

FILTRAZIONE
FILTRATION
STAUFF



 HYDRAULIC
COMPONENTS
& FLUID CONTAMINATION
CONTROL



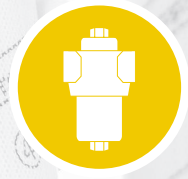
All trademarks belong to their respective owners; third party trademarks, product names, trade names, corporate names and company names mentioned may be trademarks of their respective owners or registered trademarks of other companies and are used for instructional purposes and for the benefit of the owner, without any end of Copyright infringement in force.

Tutti i marchi riportati appartengono ai legittimi proprietari; marchi di terzi, nomi di prodotti, nomi commerciali, nomi corporativi e società citati possono essere di proprietà dei rispettivi titolari o registrati da altre società e sono stati utilizzati a puro scopo esplicativo e a beneficio del possessore, senza alcun fine di violazione dei diritti di Copyright vigenti.

Replacement Filter Elements



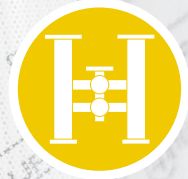
Pressure Filters



Return-Line Filters



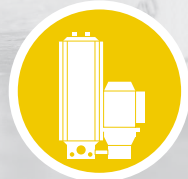
In-Line Filters



Spin-On Filters



Offline and Bypass Filters



Filtration Systems



Germany

Walter Stauffenberg GmbH & Co. KG

Im Ehrenfeld 4

58791 Werdohl

Tel.: +49 2392 91 60

Fax: +49 2392 91 61 03

E-Mail: sales@stauff.com

www.stauff.com

STAUFF products and services are globally available through wholly-owned subsidiaries and a tight network of authorised distributors and representatives in all major industrial regions of the world.

You can find detailed contact information on the last two pages of this product catalogue or at www.stauff.com.

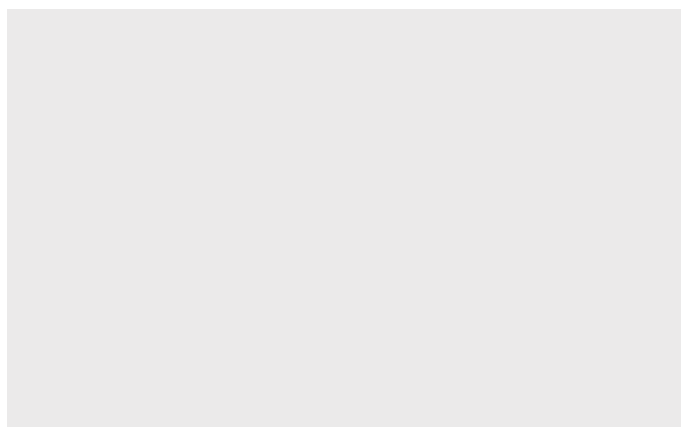
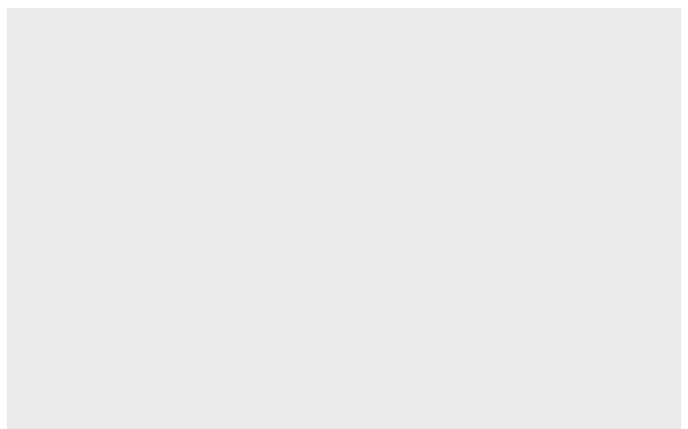
Please note: Unless otherwise stated, all data and figures in this product catalogue are approximate values and are only valid as references, which are not binding (also in respect to any third parties' rights of protection) and thus do not release the customer / user from checking and testing the suitability of the products for the foreseen purposes. Therefore, data and figures can only be used in a limited sense for construction purposes.

The application of the products is beyond the control possibilities of the manufacturer and, therefore, is exclusively subject to the responsibility of the customer / user.

In the event that a liability is nevertheless considered, any compensation will be limited to the value of the goods supplied by the manufacturer and used by the customer / user. As a matter of course, the manufacturer guarantees the perfect quality of all products in accordance with the General Terms and Conditions of Business and Sale.

Subject to modifications due to the ongoing development and improvement of the products.

With the publication of this product catalogue, previous editions are no longer valid.



| | | |
|---|------------------|----------|
| Introduction | 4 - 11 | |
| Filtration Guideline | 12 - 23 | A |
| Replacement Filter Elements | 24 - 33 | B |
| Pressure Filters | 34 - 65 | C |
| Return-Line Filters | 66 - 125 | D |
| In-Line Filters | 126 - 147 | E |
| Spin-On Filters | 148 - 177 | F |
| Offline and Bypass Filters | 178 - 205 | G |
| Filtration Systems | 206 - 209 | H |
| Appendix (Product-Specific Abbreviations / Global Contact Directory) | 210 - 215 | |





Catalogue 1 STAUFF Clamps

- Block Clamps
- Special Clamps
- Light Series Clamps
- Saddle Clamps
- U-Bolt Clamps
- Metal Clamps
- Construction Series



Catalogue 2 STAUFF Connect

- Tube Connectors
- Assembly Tools and Devices



Catalogue 3 STAUFF Flanges

- SAE Flanges
- Gear Pump Flanges



Catalogue 4 STAUFF Hose Connectors

- Hose Connectors
- High-Pressure Hose Connectors



Catalogue 5 STAUFF Quick Release Couplings

- Push-to-Connect Couplings
- Multi Couplings
- Screw-to-Connect Couplings



Catalogue 6 STAUFF Valves

- Two-Way Ball Valves
- Multi-Way Ball Valves
- Flow Control and Check Valves
- Gauge Isolator Valves





Catalogue 7
STAUFF Test

- Test Couplings
- Test Adaptors
- Test Hoses and Connectors



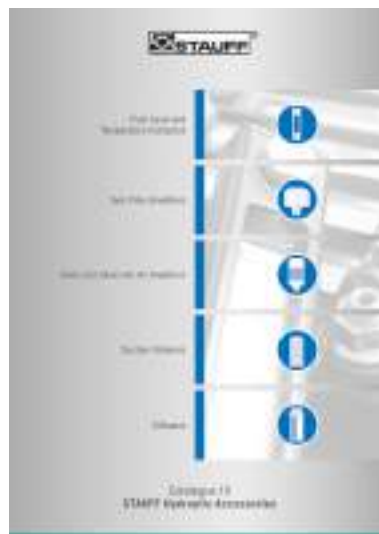
Catalogue 8
STAUFF Diagtronics

- Pressure Gauges
- Hydraulic Testers
- Oil Analysis Equipment



Catalogue 9
STAUFF Filtration Technology

- Replacement Filter Elements
- Pressure Filters
- Return-Line Filters
- In-Line Filters
- Spin-On Filters
- Offline and Bypass Filters
- Filtration Systems



Catalogue 10
STAUFF Hydraulic Accessories

- Fluid Level and Temperature Indicators
- Tank Filler Breathers
- Giant and Desiccant Air Breathers
- Suction Strainers
- Diffusors



For more than 50 years, the companies of STAUFF Group have been developing, manufacturing and distributing pipework equipment and hydraulic components for mechanical and plant engineering and for service and industrial maintenance.

In addition to mobile and industrial hydraulic machinery, typical applications also include commercial and special purpose vehicles, rail transportation and energy technology. Likewise, STAUFF products are used in marine, oil and gas applications and in the process, food and chemical industries.

The overall range currently includes about 40000 standard products as well as numerous special and system solutions according to customer's specifications or based on our in-house development.

All STAUFF products undergo relevant testing in accordance with international regulations and are governed by the high standards of the in-house quality management system. Furthermore, many items have received certifications and approvals from various international institutes, organisations and authorities who have independently confirmed the quality and performance of the products.

Wholly-owned manufacturing, sales and service facilities in 18 countries and a tight global network of authorised distribution partners ensure high presence and service paired with a maximum of availability.



Quality Management – ISO 9001:2015
Environmental Management – ISO 14001:2015
Safety Management OHSAS – 18001:2007

STAUFF LINE Components



With the seven dedicated **STAUFF Line** product groups

- **STAUFF Clamps**
- **STAUFF Connect**
- **STAUFF Flanges**
- **STAUFF Hose Connectors**
- **STAUFF Quick Release Couplings**
- **STAUFF Valves**
- **STAUFF Test**

from own, in-house development and manufacturing, the companies of the STAUFF Group provide a comprehensive range of components for fastening and connecting pipes, tubes and hoses for mobile and industrial hydraulic applications and many other industries.

The portfolio is completed by components for shutting-off, regulating, throttling and measuring fluid media.

In order to perfectly match each other, STAUFF Line products are designed and offered on a high, uniform level of quality. A large proportion of the range made from steel comes as standard with the premium STAUFF Zinc/Nickel surface coating, which is also optionally available for many of the other components.

This coating offers the most reliable surface protection far beyond the previous market standards – even after transport, handling and assembly of the components – and meets all current legal requirements.

If desired, Original Equipment Manufacturers can be supported with value-added services, from **technical consultation to pre-assembly, assembly and kitting** as well as **logistics services**:

- Support with the **selection of suitable standard components** and ordering options; provision of **customised solutions** according to customer's specifications or based on our in-house development – from prototyping to large scale production
- **Analysis and optimization** of existing and design and developments of new systems aimed at increasing the efficiency and performance of machines and equipment and creating value for customers by reducing the total cost
- **Pre-assembly, assembly and kitting** of individual components to customer-specific system modules
- Individually coordinated **procurement solutions** (e.g. web shop and electronic data interchange) and **supply models** (e.g. from warehousing of customised components to Kanban logistics and just-in-time delivery of pre-fabricated system modules to the assembly lines of the customers) aimed at optimising material flows





Aligned with the needs of the market, the product groups

- **STAUFF Test**
- **STAUFF Diagtronics**
- **STAUFF Filtration Technology**
- **STAUFF Hydraulic Accessories**

include a comprehensive range of analogue and digital measuring equipment and devices, filtration systems and replacement filter elements as well as accessories for the construction of tanks, reservoirs, power packs and gear boxes in mobile and industrial hydraulics.

The offer is completed by relevant value-added services:

- Support with the **selection of suitable components** and ordering options; provision of **customised solutions** according to customer's specifications or based on our in-house development – from prototyping to large scale production
- Analysis of existing hydraulic circuits aimed at filtration systems, tank components and monitoring devices that perfectly match to the specific requirements, and developing integrated concepts to increase the efficiency and performance of machines and equipment
- Individually coordinated **procurement solutions** and **supply models**





STAUFF Filtration Technology

The STAUFF Filtration Technology product range contains an extensive product range in the areas of filtration and purification of oils and other media, which fully meets – or even exceeds – the requirements of modern service and maintenance of machines and equipment.

As an experienced manufacturer, STAUFF provides quick and direct access to a complete range of replacement filter elements for industrial liquids such as hydraulic and lubrication oils, heavy fuels, water, chemicals, coolants and other media – equal in form, fit and function to the original products while maintaining or surpassing their performance.

Flexible manufacturing lines and extensive stock-keeping in the country of destination guarantee fast reaction times and shortest delivery times.

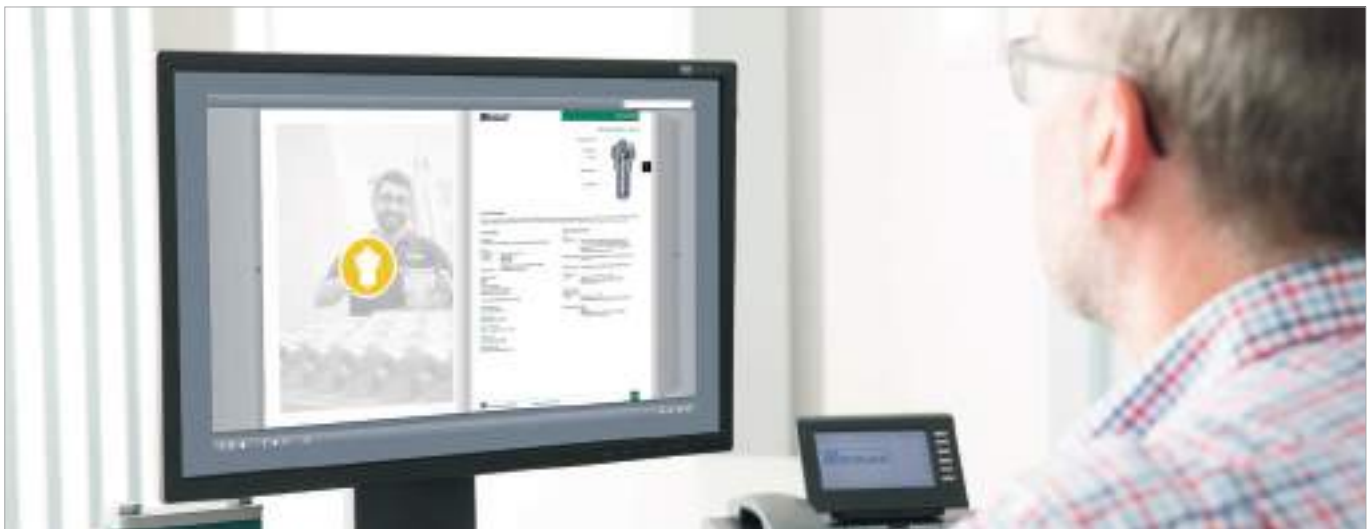
STAUFF guarantees prompt service, even for customised solutions according to customer's specifications or based on our in-house development.

STAUFF filter housings and systems can be installed in the pressure, suction or return line. They are already planned in suitable positions in the hydraulic circuit during the design phase of a machine, or added at a later stage in the course of retrofitting or upgrading.

Offline and bypass filters, which are either used as portable units or installed permanently, complete the product portfolio.







www.stauff.com/catalogues

The STAUFF online catalogue centre at www.stauff.com/catalogues provides fast and direct access to digital versions of this as well as other STAUFF product catalogues in all available languages.

Online Page-Flip Catalogues

- Easy navigation through index or the powerful full text search functionality
- Contents can be shared and forwarded by e-mail, printed or downloaded and saved in PDF file format
- Also suitable for mobile devices

Download Catalogues

- Download entire product catalogues and save them in PDF file format

Catalogue Request

- Contact form to request printed copies of the product catalogue as well as digital copies on USB stick

The fastest way to the online page-flip catalogue:

The links that can be found at the bottom edge of all pages of this product catalogue will lead you directly to the corresponding page in the online page-flip catalogue.

In doing so, contents can be searched, shared and forwarded by e-mail, printed or downloaded and saved in PDF file format.

Scan the QR code next to the direct link with the camera of your mobile device* and also use the functions in this way.

* may require a suitable app





www.stauff.com

General information about the companies of STAUFF Group, latest business and product news as well as complete global contact details

www.stauff.com/cad

Immediate access to and free download of 3D models and 2D drawings for a growing number of STAUFF products

www.filterinterchange.com

Online database for the quick and easy identification and interchange of almost all common brands and types of replacement filter elements

Follow STAUFF and keep yourself updated:



Facebook
www.facebook.com/stauffgroup



Twitter
www.twitter.com/stauffgroup



LinkedIn
www.linkedin.com/company/stauff



Youtube
www.youtube.com/stauffgroup





| | |
|---|----------------|
| Filtration Guideline | 12 - 23 |
| Filtration - Why? | 15 |
| Contamination | 15 |
| STAUFF Filter Components | 16 - 17 |
| Test Standards and Oil Purity | 18 |
| Short & Curt: Filter Rating | 19 |
| β -Value and Separations Efficiency | 19 |
| Filtration Terminology | 20 - 21 |
| Choice of Filters / Examples of Calculation | 22 - 23 |



A





Filtration - Why?

Good hydraulic filtration is gaining more and more importance in the use of hydraulic systems.

Reducing contamination in the hydraulic system will reduce the wear of the components and thus extend the service life of the machine. This will prevent production downtime and lower the overall production costs.

Right from the beginning, there is contamination in a new hydraulic system, which reduces the service life of the system and its components such as valves and cylinders without any or with inadequate filtration.

This built-in dirt is created during the manufacturing of the components and mainly consists of coarse particles.

In addition to the contamination that arises during operation of the system, e.g. abrasive wear, dirt particles can also get into the system when it is filled with hydraulic oil. This is called ingress contamination.

Choosing the right filter contributes significantly to prevent the dangers mentioned above thereby ensuring efficient operation even after many years.

Reduction of Contamination

- Extension of service life
- Extension of maintenance intervals
- Reduction of machine downtime
- Reduction of environmental pollution

► Cost savings for the user

Contamination

Particle Sizes (Selection)

- 100 µm table salt, fine sand
- 75 µm diameter of a human hair
- 60 µm flower pollen
- 50 µm fog
- **30 µm (from approx.) resolution of the human eye**
- 15 µm fine particles
- 7 µm red blood cells
- 2 µm bacteria
- 1 µm layer of lubricating film (for comparison)

Type of Contamination

The most frequent ones are:

- Solid particles
- Free and dissolved water
- Non-dissolved air

A majority of the contamination can be removed with filtration.

Origin of Contamination

The main cause of failures and downtimes is dirt in the hydraulic system.

Failure analysis indicate that 80% of the failures are caused by faults in the hydraulic system. 90% of them are caused by impurities in the hydraulic oil.

Sources of External Contamination

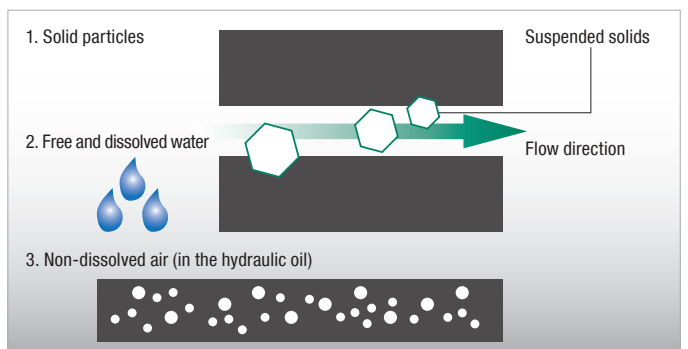
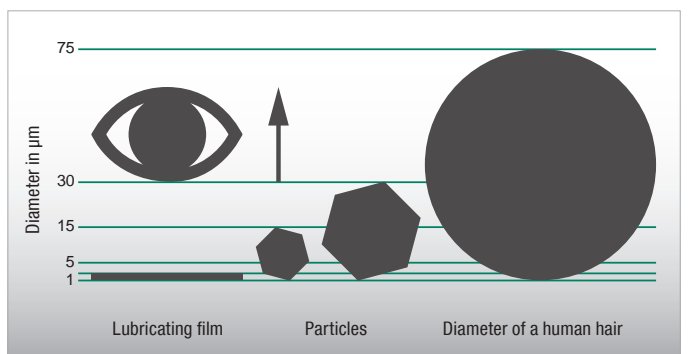
- Filling and refilling the hydraulic tank
- Inadequately dimensioned breathers
- Damaged tank seals
- Replacement of hydraulic lines and components (pumps, cylinders)
- Impurities in the air

Types of Internal Contamination

- Contamination on / in the components caused by the manufacturing process (e.g. chips)
- Contamination on the components caused by the installation of the components

Sources of Internal Contamination

- Disintegration of particles from high pressure changes and tension on the surface of hydraulic components (e.g. cavitation)
- Material erosion that occurs at places in the hydraulic units due to the impact of pressurised liquid at high speeds (erosion wear)



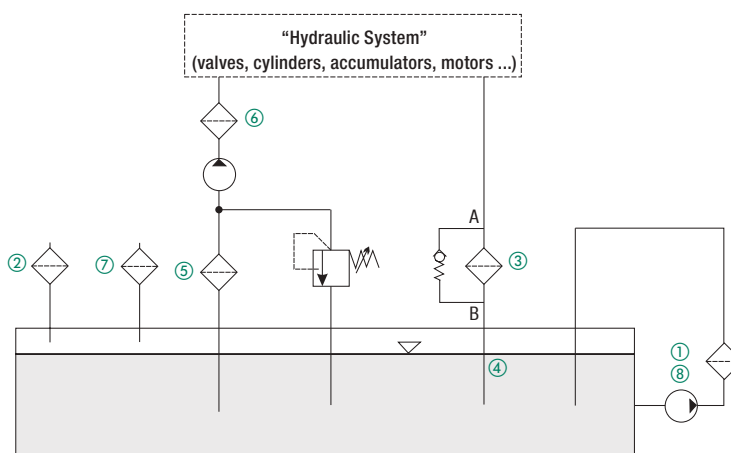
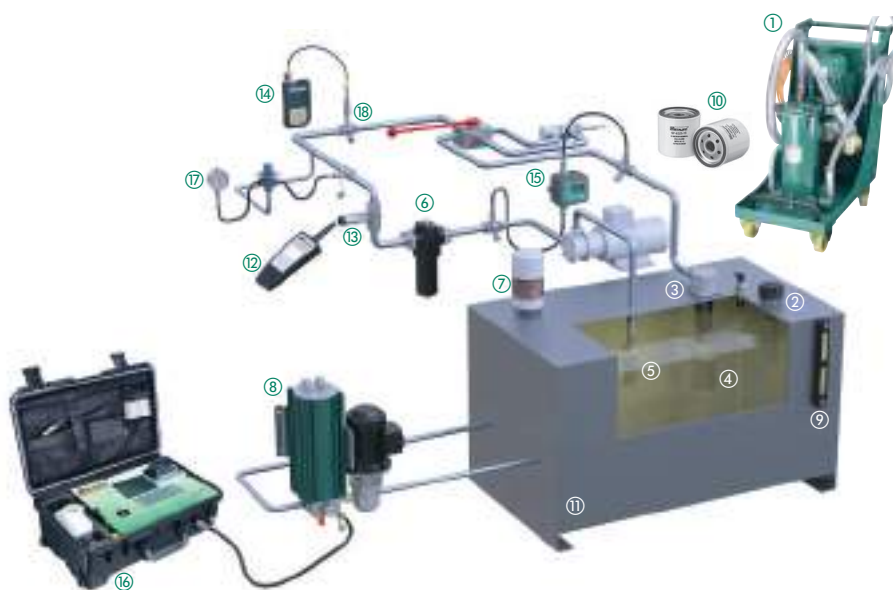
A



STAUFF Laser Particle Counter
LasPaC-II and Bottle Sampler

Selection of Components within the Hydraulic Circuit

- ① STAUFF Mobile Filter System **SMFS-U**
- ② STAUFF Plastic Filler Breather **SPB**
- ③ STAUFF Return-Line Filter **RF**
- ④ STAUFF Diffusor **SRV**
- ⑤ STAUFF Suction Strainer **SUS**
- ⑥ STAUFF Pressure Filter **SF**
- ⑦ STAUFF Desiccant Air Breather **SDB**
- ⑧ STAUFF Offline Filter **OLS**
- ⑨ STAUFF Level Gauge **SNA**
- ⑩ STAUFF Spin-On Filter **SSF**
- ⑪ Oil tank
- ⑫ STAUFF Reader **PT-RF**
- ⑬ STAUFF Pressure Transmitter **PT-RF**
- ⑭ STAUFF Hydraulic Tester **PPC**
- ⑮ STAUFF Particle Monitor **LPM-II**
- ⑯ STAUFF Laser Particle Counter **LasPac-II**
- ⑰ STAUFF Pressure Gauge **SPG**
- ⑱ STAUFF Test Coupling **SMK / SKK**



STAUFF Filter Components
A

Pressure Filters Series SF / SF-TM / SFZ / SFA / SMPF (see page 34 - 35)

Pressure Filters ⑥ are placed behind the pump and clean the hydraulic oil before it flows through down-stream components like valves, cylinders and so on. The main reason for pressure filtration is the protection of downstream, sensitive components.

Eroded particles from the pump are immediately filtered out of the hydraulic oil. Besides working as a protection filter, Pressure Filters also help to maintain the required purity class.

Because it is placed right behind the pump, a Pressure Filter has to withstand the maximum system pressure. The filter element in the Pressure Filter also has to withstand the loads and is more intricately constructed, for example as a Return-Line Filters element.


Return-Line Filters Series RF / RFA / RFB / RFS / RTF (see page 66 - 125)

Return-Line Filters ③ are installed in the Return-Line, on top of or within the oil tank. They filter the hydraulic oil before it flows back into the reservoir. This ensures that contamination arising in the components does not get into the tank. Return-Line Filters maintain the targeted purity class like Pressure Filters. However, because of their arrangement, they do not fulfil the additional function of a protection filter. In contrast to a Pressure Filter, it only has to withstand low pressure levels.

Diffusers ④ are used in combination with Return-Line Filters and ensure that the returning oil flow is settled before it reaches the oil tank thereby preventing foaming and re-suspension of deposited dirt.

The job of **Suction Strainers** ⑤ is mainly to provide functional protection of the downstream pumps in the circulation. Suction Strainers always have to be provided if the risk of pump damage from coarse impurities is particularly high. This risk exists if impurities are collected in the tank and if they can't be filtered out afterwards. Suction Strainers are coarse filter elements with a micron rating that is usually bigger than 100 µm.


Diffusers / Suction Strainers / Filler Breathers / Desiccant Air Breathes
(see Catalogue No. 10 - Hydraulic Accessories)

Filler Breathers ② are mounted on the oil tank and prevent the entry of dirt from the surroundings during tank breathing. They should be chosen with a filter unit that is similar to the working filter (Pressure Filter, Return-Line Filter).

The replacement cycles of filter inserts is highly dependent on the surrounding conditions of the hydraulic system.

Another variant of the breather is the **Desiccant Air Breather** ⑦. The additional function of this filter is dehumidification of the inflowing air with a special silicate gel.


Offline and Bypass Filters / Mobile Filter Units
(see page 178 - 209)

Offline / Bypass Filters ⑧ / ① are not part of the main hydraulic system. They are supplementary to achieve the best possible filtration results. Because of the high efficiency of the Offline / Bypass Filters, purity levels are reached that cannot be achieved with conventional main filter systems.

Offline Filters work with an integrated motor / pump unit that draws in the fluid from the system, filters it and then feeds it back into the tank. Because the offline filter is independent from the hydraulic main circuit, i.e. it can still be operated if the hydraulic system is switched off, it is used in practice for continuous cleaning of the tank.

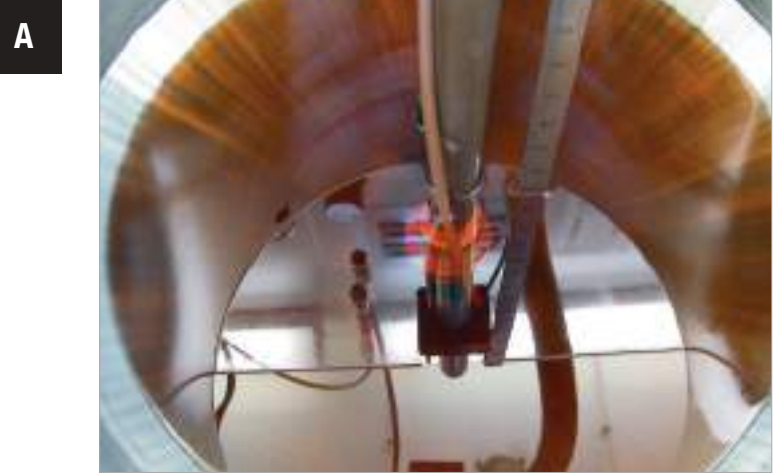
Bypass Filters on the other hand use the existing system pressure to draw a small volumetric flow out of the hydraulic system for filtration. They are only active while the unit is in operation.

Another mobile variant of the bypass filter is the **Mobile Filter System** ①.


Spin-On Filters (see page 148 - 177)

STAUFF provides a complete range of **Spin-On Filters** ⑩ which can be used either as Suction Filters or as Return-Line filters for low pressure applications.





Test Standards and Oil Purity

Definition of the Required Micron Rating

Essentially, the components found in the hydraulic system determine the micron rating of the filtration system.

To guarantee a reliable mode of operation over the years, it is mandatory to maintain the optimum oil purity class for specific components.

The most sensitive component determines the choice of filter material and micron rating.

To determine the oil purity according to ISO 4406 (1999), a laser particle counter is used to count particles that are $>4 \mu\text{m}_{(c)}$, $>6 \mu\text{m}_{(c)}$ and $>14 \mu\text{m}_{(c)}$ in 100 ml of hydraulic oil. The number of particles is then assigned with a classification number (e.g. 14/11/8) that then corresponds to the ISO purity class. Please note here that the number of particles doubles for the next higher class. The cleanliness level that has to be achieved is an important criterion for choosing the right filtration system.

STAUFF Filter Elements are subject to the following Test Methods

- ISO 2941 Collapse and burst resistance
- ISO 2942 Verification of fabrication integrity (bubble point test)
- ISO 2943 Compatibility with hydraulic media
- ISO 3723 End load test
- ISO 3724 Flow fatigue characteristics
- ISO 3968 Flow characteristics
- ISO 16889 Filtration performance test (multi-pass method)

| Number of particles in 100 ml fluid | | Classification numbers ISO 4406 (1999) | | |
|-------------------------------------|-----------|--|-------------------------|--------------------------|
| More than | Less than | $> 4 \mu\text{m}_{(c)}$ | $> 6 \mu\text{m}_{(c)}$ | $> 14 \mu\text{m}_{(c)}$ |
| 16000000 | 32000000 | 25 | 25 | 25 |
| 8000000 | 16000000 | 24 | 24 | 24 |
| 4000000 | 8000000 | 23 | 23 | 23 |
| 2000000 | 4000000 | 22 | 22 | 22 |
| 1000000 | 2000000 | 21 | 21 | 21 |
| 500000 | 1000000 | 20 | 20 | 20 |
| 250000 | 500000 | 19 | 19 | 19 |
| 130000 | 250000 | 18 | 18 | 18 |
| 64000 | 130000 | 17 | 17 | 17 |
| 32000 | 64000 | 16 | 16 | 16 |
| 16000 | 32000 | 15 | 15 | 15 |
| 8000 | 16000 | 14 | 14 | 14 |
| 4000 | 8000 | 13 | 13 | 13 |
| 2000 | 4000 | 12 | 12 | 12 |
| 1000 | 2000 | 11 | 11 | 11 |
| 500 | 1000 | 10 | 10 | 10 |
| 250 | 500 | 9 | 9 | 9 |
| 130 | 250 | 8 | 8 | 8 |
| 64 | 130 | 7 | 7 | 7 |
| 32 | 64 | 6 | 6 | 6 |
| 16 | 32 | 5 | 5 | 5 |





STAUFF Laser Particle Counter
LasPaC-II, LPM-II
and Bottle Sampler

Short & Curt: Filter Rating

(For exact recommendation see SCCP - STAUFF Contamination Control Program see on page 15)

| Type | Component | ISO 4406 Code | Recommended Filter Rating |
|----------|--|---------------|---------------------------|
| Pump | Piston Pump (Slow Speed, Inline) | 22/20/16 | 20 µm |
| | Gear Pump | 19/17/15 | 20 µm |
| | Vane Pump | 18/16/14 | 5 µm |
| | Piston Pump (High Speed, Variable) | 17/15/13 | 5 µm |
| Motor | Gear Motor | 20/18/15 | 20 µm |
| | Vane Motor | 19/17/14 | 10 µm |
| | Radial Piston Motor | 19/17/13 | 10 µm |
| | Axial Piston Motor | 18/16/13 | 5 µm |
| Valve | Directional Valves (Solenoid) | 20/18/15 | 20 µm |
| | Check Valves | 20/18/15 | 20 µm |
| | Logic Valves | 20/18/15 | 20 µm |
| | Cartridge Valves | 20/18/15 | 20 µm |
| | Pressure Control Valves (Modulating) | 19/17/14 | 10 µm |
| | Flow Control Valves | 19/17/14 | 10 µm |
| | Standard Hydraulic <100 bar / <1450 PSI | 19/17/14 | 10 µm |
| | Proportional Valves | 18/16/13 | 5 µm |
| | Servo Valves <210 bar / <3045 PSI | 16/14/11 | 3 µm |
| | Servo Valves >210 bar / >3045 PSI | 15/13/10 | 3 µm |
| Actuator | Cylinder | 20/18/15 | 20 µm |

β-Value and Separations Efficiency

To select filtration that meet the requirements, performance characteristics like the filter fineness, the filtration efficiency, the dirt-hold capacity and the pressure loss has to be observed.

The β-value as per ISO 16889 is the relevant characteristic value for the filtration efficiency. The β-value is the ratio of particles before (N_{up x}) and after (N_{down x}) the filter related to a specific particle size x.

$$\beta_x = \frac{N_{up\ x}}{N_{down\ x}}$$

β₁₀ > 200 means that of 1000 particles that are 10 µm in size, only five particles can pass through the filter. 995 particles will be trapped by the filter element.

Popular filters with inorganic glass fibre medium have to achieve a β-value of at least 200 in order to meet the demands placed on hydraulic filtration today.

The filtration efficiency, also called the retention rate, is directly related to the β-value and is calculated as follows:

$$E = \frac{(\beta_x - 1)}{\beta_x}$$

β₁₀ > 200 corresponds to filtration efficiency of 99,5%.

Comparison of the β-Value and Efficiency E (each related to a defined Particle Size)

| β-value | Filtration Efficiency E |
|---------|-------------------------|
| 1 | 0,00 % |
| 2 | 50,00 % |
| 10 | 90,00 % |
| 25 | 96,00 % |
| 50 | 98,00 % |
| 75 | 98,67 % |
| 100 | 99,00 % |
| 200 | 99,50 % |
| 1000 | 99,90 % |
| 9999 | 99,99 % |

The **dirt-hold capacity** (DHC) shows how much solid dirt a filter element can hold before it has to be replaced. The dirt-hold capacity is therefore the most important parameter in the filter service life.

The **differential pressure** (Δp) is another important criterion for the configuration of the filter. Ensure that the size of the filter element is chosen according to the calculation guideline by STAUFF.

To guarantee optimum filtration, the β-value, the dirt-hold capacity (DHC) and the differential pressure (Δp) must be carefully matched.



Filtration Terminology

β-value

The β-value as per ISO 16889 is the relevant characteristic value for filtration efficiency. The β-value is the ratio of particles before ($N_{up\ x}$) and after ($N_{down\ x}$) the filter related to a specific particle size x.

$$\beta_x = \frac{N_{up\ x}}{N_{down\ x}} \quad (\text{see page 19})$$

Cavitation Damage

Cavitation is defined to be the cavity formation in liquids. Cavitation occurs if the local static pressure of a liquid drops below a critical value. This critical value usually corresponds to the vapour pressure of the liquid. Critical effects of cavitation are:

- Cavitation wear
- Undissolved gas in the hydraulic system
- Loud high-frequency noises
- Local high temperatures in the liquid
- Changes to the resistance characteristics of the hydraulic resistance

Cleanliness Level

The cleanliness level of a hydraulic fluid is defined by the number of solid particles per ml of fluid. The number of particles is usually measured with an automatic particle counter. The cleanliness level is determined by a class code created by counting the number of particles of different sizes.

Particle counting as well as the coding of the cleanliness class for hydraulic oils are described in the ISO 4406 (1999) standard. Beside the ISO 4406 (1999), NAS 1638 (1964) and SAE AS4059 Rev. D (2001) are also still common.

Clogging Indicator

The clogging indicator signals a specific pressure level where the soiled filter element should be replaced. They work with differential pressure (Δp) or back pressure. Clogging indicators are available in visual, electrical and visual / electrical versions. While it is the responsibility of the installation or maintenance personnel to check the degree of clogging of the filter element with visual clogging indicators, a signal contact (switch) can be connected to the machine controller with an electrical or visual / electrical clogging indicator.

Collapse Pressure

The permissible collapse pressure according to ISO 2941 is understood to be the pressure difference that a filter element can withstand with the stipulated direction of flow. Exceeding the collapse pressure results in the destruction of the filter element.

Depth Filter

Impurities penetrate into the filter fabric and are retained by the structure of the filter fabric. Mainly cellulose and inorganic glass fibre media are used in hydraulic filters. For special applications, Plastic Media (high-strength) and Stainless Fibre media are also used. The design of the depth filter combines the highest micron rating with a high dirt retention capacity. Due to the fleece-like structure of depth filters, particles are not only separated on the surface of the filter material, but they can penetrate into the filter material, which leads to a considerable increase of the effective filter area. In contrast to sieves, there are no holes in fleece, rather they practically consist of labyrinths in which the particles are trapped. Hence, there is no sharply defined screening, rather a wide range of particles are trapped.

Differential Pressure

The differential pressure (Δp) is defined as the pressure difference between the filter inlet and the filter outlet, or alternatively in front of and behind the filter element.

Exceeding the maximum permissible pressure differential leads to the destruction of the filter element.

An integrated bypass valve in the filter prevents destruction of the filter element by opening if the differential pressure (Δp) is too high. Then the oil is passed unfiltered into the hydraulic circuit. For applications in which no unfiltered oil is allowed to pass into the hydraulic circuit, there is the possibility of using filters without bypass valves with filter elements that can withstand a high differential pressure (Δp). The filter elements must be designed such that they can withstand the maximum expected differential pressure (Δp).

Dirt-Hold Capacity (DHC)

The dirt-hold capacity (DHC) shows how much solid dirt a filter element can hold. It is measured in the multipass test according to ISO 16889.

Filter

A filter (hydraulic filter) has the job of keeping solids out of a liquid (oil). A filter is usually made of an filter housing and a filter element.

Filter Area

The filter area is the size of the theoretically spread-out filter element. The larger the filter area, the lower the flow resistance of the filter element. Simultaneously, the dirt-hold capacity (DHC) increases. The following applies in general: the larger the filter area, the longer the service life of the element. Basically the filter area can be enlarged by the number of pleats.

Filter Cake

A filter cake is made up of the particles trapped on the surface of a filter medium.

Filter Design

Essentially depends on the following factors: specific flow rate, cleanliness level, amount of contamination, the maximum pressure setting and the required filter service life.

Filter Element

The filter element is located in the filter housing and performs the actual filtering task.

Filtration Efficiency

Filtration efficiency E is a measure of the effectiveness of a filter element for separating solid particles. It is given in percent.

Filter Housing

Depending on the application, the filter housing is built into the pressure or Return-Line and must be designed for the specific operating or system pressure and the flow rate. The filter element is located in the filter housing. Depending on the application, the filter housing may be equipped with a bypass valve, a reversing valve, a clogging indicator and other options.

Filter Material

The choice of the right filter material is dependent on different criteria. Amongst others, this includes the type of application, the filter function, degree of contamination or alternatively the required dirt-hold capacity (DHC) as well as requirements of chemical or physical resistance. The following list gives you an overview of how these filter materials differ with regard to specific properties:

Inorganic Glass Fibre

Inorganic Glass Fibre media are among the most important materials in modern filtration. During production, selected fibres (1 mm ... 5 mm long and with a diameter of 3 μm ... 10 μm) are processed into a specific mix. The manufacturing process is very similar to paper production. The fibres are bound with a resin and impregnated. The benefit compared to cellulose paper is a fibre structure that is considerably more homogenous and consequently has larger open pored surfaces. As a result, lower flow resistance is achieved.

- Based on Glass Fibres with acrylic or epoxy resin binding
- High retention and dirt-hold capacity (DHC)
- Excellent separation efficiency of the finest particles due to the three-dimensional labyrinth structure with depth filtration
- Outstanding price / performance ratio



Filter Material (Continuation)

Polyester

- 100% Polyester Fibres with thermal bonding
- High pressure differential resistance
- Good chemical resistance
- High separation efficiency of the finest particles
- Tear-proof structure

Cellulose

- Filter material made of Cellulose Fibres with special impregnation
- Variants with the lowest price with good dirt retention capacity
- Not suitable for water based media

Stainless Fibre

- Sintered Stainless Fibres with three-dimensional labyrinth structure for depth filtration
- Low flow resistance with high dirt-hold capacity
- Excellent chemical and thermal resistance

Stainless Mesh

Filter elements with a Metal Wire Mesh are often used as a conditionally reusable solution in protection filters, Suction-Line Filters or Return-Line Filters. Depending on the requirements (micron rating, pressure, dynamics) different types of mesh are used like twill, linen, or also Dutch weave.

- Wire mesh fabric made of material 1.4301 or 1.4305 for surface filtration (other material on request)
- Low flow resistance due to large-pored screening surface
- Excellent chemical and thermal resistance
- Cleanable under special conditions

Flow Rate

This is the amount of fluid that flows past a specific cross-section per unit time. It is given in litres per minute (l/min) or gallons per minute (US GPM).

Hydraulic Fluid

A pressure liquid is defined to be a fluid used in hydraulic and lubrication systems. According to ISO 6743, the fluids are divided into mineral oil based, flame resistant and biodegradable liquids.

Micron Rating

Regarding micron rating, we must differentiate between the filter materials that are used. To define the micron rating for Inorganic Glass Fibre filter elements, the β -value as per ISO 16889 is commonly used.

Absolute and Nominal micron rating

Micron rating is the size of particles which are filtered out by filters at a certain efficiency. When this efficiency is at least 99.5%, we speak about absolute micron rating/filtration.

Nominal micron rating is just a commercial trick for all efficiencies lower than 99.5%, meaning that for the same micron rating (for ex. 5 μm) in the case of nominal rating, not all particles will be captured in the filter as in the case of absolute micron rating.

Multipass Test

The Multipass Test evaluates the performance of a filter element. Standardised in ISO 16889-2008, this test allows comparable and repeatable results of the elements performance. If a normal filter element life is between a few weeks up to several months, this test reduces this life down to 90 minutes. The element is subjected to a fluid that a large amount of a special test dust ISO MTD contains. Results are given for the β -ratio, dirt-hold capacity (DHC) and differential pressure. It is used for designing hydraulic circuits, developing new filter materials and comparison of different filter elements.

See also page 18 and page 19 to get more information about the outcome data. In former time this test was also known as the Multipass Test ISO 4572.

Nominal Flow Rate

The nominal flow rate describes the flow rate or the volumetric flow rate for which the respective filter has been designed. It is usually given in litres per minute (l/min) or US Gallons per minute (US GPM) and is an important parameter in the filter design.

Nominal Pressure

Pressure for which the filter is designed and which it can be identified with.

Operating Pressure / System Pressure

Maximum pressure with which the filter may be used.

Surface Filter

Impurities are separated on the surface of the filter element. Surface filters are designed to have uniform pores (gaps), therefore they can almost completely retain specific particle sizes. Surface filters are made of Metal Wire Mesh or Cellulose materials.

Other surface filters are metal-edge filters.

Valve

Bypass Valve

A bypass valve is a valve that is integrated in a filter or filter element and allows the oil to bypass the contaminated filter element if a defined pressure differential is exceeded. Bypass valves are used to protect the filter element.

Non-Return Valve

It prevents the continuation line from draining while the filter element is changed.

Reverse Flow Valve

It is used to bypass the filter element for reversible oil flow so that the fluid does not pass through the filter element in the reverse direction.

Multi-Function Valve

A combination of bypass, reverse flow and non-return valve.

Viscosity

The viscosity of a fluid describes the flow behavior of a liquid. There are the kinematic viscosity ν with the unit "m²/s" and the dynamic viscosity η with the unit "Ns/m²". In the field of filtration, in the design of filters the kinematic viscosity is required for calculating. The kinematic viscosity ν can also be calculated with the dynamic viscosity η and density ρ :

$$\nu = \frac{\eta}{\rho}$$

The kinematic viscosity unit is "mm²/s", before it was called centistokes or Stokes (1 cSt = 1 mm²/s = 10⁻⁶ m²/s). The unit of dynamic viscosity is "Ns/m²", it was previously reported in Poise (10 P = 1 Ns/m² = 1 Pa s).



A

Choice of Filters

Choice of a Suitable Micron Rating

Generally, the type of components incorporated in the hydraulic system will determine the micron rating required. It has been clearly demonstrated that system components will operate reliably for years if a specific minimum oil cleanliness grade is maintained. Frequently the choice will be determined by the most sensitive component in the system.

a) Operating Filter

To get a rough, first rating of what filter is needed to assure a certain oil cleanliness grade please have a look at page 19.

Apart from the specific flow rate (l/min per cm² of filter area), other factors such as operating environment and condition of seals and breathers can have an effect on the cleanliness grade which can actually be achieved.

b) Protective Filter

Occasionally, protective filters are fitted downstream of major components, e.g. the pump, to collect the debris in case of a catastrophic failure. This avoids total stripping and flushing of the system. For economic reasons, protective filters are normally one grade coarser than the operating filters since they do not significantly contribute to the cleaning of the system and this extends filter service intervals.

Choice of the Optimum Filter

In selecting the filter, the following information must be considered:

- Maximum flow volume (Q_{max}) through the filter including surge flows
- Kinematic viscosity (ν) of the fluid in mm²/s (cSt) at cold start temperature and operating temperature
- Density ρ of the fluid
- Micron rating (μ m): see table on page 19
- Filter material

The aim is to choose a filter whose total differential pressure (Δp) is not higher than $\Delta p_{max} = 1,0$ bar (for Pressure Filters) or $\Delta p_{max} = 0,5$ bar (for Return-Line filters), in a clean state at the normal operating temperature. These values have been proven in practice to give the optimum service life for the element.

The nominal flow volume of the filter is the obvious reference value for pre-selection and this should be larger than the flow to be filtered.

$$Q_{nom} > Q_{max}$$

Calculations based on the filter data will verify whether the pre-selected filter meets the requirements, at operating temperatures:

$$\begin{aligned} \Delta p_{max} &\leq 1,0 \text{ bar (for Pressure Filter)} \\ \Delta p_{max} &\leq 0,5 \text{ bar (for Return-Line Filter)} \end{aligned}$$

The total differential pressure of the assembly Δp_{Assy} is calculated by adding the differential pressure of the housing Δp_{Hous} and that of the element Δp_{Elem} . Both the kinematic viscosity and density of the operating medium should be considered for the selection, as the flow curves on the pages following have been determined with a kinematic viscosity of $\nu = 30$ cSt and a density of $\rho = 0,86$ kg/dm³. The values of the pressure drops for the Δp_{Hous} and the Δp_{Elem} can be read from the flow curves on the pages following. The values for the kinematic viscosity in cSt and the density in kg/dm³ should be inserted into the following formula:

$$\Delta p_{Assy} = \frac{\rho}{0,86} \cdot \Delta p_{Hous} + \frac{\rho}{0,86} \cdot \frac{\nu}{30} \cdot \Delta p_{Elem}$$

The filter size is suitable if the $\Delta p_{Assy} < \Delta p_{max}$. If the calculated Δp_{Assy} is higher than Δp_{max} select the next larger filter size and re-calculate until a satisfactory solution is found.

The following two examples explain and help to understand the procedure of calculating a filter.

Examples of Calculation

Example 1: Selection Pressure Filter

System Information: A Pressure Filter with an Inorganic Glass Fibre element is required immediately after the pump. The system has standard components and is operating at pressures up to 200 bar. The filter shall be fitted with a bypass valve and a visual clogging indicator.

For better understanding only the calculation at the upper temperature is carried out.

| | | |
|-------------|-------------------------------|-----------------------------------|
| Data given: | Q_{max} : | 100 l/min |
| | Oil type: | ISO 68 |
| | Temperature max.: | +50°C |
| | Viscosity $\nu_{operating}$: | 44 mm ² /s |
| | Density ρ : | 0,882 kg/dm ³ |
| | Micron rating: | 10 μ m (see table on page 19) |

First Step

Pre-selection of the size: SF-045, $Q_{nominal} = 160$ l/min $> Q_{max}$

Pressure drop values (at viscosity of 30 mm²/s) from the flow characteristics:

$$\begin{aligned} \Delta p_{Hous} &= 0,15 \text{ bar} && \text{(SF-045 ... , see page 40)} \\ \Delta p_{Elem} &= 0,77 \text{ bar} && \text{(SE-045-G-10-B/4, see page 40)} \end{aligned}$$

Determination of the correction factor:

$$\Delta p_{Assy} = \frac{0,882}{0,86} \cdot 0,15 \text{ bar} + \frac{0,882}{0,86} \cdot \frac{44}{30} \cdot 0,77 \text{ bar}$$

$$\Delta p_{Assy} = 1,31 \text{ bar} \geq \Delta p_{max} = 1,0 \text{ bar}$$

Since the actual pressure drop is larger than the allowed pressure drop, a larger filter has to be chosen.

Second Step

Selection of the next larger filter size: SF-070, $Q_{nominal} = 240$ l/min $> Q_{max}$

$$\begin{aligned} \Delta p_{Hous} &= 0,15 \text{ bar} && \text{(SF-070 ... , see page 40)} \\ \Delta p_{Elem} &= 0,45 \text{ bar} && \text{(SE-070-G-10-B/4, see page 40)} \end{aligned}$$

$$\Delta p_{Assy} = \frac{0,882}{0,86} \cdot 0,15 \text{ bar} + \frac{0,882}{0,86} \cdot \frac{44}{30} \cdot 0,45 \text{ bar}$$

$$\Delta p_{Assy} = 0,83 \text{ bar} \leq \Delta p_{max} = 1,0 \text{ bar}$$

In a clean state, this filter fulfills the requirements and is suitable for the application. The correct filter designation would be **SF-070-G-10-B-T-G20-B-V**.



Example 2: Selection Return-Line Filter

System Information: A Return-Line filter with a Cellulose element with a micron rating of 10 µm is required to clean the oil. No logging indicator is required.

Please note: If the system incorporates either accumulators or cylinders, the return flow can dramatically exceed pump flow and the maximum surge flow should be the flow used to calculate the pressure drop through the filter.

| | | |
|-------------|--------------------------------------|------------------------------|
| Data given: | Q_{\max} : | 100 l/min |
| | Oil type: | ISO 68 |
| | Temperature max.: | +60°C |
| | Viscosity $\nu_{\text{operating}}$: | 29 mm ² /s |
| | Density ρ : | 0,882 kg/dm ³ |
| | Micron rating: | 10 µm (see table on page 19) |

First Step

Pre-selection of the size: RF-030, $Q_{\text{nominal}} = 110 \text{ l/min} > Q_{\max}$

Pressure drop values (at viscosity of 30 mm²/s) from the flow characteristics:

$$\begin{aligned} \Delta p_{\text{Hous}} &= 0,30 \text{ bar} && (\text{RF-030 ... , see page 72}) \\ \Delta p_{\text{Elem}} &= 0,067 \text{ bar} && (\text{RE-030-N-10-B, see page 72}) \end{aligned}$$

Determination of the correction factor (see page 22):

$$\Delta p_{\text{Assy}} = \frac{0,882}{0,86} \cdot 0,30 \text{ bar} + \frac{0,882}{0,86} \cdot \frac{29}{30} \cdot 0,067 \text{ bar}$$

$$\Delta p_{\text{Assy}} = 0,37 \text{ bar} \leq \Delta p_{\max} = 0,5 \text{ bar}$$

In a clean state, this filter fulfills the requirements and is suitable for the application. No further calculation is necessary. The correct filter designation would be **RF-030-N-10-B-G16**.





Filter Elements 24 - 33



Filter Material – Quality And Properties 26



For Return-Line Filters 27



For Pressure Filters 27



For Spin-On-Filters 28



For Suction Strainers 28

Interchanging STAUFF Filter Elements 29

Order Codes



Special Filter Element Solutions 30

Checklist for the selection of filter housings 31



Filter Elements 32 - 33
For Single, Double and Automatic Filters

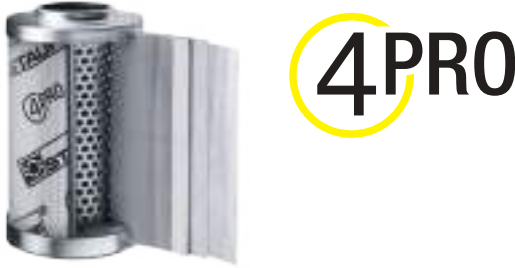


Replacement Filter Elements for Applications involving Hydraulic and Lubrication Oils

The STAUFF 4PRO Glass Fibre Elements

The PLUS for customers:

- Longer operating times through higher dirt holding capacity
- Improved energy efficiency through lower differential pressure
- Excellent β values and outstanding β stability



The 4Pro stands for 4 pros that characterise STAUFF glass fibre materials:

- **proACTIVE**
- **proGRESSIVE**
- **proFESSIONAL**
- **proTECTION**

Or simply: **Fo(u)r Protection**

In terms of the β value, STAUFF elements have always exhibited excellent performance. For those who take filtration seriously, there's no other valid approach – the measured values must hold up under any inspection. The elements cannot afford any vulnerabilities. The new generation of elements also have excellent dirt holding capacities. Values that users have been looking for. Values that make it possible for the user to extend operating times thereby providing significant reductions to purchasing costs for elements as well maintenance costs.

Protecting Filter Elements Against Direct Flow Impact

The sensitive filter bellows on filter elements are frequently prone to damage during transportation, storage and filter replacement work. In addition, large particles in the flow of fluid may harm the filter material.

STAUFF offers a solution: SE and RE series filter elements with protective sheath (only available for glass fibre elements). This is a thin, perforated plastic sheet that completely encases the pleats of the filter from the outside as well as making the element more stable. A further positive effect is that the volume of flow is distributed more evenly by the protective sheath, thus ensuring an efficient flow rate.

In its standard version, the foil is printed with the STAUFF 4PRO logo, eliminating any mix-up with other brands. Larger quantities can also be produced with a customised imprint on the sheath.

β value

Key evaluation criteria for filter elements using glass fibre technology are the retention rate (micron rating) the β value, the β stability, the dirt holding capacity and the initial pressure differential. These values are determined using the multipass test established by ISO 16889.

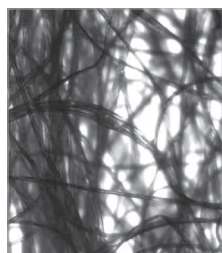
The designation for STAUFF elements typically includes a rating based on filter fineness.

| Filter designation β value > 200 according to ISO 4406 | $\beta_{(c)} > 200$ ISO 11171 | $\beta_{(c)} > 1000$ ISO 11171 |
|--|----------------------------------|-----------------------------------|
| 03 | 4,0 $\mu\text{m}_{(c)}$ | 4,5 $\mu\text{m}_{(c)}$ |
| 05 | 5,0 $\mu\text{m}_{(c)}$ | 6,0 $\mu\text{m}_{(c)}$ |
| 10 | 8,8 $\mu\text{m}_{(c)}$ | 11,0 $\mu\text{m}_{(c)}$ |
| 20 | 21,0 $\mu\text{m}_{(c)}$ | 23,0 $\mu\text{m}_{(c)}$ |

Filter Material – Quality And Properties

The choice of the right filter material is dependent on different criteria. Among others, this includes the type of application, the filter function, degree of contamination or alternatively the required dirt-hold capacity as well as requirements of chemical or physical resistance. Inorganic Glass Fibre, Polyester, Cellulose, Stainless Fibre Material and Stainless Steel Wire Mesh are used for hydraulic applications.

The following list gives you an overview of how these five filter materials differ with regard to specific properties:

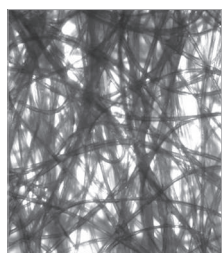


Inorganic Glass Fibre

- Inorganic Glass Fibre based on synthetic fibres with acrylic resin binding
- Large dirt-hold capacity
- Excellent separation efficiency of the finest particles due to the three-dimensional labyrinth structure with deep-bed filtration
- Outstanding price/performance ratio

Micron rating

- 3 ... 25 μm (alternative micron ratings on request)

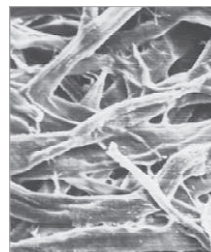


Polyester Fibre

- 100% Polyester Fibres with thermal bonding
- High pressure differential resistance
- Good chemical resistance
- High separation efficiency of the finest particle
- Tear-proof structure

Micron rating

- 3 ... 25 μm (alternative micron ratings on request)

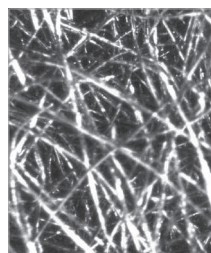


Cellulose Fibre

- Filter material made of Cellulose Fibres with special impregnation
- Variants with lowest price with good dirt-hold capacity
- Not suitable for water based fluids

Micron rating

- 10 ... 50 μm (alternative micron ratings on request)

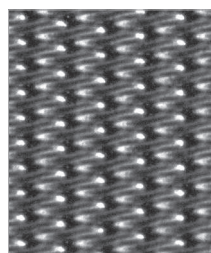


Stainless Fibre

- Sintered Stainless Fibres with three-dimensional labyrinth structure for depth filtration
- Low flow resistance with high dirt-hold capacity
- Excellent chemical and thermal resistance

Micron rating

- 3 ... 25 μm (alternative micron ratings on request)



Stainless Mesh

- Wire Mesh fabric made of material 1.4301 or 1.4305 for surface (other material on request)
- Type of weave: square weave or Dutch weave
- Low flow resistance due to large-pored screening surface
- Excellent chemical and thermal resistance

Micron rating

- 10 ... 1000 μm (alternative micron ratings on request)



Replacement Filter Elements for Applications involving Hydraulic and Lubrication Oils

Replacement Filter Element for Return-Line Filters

Filter media

- Inorganic Glass Fibre
- Polyester Fibre
- Cellulose Fibre
- Stainless Fibre
- Stainless Mesh

Micron rating

- see on page 26 Filter Materials

max. Δp^* collapse

- 10 ... 25 bar / 145 ... 362 PSI

Sealing Material

- NBR (Buna-N®)
- FKM (Viton®)
- EPDM

Bypass

- 1 ... 7 bar / 0 ... 101 PSI

End cap

- Plastic / Steel / Stainless Steel (alternative End caps on request)

Note: * Collapse / burst resistance as per ISO 2941.



B

Replacement Filter Element for Pressure Filters

Filter media

- Inorganic Glass Fibre
- Polyester Fibre
- Cellulose Fibre
- Stainless Fibre
- Stainless Mesh

Micron rating

- see on page 26 Filter Materials

max. Δp^* collapse

- 10 ... 210 bar / 145 ... 3045 PSI

Sealing Material

- NBR (Buna-N®)
- FKM (Viton®)
- EPDM

End cap

- Steel / Stainless Steel / Aluminium (alternative End caps on request)

Note: * Collapse / burst resistance as per ISO 2941.



Replacement Filter Elements for Applications involving Hydraulic and Lubrication Oils

Replacement Filter Element for Spin-On-Filters (see on Page 168 - 173)

B



max. Δp *collapse

- 5 ... 10 bar / 72 ... 145 PSI

Sealing Material

- NBR (Buna-N®)

Connection Thread

- BSP / UNF / NPT

Note: * Collapse / burst resistance as per ISO 2941.

Replacement Filter Element for Suction Strainers



Filter media

- Stainless Mesh

Micron rating

- 60, 125, 250 μ m

Flow Rate

- 12 - 400 l/min / 3.1 - 104 US GPM

Bypass

- 0,2 bar / 2.9 PSI

End cap

- Aluminium / Plastic

Connection Thread

- BSP / NPT

Note: * Collapse / burst resistance as per ISO 2941.

For details, please see Catalogue No. 10 - Hydraulic Accessories.



Interchanging STAUFF Filter Elements

As well as original Filter Elements for our own filter housings, STAUFF also provides access to a comprehensive range of Replacement Filter Elements. They match the quality and can be installed in the products of for example:

- Argo-Hytos
- Donaldson
- Eppensteiner Bosch Rexroth
- Fairey Arlon
- Hydac
- Mahle
- Internormen
- Pall
- Parker
- Other types are available on request

STAUFF offers many options for filter conversion, design and calculation and supports interested parties and customers with the design of efficient solutions:

- Online filter search with more than 65000 data sets under www.filterinterchange.com
- Offline filter database with deposited measurements, filter surfaces and drawings
- Filter selection software for easy filter design and calculation

Thanks to their excellent dirt-hold capacity, all of the filter products supplied by STAUFF have an impressive long service life and high β value stability:

- Inorganic glass fibre, filter paper, stainless fibre (micron ratings between 3 μm and 25 μm respectively) as well as stainless mesh (micron ratings between 10 μm and 1000 μm)
- Maximum differential pressure depending on filter media and application for the options 16 bar / 232 PSI, 30 bar / 435 PSI or 210 bar / 3000 PSI.

Your local STAUFF Distributor will assist you interchanging to STAUFF elements.

B

Find the suitable STAUFF replacement filter element at

www.filterinterchange.com



It's this easy:



search



enquire



save

Your advantages:

- Over 65000 datasets from various manufacturers
- Conversion for all common filter brands and types
- Watch list function for storing search results
- Request price and delivery time with enquiry history

Order Codes

RE - 045 - G - 20 - B / X - 123456

① ② ③ ④ ⑤ ⑥ ⑦

① Type

| Series | Filter Element |
|---|----------------|
| Argo-Hytos High Pressure Filter Element | SD |
| Argo-Hytos Medium Pressure Filter Element | MD |
| Argo-Hytos Return-Line Filter Element | RD |
| Argo-Hytos Suction-Line Filter Element | AD |
| Eppensteiner Bosch Rexroth High Pressure Filter Element | SS |
| Eppensteiner Bosch Rexroth Return-Line Filter Element | RS |
| Eppensteiner Bosch Rexroth Low Pressure Filter Element | LS |
| Fairey Arlon High Pressure Filter Element | SA |
| Fairey Arlon Return-Line Filter Element | RA |
| Hydac High Pressure Filter Element | SE |
| Hydac Return-Line Filter Element | RE |
| Mahle High Pressure Filter Element | SL |
| Mahle Low Pressure Filter Element | ML |
| Mahle Return-Line Filter Element | RL |
| Internormen High Pressure Filter Element | SN |
| Internormen Return-Line Filter Element | RN |
| Pall High Pressure Filter Element | SP |
| Pall Return-Line Filter Element | RP |
| Medium Pressure Filter Element according to standard | NL |
| Return-Line Filter Element according to standard | NR |
| Spin-On Filter Element | SFC |
| Special Element STAUFF | SXX |

Note: Other series on request

② Nominal Size

Depending on the nominal flow or element length

③ Filter Material and Pressure Setting

| | |
|---|-------------------|
| Stainless Fibre, high collapse pressure | A, M |
| Stainless Wire mesh, low collapse pressure | B, S |
| Polyester Fibre, high collapse pressure | C |
| Filter Paper, low collapse pressure | D, K, L, N |
| Inorganic Glass Fibre, low collapse pressure | E, G |
| Inorganic Glass Fibre, high collapse pressure | F, H |
| Stainless Wire Mesh, high collapse pressure | R, T, W |

④ Micron Rating

| Stainless Wire Mesh | |
|---------------------------|-------------|
| 10 μm | 10 |
| 20 μm | 20 |
| 25 μm | 25 |
| 40 μm | 40 |
| 50 μm | 50 |
| 60 μm | 60 |
| 80 μm | 80 |
| 100 μm | 100 |
| 125 μm | 125 |
| 150 μm | 150 |
| 200 μm | 200 |
| 500 μm | 500 |
| 1000 μm | 1000 |
| Stainless Stainless Fibre | |
| 3 μm | 03 |
| 5 μm | 05 |
| 10 μm | 10 |
| 20 μm | 20 |
| 25 μm | 25 |
| Filter paper | |
| 10 μm | 10 |
| 20 μm | 20 |
| 50 μm | 50 |

④ Micron Rating

| Inorganic Glass Fibre | |
|-----------------------|-----------|
| 3 μm | 03 |
| 5 μm | 05 |
| 10 μm | 10 |
| 15 μm | 15 |
| 20 μm | 20 |
| 25 μm | 25 |
| Polyester Fibre | |
| 3 μm | 03 |
| 5 μm | 05 |
| 10 μm | 10 |
| 20 μm | 20 |
| 25 μm | 25 |

Note: Other micron ratings on request

⑤ Sealing Material

| | |
|---------------|----------|
| NBR (Buna-N®) | B |
| FKM (Viton®) | V |
| EPDM | E |

Note: Other sealing materials on request.

⑥ Design Code

| | |
|----------------------|----------|
| Only for information | X |
|----------------------|----------|

⑦ STAUFF Special Number

| | |
|--|----------|
| If element varies from the standard type | X |
|--|----------|



Special Filter Element Solutions



Special Ammonia Filter Element



High Pressure Block with Threaded Filter Element



Special Suction Strainer



Filter Element with Bypass and Special Sealing



High Pressure Threaded Elements

Custom-designed Filter element solutions in addition to the Original-STAUFF-Filtartion Technology range according to customers specifications or based on STAUFF developments.

If you have similar requirements please contact STAUFF.



Checklist for the selection of filter housings

Please use the following Checklist as a guideline when preparing an enquiry for the selection of filter housings. Scan or copy the page from the catalogue, print and com-

plete it with as much information as possible, before sending it by email or fax to the closest STAUFF branch office. If possible, please also let us know the quantities required,

and if the enquiry is for a one-time or recurring demand. We look forward to hearing from you, and are always available for consultation, when required.

Information on the fluid in use

Type of fluid Brand ISO designation

Fluid viscosity mm²/sec cSt

Fluid temperature °C °F In cold condition In warm condition

Information on the filter housing

Position in the hydraulic system Suction line Pressure line Return line

Operating pressure bar PSI

Nominal flow l/min US GPM

Valve No, not required
 Yes, the following type: Bypass valve Non-return valve Reverse flow valve Multi-function valve

Clogging indicator No, not required
 Yes, the following type: Visual Electrical Visual-electrical

Connection type and size

Sealing material NBR (Buna®) FKM (Viton®) Other

Information on the filter element

Filter media Inorganic Glass Fibre Polyester Fibre Cellulose Fibre Stainless Fibre Stainless Mesh

Micron rating µm

Cleanliness level (to ISO 4406)

Information on the application

Information on the ambient conditions

Additional information and requirements

B



Replacement Filter Elements for Single, Double and Automatic Filters

Screw-In and Plug-In Elements ■ Type SFK

B



We produce high-quality Screw-In and Plug-In Elements in Stainless Steel design or in Plastic design. They fit into the most common single, double and automatic filters.

Length

- 220 mm ... 750 mm / 8.66 in ... 29.53 in

Diameter

- 30 mm / 1.18 in

Filter media

- Stainless Mesh

Micron rating

- 10 ... 200 µm (alternative micron ratings on request)

End cap

- Stainless Steel / Plastic

Application

- For lubricating oils, heavy fuels, water, chemicals and cooling lubricants

Star-Pleated Elements, Basket and Ring Sieves ■ Types SBS and SBK



We deliver high-quality Star- Pleated Elements, Basket and Ring Sieves in Stainless Steel design with particularly pleated filter media which offer a very good filtrate quality and aw long durability.

Length

- 95 mm ... 390 mm / 3.74 in ... 15.35 in

Diameter

- 65 mm ... 85 mm / 2.56 in ... 3.35 in

Filter media

- Stainless Mesh

Micron rating

- 10 ... 200 µm (alternative micron ratings on request)

End cap

- Stainless Steel

Application

- For lubricating oils, heavy fuels, water, chemicals and cooling lubricants

Heavy Fuel Elements ■ Type SFK-439



STAUFF Heavy Fuel Elements separate particles from the fluid flow as the last filtration step before direct injection to the engine room / combustor.

Length

- 439 mm / 17.28 in

Diameter

- 48 mm / 1.89 in

Filter media

- Stainless Mesh

Micron rating

- 6 µm or 10 µm

End cap

- Stainless Steel

Application

- Separation of particles from the fluid flow as the last filtration step before direct injection to the engine room / combustor.



Replacement Filter Elements for Single, Double and Automatic Filters

Paper, Fibreglass and Polyester Elements ■ Type SBS-124

Due to the pleated design of STAUFF Paper Elements, they can offer a large filter area in a small place and with a long durability. The cover made of Polyester allows a safe treatment during the installation and the demounting without damaging the filter media.

Length

- 254 mm, 500 mm or 750 mm / 10.00 in , 19.69 in oder 29.53 in (alternative lengths on request)

Diameter

- 124 mm / 4.88 in

Filter media

- Paper, Fibreglass and Polyester (Stainless Mesh on request)

Micron rating

- 10 µm or 50 µm (alternative micron ratings on request)

End cap

- Steel, zinc plated or Stainless Steel

Application

- Bypass and flushing filter for automatic filters and double filters in the field of lubricating oil



B

Plastic Elements ■ Types SFK-320 and SFK-445

STAUFF Plastic Elements have a special cloth and a special format which ensure the safety and the optimal protection of the motors. The molded end caps allow a quick installation and demounting as they can be easily connected.

Length

- 320 mm or 445 mm / 12.59 in oder 17.52 in

Diameter

- 19 mm ... 33 mm / 0.75 in ... 1.29 in

Filter media

- Plastic (Stainless Mesh on request)

Micron rating

- 25 µm or 31 µm

End cap

- Plastic

Application

- Pre-filter of motors



Multimantle Elements ■ Type SBM

Multimantle Elements in different types and sizes complete the STAUFF exchange program.

Length

- 128 mm ... 723 mm / 5.03 in ... 28.46 in

Diameter

- 86 mm ... 230 mm / 3.39 in ... 9.05 in

Filter media

- Stainless Mesh

Micron rating

- 10 µm ... 2000 µm

End cap






- Aluminium

Application

- Multimantle filter elements are generally used in marine applications for filtering fuels and lubricants as well as water. The elements are also used in the processing industry for purifying water, oils, coolants and chemicals.





| | | | | | | |
|---|---|----------------|--|--|---|----------------|
| | Overview Pressure Filters | 36 | | | | |
| | SF / SF-TM / SFA / SFZ / SMPF | | | | | |
|  | High Pressure Filters (Inline) SF | 37 - 40 | |  | Medium Pressure Filters (Inline) SFA | 49 - 52 |
| | Max. 420 bar / 6000 PSI | | | | Max. 160 bar / 2320 PSI | |
| | Max. 1135 l/min / 300 US GPM | | | | Max. 240 l/min / 70 US GPM | |
| | Technical Data / Dimensions | 38 - 39 | | | Technical Data / Dimensions | 50 - 51 |
| | Order Code - High Pressure Filter | 40 | | | Order Code - Medium Pressure Filter | 52 |
| | Order Code - Filter Elements | 40 | | | Order Code - Filter Elements | 52 |
| | Order Code - Filter Elements | 40 | | | Valves (for SF / SF-TM / SFA / SFZ) | 53 |
| | | | | | HV | |
|  | High Pressure Filters (Top-mounted) SF-TM | 41 - 44 | | | Clogging Indicators (for SF / SF-TM / SFA / SFZ) | 54 - 55 |
| | Max. 315 bar / 4560 PSI | | | | HI | |
| | Max. 1135 l/min / 300 US GPM | | | | Flow Characteristics | 56 - 58 |
| | Technical Data / Dimensions | 42 - 43 | | | SF / SF-TM / SFA / SFZ | |
| | Order Code - High Pressure Filter | 44 | |  | Medium Pressure Filters (Inline) SMPF | 59 - 62 |
| | Order Code - Filter Elements | 44 | | | Max. 110 bar / 1600 PSI | |
| | | | | | Max. 90 l/min / 25 US GPM | |
| | | | | | Technical Data / Dimensions | 60 - 61 |
|  | High Pressure Filters (Sandwich) SFZ | 45 - 48 | | | Order Code - Medium Pressure Filter | 62 |
| | Max. 315 bar / 4560 PSI | | | | Order Code - Filter Elements | 62 |
| | Max. 30 l/min / 8 US GPM | | | | Clogging Indicators | 63 |
| | Technical Data / Dimensions | 46 - 47 | | | HIM | |
| | Order Code - High Pressure Filter | 48 | | | Flow Characteristics | 64 |
| | Order Code - Filter Elements | 48 | | | SMPF | |
| | | | | | Checklist for the selection of filter housings | 65 |



Description

STAUFF Pressure Filters were designed for in-line mounting in hydraulic and lubrication systems. They are placed behind the pump and clean the hydraulic oil before it flows through down-stream components like valves, cylinders and so on. The main reason for pressure filtration is the protection of downstream, sensitive components. Eroded particles from the pump are immediately filtered out of the hydraulic oil. Besides working as a protection filter, Pressure Filters also help to maintain the required purity class.

Because it is placed right behind the pump, a Pressure Filter has to withstand the maximum system pressure. The filter element in the Pressure Filter also has to withstand the loads and is more intricately constructed, for example as a Return-Line filters element.

STAUFF Pressure Filters are available in many different sizes, connections and configurations.

Media Compatibility

- Mineral oils, other fluids on request

Options and Accessories

Valve

- Also available with bypass, reverse flow, non-return or multi-function valve

Clogging Indicator

- On request with visual, electrical or visual-electrical differential pressure indicator



Type SF

- High Pressure Filter designed for in-line assembly
- Threaded mounting holes on top and fluid ports on side of head
- Also available as toplayer, with bowl in two-part style

- Operating pressure: max. 420 bar / 6000 PSI
- Nominal flow rate: max. 1135 l/min / 300 US GPM
- Materials: Filter head: Spheroidal Graphite Cast Iron, Filter bowl: Cold Drawn Steel
- Connections: option of BSP, NPT, SAE thread or SAE flange (ISO 6162-1/2)



Type SFA

- Medium Pressure Filter designed for in-line assembly
- Threaded mounting holes on top and fluid ports on side of head
- Low weight and compact design

- Operating pressure: max. 160 bar / 2320 PSI
- Nominal flow rate: max. 240 l/min / 70 US GPM
- Materials: Filter head: Cast Aluminium, Filter bowl: Aluminium
- Connections: option of BSP, NPT, SAE-thread or SAE flange (ISO 6162-1)



Type SF-TM

- High Pressure Filter designed for manifold mounting
- Mounting holes and fluid ports on top of head
- Also available as toplayer, with bowl in two-part style

- Operating pressure: max. 315 bar / 4560 PSI
- Nominal flow rate: max. 1135 l/min / 300 US GPM
- Materials: Filter head: Spheroidal Graphite Cast Iron or rather Free Cutting Steel, Filter bowl: Cold Drawn Steel



Type SMPF

- Medium Pressure Filter designed for in-line assembly

- Operating pressure: max. 110 bar / 1600 PSI
- Nominal flow rate: max. 90 l/min / 25 US GPM
- Materials: Filter head and bowl: Aluminium
- Connections: BSP, SAE-thread



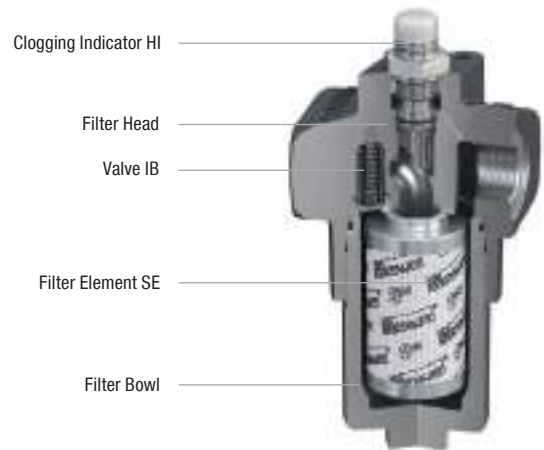
Type SFZ

- High Pressure Filter designed for sandwich plate mounting
- Available as right or left version

- Operating pressure: max. 315 bar / 4560 PSI
- Nominal flow rate: max. 30 l/min / 8 US GPM
- Materials: Filter head: Free Cutting Steel, Filter bowl: Cold Drawn Steel



High Pressure Filters ■ Type SF



C

Product Description

STAUFF SF series High Pressure Filters are designed for in-line hydraulic applications, with a maximum operating pressure of 420 bar / 6000 PSI. Used together with STAUFF SE series Filter Elements, a high efficiency of contaminant removal is assured. The high dirt-hold capacity of the elements ensures long service life and, as a result, reduced maintenance costs.

Technical Data

Construction

- Designed for in-line assembly, with threaded mounting holes on top of the head.

Materials

- Filter head: Spheroidal Graphite Cast Iron
- Filter bowl: Cold Drawn Steel
- O-rings: NBR (Buna-N®)
FKM (Viton®)
EPDM (Ethylene-Propylene-Diene-Monomer-Rubber)
- Support ring: PTFE (Polytetrafluoroethylene)

Port Connections

- BSP
- NPT
- SAE O-ring thread
- SAE 3000 PSI (Code 61) flange
- SAE 6000 PSI (Code 62) flange

Other port connections available on request.

Operating Pressure

- Max. 420 bar / 6000 PSI

Burst Pressure

- Min. 1260 bar / 18275 PSI

Temperature Range

- -10 °C ... +100 °C / +14 °F ... +212 °F

Filter Elements

- Specifications see page 40

Media Compatibility

- Mineral oils, other fluids on request

Options and Accessories

Valves

- Bypass valve: Allows unfiltered oil to bypass the contaminated element once the opening pressure has been reached, a differential pressure of $6^{+0.5}$ bar / $87^{+7.25}$ PSI Δp is the standard setting. Other settings available upon request.
- Reverse flow valve: Allows reverse flow through the filter head without backflushing the element.
- Non-return valve: Prevents draining of the delivery line during element change.
- Multi-function valve: Opening pressure $6^{+0.5}$ bar / $87^{+7.25}$ PSI
Bypass, reverse flow capability and non-return valve combined in one valve.

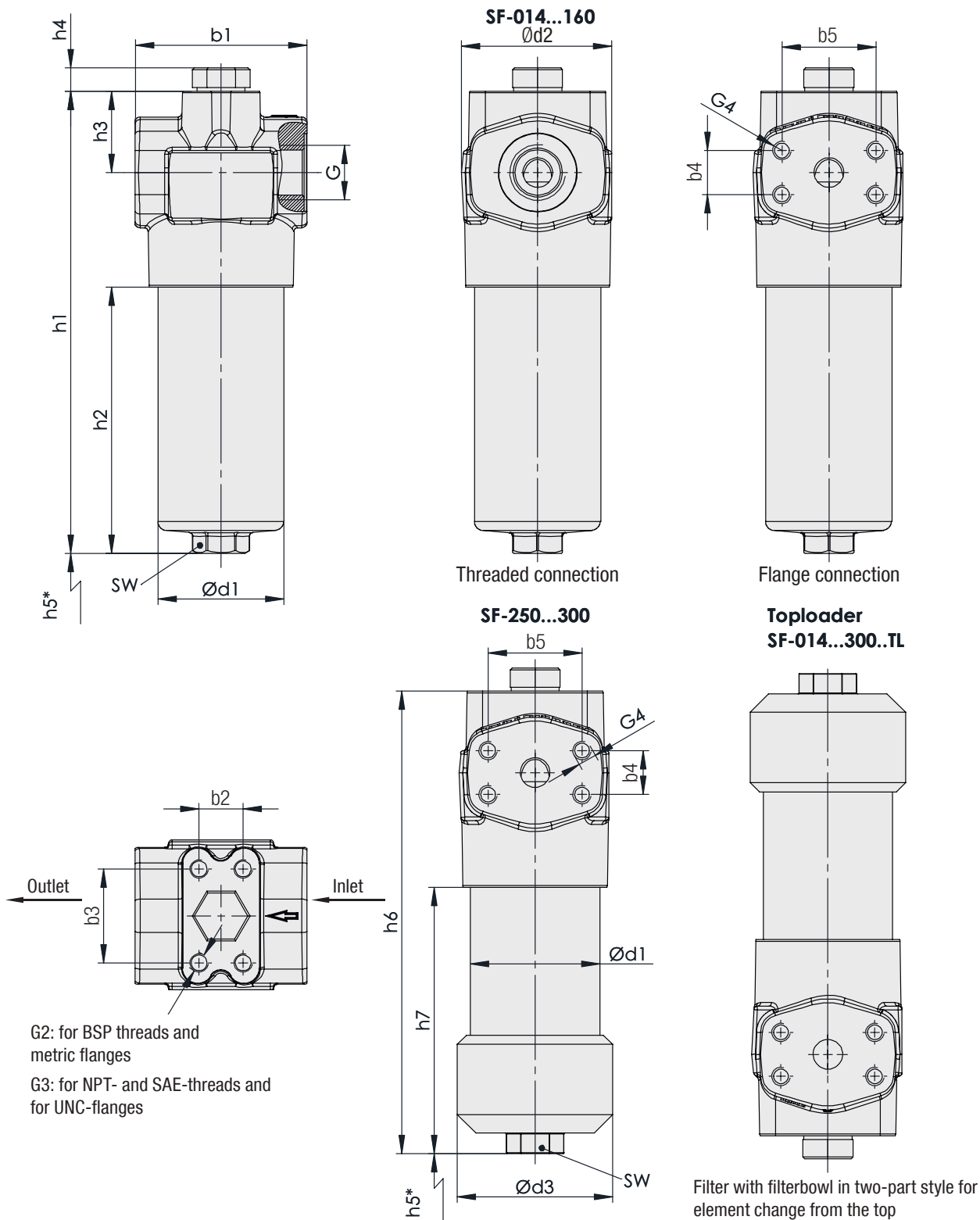
Clogging Indicators

- Standard actuating pressure: $5_{-0.5}$ bar / $72.5_{-7.25}$ PSI Δp
Other actuating pressure settings are available upon request.
- Available indicators: Visual
Electrical
Visual-electrical (24 V DC, 110 V AC, 230 V AC versions)
Double Visual-electrical (24 V DC)



High Pressure Filters - Type SF

C



* recommended space for element change



High Pressure Filters ■ Type SF

| Thread Connection G | Filter Size SF | | | | | | | | | |
|---|----------------|-----------|----------|----------|----------|----------|----------|----------|----------|----------|
| | 014 | 030 | 045 | 070 | 125 | 090 | 130 | 160 | 250 | 300 |
| BSP | 3/4 | 3/4 | 1-1/4 | 1-1/4 | 1-1/4 | 1-1/2 | 1-1/2 | 1-1/2 | 1-1/2 | 1-1/2 |
| NPT | 3/4 | 3/4 | 1-1/4 | 1-1/4 | 1-1/4 | 1-1/2 | 1-1/2 | 1-1/2 | 1-1/2 | 1-1/2 |
| SAE O-ring Thread | 1-1/16-12 | 1-1/16-12 | 1-5/8-12 | 1-5/8-12 | 1-5/8-12 | 1-7/8-12 | 1-7/8-12 | 1-7/8-12 | 1-7/8-12 | 1-7/8-12 |
| SAE Flange 3000 PSI | 3/4 | 3/4 | 1-1/4 | 1-1/4 | 1-1/4 | 1-1/2 | 1-1/2 | 1-1/2 | 1-1/2 | 1-1/2 |
| SAE Flange 6000 PSI | 3/4 | 3/4 | 1-1/4 | 1-1/4 | 1-1/4 | 1-1/2 | 1-1/2 | 1-1/2 | 1-1/2 | 1-1/2 |
| Weight (kg/lbs) incl. Elements with Filter Bowl in One-Part Style | 5 | 5,9 | 10,3 | 12 | - | 26,4 | 30,2 | 34,9 | - | - |
| | 11 | 13 | 22,7 | 26,5 | - | 58,2 | 66,6 | 76,9 | - | - |
| Weight (kg/lbs) incl. Elements with Filter Bowl in Two-Part Style | 5,6 | 6,6 | 12,2 | 13,7 | 20 | 31,4 | - | 38,7 | 48,4 | 56,7 |
| | 12,3 | 14,6 | 26,9 | 30,2 | 44,1 | 69,2 | - | 85,3 | 106,7 | 125 |

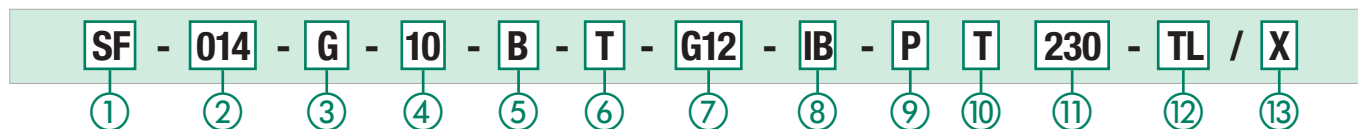
| Dimensions (mm/in) | Filter Size SF | | | | | | | | | | | |
|---|------------------------|------------------------|-------------------------|------------------------|-------|-------|-------|-------|-------|-------|-------|---|
| | 014 | 030 | 045 | 070 | 125 | 090 | 130 | 160 | 250 | 300 | | |
| b1 | 93 | 93 | 126 | 126 | 126 | 160 | 160 | 160 | 160 | 160 | | |
| | 3.66 | 3.66 | 4.96 | 4.96 | 4.96 | 6.29 | 6.29 | 6.29 | 6.29 | 6.29 | | |
| d2 | 81 | 81 | 120 | 120 | 120 | 156 | 156 | 156 | 156 | 156 | | |
| | 3.19 | 3.19 | 4.72 | 4.72 | 4.72 | 6.14 | 6.14 | 6.14 | 6.14 | 6.14 | | |
| h3 | 44 | 44 | 44,5 | 44,5 | 44,5 | 66,5 | 66,5 | 66,5 | 66,5 | 66,5 | | |
| | 1.73 | 1.73 | 1.75 | 1.75 | 1.75 | 2.62 | 2.62 | 2.62 | 2.62 | 2.62 | | |
| h4 | 12,5 | 12,5 | 12,5 | 12,5 | 12,5 | 12,5 | 12,5 | 12,5 | 12,5 | 12,5 | | |
| | .49 | .49 | .49 | .49 | .49 | .49 | .49 | .49 | .49 | .49 | | |
| with Filter Bowl in One-Part Style Type SF | d1 | 68 | 68 | 95 | 95 | - | 130 | 130 | 130 | 130 | 130 | |
| | | 2.68 | 2.68 | 3.74 | 3.74 | - | 5.12 | 5.12 | 5.12 | 5.12 | 5.12 | |
| | h1 | 184 | 250 | 233,5 | 292 | - | 317,5 | 411 | 488,5 | - | - | |
| | | 7.24 | 9.84 | 9.19 | 11.51 | - | 12.5 | 16.18 | 19.23 | - | - | |
| | h2 | 78 | 144 | 102,5 | 161,5 | - | 148 | 241,5 | 319 | - | - | |
| | | 3.07 | 5.67 | 4.03 | 6.35 | - | 5.83 | 9.5 | 12.56 | - | - | |
| | h5 | rec.* | 100 | 170 | 140 | 200 | - | 190 | 290 | 360 | - | - |
| | | | 3.94 | 6.69 | 5.51 | 7.87 | - | 7.48 | 11.42 | 14.17 | - | - |
| | | min.* | 85 | 85 | 120 | 120 | - | 150 | 150 | 150 | - | - |
| | Hex | 3.35 | 3.35 | 4.72 | 4.72 | - | 5.91 | 5.91 | 5.91 | - | - | |
| | | 27 | 27 | 32 | 32 | - | 36 | 36 | 36 | 36 | 36 | |
| | | 1.06 | 1.06 | 1.26 | 1.26 | - | 1.42 | 1.42 | 1.42 | 1.42 | 1.42 | |
| with Filter Bowl in Two-Part Style Type SF...TL | d1 | 70 | 70 | 101,6 | 101,6 | 101,6 | 133 | - | 133 | 133 | 133 | |
| | | 2.76 | 2.76 | 4 | 4 | 4 | 5.24 | - | 5.24 | 5.24 | 5.24 | |
| | d3 | 84 | 84 | 115 | 115 | 115 | 155 | - | 155 | 155 | 155 | |
| | | 3.31 | 3.31 | 4.53 | 4.53 | 4.53 | 6.10 | - | 6.10 | 6.10 | 6.10 | |
| | h5 | 65 | 130 | 100 | 160 | 340 | 120 | - | 290 | 425 | 590 | |
| | | 2.56 | 5.12 | 3.94 | 6.30 | 13.39 | 4.72 | - | 11.42 | 16.73 | 23.23 | |
| | h6 | 184 | 250 | 234 | 294 | 475 | 324 | - | 495 | 651 | 816 | |
| | | 7.27 | 9.84 | 9.21 | 11.57 | 18.7 | 12.75 | - | 19.49 | 25.63 | 32.12 | |
| | h7 | 78 | 144 | 103 | 163 | 344 | 154,5 | - | 325,5 | 481,5 | 646,5 | |
| | | 3.07 | 5.67 | 4.06 | 6.42 | 13.54 | 6.08 | - | 12.82 | 18.96 | 25.45 | |
| Hex | 27 | 27 | 32 | 32 | 32 | 36 | - | 36 | 36 | 36 | | |
| | 1.06 | 1.06 | 1.26 | 1.26 | 1.26 | 1.42 | - | 1.42 | 1.42 | 1.42 | | |
| Dimensions SAE Flange 3000 PSI | b4 | 22,3 | 22,3 | 30,2 | 30,2 | 30,2 | 35,7 | 35,7 | 35,7 | 35,7 | 35,7 | |
| | | .88 | .88 | 1.87 | 1.87 | 1.87 | 1.41 | 1.41 | 1.41 | 1.41 | 1.41 | |
| | b5 | 47,6 | 47,6 | 58,7 | 58,7 | 58,7 | 69,9 | 69,9 | 69,9 | 69,9 | 69,9 | |
| G4 | 1.19 | 1.19 | 2.32 | 2.32 | 2.32 | 2.75 | 2.75 | 2.75 | 2.75 | 2.75 | | |
| | M10 x 15 3/8-16 UNC | M10 x 15 3/8-16 UNC | M10 x 18 7/16-14 UNC | M12 x 20 1/2-13 UNC | | | | | | | | |
| Dimensions SAE Flange 6000 PSI | b4 | 23,8 | 23,8 | 31,8 | 31,8 | 31,8 | 36,5 | 36,5 | 36,7 | 36,7 | 36,7 | |
| | | .94 | .94 | 1.25 | 1.25 | 1.25 | 1.44 | 1.44 | 1.45 | 1.45 | 1.45 | |
| | b5 | 50,8 | 50,8 | 66,6 | 66,6 | 66,6 | 79,3 | 79,3 | 79,4 | 79,4 | 79,4 | |
| G4 | 2.00 | 2.00 | 2.62 | 2.62 | 2.62 | 3.12 | 3.12 | 3.13 | 3.13 | 3.13 | | |
| | M10 x 15 3/8-16 UNC | M14 x 17 1/2-13 UNC | M16 x 20 5/8-11 UNC | | | | | | | | | |

Reference: rec.*: Recommended | min.*: Minimum

| Dimensions (mm/in) | Filter Size SF | | | | | | | | | | |
|--------------------|------------------|------------------|------------------|------------------|------------------|------------------|------|------|------|------|------|
| | 014 | 030 | 045 | 070 | 125 | 090 | 130 | 160 | 250 | 300 | |
| T | b2 | 23,8 | 23,8 | 31,6 | 31,6 | 31,6 | 36,7 | 36,7 | 36,7 | 36,7 | 36,7 |
| | | .94 | .94 | 1.24 | 1.24 | 1.24 | 1.45 | 1.45 | 1.45 | 1.45 | 1.45 |
| | b3 | 50,8 | 50,8 | 66,7 | 66,7 | 66,7 | 79,4 | 79,4 | 79,4 | 79,4 | 79,4 |
| | | 2.00 | 2.00 | 2.63 | 2.63 | 2.63 | 3.13 | 3.13 | 3.13 | 3.13 | 3.13 |
| TH (optional) | G2 | M10 x 15 | | M14 x 17 | | M16 x 20 | | | | | |
| | | 3/8-16 UNC x .59 | | 1/2-13 UNC x .79 | | 5/8-11 UNC x .79 | | | | | |
| | b2 | 32 | 32 | 35 | 35 | 35 | 60 | 60 | 60 | 60 | 60 |
| | | 1.26 | 1.26 | 1.38 | 1.38 | 1.38 | 2.36 | 2.36 | 2.36 | 2.36 | 2.36 |
| | b3 | 56 | 56 | 85 | 85 | 85 | 115 | 115 | 115 | 115 | 115 |
| | | 2.20 | 2.20 | 3.35 | 3.35 | 3.35 | 4.53 | 4.53 | 4.53 | 4.53 | 4.53 |
| G2 | M6 x 9 | | M10 x 15 | | M12 x 20 | | | | | | |
| | 1/2-28 UNF x .35 | | 3/8-24 UNF x .59 | | 1/2-20 UNF x .79 | | | | | | |



High Pressure Filter Housings / Complete Filters ■ Type SF



① Type

High Pressure Filter **SF**

② Group

| Flow | Size |
|-------------------------|------------|
| 60 l/min / 14 US GPM | 014 |
| 110 l/min / 30 US GPM | 030 |
| 160 l/min / 45 US GPM | 045 |
| 240 l/min / 70 US GPM | 070 |
| 330 l/min / 90 US GPM | 090 |
| 475 l/min / 125 US GPM | 125 |
| 500 l/min / 132 US GPM | 130 |
| 660 l/min / 160 US GPM | 160 |
| 990 l/min / 250 US GPM | 250 |
| 1135 l/min / 300 US GPM | 300 |

Note: Exact flow will depend on the selected filter element.
For technical data please see pages 57 / 58.

③ Filter Material

| Material | max. Δp*collapse | Micron ratings available | Code |
|------------------------|--------------------|--------------------------|----------|
| Without filter element | - | - | O |
| Inorg. glass fibre | 25 bar / 363 PSI | 3, 5, 10, 20 | G |
| Inorg. glass fibre | 210 bar / 3045 PSI | | H |
| Stainless fibre | 210 bar / 3045 PSI | | A |
| Stainless mesh | 30 bar / 435 PSI | 25, 50, 100, 200 | S |

Note: * Collapse/burst resistance as per ISO 2941.

④ Micron Rating

| | |
|--------|------------|
| 3 µm | 03 |
| 5 µm | 05 |
| 10 µm | 10 |
| 20 µm | 20 |
| 25 µm | 25 |
| 50 µm | 50 |
| 100 µm | 100 |
| 200 µm | 200 |

Note: Other micron ratings on request.

⑤ Sealing Material

| | |
|---------------|----------|
| NBR (Buna-N®) | B |
| FKM (Viton®) | V |
| EPDM | E |

Note: Other sealing materials on request.

⑥ Connecting Flange

| | |
|--------------------|----------|
| Type T | T |
| Type TH (optional) | TH |

⑦ Connection Style

| Connection Style | Thread Style | Group 014 | Group 030 | Code | Group 045 | Group 070 | Group 125 | Code | Group 090 | Group 130 | Group 160 | Group 250 | Group 300 | Code |
|---------------------|--------------|-----------|-----------|--------------|-----------|-----------|-----------|--------------|-----------|-----------|-----------|-----------|-----------|--------------|
| BSP | - | 3/4 | | G12 | 1-1/4 | | | G20 | 1-1/2 | | | | | G24 |
| BSP | - | 1 | | G16 | 1-1/2 | | | G24 | - | | | | | - |
| NPT | - | 3/4 | | N12 | 1-1/4 | | | N20 | 1-1/2 | | | | | N24 |
| SAE O-ring Thread | - | 1-1/16-12 | | U12 | 1-5/8-12 | | | U20 | 1-7/8-12 | | | | | U24 |
| SAE Flange 6000 PSI | metric | 3/4 | | C612M | 1-1/4 | | | C620M | 1-1/2 | | | | | C624M |
| SAE Flange 6000 PSI | UNC | 3/4 | | C612U | 1-1/4 | | | C620U | 1-1/2 | | | | | C624U |
| SAE Flange 3000 PSI | metric | 3/4 | | C312M | 1-1/4 | | | C320M | 1-1/2 | | | | | C324M |
| SAE Flange 3000 PSI | UNC | 3/4 | | C312U | 1-1/4 | | | C320U | 1-1/2 | | | | | C324U |
| SAE Flange 3000 PSI | metric | 1 | | C316M | - | | | - | 2 | | | | | C332M |
| SAE Flange 3000 PSI | UNC | 1 | | C316U | - | | | - | 2 | | | | | C332U |

Note: Other port connections on request. Bold types identify preferred connection styles.

⑧ Valve

| | |
|----------------------------------|-----------|
| Without integrated Bypass valve* | IO |
| Without valve | O |
| Integrated Bypass valve* | IB |
| Bypass valve | B |
| Reverse flow valve | R |
| Non-return valve | N |
| Multi-function valve | M |

Note: * Valve Type IO and IB only available for Group size SF-014, SF-030, SF-045, SF-070 and SF-125

⑨ Clogging Indicator

| | |
|------------------------------|-------------|
| Without clogging indicator | O |
| Visual, with automatic reset | A |
| Visual, with manual reset | V |
| Electrical | E |
| Electrical, Deutsch plug | ED |
| Visual-electrical | P |
| Double Visual-electrical | D024 |

⑩ Thermostop

| | |
|--------------------|-------------|
| Without thermostop | none |
| With thermostop | T |

⑪ Voltage (only for Code P)

| | |
|----------|------------|
| 24 V DC | 024 |
| 110 V AC | 110 |
| 230 V AC | 230 |

⑫ Style Filter Bowl

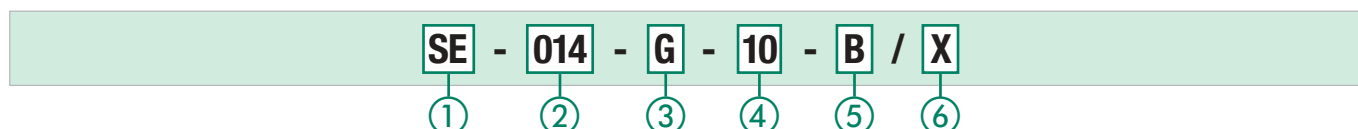
| | |
|--|-------------|
| With bowl in one-part style | none |
| Toploader, with bowl in two-part style | TL |

Note: Group size SF-250 and SF-300 only available in TL-version.
With drain plug available on request.
Group size SF-130 only available in one-part style.
Group size SF-125 only available in two-part style.

⑬ Design Code

| | |
|----------------------|----------|
| Only for information | X |
|----------------------|----------|

Filter Elements ■ Type SE



① Type

Filter Element Series **SE**

② Group

According to filter housing

③ Filter Material

| Material | max. Δp*collapse | Micron ratings available | Code |
|-----------------------|--------------------|--------------------------|----------|
| Inorganic glass fibre | 25 bar / 363 PSI | 3, 5, 10, 20 | G |
| Inorganic glass fibre | 210 bar / 3045 PSI | | H |
| Stainless fibre | 210 bar / 3045 PSI | | A |
| Stainless mesh | 30 bar / 435 PSI | 25, 50, 100, 200 | S |

Note: * Collapse/burst resistance as per ISO 2941.

④ Micron Rating

| | |
|--------|------------|
| 3 µm | 03 |
| 5 µm | 05 |
| 10 µm | 10 |
| 20 µm | 20 |
| 25 µm | 25 |
| 50 µm | 50 |
| 100 µm | 100 |
| 200 µm | 200 |

Note: Other micron ratings on request.

⑤ Sealing Material

| | |
|---------------|----------|
| NBR (Buna-N®) | B |
| FKM (Viton®) | V |
| EPDM | E |

Note: Other sealing materials on request.

⑥ Design Code

| | |
|----------------------|----------|
| Only for information | X |
|----------------------|----------|



High Pressure Filters ■ Type SF-TM



C

Product Description

STAUFF SF-TM series High Pressure Filters are designed for manifold block mounting hydraulic applications, with a maximum operating pressure of 315 bar / 4560 PSI. Used together with STAUFF SE series Filter Elements, a high efficiency of contaminant removal is assured. The high dirt-hold capacity of the elements ensures long service life and, as a result, reduced maintenance costs.

Technical Data
Construction

- Designed for manifold mounting, with mounting holes and fluid ports on top of the head.

Materials

- Filter head: SF-TM-014 ... 125 Free Cutting Steel
SF-TM-090 ... 300 Spheroidal Graphite Cast Iron
- Filter bowl: Cold Drawn Steel
- O-rings: NBR (Buna-N®)
FKM (Viton®)
EPDM (Ethylene-Propylene-Diene-Monomer-Rubber)
- Support ring: PTFE (Polytetrafluoroethylene)

Operating Pressure

- Max. 315 bar / 4560 PSI

Burst Pressure

- Min. 945 bar / 13705 PSI

Temperature Range

- -10 °C ... +100 °C / +14 °F ... +212 °F

Filter Elements

- Specifications see page 44

Media Compatibility

- Mineral oils, other fluids on request

Options and Accessories
Valves

- Bypass valve: Allows unfiltered oil to bypass the contaminated element once the opening pressure has been reached, a differential pressure of $6^{+0,5}$ bar / $87^{+7,25}$ PSI Δp is the standard setting. Other settings available upon request.
- Reverse flow valve: Allows reverse flow through the filter head without backflushing the element.
- Non-return valve: Prevents draining of the delivery line during element change.
- Multi-function valve: Opening pressure $6^{+0,5}$ bar / $87^{+7,25}$ PSI
Bypass, reverse flow capability and non-return valve combined in one valve.

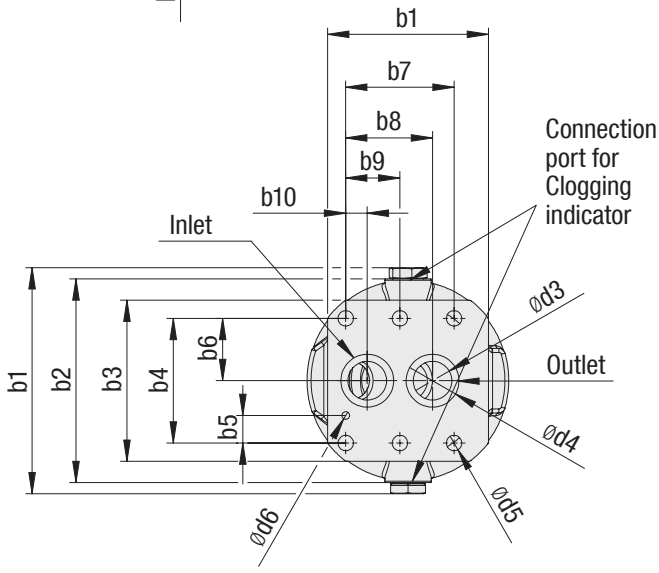
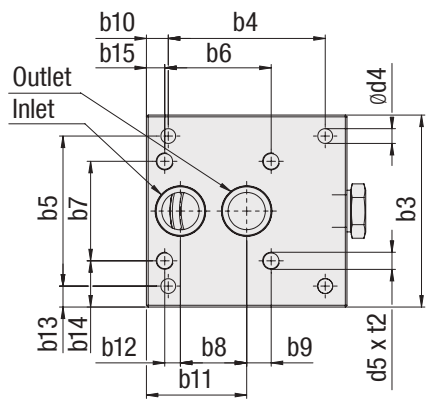
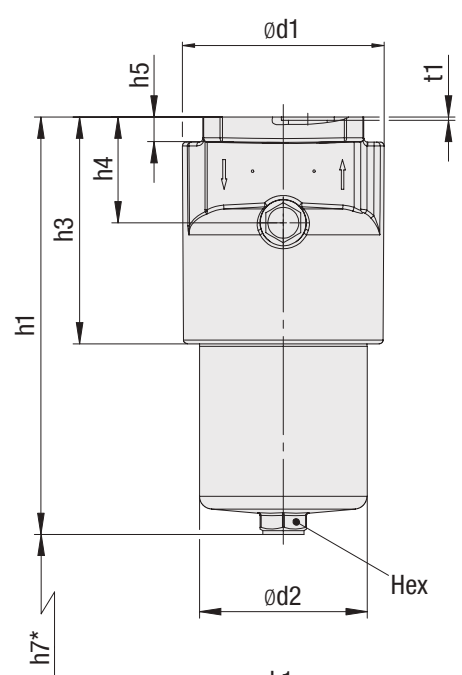
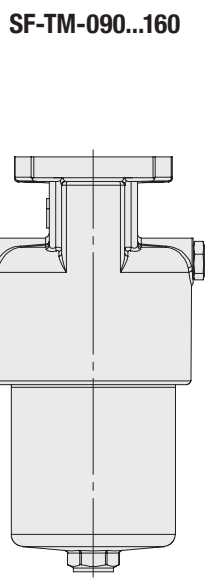
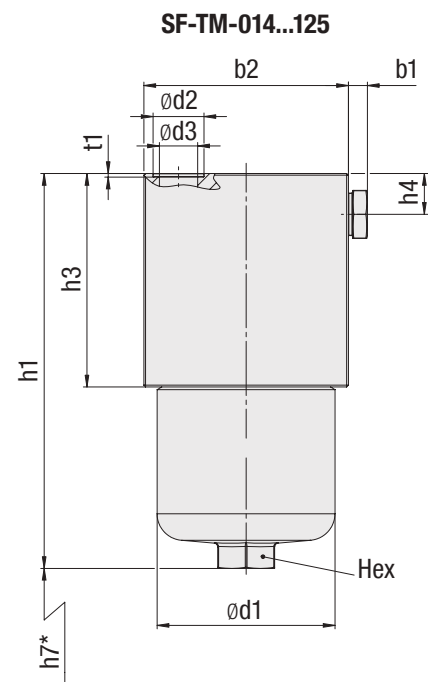
Clogging Indicators

- Standard actuating pressure: $5_{-0,5}$ bar / $72,5_{-7,25}$ PSI Δp
Other actuating pressure settings are available upon request.
- Available indicators: Visual
Electrical
Visual-electrical (24 V DC, 110 V AC, 230 V AC versions)
Double Visual-electrical (24 V DC)

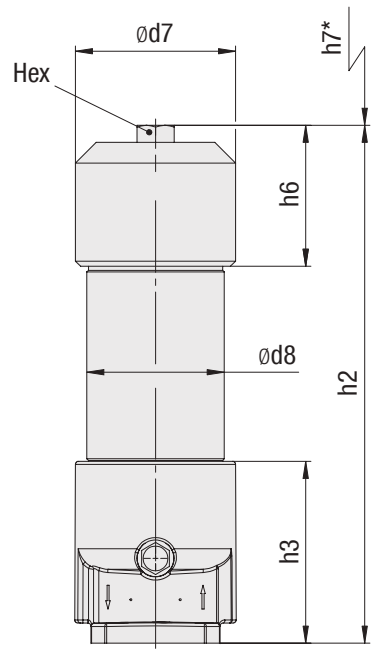


High Pressure Filters - Type SF-TM

G



SF-TM-014...300-TL



Filter with filterbowl in two-part style for element change from the top

* recommended space for element change



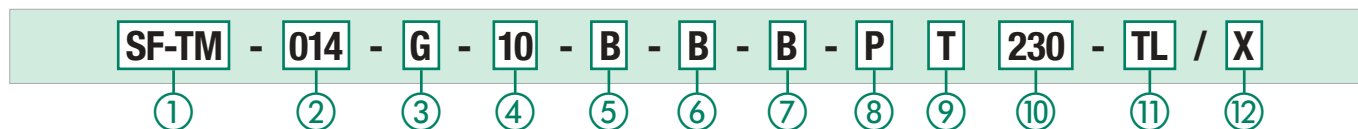
High Pressure Filters ■ Type SF-TM

| Dimensions (mm/in) | | | Filter Size SF-TM | | | | | | | | | |
|--------------------|----------------|----------------|-------------------|------|-------------|-------------|-------------|-------|-------|-------|-------|-------|
| | | | 014 | 030 | 045 | 070 | 125 | 090 | 130 | 160 | 250 | 300 |
| b1 | | | 6 | 6 | 6 | 6 | 6 | 175,6 | 175,6 | 175,6 | 175,6 | 175,6 |
| | | | .24 | .24 | .24 | .24 | .24 | 6.91 | 6.91 | 6.91 | 6.91 | 6.91 |
| b2 | | | 104 | 104 | 115 | 115 | 115 | 158 | 158 | 158 | 158 | 158 |
| | | | 4.09 | 4.09 | 4.53 | 4.53 | 4.53 | 6.22 | 6.22 | 6.22 | 6.22 | 6.22 |
| b3 | | | 80 | 80 | 110 | 110 | 110 | 125 | 125 | 125 | 125 | 125 |
| | | | 3.35 | 3.35 | 4.33 | 4.33 | 4.33 | 4.92 | 4.92 | 4.92 | 4.92 | 4.92 |
| b4 | | | 89 | 89 | 90 | 90 | 90 | 96,8 | 96,8 | 96,8 | 96,8 | 96,8 |
| | | | 3.50 | 3.50 | 3.54 | 3.54 | 3.54 | 3.81 | 3.81 | 3.81 | 3.81 | 3.81 |
| b5 | | | 31,8 | 31,8 | 86 | 86 | 86 | 21,4 | 21,4 | 21,4 | 21,4 | 21,4 |
| | | | 1.25 | 1.25 | 3.39 | 3.39 | 3.39 | .84 | .84 | .84 | .84 | .84 |
| b6 | | | - | - | 61 | 61 | 61 | 48,4 | 48,4 | 48,4 | 48,4 | 48,4 |
| | | | - | - | 2.40 | 2.40 | 2.40 | 1.91 | 1.91 | 1.91 | 1.91 | 1.91 |
| b7 | | | - | - | 57 | 57 | 57 | 84,1 | 84,1 | 84,1 | 84,1 | 84,1 |
| | | | - | - | 2.24 | 2.24 | 2.24 | 3.31 | 3.31 | 3.31 | 3.31 | 3.31 |
| b8 | | | 31,6 | 31,6 | 38 | 38 | 38 | 67,4 | 67,4 | 67,4 | 67,4 | 67,4 |
| | | | 1.24 | 1.24 | 1.50 | 1.50 | 1.50 | 2.65 | 2.65 | 2.65 | 2.65 | 2.65 |
| b9 | | | - | - | 14 | 14 | 14 | 42,05 | 42,05 | 42,05 | 42,05 | 42,05 |
| | | | - | - | .55 | .55 | .55 | 1.66 | 1.66 | 1.66 | 1.66 | 1.66 |
| b10 | | | 7,5 | 7,5 | 12,5 | 12,5 | 12,5 | 16,7 | 16,7 | 16,7 | 16,7 | 16,7 |
| | | | .30 | .30 | .49 | .49 | .49 | .66 | .66 | .66 | .66 | .66 |
| b11 | | | 55,9 | 55,9 | 57,5 | 57,5 | 57,5 | - | - | - | - | - |
| | | | 2.20 | 2.20 | 2.26 | 2.26 | 2.26 | - | - | - | - | - |
| b12 | | | - | - | 9 | 9 | 9 | - | - | - | - | - |
| | | | - | - | .35 | .35 | .35 | - | - | - | - | - |
| b13 | | | 24,1 | 24,1 | 12 | 12 | 12 | - | - | - | - | - |
| | | | .95 | .95 | .47 | .47 | .47 | - | - | - | - | - |
| b14 | | | - | - | 26,5 | 26,5 | 26,5 | - | - | - | - | - |
| | | | - | - | 1.04 | 1.04 | 1.04 | - | - | - | - | - |
| b15 | | | - | - | 10,5 | 10,5 | 10,5 | - | - | - | - | - |
| | | | - | - | .41 | .41 | .41 | - | - | - | - | - |
| d1 | | | 68,2 | 68,2 | 95,2 | 95,2 | 95,2 | 156 | 156 | 156 | 156 | 156 |
| | | | 2.69 | 2.69 | 3.75 | 3.75 | 3.75 | 6.14 | 6.14 | 6.14 | 6.14 | 6.14 |
| d2 | | | 25,3 | 25,3 | 28,6 | 28,6 | 28,6 | 130,2 | 130,2 | 130,2 | 130,2 | 130,2 |
| | | | 1.00 | 1.00 | 1.13 | 1.13 | 1.13 | 5.13 | 5.13 | 5.13 | 5.13 | 5.13 |
| d3 | | | 17,5 | 17,5 | 21,4 | 21,4 | 21,4 | 30 | 30 | 30 | 30 | 30 |
| | | | .69 | .69 | .84 | .84 | .84 | 1.18 | 1.18 | 1.18 | 1.18 | 1.18 |
| d4 | | | 8,5 | 8,5 | 9 | 9 | 9 | 41 | 41 | 41 | 41 | 41 |
| | | | .33 | .33 | .35 | .35 | .35 | 1.61 | 1.61 | 1.61 | 1.61 | 1.61 |
| d5 | | | - | - | 7/16-14 UNC | 7/16-14 UNC | 7/16-14 UNC | 12 | 12 | 12 | 12 | 12 |
| | | | - | - | | | | .47 | .47 | .47 | .47 | .47 |
| d6 | | | - | - | - | - | - | 6 | 6 | 6 | 6 | 6 |
| | | | - | - | - | - | - | .24 | .24 | .24 | .24 | .24 |
| d7 | | | 84 | 84 | 115 | 115 | 115 | 155 | - | 155 | 155 | 155 |
| | | | 3.31 | 3.31 | 4.53 | 4.53 | 4.53 | 6.10 | - | 6.10 | 6.10 | 6.10 |
| d8 | | | 70 | 70 | 101,6 | 101,6 | 101,6 | 133 | - | 133 | 133 | 133 |
| | | | 2.76 | 2.76 | 4.00 | 4.00 | 4.00 | 5.24 | - | 5.24 | 5.24 | 5.24 |
| h1 | | | 162 | 228 | 206 | 264 | 446 | 324 | 417,5 | 495 | - | - |
| | | | 6.38 | 8.97 | 8.11 | 10.39 | 17.56 | 12.76 | 16.44 | 19.49 | - | - |
| h2 | | | 164 | 230 | 206 | 266 | 447 | 330,5 | - | 501,5 | 657,5 | 822,5 |
| | | | 6.46 | 9.06 | 8.11 | 10.47 | 17.60 | 13.01 | - | 19.74 | 25.89 | 32.38 |
| h3 | | | 76 | 76 | 93 | 93 | 93 | 178 | 178 | 178 | 178 | 178 |
| | | | 2.99 | 2.99 | 3.66 | 3.66 | 3.66 | 7.01 | 7.01 | 7.01 | 7.01 | 7.01 |
| h4 | | | 25 | 25 | 25 | 25 | 25 | 82 | 82 | 82 | 82 | 82 |
| | | | .98 | .98 | .98 | .98 | .98 | 3.23 | 3.23 | 3.23 | 3.23 | 3.23 |
| h5 | | | - | - | - | - | - | 19,1 | 19,1 | 19,1 | 19,1 | 19,1 |
| | | | - | - | - | - | - | .75 | .75 | .75 | .75 | .75 |
| h6 | | | 64 | 64 | 82,5 | 82,5 | 82,5 | 136 | - | 136 | 136 | 136 |
| | | | 2.52 | 2.52 | 3.25 | 3.25 | 3.25 | 5.35 | - | 5.35 | 5.35 | 5.35 |
| h7 | One-Part Style | rec.* | 100 | 170 | 140 | 200 | 380 | 190 | 285 | 360 | - | - |
| | | min.* | 3.94 | 6.69 | 5.51 | 7.87 | 14.96 | 7.48 | 14.17 | 14.17 | - | - |
| | | | 85 | 85 | 120 | 120 | 150 | 150 | 150 | 150 | - | - |
| | Two-Part Style | 3.35 | 3.35 | 4.72 | 4.72 | 4.72 | 5.91 | 5.91 | 5.91 | - | - | |
| | | 65 | 130 | 100 | 160 | 340 | 120 | - | 290 | 425 | 590 | |
| | | 2.56 | 5.12 | 3.94 | 6.30 | 13.39 | 4.72 | - | 11.42 | 16.73 | 23.23 | |
| t1 | | | 2 | 2 | 2 | 2 | 2 | 3 | 3 | 3 | 3 | |
| | | | .08 | .08 | .08 | .08 | .08 | .12 | .12 | .12 | .12 | .12 |
| t2 | | | - | - | 13 | 13 | 13 | - | - | - | - | - |
| | | | - | - | .51 | .51 | .51 | - | - | - | - | - |
| Hex | | | 27 | 27 | 32 | 32 | 32 | 36 | 36 | 36 | 36 | 36 |
| | | | 1.06 | 1.06 | 1.26 | 1.26 | 1.26 | 1.42 | 1.42 | 1.42 | 1.42 | 1.42 |
| Weight (kg/lbs) | | One-Part Style | 5,7 | 6,3 | 11 | 12,5 | 17 | 21,6 | 25,7 | 28,8 | - | - |
| | | Two-Part Style | 12.5 | 13.9 | 24.2 | 27.8 | 37.8 | 48.0 | 56.7 | 64.0 | - | - |
| | | | 6,6 | 7,3 | 13,1 | 14,6 | 21 | 26,5 | - | 33,8 | 43,2 | 54,6 |
| | | | 14.7 | 16.2 | 29.1 | 32.4 | 46.7 | 58.9 | - | 75.1 | 96 | 121.3 |

Reference: rec.*: Recommended | min.*: Minimum



High Pressure Filter Housings / Complete Filters ■ Type SF-TM



① Type

High Pressure Filter Top Mounted **SF-TM**

② Group

| Flow | Size |
|-------------------------|------------|
| 60 l/min / 14 US GPM | 014 |
| 110 l/min / 30 US GPM | 030 |
| 160 l/min / 45 US GPM | 045 |
| 240 l/min / 70 US GPM | 070 |
| 330 l/min / 90 US GPM | 090 |
| 475 l/min / 125 US GPM | 125 |
| 500 l/min / 132 US GPM | 130 |
| 660 l/min / 160 US GPM | 160 |
| 990 l/min / 250 US GPM | 250 |
| 1135 l/min / 300 US GPM | 300 |

Note: Exact flow will depend on the selected filter element.
For technical data please see pages 57 / 58.

③ Filter Material

| Material | max. Δp*collapse | Micron ratings available | Code |
|------------------------|--------------------|--------------------------|----------|
| Without filter element | - | - | O |
| Inorg. glass fibre | 25 bar / 363 PSI | 3, 5, 10, 20 | G |
| Inorg. glass fibre | 210 bar / 3045 PSI | | H |
| Stainless fibre | 210 bar / 3045 PSI | | A |
| Stainless mesh | 30 bar / 435 PSI | 25, 50, 100, 200 | S |

Note: * Collapse/burst resistance as per ISO 2941.

④ Micron Rating

| | |
|--------|------------|
| 3 µm | 03 |
| 5 µm | 05 |
| 10 µm | 10 |
| 20 µm | 20 |
| 25 µm | 25 |
| 50 µm | 50 |
| 100 µm | 100 |
| 200 µm | 200 |

Note: Other micron ratings on request.

⑤ Sealing Material

| | |
|---------------|----------|
| NBR (Buna-N®) | B |
| FKM (Viton®) | V |
| EPDM | E |

Note: Other sealing materials on request.

⑥ Connection Size

| Connection Size | Group | | | Code | | | Group | | | | Code |
|-----------------|------------------|-----|--|----------|-------------------|-----|----------|-----------------|-----|-----|----------|
| | 014 | 030 | | 045 | 070 | 125 | 090 | 160 | 250 | 300 | |
| Special Flange | Ø17,5mm / Ø.69in | | | B | Ø21,4mm / Ø .85in | | B | Ø30mm / Ø1.18in | | | B |

⑦ Valve

| | |
|----------------------|----------|
| Without valve | O |
| Bypass valve | B |
| Reverse flow valve | R |
| Non-return valve | N |
| Multi-function valve | M |

⑧ Clogging Indicator

| | |
|------------------------------|-------------|
| Without clogging indicator | O |
| Visual, with automatic reset | A |
| Visual, with manual reset | V |
| Electrical | E |
| Electrical, Deutsch plug | ED |
| Visual-electrical | P |
| Double Visual-electrical | D024 |

⑨ Thermostop

| | |
|--------------------|-------------|
| Without thermostop | none |
| With thermostop | T |

⑩ Voltage (only for Code P)

| | |
|----------|------------|
| 24 V DC | 024 |
| 110 V AC | 110 |
| 230 V AC | 230 |

⑪ Style Filter Bowl

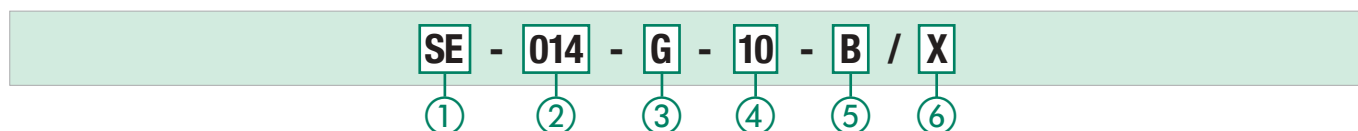
| | |
|--|-------------|
| With bowl in one-part style | none |
| Toploader, with bowl in two-part style | TL |

Note: Group size SF-TM-250 and SF-TM-300 only available in TL-version.

⑫ Design Code

| | |
|----------------------|----------|
| Only for information | X |
|----------------------|----------|

Filter Elements ■ Type SE



① Type

Filter Element Series **SE**

② Group

According to filter housing

③ Filter Material

| Material | max. Δp*collapse | Micron ratings available | Code |
|-----------------------|--------------------|--------------------------|----------|
| Inorganic glass fibre | 25 bar / 363 PSI | 3, 5, 10, 20 | G |
| Inorganic glass fibre | 210 bar / 3045 PSI | | H |
| Stainless fibre | 210 bar / 3045 PSI | | A |
| Stainless mesh | 30 bar / 435 PSI | 25, 50, 100, 200 | S |

Note: * Collapse/burst resistance as per ISO 2941.

④ Micron Rating

| | |
|--------|------------|
| 3 µm | 03 |
| 5 µm | 05 |
| 10 µm | 10 |
| 20 µm | 20 |
| 25 µm | 25 |
| 50 µm | 50 |
| 100 µm | 100 |
| 200 µm | 200 |

Note: Other micron ratings on request.

⑤ Sealing Material

| | |
|---------------|----------|
| NBR (Buna-N®) | B |
| FKM (Viton®) | V |
| EPDM | E |

Note: Other sealing materials on request.

⑥ Design Code

| | |
|----------------------|----------|
| Only for information | X |
|----------------------|----------|



High Pressure Filters ■ Type SFZ



C

Product Description

STAUFF SFZ series High Pressure Filters are designed for sandwich plate mounting in manifold block mounting hydraulic applications, with a maximum operating pressure of 315 bar / 4560 PSI. Used together with STAUFF SE series Filter Elements, a high efficiency of contaminant removal is assured. The high dirt-hold capacity of the elements ensures long service life and, as a result, reduced maintenance costs.

Technical Data
Construction

- Designed for sandwich plate mounting

Materials

- Filter head: Free Cutting Steel
- Filter bowl: Cold Drawn Steel
- O-rings: NBR (Buna-N®)
FKM (Viton®)
EPDM (Ethylene-Propylene-Diene-Monomer-Rubber)
- Support ring (bowl): PTFE (Polytetrafluoroethylene)

Connecting Port

- According to ISO 4401-03-02-0-05 NG6 / DIN24340-A6 / Cetop R 35 H (Ref.: NFPA/ANSI D03)

Operating Pressure

- Max. 315 bar / 4560 PSI

Burst Pressure

- Min. 945 bar / 13705 PSI

Temperature Range

- -10 °C ... +100 °C / +14 °F ... +212 °F

Filter Elements

- Specifications see page 44

Media Compatibility

- Mineral oils, other fluids on request

O-ring for connection ports

- 9x1,7 (4x included in delivery)

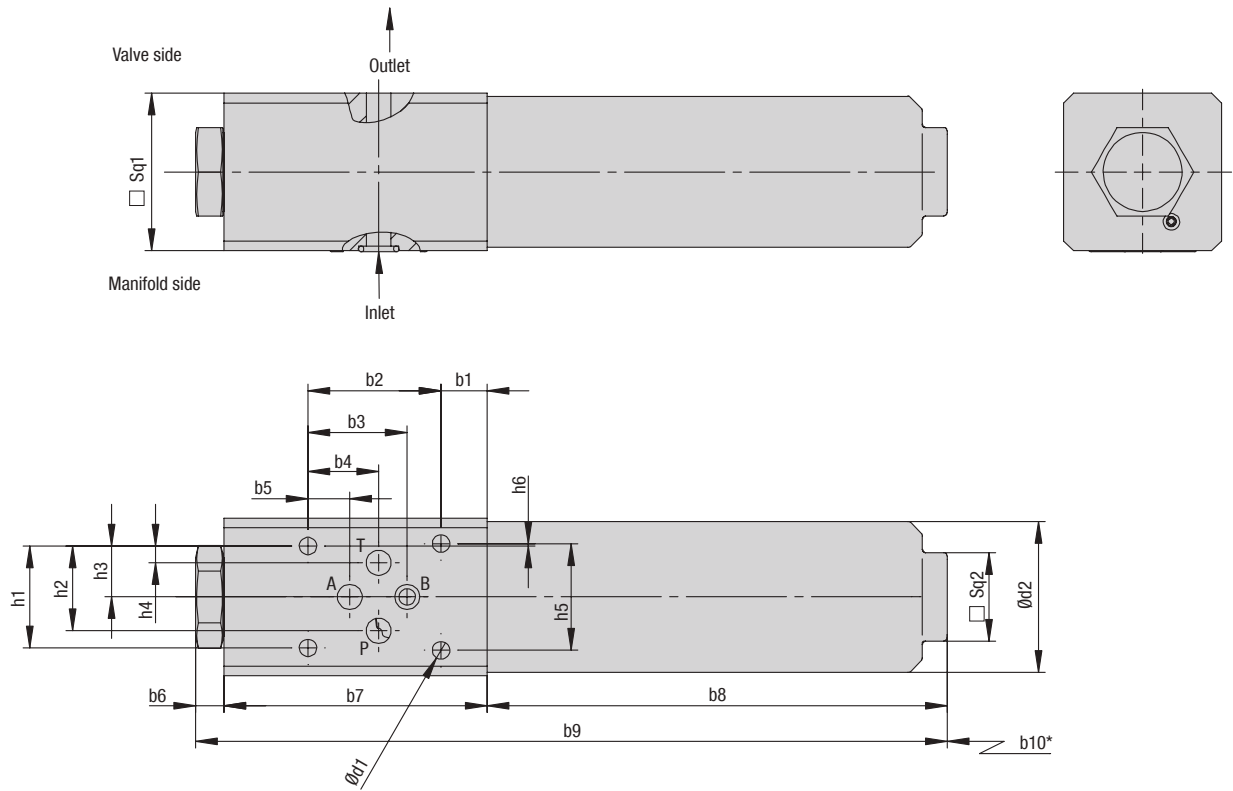
Options and Accessories
Clogging Indicator

- Standard actuating pressure: 5_{-0,5} bar / 72.5_{-7,25} PSI Δp
Other actuating pressure settings are available upon request.
- Available indicators: Visual
Electrical
Visual-electrical (24 V DC, 110 V AC, 230 V AC versions)
Double Visual-electrical (24 V DC)

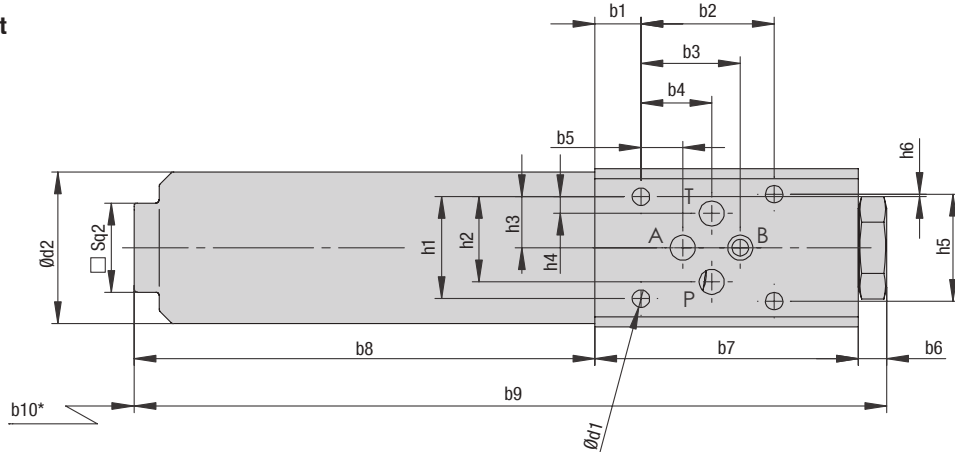


High Pressure Filters - Type SFZ

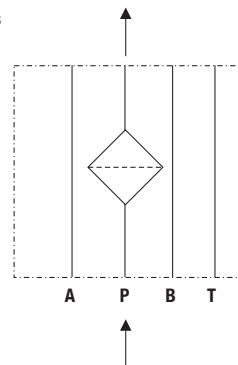
Version - right



Version - left



Symbol for hydraulic systems SFZ-008



* recommended space for element change

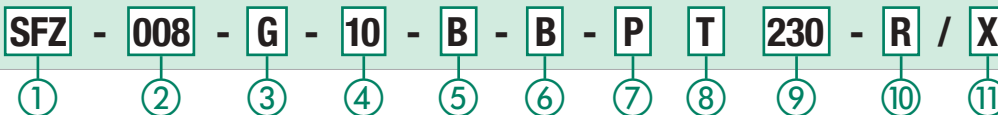


High Pressure Filters ▪ Type SFZ

| Dimensions (mm/in) | Filter Size SFZ SFZ-008 |
|--------------------|----------------------------|
| b1 | 14 |
| | .55 |
| b2 | 40,5 |
| | 1.59 |
| b3 | 30,2 |
| | 1.19 |
| b4 | 21,5 |
| | .85 |
| b5 | 12,7 |
| | .50 |
| b6 | 9 |
| | .35 |
| b7 | 80 |
| | 3.15 |
| b8 | 140 |
| | 5.51 |
| b9 | 229 |
| | 9.02 |
| b10 | 50 |
| | 1.97 |
| d1 | 5,3 |
| | .21 |
| d2 | 46 |
| | 1.81 |
| h1 | 31 |
| | 1.22 |
| h2 | 25,8 |
| | 1.02 |
| h3 | 15,5 |
| | .61 |
| h4 | 5,1 |
| | .20 |
| h5 | 32,5 |
| | 1.28 |
| h6 | 0,75 |
| | .03 |
| Sq1 | 48 |
| | 1.89 |
| Sq2 | 27 |
| | 1.06 |



High Pressure Filter Housings / Complete Filters ■ Type SFZ



① Type

High Pressure Filter for sandwich plate mounting **SFZ**

② Group

Flow **Size**
30 l/min / 8 US GPM **008**

Note: Exact flow will depend on the selected filter element.

③ Filter Material

Please note that the filter element is not protected by an internal bypass. Please be sure that the hydraulic system is designed with the sufficient means to protect the element.

| Material | max. Δp*collapse | Micron ratings available | Code |
|------------------------|--------------------|--------------------------|----------|
| Without filter element | - | - | O |
| Inorg. glass fibre | 25 bar / 363 PSI | 3, 5, 10, 20 | G |
| Inorg. glass fibre | 210 bar / 3045 PSI | | H |
| Stainless fibre | 210 bar / 3045 PSI | | M |
| Stainless mesh | 30 bar / 435 PSI | 25, 50, 100, 200 | S |

Note: * Collapse/burst resistance as per ISO 2941.

④ Micron Rating

| | |
|--------|------------|
| 3 µm | 03 |
| 5 µm | 05 |
| 10 µm | 10 |
| 20 µm | 20 |
| 25 µm | 25 |
| 50 µm | 50 |
| 100 µm | 100 |
| 200 µm | 200 |

Note: Other micron ratings on request.

⑤ Sealing Material

| | |
|---------------|----------|
| NBR (Buna-N®) | B |
| FKM (Viton®) | V |
| EPDM | E |

Note: Other sealing materials on request.

⑥ Connection Size

| Connection Size | Group | Code |
|-----------------|------------------|----------|
| | 008 | |
| Nominal Bore | NG6* (Ref.: D03) | B |

* ISO 4401-03-02-0-05 / DIN 24340-A6 / Cetop R 35 H

⑦ Clogging Indicator

| | |
|------------------------------|-------------|
| Without clogging indicator | O |
| Visual, with automatic reset | A |
| Visual, with manual reset | V |
| Electrical | E |
| Electrical, Deutsch plug | ED |
| Visual-electrical | P |
| Double Visual-electrical | D024 |

⑧ Thermostop

| | |
|--------------------|-------------|
| Without thermostop | none |
| With thermostop | T |

⑨ Voltage (only for Code P)

| | |
|----------|------------|
| 24 V DC | 024 |
| 110 V AC | 110 |
| 230 V AC | 230 |

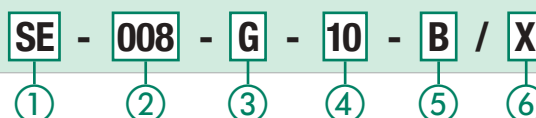
⑩ Design

| | |
|---------------|----------|
| Version right | R |
| Version left | L |

⑪ Design Code

| | |
|----------------------|----------|
| Only for information | X |
|----------------------|----------|

Filter Elements ■ Type SE



① Type

Filter Element Series **SE**

② Group

According to filter housing

③ Filter Material

Please note that the filter element is not protected by an internal bypass. Please be sure that the hydraulic system is designed with the sufficient means to protect the element.

| Material | max. Δp*collapse | Micron ratings available | Code |
|--------------------|--------------------|--------------------------|----------|
| Inorg. glass fibre | 25 bar / 363 PSI | 3, 5, 10, 20 | G |
| Inorg. glass fibre | 210 bar / 3045 PSI | | H |
| Stainless fibre | 210 bar / 3045 PSI | | M |
| Stainless mesh | 30 bar / 435 PSI | 25, 50, 100, 200 | S |

* Collapse/burst resistance as per ISO 2941.

④ Micron Rating

| | |
|--------|------------|
| 3 µm | 03 |
| 5 µm | 05 |
| 10 µm | 10 |
| 20 µm | 20 |
| 25 µm | 25 |
| 50 µm | 50 |
| 100 µm | 100 |
| 200 µm | 200 |

Note: Other micron ratings on request.

⑤ Sealing Material

| | |
|---------------|----------|
| NBR (Buna-N®) | B |
| FKM (Viton®) | V |
| EPDM | E |

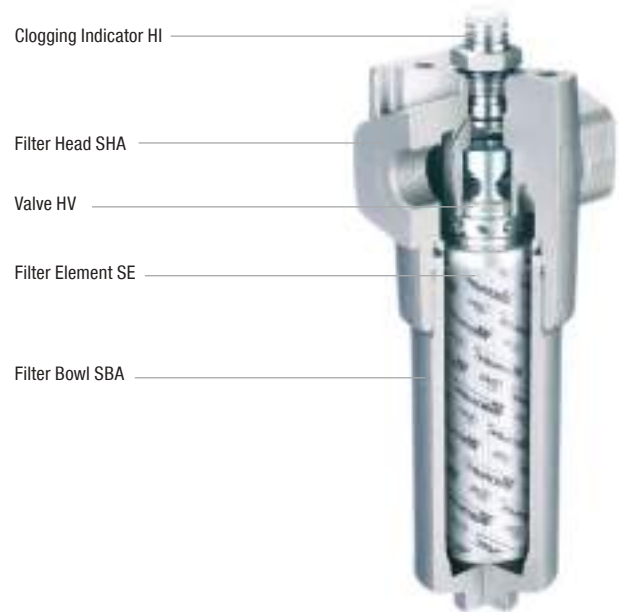
Note: Other sealing materials on request.

⑥ Design Code

| | |
|----------------------|----------|
| Only for information | X |
|----------------------|----------|



Medium Pressure Filters ■ Type SFA



Product Description

STAUFF SFA series Medium Pressure Filters are designed for in-line hydraulic applications with a maximum operating pressure of 160 bar / 2320 PSI. Used together with STAUFF SE series Filter Elements, a high efficiency of contamination removal is assured. The dirt-hold capacity of the elements ensures long service life, and as a result, reduced maintenance costs.

Technical Data

Construction

- Designed for in-line assembly, with threaded mounting holes on top of the head.

Materials

- Filter head: Cast Aluminium
- Filter bowl: Aluminium
- O-rings: NBR (Buna-N®)
FKM (Viton®)
EPDM (Ethylene-Propylene-Diene-Monomer-Rubber)
- Support ring: PTFE (Polytetrafluoroethylene)

Port Connections

- BSP
- NPT
- SAE O-ring thread
- SAE 3000 PSI (Code 61) flange

Operating Pressure

- SFA-014/030: Max. 160 bar / 2320 PSI
Max. 190 bar / 2755 PSI (according to ANSI T2.6.1. R2-2001)
- SFA-045/070: Max. 150 bar / 2175 PSI
Max. 171 bar / 2480 PSI (according to ANSI T2.6.1. R2-2001)

Burst Pressure

- Min. 480 bar / 6960 PSI

Temperature Range

- -10 °C ... +100 °C / +14 °F ... +212 °F

Filter Elements

- Specifications see page 52

Media Compatibility

- Mineral oils, other fluids on request

Options and Accessories

Valves

- Bypass valve: Allows unfiltered oil to bypass the contaminated element once the opening pressure has been reached, a differential pressure of $6^{+0.5}$ bar / $87^{+7.25}$ PSI Δp is the standard setting. Other settings available upon request.
- Reverse flow valve: Allows reverse flow through the filter head without backflushing the element.
- Non-return valve: Prevents draining of the delivery line during element change.
- Multi-function valve: Opening pressure $6^{+0.5}$ bar / $87^{+7.25}$ PSI
Bypass, reverse flow capability and non-return valve combined in one valve.

Clogging Indicators

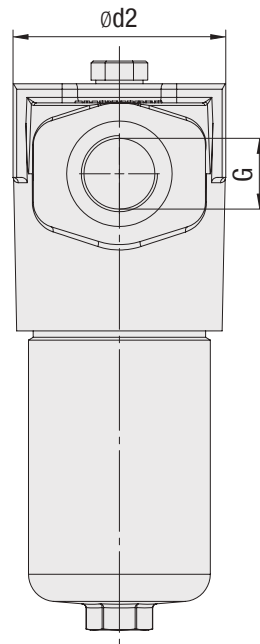
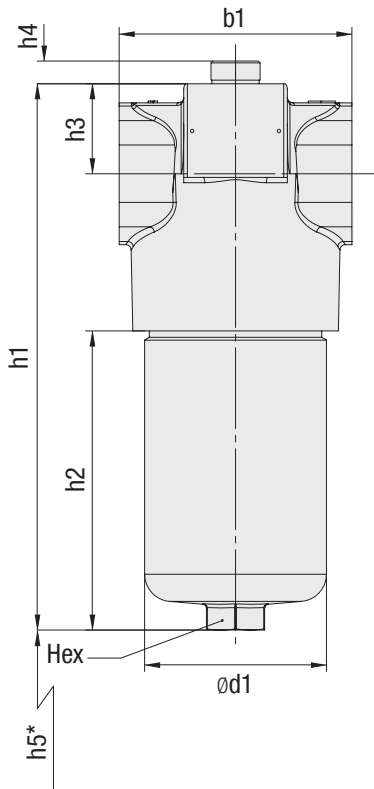
- Standard actuating pressure: $5_{-0.5}$ bar / $72.5_{-7.25}$ PSI Δp
Other actuating pressure settings are available upon request.
- Available indicators: Visual
Electrical
Visual-electrical (24 V DC, 110 V AC, 230 V AC versions)
Double Visual-electrical (24 V DC)



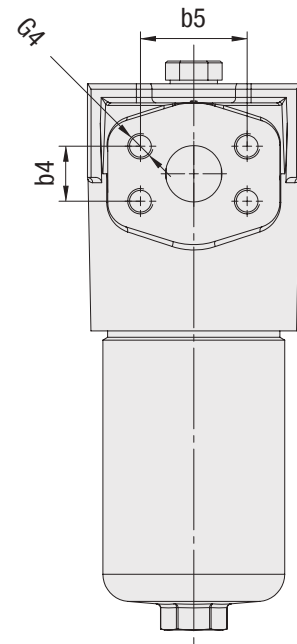
Medium Pressure Filters - Type SFA

G

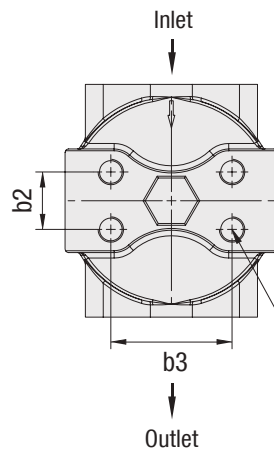
SFA-014...070



Threaded connection



Flange connection



G2: for BSP threads and metric flanges
 G3: for NPT- and SAE-threads and for UNC-flanges

* recommended space for element change



Medium Pressure Filters ■ Type SFA

| Thread Connection G | Filter Size SFA | | | |
|---------------------|-----------------|----------|----------|----------|
| | 014 | 030 | 045 | 070 |
| BSP | 3/4 | 3/4 | 1-1/4 | 1-1/4 |
| NPT | 3/4 | 3/4 | 1-1/4 | 1-1/4 |
| SAE O-ring Thread | 1-1/6-12 | 1-1/6-12 | 1-5/8-12 | 1-5/8-12 |
| SAE Flange 3000 PSI | 3/4 | 3/4 | 1-1/4 | 1-1/4 |
| Weight (kg/lbs) | 2,1 | 2,54 | 4,6 | 5,3 |
| | 4,7 | 5,6 | 10,2 | 11,8 |

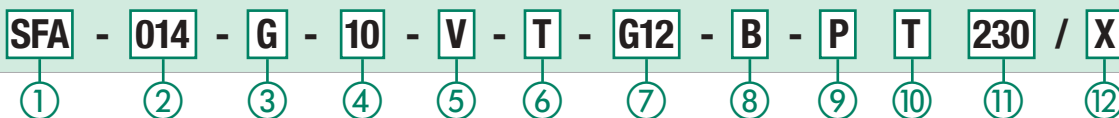
| Dimensions (mm/in) | Filter Size SFA | | | | |
|-----------------------------------|-----------------|-------------|-------------|-------------|-------------|
| | 014 | 030 | 045 | 070 | |
| b1 | 92 | 92 | 128 | 128 | |
| | 3.62 | 3.62 | 5.04 | 5.04 | |
| d1 | 72 | 72 | 100 | 100 | |
| | 2.83 | 2.83 | 3.93 | 3.93 | |
| d2 | 86 | 86 | 117 | 117 | |
| | 3.39 | 3.39 | 4.61 | 4.61 | |
| h1 | 187,5 | 255 | 241,5 | 301 | |
| | 7.38 | 10.04 | 9.51 | 11.85 | |
| h2 | 78 | 145,5 | 105 | 164,5 | |
| | 3.07 | 5.73 | 4.13 | 6.46 | |
| h3 | 40 | 40 | 49,5 | 49,5 | |
| | 1.58 | 1.58 | 1.95 | 1.95 | |
| h4 | 12,5 | 12,5 | 12,5 | 12,5 | |
| | .49 | .49 | .49 | .49 | |
| h5 | rec.* | 100 | 170 | 140 | 200 |
| | | 3.94 | 6.69 | 5.51 | 7.87 |
| | min.* | 85 | 85 | 120 | 120 |
| | | 3.35 | 3.35 | 4.72 | 4.72 |
| Hex | 27 | 27 | 32 | 32 | |
| | 1.05 | 1.05 | 1.25 | 1.25 | |
| Dimensions SAE Flange 3000 PSI | b4 | 22,3 | 22,3 | 30,2 | 30,2 |
| | | .88 | .88 | 1.19 | 1.19 |
| | b5 | 47,6 | 47,6 | 58,7 | 58,7 |
| | | 1.87 | 1.87 | 2.32 | 2.32 |
| | G4 | M10 x 15 or | M10 x 15 or | M10 x 18 or | M10 x 18 or |
| | | 3/8-16 UNC | 3/8-16 UNC | 7/16-14 UNC | 7/16-14 UNC |

Reference: rec.*: Recommended | min.*: Minimum

| Dimensions (mm/in) | Filter Size SFA | | | | |
|--------------------|-----------------|------------------|------------------|------------------|------------------|
| | 014 | 030 | 045 | 070 | |
| r | b2 | 23,8 | 23,8 | 31,6 | 31,6 |
| | | .94 | .94 | 1.24 | 1.24 |
| | b3 | 50,8 | 50,8 | 66,7 | 66,7 |
| | | 2.00 | 2.00 | 2.63 | 2.63 |
| | G2 | M10 x 15 | M10 x 15 | M14 x 17 | M14 x 17 |
| | G3 | 3/8-16 UNC x .59 | 3/8-16 UNC x .59 | 1/2-13 UNC x .59 | 1/2-13 UNC x .59 |



Medium Pressure Filter Housings / Complete Filters ■ Type SFA



① Type

Medium Pressure Filter **SFA**

② Group

| Flow | Size |
|-----------------------|------------|
| 60 l/min / 14 US GPM | 014 |
| 110 l/min / 30 US GPM | 030 |
| 160 l/min / 45 US GPM | 045 |
| 240 l/min / 70 US GPM | 070 |

Note: Exact flow will depend on the selected filter element.
For technical data please see pages 57 / 58.

③ Filter Material

| Material | max. Δp*collapse | Micron ratings available | Code |
|------------------------|--------------------|--------------------------|----------|
| Without filter element | - | - | O |
| Inorg. glass fibre | 25 bar / 363 PSI | 3, 5, 10, 20 | G |
| Inorg. glass fibre | 210 bar / 3045 PSI | | H |
| Stainless fibre | 210 bar / 3045 PSI | | A |
| Stainless mesh | 30 bar / 435 PSI | 25, 50, 100, 200 | S |

Note: * Collapse/burst resistance as per ISO 2941.

④ Micron Rating

| | |
|--------|------------|
| 3 µm | 03 |
| 5 µm | 05 |
| 10 µm | 10 |
| 20 µm | 20 |
| 25 µm | 25 |
| 50 µm | 50 |
| 100 µm | 100 |
| 200 µm | 200 |

Note: Other micron ratings on request.

⑤ Sealing Material

| | |
|---------------|----------|
| NBR (Buna-N®) | B |
| FKM (Viton®) | V |
| EPDM | E |

Note: Other sealing materials on request.

⑥ Connection Flange

| | |
|--------|----------|
| Type T | T |
|--------|----------|

⑦ Connection Style

| Connection Style | Thread Style | Group | | Code | | Code |
|---------------------|--------------|-----------|-----|------------|----------|------------|
| | | 014 | 030 | 045 | 070 | |
| BSP | - | 3/4 | | G12 | 1-1/4 | G20 |
| BSP | - | 1 | | G16 | 1-1/2 | G24 |
| NPT | - | 3/4 | | N12 | 1-1/4 | N20 |
| SAE O-ring Thread | - | 1-1/16-12 | | U12 | 1-5/8-12 | U20 |
| SAE Flange 3000 PSI | metric | 3/4 | | C312M | 1-1/4 | C320M |
| SAE Flange 3000 PSI | UNC | 3/4 | | C312U | 1-1/4 | C320U |
| SAE Flange 3000 PSI | metric | 1 | | C316M | - | - |
| SAE Flange 3000 PSI | UNC | 1 | | C316U | - | - |

Note: Other port connections on request. Bold types identify preferred connection styles.

⑧ Valve

| | |
|----------------------|----------|
| Without valve | O |
| Bypass valve | B |
| Reverse flow valve | R |
| Non-return valve | N |
| Multi-function valve | M |

⑨ Clogging Indicator

| | |
|------------------------------|-------------|
| Without clogging indicator | O |
| Visual, with automatic reset | A |
| Visual, with manual reset | V |
| Electrical | E |
| Electrical, Deutsch plug | ED |
| Visual-electrical | P |
| Double Visual-electrical | D024 |

⑩ Thermostop

| | |
|--------------------|-------------|
| Without thermostop | none |
| With thermostop | T |

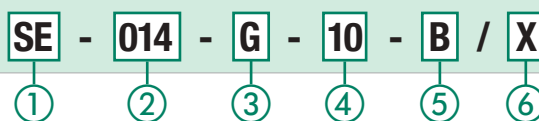
⑪ Voltage (only for Code P)

| | |
|----------|------------|
| 24 V DC | 024 |
| 110 V AC | 110 |
| 230 V AC | 230 |

⑫ Design Code

| | |
|----------------------|----------|
| Only for information | X |
|----------------------|----------|

Filter Elements ■ Type SE



① Type

Filter Element Series **SE**

② Group

According to filter housing

③ Filter Material

| Material | max. Δp*collapse | Micron ratings available | Code |
|-----------------------|--------------------|--------------------------|----------|
| Inorganic glass fibre | 25 bar / 363 PSI | 3, 5, 10, 20 | G |
| Inorganic glass fibre | 210 bar / 3045 PSI | | H |
| Stainless fibre | 210 bar / 3045 PSI | | A |
| Stainless mesh | 30 bar / 435 PSI | 25, 50, 100, 200 | S |

Note: Collapse/burst resistance as per ISO 2941.

④ Micron Rating

| | |
|--------|------------|
| 3 µm | 03 |
| 5 µm | 05 |
| 10 µm | 10 |
| 20 µm | 20 |
| 25 µm | 25 |
| 50 µm | 50 |
| 100 µm | 100 |
| 200 µm | 200 |

Note: Other micron ratings on request.

⑤ Sealing Material

| | |
|---------------|----------|
| NBR (Buna-N®) | B |
| FKM (Viton®) | V |
| EPDM | E |

Note: Other sealing materials on request.

⑥ Design Code

| | |
|----------------------|----------|
| Only for information | X |
|----------------------|----------|



Product Description (not available for SFZ)

The optional valves are fitted as an insert in the filter head and incorporate the spigot on which the element seals. The valve is selected to suit the filter application.

HVO **Non-bypass standard insert** without any valve function.
Element collapse rating should be higher than the system pressure

HVB **Bypass valve** which allows oil to bypass the element when the differential pressure across the element reaches $6^{+0.5}$ bar / $87^{+7.25}$ PSI. (Other pressure settings available on request). The opening pressure should be higher than the Δp setting of an optional clogging indicator. Low collapse 30 bar / 435 PSI Δp elements are normally used with this valve.

HVR **Reverse flow valve** is used in systems where there is flow in reverse through the filter. It allows reverse flow without backflushing the element but does not filter in the reverse direction. Element collapse rating should be higher than the system pressure.

HVN **Non-return valve**
This valve prevents the oil in the delivery line from draining out while the filter is being serviced. Because there is no bypass, the element collapse rating should be higher than system pressure.

HVM **Multi-function valve**
This valve combines the bypass, the reverse flow and the non-return functions in one unit. The by-pass opening pressure is $6^{+0.5}$ bar / $87^{+7.25}$ PSI Δp with other opening pressures available on request. The opening pressure should be higher than the Δp setting of an optional clogging indicator. Low collapse 30 bar / 435 PSI Δp elements are normally used with this valve.

Order Code

VALVE - **HVB** - **014/030** / **X**

①

②

③

④

① Type

| | |
|----------------------------|--------------|
| Valve for Pressure Filters | VALVE |
|----------------------------|--------------|

② Valve Type

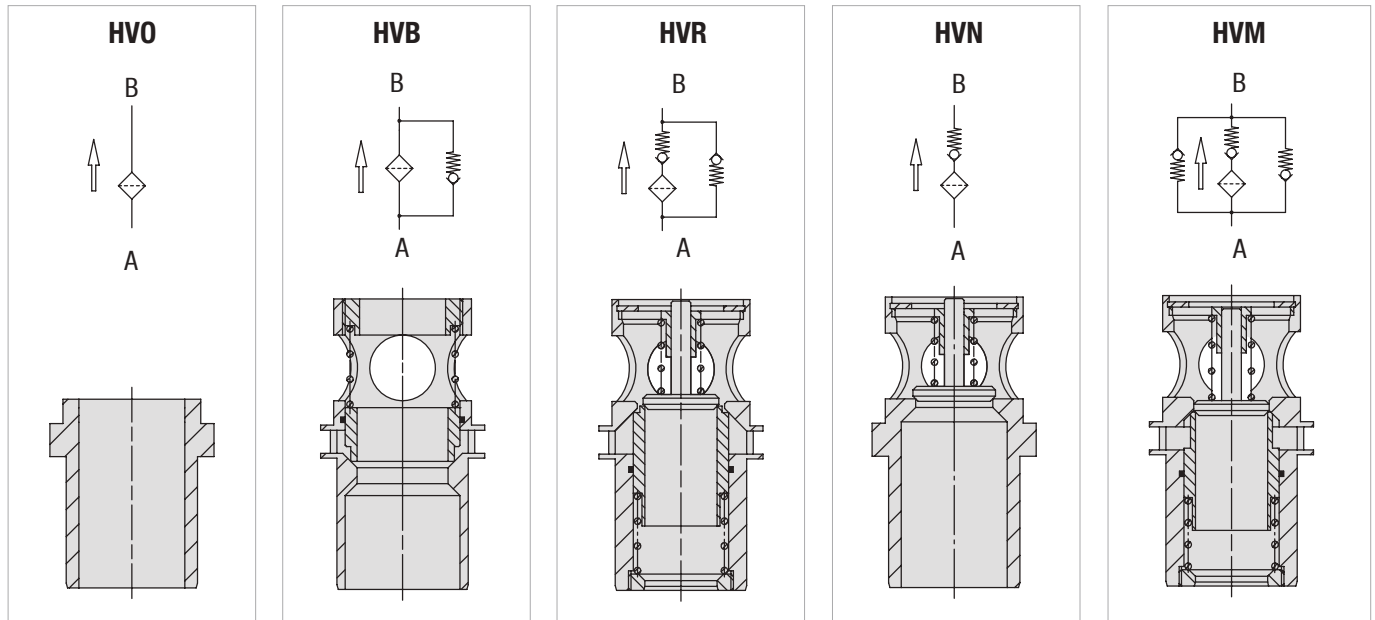
| | |
|--|------------|
| Non-bypass standard insert without any valve | HVO |
| Bypass valve | HVB |
| Reverse flow valve | HVR |
| Non-return valve | HVN |
| Multi-function valve | HVM |

③ Filter Group

| | |
|---------------------------------|----------------|
| For filter size 014/030 | 014/030 |
| For filter size 045/070/125 | 045/070 |
| For filter size 090/160/250/300 | 090/160 |

④ Design Code

| | |
|----------------------|----------|
| Only for information | X |
|----------------------|----------|



Flow characteristics of the valves see page 56.



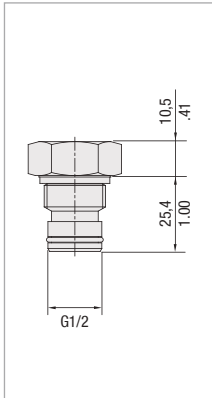
Clogging Indicators

Product Description

STAUFF Pressure Filters have a wide range of clogging indicators available. If no indicator is specified, the port is sealed by a plug (HI-0). The clogging indicators are actuated by the differential pressure (Δp) across the element. The special piston design minimizes the effects of peak pressures in the system. An optional thermal lockout (thermo-stop) is available to prevent false indication under cold start conditions. Fluid temperature have to be at least +20 °C / +68 °F for the indicator to function.

Plug Type HI-0 and visual Clogging Indicators Type HI-A and HI-V

HI-0



Technical Data

Materials

- Body: Stainless Steel

The visual clogging indicators are available in the following configurations:

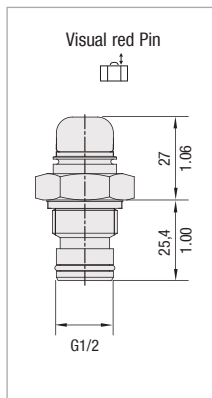
- Manual reset: The indicator continues to display the clogged signal even through the Δp may have fallen. Pressing the plastic cover down will reset the indicator.
- Automatic reset: The clogged signal will disappear when the Δp drops below the setting for the indicator.

Order Code

HI - A - T - B - B5.0 / X

① ② ③ ④ ⑤ ⑥

HI-A / HI-V



① Type

Clogging Indicator for Pressure Filters **HI**

② Indicator Type

Plug **O**
 Visual, automatic reset **A**
 Visual, manual reset **V**

③ Thermostop

Without thermostop **none**
 With thermostop **T**

③ Sealing Material

NBR (Buna-N®) **B**
 FKM (Viton®) **V**
 EPDM **E**

④ Differential Pressure Setting (only HI-A and HI-V)

1,72 bar / 25 PSI **B1.7**
 2,0 bar / 29 PSI **B2.0**
 2,5 bar / 36.3 PSI **B2.5**
 3,0 bar / 43.5 PSI **B3.0**
5,0 bar / 72.5 PSI (standard option) B5.0
 7,0 bar / 101.5 PSI **B7.0**

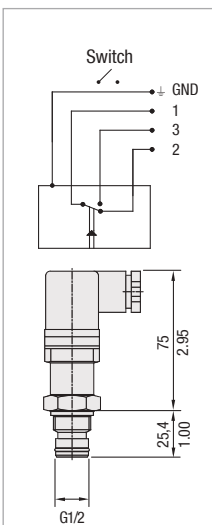
Note: Bold types identify standard option

⑤ Design Code

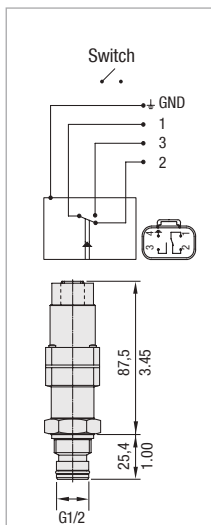
Only for information **X**

Electrical and Visual-electrical Clogging Indicators Type HI-E, HI-ED and HI-P

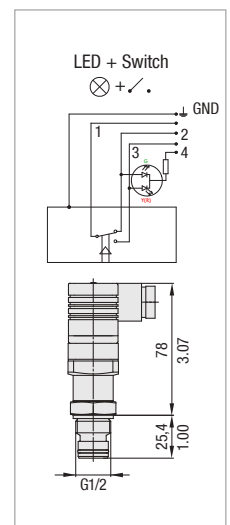
HI-E



HI-ED



HI-P



Continued on page 55.

Dimensional drawings: All dimensions in mm/in.



Clogging Indicators
Technical Data
Materials

- Body: Stainless Steel

Alarm outputs

- HI-E: electrical
- HI-ED: electrical
- HI-P: visual-electrical (LED red and green)

Electrical

- Plug according to DIN-EN 175301-803 A (DIN 43650-A).
- Screwed cable gland PG11
- Protection rating (DIN 40050) IP65
- Both NO and NC contacts are available in the switch, rated capacity: see chart below
- Deutsch plug

Note: The customer / user carries the responsibility for the electrical connection.

Rated Capacity

| Voltage V | Resistive Load A | Inductive Load A |
|---------------|------------------|------------------|
| 110 V AC | 5A | 3A |
| 230 V AC | 3A | 2A |
| 24 V DC | 4A | 3A |
| Max. Load | | |
| 24 V AC ± 10% | 1A | |

High voltage peaks occur when inductive loads are switched off. Protective circuitry should be employed to reduce contact burnout.

Order Code

HI - P T 230 - B - B5.0 / X

1
 2 3 4
 5
 6
 7

① Type

Clogging Indicator for Pressure Filters **HI**

② Indicator Type

electrical **E**
 Electrical, Deutsch plug **ED**
 Visual-electrical **P**

③ Thermostop

Without thermostop **none**
 With thermostop **T**

④ Voltage (only for Code P)

24 V DC **024**
 110 V AC **110**
 230 V AC **230**

⑤ Sealing Material

NBR (Buna-N®) **B**
 FKM (Viton®) **V**
 EPDM **E**

⑥ Differential Pressure Setting

| | |
|---|-------------|
| 1,72 bar / 25 PSI | B1.7 |
| 2,0 bar / 29 PSI | B2.0 |
| 2,5 bar / 36.3 PSI | B2.5 |
| 3,0 bar / 43.5 PSI | B3.0 |
| 5,0 bar / 72.5 PSI (standard option) | B5.0 |
| 7,0 bar / 101.5 PSI | B7.0 |

Note: Bold types identify standard option

⑦ Design Code

Only for information **X**

Product Description

The differential pressure indicator HI-D024 is a microprocessor controlled pressure switch with two alarm outputs for pre-alarm and shut-off. It is used to monitor the capacity of oil filters in oil-circulating systems. For this purpose, a microprocessor-controlled pressure sensor observes the dynamic pressure in front of the filter element or the differential pressure at the filter element. The pressure increases depending on the cumulative clogging of the filter. To avoid false alarms due to high viscosity during start-up, the device is equipped with a temperature control and time delay function.

Technical Data
Connection Thread

- G1/2

Operating Pressure

- Max. 420 bar / 6000 PSI

Temperature Range

- -20 °C ... +80 °C / -4 °F ... +176 °F
- ready for operation > 20 °C / 68 °F

Materials

- Body: Brass
- Sealing Material: NBR (Buna-N®)

Protection Rating

- IP 67

Rated Capacity

- Max. 0,2 A, 24 V DC

Operating Voltage

- 24 V DC

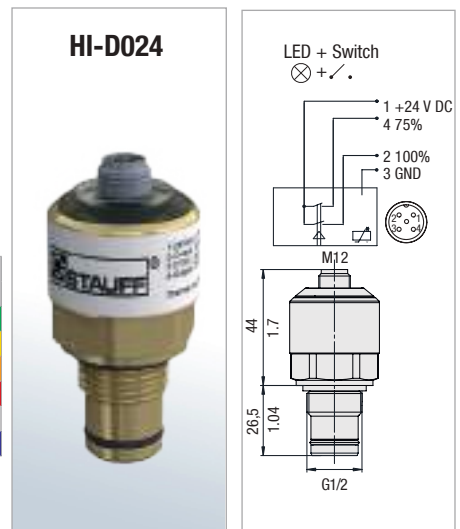
Alarm outputs (electrical)

- 3,8 ^{+10%} bar / 55.1 ^{+/- 10%} PSI
 $\Delta p = 75\%$ (Pin 4)
- 5 ^{+10%} bar / 72.5 ^{+/- 10%} PSI
 $\Delta p = 100\%$ (Pin 2)

Alarm outputs (visual)

| Range (%FS) | Color | T>T* (Thermo-stop) |
|-------------|----------------|--------------------|
| 0-50 | green | |
| 50-75 | yellow | |
| 75-100 | orange | |
| 100 | red (flashing) | |
| | | T<T* (Thermo-stop) |
| 0-100 | blue | |

T = Temperature
 T* = 20 °C / 68 °F

Double Visual-electrical Clogging Indicator

Order Code

HI-D-024-B-B5.0

①

① Type

Clogging Indicator for Pressure Filters

HI-D-024-B-B5.0

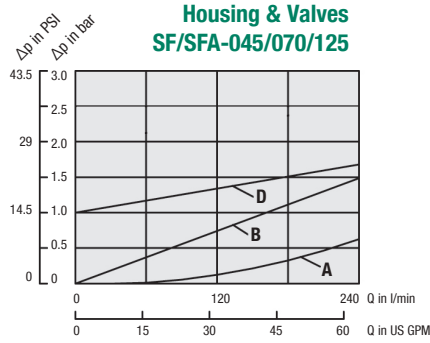
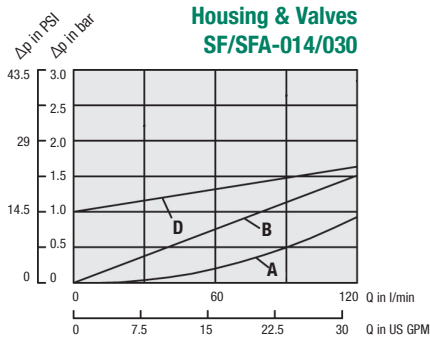
Dimensional drawings: All dimensions in mm/in.



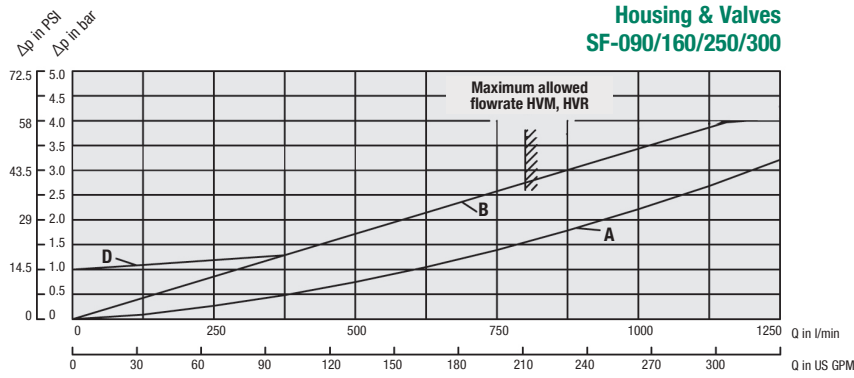
High and Medium Pressure Filters - Type SF / SF-TM / SFZ / SFA

The following characteristics are valid for mineral oils with a density of 0,85 kg/dm³ and the kinematic viscosity of 30 mm²/s (30 cSt). The characteristics have been determined in accordance to ISO 3968. Multipass filter ratings have been obtained in accordance to ISO 16889. Contact STAUFF for details.

C

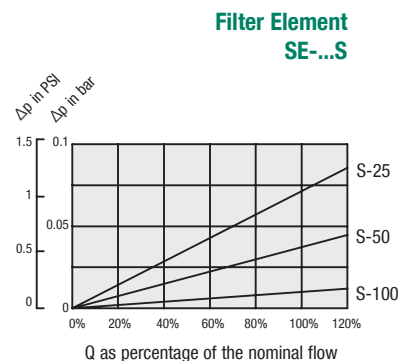
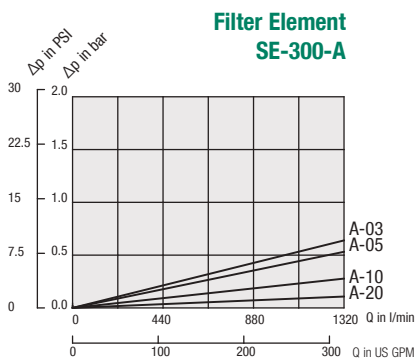
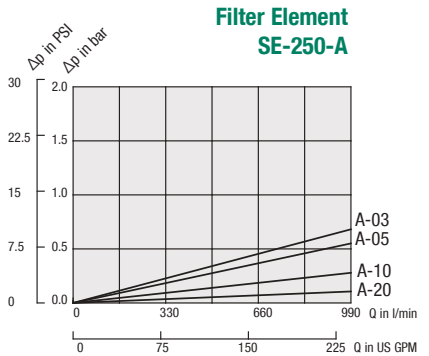
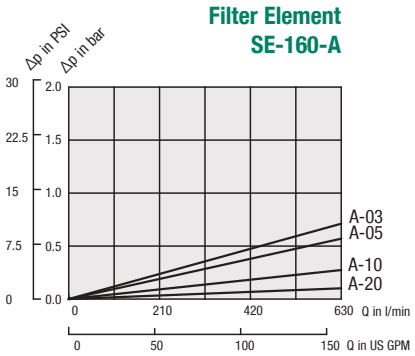
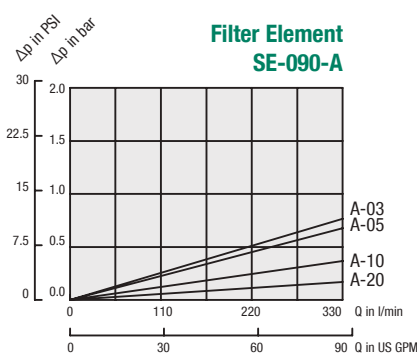
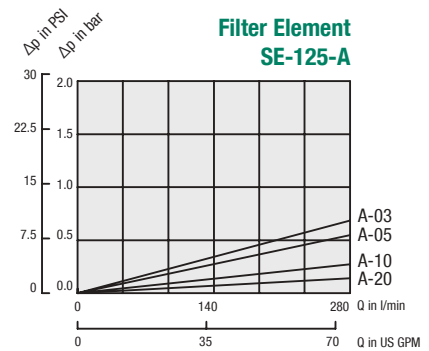
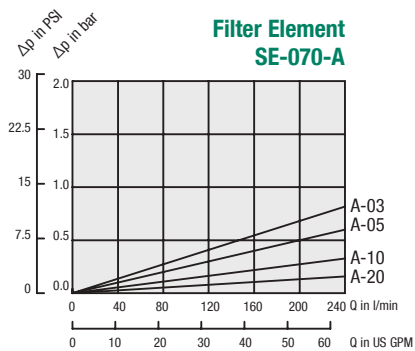
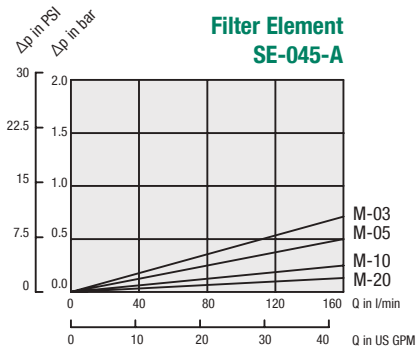
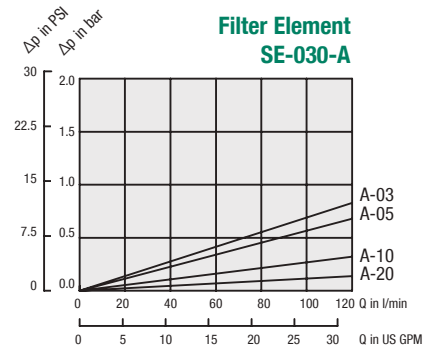
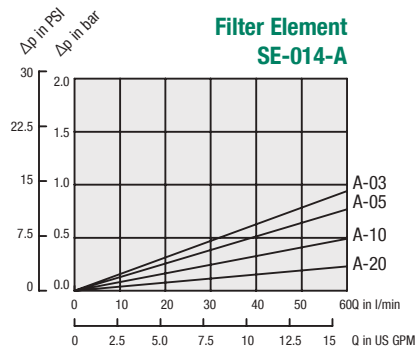
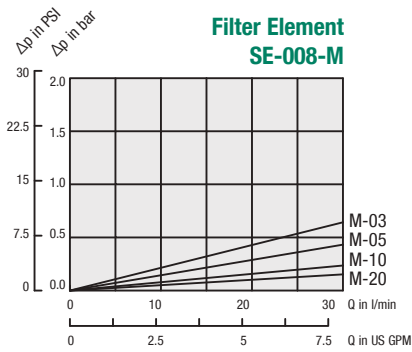


| Valve Configuration | Flow direction | Curve |
|-------------------------------|----------------|-------|
| Housing with HVO/IO or HVB/IB | Inlet → Outlet | A |
| HVM, HVR, HVN | Inlet → Outlet | B |
| HVM, HVR Reverse mode | Outlet → Inlet | D |



High and Medium Pressure Filters - Type SF / SF-TM / SFZ / SFA

The following characteristics are valid for mineral oils with a density of 0,85 kg/dm³ and the kinematic viscosity of 30 mm²/s (30 cSt). The characteristics have been determined in accordance to ISO 3968. Multipass filter ratings have been obtained in accordance to ISO 16889. Contact STAUFF for details.



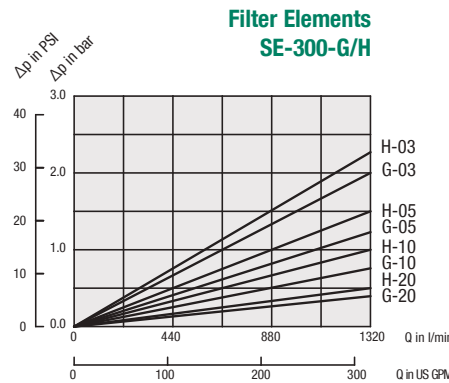
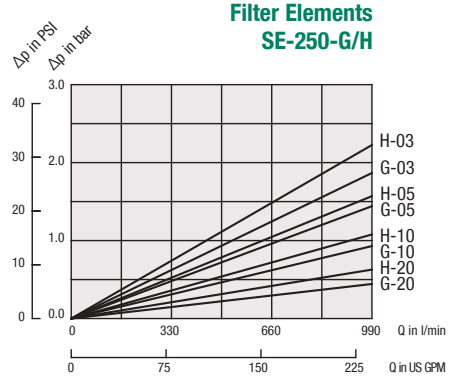
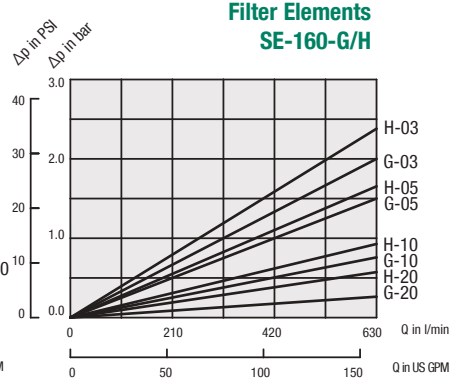
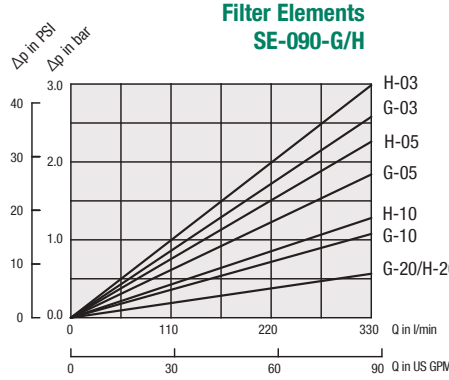
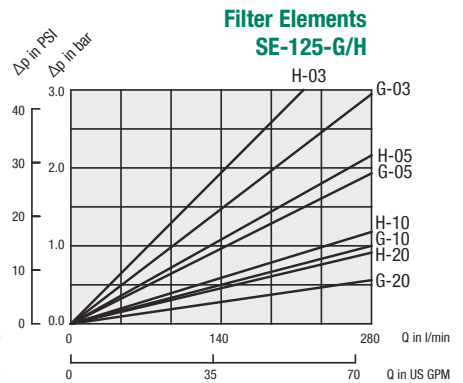
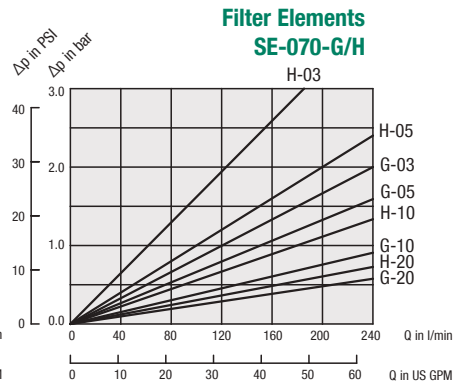
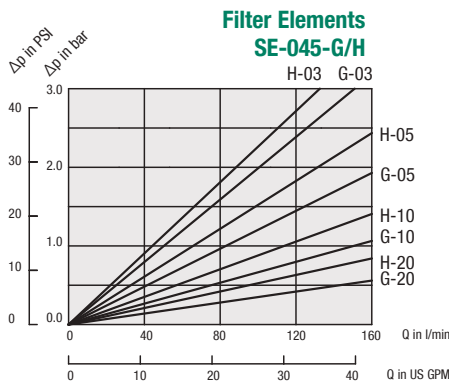
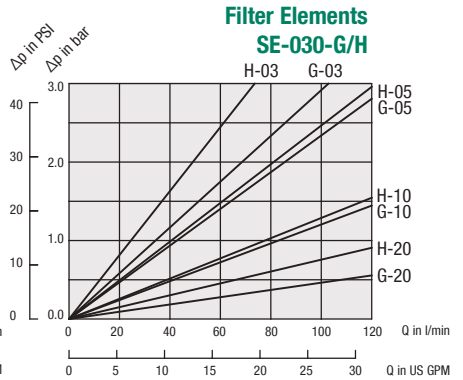
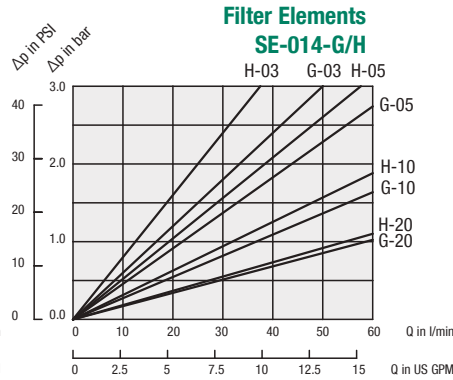
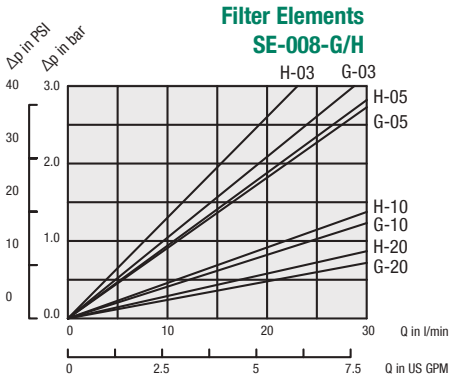
C



High and Medium Pressure Filters - Type SF / SF-TM / SFZ / SFA

The following characteristics are valid for mineral oils with a density of 0,85 kg/dm³ and the kinematic viscosity of 30 mm²/s (30 cst). The characteristics have been determined in accordance to ISO 3968. Multipass filter ratings have been obtained in accordance to ISO 16889. Contact STAUFF for details.

C



Medium Pressure Filters ▪ Type SMPF



C

Product Description

STAUFF SMPF Medium Pressure Filters are designed for in-line hydraulic applications with a maximum operating pressure of 110 bar / 1600 PSI. Used together with STAUFF Filter Elements, a high efficiency of contamination removal is assured.

Technical Data
Construction

- In-line assembly

Materials

- Filter head: Aluminium Alloy
- Filter bowl: Aluminium Alloy
- Sealings: NBR (Buna-N®)

Port Connections

- BSP
- SAE O-ring thread

Flow Rating

- Up to 90 l/min / 25 US GPM

Operating Pressure

- Max. 110 bar / 1600 PSI

Burst Pressure

- 300 bar / 4350 PSI

Temperature Range

- -25 °C ... +110 °C / -13 °F ... +230 °F

Filter Elements

- Specifications see page 62

Media Compatibility

- Mineral oils, other fluids on request

Options and Accessories
Valve

- Bypass valve: Allows unfiltered oil to bypass the contaminated element once the opening pressure has been reached
6 bar / 87 PSI \pm 10% is the standard actuating pressure

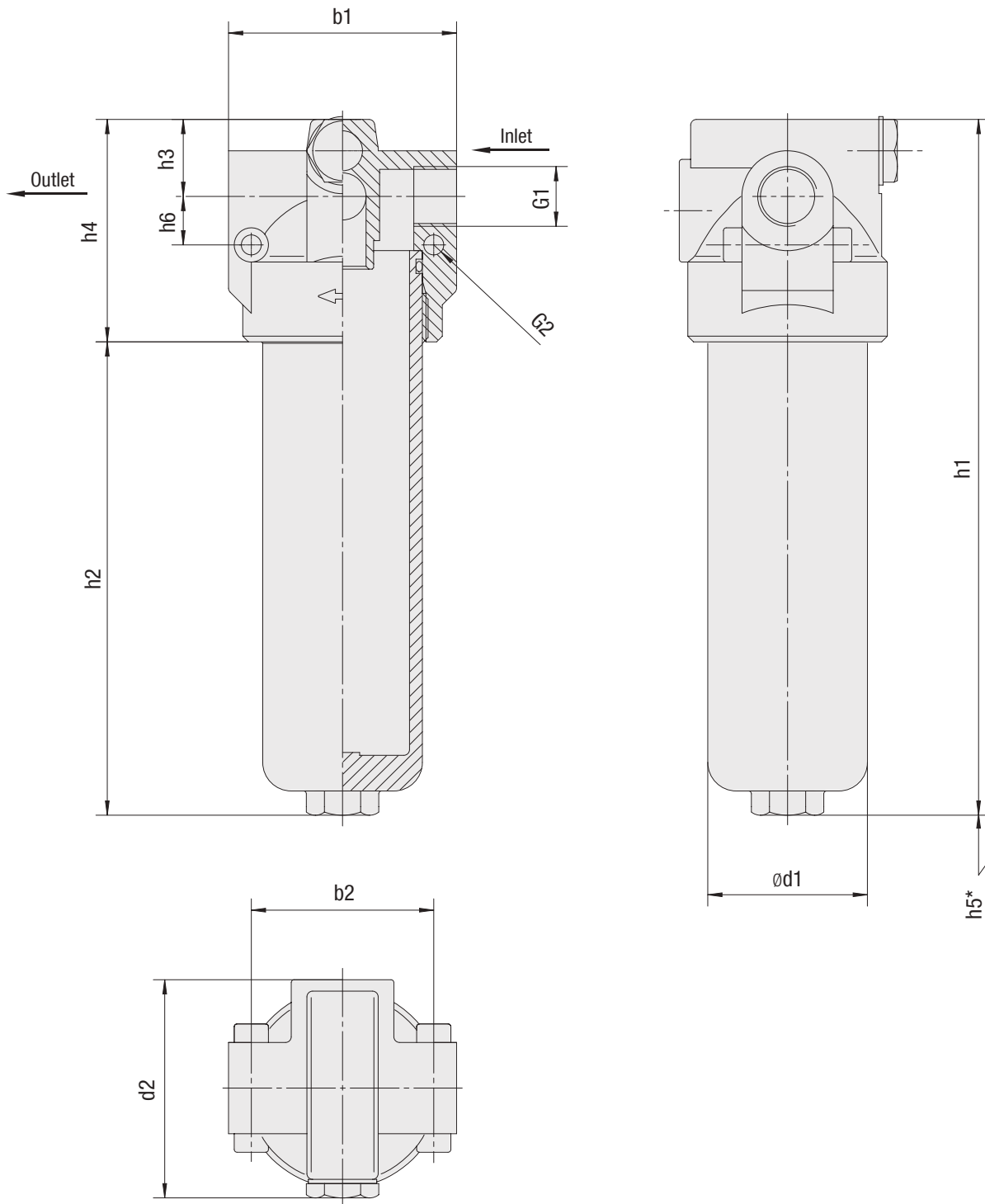
Clogging Indicators

- Standard actuating pressure: 5 bar / 72.5 PSI \pm 10%
- Available indicators: Visual
Visual-electrical



Medium Pressure Filters - Type SMPF

C



* recommended space for element change



Medium Pressure Filters ▪ Type SMPF

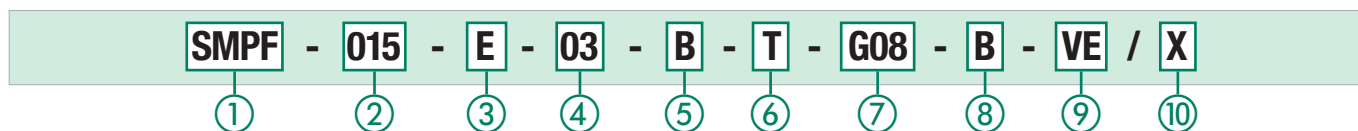
| Thread Connection G1 | Filter Size SMPF | |
|-------------------------------|------------------|--------|
| | 015 | 025 |
| Nominal Flow (l/min / US GPM) | 60 | 90 |
| | 15 | 25 |
| BSP | 1/2 | 1/2 |
| SAE O-ring thread | 3/4-16 | 3/4-16 |
| Weight (kg/lb) | 0,95 | 1,25 |
| | 2.09 | 2.76 |

| Dimensions (mm/in) | Filter Size SMPF | |
|--------------------|------------------|------|
| | 015 | 025 |
| b1 | 80 | 80 |
| | 3.15 | 3.15 |
| b2 | 64 | 64 |
| | 2.52 | 2.52 |
| d1 | 56 | 56 |
| | 2.20 | 2.20 |
| d2 | 76,5 | 76,5 |
| | 3.01 | 3.01 |
| h1 | 157 | 244 |
| | 6.18 | 9.61 |
| h2 | 79 | 166 |
| | 3.11 | 6.54 |
| h3 | 27 | 27 |
| | 1.06 | 1.06 |
| h4 | 78 | 78 |
| | 3.07 | 3.07 |
| h5 | 60 | 60 |
| | 2.36 | 2.36 |
| h6 | 17 | 17 |
| | .67 | .67 |
| G2 | 7 | 7 |
| | .28 | .28 |

C



Medium Pressure Filter Housings / Complete Filters ■ Type SMPF



① **Type**
Medium Pressure Filter **SMPF**

② **Group**

| Flow | Size |
|----------------------|------------|
| 60 l/min / 15 US GPM | 015 |
| 90 l/min / 25 US GPM | 025 |

Note: Exact flow will depend on filter element selected
For technical data please see page 64.

③ **Filter Material**

| Material | Max. Δp*collapse | Micron ratings available | Code |
|------------------------|------------------|--------------------------|----------|
| Without filter element | - | - | 0 |
| Inorg. glass fibre | 20 bar / 290 PSI | 03,05,10,20 | E |
| Stainless mesh | 20 bar / 290 PSI | 60 | S |

* Note: Collapse/burst resistance as per ISO 2941.
Other materials on request.

④ **Micron Rating**

| | |
|-------|-----------|
| 3 µm | 03 |
| 5 µm | 05 |
| 10 µm | 10 |
| 20 µm | 20 |
| 60 µm | 60 |

Note: Other micron ratings on request.

⑤ **Sealing Material**
NBR (Buna®) **B**
Note: Other sealing materials on request.

⑥ **Mounting Style**
In-line **T**

⑦ **Connection Style**

| | | |
|-------------------|--------|------------|
| BSP | 1/2 | G08 |
| SAE O-ring thread | 3/4-16 | U08 |

⑧ **Valve**

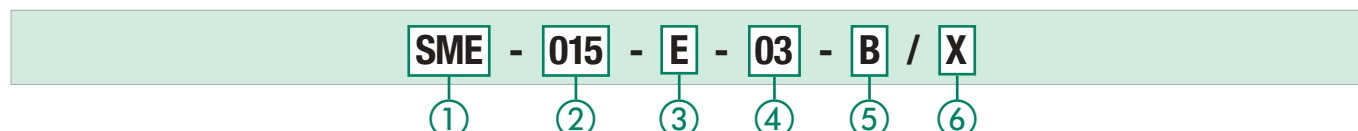
| | |
|---------------|----------|
| Without valve | 0 |
| Bypass valve | B |

⑨ **Clogging Indicator**

| | |
|----------------------------|-----------|
| Without Clogging Indicator | 0 |
| Visual | V |
| Visual-electrical | VE |

⑩ **Design Code**
Only for information **X**

Filter Elements ■ Type SME



① **Type**
Filter Element Series **SME**

② **Group**
According to filter housing

③ **Filter Material**

| Material | Max. Δp*collapse | Micron ratings available | Code |
|--------------------|------------------|--------------------------|----------|
| Inorg. glass fibre | 20 bar / 290 PSI | 03,05,10,20 | E |
| Stainless mesh | 20 bar / 290 PSI | 60 | S |

* Note: Collapse/burst resistance as per ISO 2941.
Other materials on request.

④ **Micron Rating**

| | |
|-------|-----------|
| 3 µm | 03 |
| 5 µm | 05 |
| 10 µm | 10 |
| 20 µm | 20 |
| 60 µm | 60 |

Note: Other micron ratings on request.

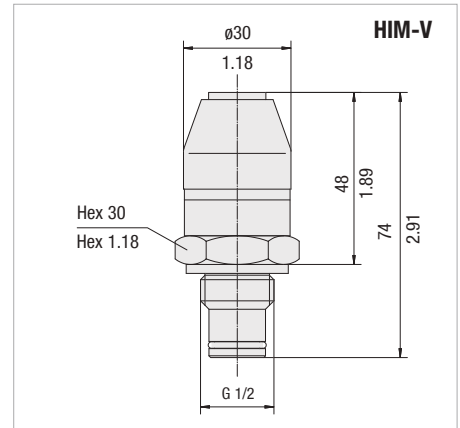
⑤ **Sealing Material**
NBR (Buna®) **B**
Note: Other sealing materials on request.

⑥ **Design Code**
Only for information **X**

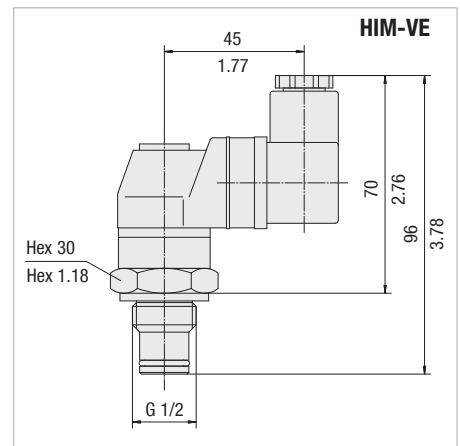


Medium Pressure Filters - Type SMPF
Visual Clogging Indicator

Part number **HIM-V** is a clogging indicator actuated by the differential pressure across the filter element. The actuating pressure of 5 bar / 72.5 PSI allows the clogged element to be changed before the bypass setting of 6 bar / 87 PSI is reached.


Visual-Electrical Clogging Indicator

Part number **HIM-VE** is used when an electrical signal is needed to indicate when the element needs changing. It is actuated by the differential pressure across the filter element. The actuating pressure of 5 bar / 72.5 PSI allows the clogged element to be changed before the bypass setting of 6 bar / 87 PSI is reached.

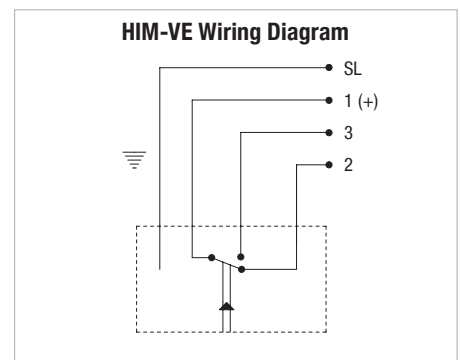


Dimensions in mm / in

HIM-VE Rated Capacity

| Voltage V | Resistive Load A | Inductive Load A |
|--------------|---------------------|---------------------|
| 125 V AC | 5 | 5 |
| 250 V AC | 5 | 5 |
| 15 V AC | 10 | 10 |
| 30 V DC | 5 | 5 |
| 50 V DC | 1 | 1 |
| 125 V DC | 0.50 | 0.06 |

Note: The customer / user carries the responsibility for the electrical connection.


Order Code

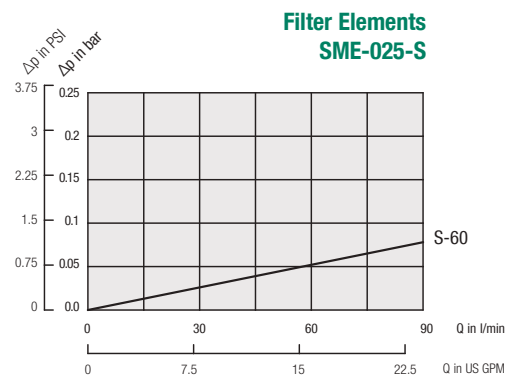
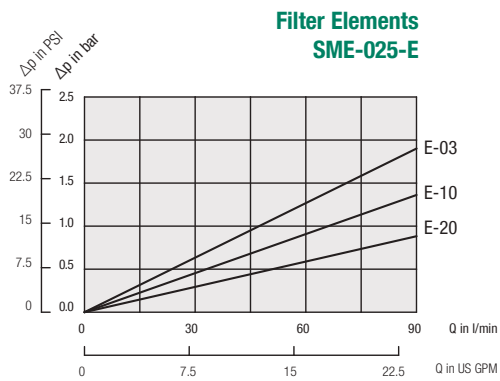
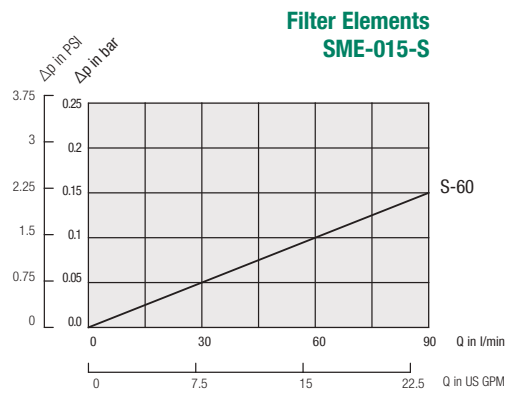
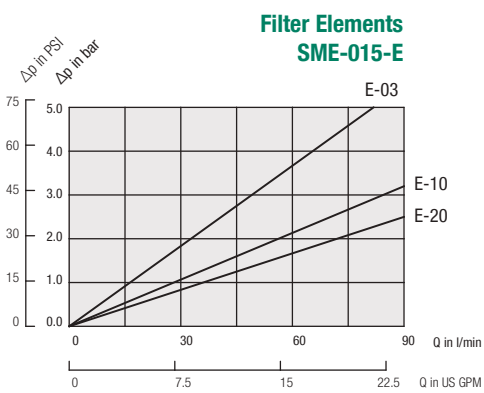
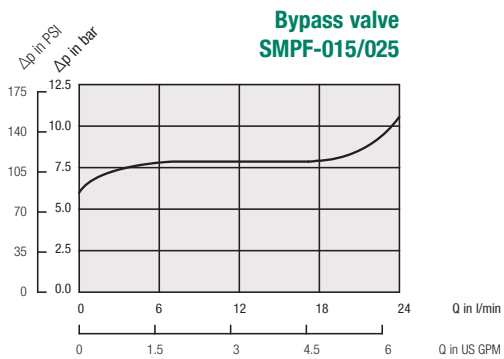
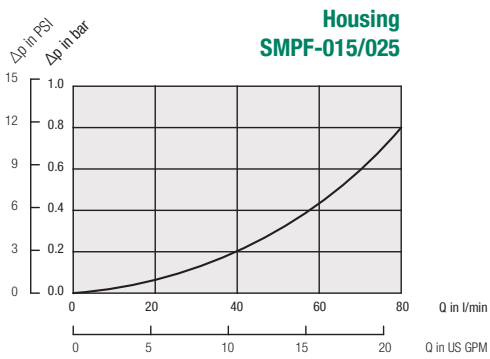
| | | | | |
|--|---|---|--|---|
| HIM - V - B - B5.0 / X | | | | |
| ① | ② | ③ | ④ | ⑤ |
| ① Type Clogging Indicator SMPF Series HIM | ② Indicator Type Visual V Visual-electrical VE | ③ Sealing Material NBR (Buna®) B | ④ Differential Pressure Setting 5,0 bar / 72.5 PSI B5.0 | ⑤ Design Code Only for information X |



Medium Pressure Filters - Type SMPF Flow Characteristics

The following characteristics are valid for mineral oils with a density of 0,85 kg/dm³ and the kinematic viscosity of 30 mm²/s (30 cSt). The characteristics have been determined in accordance to ISO 3968. Multipass filter ratings have been obtained in accordance to ISO 16889. Contact STAUFF for details.

C



Checklist for the selection of filter housings

Please use the following Checklist as a guideline when preparing an enquiry for the selection of filter housings. Scan or copy the page from the catalogue, print and com-

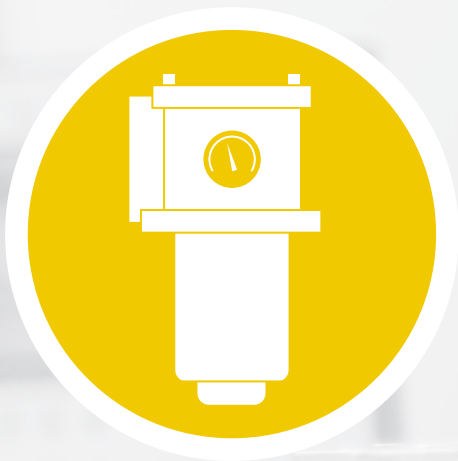
plete it with as much information as possible, before sending it by email or fax to the closest STAUFF branch office. If possible, please also let us know the quantities required,

and if the enquiry is for a one-time or recurring demand. We look forward to hearing from you, and are always available for consultation, when required.

| | | | | | |
|--|--------------------------|--------------------------|--------------------------|--------------------------|--------------------------|
| Information on the fluid in use | | | | | |
| Type of fluid | <input type="text"/> | Brand | <input type="text"/> | ISO designation | |
| Fluid viscosity | <input type="text"/> | <input type="checkbox"/> | mm ² /sec | <input type="checkbox"/> | cSt |
| Fluid temperature | <input type="text"/> | °C | <input type="checkbox"/> | °F | <input type="text"/> |
| | | | <input type="checkbox"/> | In cold condition | <input type="text"/> |
| | | | | | <input type="checkbox"/> |
| | | | | In warm condition | |
| Information on the filter housing | | | | | |
| Position in the hydraulic system | <input type="checkbox"/> | Suction line | <input type="checkbox"/> | Pressure line | <input type="checkbox"/> |
| | | | | Return line | |
| Operating pressure | <input type="text"/> | <input type="checkbox"/> | bar | <input type="checkbox"/> | PSI |
| Nominal flow | <input type="text"/> | <input type="checkbox"/> | l/min | <input type="checkbox"/> | US GPM |
| Valve | <input type="checkbox"/> | No, not required | | | |
| | <input type="checkbox"/> | Yes, the following type: | <input type="checkbox"/> | Bypass valve | <input type="checkbox"/> |
| | | | <input type="checkbox"/> | Non-return valve | <input type="checkbox"/> |
| | | | <input type="checkbox"/> | Reverse flow valve | <input type="checkbox"/> |
| | | | <input type="checkbox"/> | Multi-function valve | |
| Clogging indicator | <input type="checkbox"/> | No, not required | | | |
| | <input type="checkbox"/> | Yes, the following type: | <input type="checkbox"/> | Visual | <input type="checkbox"/> |
| | | | <input type="checkbox"/> | Electrical | <input type="checkbox"/> |
| | | | <input type="checkbox"/> | Visual-electrical | |
| Connection type and size | <input type="text"/> | | | | |
| Sealing material | <input type="checkbox"/> | NBR (Buna®) | <input type="checkbox"/> | FKM (Viton®) | <input type="text"/> |
| | | | | Other | |
| Information on the filter element | | | | | |
| Filter media | <input type="checkbox"/> | Inorganic Glass Fibre | <input type="checkbox"/> | Polyester Fibre | <input type="checkbox"/> |
| | | | <input type="checkbox"/> | Cellulose Fibre | <input type="checkbox"/> |
| | | | | Stainless Fibre | <input type="checkbox"/> |
| | | | | Stainless Mesh | |
| Micron rating | <input type="text"/> | µm | | | |
| Cleanliness level | <input type="text"/> | (to ISO 4406) | | | |
| Information on the application | <input type="text"/> | | | | |
| Information on the ambient conditions | <input type="text"/> | | | | |
| Additional information and requirements | <input type="text"/> | | | | |

C





Overview Return-Line Filters 68

RF / RFA / RFB / RFS / RFS-D / RTF / RTF-N



Return-Line Filters **RF** 69 - 76
 Max. 16 bar / 232 PSI
 Max. 500 l/min / 130 US GPM

Technical Data / Dimensions 70 - 71

Order Code - Return-Line Filter 72

Order Code - Filter Elements 72

Options - Clogging Indicators 73 - 74

Flow Characteristics 75 - 76



Return-Line Filters **RFA** 77 - 83
 Max. 25 bar / 365 PSI
 Max. 110 l/min / 30 US GPM

Technical Data / Dimensions 78 - 79

Order Code - Return-Line Filter 80

Order Code - Filter Elements 80

Options - Clogging Indicators 81 - 82

Flow Characteristics 83

Checklist for the selection of filter housings 84



Return-Line Filters **RFB** 85 - 91
 Max. 10 bar / 145 PSI
 Max. 185 l/min / 52 US GPM







Technical Data / Dimensions 86 - 87

Order Code - Return-Line Filter 88

Order Code - Filter Elements / Air Filter Elements 88

Options - Clogging Indicators 89 - 90

Flow Characteristics 91

| | | | | | |
|---|---|---------------------|------------------|---|---|
| | Checklist for the selection of filter housings | 92 | | | |
|  | Return-Line Filters Max. 25 bar / 365 PSI Max. 1135 l/min / 300 US GPM | RFS / RFS-D | 93 - 102 |  | Return-Line Filters Max. 6,9 bar / 100 psi Max. 379 l/min / 100 US GPM |
| | Technical Data / Dimensions | | 94 - 97 | | Technical Data / Dimensions |
| | Order Code - Return-Line Filter | | 98 | | Order Code - Return-Line Filter |
| | Order Code - Filter Elements | | 98 | | Order Code - Filter Elements |
| | Options - Clogging Indicators | | 99 - 100 | | |
| | Flow Characteristics | | 101 - 102 | | |
|  | Return-Line Filters Max. 6,9 bar / 100 PSI Max. 95 l/min / 25 US GPM | RTF-10/15/25 | 103 - 106 |  | Return-Line Filters Max. 10 bar / 145 psi Max. 500 l/min / 132 GPM |
| | Technical Data / Dimensions | | 104 - 105 | | Technical Data / Dimensions |
| | Order Code - Return-Line Filter | | 106 | | Order Code - Return-Line Filter |
| | Order Code - Filter Elements | | 106 | | Order Code - Filter Elements |
| | | | | | Flow Characteristics |
| | | | | | RTF |
| | | | | | Options - Clogging Indicators |
|  | Return-Line Filters Max. 6,9 bar / 100 PSI Max. 115 l/min / 30 US GPM | RTF-20 | 107 - 110 | | |
| | Technical Data / Dimensions | | 108 - 109 | | |
| | Order Code - Return-Line Filter | | 110 | | |
| | Order Code - Filter Elements / Air Filter Elements | | 110 | | |
|  | Return-Line Filters Max. 6,9 bar / 100 psi Max. 378 l/min / 100 US GPM | RTF-40 | 111 - 114 | | |
| | Technical Data / Dimensions | | 112 - 113 | | |
| | Order Code - Return-Line Filter | | 114 | | |
| | Order Code - Filter Elements | | 114 | | |

D


Description

STAUFF Return-Line Filters were designed as filters for tank-top mounting, tank-inside mounting or inline mounting. They filter the hydraulic oil before it flows back into the reservoir. This ensures that contamination arising in the components does not get into the tank. Return-Line filters maintain the targeted purity class like Pressure Filters. However, because of their arrangement, they do not fulfil the additional function of a protection filter. In contrast to a Pressure Filter, it only has to withstand low pressure levels.

The practical design of STAUFF Return-Line Filters enables quick assembly as well as easy exchange of the filter elements.

Media Compatibility

- Mineral oils, others on request

Options and Accessories

Valves

- Bypass valve integrated in the filter element (except STAUFF Return-Line Filter RTF)

Clogging Indicators

- On request with visual clogging indicator or electrical clogging switch
- Others on request



Type RF

- Filter bowl with option of thread connection (e.g. STAUFF Diffuser SRV) or leakage oil connection
- Operating pressure: max. 16 bar / 232 PSI
- Nominal flow rate: max. 500 l/min / 130 US GPM
- Materials: Filter head: Aluminium, Filter bowl: PA
- Connections: BSP, NPT, SAE thread or SAE flange (ISO 6162-1)



Type RFA

- Filter bowl with option of thread connection (e.g. STAUFF Diffuser SRV) or leakage oil connection
- Operating pressure: max. 25 bar / 365 PSI
- Nominal flow rate: max. 110 l/min / 30 US GPM
- Materials: Filter housing: Aluminium
- Connection: SAE thread



Type RFB

- Low weight and compact design
- Filter bowl with option of thread connection
- Filter head with option of integrated air filter
- Operating pressure: max. 10 bar / 145 PSI
- Nominal flow rate: max. 185 l/min / 52 US GPM
- Materials: Filter head: Aluminium, Filter bowl: PA
- Connections: BSP, NPT, SAE thread



Type RFS and RFS-D

- Robust design, suitable for high flow rates
- Filter bowl with option of BSP or SAE flange
- Operating pressure: max. 25 bar / 365 PSI
- Nominal flow rate: max. 1135 l/min / 300 US GPM
- Materials: Filter head and bowl: Steel
- Connections: BSP or SAE flange (ISO 6162-1)



Type RTF

- Filter bowl is designed to return the oil beneath the surface thus preventing entrainment of air
- Filter head with option of integrated air filter
- Operating pressure: max. 10 bar / 49 PSI
- Nominal flow rate: max. 380 l/min / 100 US GPM
- Materials: Filter head: Aluminium, Filter bowl: PA or Steel
- Connection: BSP or NPT, others on request

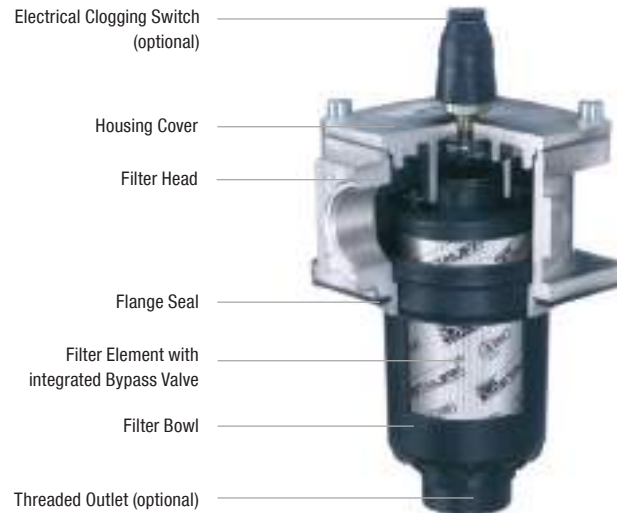


Type RTF-N

- Return-Line insert filter
- Custom reservoir design with an in-tank filtering system
- Magnetic pre-filtration
- Operating pressure: max. 10 bar / 145 PSI
- Nominal flow rate: max. 500 l/min / 132 US GPM
- Materials: Flange plate: Aluminium, Magnet rod / Bypass / Diffuser: Steel



Return-Line Filters ■ Type RF



D

Product Description

STAUFF RF Return-Line Filters are designed as tank top filters. They are mounted directly on the tank top and when 100% of the system's oil is filtered they provide the optimum removal of contaminant from the system. This provides the pump with clean oil thus reducing contaminant generated wear. The filter bowl is designed to return the oil beneath the surface thus preventing the entrainment of air by the returning oil. A high efficiency of contaminant removal is assured by using STAUFF RE Replacement Filter Elements. The high dirt-hold capacity of STAUFF Elements ensures a long service life and as a result reduced maintenance costs.

Technical Data
Construction

- Tank Top flange mounting

Materials

- Filter head: Aluminium
- Filter bowl: Glass Fibre reinforced Polyamide
- Sealings: NBR (Buna-N®)
FKM (Viton®)
EPDM (Ethylene-Propylene-Diene-Monomer-Rubber)
Other sealing materials on request

Port Connections

- BSP
- NPT
- SAE O-ring thread
- SAE flange 3000 PSI

Operating Pressure

- Max. 16 bar / 232 PSI

Temperature Range

- -10 °C ... +100 °C / +14 °F ... +212 °F

Filter Elements

- Specifications see page 72

Media Compatibility

- Mineral oils, other fluids on request

Options and Accessories
Valve

- Bypass valve (integrated in the filter element): Opening pressure 3 bar ± 0,3 bar / 43.5 PSI ± 4.35 PSI
Other settings available on request

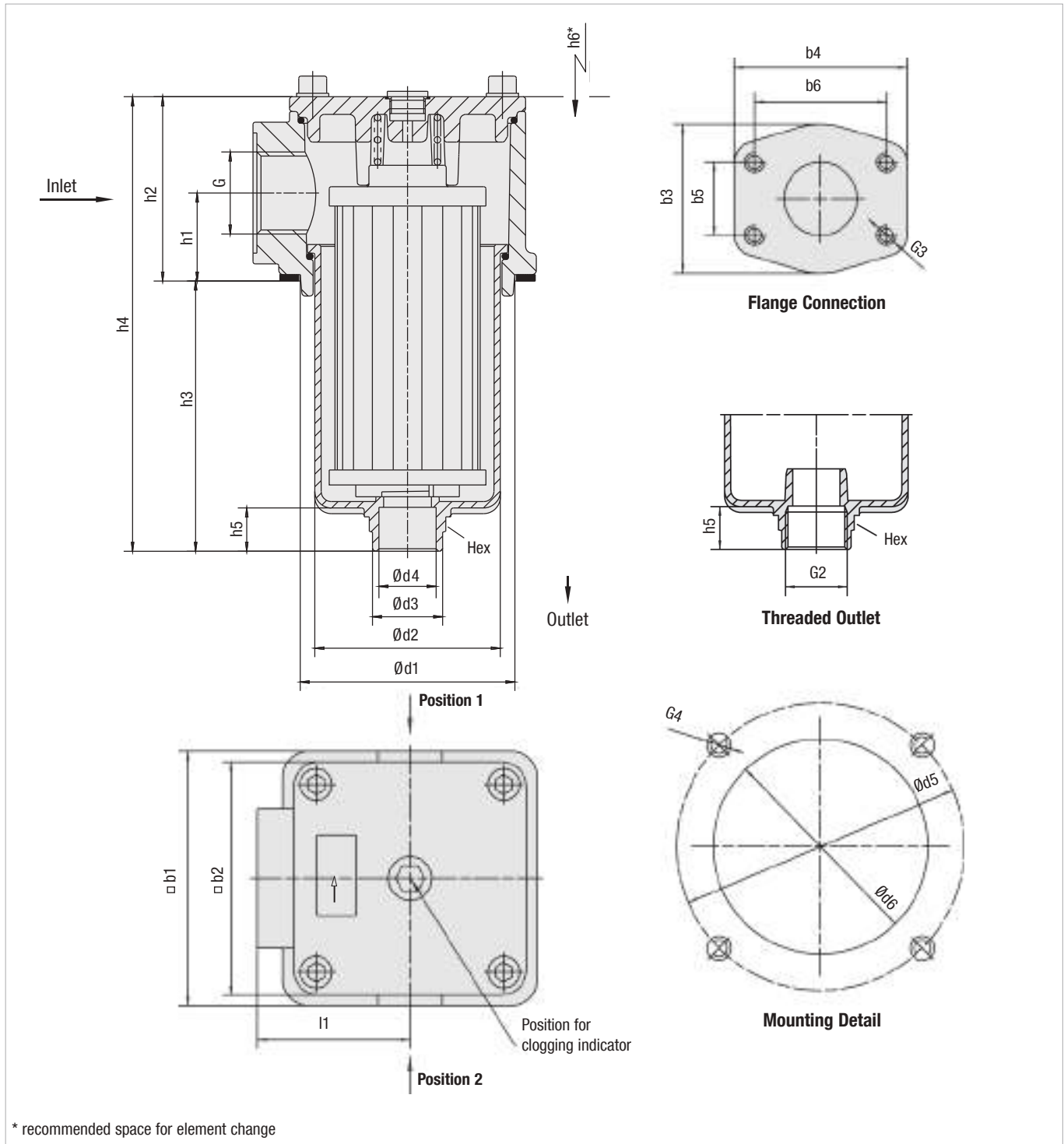
Clogging Indicators

- For clogging indicator types please see page 73



Return-Line Filters - Type RF

D



Return-Line Filters ■ Type RF

| Thread Connection G | Filter Size RF | | | | | |
|---------------------|----------------|-----------|----------|----------|----------|----------|
| | 014 | 030 | 045 | 070 | 090 | 130 |
| BSP | 3/4 | 1 | 1-1/4 | 1-1/2 | 2 | 2 |
| NPT | 3/4 | 1 | 1-1/4 | 1-1/2 | 2 | 2 |
| SAE O-ring Thread | 1-1/16-12 | 1-5/16-12 | 1-5/8-12 | 1-7/8-12 | 1-7/8-12 | 1-7/8-12 |
| SAE Flange 3000 PSI | - | - | - | - | 2 | 2 |

| Dimensions (mm/in) | Filter Size RF | | | | | |
|--------------------|---------------------|---------------------|------------------------|------------------------|------------------------|------------------------|
| | 014 | 030 | 045 | 070 | 090 | 130 |
| b1 | 89 | 89 | 120 | 120 | 150 | 150 |
| | 3.50 | 3.50 | 4.72 | 4.72 | 5.91 | 5.91 |
| b2 | 80 | 80 | 110 | 110 | 135 | 135 |
| | 3.15 | 3.15 | 4.33 | 4.33 | 5.31 | 5.31 |
| b3 | - | - | - | - | 88 | 88 |
| | - | - | - | - | 3.47 | 3.47 |
| b4 | - | - | - | - | 102 | 102 |
| | - | - | - | - | 4.02 | 4.02 |
| b5 | - | - | - | - | 42,9 | 42,9 |
| | - | - | - | - | 1.69 | 1.69 |
| b6 | - | - | - | - | 77,8 | 77,8 |
| | - | - | - | - | 3.06 | 3.06 |
| d1 | 73 | 73 | 100 | 100 | 126 | 126 |
| | 2.87 | 2.87 | 3.94 | 3.94 | 4.96 | 4.96 |
| d2 | 57,5 | 57,5 | 84 | 84 | 112,5 | 112,5 |
| | 2.26 | 2.26 | 3.31 | 3.31 | 4.43 | 4.43 |
| d3 | 36 | 36 | 48 | 48 | 54,5 | 54,5 |
| | 1.42 | 1.42 | 1.89 | 1.89 | 2.15 | 2.15 |
| d4 | 17 | 17 | 28 | 28 | 37,5 | 37,5 |
| | .67 | .67 | 1.1 | 1.1 | 1.48 | 1.48 |
| d5 | 100 | 100 | 135 | 135 | 170 | 170 |
| | 3.94 | 3.94 | 5.31 | 5.31 | 6.69 | 6.69 |
| d6 | 78 | 78 | 105 | 105 | 131 | 131 |
| | 3.07 | 3.07 | 4.13 | 4.13 | 5.16 | 5.16 |
| h1 | 33 | 33 | 41 | 41 | 47 | 47 |
| | 1.30 | 1.30 | 1.61 | 1.61 | 1.85 | 1.85 |
| h2 | 66 | 66 | 86 | 86 | 98 | 98 |
| | 2.60 | 2.60 | 3.39 | 3.39 | 3.86 | 3.86 |
| h3 | 91,5 | 159,5 | 119 | 180 | 172,5 | 252,5 |
| | 3.60 | 6.28 | 4.69 | 7.09 | 6.79 | 9.94 |
| h4 | 157,5 | 225,5 | 206 | 267 | 273,5 | 353,5 |
| | 6.20 | 8.88 | 8.11 | 10.51 | 10.77 | 13.91 |
| h5 | 23,5 | 23,5 | 24 | 24 | 27 | 27 |
| | .93 | .93 | .95 | .95 | 1.06 | 1.06 |
| h6 | 140 | 210 | 180 | 240 | 235 | 315 |
| | 5.51 | 8.27 | 7.09 | 9.45 | 9.25 | 12.40 |
| I1 | 48 | 48 | 66 | 66 | 85 | 85 |
| | 1.89 | 1.89 | 2.60 | 2.60 | 3.35 | 3.35 |
| G2 | G1 or 1 NPT | G1 or 1 NPT | G1-1/4 or 1-1/4 NPT | G1-1/4 or 1-1/4 NPT | G1-1/2 or 1-1/2 NPT | G1-1/2 or 1-1/2 NPT |
| G3 | - | - | - | - | M12x15 | M12x15 |
| G4 | M6 or 1/4-20 UNC | M6 or 1/4-20 UNC | M8 or 5/16-18 UNC | M8 or 5/16-18 UNC | M10 or 3/8-16 UNC | M10 or 3/8-16 UNC |
| Hex | 36 | 36 | 50 | 50 | 55 | 55 |
| | 1.42 | 1.42 | 1.97 | 1.97 | 2.16 | 2.16 |



Return-Line Filter Housings / Complete Filters - Type RF



① Type

Return-Line Filter **RF**

② Group

| Flow | Size |
|------------------------|------------|
| 60 l/min / 14 US GPM | 014 |
| 110 l/min / 30 US GPM | 030 |
| 160 l/min / 45 US GPM | 045 |
| 240 l/min / 70 US GPM | 070 |
| 330 l/min / 90 US GPM | 090 |
| 500 l/min / 130 US GPM | 130 |

Note: Exact flow will depend on the selected filter element. For technical data please see pages 75 / 76.

③ Filter Material

| Material | max. Δp*collapse | Micron ratings available | Code |
|------------------------|------------------|--------------------------|----------|
| Without filter element | - | - | O |
| Inorg. glass fibre | 25 bar / 363 PSI | 3, 5, 10, 20 | G |
| Stainless fibre | 30 bar / 435 PSI | | A |
| Filter paper | 10 bar / 145 PSI | 10, 20 | N |
| Stainless mesh | 30 bar / 435 PSI | 25, 50, 100, 200 | S |

Note: *Collapse/burst resistance as per ISO 2941. Other materials on request.

④ Micron Rating

| | |
|--------|------------|
| 3 µm | 03 |
| 5 µm | 05 |
| 10 µm | 10 |
| 20 µm | 20 |
| 25 µm | 25 |
| 50 µm | 50 |
| 100 µm | 100 |
| 200 µm | 200 |

Note: Other micron ratings on request.

⑤ Sealing Materials

| | |
|--------------|----------|
| NBR (Buna®) | B |
| FKM (Viton®) | V |
| EPDM | E |

Note: Other sealing materials on request

⑥ Connection Style

| Connection Style | Thread Style | Group 014 | Code | Group 030 | Code | Group 045 | Code | Group 070 | Code | Group 090 | Code | Group 130 | Code |
|---------------------|--------------|-----------|------------|-----------|------------|-----------|------------|-----------|------------|-----------|--------------|-----------|--------------|
| BSP | - | 3/4 | G12 | 1 | G16 | 1-1/4 | G20 | 1-1/2 | G24 | 2 | G32 | 2 | G32 |
| BSP | - | 1/2 | G08 | 1/2 | G08 | 1-1/2 | G24 | 1-1/4 | G20 | 1-1/4 | G20 | 1-1/4 | G20 |
| BSP | - | 1 | G16 | 3/4 | G12 | - | - | - | - | 1-1/2 | G24 | 1-1/2 | G24 |
| NPT | - | 3/4 | N12 | 1 | N16 | 1-1/4 | N20 | 1-1/2 | N24 | 2 | N32 | 2 | N32 |
| NPT | - | 1 | N16 | 3/4 | N12 | 1-1/2 | N24 | 1-1/4 | N20 | 1-1/2 | N24 | 1-1/2 | N24 |
| SAE O-ring Thread | - | 1-1/16 | U12 | 1-5/16 | U16 | 1-5/8 | U20 | 1-7/8 | U24 | 1-7/8 | U24 | 1-7/8 | U24 |
| SAE O-ring Thread | - | 1-5/16 | U16 | 1-1/16 | U12 | 1-7/8 | U24 | 1-5/8 | U20 | 1-5/8 | U20 | 1-5/8 | U20 |
| SAE Flange 3000 PSI | metric | - | - | - | - | - | - | - | - | 2 | C332M | 2 | C332M |
| SAE Flange 3000 PSI | UNC | - | - | - | - | - | - | - | - | 2 | C332U | 2 | C332U |

Note: Bold types identify preferred connection styles.

⑦ Clogging Indicator

| | |
|---|--------------|
| Without Clogging Indicator | O |
| Visual Clogging Indicator | V |
| Electrical Clogging Switch 42 V, NO | G42NO |
| Electrical Clogging Switch 42 V, NC | G42NC |
| Electrical Clogging Switch 110 V ... 230 V, two-way contact (only for Code W) | G230 |

⑧ Option Clogging Indicator G42NO, G42NC and G230

| | |
|--|------------|
| Plug connector | O |
| M12 x 1,5 | M12 |
| AMP plug | A |
| Deutsch plug | D |
| Rubber boot | S |
| 90 degree Polyamide cap (only for Code G230) | W |

⑨ Outlet Style

| Size | Connection thread | Code |
|-----------|----------------------------------|------------------|
| all | Without thread (Standard outlet) | O |
| 014 / 030 | 1" BSP / 1" NPT | G16 / N16 |
| 045 / 070 | 1 1/4 BSP / 1 1/4 NPT | G20 / N20 |
| 90 / 130 | 1 1/2 BSP / 1 1/2 NPT | G24 / N24 |

⑩ Additional Features

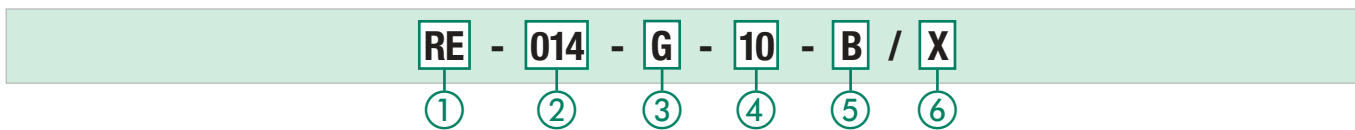
| | Position* | |
|--------------------------------|-----------|-------------|
| Without leakage oil connection | - | none |
| Leakage oil connection | 1 2 | L |

Note: *Position of the leakage oil connection see page 70. Without any code: assembly in the middle of the filter cover.

⑪ Design Code

| | |
|----------------------|----------|
| Only for information | X |
|----------------------|----------|

Filter Elements - Type RE



① Type

Filter Element Series **RE**

② Group

According to filter housing

③ Filter Material

| Material | Max. Δp*collapse | Micron ratings available | Code |
|--------------------|------------------|--------------------------|----------|
| Inorg. glass fibre | 25 bar / 363 PSI | 3, 5, 10, 20 | G |
| Stainless fibre | 30 bar / 435 PSI | | A |
| Filter paper | 10 bar / 145 PSI | 10, 20 | N |
| Stainless mesh | 30 bar / 435 PSI | 25, 50, 100, 200 | S |

Note: *Collapse/burst resistance as per ISO 2941. Other materials on request.

④ Micron Rating

| | |
|--------|------------|
| 3 µm | 03 |
| 5 µm | 05 |
| 10 µm | 10 |
| 20 µm | 20 |
| 25 µm | 25 |
| 50 µm | 50 |
| 100 µm | 100 |
| 200 µm | 200 |

Note: Other micron ratings on request.

⑤ Sealing Materials

| | |
|--------------|----------|
| NBR (Buna®) | B |
| FKM (Viton®) | V |
| EPDM | E |

Note: Other sealing materials on request.

⑥ Design Code

| | |
|----------------------|----------|
| Only for information | X |
|----------------------|----------|



Return-Line Filters ■ Type RF

Electrical Clogging Switch

The switch is used where an electrical signal is needed to indicate when the element needs to be changed. The switch can turn on a light, or shut the machine down, or any further function controlled by an electric signal. The switching pressure is 2,5 bar / 36.25 PSI and this allows the element to be changed before the bypass setting of 3 bar / 43.5 PSI is reached.

Standard type with plug connector and rubber cap. Available with DEUTSCH DT04-2P plug (industrial standard), AMP Junior Timer plug (industrial standard) and five-pin circular connector M12, A-coded, according to IEC 61076-2-101.

Technical Data

| | Limit-Switch G42NO+NC | Limit-Switch G230 |
|-------------------------|-----------------------|--|
| Switching Capacity | 100 VA | 1000 VA |
| Voltage | 10...42 VAC | 10...250 VAC |
| Current | | 10mA...4A |
| Switching Accuracy | | ± 0,5 bar at room temp. and new state |
| Switching Frequency | | 200/min |
| max. Pressure Ramp Rate | | ≤ 1 bar/ms |
| Degree of Protection | | IP65 (plug type S and W), IP67 (plug type M12, A, D) |
| Temperature Range | -30°C ... +100°C | -40°C ... +100°C |

Order Code

Limit-Switch - **G42NO** - **S** - **M10** - **B2.5**

①

②

③

④

⑤

① Type

Limit-Switch

② Connector Type

| | |
|--|--------------|
| Electrical Clogging Switch 42 V, NO | G42NO |
| Electrical Clogging Switch 42 V, NC | G42NC |
| Electrical Clogging Switch 110 V ... 230 V, two-way contact (only for Plug Type W) | G230 |

③ Plug Type

| | |
|--|------------|
| M12 Five-Pin Connector according to IEC 61076-2-101 | M12 |
| AMP-Junior-Timer Plug | A |
| DEUTSCH Plug DT04-2P | D |
| Rubber boot | S |
| 90 degree Polyamide cap (only for Connector Type G230) | W |

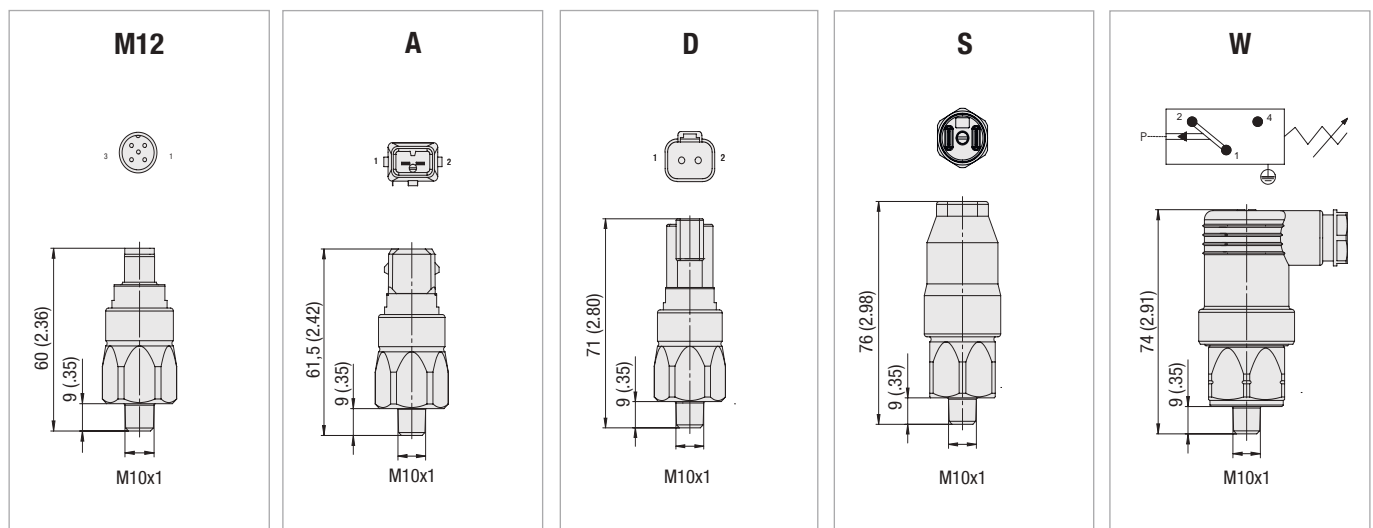
④ Thread Type

 M10 x 1 **M10**

⑤ Pressure Setting

 2,5 bar / 36.3 PSI **B2.5**

Dimensions Plug Type



Note: The customer / user carries the responsibility for the electrical connection.



Return-Line Filters - Type RF

Visual Clogging Indicator

The gauge visually displays the degree of contamination of the element.
The colored segments allow quick visual checking.

| | | |
|--------|--------------------------------------|---|
| green | 0 ... 2,5 bar / 0 ... 36.25 PSI | Element has service life left |
| yellow | 2,5 ... 3,0 bar / 36.25 ... 43.5 PSI | Element is contaminated and should be changed |
| red | >3,0 bar / >43.5 PSI | Bypass valve open, unfiltered oil passing to tank |

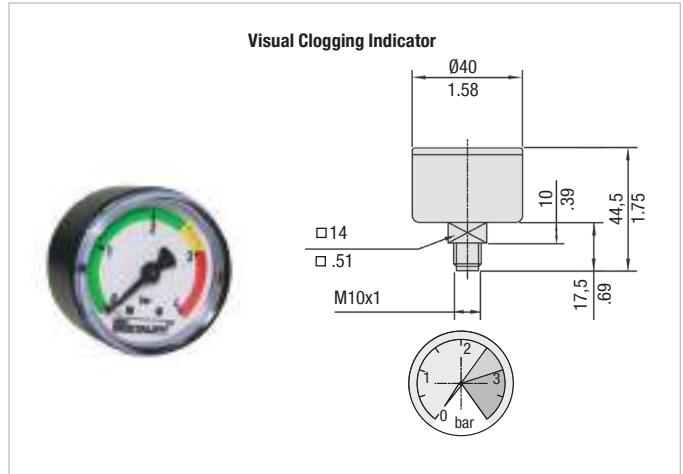
Order Codes

SPG-C-040-00004-02-P-M10-402922



① Type

Visual Clogging Indicator **SPG-C-040-00004-02-P-M10-402922**



Filter Bowl with Threaded Connection

Under some circumstances such as a tall reservoir or one with oil levels which vary greatly during operation, it is necessary to extend the filter bowl so that the returning oil returns beneath the surface and does not entrain air in the process. The optional bowl with a female thread allows an extension to be fitted quite simply.

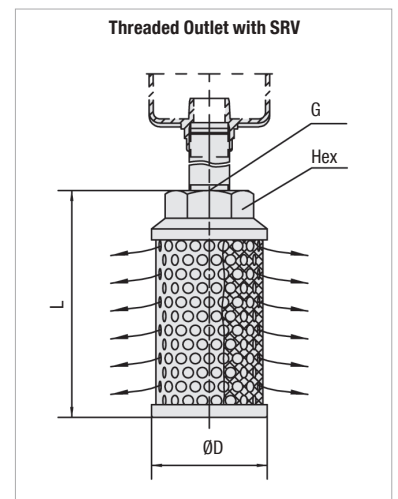
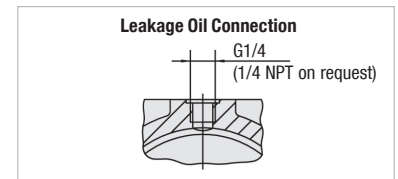
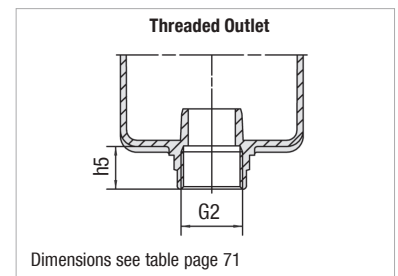
Leakage Oil Connection

Seal or case drain lines can be connected to the filter through either of the clogging indicator ports providing that the leakage oil can accept a pressure of 3 bar / 43.5 PSI. It ensures that no unfiltered oil can return to the reservoir.

Filter Bowl with Threaded Connection and Diffuser

Diffusers mounted to the filter bowl minimise foaming and reduce noise of high Return-Line flows. For further details on STAUFF Diffusers please refer to the Catalogue No. 10 - Hydraulic Accessories.
Attention: Connection pipe not included in scope of delivery!

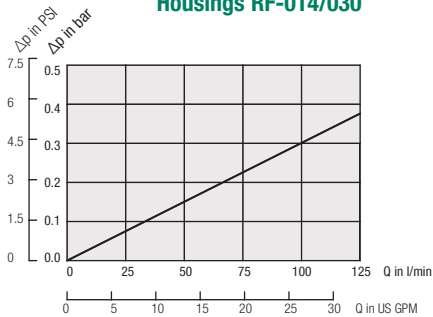
| Size SRV | for Return-Line Filter Size | Dimensions (mm/in) | | Thread G | Hex |
|-------------|-----------------------------|--------------------|------|-----------|------|
| | | øD | L | | |
| SRV-114-G16 | RF-014/030 | 60 | 139 | G1 | 46 |
| SRV-114-N16 | | 2.36 | 5.47 | 1 NPT | 1.81 |
| SRV-200-G20 | RF-045/070 | 82 | 139 | G1-1/4 | 60 |
| SRV-200-N20 | | 3.23 | 5.47 | 1-1/4 NPT | 2.36 |
| SRV-227-G24 | RF-090/130 | 82 | 200 | G1-1/2 | 60 |
| SRV-227-N24 | | 3.23 | 7.87 | 1-1/2 NPT | 2.36 |



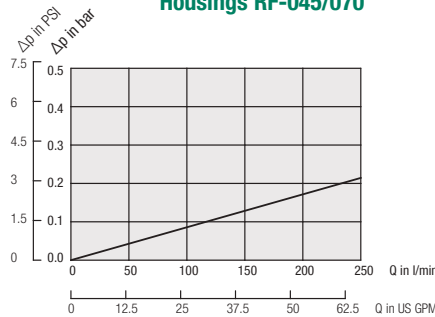
Return-Line Filters ▪ Type RF Flow Characteristics

The following characteristics are valid for mineral oils with a density of 0,85 kg/dm³ and the kinematic viscosity of 30 mm²/s (30cSt). The characteristics have been determined in accordance to ISO 3968. Multipass filter ratings have been obtained in accordance to ISO 16889. The housing pressure drop is directly proportional to the oil density. Contact STAUFF for details.

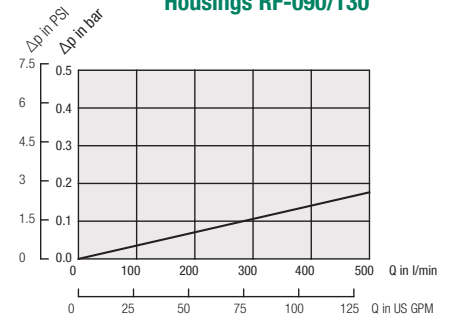
Housings RF-014/030



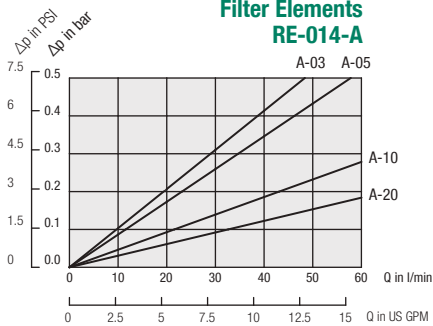
Housings RF-045/070



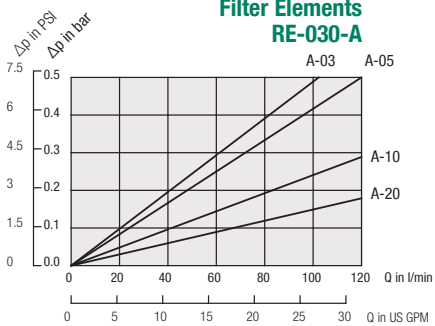
Housings RF-090/130



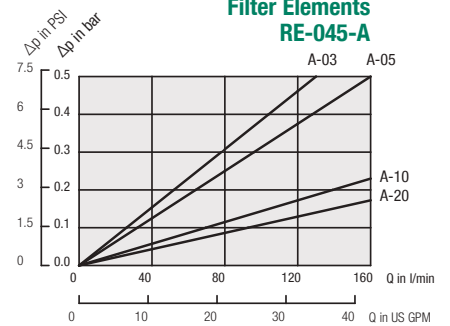
Filter Elements RE-014-A



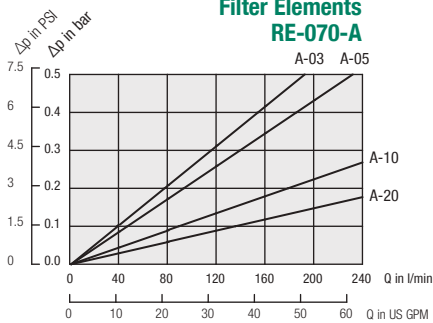
Filter Elements RE-030-A



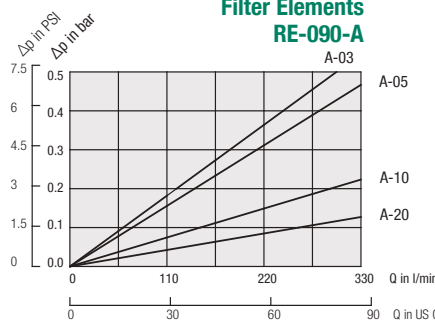
Filter Elements RE-045-A



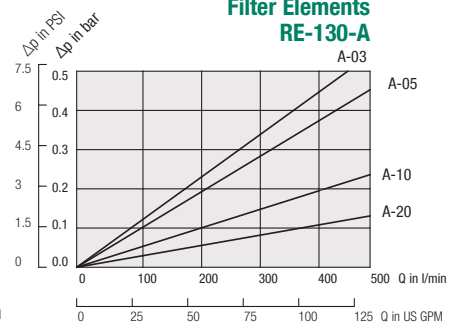
Filter Elements RE-070-A



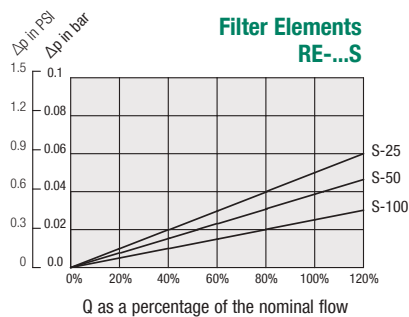
Filter Elements RE-090-A



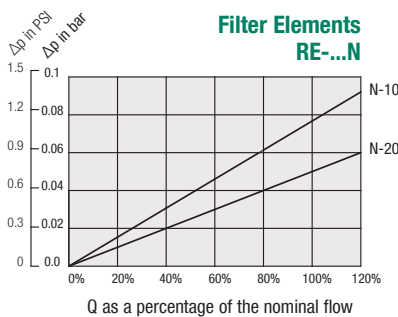
Filter Elements RE-130-A



Filter Elements RE-...S



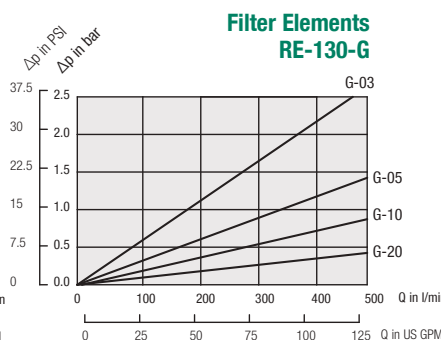
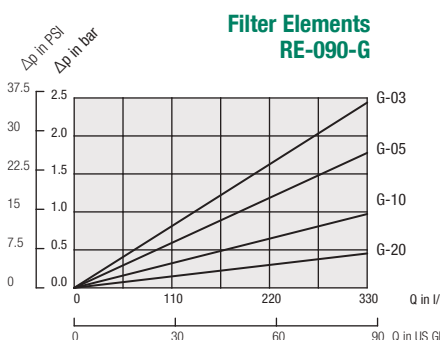
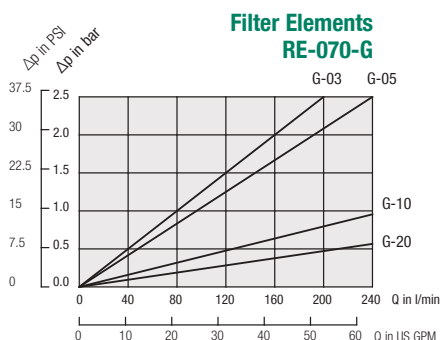
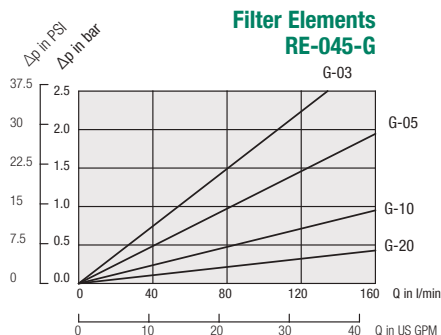
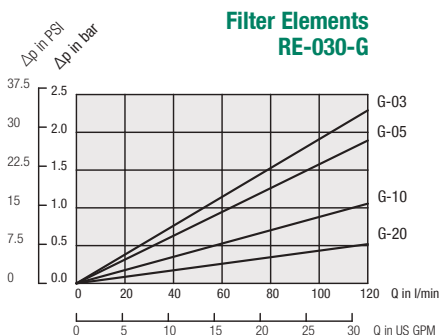
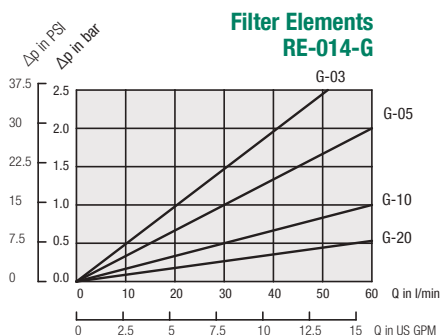
Filter Elements RE-...N



Return-Line Filters - Type RF Flow Characteristics

The following characteristics are valid for mineral oils with a density of 0,85 kg/dm³ and the kinematic viscosity of 30 mm²/s (30cSt). The characteristics have been determined in accordance to ISO 3968. Multipass filter ratings have been obtained in accordance to ISO 16889. The housing pressure drop is directly proportional to the oil density. Contact STAUFF for details.

D



Return-Line Filters ■ Type RFA



D

Product Description

STAUFF RFA Return-Line Filters are a one piece design and can be used as a tank top or an in-line filter. They are mounted in the Return-Line and if 100% of the system oil is filtered, provide the optimum removal of contaminant for the systems. This provides the pump with clean oil, thus reducing contaminant generated wear. A high efficiency of contaminant removal is assured by using STAUFF RE Replacement Filter Elements. The high dirt-hold capacity of STAUFF Elements ensures a long service life and as a result reduced maintenance costs. Furthermore, this housing also offers the possibility of pipeline mounting.

Technical Data
Construction

- Tank Top or in-line mounting

Materials

- Filter housing: Aluminium
- Sealings: NBR (Buna-N®)
FKM (Viton®)
EPDM (Ethylene Propylene Diene Monomer Rubber)
Other sealing materials on request

Port Connections

- SAE O-ring thread
- BSP

Operating Pressure

- Max. 25 bar / 365 PSI

Temperature Range

- -10 °C ... +100 °C / +14 °F ... +212 °F

Filter Elements

- Specifications see page 80

Media Compatibility

- Mineral oils, other fluids on request

Options and Accessories
Valve

- Bypass valve (integrated in the filter element) Opening pressure 3 bar ± 0,3 bar / 43.5 PSI ± 4.35 PSI
Other settings available on request

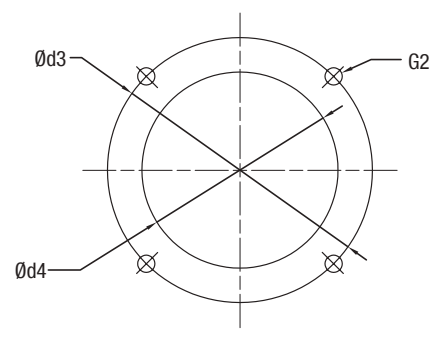
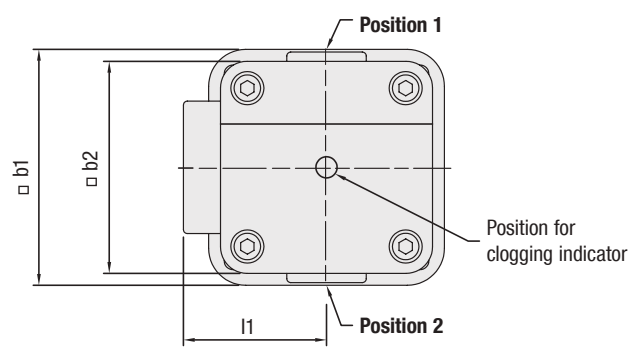
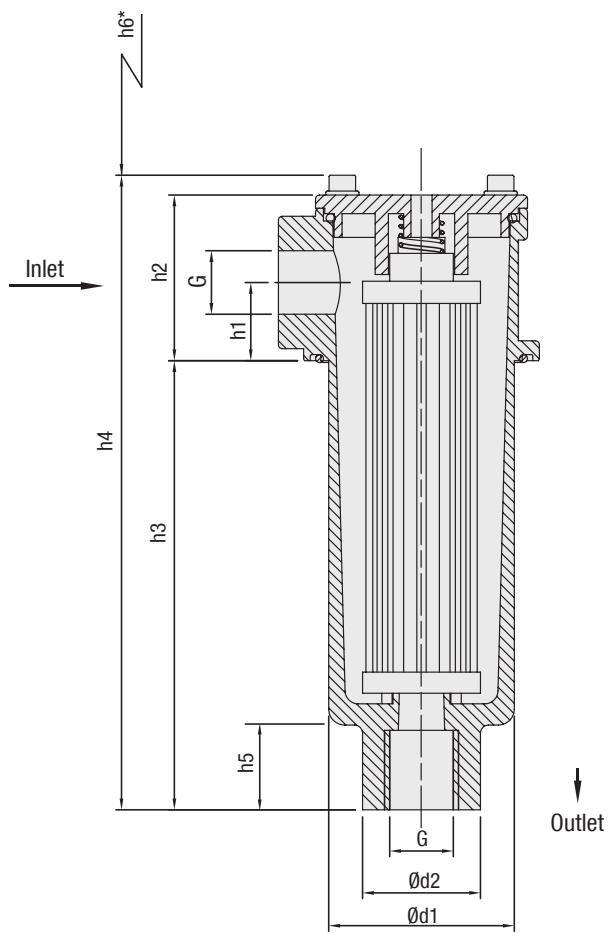
Clogging Indicators

- For clogging indicator types please see page 81



Return-Line Filters ▪ Type RFA

D



Mounting Detail

* recommended space for element change



Return-Line Filters ▪ Type RFA

| Thread Connection G | Filter Size RFA-030 |
|-----------------------|---------------------|
| SAE O-ring Thread U12 | 1-1/16-12 |
| SAE O-ring Thread U08 | 3/4-16 |
| BSP G08 | 1/2 |
| BSP G12 | 3/4 |

| Dimensions (mm/in) | Filter Size RFA-030 |
|--------------------|---------------------|
| h1 | 29,5 |
| | 1.16 |
| h2 | 62,5 |
| | 2.46 |
| h3 | 163,5 |
| | 6.44 |
| h4 | 233,5 |
| | 9.19 |
| h5 | 28 |
| | 1.10 |
| h6 | 210 |
| | 8.27 |
| b1 | 89 |
| | 3.50 |
| b2 | 80 |
| | 3.15 |
| d1 | 70 |
| | 2.76 |
| d2 | 44,5 |
| | 1.75 |
| d3 | 100 |
| | 3.94 |
| d4 | 74 |
| | 2.91 |
| l1 | 54 |
| | 2.16 |
| G2 | M6 or 1/4 UNC |

D



Return-Line Filter Housings / Complete Filters ■ Type RFA

RFA - **030** - **G** - **10** - **B** - **G08** - **G42NO** - **D** - **O** - **L1** / **X**

① ② ③ ④ ⑤ ⑥ ⑦ ⑧ ⑨ ⑩ ⑪

① Type

Return-Line Filter **RFA**

② Group

Flow **Size**
110 l/min / 30 US GPM **030**
Note: Exact flow will depend on the selected filter element.
For technical data please see page 83.

③ Filter Material

| Material | Max. Δp*collapse | Micron ratings available | Code |
|------------------------|------------------|--------------------------|-------------|
| Without filter element | - | - | O |
| Inorg. glass fibre | 25 bar / 363 PSI | 3, 5, 10, 20 | G |
| Stainless fibre | 30 bar / 435 PSI | | A |
| Filter paper | 10 bar / 145 PSI | 10, 20 | N |
| Stainless mesh | 30 bar / 435 PSI | 25, 50, 100, 200 | B, S |

Note: *Collapse/burst resistance as per ISO 2941. Other materials on request.

④ Micron Rating

| | |
|--------|------------|
| 3 µm | 03 |
| 5 µm | 05 |
| 10 µm | 10 |
| 20 µm | 20 |
| 25 µm | 25 |
| 50 µm | 50 |
| 100 µm | 100 |
| 200 µm | 200 |

Note: Other micron ratings on request.

⑤ Sealing Material

NBR (Buna®) **B**
FKM (Viton®) **V**
EPDM **E**
Note: Other sealing materials on request

⑥ Connection Style

| Connection Style | Thread | Code |
|-------------------|-----------|------------|
| SAE-O-ring Thread | 1-1/16-12 | U12 |
| SAE-O-ring Thread | 3/4-16 | U08 |
| BSP | 1/2 | G08 |
| BSP | 3/4 | G12 |

⑦ Clogging Indicator

Without Clogging Indicator **O**
Visual Clogging Indicator **V**
Electrical Clogging Switch 42 V, NO **G42NO**
Electrical Clogging Switch 42 V, NC **G42NC**
Electrical Clogging Switch 230 V, two-way contact (only for Code W) **G230**

⑧ Option Clogging Indicator G42NO, G42NC and G230

Plug connector **O**
M12 x 1,5 **M12**
AMP plug **A**
Deutsch plug **D**
Rubber boot **S**
90 degree Polyamide cap (only for Code G230) **W**

⑨ Outlet Style

| Connection Style | Thread | Code |
|-------------------|----------------------------------|------------|
| | Without thread (Standard outlet) | O |
| SAE-O-Ring Thread | 1-1/16-12 | U12 |
| SAE-O-Ring Thread | 3/4-16 | U08 |
| BSP | 1/2 | G08 |
| BSP | 3/4 | G12 |

⑩ Additional Features

| | Position* | | |
|--------------------------------|-----------|---|-------------|
| Without leakage oil connection | - | | none |
| Leakage oil connection | 1 | 2 | L1 |

Note: *Position of the leakage oil connection see page 78.

Without any code: assembly in the middle of the filter cover.

⑪ Design Code

Only for information **X**

Filter Elements ■ Type RE

RE - **030** - **G** - **10** - **B** / **X**

① ② ③ ④ ⑤ ⑥

① Type

Filter Element Series **RE**

② Group

According to filter housing

③ Filter Material

| Material | Max. Δp*collapse | Micron ratings available | Code |
|--------------------|------------------|--------------------------|-------------|
| Inorg. glass fibre | 25 bar / 363 PSI | 3, 5, 10, 20 | G |
| Stainless fibre | 30 bar / 435 PSI | | A |
| Filter paper | 10 bar / 145 PSI | 10, 20 | N |
| Stainless mesh | 30 bar / 435 PSI | 25, 50, 100, 200 | B, S |

Note: *Collapse/burst resistance as per ISO 2941. Other materials on request.

④ Micron Rating

| | |
|--------|------------|
| 3 µm | 03 |
| 5 µm | 05 |
| 10 µm | 10 |
| 20 µm | 20 |
| 25 µm | 25 |
| 50 µm | 50 |
| 100 µm | 100 |
| 200 µm | 200 |

Note: Other micron ratings on request.

⑤ Sealing Materials

NBR (Buna®) **B**
FKM (Viton®) **V**
EPDM **E**
Note: Other sealing materials on request.

⑥ Design Code

Only for information **X**

Return-Line Filters ■ Type RFA

Electrical Clogging Switch

The switch is used where an electrical signal is needed to indicate when the element needs to be changed. The switch can turn on a light, or shut the machine down, or any further function controlled by an electric signal. The switching pressure is 2,5 bar / 36.25 PSI and this allows the element to be changed before the bypass setting of 3 bar / 43.5 PSI is reached.

Standard type with plug connector and rubber cap. Available with DEUTSCH DT04-2P plug (industrial standard), AMP Junior Timer plug (industrial standard) and five-pin circular connector M12, A-coded, according to IEC 61076-2-101.

Technical Data

| | Limit-Switch G42NO+NC | Limit-Switch G230 |
|-------------------------|-----------------------|--|
| Switching Capacity | 100 VA | 1000 VA |
| Voltage | 10...42 VAC | 10...250 VAC |
| Current | | 10mA...4A |
| Switching Accuracy | | ± 0,5 bar at room temp. and new state |
| Switching Frequency | | 200/min |
| max. Pressure Ramp Rate | | ≤ 1 bar/ms |
| Degree of Protection | | IP65 (plug type S and W), IP67 (plug type M12, A, D) |
| Temperature Range | -30°C ... +100°C | -40°C ... +100°C |

Order Code

Limit-Switch - **G42NO** - **S** - **M10** - **B2.5**

①

②

③

④

⑤

① Type

Limit-Switch

② Connector Type

| | |
|--|--------------|
| Electrical Clogging Switch 42 V, NO | G42NO |
| Electrical Clogging Switch 42 V, NC | G42NC |
| Electrical Clogging Switch 110 V ... 230 V, two-way contact (only for Plug Type W) | G230 |

③ Plug Type

| | |
|--|------------|
| M12 Five-Pin Connector according to IEC 61076-2-101 | M12 |
| AMP-Junior-Timer Plug | A |
| DEUTSCH Plug DT04-2P | D |
| Rubber boot | S |
| 90 degree Polyamide cap (only for Connector Type G230) | W |

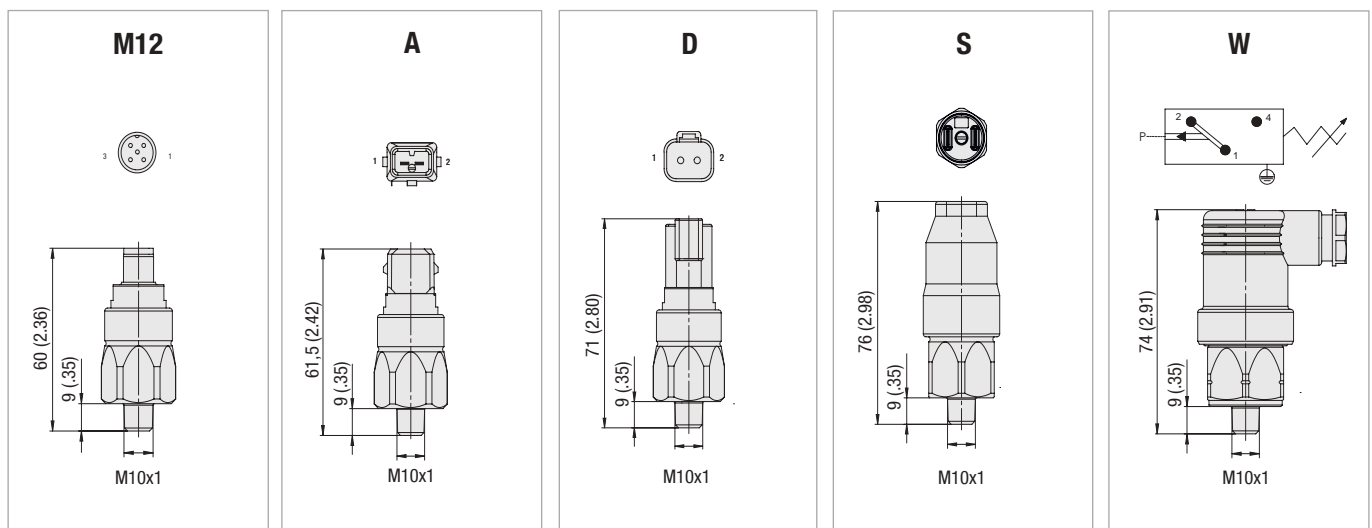
④ Thread Type

 M10 x 1 **M10**

⑤ Pressure Setting

 2,5 bar / 36.3 PSI **B2.5**

Dimensions Plug Type



Note: The customer / user carries the responsibility for the electrical connection.

Dimensional drawings: All dimensions in mm/in.



Return-Line Filters - Type RFA

Visual Clogging Indicator

The gauge visually displays the degree of contamination of the element. The colored segments allow quick visual checking.

| | | |
|--------|--------------------------------------|---|
| green | 0 ... 2,5 bar / 0 ... 36.25 PSI | Element has service life left |
| yellow | 2,5 ... 3,0 bar / 36.25 ... 43.5 PSI | Element is contaminated and should be changed |
| red | >3,0 bar / >43.5 PSI | Bypass valve open, unfiltered oil passing to tank |

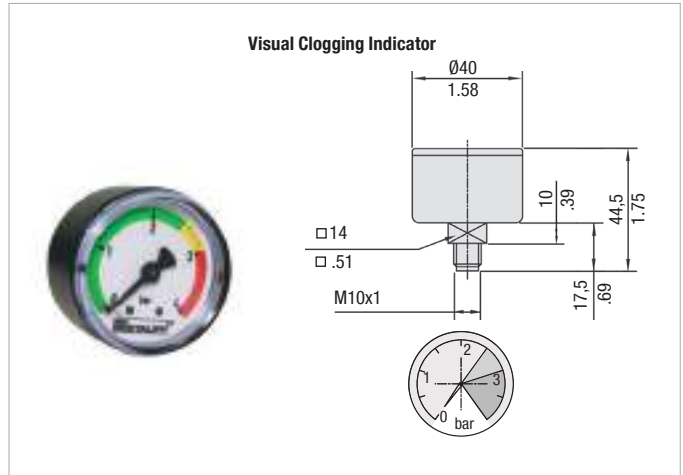
Order Codes

SPG-C-040-00004-02-P-M10-402922



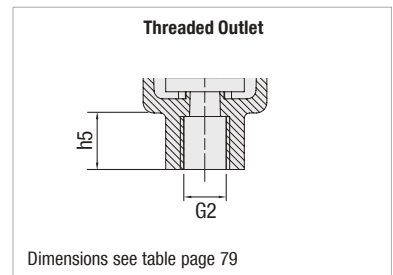
1 Type

Visual Clogging Indicator **SPG-C-040-00004-02-P-M10-402922**



Filter Bowl with Threaded Connection

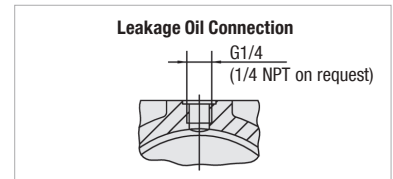
Under some circumstances such as a tall reservoir or one with oil levels which vary greatly during operation, it is necessary to extend the filter bowl so that the returning oil returns beneath the surface and does not entrain air in the process. The optional bowl with a female thread allows an extension to be fitted quite simply. The one piece design also allows for inline applications.



Dimensions see table page 79

Leakage Oil Connection

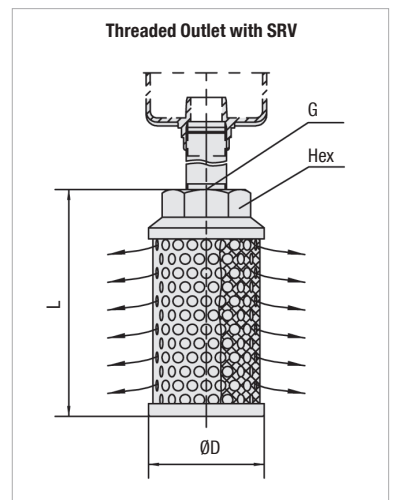
Seal or case drain lines can be connected to the filter through either of the clogging indicator ports providing that the leakage oil can accept a pressure of 3 bar / 43.5 PSI. It ensures that no unfiltered oil can return to the reservoir.



Filter Bowl with Threaded Connection and Diffuser

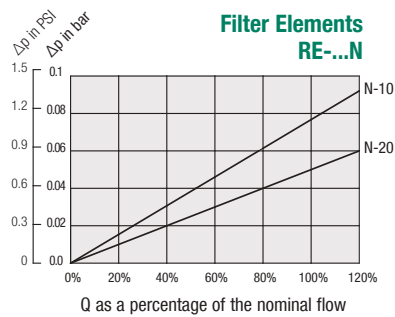
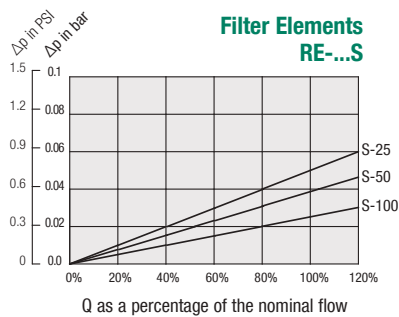
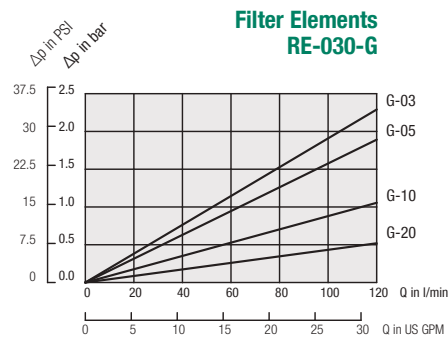
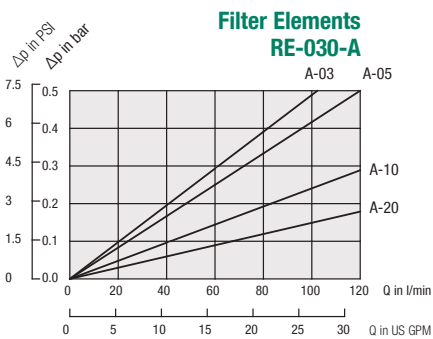
Diffusers mounted to the filter bowl minimise foaming and reduce noise of high Return-Line flows. For further details on STAUFF Diffusers please refer to the Catalogue No. 10 - Hydraulic Accessories. Attention: Connection pipe not included in scope of delivery!

| Size SRV | for Return-Line Filter Size | Dimensions (mm/in) | | Thread G | Hex |
|-------------|-----------------------------|--------------------|------|----------|------|
| | | øD | L | | |
| SRV-050-G12 | RFA-030 | 62 | 109 | G3/4 | 36 |
| SRV-050-N12 | | 2.44 | 4.29 | 3/4 NPT | 1.42 |



Return-Line Filters ■ Type RFA Flow Characteristics

The following characteristics are valid for mineral oils with a density of 0,85 kg/dm³ and the kinematic viscosity of 30 mm²/s (30cSt). The characteristics have been determined in accordance to ISO 3968. Multipass filter ratings have been obtained in accordance to ISO 16889. The housing pressure drop is directly proportional to the oil density. Contact STAUFF for details.



Checklist for the selection of filter housings

Please use the following Checklist as a guideline when preparing an enquiry for the selection of filter housings. Scan or copy the page from the catalogue, print and com-

plete it with as much information as possible, before sending it by email or fax to the closest STAUFF branch office. If possible, please also let us know the quantities required,

and if the enquiry is for a one-time or recurring demand. We look forward to hearing from you, and are always available for consultation, when required.

D

| | | | | | |
|--|--------------------------|--------------------------|--------------------------|--------------------------|--------------------------|
| Information on the fluid in use | | | | | |
| Type of fluid | <input type="text"/> | Brand | <input type="text"/> | ISO designation | |
| Fluid viscosity | <input type="text"/> | <input type="checkbox"/> | mm ² /sec | <input type="checkbox"/> | cSt |
| Fluid temperature | <input type="text"/> | °C | <input type="checkbox"/> | °F | <input type="text"/> |
| | | | <input type="checkbox"/> | In cold condition | <input type="text"/> |
| | | | | | <input type="checkbox"/> |
| | | | | In warm condition | |
| Information on the filter housing | | | | | |
| Position in the hydraulic system | <input type="checkbox"/> | Suction line | <input type="checkbox"/> | Pressure line | <input type="checkbox"/> |
| | | | | Return line | |
| Operating pressure | <input type="text"/> | <input type="checkbox"/> | bar | <input type="checkbox"/> | PSI |
| Nominal flow | <input type="text"/> | <input type="checkbox"/> | l/min | <input type="checkbox"/> | US GPM |
| Valve | <input type="checkbox"/> | No, not required | | | |
| | <input type="checkbox"/> | Yes, the following type: | | | |
| | | <input type="checkbox"/> | Bypass valve | <input type="checkbox"/> | Non-return valve |
| | | | | <input type="checkbox"/> | Reverse flow valve |
| | | | | <input type="checkbox"/> | Multi-function valve |
| Clogging indicator | <input type="checkbox"/> | No, not required | | | |
| | <input type="checkbox"/> | Yes, the following type: | | | |
| | | <input type="checkbox"/> | Visual | <input type="checkbox"/> | Electrical |
| | | | | <input type="checkbox"/> | Visual-electrical |
| Connection type and size | <input type="text"/> | | | | |
| Sealing material | <input type="checkbox"/> | NBR (Buna®) | <input type="checkbox"/> | FKM (Viton®) | <input type="text"/> |
| | | | | | Other |
| Information on the filter element | | | | | |
| Filter media | <input type="checkbox"/> | Inorganic Glass Fibre | <input type="checkbox"/> | Polyester Fibre | <input type="checkbox"/> |
| | | | <input type="checkbox"/> | Cellulose Fibre | <input type="checkbox"/> |
| | | | | <input type="checkbox"/> | Stainless Fibre |
| | | | | <input type="checkbox"/> | Stainless Mesh |
| Micron rating | <input type="text"/> | µm | | | |
| Cleanliness level | <input type="text"/> | (to ISO 4406) | | | |
| Information on the application | <input type="text"/> | | | | |
| Information on the ambient conditions | <input type="text"/> | | | | |
| Additional information and requirements | <input type="text"/> | | | | |



Return-Line Filters ▪ Type RFB



D

Product Description

STAUFF RFB Return-Line Filters are designed as tank top filters. They are mounted directly on the tank top and if 100% of the system oil is filtered they provide the optimum removal of contaminant from the system. This provides the pump with clean oil thus reducing contaminant generated wear. Because of its low weight and compact design, the STAUFF RFB Filters are ideally suited for mobile hydraulic applications. A high efficiency of contaminant removal is assured by using STAUFF RE Replacement Filter Elements. The high dirt-hold capacity of STAUFF Elements ensures a long service life and as a result reduced maintenance costs.

Technical Data
Construction

- Tank Top flange mounting

Materials

- Filter head: Aluminium
- Filter bowl & cap: Glass Fibre Reinforced Polyamide
- Sealings: NBR (Buna-N®)
FKM (Viton®)
EPDM (Ethylene Propylene Diene Monomer Rubber)
Other sealing materials on request

Port Connections

- BSP
- NPT
- SAE O-ring thread

Operating Pressure

- Max. 10 bar / 145 PSI

Temperature Range

- -10 °C ... +100 °C / +14 °F ... +212 °F

Filter Elements

- Specifications see page 88

Media Compatibility

- Mineral oils, other fluids on request

Options and Accessories
Valve

- Bypass valve (integrated in the filter element) Opening pressure 3 bar ± 0,3 bar / 43.5 PSI ± 4.35 PSI
Other settings available on request

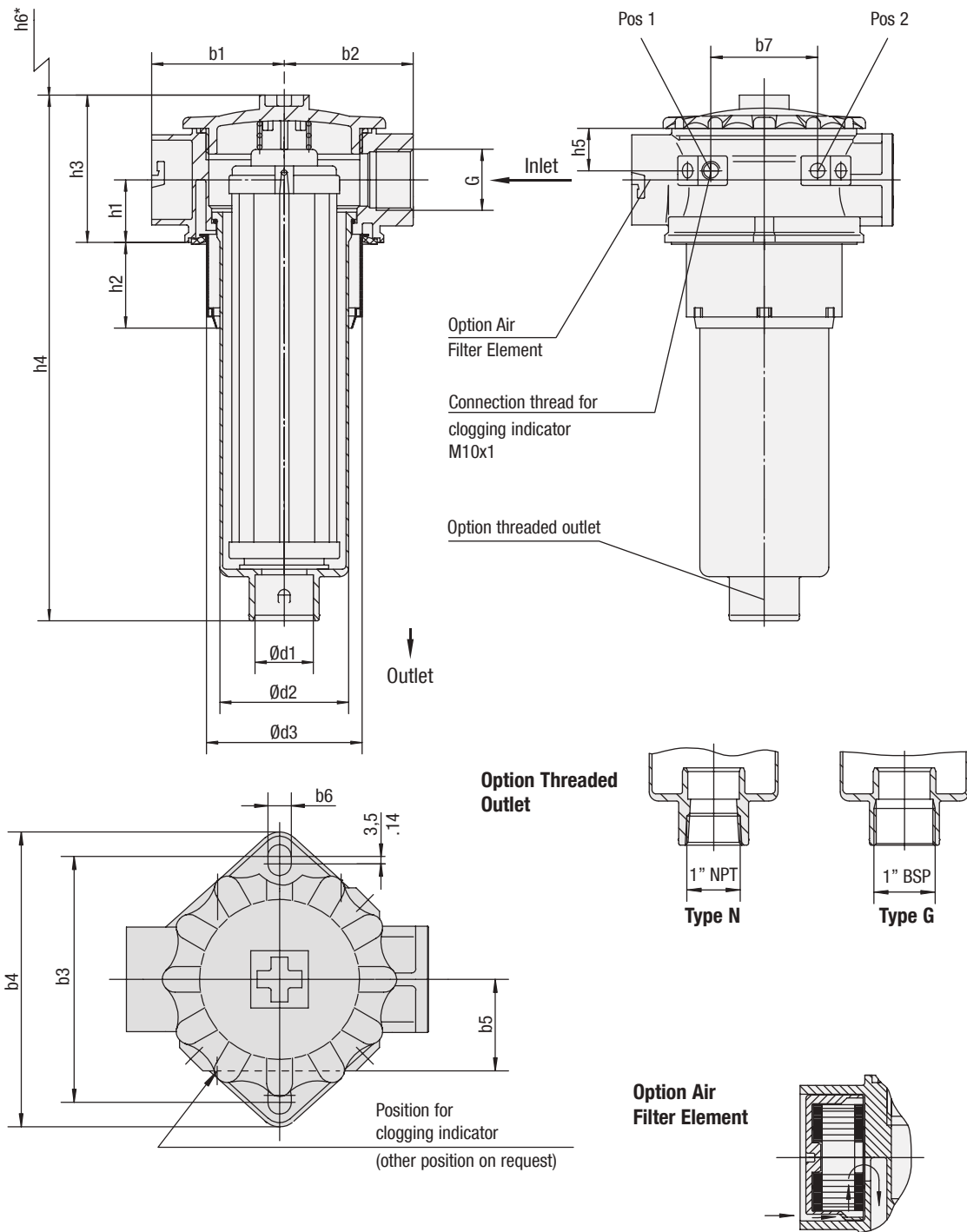
Clogging Indicators

- For clogging indicator types please see page 89



Return-Line Filters ▪ Type RFB

D



* recommended space for element change



Return-Line Filters ▪ Type RFB

| Thread Connection G | Filter Size RFB | | | | | |
|---------------------|-----------------|---|-----|---|-----|---|
| | 022 | | 046 | | 052 | |
| BSP | 3/4 | 1 | 3/4 | 1 | 3/4 | 1 |
| NPT | 3/4 | 1 | 3/4 | 1 | 3/4 | 1 |
| SAE O-ring Thread | 1-5/16-12 | | | | | |

| Dimensions (mm/in) | Filter Size RFB | | |
|--------------------|-----------------|-------|-------|
| | 022 | 046 | 052 |
| h1 | 34 | 34 | 34 |
| | 1.34 | 1.34 | 1.34 |
| h2 | 46,5 | 46,5 | 46,5 |
| | 1.83 | 1.83 | 1.83 |
| h3 | 80 | 80 | 80 |
| | 3.15 | 3.15 | 3.15 |
| h4 | 205,5 | 285,5 | 351,5 |
| | 8.09 | 11.24 | 13.84 |
| h5 | 23 | 23 | 23 |
| | .91 | .91 | .91 |
| h6 | 154 | 239 | 305 |
| | 6.26 | 9.41 | 12.01 |
| d1 | 32 | 32 | 32 |
| | 1.26 | 1.26 | 1.26 |
| d2 | 70 | 70 | 70 |
| | 2.76 | 2.76 | 2.76 |
| d3 | 84,5 | 84,5 | 84,5 |
| | 3.33 | 3.33 | 3.33 |
| b1 | 72 | 72 | 72 |
| | 2.84 | 2.84 | 2.84 |
| b2 | 70 | 70 | 70 |
| | 2.76 | 2.76 | 2.76 |
| b3 | 115,5 | 115,5 | 115,5 |
| | 4.55 | 4.55 | 4.55 |
| b4 | 138,5 | 138,5 | 138,5 |
| | 5.45 | 5.45 | 5.45 |
| b5 | 43 | 43 | 43 |
| | 1.69 | 1.69 | 1.69 |
| b6 | 11 | 11 | 11 |
| | .43 | .43 | .43 |
| b7 | 58 | 58 | 58 |
| | 2.28 | 2.28 | 2.28 |

D



Return-Line Filter Housings / Complete Filters ■ Type RFB

RFB - **022** - **G** - **10** - **B** - **G16** - **G42NO** - **D** - **G** - **L10** / **X**

① ② ③ ④ ⑤ ⑥ ⑦ ⑧ ⑨ ⑩ ⑪

① Type

Return-Line Filter **RFB**

② Group

| Flow | Size |
|-----------------------|------------|
| 75 l/min / 22 US GPM | 022 |
| 165 l/min / 46 US GPM | 046 |
| 185 l/min / 52 US GPM | 052 |

Note: Exact flow will depend on the selected filter element.
For technical data please see page 91.

③ Filter Material

| Material | Max. Δp *collapse | Micron ratings available | Code |
|------------------------|---------------------------|--------------------------|----------|
| Without filter element | - | - | O |
| Inorg. glass fibre | 25 bar / 363 PSI | 3, 5, 10, 20 | G |
| Stainless fibre | 30 bar / 435 PSI | | M |
| Filter paper | 10 bar / 145 PSI | 10, 20 | N |
| Stainless mesh | 30 bar / 435 PSI | 10, 25, 50, 100, 200 | S |

Note: *Collapse/burst resistance as per ISO 2941.
Other materials on request.

④ Micron Rating

| | |
|-------------|------------|
| 3 μ m | 03 |
| 5 μ m | 05 |
| 10 μ m | 10 |
| 20 μ m | 20 |
| 25 μ m | 25 |
| 50 μ m | 50 |
| 100 μ m | 100 |
| 200 μ m | 200 |

Note: Other micron ratings on request.

⑤ Sealing Material

| | |
|--------------|----------|
| NBR (Buna®) | B |
| FKM (Viton®) | V |
| EPDM | E |

Note: Other sealing materials on request.

⑥ Connection Style

| Connection Style | | Code |
|-------------------|-----------|------------|
| BSP | 1 | G16 |
| BSP | 3/4 | G12 |
| NPT | 1 | N16 |
| NPT | 3/4 | N12 |
| SAE-0-ring Thread | 1-5/16-12 | U16 |

Note: Bold types identify preferred connection style.

⑦ Clogging Indicator

| | |
|---|--------------|
| Without Clogging Indicator | O |
| Visual Clogging Indicator | V |
| Electrical Clogging Switch 42 V, NO | G42NO |
| Electrical Clogging Switch 42 V, NC | G42NC |
| Electrical Clogging Switch 110 V ... 230 V, two-way contact (only for Code W) | G230 |

⑧ Option Clogging Indicator G42NO, G42NC and G230

| | |
|--|------------|
| Plug connector | O |
| M12 x 1,5 | M12 |
| AMP plug | A |
| Deutsch plug | D |
| Rubber boot | S |
| 90 degree Polyamide cap (only for Code G230) | W |

⑨ Outlet Style

| | |
|--------------------|------------|
| With 1" BSP thread | G16 |
| With 1" NPT thread | N16 |

⑩ Air Filter Element

| | |
|----------------------------|-------------|
| Without Air Filter Element | none |
| Filter paper 10 micron | L10 |

Note: Other materials and micron ratings on request.

⑪ Design Code

| | |
|----------------------|----------|
| Only for information | X |
|----------------------|----------|

Filter Elements ■ Type RE

RE - **022** - **G** - **10** - **B** / **X**

① ② ③ ④ ⑤ ⑥

① Type

Filter Element Series **RE**

② Group

According to filter housing

③ Filter Material

| Material | Max. Δp *collapse | Micron ratings available | Code |
|--------------------|---------------------------|--------------------------|----------|
| Inorg. glass fibre | 25 bar / 363 PSI | 3, 5, 10, 20 | G |
| Stainless fibre | 30 bar / 435 PSI | | M |
| Filter paper | 10 bar / 145 PSI | 10, 20 | N |
| Stainless mesh | 30 bar / 435 PSI | 25, 50, 100, 200 | S |

Note: *Collapse/burst resistance as per ISO 2941.
Other materials on request.

④ Micron Rating

| | |
|-------------|------------|
| 3 μ m | 03 |
| 5 μ m | 05 |
| 10 μ m | 10 |
| 20 μ m | 20 |
| 25 μ m | 25 |
| 50 μ m | 50 |
| 100 μ m | 100 |
| 200 μ m | 200 |

Note: Other micron ratings on request.

⑤ Sealing Material

| | |
|--------------|----------|
| NBR (Buna®) | B |
| FKM (Viton®) | V |
| EPDM | E |

Note: Other sealing material on request.

⑥ Design Code

| | |
|----------------------|----------|
| Only for information | X |
|----------------------|----------|

Air Filter Element

KIT-RFB-AIR - **L** - **10** / **X**

① ② ③ ④

① Type

Air filter for RFB-022/046/052 **KIT-RFB-AIR**

② Filter Material

Filter Paper **L**
Note: Other materials on request.

③ Micron Rating

| | |
|------------|-----------|
| 10 μ m | 10 |
|------------|-----------|

Note: Other micron ratings on request.

④ Design Code

| | |
|----------------------|----------|
| Only for information | X |
|----------------------|----------|



Return-Line Filters ■ Type RFB

Electrical Clogging Switch

The switch is used where an electrical signal is needed to indicate when the element needs to be changed. The switch can turn on a light, or shut the machine down, or any further function controlled by an electric signal. The switching pressure is 2,5 bar / 36.25 PSI and this allows the element to be changed before the bypass setting of 3 bar / 43.5 PSI is reached.

Standard type with plug connector and rubber cap. Available with DEUTSCH DT04-2P plug (industrial standard), AMP Junior Timer plug (industrial standard) and five-pin circular connector M12, A-coded, according to IEC 61076-2-101.

Technical Data

| | Limit-Switch G42NO+NC | Limit-Switch G230 |
|-------------------------|--|---------------------------------------|
| Switching Capacity | 100 VA | 1000 VA |
| Voltage | 10...42 VAC | 10...250 VAC |
| Current | | 10mA...4A |
| Switching Accuracy | | ± 0,5 bar at room temp. and new state |
| Switching Frequency | | 200/min |
| max. Pressure Ramp Rate | | ≤ 1 bar/ms |
| Degree of Protection | IP65 (plug type S and W), IP67 (plug type M12, A, D) | |
| Temperature Range | -30°C ... +100°C | -40°C ... +100°C |

Order Code

Limit-Switch - **G42NO** - **S** - **M10** - **B2.5**

①

②

③

④

⑤

① Type

Limit-Switch

② Connector Type

| | |
|---|--------------|
| Electrical Clogging Switch 42 V, NO | G42NO |
| Electrical Clogging Switch 42 V, NC | G42NC |
| Electrical Clogging Switch 110 V ... 230 V, two-way contact (only for Plug Type W) | G230 |

③ Plug Type

| | |
|---|------------|
| M12 Five-Pin Connector according to IEC 61076-2-101 | M12 |
| AMP-Junior-Timer Plug | A |
| DEUTSCH Plug DT04-2P | D |
| Rubber boot | S |
| 90 degree Polyamide cap (only for Connector Type G230) | W |

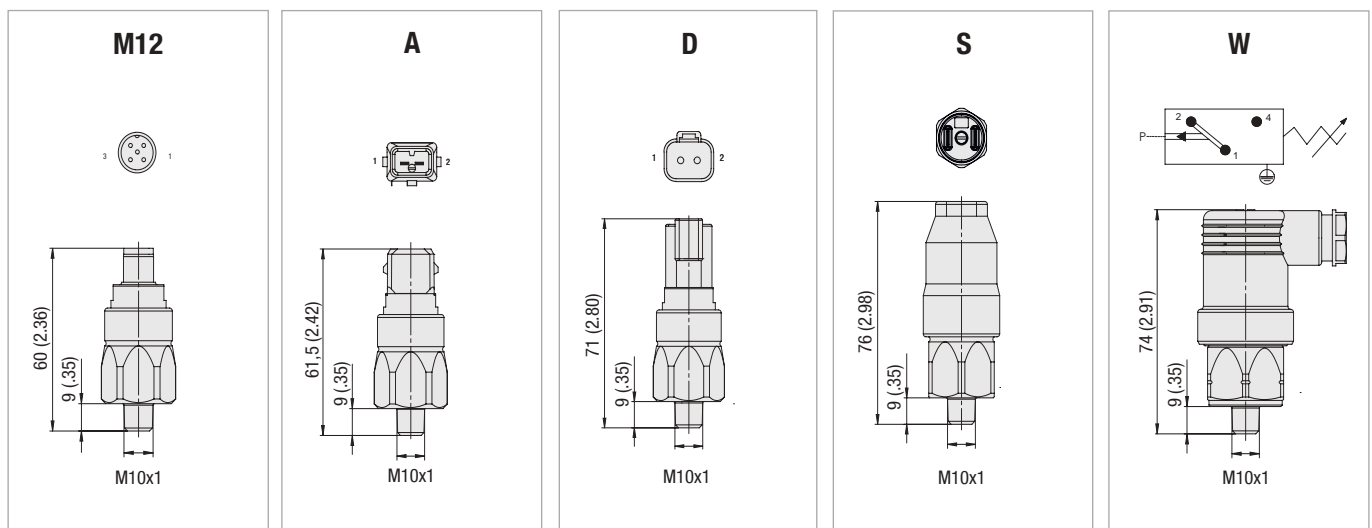
④ Thread Type

 M10 x 1 **M10**

⑤ Pressure Setting

 2,5 bar / 36.3 PSI **B2.5**

Dimensions Plug Type



Note: The customer / user carries the responsibility for the electrical connection.



Return-Line Filters - Type RFB

Visual Clogging Indicator

The gauge visually displays the degree of contamination of the element.
The colored segments allow quick visual checking.

| | | |
|--------|--------------------------------------|---|
| green | 0 ... 2,5 bar / 0 ... 36.25 PSI | Element has service life left |
| yellow | 2,5 ... 3,0 bar / 36.25 ... 43.5 PSI | Element is contaminated and should be changed |
| red | >3,0 bar / >43.5 PSI | Bypass valve open, unfiltered oil passing to tank |

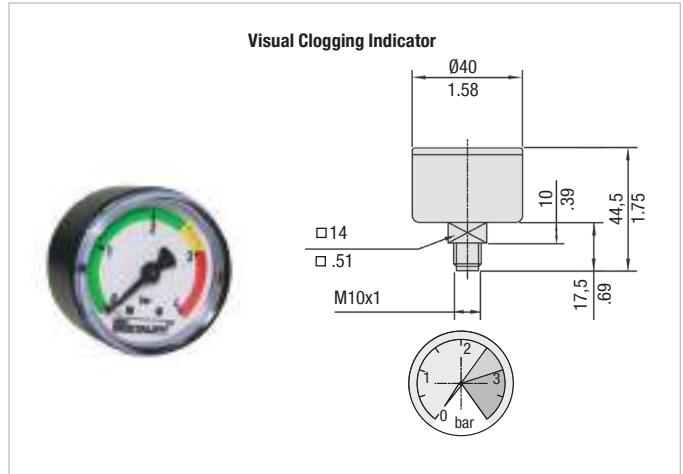
Order Codes

SPG-C-040-00004-02-P-M10-402922



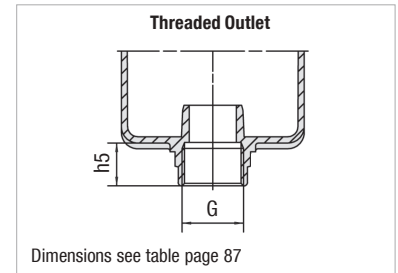
① Type

Visual Clogging Indicator **SPG-C-040-00004-02-P-M10-402922**



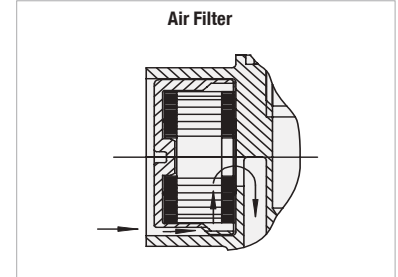
Filter Bowl with Threaded Connection

Under some circumstances such as a tall reservoir or one with oil levels which vary greatly during operation, it is necessary to extend the filter bowl so that the returning oil returns beneath the surface and does not entrain air in the process. The bowl with a female thread allows an extension to be fitted quite simply.



Air Filter Element

Allows an effective filtration of the incoming air which avoids the infiltration of dirt particles into the hydraulic system. The standard air filter element is a 10 micron cellulose; other materials and micron ratings on request.



Order Code

REA-046-L-10-B



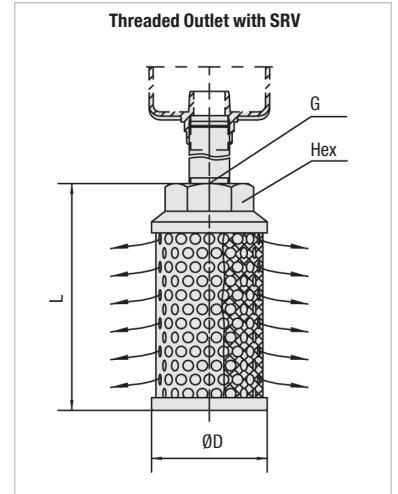
① Type

Air Filter Element **REA-046-L-10-B**

Filter Bowl with Threaded Connection and Diffuser

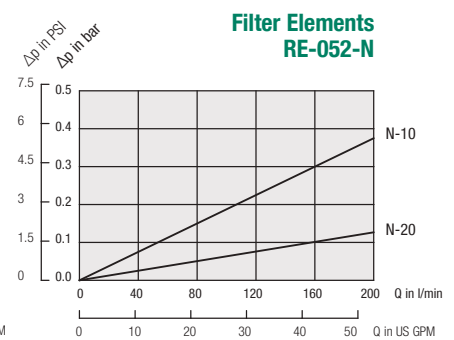
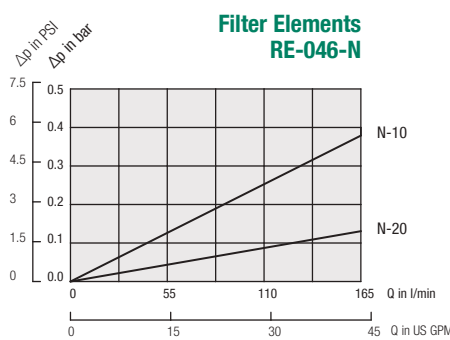
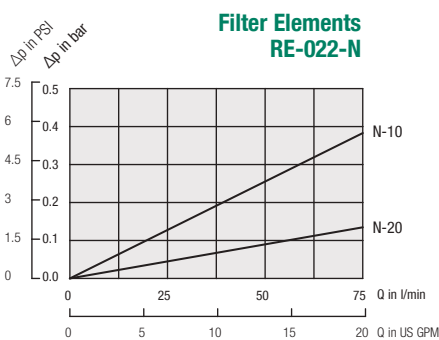
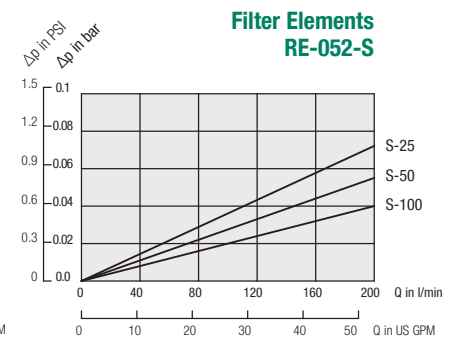
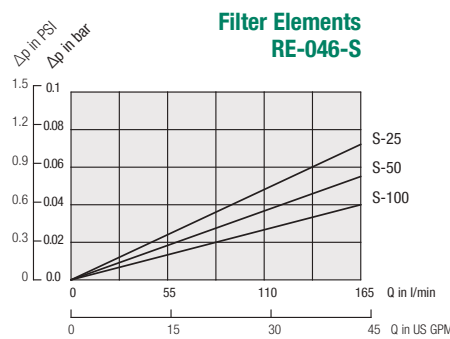
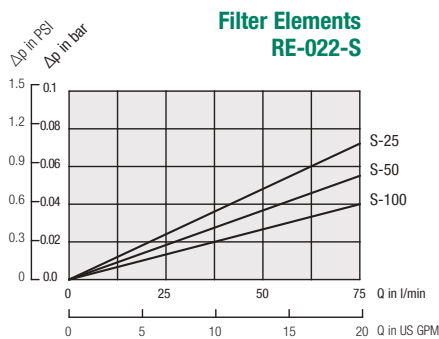
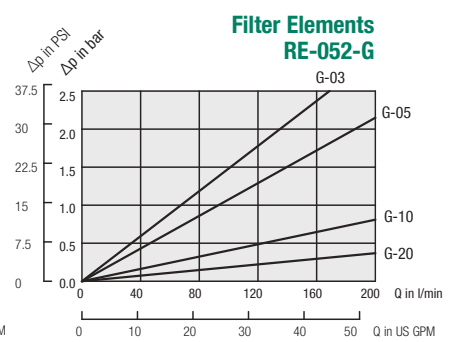
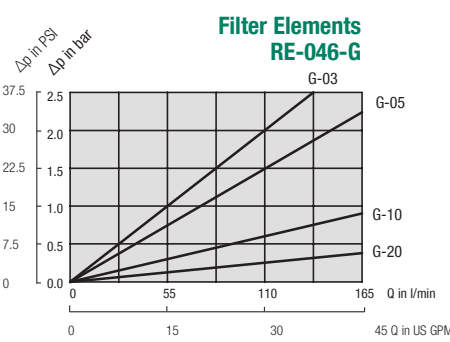
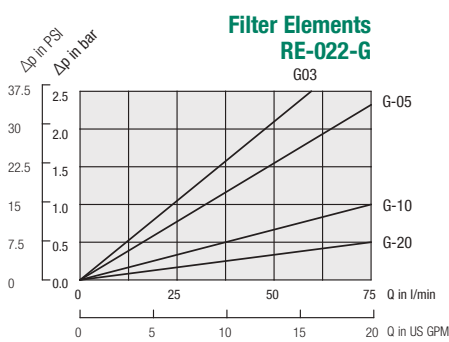
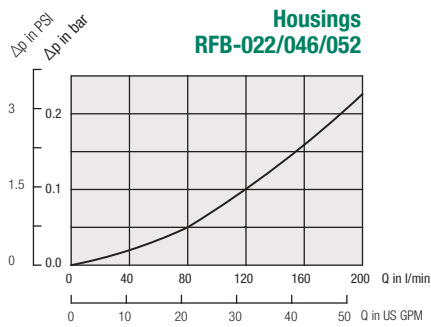
Diffusers mounted to the filter bowl minimise foaming and reduce noise of high Return-Line flows. For further details on STAUFF Diffusers please refer to the Catalogue No. 10 - Hydraulic Accessories. Attention: Connection pipe not included in scope of delivery!

| Size SRV | for Return-Line Filter Size | Dimensions (mm/in) | | Thread G | Hex |
|-------------|-----------------------------|--------------------|------|----------|------|
| | | øD | L | | |
| SRV-114-G16 | RFB-022/046/052 | 60 | 139 | G1 | 46 |
| SRV-114-N16 | | 2.36 | 5.47 | 1 NPT | 1.81 |



Return-Line Filters ■ Type RFB Flow Characteristics

The following characteristics are valid for mineral oils with a density of 0,85 kg/dm³ and the kinematic viscosity of 30 mm²/s (30cSt). The characteristics have been determined in accordance to ISO 3968. Multipass filter ratings have been obtained in accordance to ISO 16889. The housing pressure drop is directly proportional to the oil density. Contact STAUFF for details.



Checklist for the selection of filter housings

Please use the following Checklist as a guideline when preparing an enquiry for the selection of filter housings. Scan or copy the page from the catalogue, print and com-

plete it with as much information as possible, before sending it by email or fax to the closest STAUFF branch office. If possible, please also let us know the quantities required,

and if the enquiry is for a one-time or recurring demand. We look forward to hearing from you, and are always available for consultation, when required.

D

| | | | | | |
|--|--------------------------|--------------------------|--------------------------|--------------------------|--------------------------|
| Information on the fluid in use | | | | | |
| Type of fluid | <input type="text"/> | Brand | <input type="text"/> | ISO designation | |
| Fluid viscosity | <input type="text"/> | <input type="checkbox"/> | mm ² /sec | <input type="checkbox"/> | cSt |
| Fluid temperature | <input type="text"/> | °C | <input type="checkbox"/> | °F | <input type="text"/> |
| | | | <input type="checkbox"/> | In cold condition | <input type="text"/> |
| | | | | | <input type="checkbox"/> |
| | | | | In warm condition | |
| Information on the filter housing | | | | | |
| Position in the hydraulic system | <input type="checkbox"/> | Suction line | <input type="checkbox"/> | Pressure line | <input type="checkbox"/> |
| | | | | Return line | |
| Operating pressure | <input type="text"/> | <input type="checkbox"/> | bar | <input type="checkbox"/> | PSI |
| Nominal flow | <input type="text"/> | <input type="checkbox"/> | l/min | <input type="checkbox"/> | US GPM |
| Valve | <input type="checkbox"/> | No, not required | | | |
| | <input type="checkbox"/> | Yes, the following type: | <input type="checkbox"/> | Bypass valve | <input type="checkbox"/> |
| | | | <input type="checkbox"/> | Non-return valve | <input type="checkbox"/> |
| | | | <input type="checkbox"/> | Reverse flow valve | <input type="checkbox"/> |
| | | | <input type="checkbox"/> | Multi-function valve | |
| Clogging indicator | <input type="checkbox"/> | No, not required | | | |
| | <input type="checkbox"/> | Yes, the following type: | <input type="checkbox"/> | Visual | <input type="checkbox"/> |
| | | | <input type="checkbox"/> | Electrical | <input type="checkbox"/> |
| | | | <input type="checkbox"/> | Visual-electrical | |
| Connection type and size | <input type="text"/> | | | | |
| Sealing material | <input type="checkbox"/> | NBR (Buna®) | <input type="checkbox"/> | FKM (Viton®) | <input type="text"/> |
| | | | | Other | |
| Information on the filter element | | | | | |
| Filter media | <input type="checkbox"/> | Inorganic Glass Fibre | <input type="checkbox"/> | Polyester Fibre | <input type="checkbox"/> |
| | | | <input type="checkbox"/> | Cellulose Fibre | <input type="checkbox"/> |
| | | | | Stainless Fibre | <input type="checkbox"/> |
| | | | | Stainless Mesh | |
| Micron rating | <input type="text"/> | µm | | | |
| Cleanliness level | <input type="text"/> | (to ISO 4406) | | | |
| Information on the application | <input type="text"/> | | | | |
| Information on the ambient conditions | <input type="text"/> | | | | |
| Additional information and requirements | <input type="text"/> | | | | |



Return-Line Filters ■ Type RFS / RFS-D



D

Product Description

STAUFF RFS and RFS-D Carbon Steel Return-Line Filters are designed as tank top or in-line filters. They are mounted directly on the tank top and if 100% of the system oil is filtered, they provide the optimum removal of contaminants from the system. This provides the pump with clean oil thus reducing contaminant generated wear. The filter bowl is designed with a connection, threaded or flanged, for extending the return oil beneath the surface thus preventing the entrainment of air. A high efficiency of contaminant removal is assured by using STAUFF RE Replacement Filter Elements. The high dirt-hold capacity of STAUFF Elements ensures a long service life and as a result reduced maintenance costs.

Technical Data
Construction

- Tank Top mounting or in-line mounting

Materials

- Filter Housing: Carbon Steel
- Sealings: NBR (Buna-N®)
FKM (Viton®)
EPDM (Ethylene Propylene Diene Monomer Rubber)
Other sealing materials on request

Port Connections

- BSP
- SAE flange 3000 PSI

Flow Rating

- Up to 1135 l/min / 300 US GPM

Operating Pressure

- Max. 25 bar / 365 PSI

Proof Pressure

- Min. 37,5 bar / 545 PSI

Temperature Range

- -10°C ... +100°C / +14°F ... +212°F

Filter Elements

- Specifications see page 98

Media Compatibility

- Mineral oils, other fluids on request

Options and Accessories
Valve

- Bypass valve (integrated in the filter element) Opening pressure 3 bar ± 0,3 bar / 43.5 PSI ± 4.35 PSI
Other settings available on request

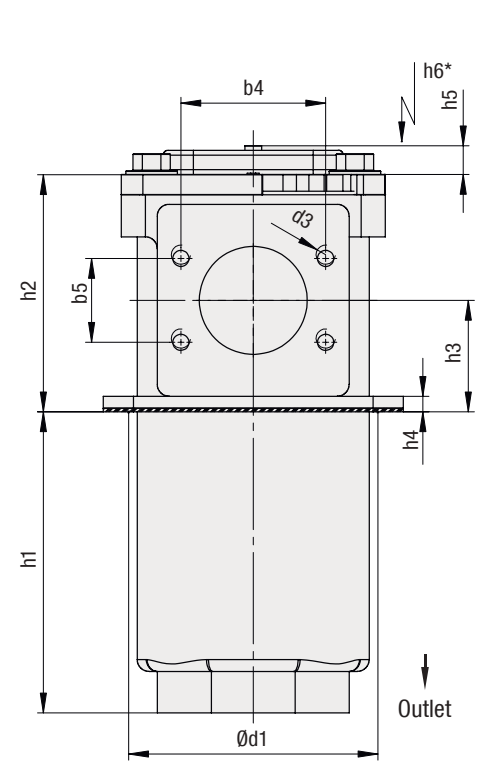
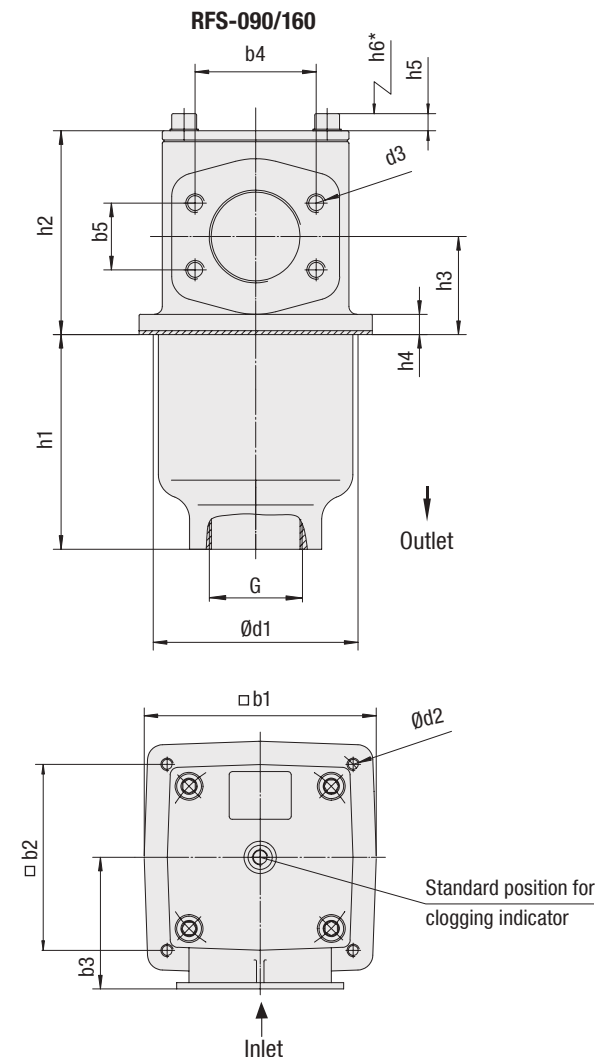
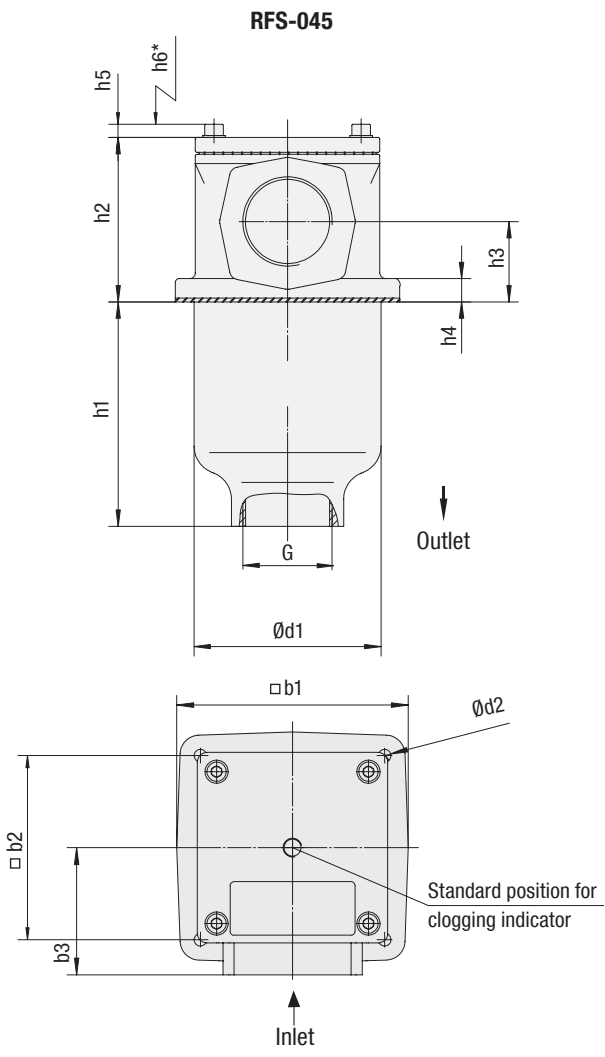
Clogging Indicators

- For clogging indicator types please see page 99

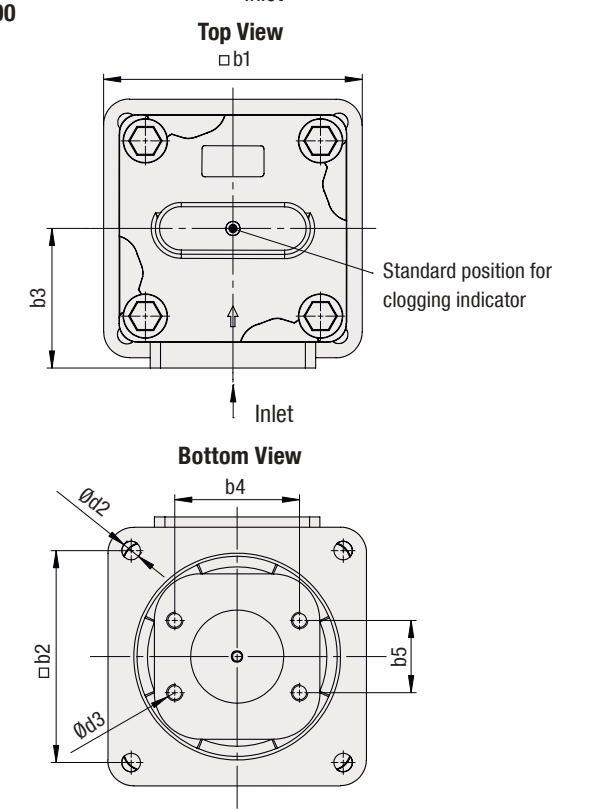


Return-Line Filters - Type RFS

D



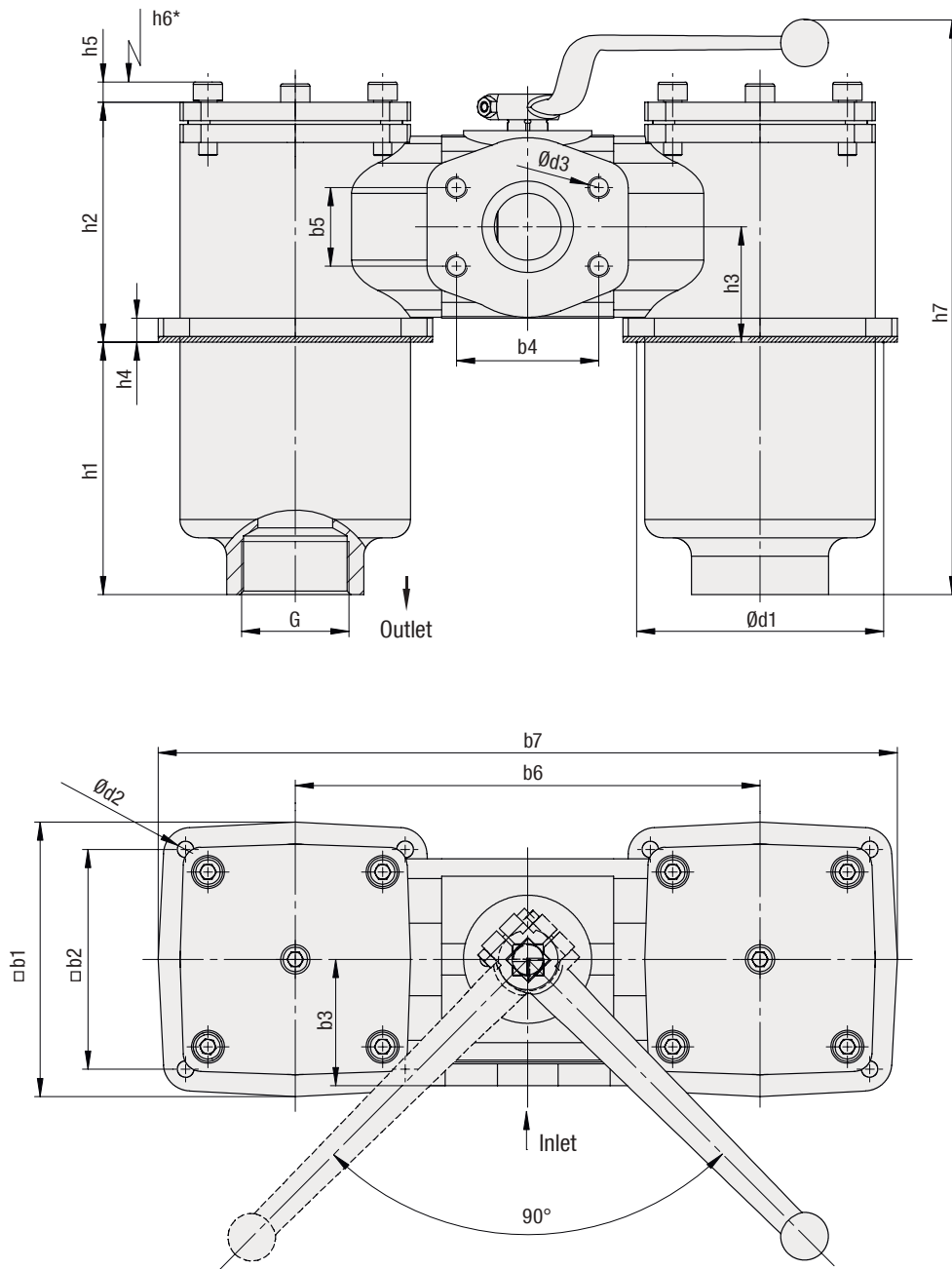
RFS-250/300



* recommended space for element change



RFS-D-090/160



D

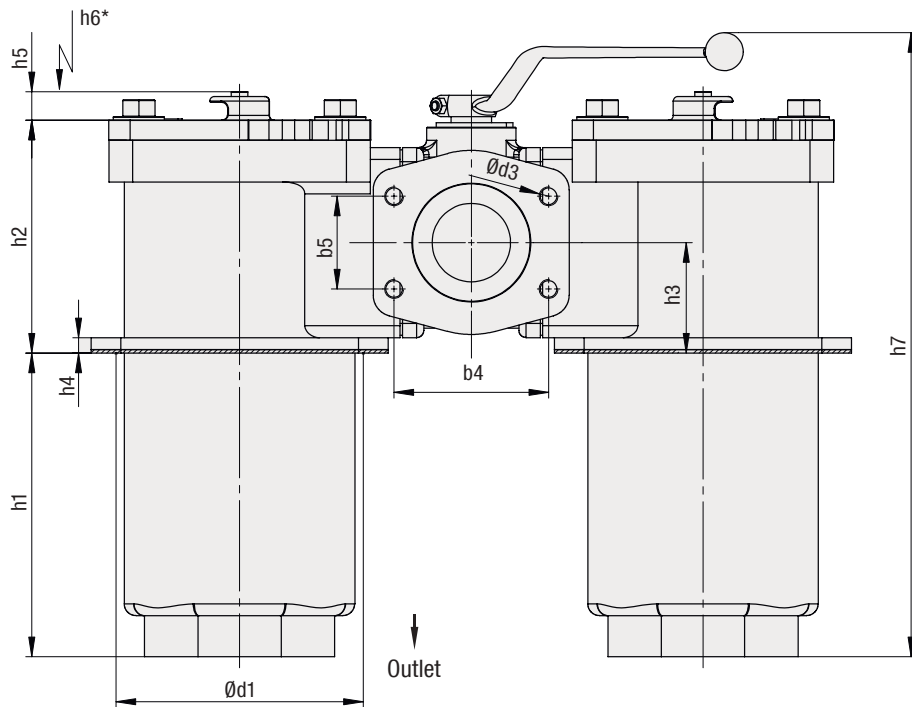
* recommended space for element change



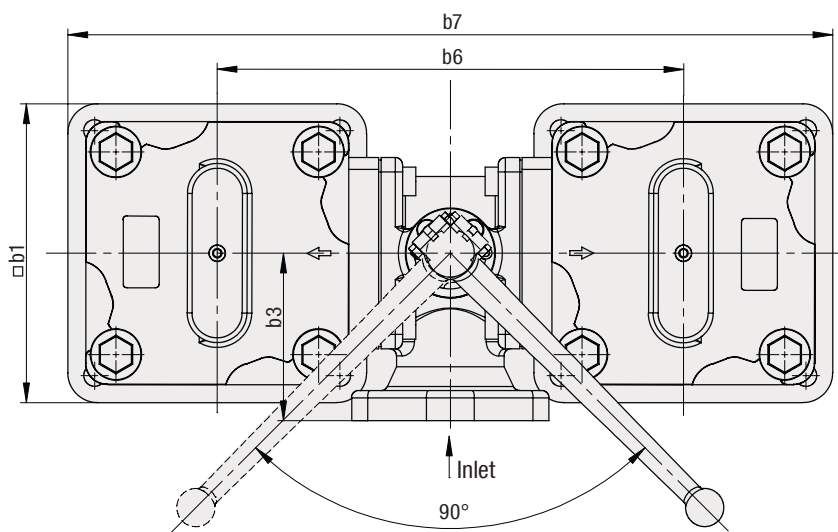
Return-Line Filters ■ Type RFS-D

D

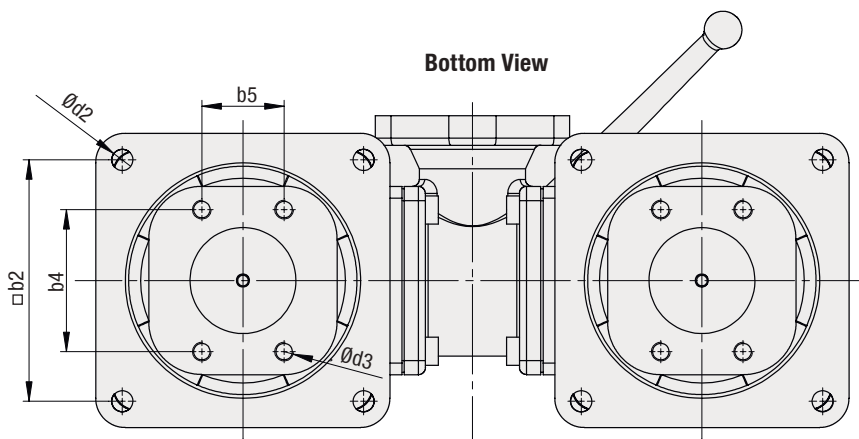
RFS-D-250/300



Top View



Bottom View



* recommended space for element change



Return-Line Filters ■ Type RFS / RFS-D

| Thread Connection | | Filter Size | | | | | | | | |
|-------------------|------------|-------------|---------|-----------|---------|-----------|---------|-----------|---------|-----------|
| | | RFS-045 | RFS-090 | RFS-D-090 | RFS-160 | RFS-D-160 | RFS-250 | RFS-D-250 | RFS-300 | RFS-D-300 |
| Inlet | BSP | 1-1/4 | 2 | 2 | - | - | - | - | - | - |
| | SAE Flange | - | 2 | 2 | 3 | 3 | 3-1/2 | 4 | 4 | 4 |
| Outlet G | BSP | 1-1/4 | 2 | 2 | 3 | 3 | - | - | - | - |
| | SAE Flange | - | - | - | - | - | 3-1/2 | 3-1/2 | 4 | 4 |

| Dimensions (mm/in) | Filter Size | | | | | | | | |
|--------------------|-------------|---------|-----------|---------|-----------|---------|-----------|---------|-----------|
| | RFS-045 | RFS-090 | RFS-D-090 | RFS-160 | RFS-D-160 | RFS-250 | RFS-D-250 | RFS-300 | RFS-D-300 |
| b1 | 120 | 150 | 150 | 196 | 196 | 255 | 255 | 255 | 255 |
| | 4.72 | 5.91 | 5.91 | 7.72 | 7.72 | 10.04 | 10.04 | 10.04 | 10.04 |
| b2 | 95,5 | 120 | 120 | 155,5 | 155,5 | 205 | 205 | 205 | 205 |
| | 3.76 | 4.72 | 4.72 | 6.12 | 6.12 | 8.07 | 8.07 | 8.07 | 8.07 |
| b3 | 66 | 85 | 69 | 110 | 100 | 135 | 140 | 145 | 140 |
| | 2.60 | 3.35 | 2.72 | 4.33 | 3.94 | 5.32 | 5.51 | 5.71 | 5.51 |
| b4 | - | 77,8 | 77,8 | 106,4 | 106,4 | 120,7 | 130,2 | 130,2 | 130,2 |
| | - | 3.06 | 3.06 | 4.19 | 4.19 | 4.75 | 5.13 | 5.13 | 5.13 |
| b5 | - | 42,9 | 42,9 | 61,9 | 61,9 | 69,5 | 77,8 | 77,8 | 77,8 |
| | - | 1.69 | 1.69 | 2.44 | 2.44 | 2.74 | 3.06 | 3.06 | 3.06 |
| b6 | - | - | 254 | - | 330 | - | 390 | - | 410 |
| | - | - | 10 | - | 12.99 | - | 15.15 | - | 16.14 |
| b7 | - | - | 404 | - | 525 | - | 640 | - | 660 |
| | - | - | 15.91 | - | 20.67 | - | 25.20 | - | 25.98 |
| b8 | - | - | - | - | - | - | 120,7 | - | 130,2 |
| | - | - | - | - | - | - | 4.75 | - | 5.13 |
| b9 | - | - | - | - | - | - | 69,5 | - | 77,8 |
| | - | - | - | - | - | - | 2.74 | - | 3.06 |
| d1 | 100 | 135 | 135 | 180 | 180 | 208 | 208 | 208 | 208 |
| | 3.94 | 5.32 | 5.32 | 7.09 | 7.09 | 8.19 | 8.19 | 8.19 | 8.19 |
| d2 | 6,5 | 9 | 9 | 13,5 | 13,5 | 17,5 | 17,5 | 17,5 | 17,5 |
| | .26 | .35 | .35 | .53 | .53 | .69 | .69 | .69 | .69 |
| d3 | - | M12 | M12 | M16 | M16 | M16 | M16 | M16 | M16 |
| | - | 1/2-UNC | 1/2-UNC | 5/8-UNC | 5/8-UNC | 5/8 UNC | 5/8 UNC | 5/8 UNC | 5/8 UNC |
| h1 | 120 | 138 | 138 | 243 | 243 | 251 | 251 | 332 | 332 |
| | 4.72 | 5.43 | 5.43 | 9.57 | 9.57 | 9.88 | 9.88 | 13.07 | 13.07 |
| h2 | 88 | 131 | 131 | 167 | 167 | 198 | 198 | 241 | 241 |
| | 3.47 | 5.16 | 5.16 | 6.57 | 6.57 | 7.80 | 7.80 | 9.49 | 9.49 |
| h3 | 43 | 63 | 63 | 84 | 84 | 93 | 93 | 121 | 121 |
| | 1.69 | 2.48 | 2.48 | 3.31 | 3.31 | 3.66 | 3.66 | 4.76 | 4.76 |
| h4 | 13 | 13 | 13 | 13 | 13 | 13 | 13 | 13 | 13 |
| | .51 | .51 | .51 | .51 | .51 | .51 | .51 | .51 | .51 |
| h5 | 7 | 12 | 12 | 12 | 12 | 24 | 24 | 24 | 24 |
| | .28 | .47 | .47 | .47 | .47 | .95 | .95 | .95 | .95 |
| h6 | 130 | 180 | 180 | 320 | 320 | 350 | 350 | 460 | 460 |
| | 5.11 | 7.09 | 7.09 | 12.60 | 12.60 | 13.78 | 13.78 | 18.11 | 18.11 |
| h7 | - | - | 314 | - | 450 | - | 525 | - | 630 |
| | - | - | 12.36 | - | 17.72 | - | 20.67 | - | 24.80 |

D



Return-Line Filter Housings / Complete Filters ■ Type RFS / RFS-D

RFS - **045** - **G** - **10** - **B** - **G20** - **G42NO** - **D** - **G20** / **X**

① ② ③ ④ ⑤ ⑥ ⑦ ⑧ ⑨ ⑩

① Type

| | |
|--|--------------|
| Single Carbon Steel Return-Line Filter | RFS |
| Double Carbon Steel Return-Line Filter | RFS-D |

② Group

| Flow | Size |
|---------------------------------------|------------|
| 170 l/min / 45 US GPM (not for RFS-D) | 045 |
| 340 l/min / 90 US GPM | 090 |
| 600 l/min / 160 US GPM | 160 |
| 945 l/min / 250 US GPM | 250 |
| 1135 l/min / 300 US GPM | 300 |

Note: Exact flow will depend on the selected filter element.
For technical data please see pages 101 / 102.

③ Filter Material

| Material | Max. Δp^* collapse | Micron ratings available | Code |
|------------------------|----------------------------|--------------------------|----------|
| Without filter element | - | - | O |
| Inorg. glass fibre | 25 bar / 363 PSI | 3, 5, 10, 20 | G |
| Stainless fibre | 30 bar / 435 PSI | | A |
| Filter paper | 10 bar / 145 PSI | 10, 20 | N |
| Stainless mesh | 30 bar / 435 PSI | 25, 50, 100, 200 | S |

Note: *Collapse/burst resistance as per ISO 2941.
Other materials on request.

④ Micron Rating

| | |
|-------------|------------|
| 3 μ m | 03 |
| 5 μ m | 05 |
| 10 μ m | 10 |
| 20 μ m | 20 |
| 25 μ m | 25 |
| 50 μ m | 50 |
| 100 μ m | 100 |
| 200 μ m | 200 |

Note: Other micron ratings on request.

⑤ Sealing Material

| | |
|--------------|----------|
| NBR (Buna®) | B |
| FKM (Viton®) | V |
| EPDM | E |

Note: Other sealing materials on request.

⑩ Design Code

Only for information **X**

⑥ Connection Style

| Connection Style | Thread Style | Group 045 | Code | Group 090 | Code | Group 160 | Code | Group 250 | Code | Group 250* / 300 | Code |
|---------------------|--------------|-----------|------------|-----------|--------------|-----------|--------------|-----------|--------------|------------------|--------------|
| BSP | - | 1-1/4 | G20 | 2 | G32 | - | - | - | - | - | - |
| SAE Flange 3000 PSI | metric | - | - | 2 | C332M | 3 | C348M | 3-1/2 | C356M | 4 | C364M |
| SAE Flange 3000 PSI | UNC | - | - | 2 | C332U | 3 | C348U | 3-1/2 | C356U | 4 | C364U |

* Note: Only for RFS-D-250.

⑦ Clogging Indicator

| | |
|---|--------------|
| Without Clogging Indicator | O |
| Visual Clogging Indicator | V |
| Electrical Clogging Switch 42 V, NO | G42NO |
| Electrical Clogging Switch 42 V, NC | G42NC |
| Electrical Clogging Switch 110 V ... 230 V, two-way contact (only for Code W) | G230 |

⑧ Option Clogging Indicator G42NO, G42NC and G230

| | |
|--|------------|
| Plug connector | O |
| M12 x 1,5 | M12 |
| AMP plug | A |
| Deutsch plug | D |
| Rubber boot | S |
| 90 degree Polyamide cap (only for Code G230) | W |

⑨ Outlet Style

| Connection Style | Thread Style | Group 045 | Code | Group 090 | Code | Group 160 | Code | Group 250 | Code | Group 300 | Code |
|---------------------|--------------|-----------|------------|-----------|------------|-----------|------------|-----------|--------------|-----------|--------------|
| BSP | - | 1-1/4 | G20 | 2 | G32 | 3 | G48 | - | - | - | - |
| SAE Flange 3000 PSI | metric | - | - | - | - | - | - | 3-1/2 | C356M | 4 | C364M |
| SAE Flange 3000 PSI | UNC | - | - | - | - | - | - | 3-1/2 | C356U | 4 | C364U |

Filter Elements ■ Type RE

RE - **045** - **G** - **10** - **B** / **X**

① ② ③ ④ ⑤ ⑥

① Type

| | |
|-----------------------|-----------|
| Filter Element Series | RE |
|-----------------------|-----------|

② Group

According to filter housing

③ Filter Material

| Material | Max. Δp^* collapse | Micron ratings available | Code |
|--------------------|----------------------------|--------------------------|----------|
| Inorg. glass fibre | 25 bar / 363 PSI | 3, 5, 10, 20 | G |
| Stainless fibre | 30 bar / 435 PSI | | A |
| Filter paper | 10 bar / 145 PSI | 10, 20 | N |
| Stainless mesh | 30 bar / 435 PSI | 25, 50, 100, 200 | S |

Note: *Collapse/burst resistance as per ISO 2941.
Other materials on request.

④ Micron Rating

| | |
|-------------|------------|
| 3 μ m | 03 |
| 5 μ m | 05 |
| 10 μ m | 10 |
| 20 μ m | 20 |
| 25 μ m | 25 |
| 50 μ m | 50 |
| 100 μ m | 100 |
| 200 μ m | 200 |

Note: Other micron ratings on request.

⑤ Sealing Material

| | |
|--------------|----------|
| NBR (Buna®) | B |
| FKM (Viton®) | V |
| EPDM | E |

Note: Other sealing materials on request.

⑥ Design Code

Only for information **X**



Return-Line Filters ■ Type RFS / RFS-D

Electrical Clogging Switch

The switch is used where an electrical signal is needed to indicate when the element needs to be changed. The switch can turn on a light, or shut the machine down, or any further function controlled by an electric signal. The switching pressure is 2,5 bar / 36.25 PSI and this allows the element to be changed before the bypass setting of 3 bar / 43.5 PSI is reached.

Standard type with plug connector and rubber cap. Available with DEUTSCH DT04-2P plug (industrial standard), AMP Junior Timer plug (industrial standard) and five-pin circular connector M12, A-coded, according to IEC 61076-2-101.

Technical Data

| | Limit-Switch G42NO+NC | Limit-Switch G230 |
|-------------------------|-----------------------|--|
| Switching Capacity | 100 VA | 1000 VA |
| Voltage | 10...42 VAC | 10...250 VAC |
| Current | | 10mA...4A |
| Switching Accuracy | | ± 0,5 bar at room temp. and new state |
| Switching Frequency | | 200/min |
| max. Pressure Ramp Rate | | ≤ 1 bar/ms |
| Degree of Protection | | IP65 (plug type S and W), IP67 (plug type M12, A, D) |
| Temperature Range | -30°C ... +100°C | -40°C ... +100°C |

Order Code

Limit-Switch - **G42NO** - **S** - **M10** - **B2.5**

①

②

③

④

⑤

① Type

Limit-Switch

② Connector Type

| | |
|---|--------------|
| Electrical Clogging Switch 42 V, NO | G42NO |
| Electrical Clogging Switch 42 V, NC | G42NC |
| Electrical Clogging Switch 110 V ... 230 V, two-way contact (only for Plug Type W) | G230 |

③ Plug Type

| | |
|---|------------|
| M12 Five-Pin Connector according to IEC 61076-2-101 | M12 |
| AMP-Junior-Timer Plug | A |
| DEUTSCH Plug DT04-2P | D |
| Rubber boot | S |
| 90 degree Polyamide cap (only for Connector Type G230) | W |

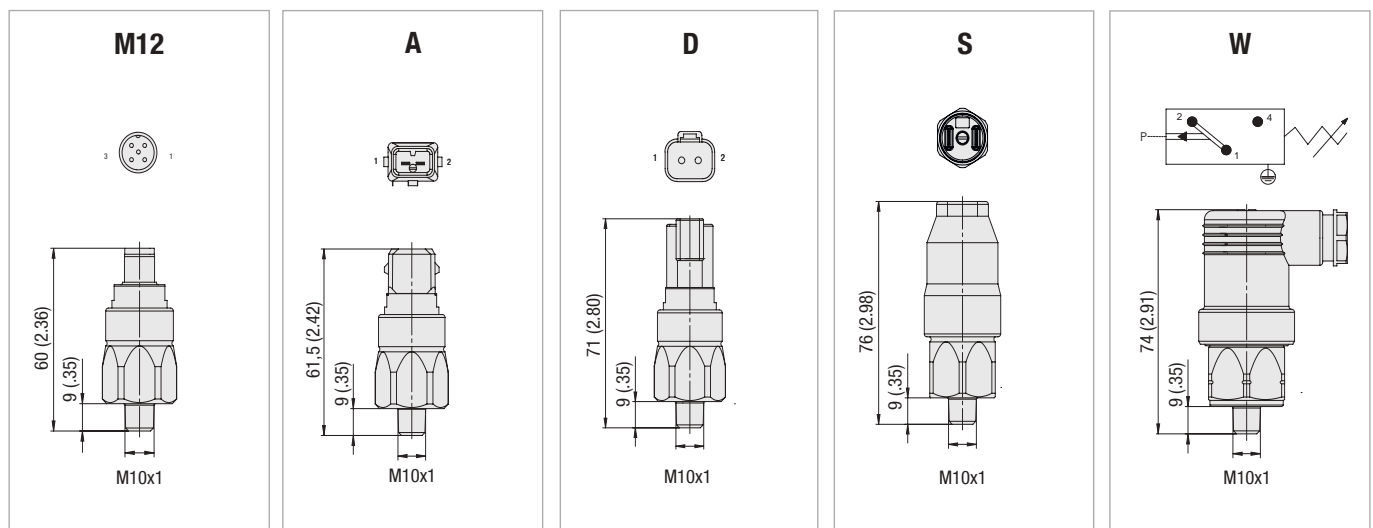
④ Thread Type

 M10 x 1 **M10**

⑤ Pressure Setting

 2,5 bar / 36.3 PSI **B2.5**

Dimensions Plug Type



Note: The customer / user carries the responsibility for the electrical connection.

Dimensional drawings: All dimensions in mm/in.



Return-Line Filters - Type RFS / RFS-D

Visual Clogging Indicator

The gauge visually displays the degree of contamination of the element. The colored segments allow quick visual checking.

| | | |
|--------|--------------------------------------|---|
| green | 0 ... 2,5 bar / 0 ... 36.25 PSI | Element has service life left |
| yellow | 2,5 ... 3,0 bar / 36.25 ... 43.5 PSI | Element is contaminated and should be changed |
| red | >3,0 bar / >43.5 PSI | Bypass valve open, unfiltered oil passing to tank |

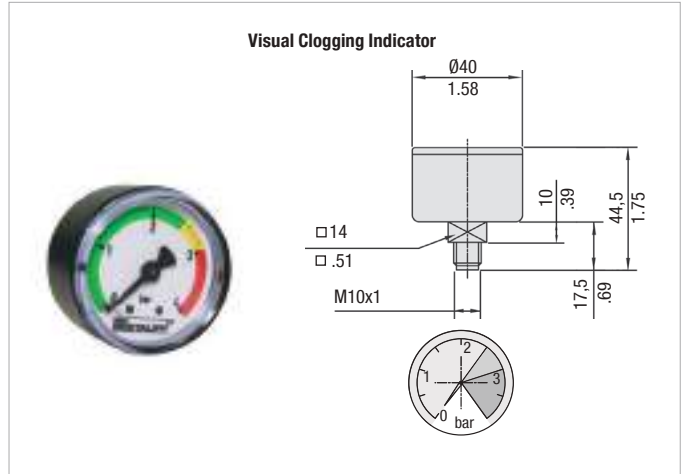
Order Codes

SPG-C-040-00004-02-P-M10-402922

①

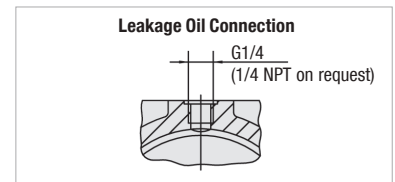
① Type

Visual Clogging Indicator **SPG-C-040-00004-02-P-M10-402922**



Leakage Oil Connection

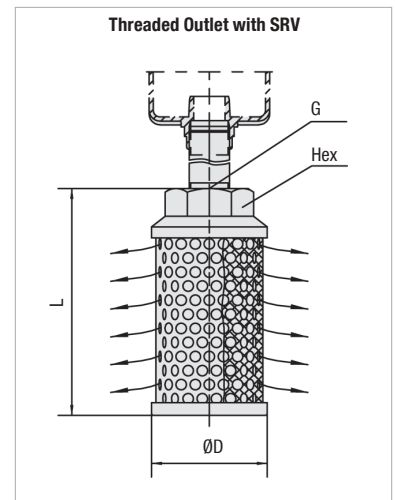
Seal or case drain lines can be connected to the filter through either of the clogging indicator ports providing that the leakage oil can accept a pressure of 3 bar / 43.5 PSI. It ensures that no unfiltered oil can return to the reservoir.



Filter Bowl with Threaded Connection and Diffuser

Diffusers mounted to the filter bowl minimise foaming and reduce noise of high Return-Line flows. For further details on STAUFF Diffusers please refer to the Catalogue No. 10 - Hydraulic Accessories. Attention: Connection pipe not included in scope of delivery!

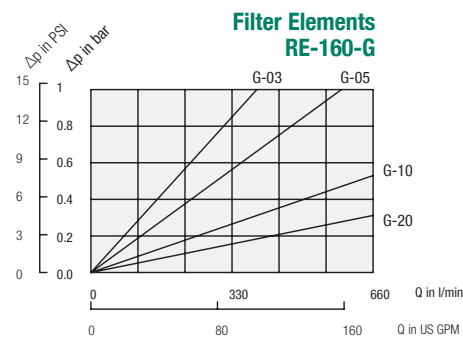
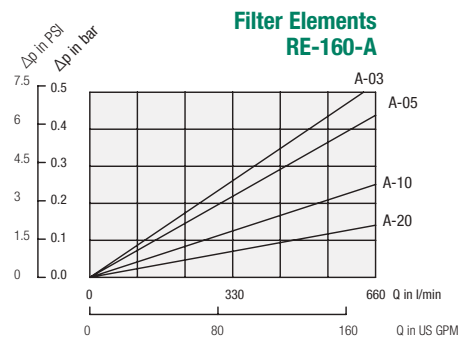
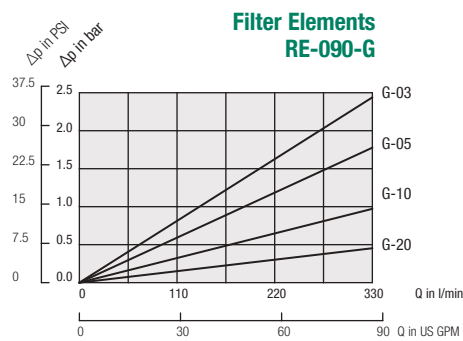
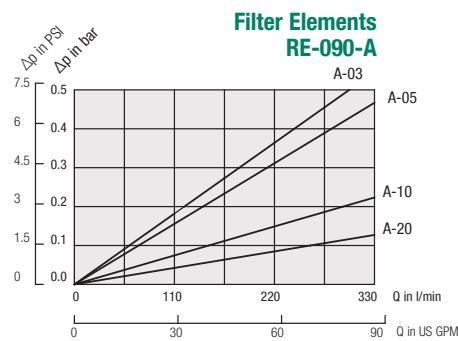
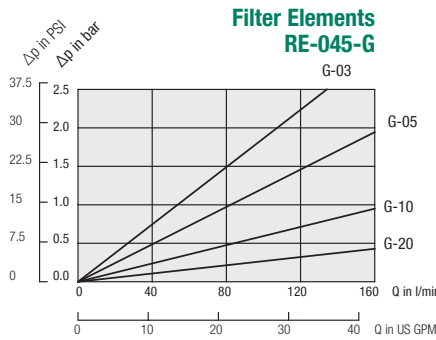
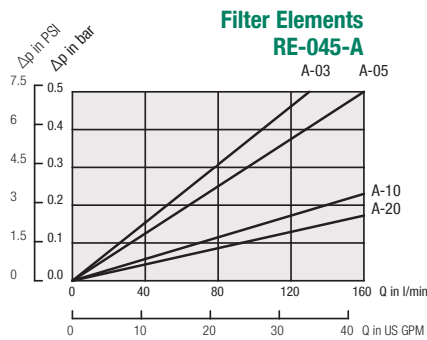
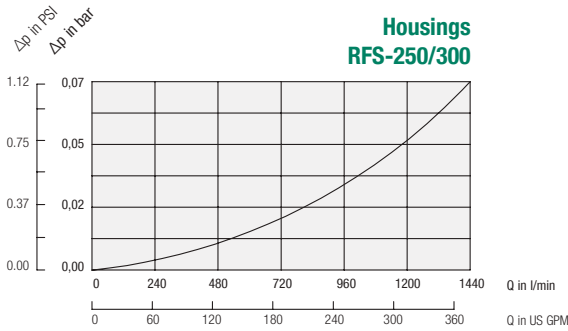
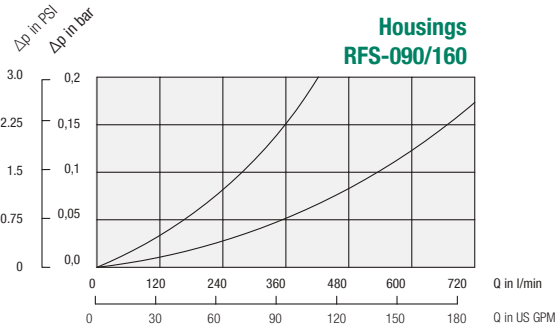
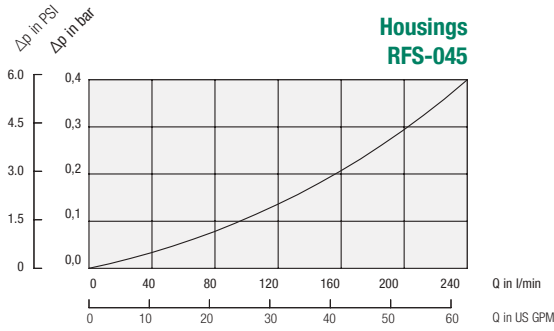
| Size SRV | for Return-Line Filter Size | Dimensions (mm/in) | | Thread G | Hex |
|-------------|-----------------------------|--------------------|-------|-----------|------|
| | | øD | L | | |
| SRV-227-G24 | RFS-250 | 84 | 200 | G1-1/2 | 60 |
| SRV-227-N24 | | 3.31 | 7.87 | 1-1/2 NPT | 2.36 |
| SRV-454-G32 | RFS-250 | 84 | 260 | G2 | 70 |
| SRV-454-N32 | | 3.31 | 10.24 | 2 NPT | 2.76 |
| SRV-950-G24 | RFS-250 | 148 | 272 | G3 | 100 |
| SRV-950-N24 | | 5.83 | 10.71 | 3 NPT | 3.94 |



Return-Line Filters ■ Type RFS Flow Characteristics

The following characteristics are valid for mineral oils with a density of 0,85 kg/dm³ and the kinematic viscosity of 30 mm²/s (30cSt). The characteristics have been determined in accordance to ISO 3968. Multipass filter ratings have been obtained in accordance to ISO 16889. The housing pressure drop is directly proportional to the oil density. Contact STAUFF for details.

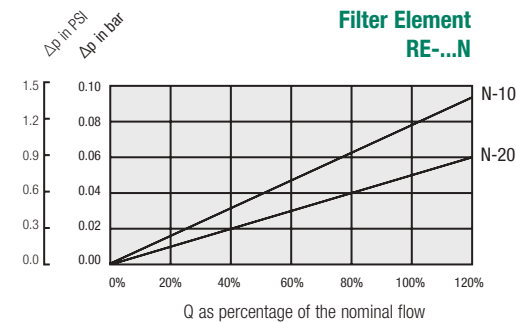
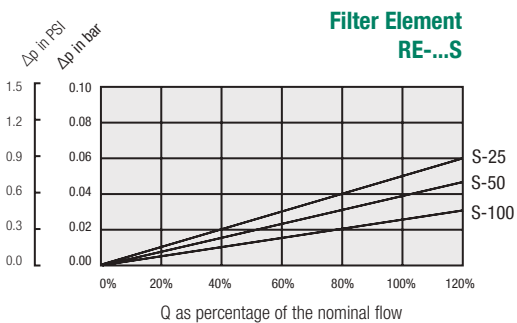
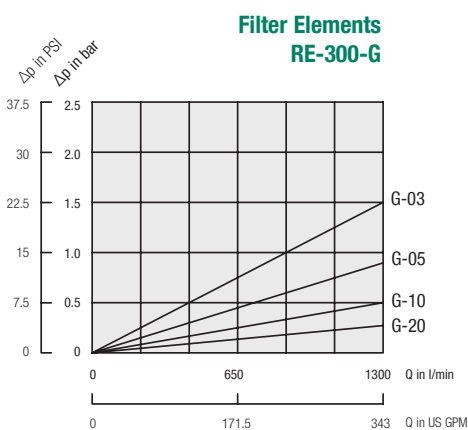
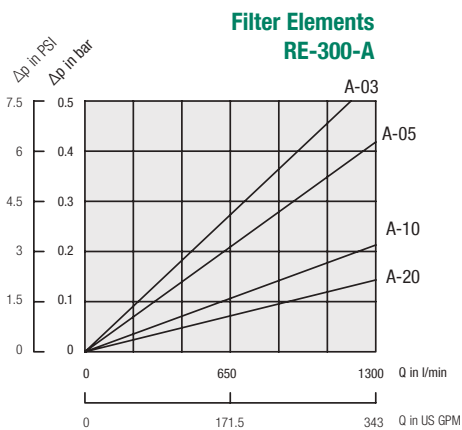
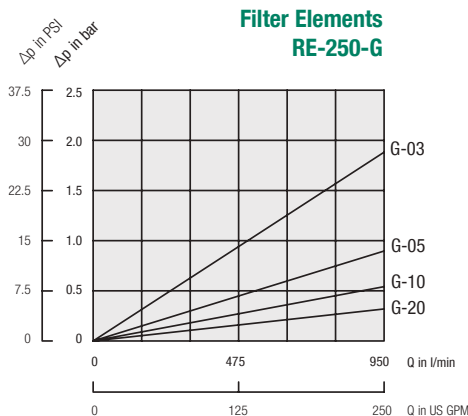
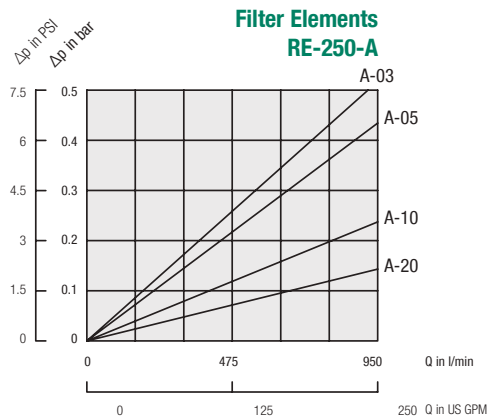
D



Return-Line Filters - Type RFS Flow Characteristics

The following characteristics are valid for mineral oils with a density of 0,85 kg/dm³ and the kinematic viscosity of 30 mm²/s (30cSt). The characteristics have been determined in accordance to ISO 3968. Multipass filter ratings have been obtained in accordance to ISO 16889. The housing pressure drop is directly proportional to the oil density. Contact STAUFF for details.

D



Return-Line Filters ■ Type RTF-10/15/25



D

Product Description

STAUFF RTF-10/15/25 Return-Line Filters are designed as tank top filters with a maximum operating pressure of 3,4 bar / 49 PSI.

Technical Data
Construction

- Tank Top flange mounting

Materials

- Filter head: Aluminium
- Filter bowl: Polyamide
- Sealings: NBR (Buna-N®)
FKM (Viton®)
Other sealing materials on request

Port Connections

- BSP
- NPT
- SAE O-ring thread

Flow Rating

- Up to 95 l/min / 25 US GPM

Operating Pressure

- Max. 3,4 bar / 49 PSI

Burst Pressure

- Min. 10 bar / 145 PSI

Temperature Range

- -25 °C ... +95 °C / -13 °F ... +203 °F

Filter Elements

- Specifications see page 106

Media Compatibility

- Mineral oils, other fluids on request

Options and Accessories
Valve

- Bypass valve: Opening pressure 1,7 bar / 25 PSI
(integrated in the filter element) Other settings available on request

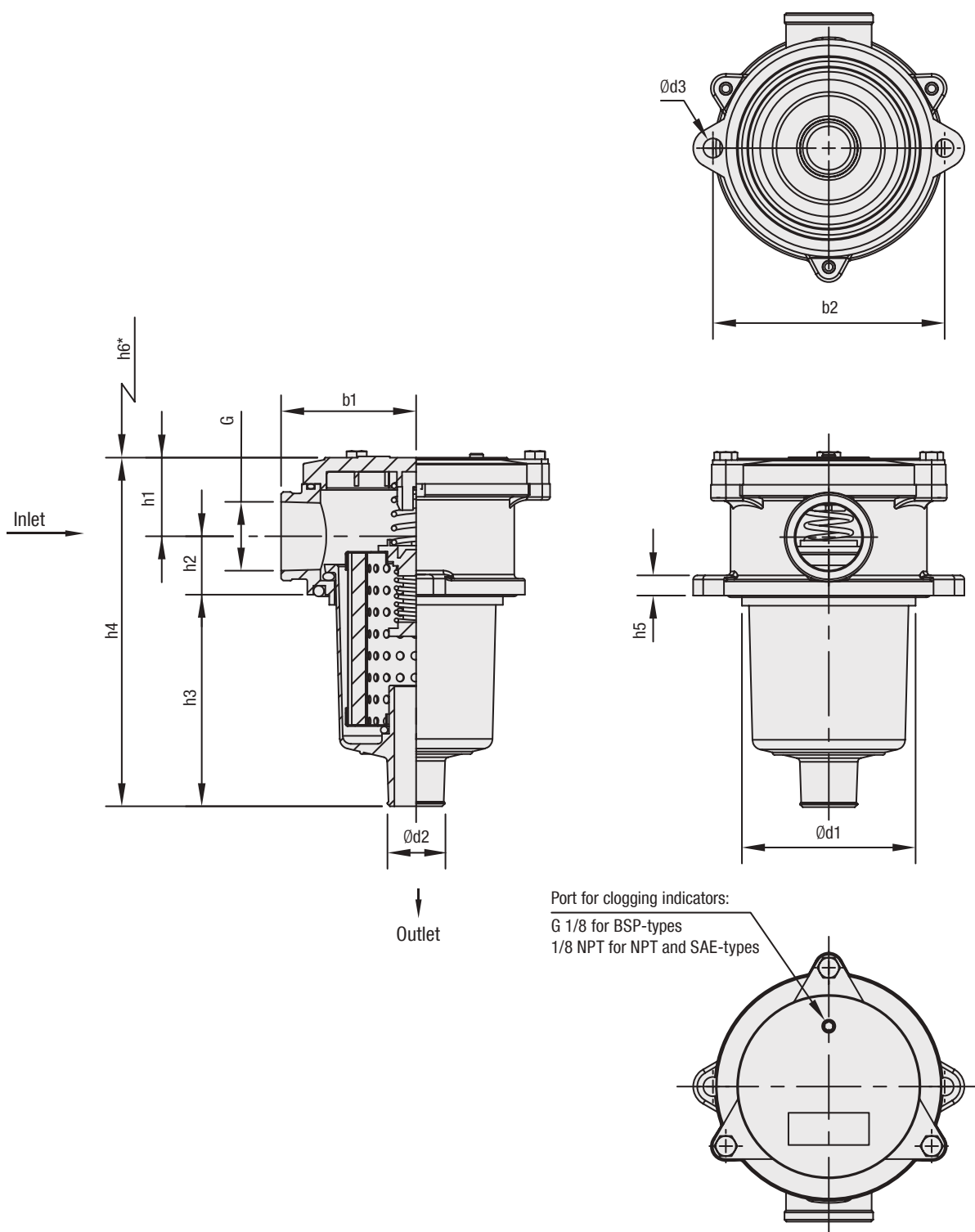
Clogging Indicators

- For clogging indicator types please see page 125



Return-Line Filters ▪ Type RTF-10/15/25

D



* recommended space for element change



Return-Line Filters ■ Type RTF-10/15/25

| Thread Connection G | Filter Size RTF | | |
|---------------------|-----------------|-----------|-----------|
| | 10 | 15 | 25 |
| BSP | 1/2 | 1 | 1 |
| NPT | 1/2 | 1 | 1 |
| SAE O-ring | - | 1-5/16-12 | 1-5/16-12 |

| Dimensions (mm/in) | Filter Size RTF | | |
|--------------------|-----------------|------|------|
| | 10 | 15 | 25 |
| h1 | 26 | 34 | 34 |
| | 1.02 | 1.34 | 1.34 |
| h2 | 21 | 29 | 29 |
| | .83 | 1.14 | 1.14 |
| h3 | 89 | 103 | 149 |
| | 3.50 | 4.05 | 5.87 |
| h4 | 136 | 166 | 212 |
| | 5.35 | 6.53 | 8.35 |
| h5 | 8 | 10 | 10 |
| | .32 | .39 | .39 |
| h6 | 110 | 130 | 175 |
| | 4.33 | 5.12 | 6.89 |
| b1 | 50 | 67 | 67 |
| | 1.97 | 2.64 | 2.64 |
| b2 | 90 | 115 | 115 |
| | 3.54 | 4.52 | 4.52 |
| d1 | 66 | 86 | 86 |
| | 2.60 | 3.39 | 3.39 |
| d2 | 24 | 28 | 28 |
| | .94 | 1.10 | 1.10 |
| d3 | 7 | 9 | 9 |
| | .28 | .35 | .35 |
| Weight (kg/lbs) | 0,45 | 0,9 | 1 |
| | 1 | 2 | 2.2 |

D



Return-Line Filter Housings / Complete Filters ■ Type RTF-10/15/25

RTF - 25 - D - 10 - B - G16 - V / X

① ② ③ ④ ⑤ ⑥ ⑦ ⑧

① Type

Return-Line Filter **RTF**

② Group

| Flow | Size |
|----------------------|-----------|
| 38 l/min / 10 US GPM | 10 |
| 57 l/min / 15 US GPM | 15 |
| 95 l/min / 25 US GPM | 25 |

Note: Exact flow will depend on the selected filter element.
For technical data please see pages 123 / 124.

③ Filter Material

| Material | Max. Δp^* collapse | Micron ratings available | Code |
|------------------------|----------------------------|--------------------------|----------|
| Without filter element | - | - | 0 |
| Inorg. glass fibre | 3 bar / 43.5 PSI | 10, 25 | G |
| Filter paper | 3 bar / 43.5 PSI | 10, 25 | D |

*Note: Collapse/burst resistance as per ISO 2941
Other materials on request

④ Micron Rating

| | |
|------------|-----------|
| 10 μ m | 10 |
| 25 μ m | 25 |

Note: Other micron ratings on request

⑤ Sealing Material

NBR (Buna®) **B**
FKM (Viton®) **V**
Note: Other sealing materials on request

⑥ Connection Style

| Connection Style | Group 10 | Code | Group 25 and 15 | Code |
|-------------------|----------|------------|-----------------|------------|
| BSP | 1/2 | G08 | 1 | G16 |
| NPT | 1/2 | N08 | 1 | N16 |
| SAE O-ring Thread | - | - | 1-5/16-12 | U16 |

⑦ Clogging Indicator

Without clogging indicator **0**
Visual clogging indicator **V**
Electrical clogging indicator **E**
Note: See page 125 for more details on indicator ports and types.

⑧ Design Code

Only for information **X**

Filter Elements ■ Type RTE

RTE - 25 - D - 10 - B / X

① ② ③ ④ ⑤ ⑥

① Type

Filter Element Series **RTE**

② Group

According to filter housing

③ Filter Material

| Material | Max. Δp^* collapse | Micron ratings available | Code |
|--------------------|----------------------------|--------------------------|----------|
| Inorg. glass fibre | 3 bar / 43.5 PSI | 10, 25 | G |
| Filter paper | 3 bar / 43.5 PSI | 10, 25 | D |

* Note: Collapse/burst resistance as per ISO 2941
Other materials on request

④ Micron Rating

| | |
|------------|-----------|
| 10 μ m | 10 |
| 25 μ m | 25 |

Note: Other micron ratings on request

⑤ Sealing Material

NBR (Buna®) **B**
FKM (Viton®) **V**
Note: Other sealing materials on request

⑥ Design Code

Only for information **X**



Return-Line Filters ■ Type RTF-20



D

Product Description

STAUFF RTF-20 Return-Line Filters are designed as tank top filters with a maximum operating pressure of 10 bar / 145 PSI and flow rates up to 115 l/min / 30 US GPM. The filter bowl is designed to return the oil beneath the surface thus preventing entrainment of air. RTF-20 series compact design and integral breather make them ideal for mobile hydraulic applications.

Technical Data
Construction

- Tank Top flange mounting

Materials

- Filter head: Aluminium
- Filter bowl & cap: Polyamide
- Sealings: NBR (Buna-N®)
FKM (Viton®)
Other sealing materials on request

Port Connections

- BSP
- NPT
- SAE O-ring thread

Flow Rating

- Up to 115 l/min / 30 US GPM

Operating Pressure

- Max. 10 bar / 145 PSI

Burst Pressure

- Min. 30 bar / 435 PSI

Temperature Range

- -25 °C ...+95 °C / -13 °F ... +203 °F

Integrated Breather

- Filter paper 10 µm
- Filter paper 40 µm

Filter Elements

- Specifications see page 110

Media Compatibility

- Mineral oils, other fluids on request

Options and Accessories
Valve

- Bypass valve: Opening pressure 1,7 bar / 25 PSI
(integrated in the filter element) Other settings available on request

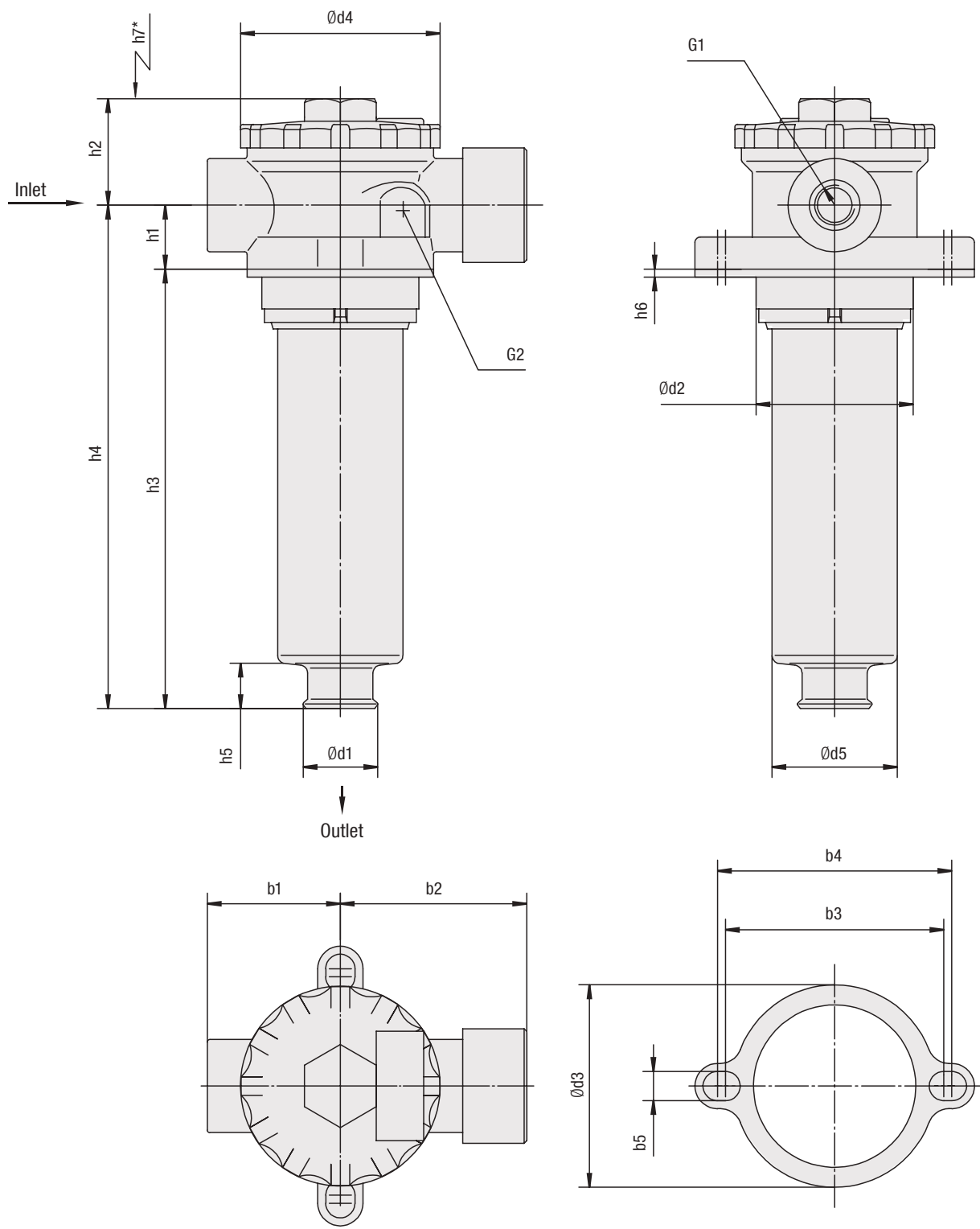
Clogging Indicators

- For clogging indicator types please see page 125



Return-Line Filters ■ Type RTF-20

D



* recommended space for element change



Return-Line Filters ■ Type RTF-20

| Thread Connection G1 | Filter Size RTF 020 | |
|----------------------|------------------------|--------|
| BSP | 1/2 | 3/4 |
| NPT | 1/2 | 3/4 |
| SAE Thread | 3/4-16 | 1-1/16 |

| Dimensions (mm/in) | Filter Size RTF 020 | |
|--------------------|------------------------|--|
| b1 | 50 | |
| | 1.97 | |
| b2 | 70 | |
| | 2.76 | |
| b3 | 82 | |
| | 3.23 | |
| b4 | 88 | |
| | 3.46 | |
| b5 | 11 | |
| | .43 | |
| d1 | 28 | |
| | 1.10 | |
| d2* | Min. 60 / Max. 63 | |
| | Min. 2.36 / Max. 2.48 | |
| d3 | 77 | |
| | 3.03 | |
| d4 | 75 | |
| | 2.95 | |
| d5 | 48 | |
| | 1.89 | |
| h1 | 24 | |
| | .94 | |
| h2 | 37,5 | |
| | 1.48 | |
| h3 | 178 | |
| | 7.01 | |
| h4 | 202 | |
| | 7.95 | |
| h5 | 16 | |
| | .63 | |
| h6 | 2 | |
| | .07 | |
| h7 | 210 | |
| | 8.27 | |
| G2 | G1/8 or 1/8 NPT | |

* recommended diameter for mounting hole

D



Return-Line Filter Housings / Complete Filters ■ Type RTF-20

RTF - 20 - D - 10 - B - G08 - V - L10 - D / X

① ② ③ ④ ⑤ ⑥ ⑦ ⑧ ⑨ ⑩

① Type

Return-Line Filter **RTF**

② Group

Flow **Size**
115 l/min / 30 US GPM **20**
Note: Exact flow will depend on the selected filter element.
For technical data please see pages 123 / 124..

③ Filter Material

| Material | Max. Δp^* collapse | Micron ratings available | Code |
|------------------------|----------------------------|--------------------------|----------|
| Without filter element | - | - | 0 |
| Inorg. glass fibre | 25 bar / 363 PSI | 10, 20 | G |
| Filter paper | 10 bar / 145 PSI | 10 | D |

*Note: Collapse/burst resistance as per ISO 2941
Other materials on request

④ Micron Rating

10 μ m **10**
20 μ m **20**
Note: Other micron ratings on request

⑤ Sealing Material

NBR (Buna®) **B**
FKM (Viton®) **V**
Note: Other sealing materials on request

⑥ Connection Style

| Connection Style | Thread | Code |
|-------------------|-----------|------------|
| BSP | 1/2 | G08 |
| BSP | 3/4 | G12 |
| NPT | 1/2 | N08 |
| NPT | 3/4 | N12 |
| SAE O-ring Thread | 3/4-16 | U08 |
| SAE O-ring Thread | 1-1/16-12 | U12 |

⑦ Clogging Indicator

No clogging indicator **0**
Visual clogging indicator **V**
Electrical clogging indicator **E**
Note: See page 125 for more details on indicator ports and types.

⑧ Breather

10 μ m Filter Paper **L10**
40 μ m Filter Paper **L40**

⑨ Dipstick

Without dipstick (standard) **none**
With dipstick **D**

⑩ Design Code

Only for information **X**

Filter Elements ■ Type RTE

RTE - 20 - D - 10 - B / X

① ② ③ ④ ⑤ ⑥

① Type

Filter Element Series **RTE**

② Group

According to filter housing

③ Filter Material

| Material | Max. Δp^* collapse | Micron ratings available | Code |
|--------------------|----------------------------|--------------------------|----------|
| Inorg. glass fibre | 25 bar / 363 PSI | 10, 20 | G |
| Filter paper | 10 bar / 145 PSI | 10 | D |

*Note: Collapse/burst resistance as per ISO 2941
Other materials on request

④ Micron Rating

10 μ m **10**
20 μ m **20**
Note: Other micron ratings on request

⑤ Sealing Material

NBR (Buna®) **B**
FKM (Viton®) **V**
Note: Other sealing materials on request

⑥ Design Code

Only for information **X**

Air Filter Elements ■ Type RTEA

RTEA - 020 - L - 10 - B / X

① ② ③ ④ ⑤ ⑥

① Type

Air Filter Element Series **RTEA**

② Group

Air filter for RTF-20

③ Filter Material

Filter Paper **L**
Note: Other materials on request

④ Micron Rating

10 μ m **10**
Note: Other micron ratings on request

⑤ Sealing Material

NBR (Buna®) **B**
Note: Other sealing materials on request

⑥ Design Code

Only for information **X**

Return-Line Filters ▪ Type RTF-40



D

Product Description

STAUFF RTF-40 Return-Line Filters are designed as tank top filters with a maximum operating pressure of 6,9 bar / 100 PSI. The filter bowl is designed to return the oil beneath the surface thus preventing entrainment of air.

Technical Data
Construction

- Tank Top flange mounting

Materials

- Filter head: Aluminium
- Filter bowl: Bowl length 1: Polyamide
Bowl length 2: Steel
- Sealings: NBR (Buna-N®)
Other sealing materials on request

Port Connections

- BSP
- NPT
- SAE O-ring thread
- SAE flange

Flow Rating

- Up to 378 l/min / 100 US GPM

Operating Pressure

- Max. 6,9 bar / 100 PSI

Temperature Range

- -25 °C ... +95 °C / -13 °F ... +203 °F

Filter Elements

- RTE-47 with integrated bypass valve, single stack length
- RTE-48 bypass valve integrated in the filter head, equivalent to the HF-4 elements, single and double stack lengths
- RTE-49 bypass valve integrated in the filter head, single and double stack lengths
- Specifications see page 114

Media Compatibility

- Mineral oils, other fluids on request

Options and Accessories
Valve

- Bypass valve: Opening pressures 1 bar / 14.5 PSI \pm 10 % or
1,7 bar / 25 PSI \pm 10 %
RTF-47: Bypass intergrated in the filter element
RTF-48/49: Bypass integrated in the filter head

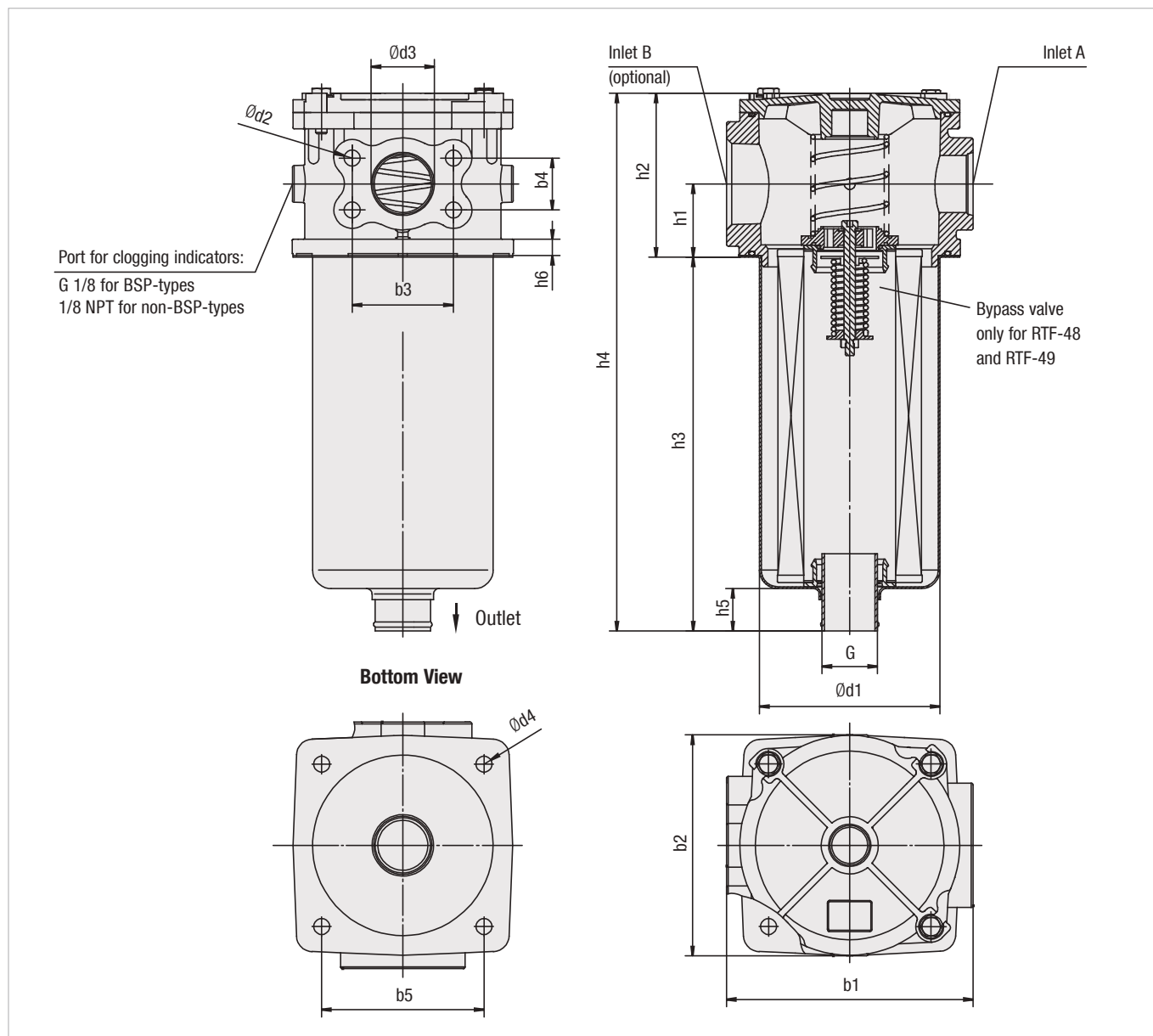
Clogging Indicators

- For clogging indicator types please see page 125



Return-Line Filters ■ Type RTF-40

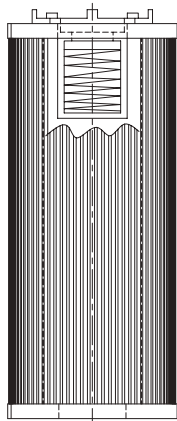
D



Filter Elements ■ Types RTE-47 / RTE-48 / RTE-49

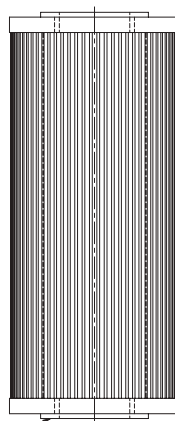
RTE-47

- with integrated bypass valve
- single stack length



RTE-48

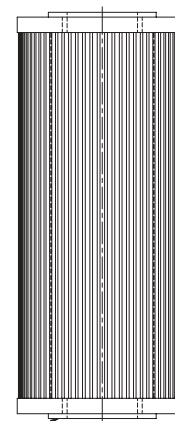
- bypass valve integrated in the filter head
- equivalent to the HF-4 elements
- single and double stack lengths



Seal: NBR (Buna®)

RTE-49

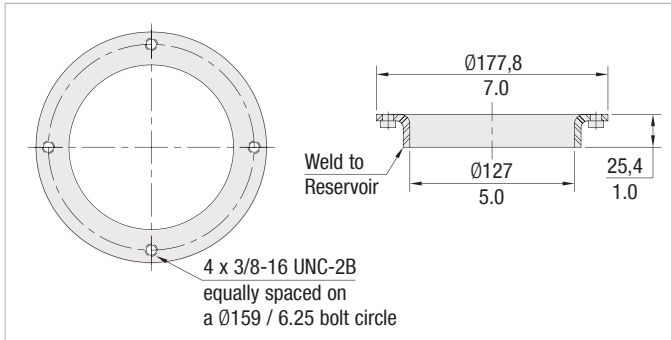
- bypass valve integrated in the filter head
- single and double stack lengths



Seal: NBR (Buna®)



Return-Line Filters ■ Type RTF-40


RTF-40 Series Weld Ring WR-40

The WR-40 weld ring is welded directly to the hydraulic reservoir, eliminating the need for drilling and tapping mounting holes in the reservoir.

Material: Carbon Steel

| Thread Connection Combinations | Filter Size RTF | | | |
|--------------------------------|----------------------------|----------|----------------------------|----------|
| | 4...S1 | | 4...S2 | |
| | Inlet A | Inlet B | Inlet A | Inlet B |
| BSP | 1-1/4 and 1-1/2 SAE Flange | None | 1-1/4 and 1-1/2 SAE Flange | None |
| BSP | 1-1/4 and 1-1/2 SAE Flange | 1-1/4 | 1-1/4 and 1-1/2 SAE Flange | 1-1/4 |
| NPT | 1-1/4 and 1-1/2 SAE Flange | None | 1-1/4 and 1-1/2 SAE Flange | None |
| NPT | 1-1/4 and 1-1/2 SAE Flange | 1-1/4 | 1-1/4 and 1-1/2 SAE Flange | 1-1/4 |
| NPT | 1-1/2 | None | 1-1/2 | None |
| NPT | 1-1/2 | 1-1/4 | 1-1/2 | 1-1/4 |
| NPT | 1-1/2 | 1-1/2 | 1-1/2 | 1-1/2 |
| SAE | 1-5/8-12 | None | 1-5/8-12 | None |
| SAE | 1-5/8-12 | 1-5/8-12 | 1-5/8-12 | 1-5/8-12 |
| SAE | 1-5/8-12 | 1-7/8-12 | 1-5/8-12 | 1-7/8-12 |
| SAE | 1-5/8-12 | 2-1/2-12 | 1-5/8-12 | 2-1/2-12 |
| SAE | 1-7/8-12 | 1-7/8-12 | 1-7/8-12 | 1-7/8-12 |
| Combination SAE & NPT | 1-5/8-12 | 2 | 1-5/8-12 | 2 |

| Dimensions (mm/in) | Filter Size RTF | |
|--------------------|------------------------|------------------------|
| | 4...S1 | 4...S2 |
| h1 | 50 1.97 | 50 1.97 |
| h2 | 112 4.41 | 112 4.41 |
| h3 | 263 10.35 | 475 18.70 |
| h4 | 385 15.16 | 587 23.11 |
| h5 | 21 .83 | 38 1.50 |
| h6 | 11 .43 | 11 .43 |
| b1 | 170 6.70 | 170 6.70 |
| b2 | 152 5.98 | 152 5.98 |
| b3 | 69.9 2.75 | 69.9 2.75 |
| b4 | 35.6 1.40 | 35.6 1.40 |
| b5 | 112 4.41 | 112 4.41 |
| d1 | 122 4.80 | 126 4.96 |
| d2 | M12 or 1/2-13 UN | M12 or 1/2-13 UN |
| d3 | 38,1 1.50 | 38,1 1.50 |
| d4 | 11 .43 | 11 .43 |
| G | G1-1/2 or 1-1/2 NPT | G1-1/2 or 1-1/2 NPT |

Dimensions in mm / in



Return-Line Filter Housings / Complete Filters ■ Type RTF-40

RTF - **48** - **D** - **10** - **B** - **G20+C324M/G20** - **B1** - **S2** - **V** / **X**

① ② ③ ④ ⑤ ⑥ ⑦ ⑧ ⑨ ⑩

① Type

Return-Line Filter **RTF**

② Group

| Flow | Size |
|-----------------------|-----------|
| 190 l/min / 50 US GPM | 47 |
| 190 l/min / 50 US GPM | 48 |
| 190 l/min / 50 US GPM | 49 |

Note: Exact flow will depend on the selected filter element.
For technical data please see pages 123 / 124.
For element length 2 (only RTF-48 / RTF-49)
please double relating flow values.

③ Filter Material

| Material | Max. Δp *collapse | Micron ratings available | Code |
|------------------------|---------------------------|--------------------------|----------|
| Without filter element | - | - | 0 |
| Inorg. glass fibre | 10 bar / 145 PSI | 3, 5, 10, 25 | G |
| Filter paper | 10 bar / 145 PSI | 10, 25 | D |

*Note: Collapse/burst resistance as per ISO 2941
Other materials on request

④ Micron Rating

| | |
|------------|-----------|
| 3 μ m | 03 |
| 5 μ m | 05 |
| 10 μ m | 10 |
| 25 μ m | 25 |

Note: Other micron ratings on request

⑤ Sealing Material

NBR (Buna®) **B**
Note: Other sealing materials on request

⑥ Connection Style

| Connection Style | Group | | Code |
|-----------------------|----------------------------|----------|----------------------|
| | Port A | Port B | |
| BSP | 1-1/4 and 1-1/2 SAE Flange | None | G20+C324M/0 |
| BSP | 1-1/4 and 1-1/2 SAE Flange | 1-1/4 | G20+C324M/G20 |
| NPT | 1-1/4 and 1-1/2 SAE Flange | None | N20+C324M/0 |
| NPT | 1-1/4 and 1-1/2 SAE Flange | 1-1/4 | N20+C324M/N20 |
| NPT | 1-1/2 | None | N24/0 |
| NPT | 1-1/2 | 1-1/4 | N24/N20 |
| NPT | 1-1/2 | 1-1/2 | N24/N24 |
| SAE | 1-5/8-12 | None | U20/0 |
| SAE | 1-5/8-12 | 1-5/8-12 | U20/U20 |
| SAE | 1-5/8-12 | 1-7/8-12 | U20/U24 |
| SAE | 1-5/8-12 | 2-1/2-12 | U20/U40 |
| SAE | 1-7/8-12 | 1-7/8-12 | U24/U24 |
| Combination NPT & SAE | 1-5/8-12 | 2 | U20/N32 |

⑦ Valve

No bypass **0**
1 bar / 15 PSI **B1.0**
1,7 bar / 24.6 PSI **B1.7**

⑧ Length

Bowl Length 1 (1 element) **S1**
Bowl Length 2 (2 elements) **S2**
Note: RTF-47 size available in S1 bowl length only.

⑨ Clogging Indicator

No clogging indicator **0**
Visual clogging indicator **V**
Electrical clogging indicator **E**
Note: See page 125 for more details on indicator ports and options.

⑩ Design Code

Only for information **X**

Filter Elements ■ Type RTE

RTE - **48** - **D** - **10** - **B** / **X**

① ② ③ ④ ⑤ ⑥

① Type

Filter Element Series **RTE**

② Group

According to filter housing

③ Filter Material

| Material | Max. Δp *collapse | Micron ratings available | Code |
|--------------------|---------------------------|--------------------------|----------|
| Inorg. glass fibre | 10 bar / 145 PSI | 3, 5, 10, 25 | G |
| Filter paper | 10 bar / 145 PSI | 10, 25 | D |

*Note: Collapse/burst resistance as per ISO 2941
Other materials on request

④ Micron Rating

| | |
|------------|-----------|
| 3 μ m | 03 |
| 5 μ m | 05 |
| 10 μ m | 10 |
| 25 μ m | 25 |

Note: Other micron ratings on request

⑤ Sealing Material

NBR (Buna®) **B**
Note: Other sealing materials on request

⑥ Design Code

Only for information **X**



Return-Line Filters ▪ Type RTF-50



D

Product Description

STAUFF RTF-50 Return-Line Filters are designed for tank top applications with a maximum pressure of 6,9 bar / 100 PSI. The filter bowl is designed to return the oil beneath the surface thus preventing entrainment of air. The RTF-58 elements interchange with the popular "K" series and RTF-59 elements interchange with the "RE-409" series elements.

Technical Data
Construction

- Tank Top flange mounting

Materials

- Filter head: Aluminium
- Filter bowl: Bowl length 1: Polyamide
Bowl length 2: Steel
- Sealings: NBR (Buna-N®)
Other sealing materials on request

Port Connections

- BSP
- NPT
- SAE O-ring thread

Flow Rating

- Up to 379 l/min / 100 US GPM

Operating Pressure

- Max. 6,9 bar / 100 PSI

Temperature Range

- -25 °C ... +95 °C / -13 °F ... +203 °F

Filter Elements

- Specifications see page 118

Media Compatibility

- Mineral oils, other fluids on request

Options and Accessories
Valve

- Bypass valve: Opening pressures 1 bar / 14.5 PSI \pm 10 % or 1,7 bar / 25 PSI \pm 10 %
Other settings available on request

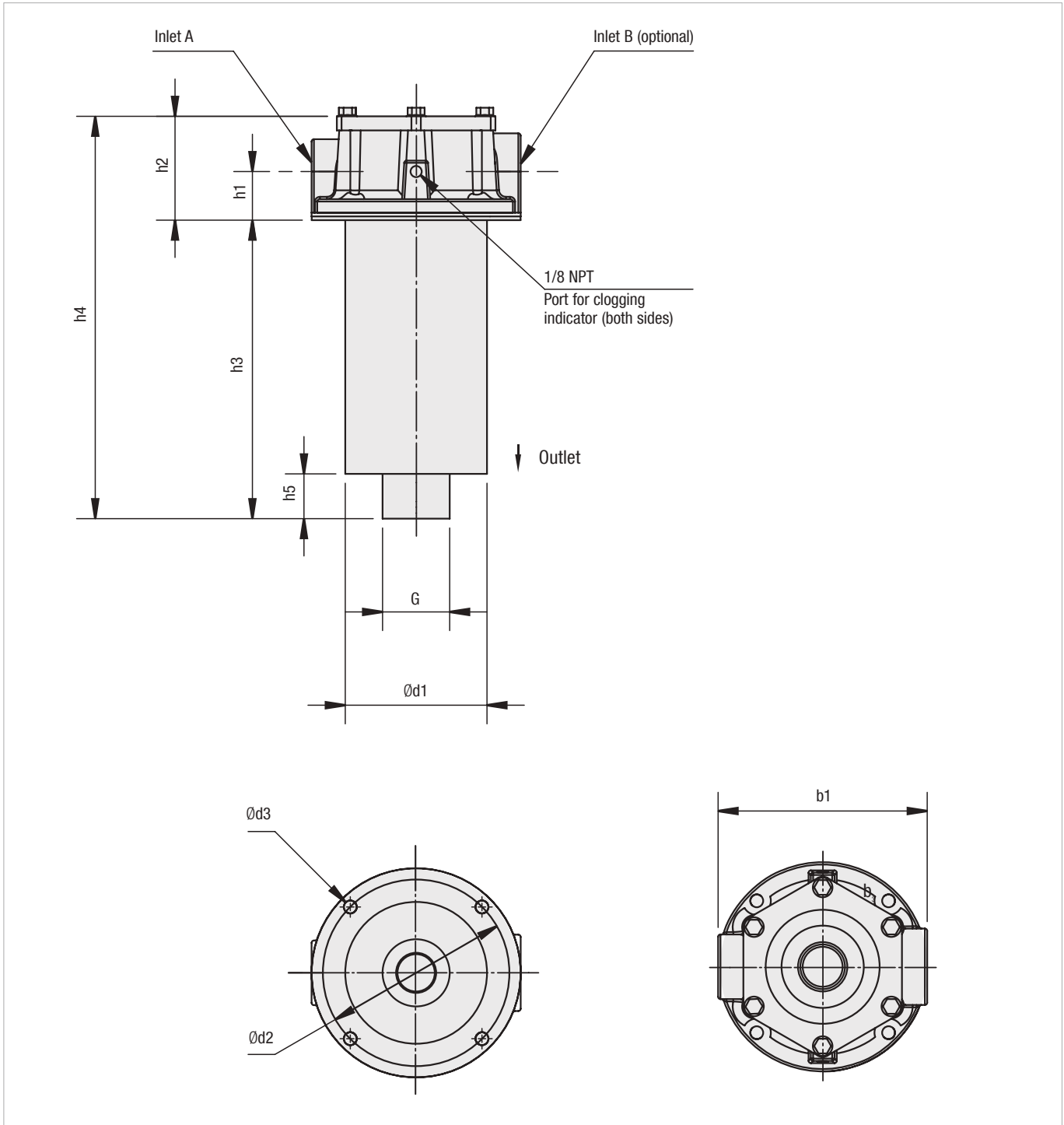
Clogging Indicators

- For clogging indicator types please see page 125

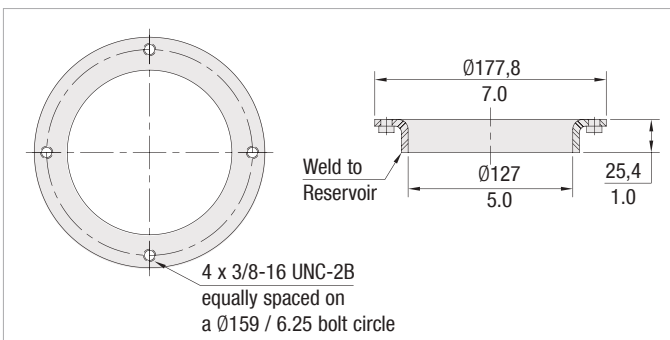


Return-Line Filters ■ Type RTF-50

D



Return-Line Filters ■ Type RTF Accessories



RTF-50 Series Weld Ring WR-40

The WR-40 weld ring is welded directly to the hydraulic reservoir, eliminating the need for drilling and tapping mounting holes in the reservoir.

Material: Carbon Steel

Dimensions in mm / in



Return-Line Filters ■ Type RTF-50

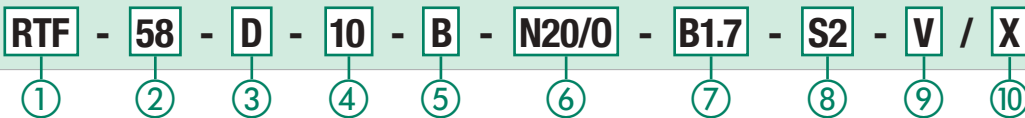
| Thread Connection Combinations | Filter Size RTF | | | |
|--------------------------------|-----------------|----------|----------|----------|
| | 5...S1 | | 5...S2 | |
| | Inlet A | Inlet B | Inlet A | Inlet B |
| NPT (N) | 1-1/4 | None | 1-1/4 | None |
| NPT (NM) | 1-1/4 | 1-1/2 | 1-1/4 | 1-1/2 |
| NPT (M) | None | 1-1/2 | None | 1-1/2 |
| Combination SAE & NPT (SM) | 1-5/8-12 | 1-1/2 | 1-5/8-12 | 1-1/2 |
| SAE (S) | 1-5/8-12 | None | 1-5/8-12 | None |
| SAE (T) | None | 1-7/8-12 | None | 1-7/8-12 |
| SAE (ST) | 1-5/8-12 | 1-7/8-12 | 1-5/8-12 | 1-7/8-12 |
| Combination NPT & SAE (NT) | 1-1/4 | 1-7/8-12 | 1-1/4 | 1-7/8-12 |

| Dimensions (mm/in) | Filter Size RTF | |
|--------------------|-----------------|-----------|
| | 5...S1 | 5...S2 |
| h1 | 49,3 | 42,3 |
| | 1.94 | 1.67 |
| h2 | 95,5 | 88,5 |
| | 3.78 | 3.48 |
| h3 | 241,3 | 485,9 |
| | 9.50 | 19.13 |
| h4 | 336,8 | 574,9 |
| | 13.26 | 22.61 |
| h5 | 29,5 | 38,1 |
| | 1.16 | 1.50 |
| b1 | 177,8 | 177,8 |
| | 7.00 | 7.00 |
| d1 | 124,8 | 126 |
| | 4.91 | 4.96 |
| d2 | 158,7 | 158,7 |
| | 6.25 | 6.25 |
| d3 | 11,2 | 11,2 |
| | .44 | .44 |
| G | 1-1/2 NPT | 1-1/2 NPT |

D



Return-Line Filter Housings / Complete Filters ▪ Type RTF-50



① Type

Return-Line Filter **RTF**

② Group

| Flow | Size |
|---------------|-----------|
| Group size 58 | 58 |
| Group size 59 | 59 |

Note: Exact flow will depend on the selected filter element. For technical data please see pages 123 / 124.

③ Filter Material

| Material | Max. Δp*collapse | Micron ratings available | Code |
|------------------------|------------------|--------------------------|----------|
| Without filter element | - | - | 0 |
| Inorg. glass fibre | 10 bar / 145 PSI | 3, 5, 10, 25 | G |
| Filter paper | 5 bar / 72.5 PSI | 10, 25 | D |

*Note: Collapse/burst resistance as per ISO 2941
Other materials on request

④ Micron Rating

| | |
|-------|-----------|
| 3 μm | 03 |
| 5 μm | 05 |
| 10 μm | 10 |
| 25 μm | 25 |

Note: Other micron ratings on request

⑤ Sealing Material

NBR (Buna®) **B**
Note: Other sealing materials on request

⑥ Connection Style

| Connection Style | Group | | Code |
|-----------------------|----------|----------|----------------|
| | Port A | Port B | |
| NPT | 1-1/4 | None | N20/0 |
| NPT | 1-1/4 | 1-1/2 | N20/N24 |
| NPT | None | 1-1/2 | 0/N24 |
| Combination SAE & NPT | 1-5/8-12 | 1-1/2 | U20/N24 |
| SAE | 1-5/8-12 | None | U20/0 |
| SAE | None | 1-7/8-12 | 0/U24 |
| SAE | 1-5/8-12 | 1-7/8-12 | U20/U24 |
| Combination NPT & SAE | 1-1/4 | 1-7/8-12 | N20/U24 |

⑦ Valve

| | |
|--------------------|-------------|
| No bypass | 0 |
| 1 bar / 15 PSI | B1.0 |
| 1,7 bar / 24.6 PSI | B1.7 |

⑧ Length

| | |
|----------------------------|-----------|
| Bowl Length 1 (1 element) | S1 |
| Bowl Length 2 (2 elements) | S2 |

⑨ Clogging Indicator

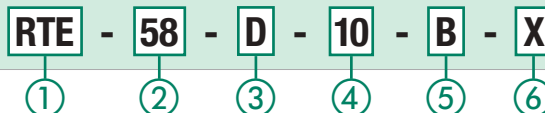
| | |
|-------------------------------|----------|
| No clogging indicator | 0 |
| Visual clogging indicator | V |
| Electrical clogging indicator | E |

Note: See page 125 for more details on indicator ports and types.

⑩ Design Code

Only for information **X**

Filter Elements ▪ Type RTE



① Type

Filter Element Series **RTE**

② Group

According to filter housing

③ Filter Material

| Material | Max. Δp*collapse | Micron ratings available | Code |
|--------------------|------------------|--------------------------|----------|
| Inorg. glass fibre | 10 bar / 145 PSI | 3, 5, 10, 25 | G |
| Filter paper | 5 bar / 72.5 PSI | 10, 25 | D |

*Note: Collapse/burst resistance as per ISO 2941
Other materials on request

④ Micron Rating

| | |
|-------|-----------|
| 3 μm | 03 |
| 5 μm | 05 |
| 10 μm | 10 |
| 25 μm | 25 |

Note: Other micron ratings on request

⑤ Sealing Material

NBR (Buna®) **B**
Note: Other sealing materials on request

⑥ Design Code

Only for information **X**



Return-Line Filters ▪ Type RTF-N



D

Product Description

STAUFF RTF-N Return-Line Insert Filters allow for a choice of installation configurations which permits custom reservoir design with an in tank filtering system. The filters are installed semi-immersed or totally immersed into a reservoir. The filtration flow is from inside to the outside of the element which ensures that all the contaminant is collected inside the element itself avoiding contact with the reservoir fluid during element change. The combination of magnetic pre-filtration and high filtration efficiency results in a cost effective and versatile filtration system.

Technical Data
Construction

- Insert filter

Materials

- Flange plate: Aluminium
- Magnet rod: Steel
- Bypass: Steel
- Diffuser: Steel
- Sealings: NBR (Buna-N®)
FKM (Viton®)
Other sealing materials on request

Flow Rating

- Up to 500 l/min / 132 US GPM

Operating Pressure

- Max. 10 bar / 145 PSI

Temperature Range

- -29 °C ...+107 °C / -20 °F ... +225 °F

Filter Elements

- Specifications see page 122

Media Compatibility

- Mineral oils, other fluids on request

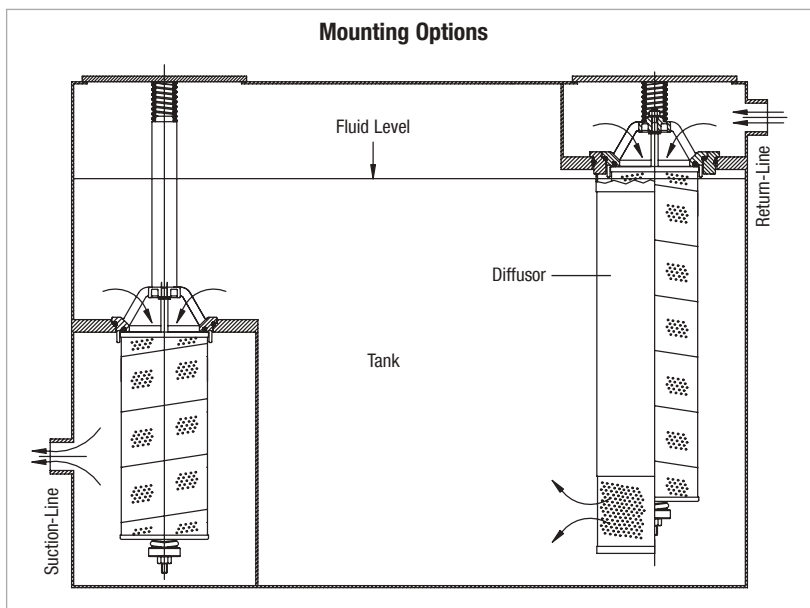
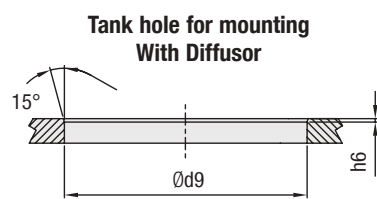
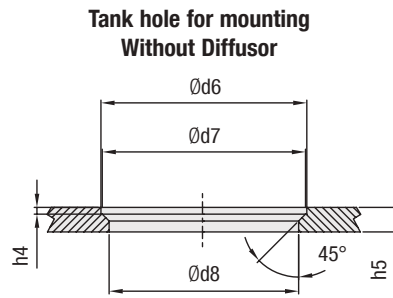
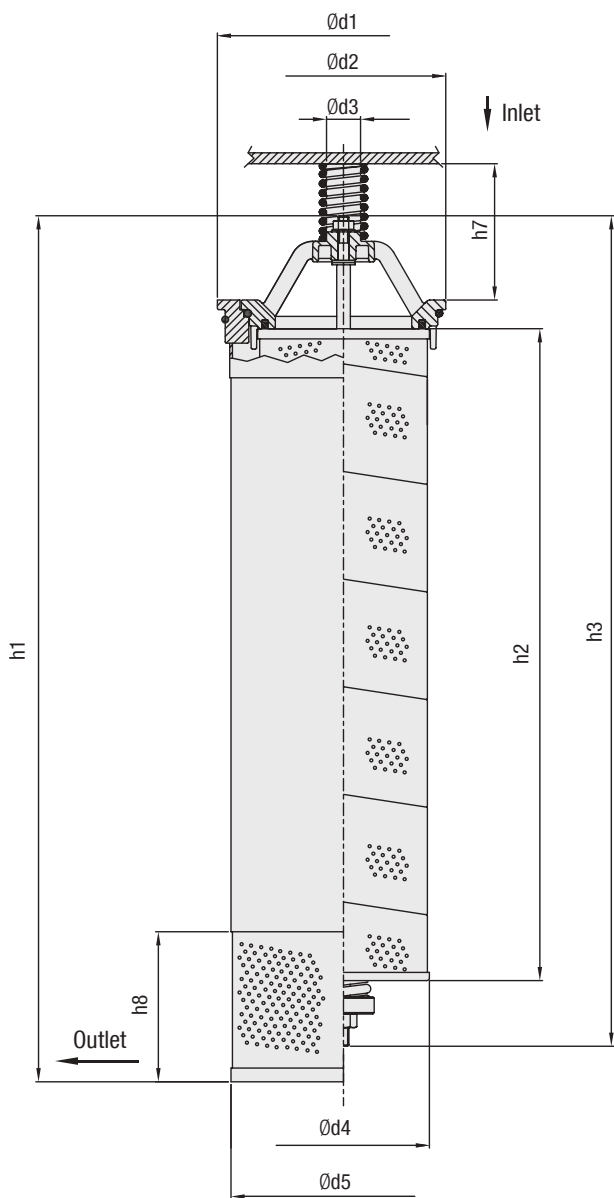
Options and Accessories
Valve

- Bypass valve: Opening pressure 1,5 bar / 22 PSI
(integrated in the filter element) Other settings available on request



Return-Line Filters ■ Type RTF-N

D



Return-Line Filters ▪ Type RTF-N

| Dimensions (mm/in) | Filter Size RTF-N | |
|--------------------|-------------------|-------|
| | 390 | 500 |
| h1 | 445 | 635 |
| | 17.52 | 25.00 |
| h2 | 290 | 478 |
| | 11.42 | 18.82 |
| h3 | 421 | 609 |
| | 16.57 | 23.98 |
| h4 | 5 | 5 |
| | .20 | .20 |
| h5 | 18 | 18 |
| | .71 | .71 |
| h6 | 2,5 | 2,5 |
| | .10 | .10 |
| h7 | 100 | 100 |
| | 3.94 | 3.94 |
| h8 | 110 | 110 |
| | 4.33 | 4.33 |
| d1 | 185 | 185 |
| | 7.28 | 7.28 |
| d2 | 150 | 150 |
| | 5.91 | 5.91 |
| d3 | 25 | 25 |
| | .98 | .98 |
| d4 | 126 | 126 |
| | 4.95 | 4.95 |
| d5 | 165 | 165 |
| | 6.50 | 6.50 |
| d6 | 151 | 151 |
| | 5.94 | 5.94 |
| d7 | 149 | 149 |
| | 5.87 | 5.87 |
| d8 | 139 | 139 |
| | 5.47 | 5.47 |
| d9 | 178 | 178 |
| | 7.01 | 7.01 |

D



Return-Line Filter Housings / Complete Filters ■ Type RTF-N

RTF-N - **500** - **E** - **10** - **B** - **B1.5** - **D** / **X**

① ② ③ ④ ⑤ ⑥ ⑦ ⑧

① Type

Return-Line Insert Filter **RTF-N**

② Group

| Flow | Size |
|------------------------|------------|
| 390 l/min / 103 US GPM | 390 |
| 500 l/min / 132 US GPM | 500 |

Note: Exact flow will depend on the selected filter element.
For technical data please see pages 13 / 124.

③ Filter Material

| Material | Max. Δp^* collapse | Micron ratings available | Code |
|------------------------|----------------------------|--------------------------|----------|
| Without filter element | - | - | 0 |
| Inorg. glass fibre | 10 bar / 145 PSI | 3, 5, 10, 20 | E |
| Filter paper | 10 bar / 145 PSI | 10 | L |

*Note: Collapse/burst resistance as per ISO 2941
Other materials on request

④ Micron Rating

| | |
|------------|-----------|
| 3 μ m | 03 |
| 5 μ m | 05 |
| 10 μ m | 10 |
| 20 μ m | 20 |

Note: Other micron ratings on request

⑤ Sealing Material

NBR (Buna®) **B**
FKM (Viton®) **V**
Note: Other sealing materials on request

⑥ Bypass Setting

1,5 bar / 22 PSI **B1.5**

⑦ Options

Without diffusor **0**
With diffusor **D**

⑧ Design Code

Only for information **X**

Filter Elements ■ Type RA

RA - **500** - **E** - **10** - **B** / **X**

① ② ③ ④ ⑤ ⑥

① Type

Element for Insert Filter **RA**

② Group

According to filter housing

③ Filter Material

| Material | Max. Δp^* collapse | Micron ratings available | Code |
|--------------------|----------------------------|--------------------------|----------|
| Inorg. glass fibre | 10 bar / 145 PSI | 3, 5, 10, 20 | E |
| Filter paper | 10 bar / 145 PSI | 10 | L |

*Note: Collapse/burst resistance as per ISO 2941
Other materials on request

④ Micron Rating

| | |
|------------|-----------|
| 3 μ m | 03 |
| 5 μ m | 05 |
| 10 μ m | 10 |
| 20 μ m | 20 |

Note: Other micron ratings on request

⑤ Sealing Material

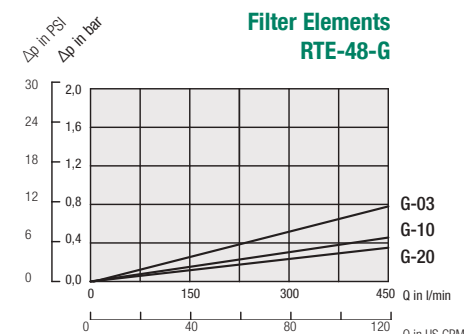
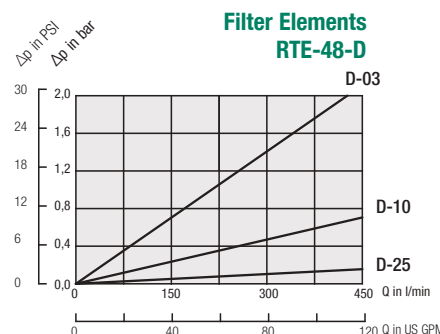
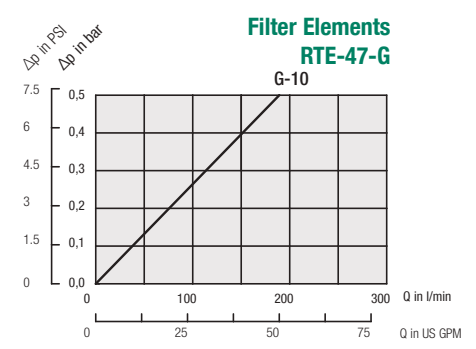
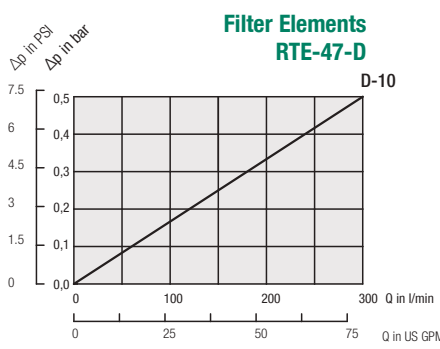
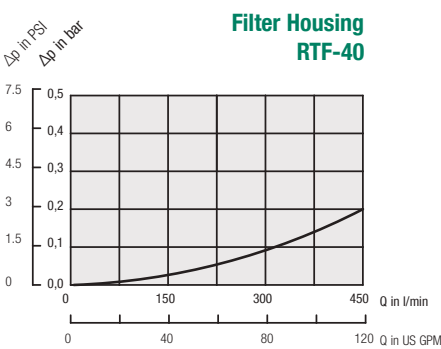
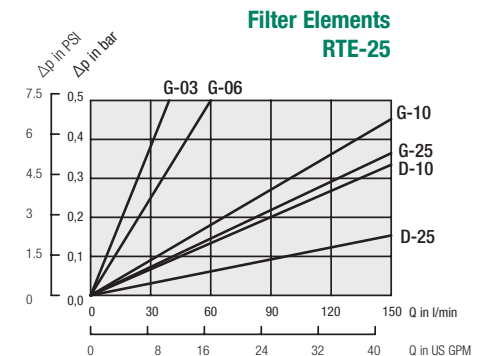
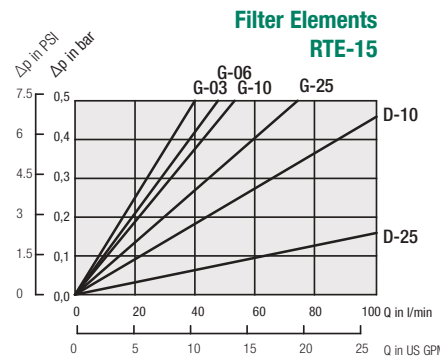
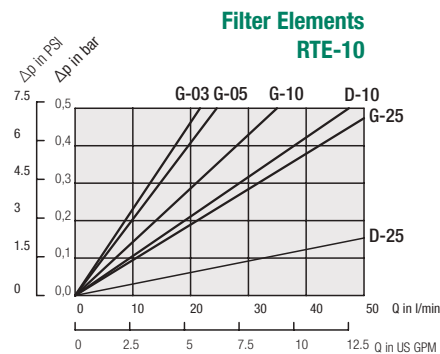
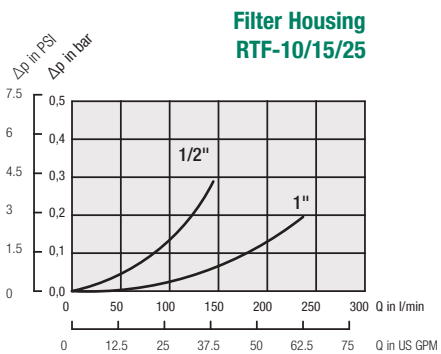
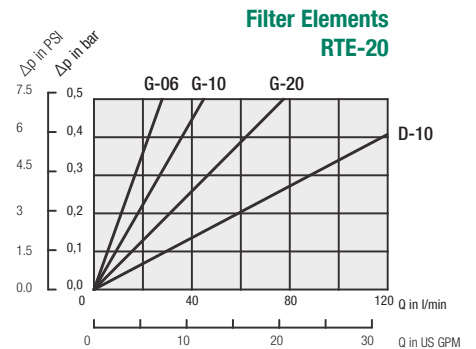
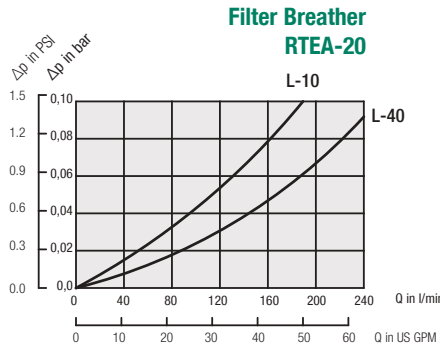
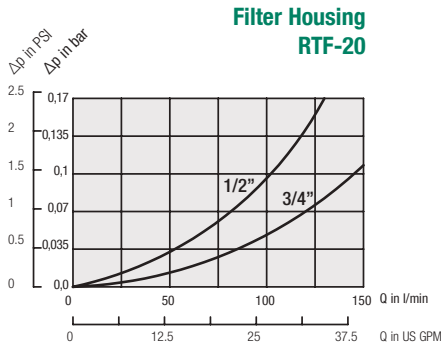
NBR (Buna®) **B**
FKM (Viton®) **V**
Note: Other sealing materials on request

⑥ Design Code

Only for information **X**

Return-Line Filters • Type RTF Flow Characteristics

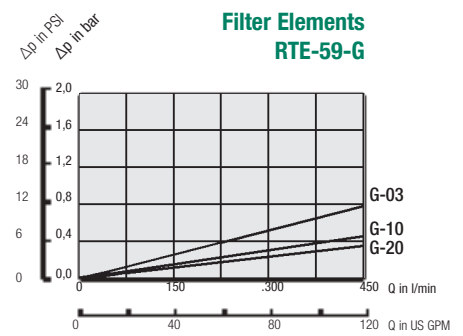
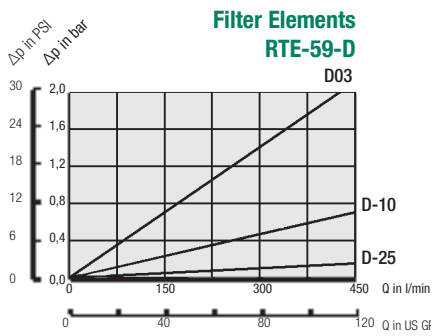
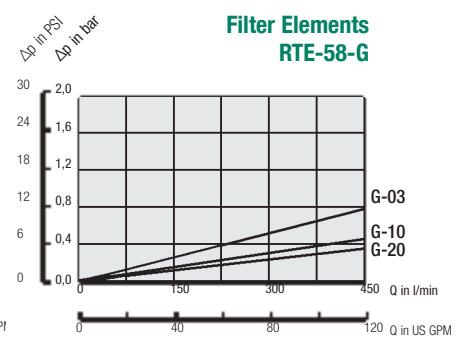
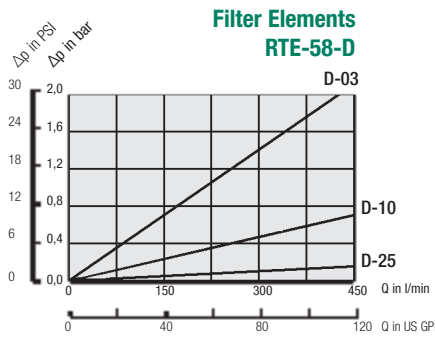
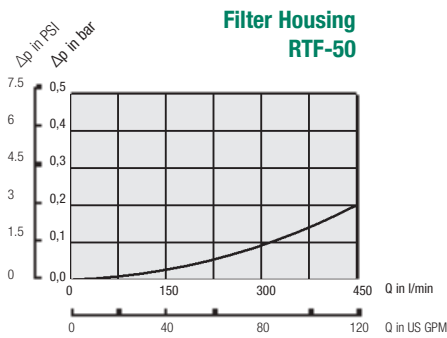
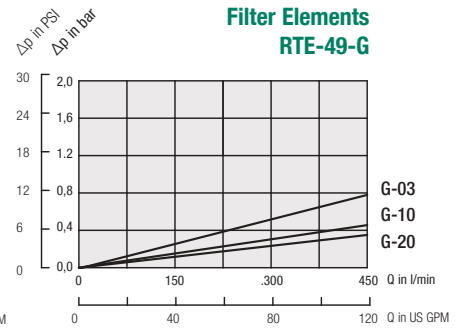
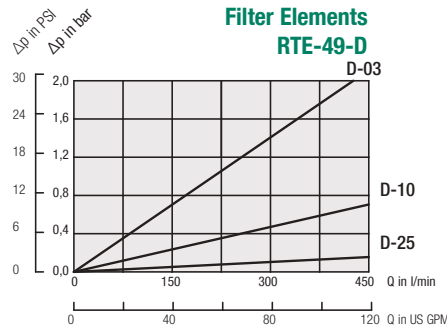
The following characteristics are valid for mineral oils with a density of 0,85 kg/dm³ and the kinematic viscosity of 30 mm²/s (30cSt). The characteristics have been determined in accordance to ISO 3968. Multipass filter ratings have been obtained in accordance to ISO 16889. The housing pressure drop is directly proportional to the oil density. Contact STAUFF for details.



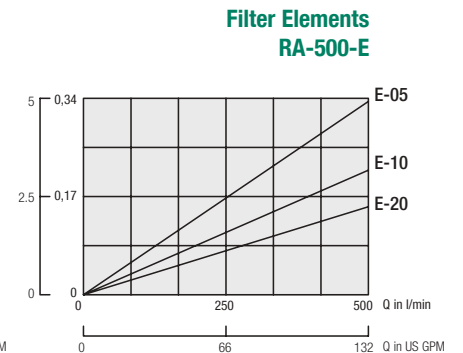
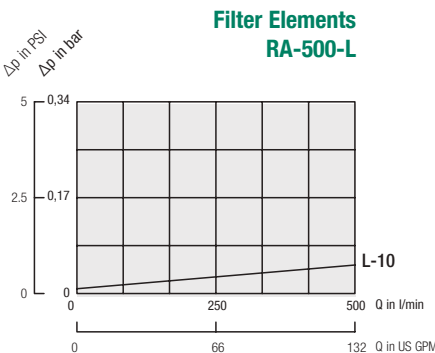
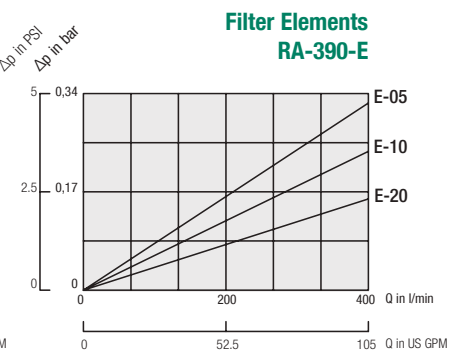
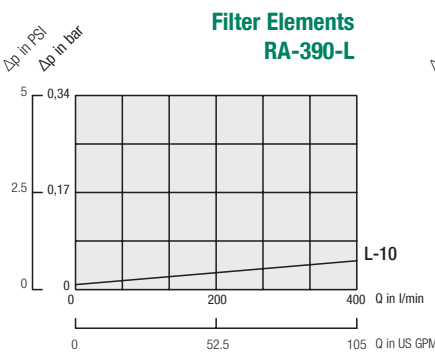
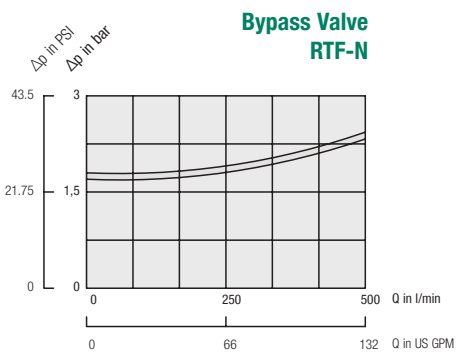
Return-Line Filters ▪ Type RTF Flow Characteristics

The following characteristics are valid for mineral oils with a density of 0,85 kg/dm³ and the kinematic viscosity of 30 mm²/s (30cSt). The characteristics have been determined in accordance to ISO 3968. Multipass filter ratings have been obtained in accordance to ISO 16889. The housing pressure drop is directly proportional to the oil density. Contact STAUFF for details.

D

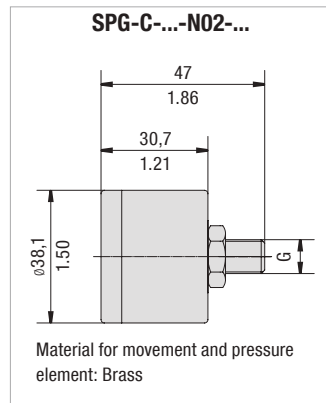
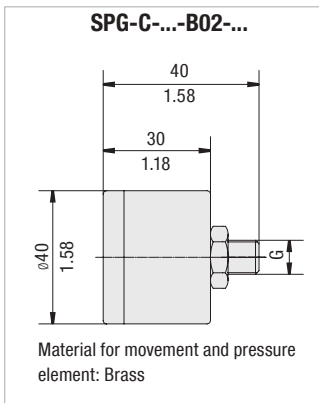


Note: Element pressure drop curves are for "S1" single elements. For "S2" double elements use 50% of the "S1" Value.



RTF Filter Indicators

Visual Indicators



SPG-C-...-B02-..



SPG-C-...-N02-...

| Visual Pressure Clogging Indicators | | | | | | Order Code | |
|-------------------------------------|---------------|----------------|-------------------|---------------------------|-------------|-------------|-----------------------------------|
| Thread Connection G | Unit of scale | Range of scale | Coloured Segments | | | | |
| | | | Green | Yellow | Red | | |
| BSP | 1/8 | bar | 0 ... 2,5 | 0 ... 1,2 | 1,2 ... 1,5 | 1,5 ... 2,5 | SPG-C-040-00002.5-02-P-B02-402923 |
| | 1/8 | bar | 0 ... 4 | 0 ... 2,5 | 2,5 ... 3 | 3 ... 4 | SPG-C-040-00004-02-P-B02-402922 |
| | 1/8 | bar | 0 ... 12 | without coloured segments | | | SPG-C-040-00012-02-P-B02 |
| NPT | 1/8 | PSI | 0 ... 100 | 0 ... 13 | 13 ... 15 | 15 ... 100 | SPG-C-040-00100-03-P-N02-402927 |
| | 1/8 | PSI | 0 ... 100 | 0 ... 21 | 21 ... 25 | 25 ... 100 | SPG-C-040-00100-03-P-N02-402928 |

Electrical Clogging Switch

Order Code

Limit-Switch - G42NO - S - B02 - B1.3

①

②

③

④

⑤

① Type

Limit-Switch

② Connector Type

| | |
|--|--------------|
| Electrical Clogging Switch 42 V, NO | G42NO |
| Electrical Clogging Switch 42 V, NC | G42NC |
| Electrical Clogging Switch 110 V ... 230 V, two-way contact (only for Plug Type W) | G230 |

③ Plug Type

| | |
|--|------------|
| M12 Five-Pin Connector according to IEC 61076-2-101 | M12 |
| AMP-Junior-Timer Plug | A |
| DEUTSCH Plug DT04-2P | D |
| Rubber boot | S |
| 90 degree Polyamide cap (only for Connector Type G230) | W |

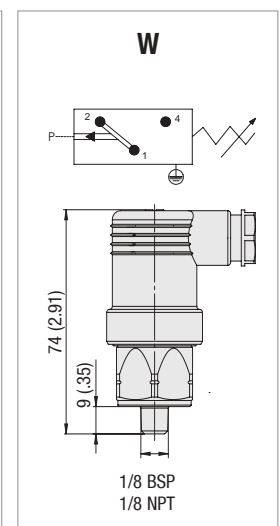
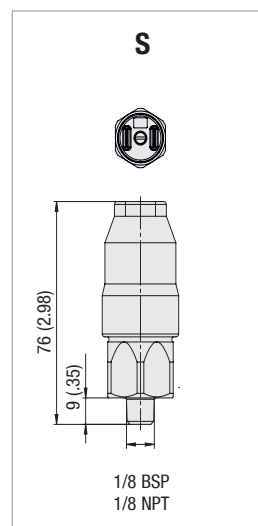
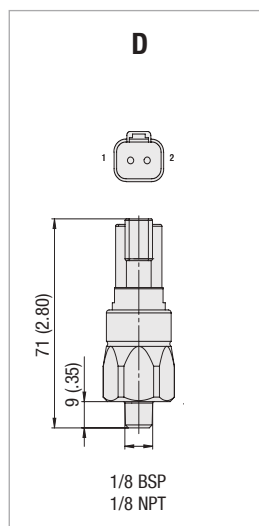
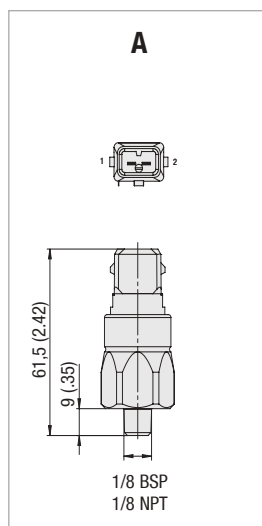
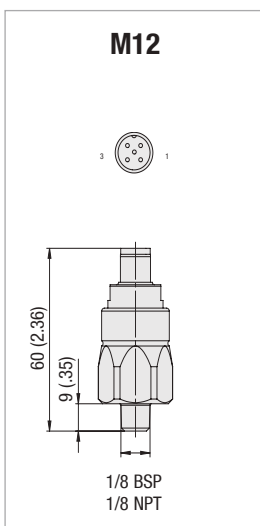
④ Thread Type

| | |
|---------|------------|
| 1/8 BSP | B02 |
| 1/8 NPT | N02 |

⑤ Pressure Setting

| | |
|--------------------|-------------|
| 1,3 bar / 18.8 PSI | B1.3 |
|--------------------|-------------|

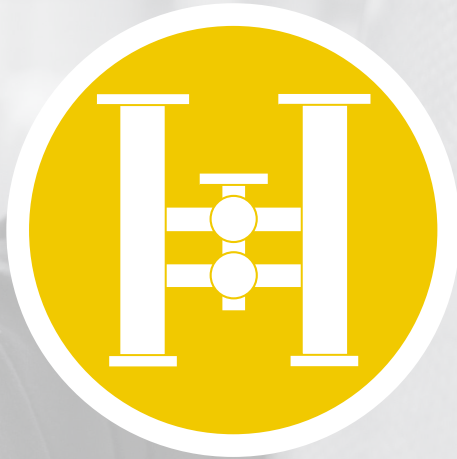
Note: Technical Data for Limit-Switch types please see Page 73.



Note: The customer / user carries the responsibility for the electrical connection.

Dimensional drawings: All dimensions in mm/in.





Overview In-Line Filters 128

SRFL-S / SRFL-D / SRFL-SW



| | | |
|-------------------------------|------------------------|------------------|
| In-Line Filters | SRFL-S / SRFL-D | 129 - 142 |
| Max. 14 bar / 200 PSI | | |
| Max. 7000 l/min / 1850 US GPM | | |

 Technical Data / Dimensions 130 - 139

 Order Code - In-Line Filter 140

 Order Code - Filter Elements 140
Differential Pressure Switch with Visual Gauge Indicator 141
Flow Characteristics 142


| | | |
|--------------------------------|----------------|------------------|
| In-Line Filters | SRFL-SW | 143 - 147 |
| Max. 16 bar / 232 PSI | | |
| Max. 13330 l/min / 3521 US GPM | | |

 Technical Data / Dimensions 144 - 145

 Order Code - In-Line Filter 146

 Order Code - Filter Elements 146
Differential Pressure Switch with Visual Gauge Indicator 147
E


Description

STAUFF In-Line Simplex Filters SRFL-S and Duplex Filters SRFL-D are designed for in-line hydraulic applications. With its compact construction and the easy maintain assembly the SRFL-S and SRFL-D Filters are suitable for flow rates up to 7000 l/min / 1850 US GPM.

The two housings of the Duplex Filter SRFL-D are connected with a special gate valve that is operated with a level or hand wheel. Therefore the filter may be serviced without shutting down the hydraulic system.

The STAUFF In-Line Filter SRFL-SW is designed for installation in water circulations. This filter can be used for cleaning of e.g. industrial water of descaling systems. The filter elements are designed as basket strainers, which keep the dirt during the element change.

Media Compatibility

- Mineral oils, lubrication oils and water, others on request

Options and Accessories

Valves (except REL Filter Elements)

- Bypass valve (integrated in the filter element)

Clogging Indicators

- On request with visual and electrical differential pressure indicator
- The SRFL-SW is also available with an visual-electrical differential pressure indicator



Type SRFL-S

- Version: Simplex
- Operating pressure: max. 14 bar / 200 PSI
- Nominal flow rate: max. 7000 l/min / 1850 US GPM
- Materials: Filter housing: Carbon Steel, Stainless Steel (on request)
- Connections: ANSI, DIN or SAE flange (ISO 6162-1/2)



Type SRFL-SW

- Version: Simplex, suitable for water
Duplex on request
- Operating pressure: max. 16 bar / 232 PSI
- Nominal flow rate: max. 13330 l/min / 3521 US GPM
- Materials: Filter housing: Carbon Steel, Stainless Steel (on request)
- Connections: ANSI or DIN flange



Type SRFL-D

- Version: Duplex
- With switch control for maintenance of the system without stoppage
- Operating pressure: max. 14 bar / 200 PSI
- Nominal flow rate: max. 7000 l/min / 1850 US GPM
- Materials: Filter housing: Carbon Steel, Stainless Steel (on request)
- Connections: ANSI, DIN or SAE flange (ISO 6162-1/2)



In-Line Filters ■ Type SRFL-S / D

Product Description

STAUFF In-Line Simplex Filters SRFL-S and Duplex Filters SRFL-D are designed for in-line hydraulic applications. With its compact construction and the easy maintain assembly the SRFL-S and SRFL-D Filters are suitable for flow rates up to 7000 l/min / 1850 US GPM. The two housings of the Duplex Filter SRFL-D are connected with a special gate valve that is operated with a level or hand wheel. Therefore the filter may be serviced without shutting down the hydraulic system. A high efficiency of contaminant removal is assured by using STAUFF RE series Replacement Filter Elements. The high dirt-hold capacity of STAUFF Elements ensure a long service life and, as a result, reduced maintenance costs.

Technical Data
Construction

- In-line assembly, base mounted

Materials

- Filter housing: Carbon Steel
Stainless Steel (on request)
- Sealings: NBR (Buna-N®)
FKM (Viton®)
Other sealing materials on request

Port Connections

- DIN flange
- ANSI flange
- SAE flange

Operating Pressure

- Max. 14 bar / 200 PSI

Flow Rating

- Up to 7000 l/min / 1850 US GPM

Temperature Range

- -10 °C ... +100 °C / +14 °F ... +212 °F

Filter Elements

- Specifications see page 140

Media Compatibility

- Mineral oils, lubrication oils, other fluids on request

Options and Accessories
Valve

- Bypass valve: Opening pressure 3 bar ± 0,3 bar / 43.5 PSI ± 4.35 PSI
(integrated in the filter element) Other settings available on request

Clogging Indicators

- Differential pressure switch incl. visual indicator, setting 1,6 bar / 23 PSI
Other clogging indicators available on request

| Filter Size | Flow l/min/ US GPM | Flange | | | Filter Element quantity | | Arrangement of filter elements | Page |
|---------------|--------------------------|-------------|----------------|-----------------|-------------------------|------------|--------------------------------------|-----------|
| | | DIN 2501 | ANSI B 16.5 | SAE 3000 PSI | SRFL-S | SRFL-D | | |
| SRFL-S/D-160 | 900/240 | DN 40 | 1-1/2 | 1-1/2 | 1x RE-160 | 2x RE-160 | | 130 / 134 |
| SRFL-S/D-200 | 900/240 | DN 50 | 2 | 2 | 1x RE-200 | 2x RE-200 | | |
| SRFL-S/D-300 | 1400/370 | DN 65 | 2-1/2 | 2-1/2 | 1x RE-300 | 2x RE-300 | | |
| SRFL-S/D-600 | 1400/370 | DN 80 | 3 | 3 | 1x RE-600 | 2x RE-600 | | 132 / 136 |
| SRFL-S/D-1200 | 4000/1050 | DN 100 | 4 | 4 | 2x RE-600 | 4x RE-600 | | |
| SRFL-S/D-1800 | 4000/1050 | DN 125 | 5 | 5 | 3x RE-600 | 6x RE-600 | | |
| SRFL-S/D-2400 | 6000/1580 | DN 150 | 6 | 6 | 4x RE-600 | 8x RE-600 | | 132 / 138 |
| SRFL-S/D-3600 | 7000/1850 | DN 200 | 8 | 8 | 6x RE-600 | 12x RE-600 | | |

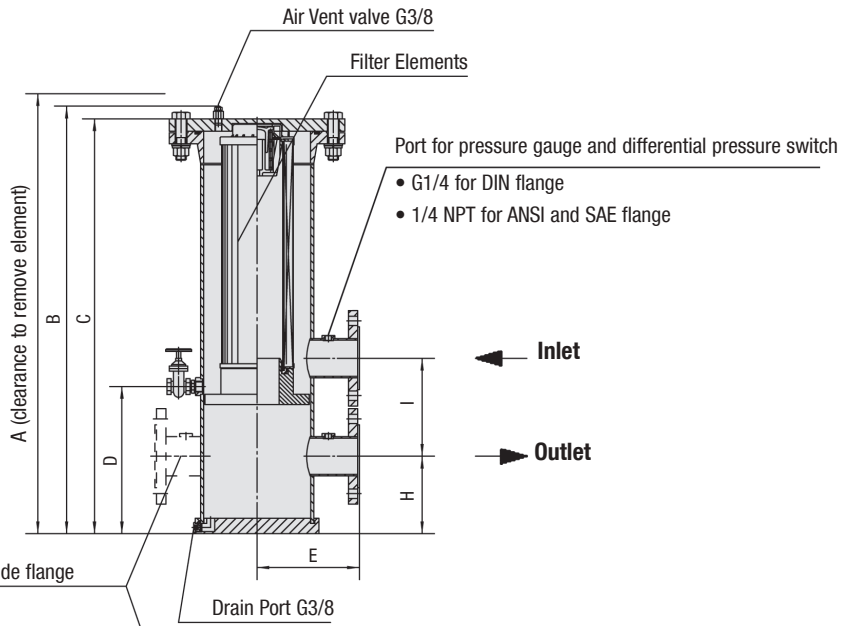
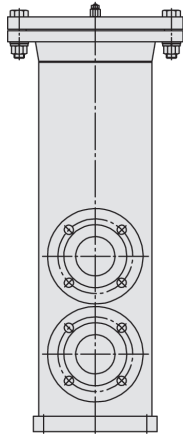
E


In-Line Filters ■ Type SRFL-S-160 / 200 / 300 / 600

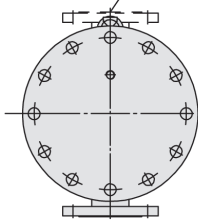
Detail arrangement of filter elements



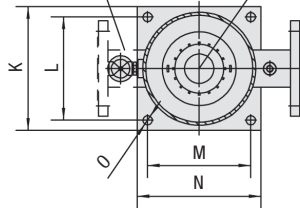
SRFL-S-160 / 200 / 300 / 600



Option: Opposite side flange
see detail

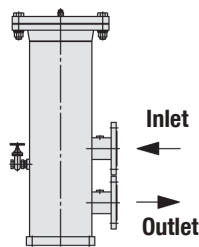


Arrangement of filter elements (see detail above)

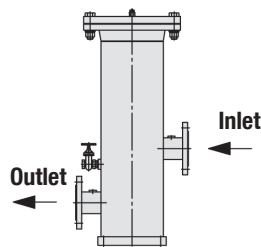


Option: Connection location

S (same side)



O (opposite side)



E



In-Line Filters ■ Type SRFL-S-160 / 200 / 300 / 600

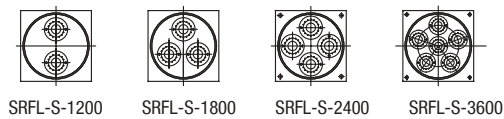
| Flange Connection | Filter Size SRFL-S | | | |
|-------------------|--------------------|-------|-------|-------|
| | 160 | 200 | 300 | 600 |
| DIN | DN 40 | DN 50 | DN 65 | DN 80 |
| ANSI | 1-1/2 | 2 | 2-1/2 | 3 |
| SAE | 1-1/2 | 2 | 2-1/2 | 3 |

| Dimensions (mm/in) | Filter Size SRFL-S | | | |
|----------------------------|--------------------|------------|------------|------------|
| | 160 | 200 | 300 | 600 |
| A | 885,8 | 1045,8 | 1248,7 | 2126,7 |
| | 34.87 | 41.17 | 49.16 | 83.73 |
| B | 607,6 | 688,7 | 828,6 | 1267,6 |
| | 23.92 | 27.12 | 32.63 | 49.91 |
| C | 584 | 664 | 803,9 | 1242,9 |
| | 22.99 | 26.14 | 31.65 | 48.93 |
| D | 214 | 214 | 285 | 285 |
| | 8.43 | 8.43 | 11.22 | 11.22 |
| E | 148 | 148 | 198 | 198 |
| | 5.83 | 5.83 | 7.80 | 7.80 |
| H | 130 | 140 | 150 | 160 |
| | 5.12 | 5.51 | 5.91 | 6.30 |
| I | 155 | 190 | 190 | 220 |
| | 6.10 | 7.48 | 7.48 | 8.66 |
| K | 150 | 150 | 240 | 240 |
| | 5.91 | 5.91 | 9.45 | 9.45 |
| L | 125 | 125 | 200 | 200 |
| | 4.92 | 4.92 | 7.87 | 7.87 |
| M | 125 | 125 | 200 | 200 |
| | 4.92 | 4.92 | 7.87 | 7.87 |
| N | 150 | 150 | 240 | 240 |
| | 5.91 | 5.91 | 9.45 | 9.45 |
| O | 11 | 11 | 18 | 18 |
| | .43 | .43 | .71 | .71 |
| Total Oil Capacity (l/gal) | 6,0 | 7,1 | 22,2 | 37,1 |
| | 1.59 | 1.86 | 5.87 | 9.80 |
| Weight (kg/lbs) | 14,5 | 15,9 | 29 | 34,5 |
| | 32 | 35 | 64 | 76 |
| Filter Elements | Designation | RE-160 ... | RE-200 ... | RE-300 ... |
| | Quantity | 1 x 1 | 1 x 1 | 1 x 1 |

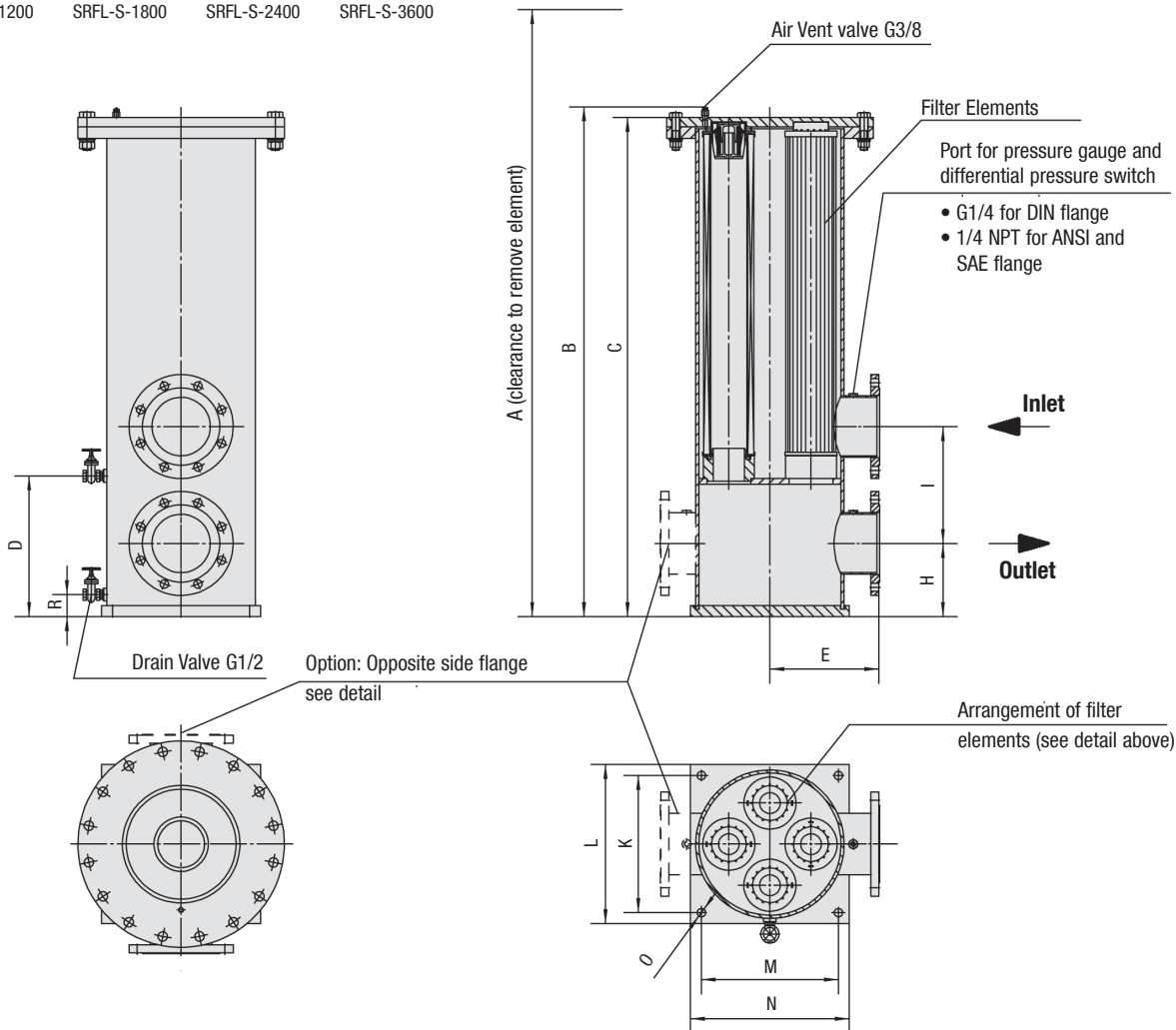
E


In-Line Filters ■ Type SRFL-S-1200 / 1800 / 2400 / 3600

Detail arrangement of filter elements

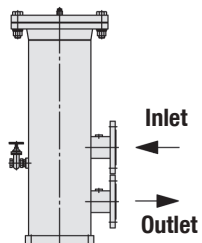


E

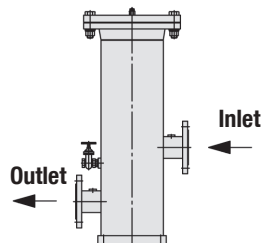


Option: Connection location

S (same side)



O (opposite side)



In-Line Filters ■ Type SRFL-S-1200 / 1800 / 2400 / 3600

| Flange Connection | Filter Size SRFL-S | | | |
|-------------------|--------------------|--------|--------|--------|
| | 1200 | 1800 | 2400 | 3600 |
| DIN | DN 100 | DN 125 | DN 150 | DN 200 |
| ANSI | 4 | 5 | 6 | 8 |
| SAE | 4 | 5 | 6 | 8 |

| Dimensions (mm/in) | Filter Size SRFL-S | | | |
|----------------------------|--------------------|------------|------------|------------|
| | 1200 | 1800 | 2400 | 3600 |
| A | 2176,7 | 2176,7 | 2249,1 | 2249,1 |
| | 85.70 | 85.70 | 88.55 | 88.55 |
| B | 1319,6 | 1323,6 | 1394,8 | 1392,8 |
| | 51.96 | 52.11 | 54.92 | 54.84 |
| C | 1294,6 | 1294,9 | 1366,1 | 1368,1 |
| | 50.98 | 50.98 | 53.78 | 53.86 |
| D | 275 | 275 | 325 | 325 |
| | 10.83 | 10.83 | 12.80 | 12.80 |
| E | 273 | 273 | 298 | 398 |
| | 10.75 | 10.75 | 11.73 | 15.67 |
| H | 190 | 190 | 200 | 252 |
| | 7.48 | 7.48 | 7.87 | 9.92 |
| I | 250 | 280 | 320 | 425 |
| | 9.84 | 11.02 | 12.6 | 16.73 |
| K | 385 | 385 | 435 | 540 |
| | 15.16 | 15.16 | 17.13 | 21.26 |
| L | 325 | 325 | 375 | 480 |
| | 12.80 | 12.80 | 14.76 | 18.90 |
| M | 325 | 325 | 375 | 480 |
| | 12.80 | 12.80 | 14.76 | 18.90 |
| N | 385 | 385 | 435 | 540 |
| | 15.16 | 15.16 | 17.13 | 21.26 |
| O | 23 | 23 | 23 | 23 |
| | .91 | .91 | .91 | .91 |
| R | 60 | 60 | 60 | 60 |
| | 2.36 | 2.36 | 2.36 | 2.36 |
| Total Oil Capacity (l/gal) | 103 | 103 | 149 | 232 |
| | 27.21 | 27.21 | 39.37 | 61.30 |
| Weight (kg/lbs) | 86,2 | 90,7 | 105,2 | 154,2 |
| | 190 | 200 | 232 | 340 |
| Filter Elements | Designation | RE-600 ... | RE-600 ... | RE-600 ... |
| | Quantity | 1 x 2 | 1 x 3 | 1 x 4 |

E

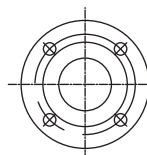

In-Line Filters ■ Type SRFL-D-160 / 200 / 300 / 600

Detail arrangement of filter elements

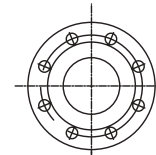


SRFL-D-160 / 200 / 300 / 600

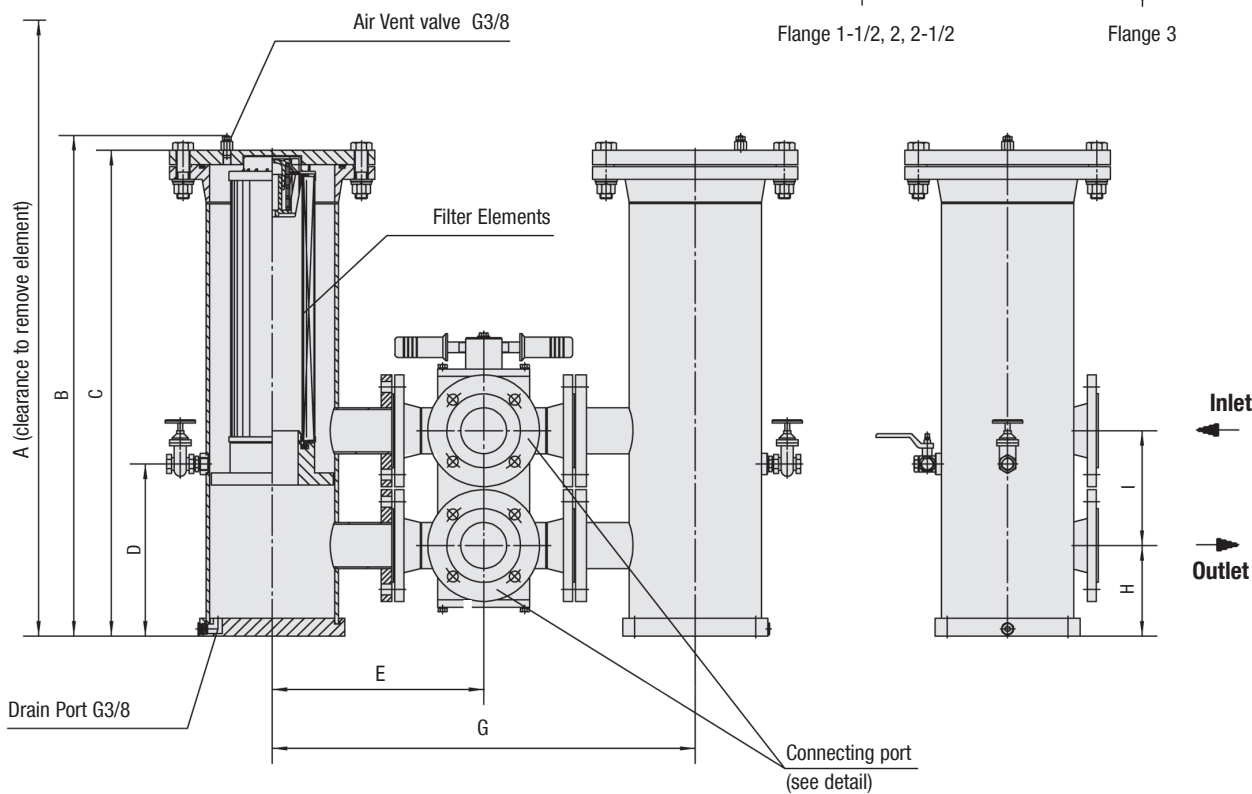
Detail connecting ports



Flange 1-1/2, 2, 2-1/2

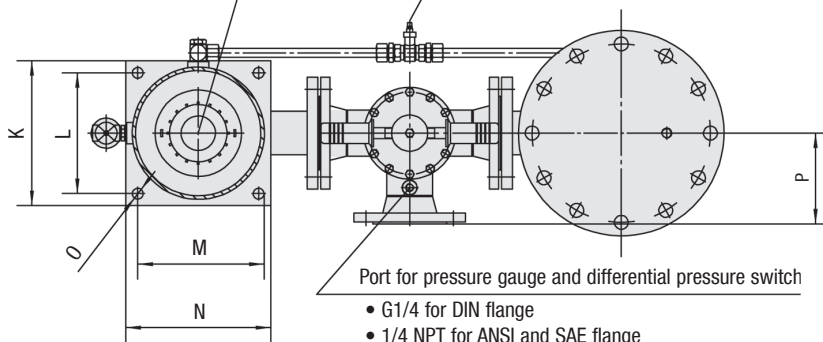


Flange 3



Arrangement of filter elements (see detail above)

Pressure tap
Balance line 1/2"



E



In-Line Filters ■ Type SRFL-D-160 / 200 / 300 / 600

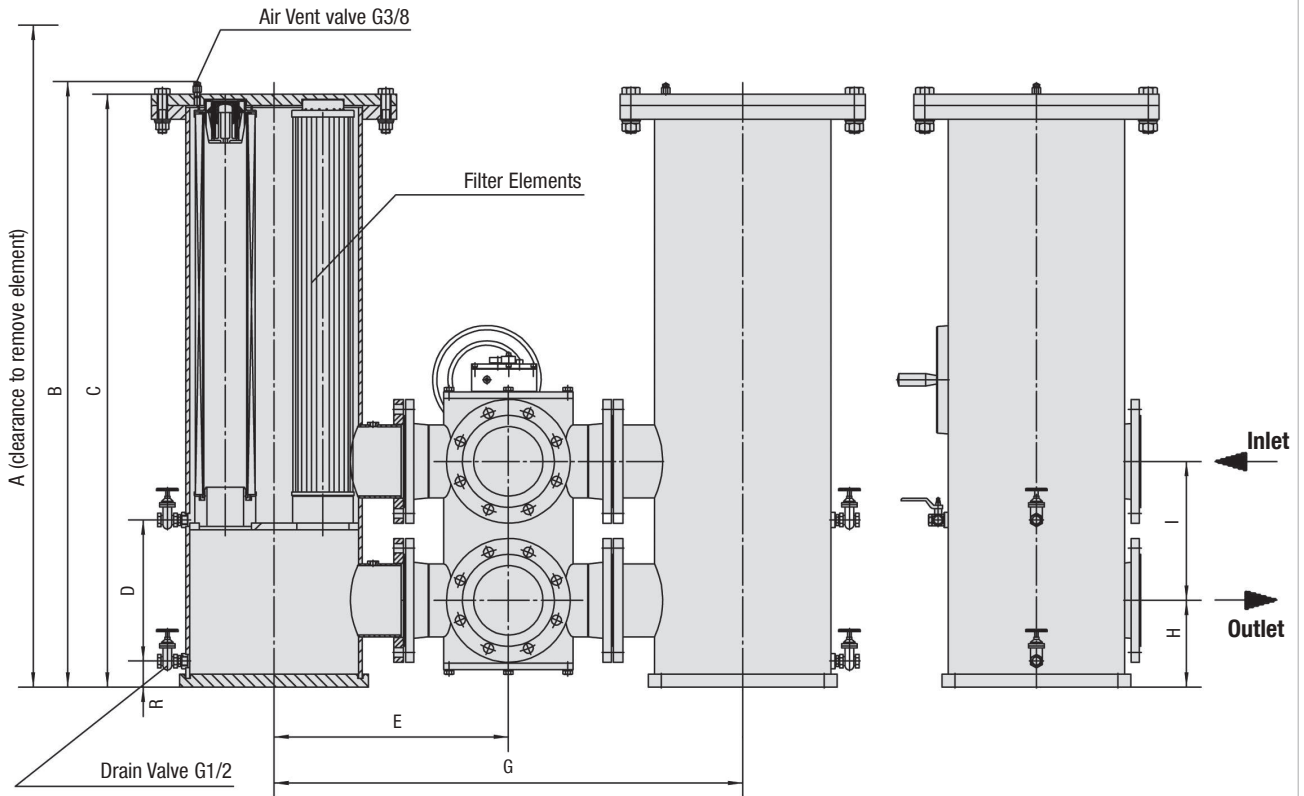
| Flange Connection | Filter Size SRFL-D | | | |
|-------------------|--------------------|-------|-------|-------|
| | 160 | 200 | 300 | 600 |
| DIN | DN 40 | DN 50 | DN 65 | DN 80 |
| ANSI | 1-1/2 | 2 | 2-1/2 | 3 |

| Dimensions (mm/in) | Filter Size SRFL-D | | | | |
|----------------------------|--------------------|------------|------------|------------|------------|
| | 160 | 200 | 300 | 600 | |
| A | 885,8 | 1045,8 | 1248,7 | 2126,7 | |
| | 34.87 | 41.17 | 49.16 | 83.73 | |
| B | 607,6 | 688,7 | 828,6 | 1267,6 | |
| | 23.92 | 27.12 | 32.63 | 49.91 | |
| C | 584 | 642 | 803,9 | 1242,9 | |
| | 22.99 | 25.28 | 31.65 | 48.93 | |
| D | 214 | 214 | 285 | 285 | |
| | 8.43 | 8.43 | 11.22 | 11.22 | |
| E | 260 | 300 | 350 | 375 | |
| | 10.24 | 11.81 | 13.78 | 14.76 | |
| G | 520 | 600 | 700 | 750 | |
| | 20.47 | 23.62 | 27.56 | 29.53 | |
| H | 130 | 140 | 150 | 160 | |
| | 5.12 | 5.51 | 5.91 | 6.30 | |
| I | 155 | 190 | 190 | 220 | |
| | 6.10 | 7.48 | 7.48 | 8.66 | |
| K | 150 | 150 | 240 | 240 | |
| | 5.91 | 5.91 | 9.45 | 9.45 | |
| L | 125 | 125 | 200 | 200 | |
| | 4.92 | 4.92 | 7.87 | 7.87 | |
| M | 125 | 125 | 200 | 200 | |
| | 4.92 | 4.92 | 7.87 | 7.87 | |
| N | 150 | 150 | 240 | 240 | |
| | 5.91 | 5.91 | 9.45 | 9.45 | |
| O | 11 | 11 | 18 | 18 | |
| | .43 | .43 | .71 | .71 | |
| P | 110 | 150 | 150 | 175 | |
| | 4.33 | 5.91 | 5.91 | 6.89 | |
| Total Oil Capacity (l/gal) | 6 | 7,1 | 22,2 | 37,1 | |
| | 1.59 | 1.86 | 5.87 | 9.80 | |
| Weight (kg/lbs) | 43 | 56,7 | 84 | 104 | |
| | 95 | 125 | 185 | 230 | |
| Filter Elements | Designation | RE-160 ... | RE-200 ... | RE-300 ... | RE-600 ... |
| | Quantity | 2 x 1 | 2 x 1 | 2 x 1 | 2 x 1 |

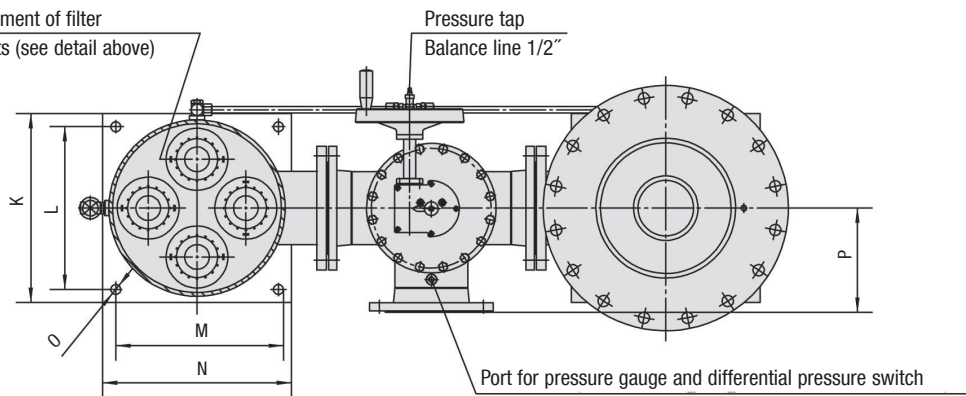
E


In-Line Filters ■ Type SRFL-D-1200 / 1800 / 2400

Detail arrangement of filter elements



Arrangement of filter elements (see detail above)



Port for pressure gauge and differential pressure switch

- G1/4 for DIN flange
- 1/4 NPT for ANSI and SAE flange

E



In-Line Filters ■ Type SRFL-D-1200 / 1800 / 2400

| Flange Connection | Filter Size SRFL-D | | |
|-------------------|--------------------|--------|--------|
| | 1200 | 1800 | 2400 |
| DIN | DN 100 | DN 125 | DN 150 |
| ANSI | 4 | 5 | 6 |

| Dimensions (mm/in) | Filter Size SRFL-D | | |
|----------------------------|--------------------|------------|------------|
| | 1200 | 1800 | 2400 |
| A | 2176,7 | 2176,7 | 2249,1 |
| | 85.70 | 85.70 | 88.55 |
| B | 1319,6 | 1323,6 | 1394,8 |
| | 51.96 | 52.11 | 54.92 |
| C | 1294,9 | 1294,9 | 1366,1 |
| | 50.98 | 50.98 | 53.78 |
| D | 275 | 275 | 325 |
| | 10.83 | 10.83 | 12.80 |
| E | 475 | 500 | 540 |
| | 18.70 | 19.69 | 21.26 |
| G | 950 | 1000 | 1080 |
| | 37.40 | 39.37 | 42.52 |
| H | 190 | 190 | 200 |
| | 7.48 | 7.48 | 7.87 |
| I | 250 | 280 | 320 |
| | 9.84 | 11.02 | 12.60 |
| K | 385 | 385 | 435 |
| | 15.16 | 15.16 | 17.13 |
| L | 325 | 325 | 375 |
| | 12.80 | 12.80 | 14.76 |
| M | 325 | 325 | 375 |
| | 12.80 | 12.80 | 14.76 |
| N | 385 | 385 | 435 |
| | 15.16 | 15.16 | 17.13 |
| O | 23 | 23 | 23 |
| | .91 | .91 | .91 |
| P | 200 | 225 | 240 |
| | 7.87 | 8.86 | 9.45 |
| R | 60 | 60 | 60 |
| | 2.36 | 2.36 | 2.36 |
| Total Oil Capacity (l/gal) | 103 | 103 | 149 |
| | 27.20 | 27.20 | 39.30 |
| Weight (kg/lbs) | 215 | 233 | 263 |
| | 475 | 515 | 580 |
| Filter Elements | Designation | RE-600 ... | RE-600 ... |
| | Quantity | 2 x 2 | 2 x 3 |
| | | | RE-600 ... |
| | | | 2 x 4 |

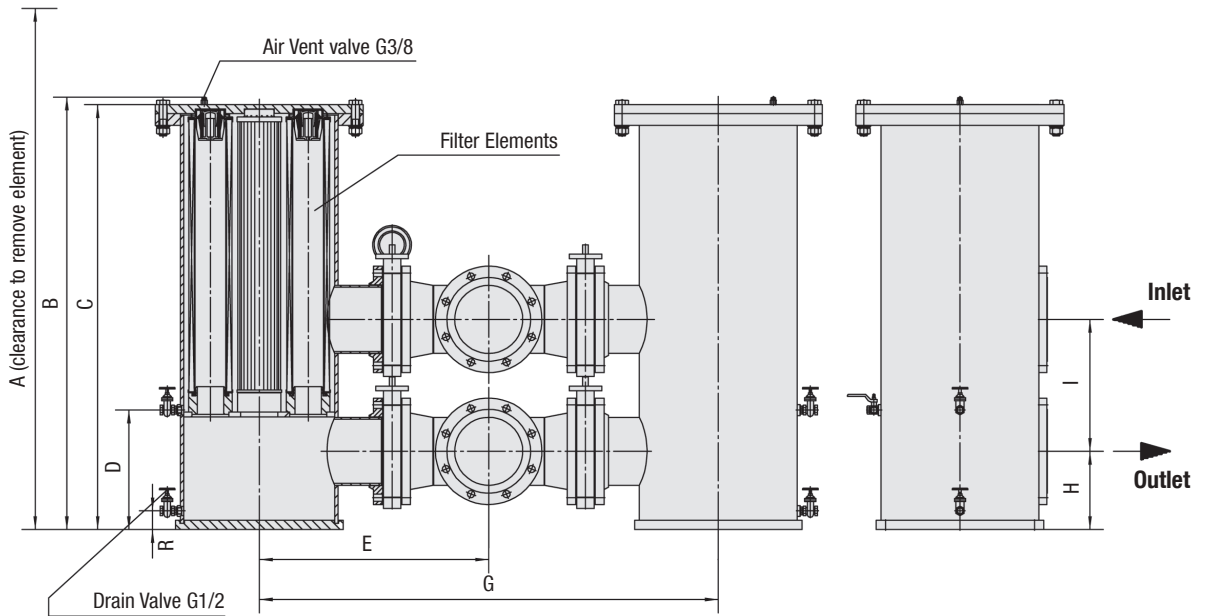
E


In-Line Filters ▪ Type SRFL-D-3600

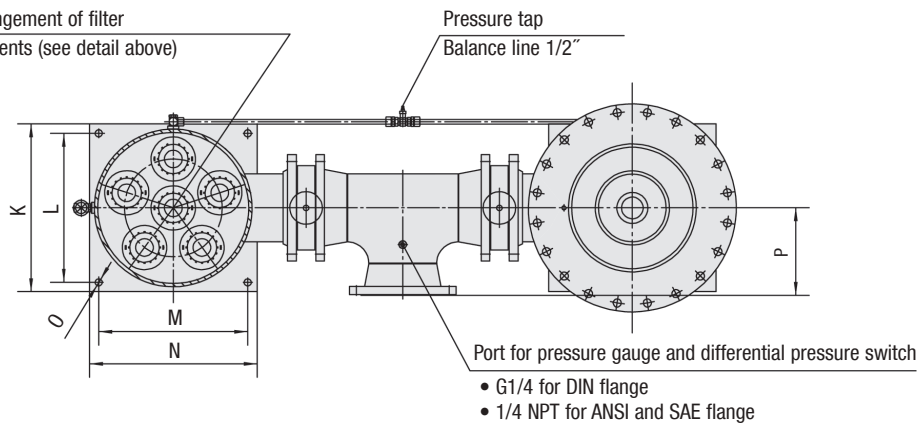
Detail arrangement of filter elements



SRFL-D-3600



Arrangement of filter elements (see detail above)



E



In-Line Filters ▪ Type SRFL-D-3600

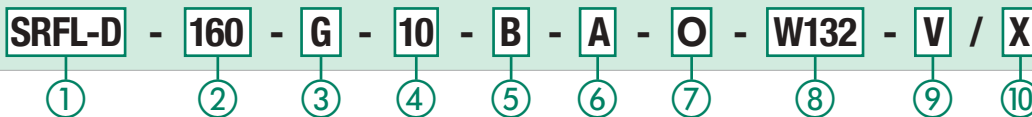
| Flange Connection | Filter Size SRFL-D |
|-------------------|--------------------|
| | 3600 |
| DIN | DN 200 |
| ANSI | 8 |

| Dimensions (mm/in) | Filter Size SRFL-D | |
|----------------------------|--------------------|------------|
| | 3600 | |
| A | 2249,1 88.55 | |
| B | 1392,8 54.84 | |
| C | 1368,1 53.86 | |
| D | 325 12.80 | |
| E | 739 29.11 | |
| G | 1479 58.22 | |
| H | 252 9.92 | |
| I | 425 16.73 | |
| K | 540 21.26 | |
| L | 480 18.90 | |
| M | 480 18.90 | |
| N | 540 21.26 | |
| O | 23 .91 | |
| P | 281,4 11.08 | |
| R | 60 2.36 | |
| Total Oil Capacity (l/gal) | 233 61.3 | |
| Weight (kg/lbs) | 390 860 | |
| Filter Elements | Designation | RE-600 ... |
| | Quantity | 2 x 6 |

E



In-Line Filter Housings / Complete Filters ▪ Type SRFL-S / D



① Type

| | |
|-------------------------|---------------|
| In-Line Simplex Housing | SRFL-S |
| In-Line Duplex Housing | SRFL-D |

② Group

| Flow | Size |
|--------------------------|-------------|
| 900 l/min / 240 US GPM | 160 |
| 900 l/min / 240 US GPM | 200 |
| 1400 l/min / 370 US GPM | 300 |
| 1400 l/min / 370 US GPM | 600 |
| 4000 l/min / 1050 US GPM | 1200 |
| 4000 l/min / 1050 US GPM | 1800 |
| 6000 l/min / 1580 US GPM | 2400 |
| 7000 l/min / 1850 US GPM | 3600 |

③ Filter Material

| Material | Max. Δp*collapse | Micron ratings available | Code |
|------------------------|------------------|--------------------------|----------|
| Without filter element | - | - | O |
| Inorg. glass fibre | 25 bar / 363 PSI | 3, 5, 10, 20 | G |
| Stainless fibre | 30 bar / 435 PSI | | A |
| Filter paper | 10 bar / 145 PSI | 10, 20 | N |
| Stainless mesh | 30 bar / 435 PSI | 25, 50, 100, 200 | S |

* Note: Collapse/burst resistance as per ISO 2941. Other materials on request.

④ Micron Rating

| | |
|--------|------------|
| 3 µm | 03 |
| 5 µm | 05 |
| 10 µm | 10 |
| 20 µm | 20 |
| 25 µm | 25 |
| 50 µm | 50 |
| 100 µm | 100 |
| 200 µm | 200 |

Note: Other micron ratings on request.

⑤ Sealing Material

| | |
|--------------|----------|
| NBR (Buna®) | B |
| FKM (Viton®) | V |

Note: Other sealing materials on request.

⑩ Design Code

| | |
|----------------------|----------|
| Only for information | X |
|----------------------|----------|

⑥ Connection Style

| Connection Style | Group | | | | | | | | Code |
|------------------|-------|-------|-------|-------|--------|--------|--------|--------|----------|
| | 160 | 200 | 300 | 600 | 1200 | 1800 | 2400 | 3600 | |
| DIN Flange | DN 40 | DN 50 | DN 65 | DN 80 | DN 100 | DN 125 | DN 150 | DN 200 | D |
| ANSI Flange | 1-1/2 | 2 | 2-1/2 | 3 | 4 | 5 | 6 | 8 | A |
| SAE Flange | 1-1/2 | 2 | 2-1/2 | 3 | 4 | 5 | - | - | S |

⑦ Connection Location

| | |
|----------------|----------|
| Opposite side* | O |
| Same side | S |

* Note: Not for SRFL-D series

⑧ Housing Material

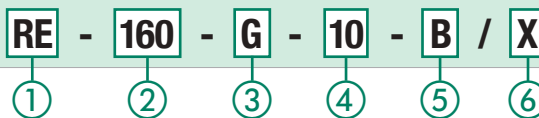
| | |
|-----------------|-------------|
| Carbon Steel | W132 |
| Stainless Steel | W4 |

⑨ Clogging Indicator

| | |
|--|----------|
| Without Clogging Indicator | O |
| Differential Pressure Switch with Visual Gauge Indicator | V |

Note: Other indicators on request.

Filter Elements ▪ Type RE



① Type

| | |
|-----------------------|-----------|
| Filter Element Series | RE |
|-----------------------|-----------|

② Group

| Designation | Filter Element Quantity | | Size |
|-------------|-------------------------|--------|-------------|
| | SRFL-S | SRFL-D | |
| RE-160 | 1x1 | 2x1 | 160 |
| RE-200 | 1x1 | 2x1 | 200 |
| RE-300 | 1x1 | 2x1 | 300 |
| RE-600 | 1x1 | 2x1 | 600 |
| RE-600 | 1x2 | 2x2 | 1200 |
| RE-600 | 1x3 | 2x3 | 1800 |
| RE-600 | 1x4 | 2x4 | 2400 |
| RE-600 | 1x6 | 2x6 | 3600 |

③ Filter Material

| Material | Max. Δp*collapse | Micron ratings available | Code |
|--------------------|------------------|--------------------------|----------|
| Inorg. glass fibre | 25 bar / 363 PSI | 3, 5, 10, 20 | G |
| Stainless fibre | 30 bar / 435 PSI | | A |
| Filter paper | 10 bar / 145 PSI | 10, 20 | N |
| Stainless mesh | 30 bar / 435 PSI | 25, 50, 100, 200 | S |

* Note: Collapse/burst resistance as per ISO 2941. Other materials on request.

④ Micron Rating

| | |
|--------|------------|
| 3 µm | 03 |
| 5 µm | 05 |
| 10 µm | 10 |
| 20 µm | 20 |
| 25 µm | 25 |
| 50 µm | 50 |
| 100 µm | 100 |
| 200 µm | 200 |

Note: Other micron ratings on request.

⑤ Sealing Material

| | |
|--------------|----------|
| NBR (Buna®) | B |
| FKM (Viton®) | V |

Note: Other sealing materials on request

⑥ Design Code

| | |
|----------------------|----------|
| Only for information | X |
|----------------------|----------|



Return-Line Filters ■ Type SRFL-S / D

Differential Pressure Switch with Visual Gauge Indicator

The switch is used to indicate when the elements need to be changed. The switch can turn on a light, shut down the machine or any further function controlled by an electrical signal. The gauge visually indicates the differential pressure across the filter elements.

Diameter

- 100 mm / 3.94 in

Scale

- 0 ... 1,6 kg/cm²

Connection Thread

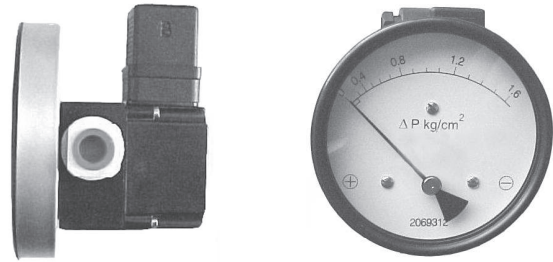
- G1/4

Operating Pressure

- Max. 200 bar / 2900 PSI

Temperature Range

- -20 °C ... +80 °C / -4 °F ... +176 °F


Materials

- Body: Aluminium
- Lens: Glass
- Sealing Material: NBR (Buna-N®)
FKM (Viton®)

Protection Rating

- IP 65: Dust tight and protected against water jets.

Switch Voltage

- Max. 28 V AC/DC

Current On Contact

- Max. 0,25 A

Contact Rating

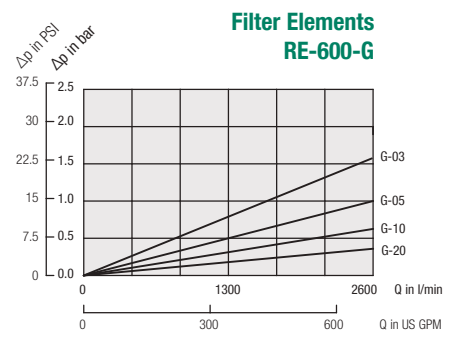
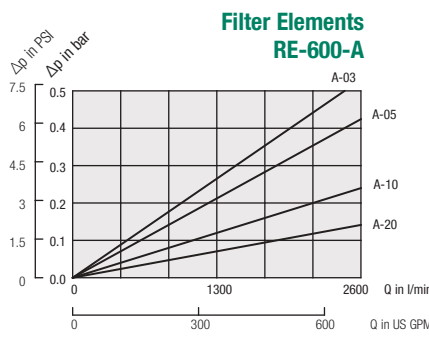
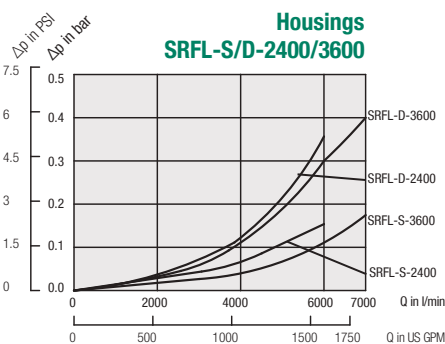
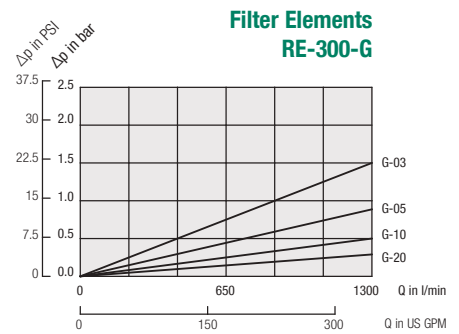
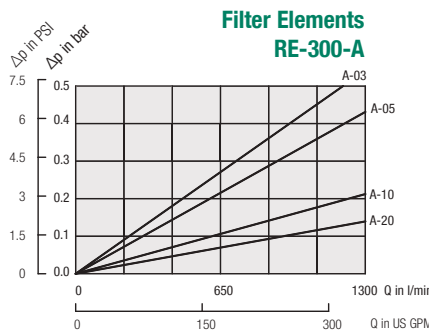
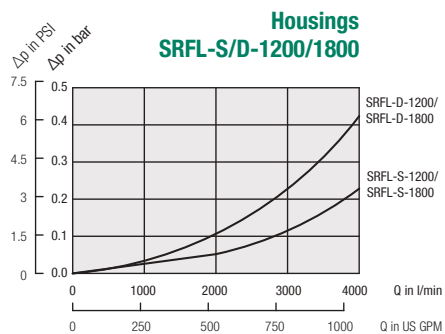
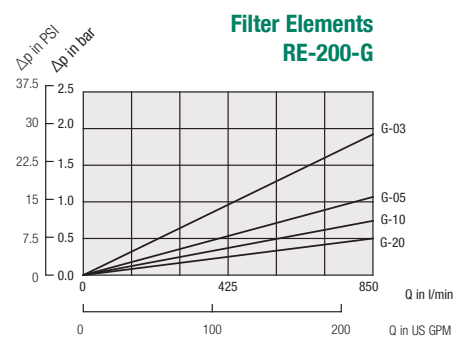
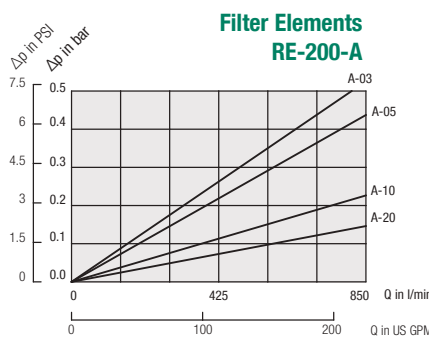
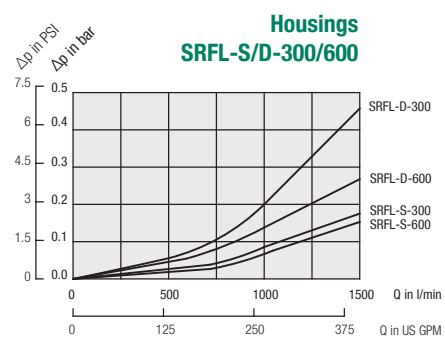
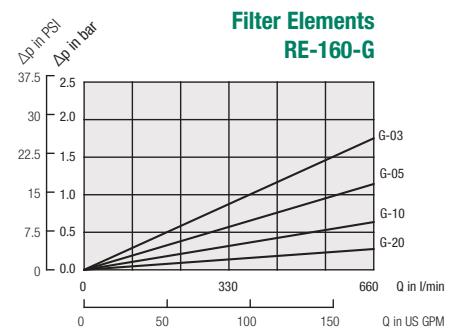
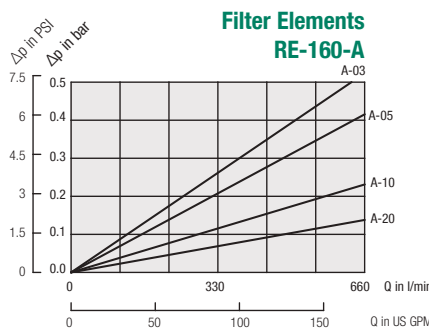
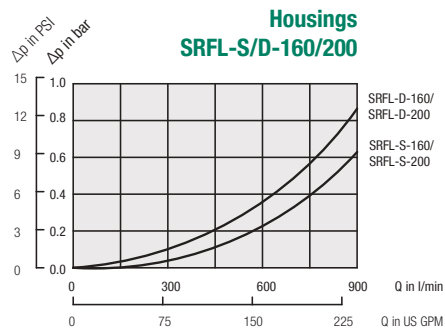
- 5 VA AC/DC



In-Line Filters ■ Type SRFL-S / D Flow Characteristics

The following characteristics are valid for mineral oils with a density of 0,85 kg/dm³ and the kinematic viscosity of 30 mm²/s (30cSt). The characteristics have been determined in accordance to ISO 3968. Multipass filter ratings have been obtained in accordance to ISO 16889. The housing pressure drop is directly proportional to the oil density. Contact STAUFF for details.

E



Pressure drop of housing including filter elements

General: $\Delta p_{total} = \Delta p_{housing} + \Delta p_{Element} \times (\text{operating viscosity [mm}^2\text{/s]} / 30\text{mm}^2\text{/s})$

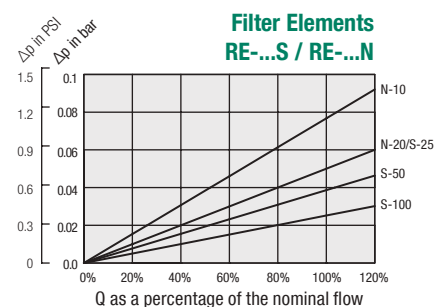
with $\Delta p_{housing}$ = See diagrams above

$\Delta p_{Element}$ = pressure drop of element at a flow Q/n (at a viscosity of 30 mm²/s and n = numbers of elements as listed in ordering code filter elements see page 140 and diagrams above.)

Example

Data given $Q_{max} = 6000$ l/min / 1585 US GPM, SRFL-D-2400 with filter elements RE-600-S-25-B;
operating viscosity = 100 mm²/s
 $Q_{max} = 6000$ l/min; n=4 elements (SRFL-D-2400) $Q/n=1500$ l/min / 396 gal
 $\Delta p_{housing} = 0,35$ bar / 5.07 PSI, $\Delta p_{Element} = 0,03$ bar / 0.44 PSI

Pressure drop: $\Delta p_{total} = 0,35$ bar + 0,03 bar x (100 mm²/s / 30mm²/s)
= 0,45 bar / 6.53 PSI



In-Line Filters ■ Type SRFL-SW

E
Product Description

STAUFF In-Line Filters SRFL-SW are specially developed for direct installation into the pipelines of industrial water cycles. Depending on their size, SRFL-SW filter housings are suitable for nominal flow rates up to 13330 l/min / 3521 US GPM at a maximum operating pressure of 16 bar / 232 PSI. The SRFL-SW have been designed to be used in the steel industry for pre-filtering or coarse filtering in descaling plants. For use with demineralised water we recommend the In-Line Filters SRFL-SW in Stainless Steel. The filter element construction as a Stainless Steel basket screen filter ensures a long service life.

Technical Data
Construction

- Designed for direct installation into pipelines
- Simplex version, Duplex on request

Materials

- Filter housing: Carbon Steel
Stainless Steel (on request)
- Sealing: PTFE / NBR (Buna-N®)
PTFE / FKM (Viton®)

Port Connections

- ANSI or DIN flange

Operating Pressure

- Max. 16 bar / 232 PSI

Flow Rating

- Max. 13330 l/min / 3521 US GPM

Temperature Range

- -10 °C ... +100 °C / +14 °F ... +212 °F

Media Compatibility

- Water
- Coolant
- Others on request

Options and Accessories
Filter Elements

Stainless Steel basket screen filters from STAUFF's REL product line are used as filter elements, which are designed for flow from the inside to the outside. The filter elements are available in micron ratings between 50 µm and 200 µm. Solid particles collected in the basket are prevented from reaching the clean side of the water cycle when being replaced.

Clogging Indicator

- Differential Pressure Gauge
- visual / electrical / visual-electrical (see page 54)

Drain Valve

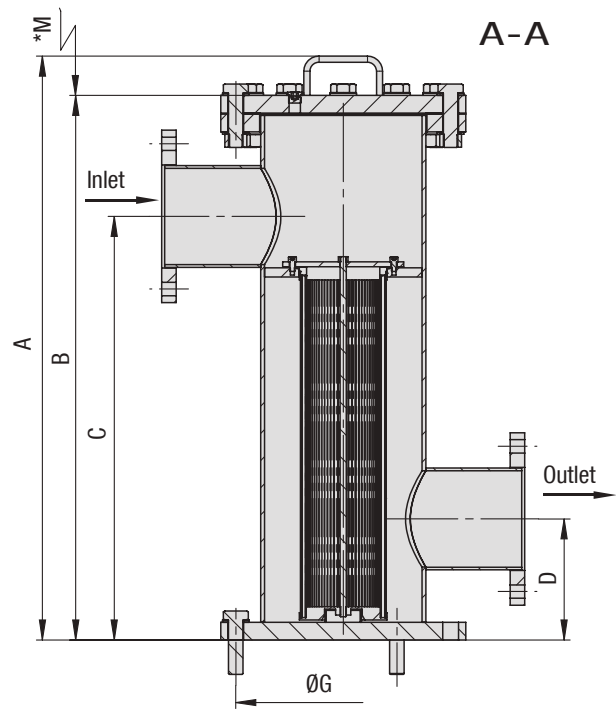
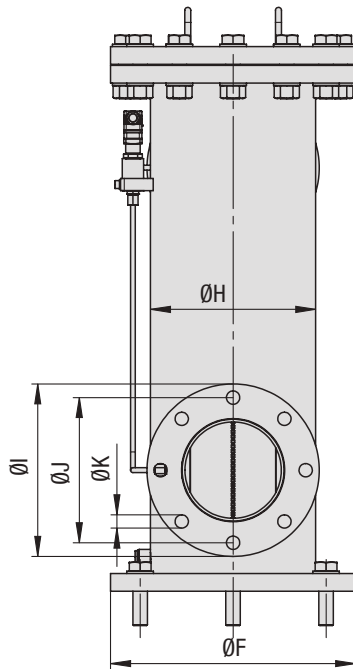
- Available as an option: Integrated into the filter housing



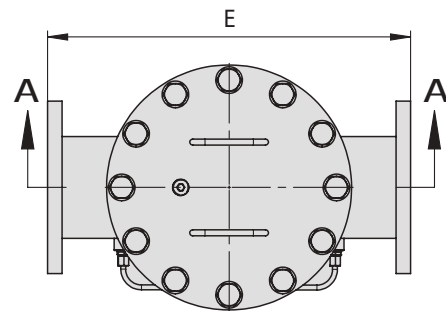
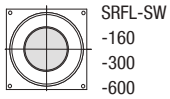
In-Line Filters ■ Type SRFL-SW-160 /-300 /-600

Version with handle

* recommended space for element change



Detail arrangement of filter elements



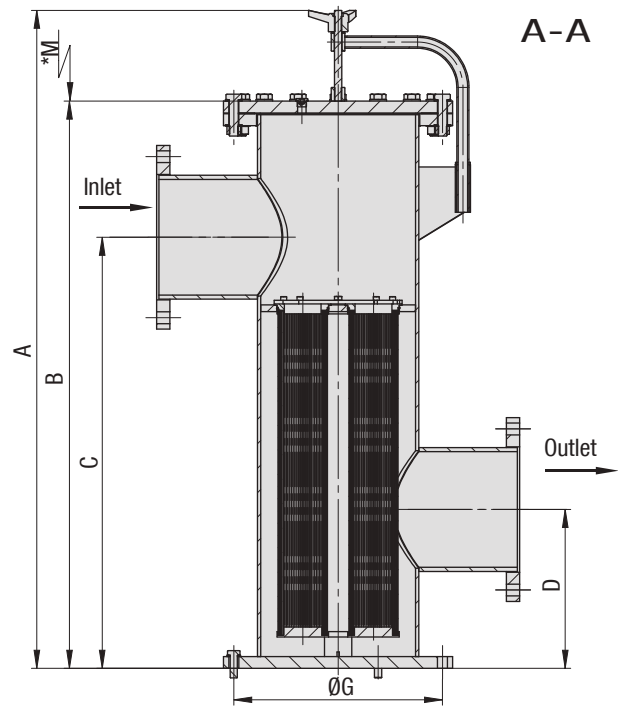
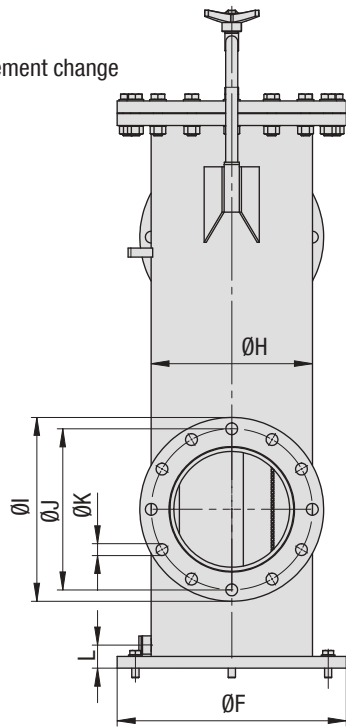
| Flange Connection | Filter Size SRFL-SW | | |
|-------------------|---------------------|-------|-------|
| | 160 | 300 | 600 |
| DIN | DN80 | DN100 | DN150 |
| | DN50 | DN125 | - |
| ANSI | 2 | 4 | 6 |
| | 3 | 5 | - |

| Dimensions (mm/in) | Filter Size SRFL-SW | | |
|-------------------------------|---------------------|---------------|--------------|
| | 160 | 300 | 600 |
| Filter Housing Material | CS/SS | | |
| | CS/SS | CS/SS | CS/SS |
| A | 840 33.07 | 965 38.00 | 965 38.00 |
| B | 775 30.51 | 900 35.43 | 900 35.43 |
| C | 600 23.62 | 700 27.56 | 700 27.56 |
| D | 250 9.84 | 200 7.87 | 200 7.87 |
| E | 440 17.32 | 500 19.69 | 600 23.62 |
| ØF | 340 13.39 | 340 13.39 | 405 15.94 |
| ØG | 295 11.61 | 295 11.61 | 355 13.98 |
| ØH | 219,1 8.63 | 219,1 8.63 | 273 10.75 |
| ØI | 200 7.87 | 220 8.66 | 285 11.22 |
| ØJ | 160 6.30 | 180 7.09 | 240 9.45 |
| ØK | 18 .71 | 18 .71 | 22 .87 |
| M | 400 15.75 | 650 25.60 | 650 25.60 |
| Housing Capacity (l / US GPM) | 26,2 | 31,3 | 52,9 |
| | 6.9 | 8.3 | 14 |
| Filter Elements | Designation | REL-100 | REL-100 |
| | Quantity | 1 | 1 |



In-Line Filters ■ Type SRFL-SW-850 /-1000 /-1250
Version with lifting device

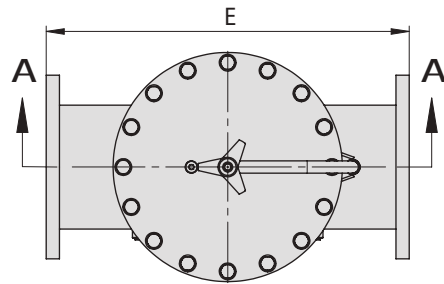
* recommended space for element change


Detail arrangement for filter elements


SRFL-SW-850

SRFL-SW-1000

SRFL-SW-1250

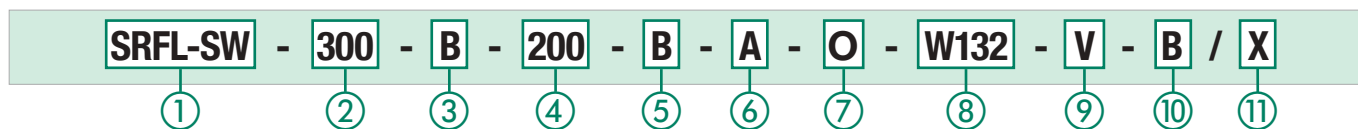


| Flange Connection | Filter Size SRFL-SW | | |
|-------------------|---------------------|-------|-------|
| | 850 | 1000 | 1250 |
| DIN | DN200 DN150 | DN250 | DN300 |
| ANSI | 8 | 10 | 12 |
| | - | - | - |

| Dimensions (mm/in) | Filter Size SRFL-SW | | | | |
|-------------------------------|---------------------|----------------|----------------|----------------|---------------|
| | 850 | | 1000 | | 1250 |
| Filter Housing Material | CS | SS | CS | SS | |
| A | 1154 45.43 | 1150 45.28 | 1442 56.77 | 1450 57.09 | 1950 76.77 |
| B | 962 37.87 | 950 37.40 | 1250 49.21 | 1250 49.21 | 1740 68.50 |
| C | 750 29.53 | 750 29.53 | 950 37.40 | 950 37.40 | 1400 55.12 |
| D | 300 11.81 | 300 11.81 | 350 13.78 | 350 13.78 | 400 15.75 |
| E | 700 27.56 | 700 27.56 | 800 31.50 | 800 31.50 | 1100 43.31 |
| ØF | 520 20.47 | 505 19.88 | 520 20.47 | 505 19.88 | 640 25.20 |
| ØG | 470 18.50 | 460 18.11 | 470 18.50 | 460 18.11 | 585 23.03 |
| ØH | 355,6 14.00 | 355,6 14.00 | 355,6 14.00 | 355,6 14.00 | 508 20.00 |
| ØI | 340 13.39 | 340 13.39 | 405 15.94 | 405 15.94 | 460 18.11 |
| ØJ | 295 11.61 | 295 11.61 | 355 13.98 | 355 13.98 | 410 16.14 |
| ØK | 22 .87 | 22 .87 | 26 1.02 | 26 1.02 | 26 1.02 |
| M | 650 25.59 | 650 25.59 | 850 33.46 | 850 33.46 | 850 33.46 |
| L | 55 2.17 | 51 2.01 | 55 2.17 | 51 2.01 | 82 3.23 |
| Housing Capacity (l / US GPM) | 96,5 25.5 | 96,5 25.5 | 138,6 36.6 | 138,6 36.6 | 392 103.6 |
| Filter Elements | Designation | REL-150 | REL-150 | REL-250 | REL-250 |
| | Quantity | 2 | 2 | 3 | 3 |
| | | | | | 5 |



In-Line Filter Housing / Complete Filters ■ Type SRFL-SW



① Type

In-Line Filter Simplex Water **SRFL-SW**

② Group

| Flow | Size |
|---------------------------|-------------|
| 650 l/min / 160 US GPM | 160 |
| 1200 l/min / 300 US GPM | 300 |
| 2500 l/min / 600 US GPM | 600 |
| 6000 l/min / 1500 US GPM | 850 |
| 8300 l/min / 2000 US GPM | 1000 |
| 13330 l/min / 3300 US GPM | 1250 |

③ Filter Material

| Material | Micron Ratings Available | Code |
|------------------------|--------------------------|----------|
| Without filter element | - | 0 |
| Stainless mesh | 50, 80, 100, 125, 200 | B |

④ Micron Rating

| | |
|--------|------------|
| 50 µm | 50 |
| 80 µm | 80 |
| 100 µm | 100 |
| 125 µm | 125 |
| 200 µm | 200 |

Note: Other micron ratings on request.

⑤ Sealing Material

| | |
|---------------------|----------|
| PTFE / NBR (Buna®) | B |
| PTFE / FKM (Viton®) | V |

Note: Other sealing materials on request.

⑥ Connection Style

| Connection Style | Group | | | | | | Code |
|------------------|-------|-------|-------|-------|-------|-------|-----------|
| | 160 | 300 | 600 | 850 | 1000 | 1250 | |
| DIN flange | DN80 | DN100 | DN150 | DN200 | DN250 | DN300 | D |
| | DN50 | DN125 | - | DN150 | - | - | D1 |
| ANSI flange | 2" | 4" | 6" | 8" | 10" | 12" | A |
| | 3" | 5" | - | - | - | - | A1 |

⑦ Connection Location

| | |
|---------------|----------|
| Opposite side | 0 |
|---------------|----------|

⑧ Housing Material

| | |
|-----------------|-------------|
| Carbon Steel | W132 |
| Stainless Steel | W4 |

⑨ Clogging Indicator

| | |
|-----------------------------|----------|
| Without Clogging Indicator | 0 |
| Differential Pressure Gauge | V |

Note: Other clogging indicators on request.

⑩ Drain Valve

| | |
|------------|----------|
| Closed | 0 |
| Ball Valve | B |

⑪ Design Code

| | |
|----------------------|----------|
| Only for information | X |
|----------------------|----------|

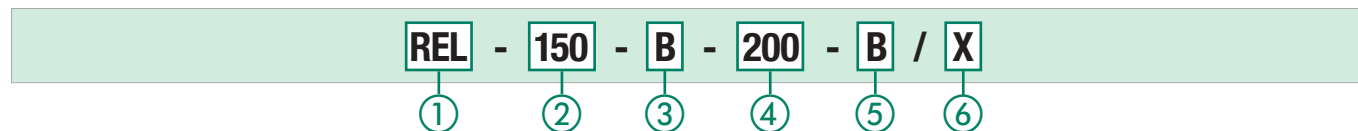
Filter Elements ■ Type REL

Product Description

Stainless Steel basket screen filters from STAUFF's REL product line are used as filter elements, which are designed for flow from the inside to the outside. Micron ratings ranging from 50 µm to 200 µm are available. Solid particles collected in the basket are prevented from reaching the clean side of the water cycle when being replaced. The filter element construction as a Stainless Steel basket screen filter ensures a long service life.



Order Code



① Type

Filter Element Series **REL**

② Group

| Designation | Number of Filter Elements | Size |
|----------------|---------------------------|------|
| REL-100 | 1 | 160 |
| REL-150 | 1 | 300 |
| REL-150 | 1 | 600 |
| REL-150 | 2 | 850 |
| REL-250 | 3 | 1000 |
| REL-250 | 5 | 1250 |

③ Filter Material

| Material | Max. Δp*Collapse | Micron Ratings Available | Code |
|----------------|------------------|--------------------------|----------|
| Stainless mesh | 10 bar / 145 PSI | 50, 80, 100, 125, 200 | B |

④ Micron Rating

| | |
|--------|------------|
| 50 µm | 50 |
| 80 µm | 80 |
| 100 µm | 100 |
| 125 µm | 125 |
| 200 µm | 200 |

⑤ Sealing Material

| | |
|--------------|----------|
| NBR (Buna®) | B |
| FKM (Viton®) | V |

⑥ Design Code

| | |
|----------------------|----------|
| Only for information | X |
|----------------------|----------|



Differential Pressure Gauge

A visual clogging indicator, the function of which is based on the differential pressure between the contaminated and clean side of the filter elements, is available as an option, and enables a convenient determination of the condition of the basket filter.

Nominal Size

- 80 mm / 3.15 in

Range of Scale

- 0 ... 1 bar / 0 ... 14.5 PSI

Operating Pressure

- Max. 100 bar / 1450 PSI

Permissible Temperatures

- Ambient: 0 ... +60 °C / 0 ... +140 °F
- Media: up to +100 °C / +212 °F

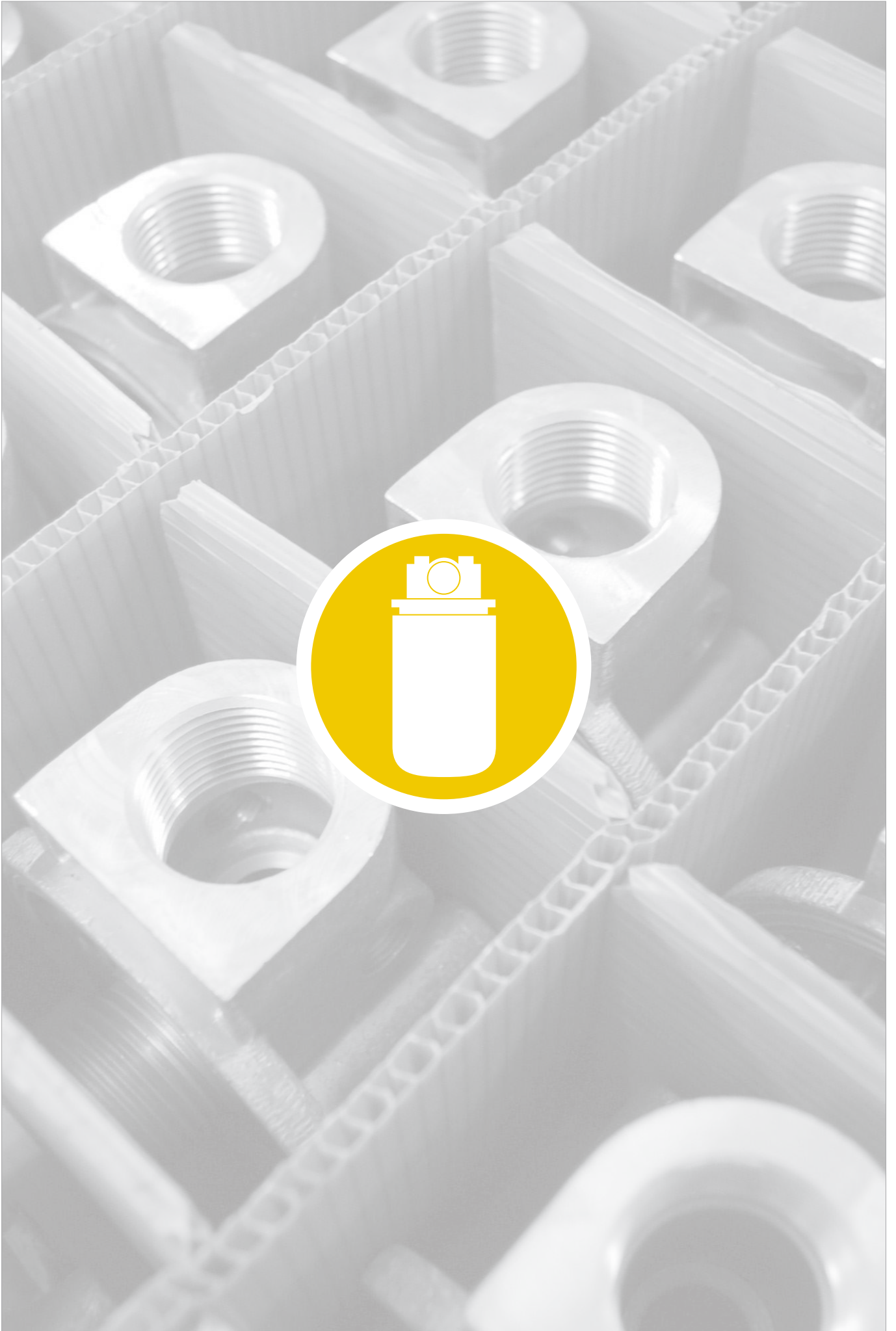
Material



- Housing: Die-cast Aluminium, black
- Sight glass: Acrylic
- Indicator: Aluminium, black

Protection Rating

- IP 54 protection rating: Dust protected and protected against splashing water





| | | | | |
|---|------------------|---|---|------------------|
| Overview Spin-On Filters | 150 | | Tank Top Spin-On Filter Heads | 164 - 167 |
| Quick Reference Guide Spin-On Filter Heads Spin-On Filter Elements | 151 |  | SSFT-12B Max. 7 bar / 100 PSI Max. 75 l/min / 20 US GPM | 164 |
| Spin-On Filter Heads | 152 - 158 |  | SSFT-12 Max. 7 bar / 100 PSI Max. 75 l/min / 20 US GPM | 165 |
|  | 152 |  | SSFT-20B Max. 7 bar / 100 PSI Max. 200 l/min / 53 US GPM | 166 |
|  | 153 |  | SSFT-20 Max. 7 bar / 100 PSI Max. 200 l/min / 53 US GPM | 167 |
|  | 154 | | Spin-On Filter Elements | 168 - 173 |
|  | 155 | | Overview Spin-On Filter Elements | 168 |
|  | 156 |  | SFC-35 / 36 SFCT-35 / 36 | 169 |
|  | 157 |  | SFC-57 / 58 SFCT-57 / 58 | 170 |
|  | 158 |  | SF-63 | 171 |
| Double Spin-On Filter Heads | 159 - 163 |  | SF-65 | 172 |
|  | 159 |  | SF-67 | 173 |
|  | 160 | | Flow Characteristics | 174 - 176 |
|  | 161 | | SFC/SFCT-35 / 36 SFC/SFCT-57 / 58 SF-63 | 174 |
|  | 162 | | SF-65 | 175 |
|  | 163 | | SF-67 | 176 |
| | | | Clogging Indicators | 177 |

F


Description

STAUFF provides a complete range of Spin-On Filters which can be used either as Suction-Line filters or as Return-Line filters for low pressure applications. The various ranges meet international standards.

Material

- Filter head: Aluminium

Media Compatibility

- Mineral oils, others on request

Connections

- BSP
- NPT
- SAE flange
- SAE thread
- Other ports connections on request

Operating Pressure

- Max. 14 bar / 200 PSI

Temperature Range

- -30 °C ... +100 °C / -22 °F ... +212 °F

Nominal Flow Rate

- Max. 460 l/min / 120 US GPM

Options and Accessories

Clogging Indicators

- Visual clogging indicator with coloured segments
- Electrical clogging switch
- Other types are available on request

Private Labelling

- On request, the filter elements can be printed with a private label



Spin-On Filter Heads
designed for in-line assembly



Spin-On Filter Heads
designed for tank top assembly

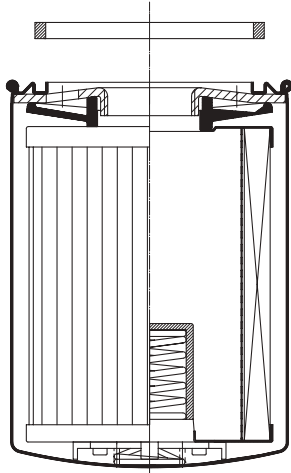


Spin-On Double Filter Heads
designed for in-line assembly



Spin-On Filters ■ Quick Reference Guide

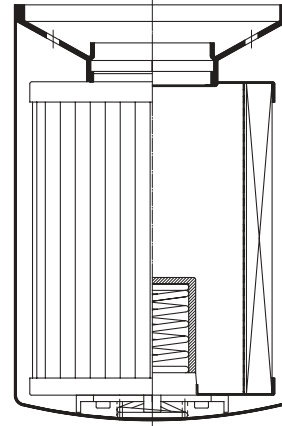
Type A

 Spin-On Filter with seal contour A
for filter elements with inner seal


A

Type B

 Spin-On Filter with seal contour B
for filter elements with outer seal

 Allowed seal types for Spin-On elements
 Thin seal
 Wide seal
 L-shaped seal


B

F

Spin-On Filters Quick Reference Guide

Spin-On Filter Heads

Spin-On Filter Elements (see page ...)

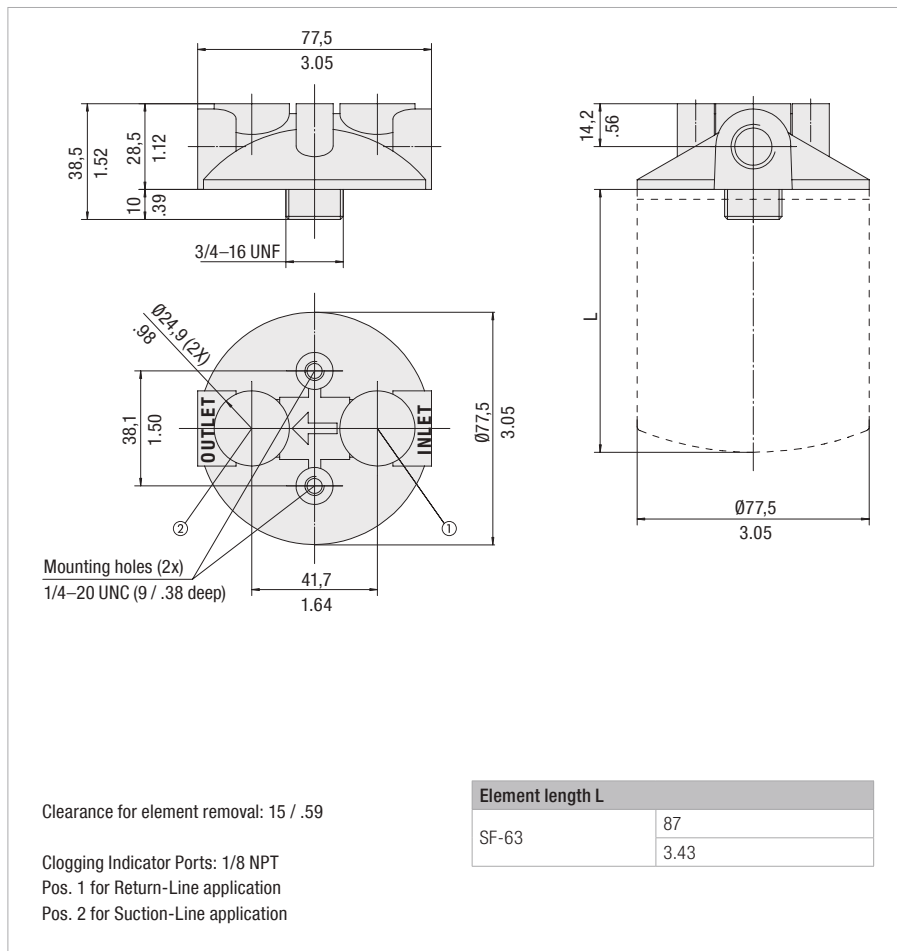
| Series | Size | Port | Spigot | Max. Flow Rate* | | Catalog Page | Seal Contour | | SF-63 | SF-65 | SF-67 | SFC-35 SFC-36 | SFC-57 SFC-58 | SFCT-35 SFCT-36 | SFCT-57 SFCT-58 |
|--------|------|-------------------------------|----------------------|-----------------|--------|--------------|--------------|--------|-------|-------|-------|------------------|------------------|--------------------|--------------------|
| | | | | l/min | US GPM | | Type A | Type B | | | | | | | |
| SLF | 02 | 1/4 NPT | 3/4-16 UNF | 19 | 5 | 152 | x | | 171 | | | | | | |
| SLF | 03 | 3/8 NPT | 3/4-16 UNF | 19 | 5 | 152 | x | | 171 | | | | | | |
| SLF | 04 | 9/16-18 UN | 3/4-16 UNF | 26 | 7 | 152 | x | | 171 | | | | | | |
| SAF | 05 | 1/2 NPT | 1-12 UNF | 57 | 15 | 153 | x | | | 172 | | | | | |
| SAF | 06 | 3/4-16 UN | 1-12 UNF | 57 | 15 | 153 | x | | | 172 | | | | | |
| SAF | 07 | 3/4 NPT | 1-12 UNF | 90 | 25 | 153 | x | | | 172 | | | | | |
| SAF | 11 | 1-1/16-12 UN | 1-12 UNF | 90 | 25 | 153 | x | | | 172 | | | | | |
| SAF | 10 | 1 NPT | 1-12 UNF | 128 | 34 | 154 | x | | | 172 | | | | | |
| SAF | 13 | 1-5/16-12 UN | 1-12 UNF | 128 | 34 | 154 | x | | | 172 | | | | | |
| SSF | 12 | G3/4 | G3/4 | 90 | 25 | 155 | x | | | | | 169 | | | |
| SSF | 20L | G1-1/4 | G1-1/4 + 1-1/2-16 UN | 225 | 60 | 156 | x | x | | | 173 | | 170 | | |
| SSF | 100 | 1 NPT | G1-1/4 + 1-1/2-16 UN | 170 | 45 | 157 | x | x | | | 173 | | 170 | | |
| SSF | 120L | 1-1/4 NPT | G1-1/4 + 1-1/2-16 UN | 225 | 60 | 157 | x | x | | | 173 | | 170 | | |
| SSF | 120 | 1-1/4 NPT | G1-1/4 + 1-1/2-16 UN | 225 | 60 | 157 | x | x | | | 173 | | 170 | | |
| SSF | 130 | 1-5/16-12 UN | G1-1/4 + 1-1/2-16 UN | 225 | 60 | 157 | x | x | | | 173 | | 170 | | |
| SSF | 160 | 1-5/8-12 UN | G1-1/4 + 1-1/2-16 UN | 225 | 60 | 157 | x | x | | | 173 | | 170 | | |
| SSF | 150 | 1-1/2 NPT | 1-1/2-16 UN | 300 | 80 | 158 | | x | | | 173 | | | | |
| SSF | 180 | 1-7/8-12 UN | 1-1/2-16 UN | 300 | 80 | 158 | | x | | | 173 | | | | |
| SSF | 24B | G1-1/2 | G1-1/4 + 1-1/2-16 UN | 454 | 120 | 159 | x | x | | | 173 | | 170 | | |
| SSF | 24N | 1-1/2 NPT | G1-1/4 + 1-1/2-16 UN | 454 | 120 | 160 | x | x | | | 173 | | 170 | | |
| SSF | 24S | 1-7/8-12 UN | G1-1/4 + 1-1/2-16 UN | 454 | 120 | 160 | x | x | | | 173 | | 170 | | |
| SSF | 25B | G1-1/2 | G1-1/4 | 454 | 120 | 161 | x | x | | | 173 | | 170 | | |
| SSF | 25FM | 1-1/2 SAE Flange | 1-1/2-16 UN | 454 | 120 | 162 | x | x | | | 173 | | 170 | | |
| SSF | 25 | 1-1/2 NPT and 2 SAE Flange | G1-1/4 + 1-1/2-16 UN | 454 | 120 | 163 | x | x | | | 173 | | 170 | | |
| SSFT | 12B | G3/4 | G3/4 | 75 | 20 | 164 | x | x | | | | | | 169 | |
| SSFT | 12 | 3/4 NPT | G3/4 | 75 | 20 | 165 | x | x | | | | | | 169 | |
| SSFT | 20B | G1-1/2 | G1-1/4 + 1-1/2-16 UN | 200 | 53 | 166 | x | | | | | | | | 170 |
| SSFT | 20 | 1-1/2 NPT | G1-1/4 + 1-1/2-16 UN | 200 | 53 | 167 | x | | | | | | | | 170 |

* Note: Reflects nominal flow rate for Return-Line application. Actual flow rate will depend on selected element and the viscosity of the fluid.



Spin-On Filter Heads ■ SLF-02 / 03 / 04

Dimensions



| Element length L | |
|------------------|------|
| SF-63 | 87 |
| | 3.43 |

Dimensions in mm / in

Technical Data

Construction

- In-line Spin-On filter head

Material

- Aluminium

Port Connections

- NPT
- SAE O-ring thread

Flow Rate

- 26 l/min / 7 US GPM for Return-Line application
- 7 l/min / 2 US GPM for Suction-Line application

Operating Pressure

- Max. 14 bar / 200 PSI
- Max. 5,5 bar / 80 PSI differential pressure (for any application without bypass valve)

Temperature Range

- -30 °C ... +100 °C / -22 °F ... +212 °F

Media Compatibility

- Mineral oils, other fluids on request

Options and Accessories



Filter Elements

- For use with SF-63 series elements
- For element types with seal contour type A
- For element types and flow characteristics see page 174
- The element is not part of the scope of delivery

Order Code

SLF - 02 - 0
1 2 3

① Type

Spin-On Filter Head SLF

② Connection Style

| Connection | Thread | Code |
|------------|---------|------|
| NPT | 1/4 | 02 |
| NPT | 3/8 | 03 |
| SAE | 9/16-18 | 04 |

③ Clogging Indicator Port Options

No clogging indicator port 0
 Special 9

Note: Standard clogging indicator port is 1/8 NPT.



Spin-On Filter Heads ■ SAF-05 / 06 / 07 / 11
Dimensions

44
1.75
22
.87
15
.6
1-12 UNF

38,1
1.50

95
3.75
76
3
2
1
2
1

Mounting holes (2x)
1/4-20 UNC (17 / .70 deep)

L1
L2

Ø93,2
3.67

Clearance for element removal: 19 / .75

Clogging Indicator Ports: 1/8 NPT
Pos. 1 for Return-Line application
Pos. 2 for Suction-Line application

| Element length L | |
|-------------------------|------|
| L1 SF-65 short elements | 147 |
| | 5.76 |
| L2 SF-65 long elements | 204 |
| | 8 |

Dimensions in mm / in


Technical Data
Construction

- In-line Spin-On filter head

Material

- Aluminium

Port Connections

- NPT
- SAE O-ring thread

Flow Rate

- 90 l/min / 25 US GPM for Return-Line application
- 23 l/min / 6 US GPM for Suction-Line application

Operating Pressure

- Max. 14 bar / 200 PSI
- Max. 5,5 bar / 80 PSI differential pressure (for any application without bypass valve)

Temperature Range

- -30 °C ... +100 °C / -22 °F ... +212 °F

Media Compatibility

- Mineral oils, other fluids on request

Order Code

SAF -
 07 -
 B1.7 -
 O

1
 2
 3
 4

① Type

Spin-On Filter Head **SAF**

② Connection Style

| Connection | Thread | Code |
|------------|-----------|-----------|
| NPT | 1/2 | 05 |
| SAE | 3/4-16 | 06 |
| NPT | 3/4 | 07 |
| SAE | 1-1/16-12 | 11 |

③ Bypass Options

| | |
|------------------|--------------|
| No bypass | 0 |
| 0,2 bar / 3 PSI | B0.2 |
| 0,35 bar / 5 PSI | B0.35 |
| 1 bar / 15 PSI | B1.0 |
| 1,7 bar / 25 PSI | B1.7 |

④ Clogging Indicator Port Options

| | |
|--|----------|
| No clogging indicator port | 0 |
| Clogging indicator port drilled for Return-Line application | 1 |
| Clogging indicator port drilled for Suction-Line application | 2 |
| All clogging indicator ports drilled | 4 |
| Special | 9 |

Note: Standard clogging indicator port is 1/8 NPT.


Filter Elements

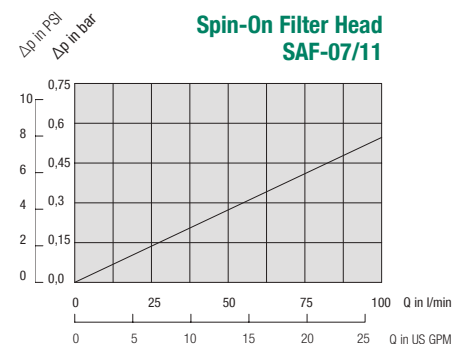
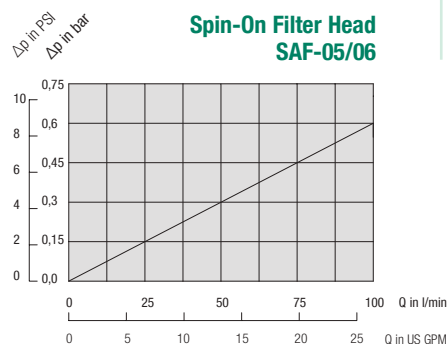
- For use with SF-65 series elements
- For element types with seal contour type A
- For element types and flow characteristics see page 175
- The element is not part of the scope of delivery

Valve

- Bypass valve (integrated in the head): Optional

Clogging Indicators

- For clogging indicator types see page 177



Spin-On Filter Heads ■ SAF-10 / 13



Technical Data

Construction

- In-line Spin-On filter head

Material

- Aluminium

Port Connections

- NPT
- SAE O-ring thread

Flow Rate

- 128 l/min / 34 US GPM for Return-Line application
- 30 l/min / 8 US GPM for Suction-Line application

Operating Pressure

- Max. 14 bar / 200 PSI
- Max. 5,5 bar / 80 PSI differential pressure (for any applicaton without bypass valve)

Temperature Range

- -30 °C ... +100 °C / -22 °F ... +212 °F

Media Compatibility

- Mineral oils, other fluids on request

Options and Accessories



Filter Elements

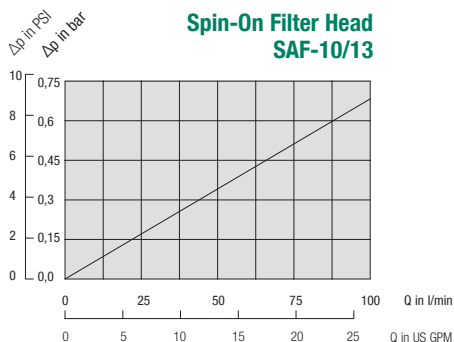
- For use with SF-65 series elements
- For element types with seal contour type A
- For element types and flow characteristics see page 175
- The element is not part of the scope of delivery

Valve

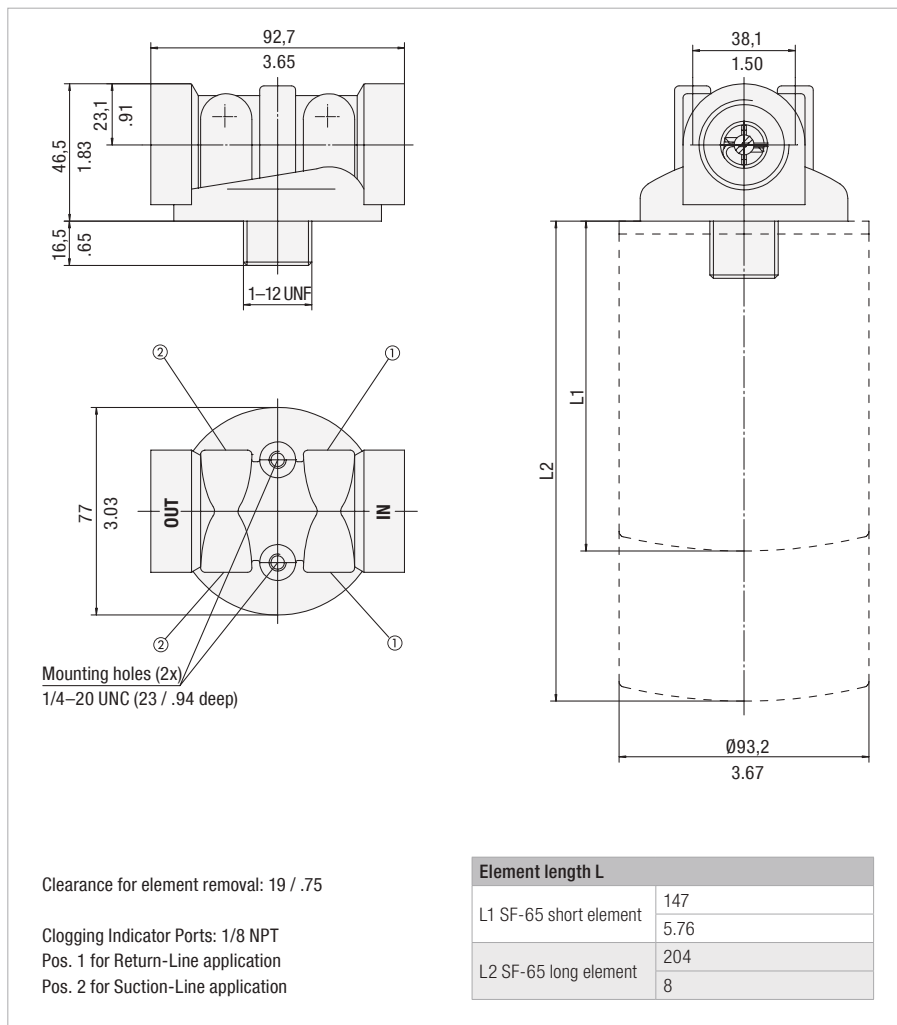
- Bypass valve (integrated in the filter head): Optional

Clogging Indicators

- For clogging indicator types see page 177



Dimensions



Dimensions in mm / in

Order Code

SAF - 10 - B1.7 - O

① ② ③ ④

① Type

Spin-On Filter Head **SAF**

② Connection Style

| Connection | Thread | Code |
|------------|-----------|-----------|
| NPT | 1 | 10 |
| SAE | 1-5/16-12 | 13 |

③ Bypass Options

| | |
|------------------|--------------|
| No bypass | 0 |
| 0,2 bar / 3 PSI | B0.2 |
| 0,35 bar / 5 PSI | B0.35 |
| 1 bar / 15 PSI | B1.0 |
| 1,7 bar / 25 PSI | B1.7 |

④ Clogging Indicator Port Options

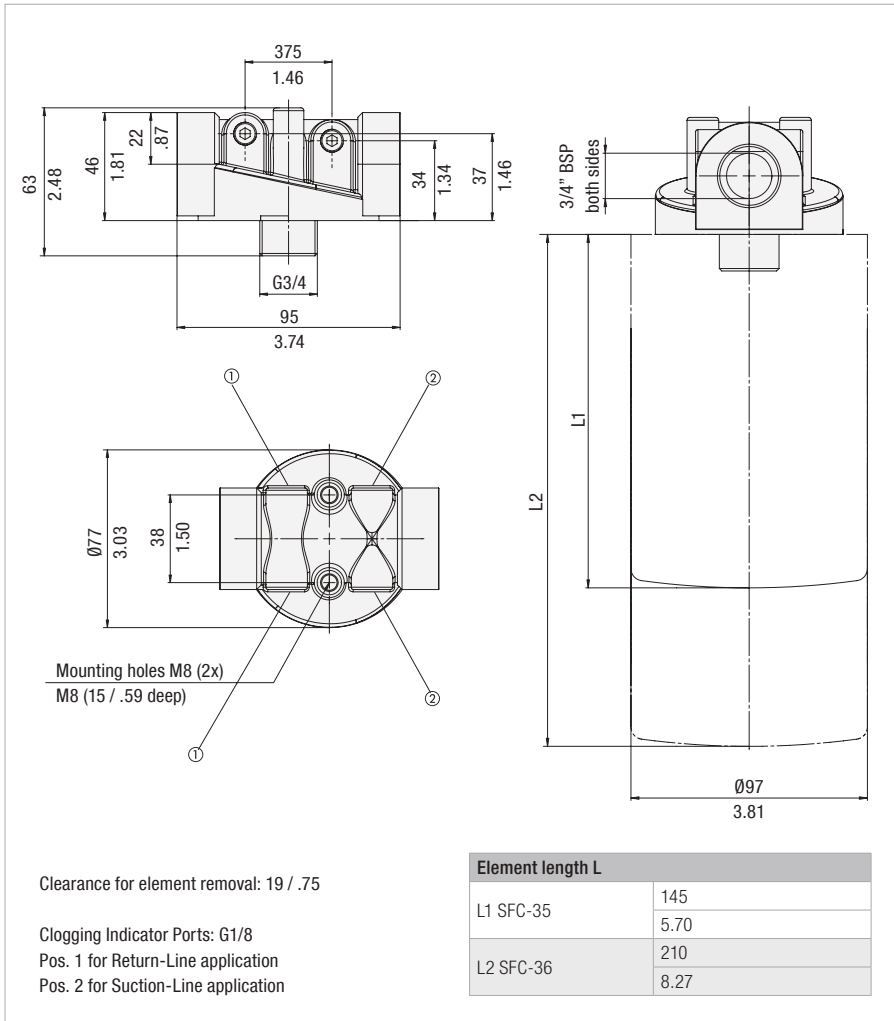
| | |
|--|----------|
| No clogging indicator port | 0 |
| Clogging indicator port drilled for Return-Line application | 1 |
| Clogging indicator port drilled for Suction-Line application | 2 |
| All clogging indicator ports drilled | 4 |
| Special | 9 |

Note: Standard clogging indicator port is 1/8 NPT.



Spin-On Filter Heads ■ SSF-12

Dimensions



Dimensions in mm / in



Technical Data

Construction

- In-line Spin-On filter head

Material

- Aluminium

Port Connections

- BSP

Flow Rate

- 90 l/min / 25 US GPM for Return-Line application
- 23 l/min / 6 US GPM for Suction-Line application

Operating Pressure

- Max. 12 bar / 174 PSI
- Max. 5 bar / 72.5 PSI differential pressure (for any applicaton without bypass valve)

Temperature Range

- -30 °C ... +100 °C / -22 °F ... +212 °F

Media Compatibility

- Mineral oils, other fluids on request

Options and Accessories


Filter Elements

- For use with SFC-35/36 series elements
- For element types with seal contour type A
- For element types and flow characteristics see page 174
- The element is not part of the scope of delivery

Valve

- Bypass valve (integrated in the filter head): Optional

Clogging Indicators

- For clogging indicator types see page 177

Order Code

SSF -
 12 -
 B1.7 -
 4 /
 X

① Type

| | |
|---------------------|------------|
| Spin-On Filter Head | SSF |
|---------------------|------------|

② Connection Style

| Connection | Thread | Code |
|------------|--------|-----------|
| BSP | 3/4 | 12 |

③ Bypass Options

| | |
|------------------|-------------|
| No bypass | 0 |
| 0,2 bar / 3 PSI | B0.2 |
| 1,7 bar / 25 PSI | B1.7 |

Note: Other settings available on request.

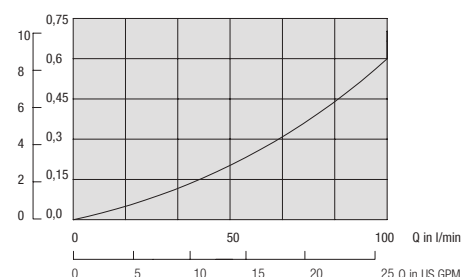
④ Clogging Indicator Port Options

| | |
|--------------------------------------|----------|
| All clogging indicator ports drilled | 4 |
| Special | 9 |

Note: Standard clogging indicator port is G1/8.

⑤ Design Code

| | |
|----------------------|----------|
| Only for information | X |
|----------------------|----------|

Spin-On Filter Head SSF-12


Spin-On Filter Heads ■ SSF-20L



Technical Data

Construction

- In-line Spin-On filter head

Material

- Aluminium

Port Connections

- BSP

Flow Rate

- 225 l/min / 60 US GPM for Return-Line application
- 46 l/min / 12 US GPM for Suction-Line application

Operating Pressure

- Max. 12 bar / 174 PSI
- Max. 5 bar / 72.5 PSI differential pressure (for any application without bypass valve)

Temperature Range

- -30 °C ... +100 °C / -22 °F ... +212 °F

Media Compatibility

- Mineral oils, other fluids on request

Options and Accessories



Filter Elements

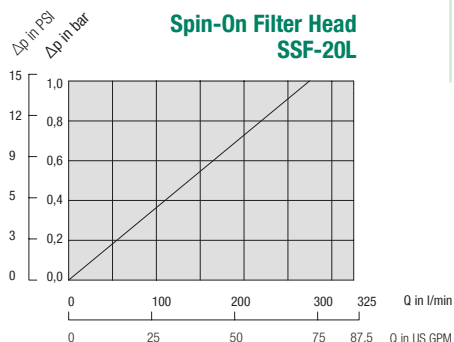
- For use with SF-67 and SFC-57/58 series elements
- For element types with seal contour type A and B
- For element types and flow characteristics see page 176 for SF-67 and page 174 for SFC-57/58.
- The element is not part of the scope of delivery

Valve

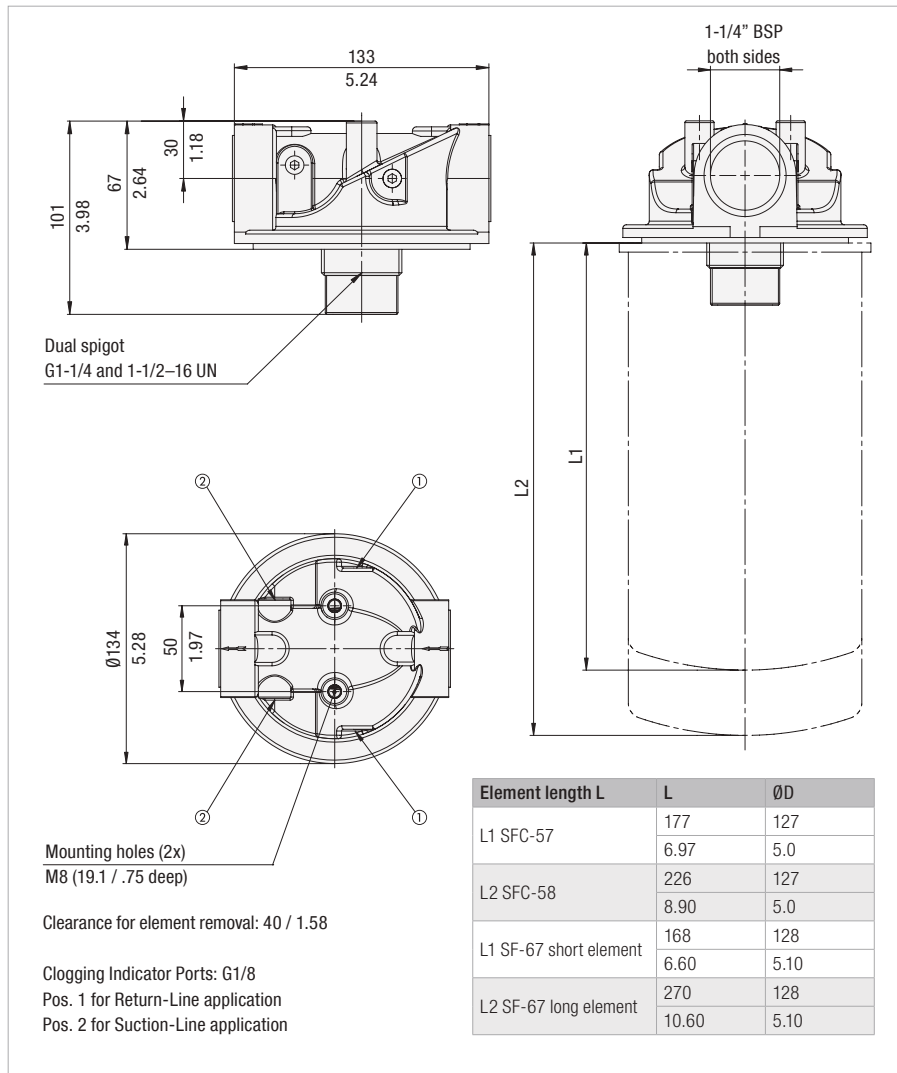
- Bypass valve (integrated in the filter head): Optional

Clogging Indicators

- For clogging indicator types see page 177

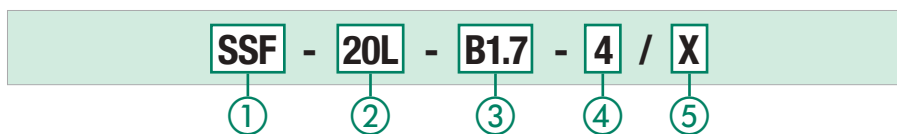


Dimensions



Dimensions in mm / in

Order Code



① Type

Spin-On Filter Head **SSF**

② Connection Style

| Connection | Thread | Code |
|------------|--------|------------|
| BSP | 1-1/4 | 20L |

③ Bypass Options

| | |
|------------------|-------------|
| No bypass | 0 |
| 0,2 bar / 3 PSI | B0.2 |
| 1,7 bar / 25 PSI | B1.7 |

Note: Other settings available on request.

④ Clogging Indicator Port Options

| | |
|--------------------------------------|----------|
| All clogging indicator ports drilled | 4 |
| Special | 9 |

Note: Standard clogging indicator port for is G1/8.

⑤ Design Code

| | |
|----------------------|----------|
| Only for information | X |
|----------------------|----------|



Spin-On Filter Heads ■ SSF-100 / 120 / 120L / 130 / 160
Dimensions

93.5
3.68
61
2.4
28
1.10
47.5
1.87

Dual spigot
G1-1/4 and
1-1/2-16 UN

Ø133
5.24

1
2

133
5.24

L1
L2

ØD

Mounting holes (2x)
5/16-18 UNC
(19 / .75 deep)

Clearance for element removal: 40 / 1.58

Clogging Indicator Ports: 1/8 NPT
Pos. 1 for Return-Line application
Pos. 2 for Suction-Line application

| Element length L | L | ØD |
|------------------------|-------|------|
| L1 SFC-57 | 177 | 127 |
| | 6.97 | 5.0 |
| L2 SFC-58 | 226 | 127 |
| | 8.90 | 5.0 |
| L1 SF-67 short element | 168 | 128 |
| | 6.60 | 5.10 |
| L2 SF-67 long element | 270 | 128 |
| | 10.60 | 5.10 |

Dimensions in mm / in


Technical Data
Construction

- In-line Spin-On filter head

Material

- Aluminium

Port Connections

- NPT
- SAE O-ring thread

Flow Rate

- 225 l/min / 60 US GPM for Return-Line application
- 46 l/min / 12 US GPM for Suction-Line application

Operating Pressure

- Max. 12 bar / 174 PSI
- Max. 5 bar / 72.5 PSI differential pressure
(for any application without bypass valve)

Temperature Range

- -30 °C ... +100 °C / -22 °F ... +212 °F

Media Compatibility

- Mineral oils, other fluids on request

Options and Accessories

Filter Elements

- For use with SF-67 and SFC-57/58 series elements
- For element types with seal contour type A and B
- For element types and flow characteristics see page 176 for SF-67 and page 174 for SFC-57/58.
- The element is not part of the scope of delivery

Valve

- Bypass valve (integrated in the filter head): Optional

Clogging Indicators

- For clogging indicator types see page 177

Order Code

SSF - 120 - B1.7 - O

① ② ③ ④

① Type

Spin-On Filter Head **SSF**

② Connection Style

| Connection | Thread | Code |
|------------|-----------|-------------|
| NPT | 1 | 100 |
| NPT | 1-1/4 | 120L |
| NPT | 1-1/4 | 120 |
| SAE | 1-5/16-12 | 130 |
| SAE | 1-5/8-12 | 160 |

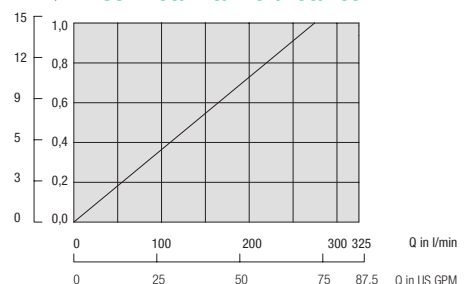
③ Bypass Options

| | |
|------------------|--------------|
| No bypass | 0 |
| 0,2 bar / 3 PSI | B0.2 |
| 0,35 bar / 5 PSI | B0.35 |
| 1 bar / 15 PSI | B1.0 |
| 1,7 bar / 25 PSI | B1.7 |

④ Clogging Indicator Port Options

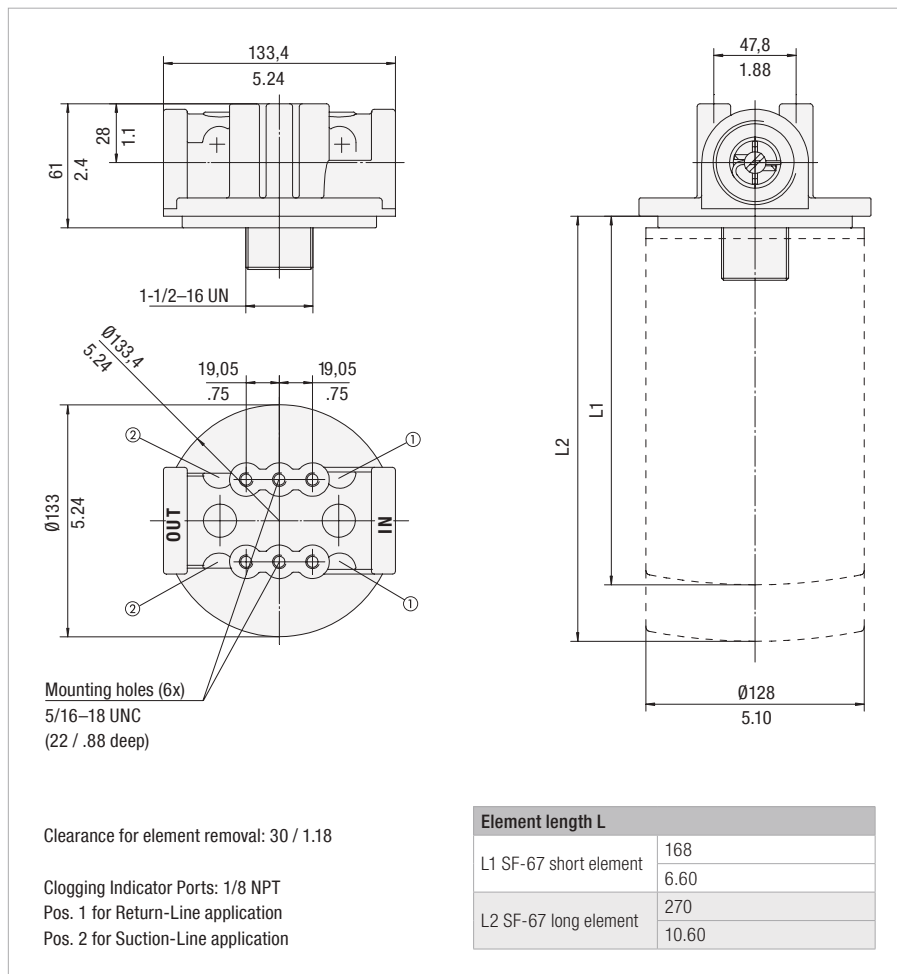
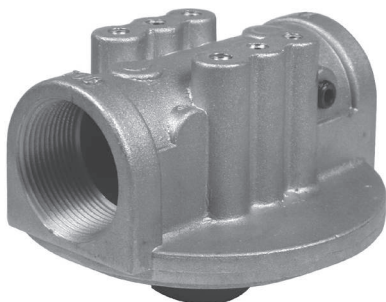
| | |
|--|----------|
| No clogging indicator port | 0 |
| Clogging indicator port drilled for Return-Line application | 1 |
| Clogging indicator port drilled for Suction-Line application | 2 |
| All clogging indicator ports drilled | 4 |
| Special | 9 |

Note: Standard clogging indicator port is 1/8 NPT.

**Spin-On Filter Head
SSF-100/120/120L/130/160**


Spin-On Filter Heads ■ SSF-150 / 180

Dimensions



Dimensions in mm / in

Technical Data

Construction

- In-line Spin-On filter head

Material

- Aluminium

Port Connections

- NPT
- SAE O-ring thread

Flow Rate

- 300 l/min / 80 US GPM for Return-Line application
- 113 l/min / 30 US GPM for Suction-Line application

Operating Pressure

- Max. 14 bar / 200 PSI
- Max. 5,5 bar / 80 PSI differential pressure (for any applicaton without bypass valve)

Temperature Range

- -30 °C ... +100 °C / -22 °F ... +212 °F

Media Compatibility

- Mineral oils, other fluids on request

Options and Accessories



Filter Elements

- For use with SF-67 series elements
- For element types with seal contour type B
- For element types and flow characteristics see page 176
- The element is not part of the scope of delivery

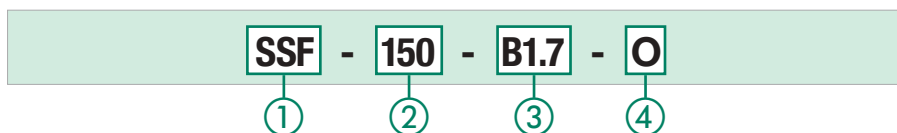
Valve

- Bypass valve (integrated in the filter head): Optional

Clogging Indicators

- For clogging indicator types see page 177

Order Code



① Type

Spin-On Filter Head **SSF**

② Connection Style

| Connection | Thread | Code |
|------------|----------|------------|
| NPT | 1-1/2 | 150 |
| SAE | 1-7/8-12 | 180 |

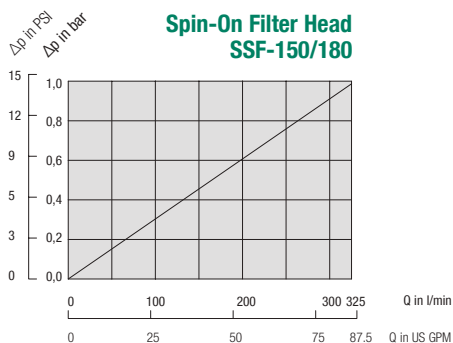
③ Bypass Options

| | |
|------------------|--------------|
| No bypass | 0 |
| 0,2 bar / 3 PSI | B0.2 |
| 0,35 bar / 5 PSI | B0.35 |
| 1 bar / 15 PSI | B1.0 |
| 1,7 bar / 25 PSI | B1.7 |

④ Clogging Indicator Port Options

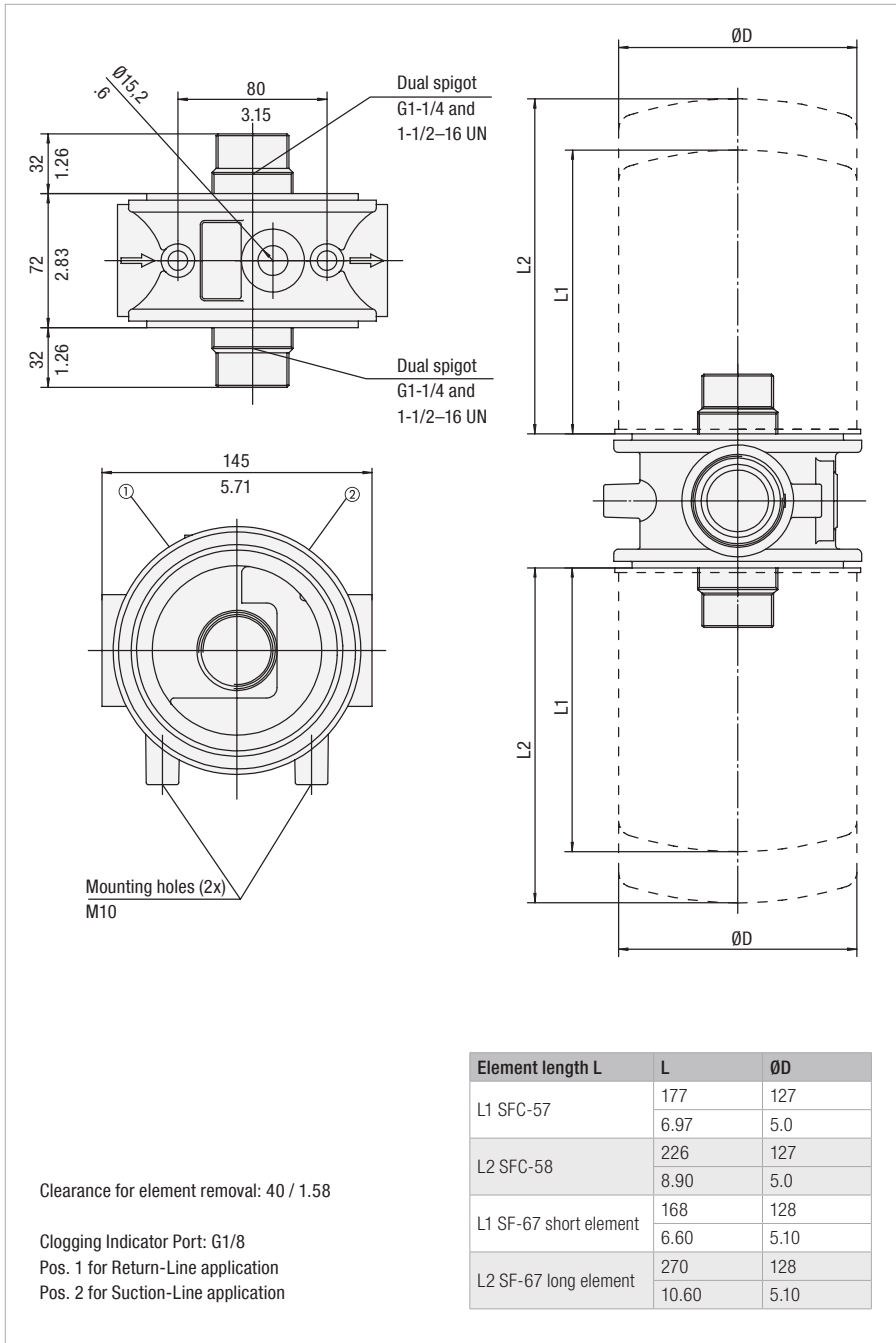
| | |
|--|----------|
| No clogging indicator port | 0 |
| Clogging indicator port drilled for Return-Line application | 1 |
| Clogging indicator port drilled for Suction-Line application | 2 |
| All clogging indicator ports drilled | 4 |
| Special | 9 |

Note: Standard clogging indicator port is 1/8 NPT.



Double Spin-On Filter Heads ■ SSF-24B

Dimensions



Dimensions in mm / in



Technical Data

Construction

- In-line Double Spin-On filter head

Material

- Aluminium

Port Connections

- BSP

Flow Rate

- 454 l/min / 120 US GPM for Return-Line application
- 132 l/min / 35 US GPM for Suction-Line application

Operating Pressure

- Max. 12 bar / 174 PSI
- Max. 5 bar / 72.5 PSI differential pressure (for any application without bypass valve)

Temperature Range

- -30 °C ... +100 °C / -22 °F ... +212 °F

Media Compatibility

- Mineral oils, other fluids on request

Options and Accessories



Filter Elements

- For use with SF-67 and SFC-57/58 series elements
- For element types with seal contour type A and B
- For element types and flow characteristics see page 176 for SF67 and page 174 for SFC-57/58
- The element is not part of the scope of delivery

Valve

- Bypass valve (integrated in the head): Optional

Clogging Indicators

- For clogging indicator types see page 177

Order Code

SSF - 24B - B1.7 - 4

①

②

③

④

① Type

 Double Spin-On Filter Head **SSF**

② Connection Style

| Connection | Thread | Code |
|------------|--------|------------|
| BSP | 1-1/2 | 24B |

③ Bypass Options

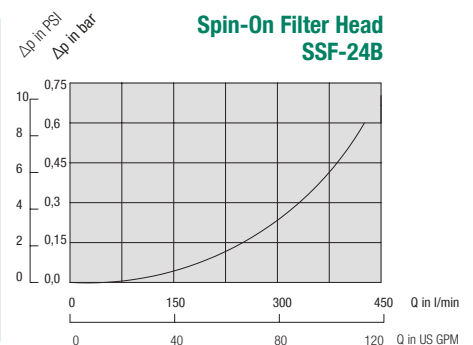
| | |
|------------------|-------------|
| No bypass | 0 |
| 0,2 bar / 3 PSI | B0.2 |
| 1,7 bar / 25 PSI | B1.7 |

Note: Other settings available on request.

④ Clogging Indicator Port Options

| | |
|--------------------------------------|----------|
| All clogging indicator ports drilled | 4 |
| Special | 9 |

Note: Standard clogging indicator port is G1/8.



Double Spin-On Filter Heads ■ SSF-24N / 24S

Dimensions



Technical Data

Construction

- In-line Double Spin-On filter head

Material

- Aluminium

Port Connections

- NPT
- SAE flange
- SAE O-ring thread

Flow Rate

- 454 l/min / 120 US GPM for Return-Line application
- 132 l/min / 35 US GPM for Suction-Line application

Operating Pressure

- Max. 12 bar / 174 PSI
- Max. 5 bar / 72.5 PSI differential pressure (for any applicaton without bypass valve)

Temperature Range

- -30 °C ... +100 °C / -22 °F ... +212 °F

Media Compatibility

- Mineral oils, other fluids on request

Options and Accessories



Filter Elements

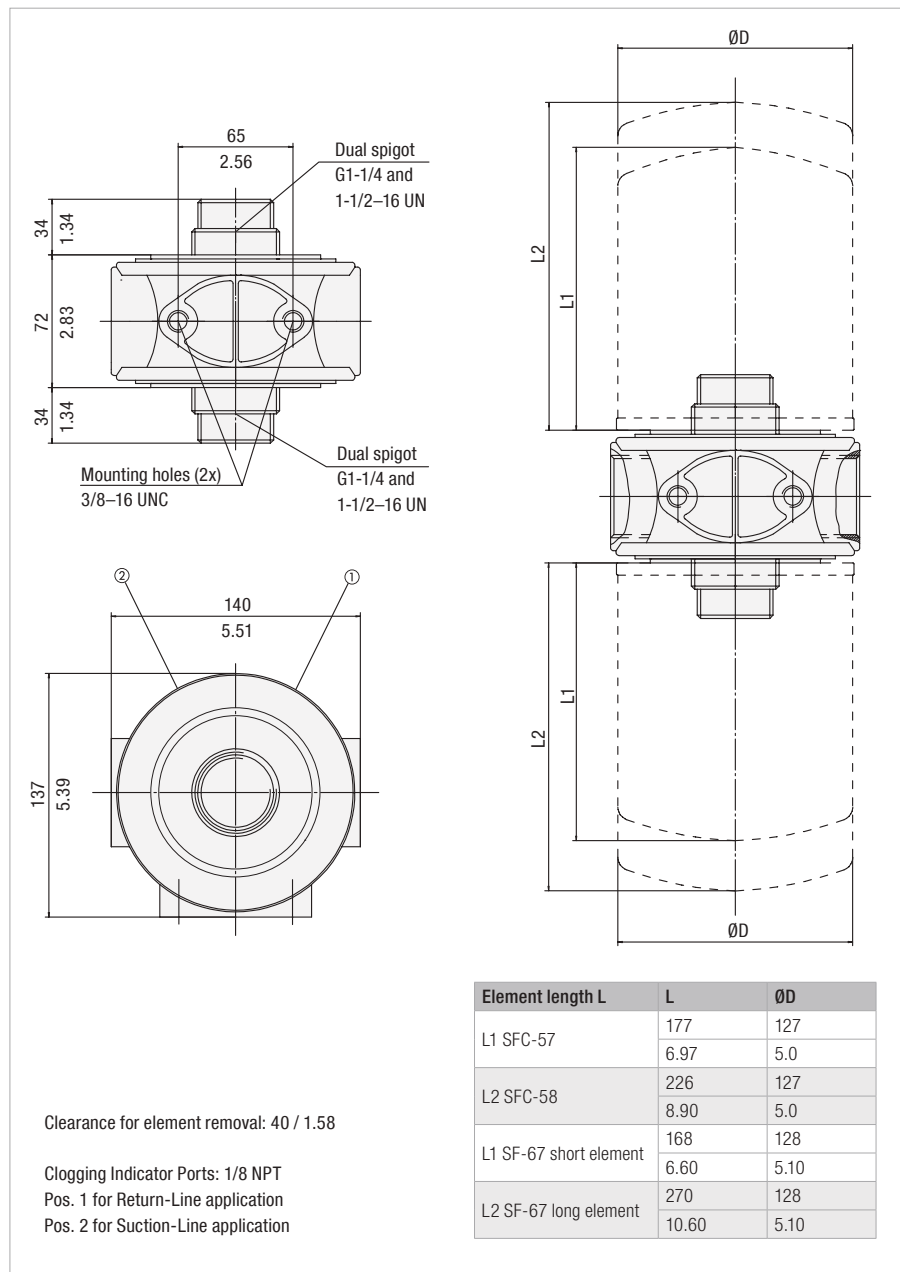
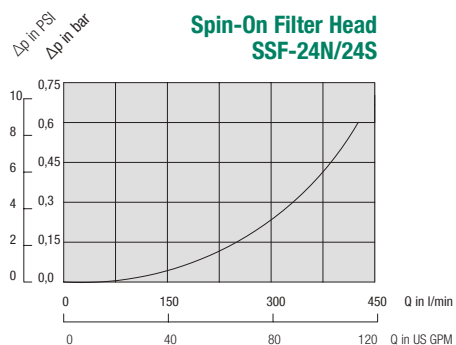
- For use with SF-67 and SFC-57/58 series elements
- For element types with seal contour type A and B
- For element types and flow characteristics see page 176 for SF-67 and page 174 for SFC-57/58
- The element is not part of the scope of delivery

Valve

- Bypass valve (integrated in the head): Optional

Clogging Indicators

- For clogging indicator types see page 177



Dimensions in mm / in

Order Code

SSF - 24N - B1.7 - O

① ② ③ ④

① Type

Double Spin-On Filter Head **SSF**

② Connection Style

| Connection | Thread | Code |
|------------|----------|------------|
| NPT | 1-1/2 | 24N |
| SAE | 1-7/8-12 | 24S |

③ Bypass Options

| | |
|------------------|--------------|
| No bypass | 0 |
| 0,2 bar / 3 PSI | B0.2 |
| 0,35 bar / 5 PSI | B0.35 |
| 1 bar / 15 PSI | B1.0 |
| 1,7 bar / 25 PSI | B1.7 |

④ Clogging Indicator Port Options

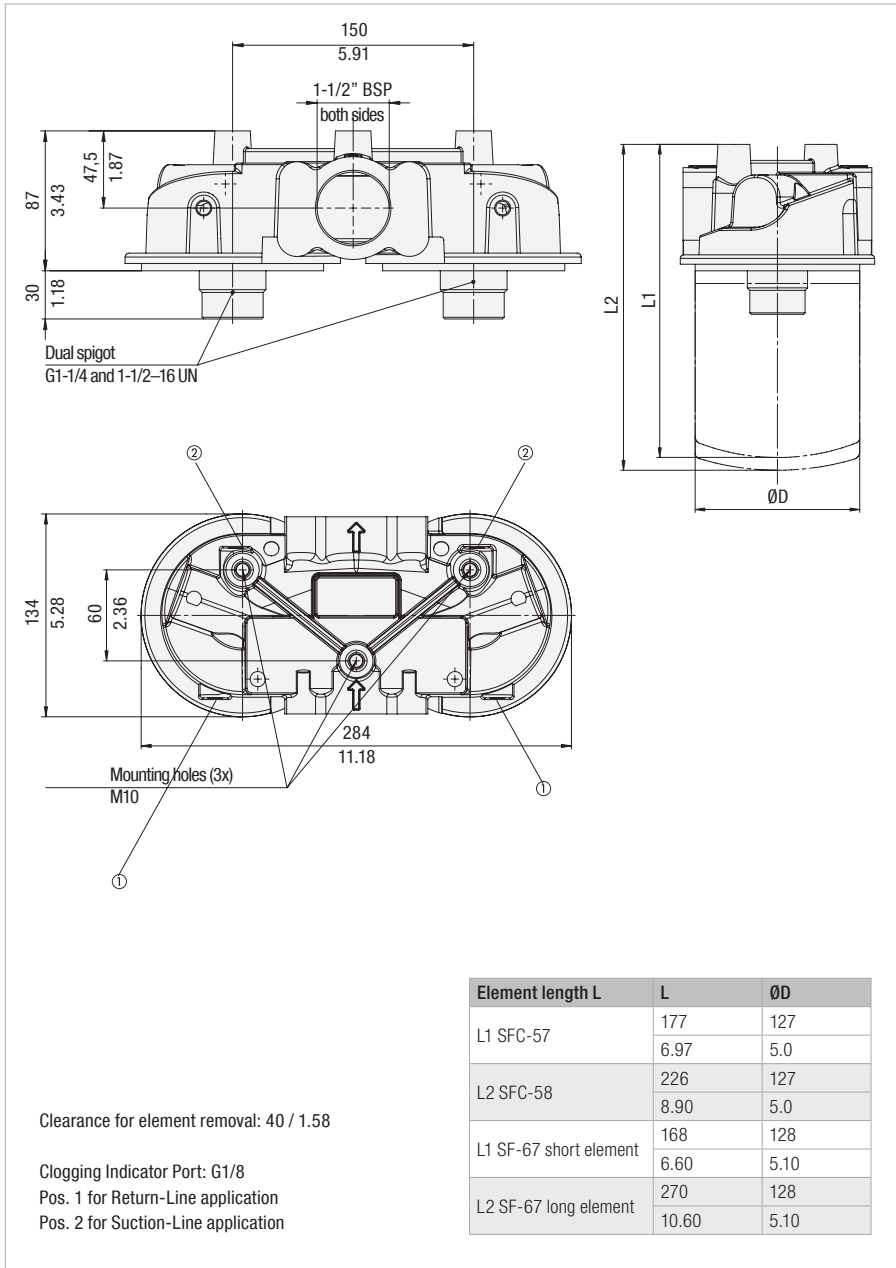
| | |
|--|----------|
| No clogging indicator port | 0 |
| Clogging indicator port drilled for Return-Line application | 1 |
| Clogging indicator port drilled for Suction-Line application | 2 |
| All clogging indicator ports drilled | 4 |
| Special | 9 |

Note: Standard clogging indicator port is 1/8 NPT.



Double Spin-On Filter Heads ■ SSF-25B

Dimensions



Dimensions in mm / in



Technical Data

Construction

- In-line Double Spin-On filter head

Material

- Aluminium

Port Connections

- BSP

Flow Rate

- 454 l/min / 120 US GPM for Return-Line application
- 132 l/min / 35 US GPM for Suction-Line application

Operating Pressure

- Max. 12 bar / 174 PSI
- Max. 5 bar / 72.5 PSI differential pressure (for any application without bypass valve)

Temperature Range

- -30 °C ... +100 °C / -22 °F ... +212 °F

Media Compatibility

- Mineral oils, other fluids on request

Options and Accessories



Filter Elements

- For use with SF-67 and SFC-57/58 series elements
- For element types with seal contour type A and B
- For element types and flow characteristics see page 176 for SF-67 and page 174 for SFC-57/58
- The element is not part of the scope of delivery

Valve

- Bypass valve (integrated in the head): Optional

Clogging Indicators

- For clogging indicator types see page 177

Order Code

SSF - **25B** - **B1.7** - **4** / **X**

① ② ③ ④ ⑤

① Type

 Double Spin-On Filter Head **SSF**

② Connection Style

| Connection | Thread | Code |
|------------|--------|------------|
| BSP | 1-1/2 | 25B |

③ Bypass Options

| | |
|------------------|-------------|
| No bypass | 0 |
| 0,2 bar / 3 PSI | B0.2 |
| 1,7 bar / 25 PSI | B1.7 |

Note: Other settings available on request.

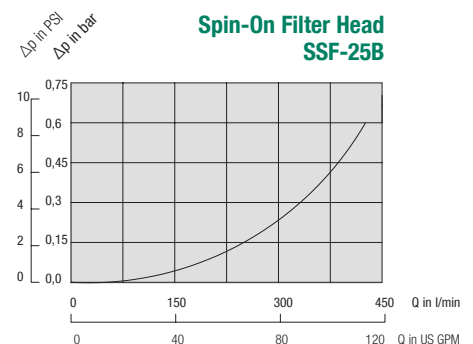
④ Clogging Indicator Port Options

| | |
|--------------------------------------|----------|
| All clogging indicator ports drilled | 4 |
| Special | 9 |

Note: Standard clogging indicator port is G1/8.

⑤ Design Code

| | |
|----------------------|----------|
| Only for information | X |
|----------------------|----------|



Double Spin-On Filter Heads ■ SSF-25FM

Dimensions



Technical Data

Construction

- In-line Double Spin-On filter head

Material

- Aluminium

Port Connections

- SAE flange

Flow Rate

- 454 l/min / 120 US GPM for Return-Line application
- 132 l/min / 35 US GPM for Suction-Line application

Operating Pressure

- Max. 12 bar / 174 PSI
- Max. 5 bar / 72.5 PSI differential pressure (for any applicaton without bypass valve)

Temperature Range

- -30 °C ... +100 °C / -22 °F ... +212 °F

Media Compatibility

- Mineral oils, other fluids on request

Options and Accessories



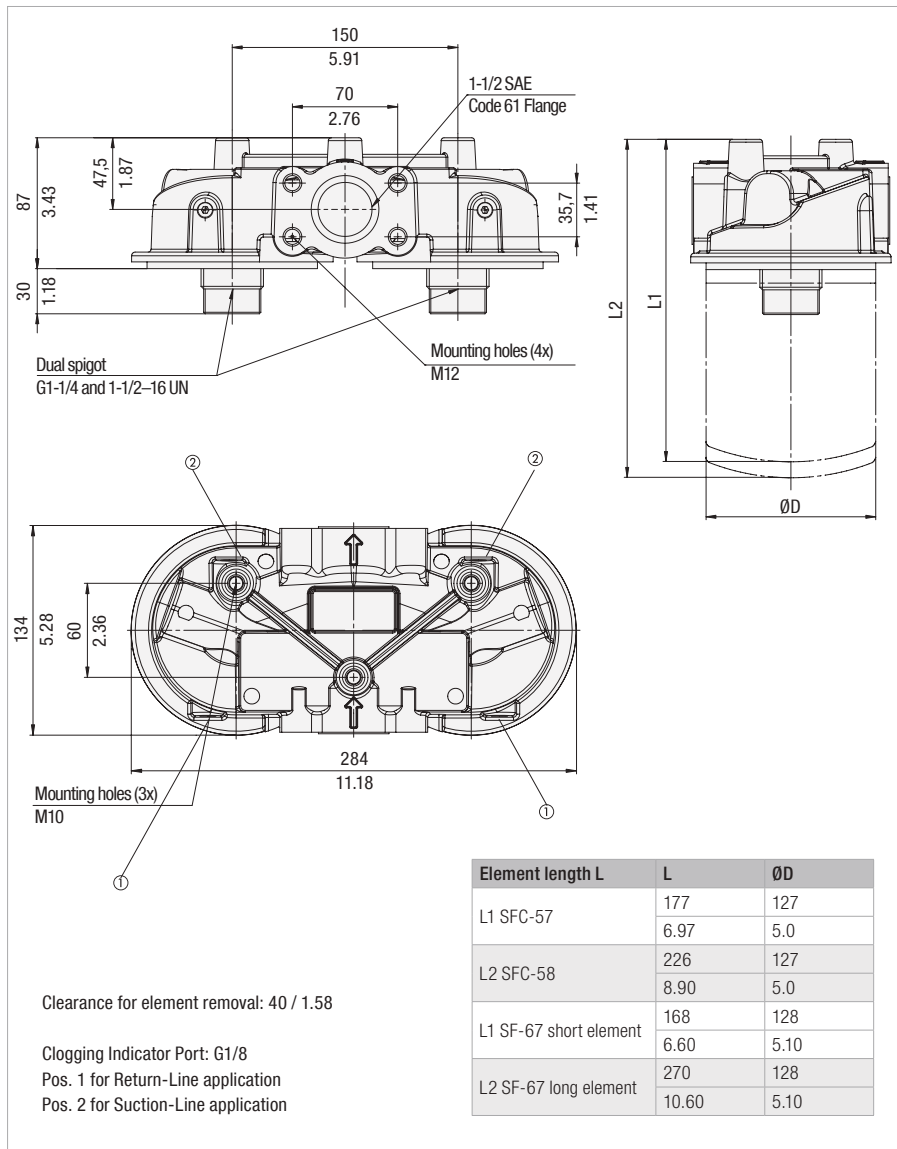
- For use with SF-67 and SFC-57/58 series elements
For element types with seal contour type A and B
For element types and flow characteristics see page 176 for SF-67 and page 174 for SFC-57/58
The element is not part of the scope of delivery

Valve

- Bypass valve (integrated in the head): Optional

Clogging Indicators

- For clogging indicator types see page 177



Dimensions in mm / in

Order Code

SSF - 25FM - B1.7 - 4

① ② ③ ④

① Type

Double Spin-On Filter Head **SSF**

② Connection Style

| Connection | Thread | Code |
|------------|--------------------------|-------------|
| SAE Flange | 1-1/2 SAE Code 61 Flange | 25FM |

③ Bypass Options

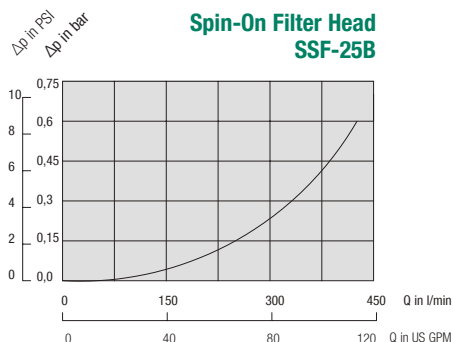
| | |
|------------------|-------------|
| No bypass | 0 |
| 0,2 bar / 3 PSI | B0.2 |
| 1,7 bar / 25 PSI | B1.7 |

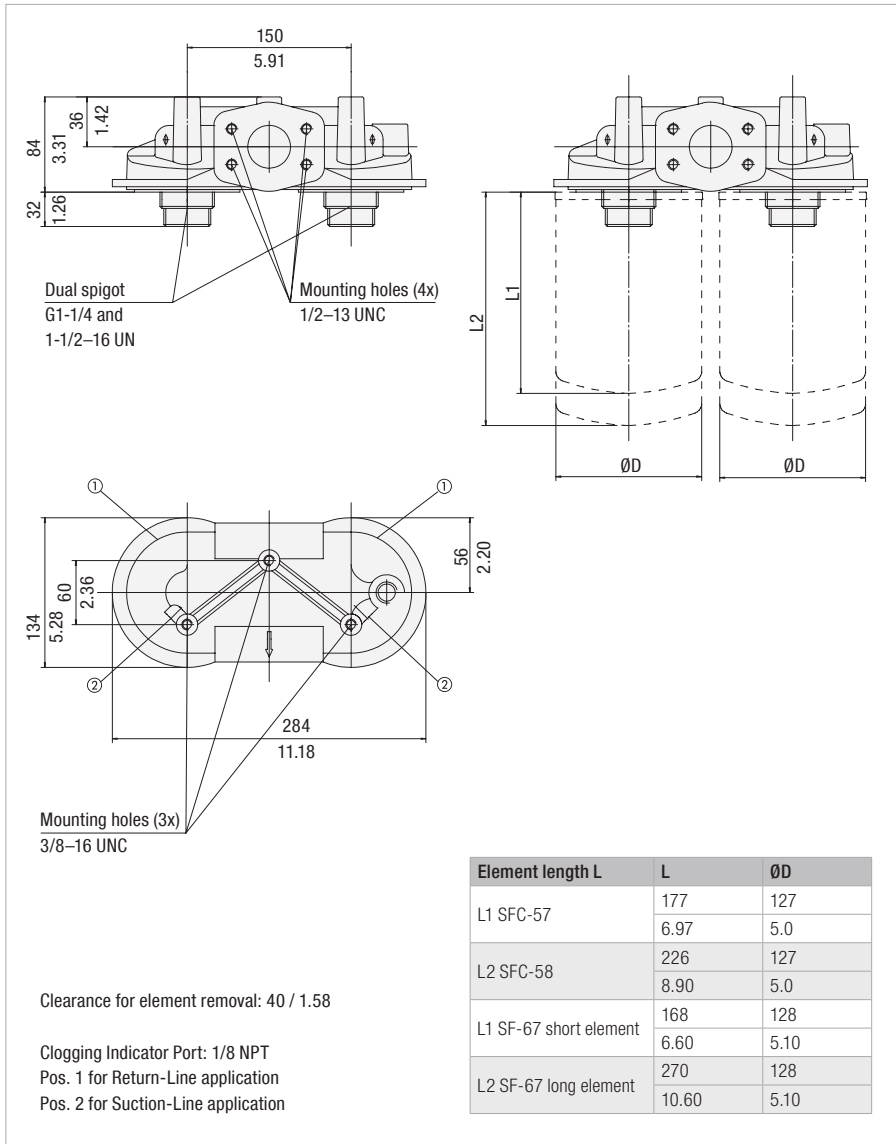
Note: Other settings available on request.

④ Clogging Indicator Port Options

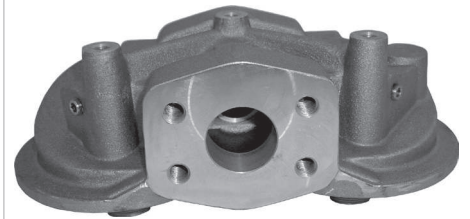
| | |
|--------------------------------------|----------|
| All clogging indicator ports drilled | 4 |
| Special | 9 |

Note: Standard clogging indicator port is G1/8.



Double Spin-On Filter Heads ■ SSF-25
Dimensions


Dimensions in mm / in


Technical Data
Construction

- In-line Double Spin-On filter head

Material

- Aluminium

Port Connections

- NPT
- SAE flange

Flow Rate

- 454 l/min / 120 US GPM for Return-Line application
- 132 l/min / 35 US GPM for Suction-Line application

Operating Pressure

- Max. 12 bar / 174 PSI
- Max. 5 bar / 72.5 PSI differential pressure (for any application without bypass valve)

Temperature Range

- -30 °C ... +100 °C / -22 °F ... +212 °F

Media Compatibility

- Mineral oils, other fluids on request

Options and Accessories

Filter Elements

- For use with SF-67 and SFC-57/58 series elements
- For element types with seal contour type A and B
- For element types and flow characteristics see page 176 for SF-67 and page 174 for SFC-57/58
- The element is not part of the scope of delivery

Valve

- Bypass valve (integrated in the head): Optional

Clogging Indicators

- For clogging indicator types see page 177

Order Code

SSF - **25** - **B1.7** - **O**

① ② ③ ④

① Type

 Double Spin-On Filter Head **SSF**
② Connection Style

| Connection | Thread | Code |
|--------------------|--------------------------------|-----------|
| NPT and SAE Flange | 1-1/2 and 2 SAE Code 61 Flange | 25 |

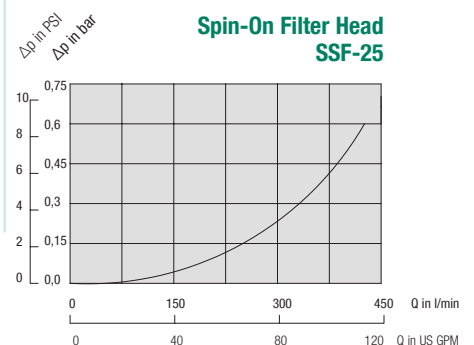
③ Bypass Options

| | |
|------------------|--------------|
| No bypass | 0 |
| 0,2 bar / 3 PSI | B0.2 |
| 0,35 bar / 5 PSI | B0.35 |
| 1 bar / 15 PSI | B1.0 |
| 1,7 bar / 25 PSI | B1.7 |

④ Clogging Indicator Port Options

| | |
|--|----------|
| No clogging indicator port | 0 |
| Clogging indicator port drilled for Return-Line application | 1 |
| Clogging indicator port drilled for Suction-Line application | 2 |
| All clogging indicator ports drilled | 4 |
| Special | 9 |

Note: Standard clogging indicator port is 1/8 NPT.



Tank Top Spin-On Filter Heads - SSFT-12B

Dimensions



Technical Data

Construction

- Tank Top Spin-On filter head

Material

- Aluminium

Port Connections

- BSP

Flow Rate

- 75 l/min / 20 US GPM

Operating Pressure

- Max. 7 bar / 100 PSI

Temperature Range

- 30 °C ... +100 °C / -22 °F ... +212 °F

Media Compatibility

- Mineral oils, other fluids on request

Options and Accessories



Filter Elements

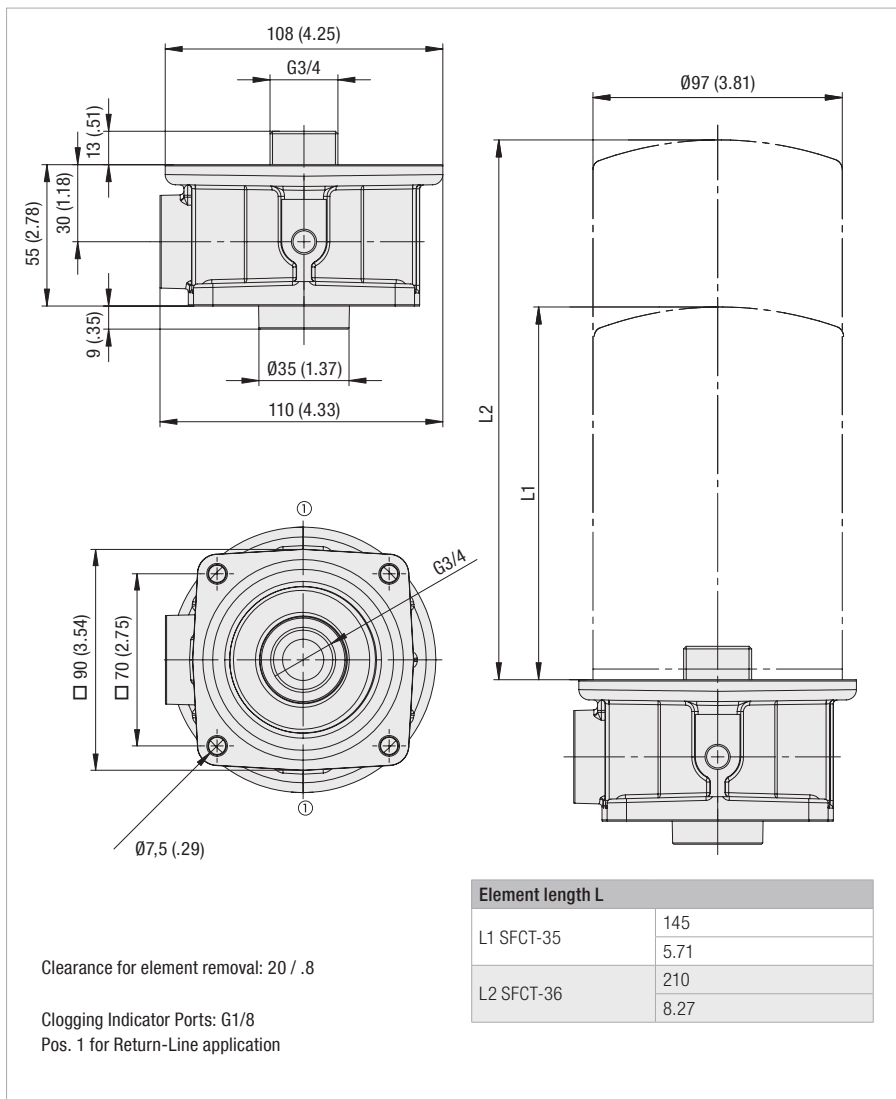
- For use with SFCT-35/36 series elements
- For element types with seal contour type A and B
- For element types and flow characteristics see 174
- The element is not part of the scope of delivery

Valve

- Bypass valve 1,7 bar / 25 PSI integrated in the filter element

Clogging Indicators

- For clogging indicator types see page 177



Order Code

SSFT - 12B - 1

① ② ③

① Type

Spin-On Filter Head **SSFT**

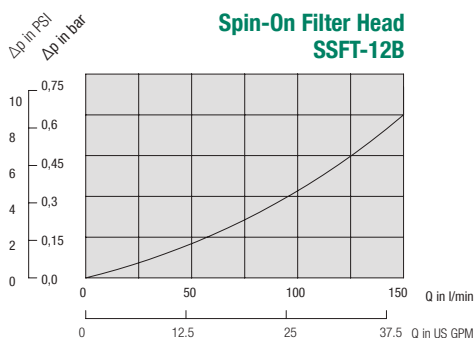
② Connection Style

| Connection | Thread | Code |
|------------|--------|------------|
| BSP | 3/4 | 12B |

③ Clogging Indicator Port Options

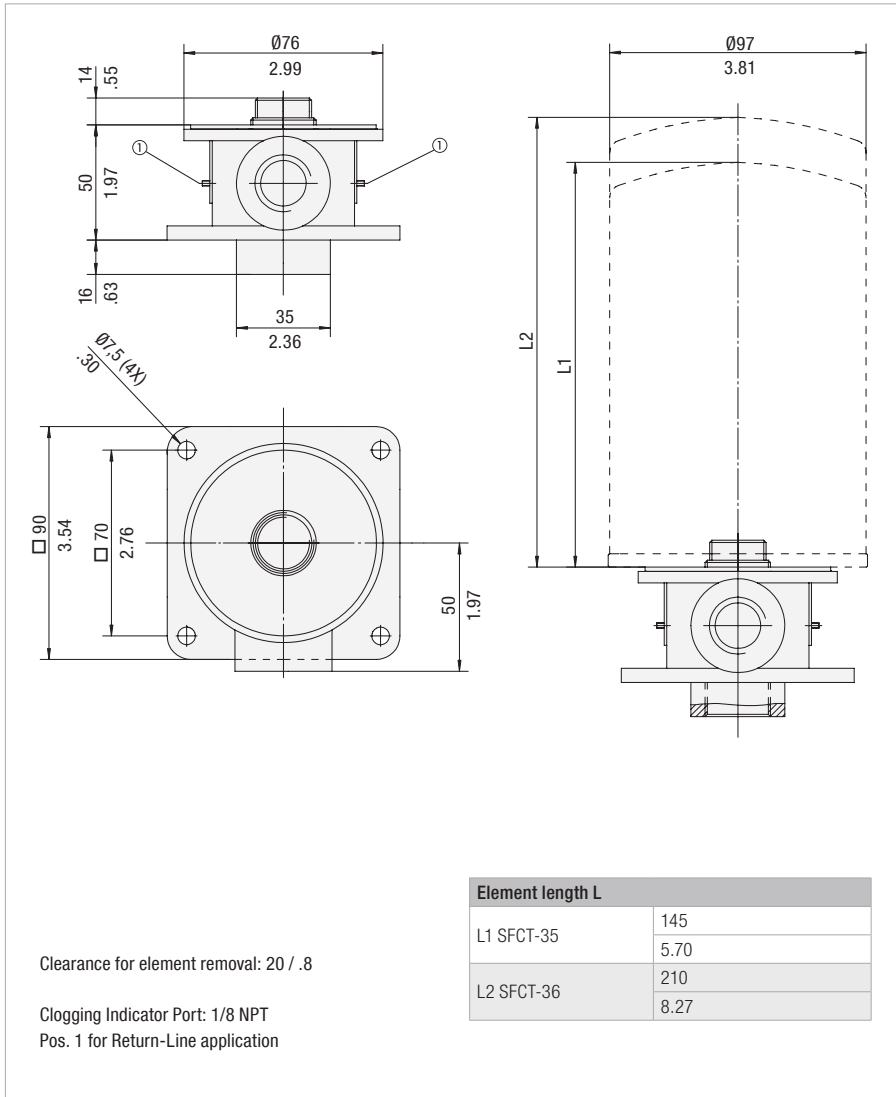
| | |
|---|----------|
| Clogging indicator port drilled for Return-Line application | 1 |
| Special | 9 |

Note: Standard clogging indicator port is G1/8.



Tank Top Spin-On Filter Heads ■ SSFT-12

Dimensions



Dimensions in mm / in



Technical Data

Construction

- Tank Top Spin-On filter head

Material

- Aluminium

Port Connections

- NPT

Flow Rate

- 75 l/min / 20 US GPM

Operating Pressure

- Max. 7 bar / 100 PSI

Temperature Range

- -30 °C ... +100 °C / -22 °F ... +212 °F

Media Compatibility

- Mineral oils, other fluids on request

Options and Accessories


Filter Elements

- For use with SFCT-35/36 series elements
- For element types with seal contour type A and B
- For element types and flow characteristics see page 174
- The element is not part of the scope of delivery

Valve

- Bypass valve 1,7 bar / 25 PSI integrated in the filter element

Clogging Indicators

- For clogging indicator types see page 177

Order Code

SSFT - **12** - **1**

① ② ③

① Type

 Spin-On Filter Head **SSFT**

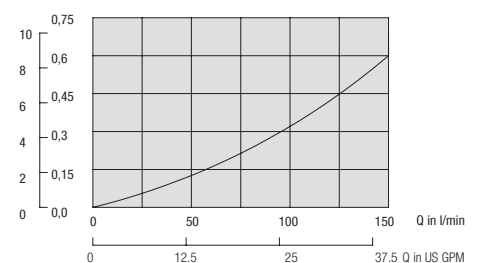
② Connection Style

| Connection | Thread | Code |
|------------|--------|------|
| NPT | 3/4 | 12 |

③ Clogging Indicator Port Options

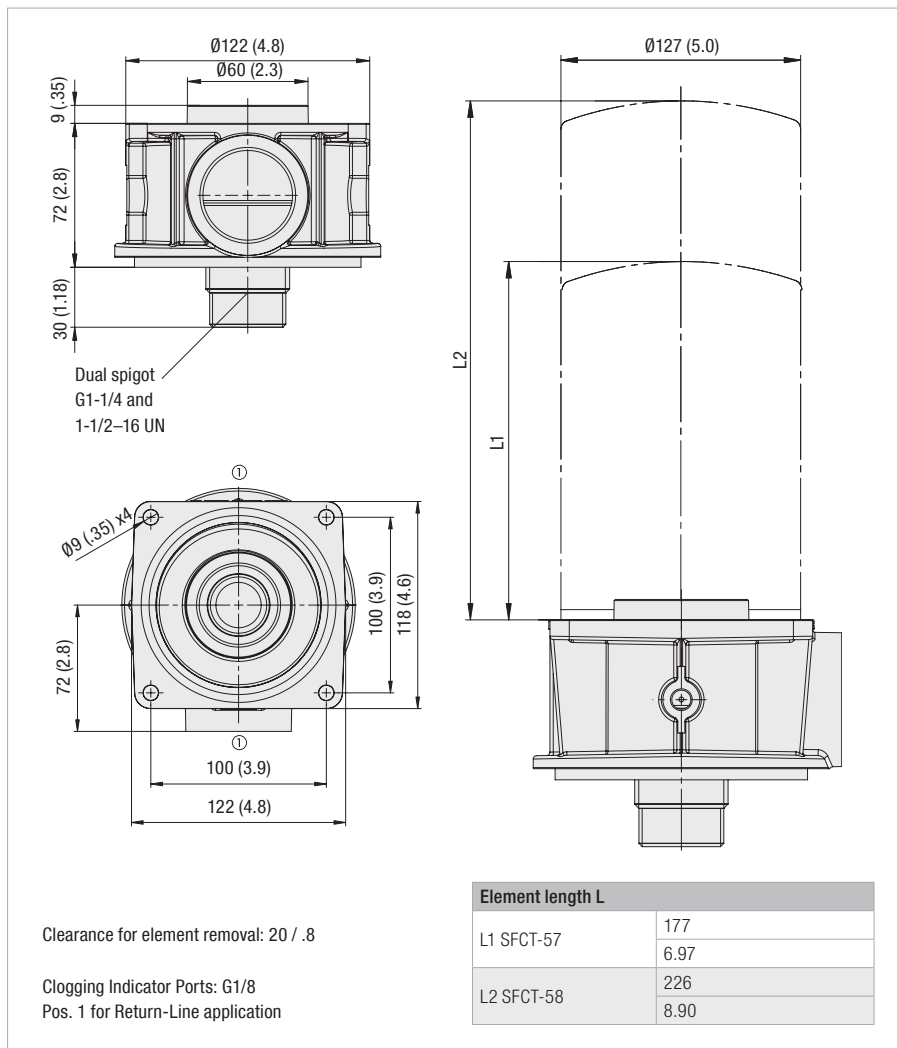
| | |
|---|---|
| No clogging indicator port | 0 |
| Clogging indicator port drilled for Return-Line application | 1 |
| Special | 9 |

Note: Standard clogging indicator port is 1/8 NPT.

 Spin-On Filter Head
SSFT-12


Tank Top Spin-On Filter Heads - SSFT-20B

Dimensions



Dimensions in mm / in

Technical Data

Construction

- Tank Top Spin-On filter head

Material

- Aluminium

Port Connections

- BSP

Flow Rate

- 200 l/min / 53 US GPM

Operating Pressure

- Max. 7 bar / 100 PSI

Temperature Range

- 30 °C ... +100 °C / -22 °F ... +212 °F

Media Compatibility

- Mineral oils, other fluids on request

Options and Accessories



Filter Elements

- For use with SFCT-57/58 series elements
- For element types with seal contour type A
- For element types and flow characteristics see page 174
- The element is not part of the scope of delivery

Valve

- Bypass valve 1,7 bar / 25 PSI integrated in the filter element

Clogging Indicators

- For clogging indicator types see page 177

Order Code

SSFT - 20B - 1

① ② ③

① Type

Spin-On Filter Head **SSFT**

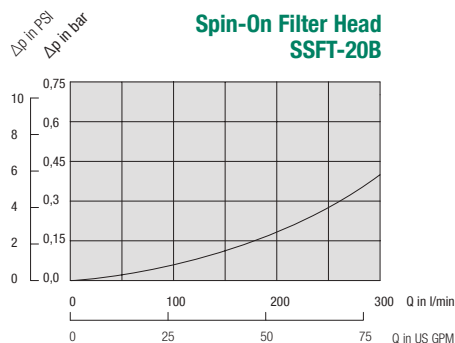
② Connection Style

| Connection | Thread | Code |
|------------|--------|------------|
| BSP | 1-1/2 | 20B |

③ Clogging Indicator Port Options

| | |
|---|----------|
| Clogging indicator port drilled for Return-Line application | 1 |
| Special | 9 |

Note: Standard clogging indicator port is G1/8.



Spin-On Filter Elements

Description

STAUFF offers a wide range of Spin-On filter heads and Spin-On filter elements.

Sealing Material

- NBR (Buna-N®)

Media Compatibility

- Mineral oils, other fluids on request

Temperature Range

- -30 °C ... +100 °C / -22 °F ... +212 °F

Filter Materials

- Wire Mesh, Brass Mesh, Filter Paper, Inorganic Glass Fibre, Stainless Wire Mesh and Water Absorbing Filter Material

Options and Accessories

Valves

- Filter elements type SFCT have an internal bypass and anti-drain back diaphragm

F



Types SFC-35/36, SFCT-35/36

- Use with Spin-On filter heads SSF-12, SSFT-12 and SSFT-12B
- Connection thread: G3/4
- Operating pressure: SFC: max. 12 bar / 174 PSI
SFCT: max 7 bar / 100 PSI
- Differential Pressure: SFC: max. 4 bar / 58 PSI
SFCT: max. 3 bar / 43,5 PSI
- Burst Pressure: SFC: min. 25 bar / 363 PSI
SFCT: min 21 bar / 305 PSI



Types SFC-57/58, SFCT-57/58

- Use with Spin-On filter heads SSF-20L/100/120/120L/130/160 SSF-24B/24N/24S/25B/25FM/25 and SSFT-20B/20
- Connection thread: G1-1/4
- Operating pressure: SFC: max. 12 bar / 174 PSI
SFCT: max 7 bar / 100 PSI
- Differential Pressure: SFC: max. 4 bar / 58 PSI
SFCT: max. 3 bar / 43,5 PSI
- Burst Pressure: SFC: min. 25 bar / 363 PSI
SFCT: min 21 bar / 305 PSI



Type SF-63

- Use with Spin-On filter head SLF
- Connection thread: 3/4–16 UNF
- Operating pressure: max. 14 bar / 200 PSI
- Differential Pressure: max. 5,5 bar / 80 PSI
- Burst Pressure: min. 20 bar / 290 PSI



Type SF-65

- Use with Spin-On filter head SAF
- Connection thread: 1–12 UNF
- Operating pressure: max. 14 bar / 200 PSI
- Differential Pressure: max. 5,5 bar / 80 PSI
- Burst Pressure: min. 20 bar / 290 PSI



Type SF-67

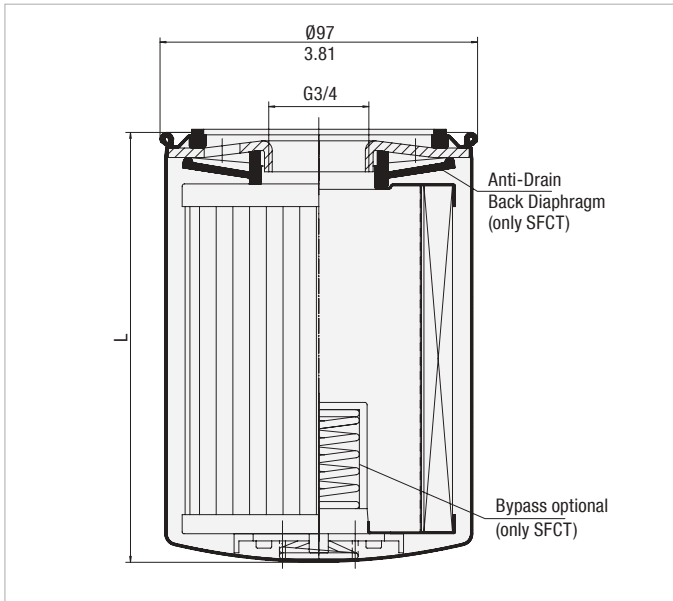
- Use with Spin-On filter heads SSF-20L/100/120/120L/130/150/160/180 SSF-24B/24N/24S/25B/25FM/25
- Connection thread: 1/2–16 UN
- Operating pressure: max. 14 bar / 200 PSI
- Differential Pressure: max. 5,5 bar / 80 PSI
- Burst Pressure: min. 20 bar / 290 PSI



Private Labelling

- On request, the filter elements can be printed with a private label



Spin-On Filter Elements - Type SFC-35 / 36 and SFCT-35 / 36


Dimensions in mm / in


Product Description

STAUFF SFC-35/36 series Spin-On Elements are used with the STAUFF SSF-12 Spin-On Filters with G3/4 threaded ports.

STAUFF SFCT-35/36 series Spin-On Elements have an internal 1,7 bar / 25 PSI bypass and anti-drain back diaphragm for use with STAUFF SSFT-12 and SSFT-12B Tank Top Spin-On Filters.

Technical Data
Connection Thread

- G3/4

Operating Pressure

- Max. 12 bar / 174 PSI

Burst Pressure

- Min. 20 bar / 290 PSI

Temperature Range

- -30 °C ... +100 °C / -22 °F ... +212 °F

Seal Contour

- Type A (see page 151)

Differential Pressure

- Paper: Max. 5 bar / 72.5 PSI
Glass Fibre / Wire Mesh: Max. 10 bar / 145 PSI
(for any application without bypass valve)

Bypass Pressure

- 1,7 bar / 25 PSI (only SFCT-series)

Media Compatibility

- Mineral oils, other fluids on request

Sealing Material

- NBR (Buna-N®)

Dimensions

| Order Code | Filter Paper | | | | Inorganic Glass Fibre | | | | | | |
|------------------------------|---------------------|---------------------|---------------------|---------------------|-----------------------|--------------------|-----------------------|-----------------------|-----------------------|-----------------------|--|
| | SFC-3510-E | SFC-3610-E | SFC-3525-E | SFC-3625-E | SFC-3503-AE | SFC-3603-AE | SFC-3510-AE | SFC-3610-AE | SFC-3525-AE | SFC-3625-AE | |
| Element without bypass valve | | | | | | | | | | | |
| Element with bypass valve | SFCT-3510-E | SFCT-3610-E | SFCT-3525-E | SFCT-3625-E | | | SFCT-3510-AE | SFCT-3610-AE | SFCT-3525-AE | SFCT-3625-AE | |
| | | | | | | | | | | | |
| Length L (mm/in) | 145 5.7 | 210 8.27 | 145 5.7 | 210 8.27 | 145 5.7 | 210 8.27 | 145 5.7 | 210 8.27 | 145 5.7 | 210 8.27 | |
| β-Ratio | $\beta_{10} \geq 2$ | $\beta_{10} \geq 2$ | $\beta_{25} \geq 2$ | $\beta_{25} \geq 2$ | $\beta_3 \geq 200$ | $\beta_3 \geq 200$ | $\beta_{10} \geq 200$ | $\beta_{10} \geq 200$ | $\beta_{25} \geq 200$ | $\beta_{25} \geq 200$ | |
| Carton Quantity | 1 | 1 | 1 | 1 | 1 | 1 | 1 | 1 | 1 | 1 | |
| Carton Weight (kg/lbs) | 0,9 2 | 1,3 2,6 | 0,9 2 | 1,3 2,6 | 0,9 2 | 1,3 2,6 | 0,9 2 | 1,3 2,6 | 0,9 2 | 1,3 2,6 | |

| Order Code | Wire Mesh | | Brass Mesh | |
|------------------------------|------------|-------------|-------------|-------------|
| | SFC-3560-E | SFC-3660-E | SFC-35125-E | SFC-36125-E |
| Element without bypass valve | | | | |
| Element with bypass valve | - | - | - | - |
| | | | | |
| Length L (mm/in) | 145 5.7 | 210 8.27 | 145 5.7 | 210 8.27 |
| β-Ratio | n/a | n/a | n/a | n/a |
| Carton Quantity | 1 | 1 | 1 | 1 |
| Carton Weight (kg/lbs) | 0,9 2 | 1,3 2,6 | 0,9 2 | 1,3 2,6 |



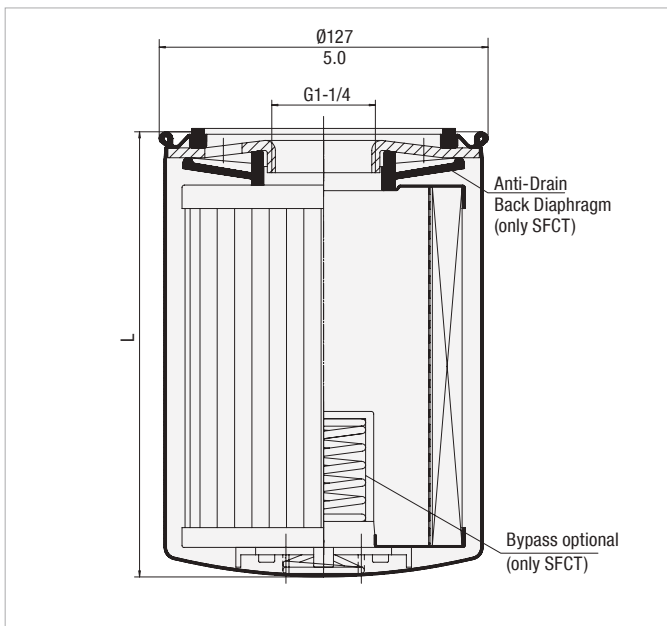
Spin-On Elements ▪ Type SFC-57 / 58 and SFCT-57 / 58



Product Description

STAUFF Spin-On Filter Elements of the SFC-/SFCT-57/58 series are used with the STAUFF SSF-20L/100/120/120L/130/160 and SSF-24B/24N/24S/25B/25FM/25 series Spin-On Filters with G1-1/4 threaded ports.

STAUFF SFCT-57/58 series Spin-On Elements have an internal 1,7 bar / 25 PSI bypass and anti-drain back diaphragm for use with STAUFF SSFT-20B/20 Tank Top Spin-On Filters.



F

Technical Data

Connection Thread

- G1-1/4

Operating Pressure

- Max. 12 bar / 174 PSI

Burst Pressure

- Min. 17 bar / 247 PSI

Temperature Range

- -30 °C ...+100 °C / -22 °F ... +212 °F

Seal Contour

- Type A (see page 151)

Differential Pressure

- Paper: Max. 5 bar / 72.5 PSI
Glass Fibre / Wire Mesh:
Max. 10 bar / 145 PSI
(for any application without bypass valve)

Bypass Pressure

- 1,7 bar / 25 PSI
(only SFCT-series)

Media Compatibility

- Mineral oils, other fluids on request

Sealing Material

- NBR (Buna-N®)

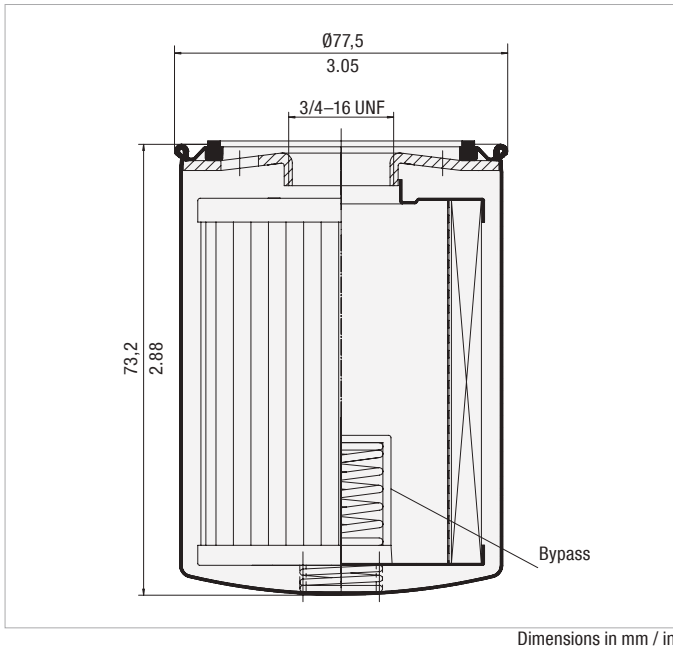
Dimensions

| Order Code | Filter Paper | | | | Inorganic Glass Fibre | | | | | |
|------------------------------|---------------------|---------------------|---------------------|---------------------|-----------------------|--------------------|-----------------------|-----------------------|-----------------------|-----------------------|
| | SFC-5710-E | SFC-5810-E | SFC-5725-E | SFC-5825-E | SFC-5703-AE | SFC-5803-AE | SFC-5710-AE | SFC-5810-AE | SFC-5725-AE | SFC-5825-AE |
| Element without bypass valve | SFC-5710-E | SFC-5810-E | SFC-5725-E | SFC-5825-E | - | - | SFC-5710-AE | SFC-5810-AE | SFC-5725-AE | SFC-5825-AE |
| Element with bypass valve | SFCT-5710-E | SFCT-5810-E | SFCT-5725-E | SFCT-5825-E | - | - | SFCT-5710-AE | SFCT-5810-AE | SFCT-5725-AE | SFCT-5825-AE |
| | | | | | | | | | | |
| Length L (mm/in) | 177 6.97 | 226 8.9 | 177 6.97 | 226 8.9 | 177 6.97 | 226 8.9 | 177 6.97 | 226 8.9 | 177 6.97 | 226 8.9 |
| β-Ratio | $\beta_{10} \geq 2$ | $\beta_{10} \geq 2$ | $\beta_{25} \geq 2$ | $\beta_{25} \geq 2$ | $\beta_3 \geq 200$ | $\beta_3 \geq 200$ | $\beta_{10} \geq 200$ | $\beta_{10} \geq 200$ | $\beta_{25} \geq 200$ | $\beta_{25} \geq 200$ |
| Carton Quantity | 1 | 1 | 1 | 1 | 1 | 1 | 1 | 1 | 1 | 1 |
| Carton Weight (kg/lbs) | 1,4 3 | 1,85 4 | 1,4 3 | 1,85 4 | 1,4 3 | 1,85 4 | 1,4 3 | 1,85 4 | 1,4 3 | 1,85 4 |

| Order Code | Wire Mesh | | Brass Mesh | |
|------------------------------|-------------|------------|-------------|-------------|
| | SFC-5760-E | SFC-5860-E | SFC-57125-E | SFC-58125-E |
| Element without bypass valve | SFC-5760-E | SFC-5860-E | SFC-57125-E | SFC-58125-E |
| Element with bypass valve | - | - | - | - |
| | | | | |
| Length L (mm/in) | 177 6.97 | 226 8.9 | 177 6.97 | 226 8.9 |
| β-Ratio | n/a | n/a | n/a | n/a |
| Carton Quantity | 1 | 1 | 1 | 1 |
| Carton Weight (kg/lbs) | 0,9 2 | 1,3 2,6 | 0,9 2 | 1,3 2,6 |



Spin-On Elements ▪ Type SF-63



Product Description

STAUFF SF-63-series Spin-On Elements are used with the STAUFF SLF Spin-On Filters.

F

Technical Data

Connection Thread

- 3/4-16 UNF

Seal Contour

- Type A (see page 151)

Sealing Material

- NBR (Buna-N®)

Operating Pressure

- Max. 14 bar / 200 PSI

Differential Pressure

- Max. 5,5 bar / 80 PSI
(for any application without bypass valve)

Burst Pressure

- Min. 20 bar / 290 PSI

Bypass Pressure

- SF-6310-18 1,24 bar / 18 PSI
- SF-6325-10 0,70 bar / 10 PSI

Temperature Range

- -30 °C ... +100 °C / -22 °F ... +212 °F

Media Compatibility

- Mineral oils, other fluids on request

Dimensions

| Order Code | Filter Paper | |
|---------------------------|---------------------|---------------------|
| | SF-6310-18 | SF-6325-10 |
| | 10µm | 25µm |
| β-Ratio | $\beta_{10} \geq 2$ | $\beta_{25} \geq 2$ |
| Dirt Holding Capacity (g) | 6 | 6 |
| Carton Quantity | 12 | 12 |
| Carton Weight (kg/lbs) | 3,6 | 3,6 |
| | 8 | 8 |

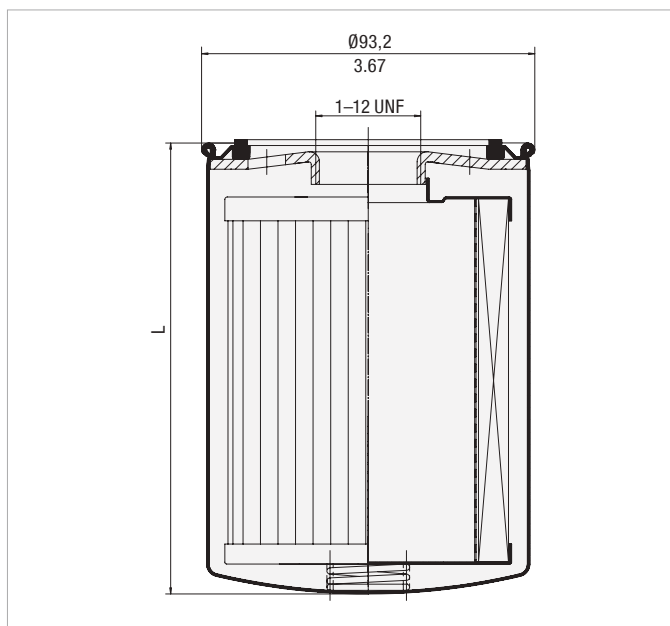


Spin-On Elements ▪ Type SF-65



Product Description

STAUFF SF-65-series Spin-On Elements are used with the STAUFF SAF series Spin-On Filters.



Dimensions in mm / in

Technical Data

Connection Thread

- 1-12 UNF

Seal Contour

- Type A (see page 151)

Sealing Material

- NBR (Buna-N®)

Operating Pressure

- Max. 14 bar / 200 PSI
- SF-6520-W: Max. 7 bar / 101.5 PSI

Differential Pressure

- Max. 5,5 bar / 80 PSI
(for any application without bypass valve)

Burst Pressure

- Min. 20 bar / 290 PSI





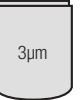
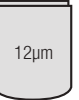

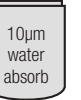
Temperature Range

- -30 °C ... +100 °C / -22 °F ... +212 °F

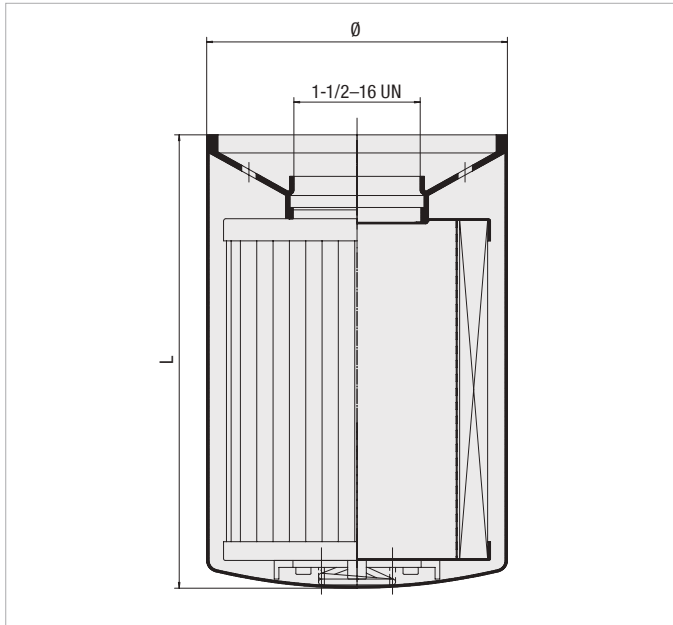
Media Compatibility

- Mineral oils, other fluids on request

Dimensions

| Order Code | Filter Paper | | | | Inorganic Glass Fibre | | | Water Absorbing |
|---------------------------------|---|---|---|---|--|---|---|---|
| | SF-6520 | SF-6521 | SF-6510 | SF-6511 | SF-6549 | SF-6505 | SF-6504 | SF-6520-W |
| |  |  |  |  |  |  |  |  |
| Length L (mm/in) | 147 5.76 | 204 8.00 | 147 5.76 | 204 8.00 | 147 5.76 | 147 5.76 | 147 5.76 | 133 5.25 |
| β-Ratio | $\beta_{10} \geq 2$ | $\beta_{10} \geq 2$ | $\beta_{25} \geq 2$ | $\beta_{25} \geq 2$ | $\beta_3 \geq 200$ | $\beta_{12} \geq 200$ | $\beta_{25} \geq 200$ | $\beta_{10} \geq 2$ |
| Dirt Holding Capacity ACFTD (g) | 14.4 | 22 | 20.4 | 31.2 | 19 | 11 | 26 | Water holding capacity 162 ml 5.5 oz |
| Carton Quantity | 12 | 12 | 12 | 12 | 12 | 12 | 12 | 12 |
| Carton Weight (kg/lbs) | 6,3 | 8,4 | 6,4 | 8,8 | 8,6 | 8,6 | 8,6 | 8,6 |
| | 13.9 | 18.5 | 14.2 | 19.4 | 19 | 19 | 19 | 19 |



Spin-On Elements - Type SF-67


Dimensions in mm / in


Product Description

STAUFF SF-67-series Spin-On Elements are used with the STAUFF SSF-20L/100/120/120L/130/150/160/180 and SSF-24B/24N/24S/25B/25FM/25 Spin-On Filters.

Technical Data
Connection Thread

- 1-1/2-16 UN

Seal Contour

- Type B (see page 151)

Sealing Material

- NBR (Buna-N®)

Operating Pressure

- Max. 14 bar / 200 PSI
- SF-6721-W: Max. 7 bar / 101.5 PSI

Differential Pressure

- Max. 5.5 bar / 80 PSI
- (for any application without bypass valve)

Burst Pressure

- Min. 20 bar / 290 PSI

Temperature Range

- -30 °C ... +100 °C / -22 °F ... +212 °F

Media Compatibility

- Mineral oils, other fluids on request

Dimensions

| Order Code | Inorganic Glass Fibre | | | | | | | | |
|---------------------------------|-----------------------|----------------------|----------------------|----------------------|----------------------|-----------------------|-----------------------|-----------------------|-----------------------|
| | SF-6702-MG | SF-6703-MG | SF-6704-MG | SF-6706-MG | SF-6707-MG | SF-6730-MG | SF-6731-MG | SF-6728-MG | SF-6726-MG |
| | | | | | | | | | |
| Length L (mm/in) | 270 10.6 | 168 6.6 | 270 10.6 | 168 6.6 | 270 10.6 | 168 6.6 | 270 10.6 | 168 6.6 | 270 10.6 |
| Diameter Ø (mm/in) | 129 5.08 | 129 5.08 | 129 5.08 | 129 5.08 | 129 5.08 | 129 5.08 | 129 5.08 | 129 5.08 | 129 5.08 |
| β-Ratio | β ₁ ≥ 200 | β ₃ ≥ 200 | β ₃ ≥ 200 | β ₆ ≥ 200 | β ₆ ≥ 200 | β ₁₂ ≥ 200 | β ₁₂ ≥ 200 | β ₂₅ ≥ 200 | β ₂₅ ≥ 200 |
| Dirt Holding Capacity ACFTD (g) | 30 | 31 | 47 | 35 | 54 | 38 | 59 | 50 | 76 |
| Carton Quantity | 6 | 6 | 6 | 6 | 6 | 6 | 6 | 6 | 6 |
| Carton Weight (kg/lbs) | 11,8 26.1 | 8,2 18 | 11,8 26.1 | 8,2 18 | 11,8 26.1 | 8,2 18 | 11,8 26.1 | 8,2 18 | 11,8 26.1 |

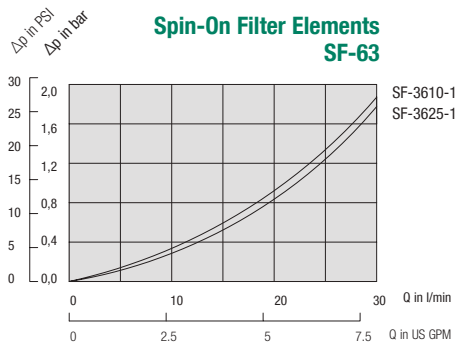
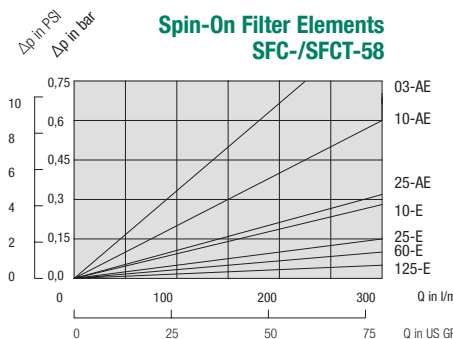
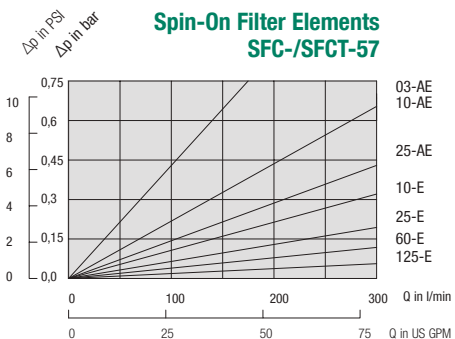
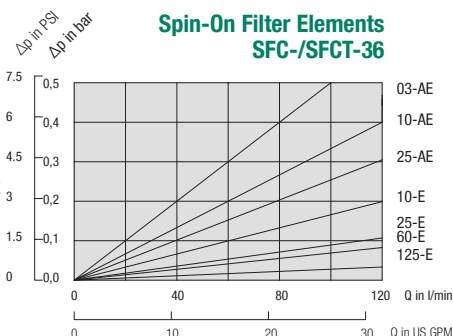
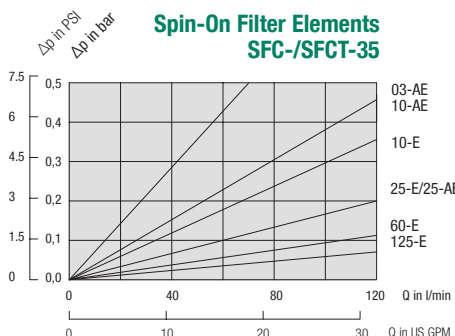
| Order Code | Filter Paper | | | | Stainless Wire Mesh | | Water Absorbing |
|---------------------------------|---------------------|---------------------|---------------------|---------------------|---------------------|---------------|--|
| | SF-6720 | SF-6721 | SF-6710 | SF-6711 | SF-6790 | SF-6791 | SF-6721-W |
| | | | | | | | |
| Length L (mm/in) | 168 6.6 | 270 10.6 | 168 6.6 | 270 10.6 | 168 6.6 | 270 10.6 | 270 10.6 |
| Diameter Ø (mm/in) | 128,5 5.06 | 128,5 5.06 | 128,5 5.06 | 128,5 5.06 | 128,5 5.06 | 128,5 5.06 | 128,5 5.06 |
| β-Ratio | β ₁₀ ≥ 2 | β ₁₀ ≥ 2 | β ₂₅ ≥ 2 | β ₂₅ ≥ 2 | n/a | n/a | β ₁₀ ≥ 2 |
| Dirt Holding Capacity ACFTD (g) | 34 | 62 | 34 | 62 | n/a | n/a | Water holding capacity 444 ml / 15 oz |
| Carton Quantity | 6 | 6 | 6 | 6 | 6 | 6 | 6 |
| Carton Weight (kg/lbs) | 6,6 14.6 | 7,9 17.5 | 6,7 14.9 | 9,3 20.6 | 8,2 18 | 11,8 26.1 | 11,8 26.1 |



Spin-On Elements ▪ Type SFC/SFCT-35/36, SFC/SFCT-57/58 and SF-63

The following characteristics are valid for mineral oils with a density of 0,85 kg/dm³ and the kinematic viscosity of 30 mm²/s (30 cSt). The characteristics have been determined in accordance to ISO 3968. SFC-35/36 series Spin-On Elements are used with STAUFF SSF-12 Spin-On Filters, SFCT-35/36 series Spin-On Elements are used with STAUFF SSFT-12 Spin-On Filters, SFC-57/58 series Spin-On Elements are used with STAUFF SSF-20/24/25/100/120/130/160 Spin-On Filters, SFCT-57/58 series Spin-On Elements are used with STAUFF SSFT-20 Spin-On Filters and SF-63 series Spin-On Elements are used with STAUFF SLF-02/03/04 Spin-On Filters.

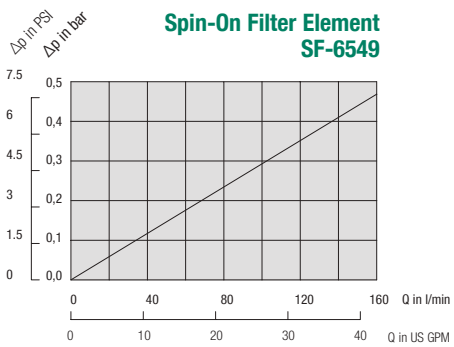
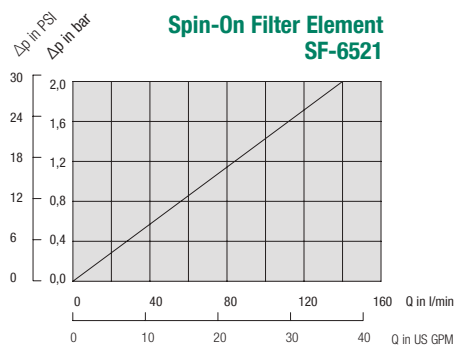
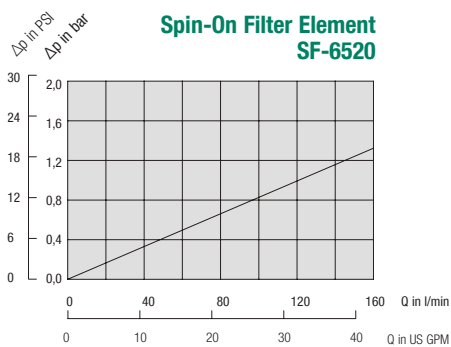
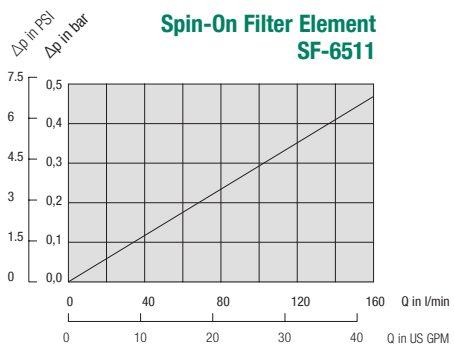
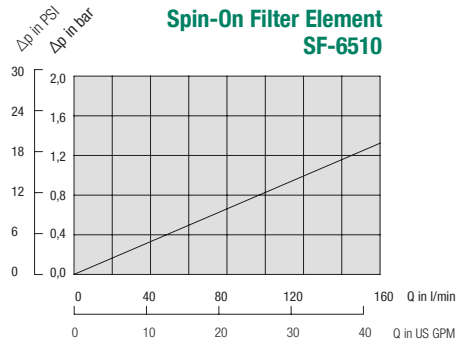
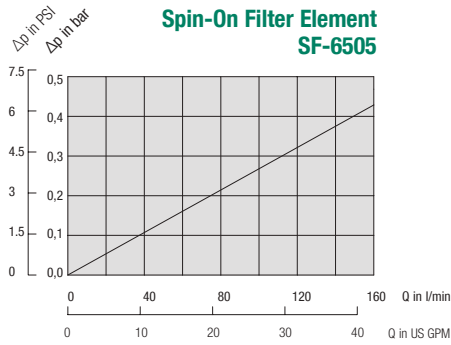
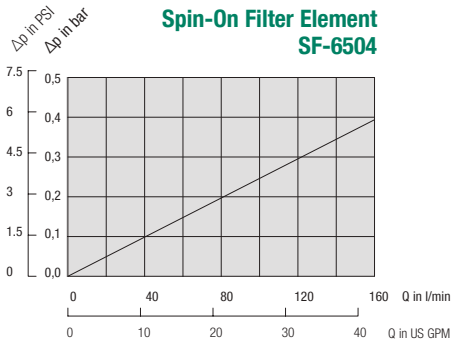
F



Spin-On Elements ■ Type SF-65

The following characteristics are valid for mineral oils with a density of 0,85 kg/dm³ and the kinematic viscosity of 30 mm²/s (30 cSt).

The characteristics have been determined in accordance to ISO 3968. SF-65 Spin-On Elements are used with the STAUFF SAF-05/06/07/10/11/13 Spin-On Filters.



F



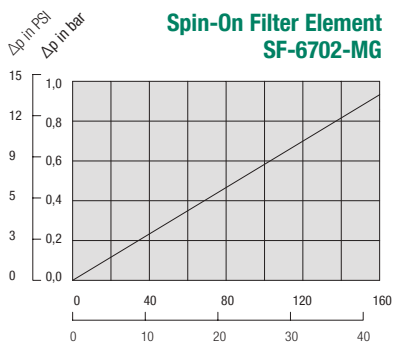
Spin-On Elements ▪ Type SF-67

The following characteristics are valid for mineral oils with a density of 0,85 kg/dm³ and the kinematic viscosity of 30 mm²/s (30 cSt).

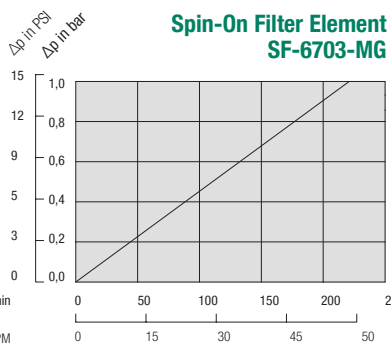
The characteristics have been determined in accordance to ISO 3968. SF-67 Spin-On Elements are used with the STAUFF SSF-20/24/25/100/120/130/160/150/180 Spin-On Filters.

F

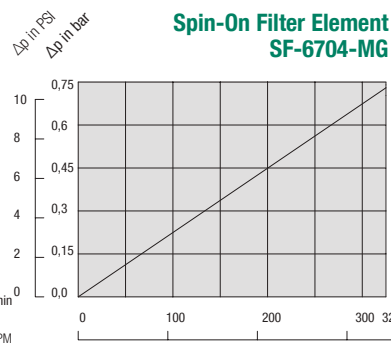
Spin-On Filter Element SF-6702-MG



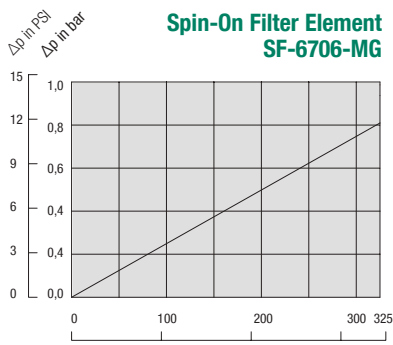
Spin-On Filter Element SF-6703-MG



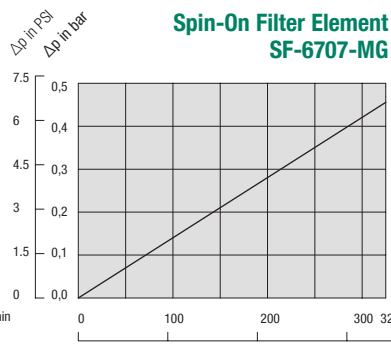
Spin-On Filter Element SF-6704-MG



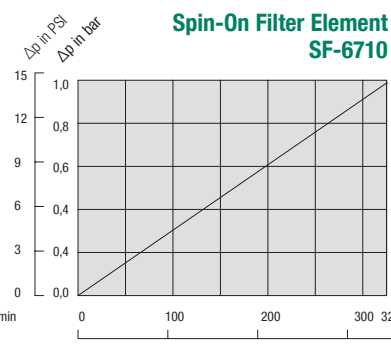
Spin-On Filter Element SF-6706-MG



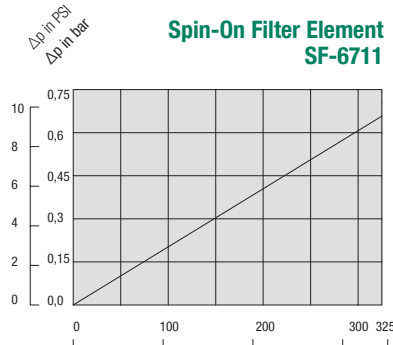
Spin-On Filter Element SF-6707-MG



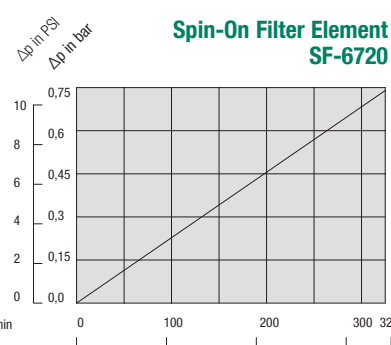
Spin-On Filter Element SF-6710



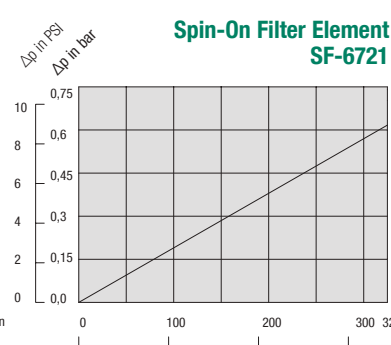
Spin-On Filter Element SF-6711



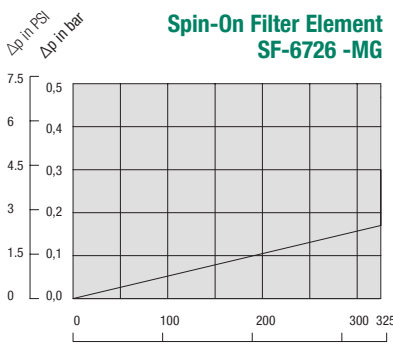
Spin-On Filter Element SF-6720



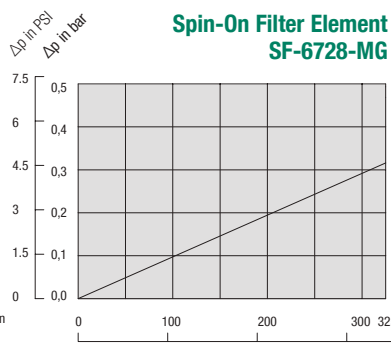
Spin-On Filter Element SF-6721



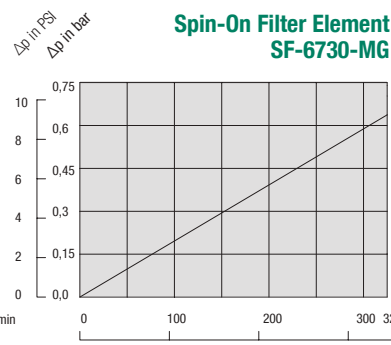
Spin-On Filter Element SF-6726 -MG



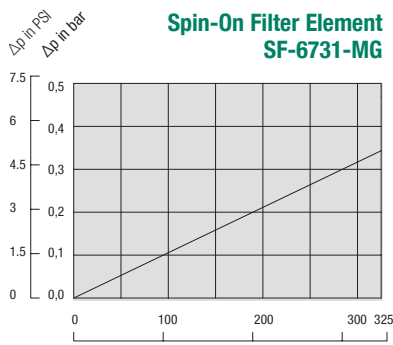
Spin-On Filter Element SF-6728-MG



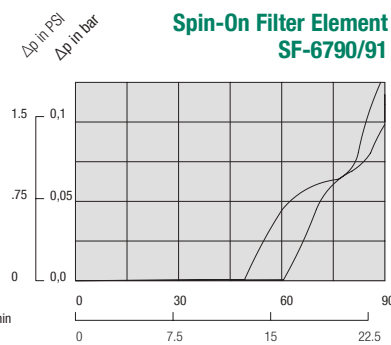
Spin-On Filter Element SF-6730-MG



Spin-On Filter Element SF-6731-MG



Spin-On Filter Element SF-6790/91



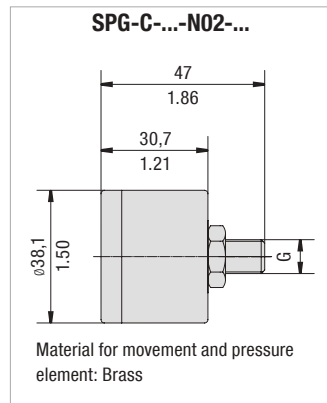
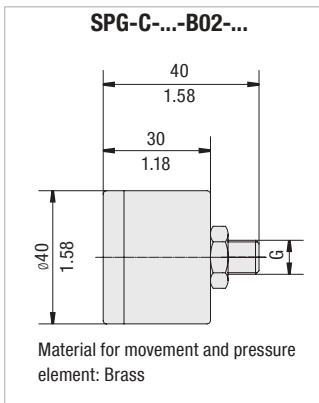
SF6790

SF6791



Clogging Indicators

Visual Indicators



SPG-C-...-B02-...



SPG-C-...-N02-...



SPG-C-...-B02-...



SPG-C-...-N02-...

| Visual Pressure Clogging Indicators (for Spin-On Filter in Return-Line applications) | | | | | | | Order Code |
|--|--------------|---------------|----------------|---------------------------|-------------|-------------|---------------------------------------|
| Thread | Connection G | Unit of scale | Range of scale | Coloured Segments | | | |
| | | | | Green | Yellow | Red | |
| BSP | 1/8 | bar | 0 ... 2,5 | 0 ... 1,2 | 1,2 ... 1,5 | 1,5 ... 2,5 | SPG-C-040-00002.5-02-P-B02-402923 |
| | 1/8 | bar | 0 ... 4 | 0 ... 2,5 | 2,5 ... 3 | 3 ... 4 | SPG-C-040-00004-02-P-B02-402922 |
| | 1/8 | bar | 0 ... 12 | without coloured segments | | | SPG-C-040-00012-02-P-B02 |
| NPT | 1/8 | PSI | 0 ... 100 | 0 ... 13 | 13 ... 15 | 15 ... 100 | SPG-C-040-00100-03-P-N02-402927 |
| | 1/8 | PSI | 0 ... 100 | 0 ... 21 | 21 ... 25 | 25 ... 100 | SPG-C-040-00100-03-P-N02-402928 |
| Visual Vacuum Clogging Indicators (for Spin-On Filter in Suction-Line applications) | | | | | | | Order Code |
| | | | | | | | |
| BSP | 1/8 | cm Hg | -76 ... 0 | -13 ... 0 | -18 ... -13 | -76 ... -18 | SPG-C-040-(-76)-00000-22-P-B02-402924 |
| | 1/8 | in Hg | -30 ... 0 | -4 ... 0 | -6 ... -4 | -30 ... -6 | SPG-C-040-(-30)-00000-23-P-N02-402925 |
| NPT | 1/8 | in Hg | -30 ... 0 | -9 ... 0 | -11 ... -9 | -30 ... -11 | SPG-C-040-(-30)-00000-23-P-N02-402926 |

Order Code

Electrical Clogging Switch

Limit-Switch - G42NO - S - B02 - B1.3

①

②

③

④

⑤

① Type

Limit-Switch

② Connector Type

| | |
|--|--------------|
| Electrical Clogging Switch 42 V, NO | G42NO |
| Electrical Clogging Switch 42 V, NC | G42NC |
| Electrical Clogging Switch 110 V ... 230 V, two-way contact (only for Plug Type W) | G230 |

③ Plug Type

| | |
|--|------------|
| M12 Five-Pin Connector according to IEC 61076-2-101 | M12 |
| AMP-Junior-Timer Plug | A |
| DEUTSCH Plug DT04-2P | D |
| Rubber boot | S |
| 90 degree Polyamide cap (only for Connector Type G230) | W |

④ Thread Type

| | |
|---------|------------|
| 1/8 BSP | B02 |
| 1/8 NPT | N02 |

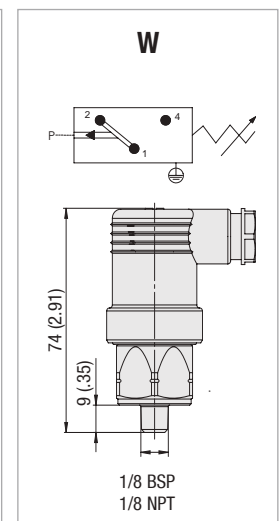
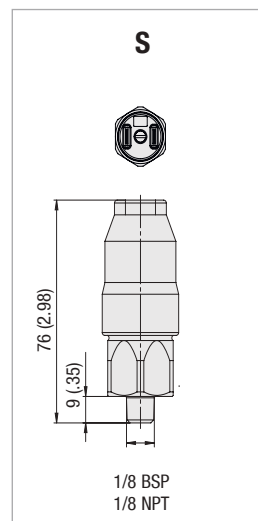
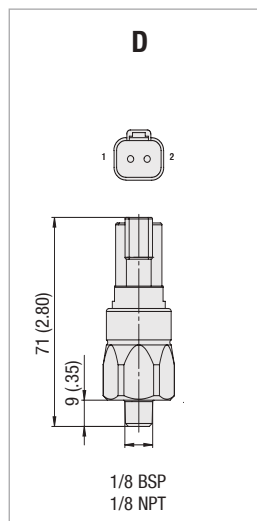
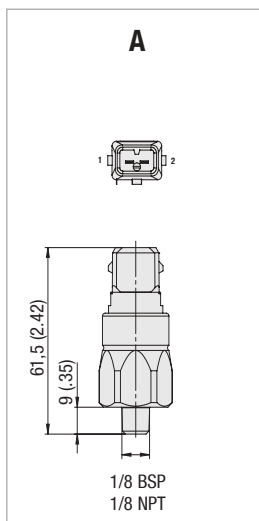
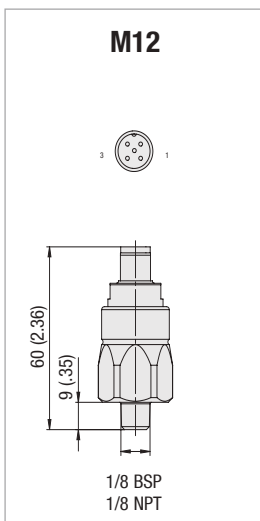
⑤ Pressure Setting

| | |
|-----------------------|--------------|
| 1,3 bar / 18.8 PSI | B1.3 |
| -0,1 bar / -1.45 PSI* | B-0.1 |

*only for Plug Type W and Connector Type G230

Note: Technical Data for Limit-Switch types please see Page 73.

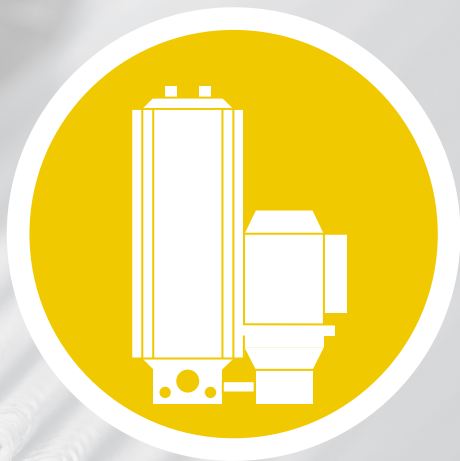
Dimensions Plug Type








Note: The customer / user carries the responsibility for the electrical connection.

Dimensional drawings: All dimensions in mm/in.





| | | | | | | |
|---|--|-------------|---|---|-----------------------|------------------|
| | Overview Offline and Bypass Filters | 180 |  | Bypass Filters | BPS | 199 - 202 |
| | STAUFF System | 181 | | Overview | | 199 |
| | Offline and Bypass Filters Replacement Elements | 182 | | Technical Data / Dimensions | | 200 - 201 |
|  | Offline Filters | OLS | 183 - 188 | Order Code - Bypass Filter | | 201 |
| | Overview | | 183 | Order Code - Filter Elements | | 201 |
| | Technical Data / Dimensions | | 184 - 187 | Hydraulic Symbols / Flow Characteristics for OLS / BPS | | 202 |
| | Order Code - Offline Filter | | 188 |  | Mini Water Vac | SMWV |
| | Order Code - Filter Elements | | 188 | Overview | | 204 |
|  | Water Absorbing Offline Filters | OLSW | 189 - 194 | Technical Data / Dimensions | | 204 - 205 |
| | Overview | | 189 | Order Code - Offline Filter | | 205 |
| | Technical Data / Dimensions | | 190 - 193 | | | |
| | Order Code - Water Absorbing Offline Filter | | 194 | | | |
| | Order Code - Filter Elements | | 194 | | | |
| | Order Code - Pre-Filter Elements | | 194 | | | |
|  | Heated Offline Filters | OLSH | 195 - 198 | | | |
| | Overview | | 195 | | | |
| | Technical Data / Dimensions | | 196 - 197 | | | |
| | Order Code - Offline Filter | | 198 | | | |
| | Order Code - Filter Elements | | 198 | | | |



Product Description

STAUFF Offline and Bypass Filter Systems are designed to keep hydraulic and lubrication systems free of particles and water contamination. STAUFF OLS and BPS Units utilize the STAUFF Systems concept for the removal of contamination from hydraulic and lubrication systems. Desiccant Air Breathers, which clean and dry the air entering the reservoir, are also part of this contamination removal system.

STAUFF Systems will provide optimal system cleanliness for today's sophisticated hydraulic and lubrication systems.

- Increased flow capacity and dirt-hold capacity
- Prevention of channel forming by radial filtration direction
- Extremely clean oil due to the high filtration efficiency $\beta_{0,5} \geq 200$, $\beta_2 \geq 2330$
- Compact and easy-maintenance design
- Longer usage life for oil and components

Material

- Housing: Anodized Aluminium, available with one, two or four filter housings in two different length

Housing Pressure

- Max. 20 bar / 290 PSI

System Volume

- Max. 10800 l / 2853 US GAL

Connections

- G3/8, G1/2 and G3/4, Fitting with 18L connection

Differential Pressure

- Max. 6,2 bar / 90 PSI

Temperature

- Max. +80 °C / +176 °F media temperature

Media Compatibility

- Mineral and lubrication oils, others on request

Options and Accessories

Clogging Indicators

- Visual Clogging Indicators

G



Type OLS

- Offline Filter System with intergrated motor/pump unit
- Availab Special designed for industrial applications



Type BPS

- Bypass filter units are especially designed for mobile
- Applications in hydraulic and/or transmission systems
- No special motor-pump unit is required



Type OLSW

- Water absorbing filter elements with large water holding capacity



Type SMWV

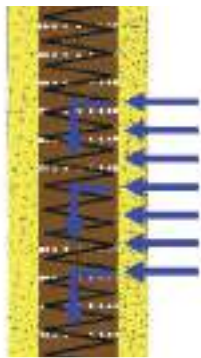
- Designated oil purification unit, it dehydrates and cleans most types of oils such as lubricating, hydraulic, transformer and switch oils
- Efficient water, gas and particle removal
- System volume: max. 3.000 l / 795 gal
- Recirculating flow rate: 90 l/h / 23.8 gal/hr
- Backpressure: max. 1 bar / 14.5 PSI
- Extension of fluid life
- Reduces fluid disposal
- Minimizes corrosion
- Reduced failures and downtime
- Reduce operating costs



Type OLSH

- Pre-heating unit and extremely efficient filter elements
- Increased flow capacity




Filter Element SRM-30/-60

Filter Element Design

Air Conditioners SDB / SVDB

System Contamination

In today's hydraulic market it is an accepted fact that contamination causes 70 % of all mechanical failures. This contamination results from the presence of solid particles such as metal, sand and rubber.

Changes in temperature cause water vapour to condense, resulting in unwanted water in the oil, the presence of this water accelerates the deterioration of the oil.

Mainstream filters are incapable of removing particles, smaller than 2 micron (better known as silt). Fluctuations in pressure and flow result in changing conditions preventing these filters from carrying out fine filtration; most of the silt remains in the system affecting the chemical composition of the oil.

All these problems lead to reduced oil life and increased component wear, maintenance costs and machine downtime.

Removing silt and preventing the formation of free water will combat these problems.

Micro Filtration

At the heart of the STAUFF Offline and Bypass Filter Unit is the unique microfilter element. This filter is designed with a radial flow path.

The element is constructed with 0,5 micron media and is therefore able to remove the smallest particles (silt) from the oil.

The filter material is composed primarily of cellulose, which is applied by a special wrapping method. Glass Fibre and water absorbing elements with 3-20 µm are available on request.

The cellulose material is capable of retaining solid particles and absorbing water. This helps to prevent chemical deterioration of the oil and the formation of various acids and sludge.

Hydraulic cylinder extension for example, can draw air, solid contamination particles and water vapour into the oil reservoir.

The water vapour condenses due to temperature changes and causes not only oxidation of the oil, but can also lead to serious mechanical wear in the system.

Air Conditioning

Standard air filters remove a certain amount of solid particle contamination from the air but allow water vapour, to pass through.

The STAUFF "Air conditioners" type SDB and SVDB ensure that incoming air is first dried and then filtered. The SDB and SVDB units should be used in conjunction with the OLS / BPS Systems in order to provide a more complete filtering system. See Catalogue No. 10 - Hydraulic Accessories for more details.

Advantages

- Less malfunction
- Protection of expensive main stream filters
- Less frequent oil changes
- Extended usable life of the oil
- Less machine downtimes

Characteristics

- A filter fineness of 0,5 micron $B_{0,5} \geq 200$, $B_2 \geq 2330$
- Large particle collection capacity
- High filtration capacity due to depth effect
- Large water adsorption capacity
- Do not adversely affect viscosity or additives
- Do not remove additives
- Reduce the oxidation process
- Reduce the forming of acids
- With two measuring points for particle counter or oil sampling
- Save Cost

Applications

- | | |
|---|---|
| <ul style="list-style-type: none"> ▪ Mining ▪ Harvesting ▪ Forestry ▪ Agricultural ▪ Off-road ▪ Fishing ▪ Road construction ▪ Cranes ▪ Airport equipment ▪ Flight simulators ▪ Pulp and paper ▪ Food processing | <ul style="list-style-type: none"> ▪ Presses ▪ Automotive industry ▪ Timber plants ▪ Plastic and rubber ▪ Metal industry ▪ Cement and concrete ▪ Material handling ▪ Bridges/Hydraulic locks/Water works ▪ Petrochemical industry ▪ Power stations ▪ Marine ▪ Steel |
|---|---|

G


Offline and Bypass Filters Replacement Elements - Type SRM

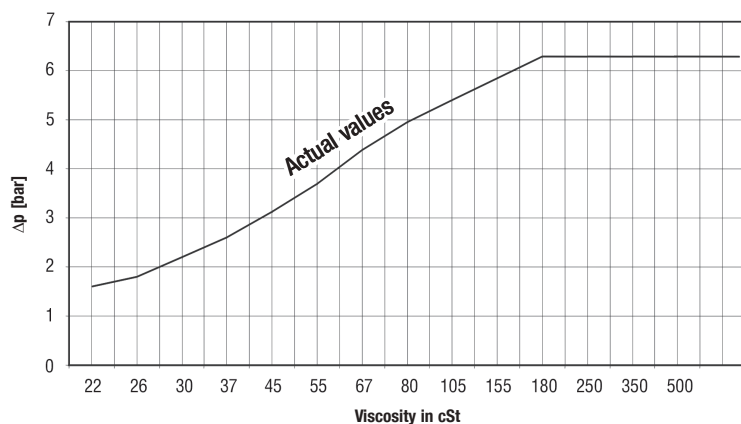
Filter Element Technical Data

| Element Model | SRM-30-H-B | SRM-60-H-B | SRM-30-E-01-B | SRM-60-E-01-B | SRM-30-E-03-B | SRM-60-E-03-B | SRM-30-EA | SRM-60-EA |
|-------------------------------------|-----------------------------------|---------------------|--------------------|--------------------|--------------------|--------------------|-------------------------|-------------------------|
| Filter Material | Cellulose | Cellulose | Glass fibre | Glass fibre | Glass fibre | Glass fibre | Glass fibre and Polymer | Glass fibre and Polymer |
| Filtration Efficiency | $\beta_2 \geq 2331$ | $\beta_2 \geq 2331$ | $\beta_1 \geq 200$ | $\beta_1 \geq 200$ | $\beta_3 \geq 200$ | $\beta_3 \geq 200$ | $\beta_3 \geq 200$ | $\beta_3 \geq 200$ |
| Water Absorption Capacity | 150 ml | 300 ml | N/A | N/A | N/A | N/A | 350 ml | 700 ml |
| | 5 oz | 10 oz | | | | | | |
| Nominal Flow per Element | 2,1 l/min | 4,2 l/min | 2,1 l/min | 4,2 l/min | 2,1 l/min | 4,2 l/min | 2,1 l/min | 4,2 l/min |
| | .6 GPM | 1.2 GPM | .6 GPM | 1.2 GPM | .6 GPM | 1.2 GPM | .6 GPM | 1.2 GPM |
| Max. Viscosity at Nominal Flow Rate | 180 cSt | 180 cSt | 800 cSt | 800 cSt | 800 cSt | 800 cSt | 800 cSt | 800 cSt |
| Max. Oil Temperature | +80 °C | +80 °C | +80 °C | +80 °C | +80 °C | +80 °C | +80 °C | +80 °C |
| | +176 °F | +176 °F | +176 °F | +176 °F | +176 °F | +176 °F | +176 °F | +176 °F |
| Length of Element | 300 mm | 600 mm | 300 mm | 600 mm | 300 mm | 600 mm | 300 mm | 600 mm |
| | 11.8 in | 23.6 in | 11.8 in | 23.6 in | 11.8 in | 23.6 in | 11.8 in | 23.6 in |
| Sealing Material (Standard) | NBR (Buna-N®) and Silicone Rubber | | NBR (Buna-N®) | | NBR (Buna-N®) | | NBR (Buna-N®) | |
| Other Sealing Material | Contact STAUFF | | | | | | | |
| Fluid Compatibility: | | | | | | | | |
| --Mineral Oils | | | | | | | | |
| H, HI, HLP, HVLP | OK | | OK | | OK | | OK | |
| -- Biodegradable Oils | | | | | | | | |
| HEPG Polyethyleneglycol | Contact STAUFF | | | | | | | |
| HEES Synthetic ester | OK | | OK | | OK | | OK | |
| HETG Vegetable seed oil | Contact STAUFF | | | | | | | |
| -- Fire Inhibiting Fluids | | | | | | | | |
| HFA emulsions | NO | | OK | | OK | | NO | |
| HFC glycol/water solution | NO | | OK | | OK | | NO | |
| HFD fluids no water content | Contact STAUFF | | | | | | | |
| Approximate Weight | 0,8 kg | | 1,25 kg | | 1,25 kg | | 1,25 kg | |
| | 1.8 lb | | 2.8 lb | | 2.8 lb | | 2.8 lb | |

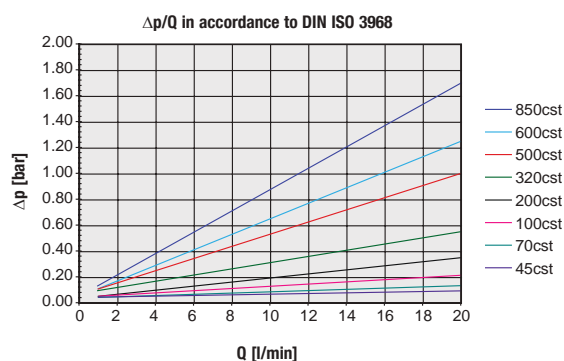
G

Filter Element SRM-30-H-B Δp / viscosity - graph

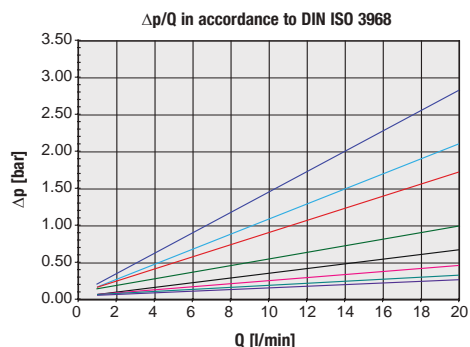
(at a flow of 2,1 l/min / .6 US GPM per element)



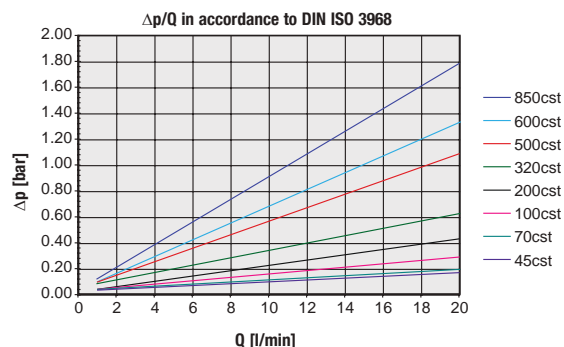
Filter Element SRM-30-E-03-B Δp / Viscosity-Graph



Filter Element SRM-30-E-01-B Δp / Viscosity-Graph



Filter Element SRM-30-EA Δp / Viscosity-Graph



Offline Filters - Type OLS
Product Description

STAUFF Offline Filter Units can be applied to every imaginable industrial application where hydraulic or lubrication systems are present.

An integrated motor/pump unit draws fluid out of the tank, filters it and pumps clean oil back into the system. Offline Filter Units can continue to work even if the main system is not in use. The standard range offers filter units for reservoirs with a capacity of up to 10800 l / 2853 gal.

Over the years, STAUFF Systems have developed considerable experience in the hydraulic and lubrication market cleaning systems to levels not previously possible with conventional methods.

The OLS is available with one, two or four filter housings and in two different lengths. The maximum flow for the Offline Unit goes from 2,1 ... 17 l/min / .55 ... 4.5 US GPM at a viscosity between 20 ... 160 cSt. For the OLS you can choose several different motor/pump units, for more information please see page 188 (Order code).

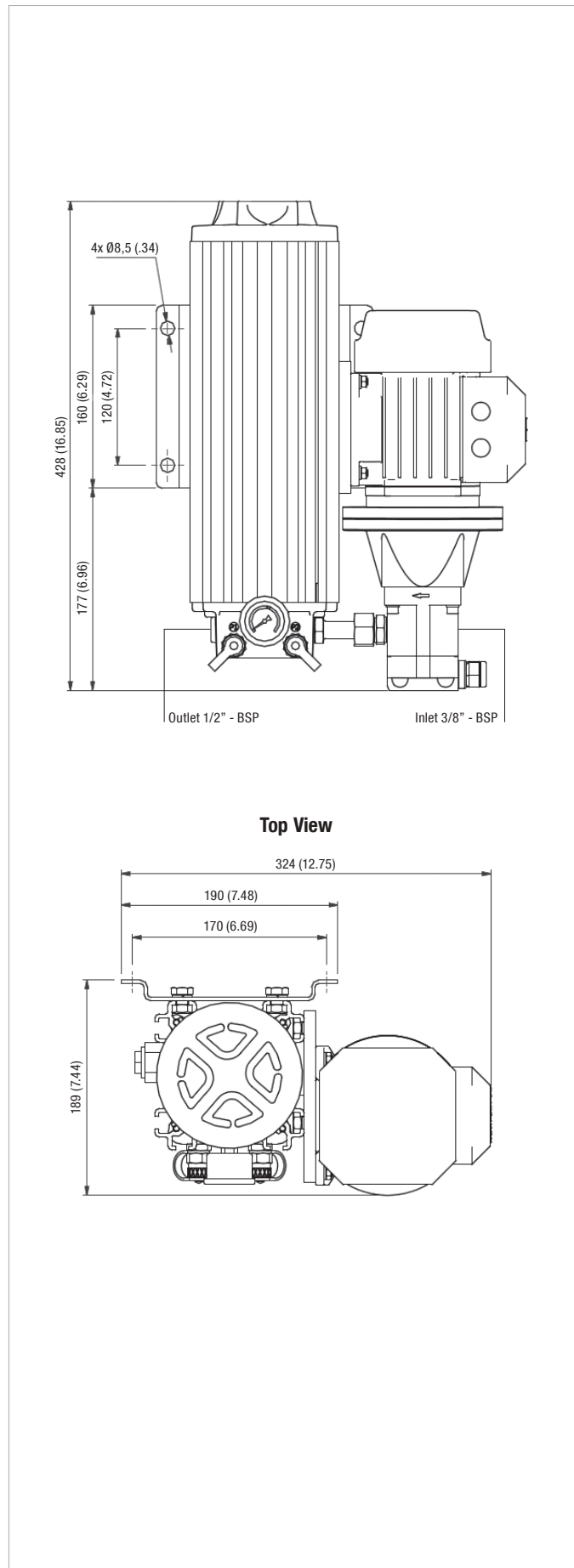
All Offline Filter Systems are available with air driven motors. These units are ideal for areas where electric power is unavailable or for hazardous locations.

Single Length (see page 184 / 185)

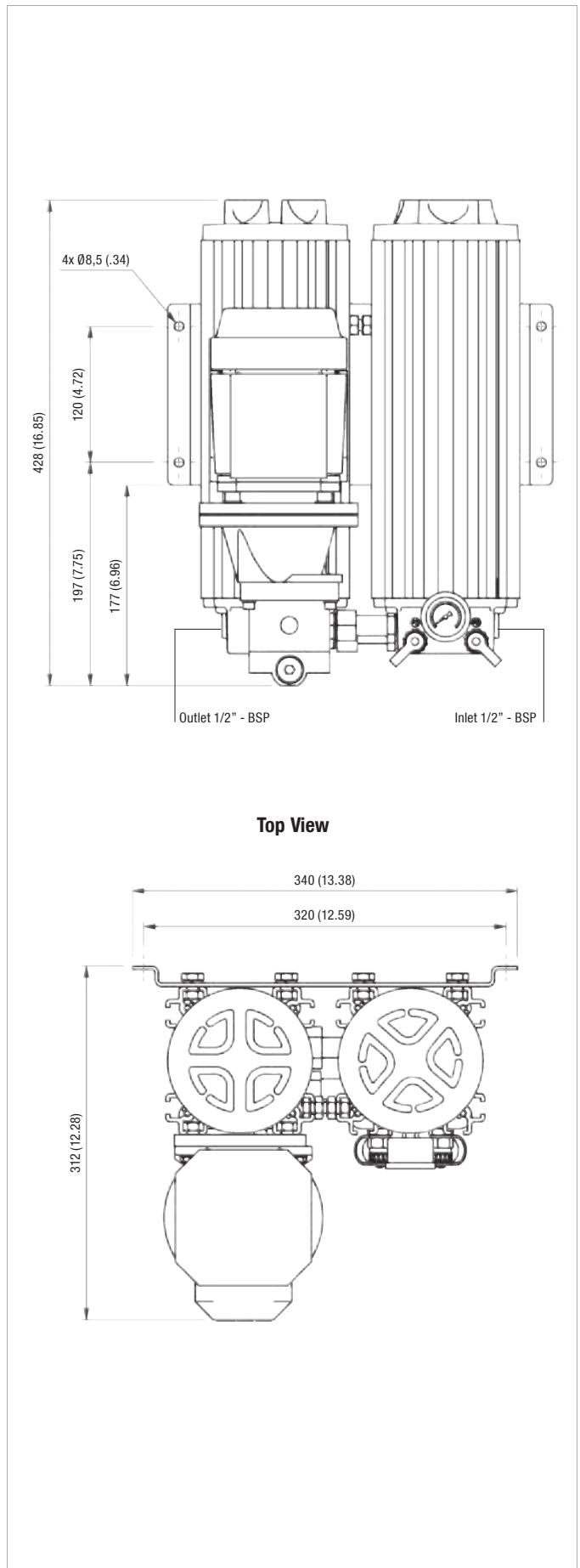
G
Double Length (see page 186 / 187)


Offline Filters ■ Type OLS

Dimensions OLS-1-30-H-B



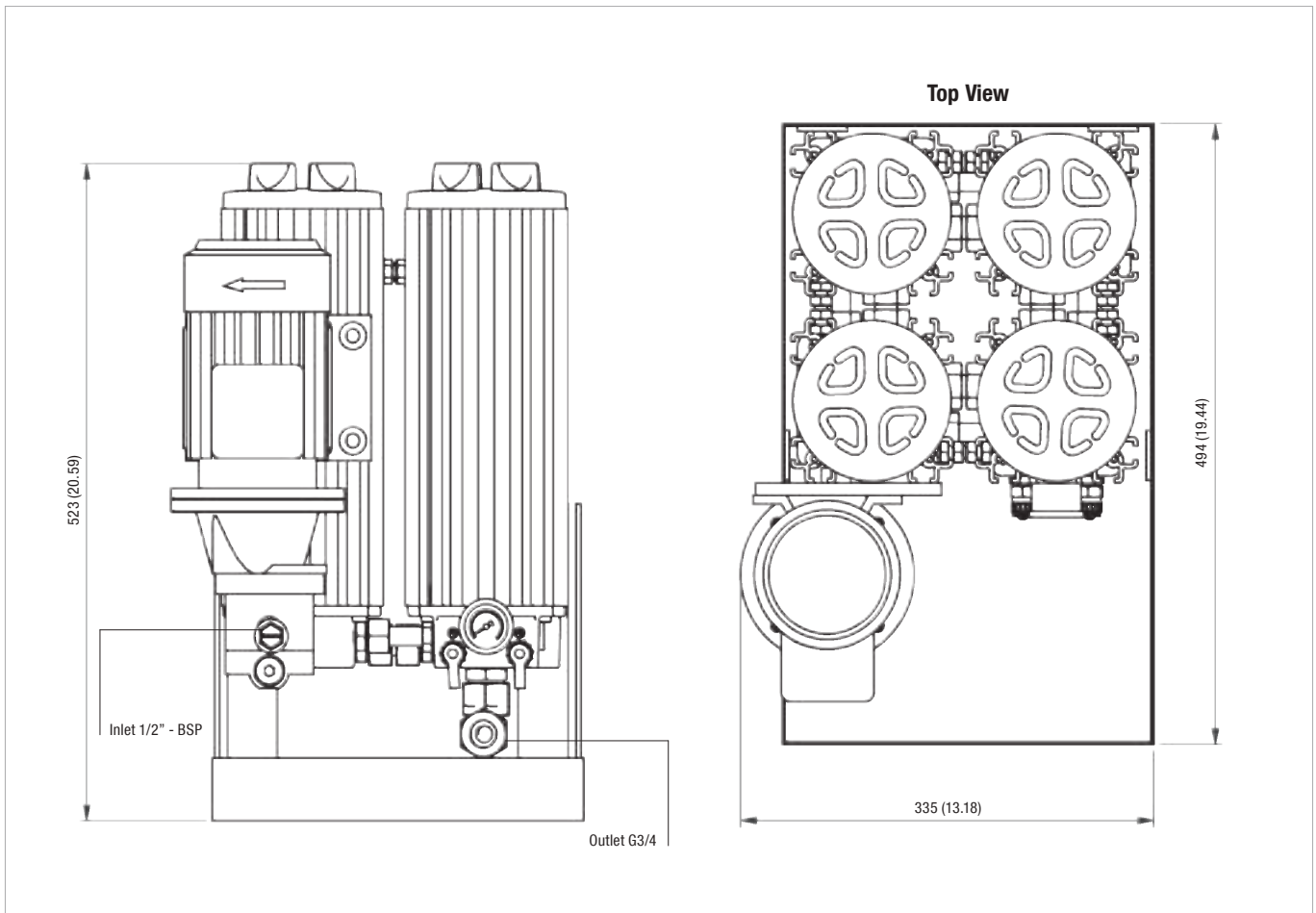
Dimensions OLS-2-30-H-B



G

All dimensions in mm / in



Dimensions OLS-4-30-H-B


All dimensions in mm / in

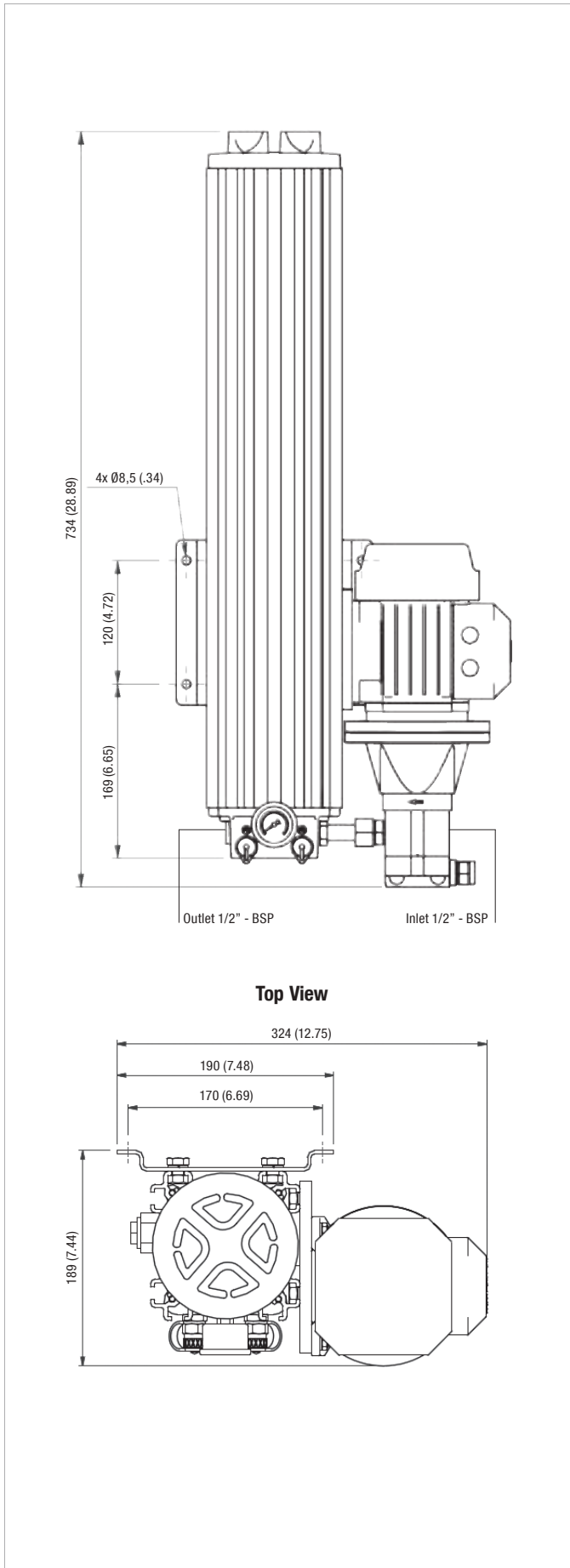
Technical Data

| | OLS-1-30-H-B | OLS-2-30-H-B | OLS-4-30-H-B |
|---|---|--|--|
| Number of Filter Housings | 1 | 2 | 4 |
| Nominal Flow | 2,1 l/min .55 US GPM | 4,2 l/min 1.1 US GPM | 8,4 l/min 2.22 US GPM |
| Max. Differential Pressure | 6,2 bar 90 PSI | | |
| Max. Fluid Temperature | +80 °C +176 °F | | |
| Max. Housing Pressure | 20 bar 290 PSI | | |
| Viscosity Range | 20 ... 160 cSt 100 ... 750 SUS | | |
| Connection Suction Side | G3/8 | G1/2 | |
| Connection Return Side | G1/2 | | G3/4 |
| Hose Diameter | 1/2 in (inner diameter) flexible hose | | 3/4 in (inner diameter) flexible hose |
| Weight (Including Element) | 14 kg 30.9 lbs | 21 kg 46.3 lbs | 39 kg 86 lbs |
| Max. System Volume | 1350 l 356 gal | 2700 l 713 gal | 5400 l 1426 gal |
| Dimensions H x W x D | 428 x 324 x 189 mm 16.85 x 12.75 x 7.44 in | 428 x 340 x 312 mm 16.85 x 13.38 x 12.28 in | 523 x 494 x 335 mm 20.59 x 19.44 x 13.18 in |
| Connection for Online Particle Counter | STAUFF Test (M16 x 2) | | |
| Pump | Gear pump | | |
| Motor | See page 188 for electric motor details | | |
| Connection Oil-Analysis: P1 filter inlet side P2 filter outlet side | Test connector (M16 x 2) Red Test connector (M16 x 2) Yellow | | |

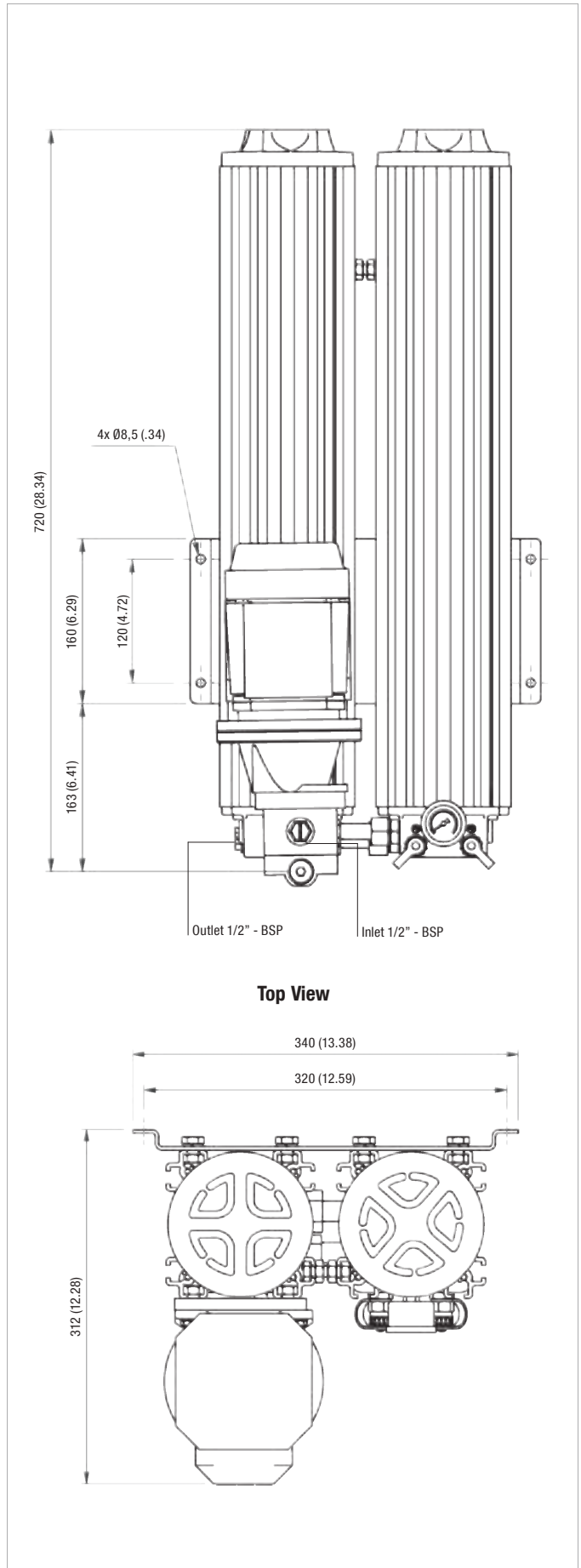
G


Offline Filters - Type OLS

Dimensions OLS-1-60-H-B



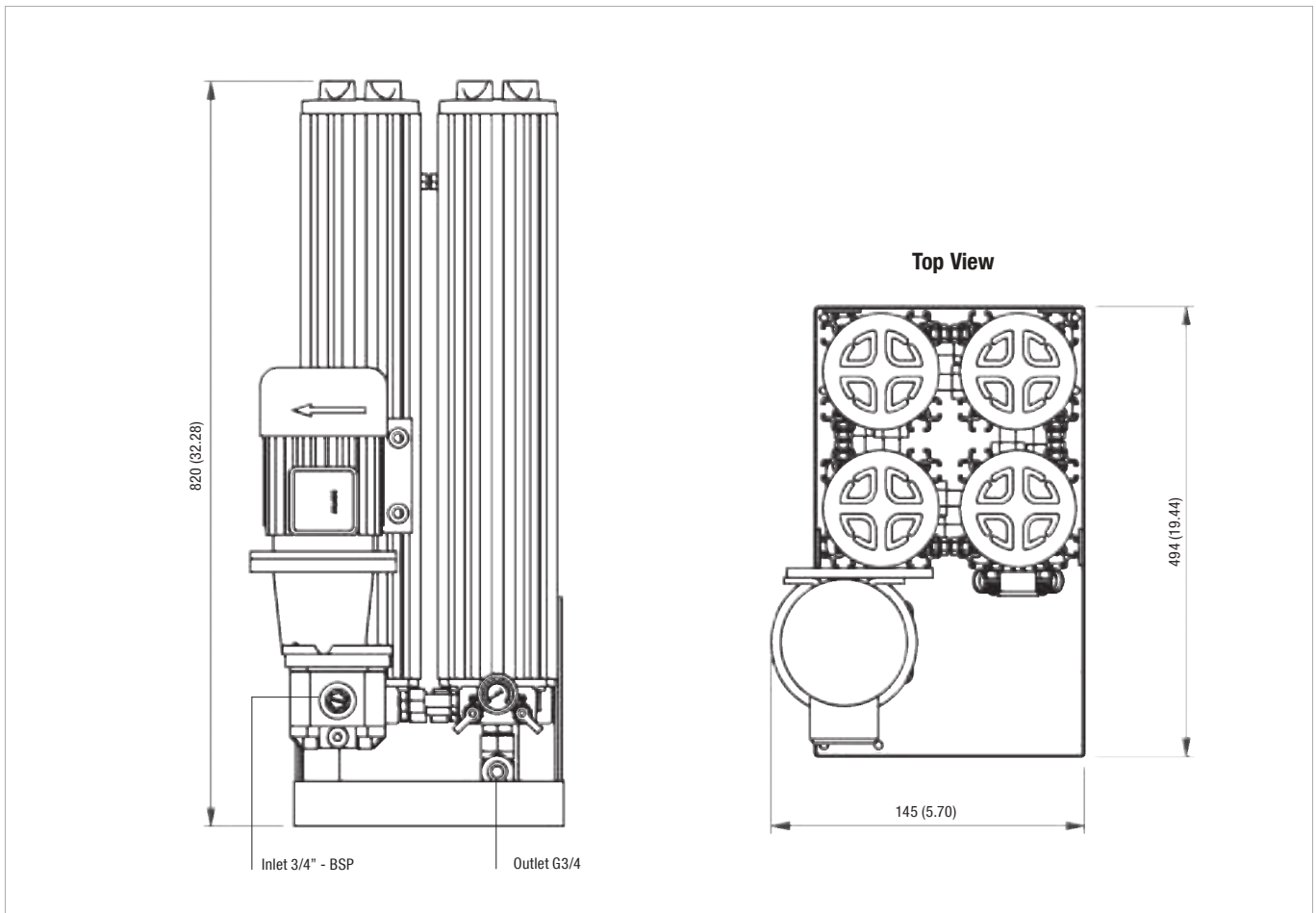
Dimensions OLS-2-60-H-B



G

All dimensions in mm / in



Dimensions OLS-4-60-H-B


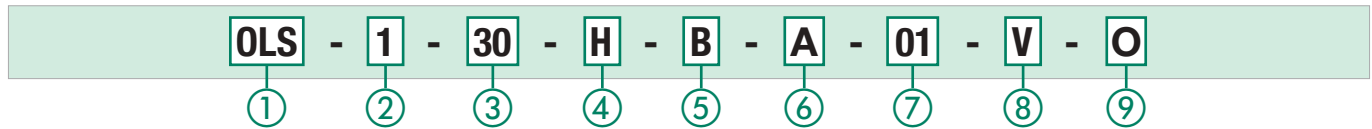
All dimensions in mm / in

Technical Data

| | OLS-1-60-H-B | OLS-2-60-H-B | OLS-4-60-H-B |
|--|---|--|---|
| Number of Filter Housings | 1 | 2 | 4 |
| Nominal Flow | 4,2 l/min 1.1 US GPM | 8,4 l/min 2.22 US GPM | 17 l/min 4.5 US GPM |
| Max. Differential Pressure | 6,2 bar 90 PSI | | |
| Max. Fluid Temperature | +80 °C +176 °F | | |
| Max. Housing Pressure | 20 bar 290 PSI | | |
| Viscosity Range | 20 ... 160 cSt 100 ... 750 SUS | | |
| Connection Suction Side | G1/2 | G1/2 | G3/4 |
| Connection Return Side | G1/2 | | G3/4 |
| Hose Diameter | 1/2 in (inner diameter) flexible hose | | 3/4 in (inner diameter) flexible hose |
| Weight (Including Element) | 18 kg 39.7 lbs | 30 kg 66.1 lbs | 61 kg 134.5 lbs |
| Max. System Volume | 2700 l 713 gal | 5400 l 1426 gal | 10800 l 2853 gal |
| Dimensions H x W x D | 734 x 324 x 189 mm 28.66 x 13.19 x 7.48 in | 720 x 340 x 312 mm 28.90 x 13.39 x 12.72 in | 820 x 494 x 145 mm 32.28 x 19.44 x 5.70 in |
| Connection for Online Particle Counter | STAUFF Test (M16 x 2) | | |
| Pump | Gear pump | | |
| Motor | See page 188 for electric motor details | | |
| Connection Oil-Analysis: P1 filter inlet side P2 filter outlet side | Test connector (M16 x 2) Red Test connector (M16 x 2) Yellow | | |

G


Offline Filter Housings / Complete Filters ▪ Type OLS



① Type

| | |
|--|------------|
| Offline Filter Unit (for industrial applications) | OLS |
|--|------------|

② Housing Configuration

| | |
|-------------------|----------|
| Single housing | 1 |
| Twin housing | 2 |
| Quadruple housing | 4 |

③ Filter Element Length

| | |
|-------------------|-----------|
| 300 mm / 11.81 in | 30 |
| 600 mm / 23.62 in | 60 |

④ Filter Material and Micron Rating

| Material | Micron rating µm | Code |
|--|------------------|-------------|
| Cellulose (standard) | 0,5 | H |
| Inorg. glass fibre | 1 | E-01 |
| Inorg. glass fibre | 3 | E-03 |
| Inorg. glass fibre | 5 | E-05 |
| Inorg. glass fibre | 10 | E-10 |
| Inorg. glass fibre | 20 | E-20 |
| Inorg. glass fibre and polymer (water absorption) | 5 | EA |

⑤ Sealing Material

| | |
|--------------------------|----------|
| NBR (Buna-N®) (standard) | B |
| FKM (Viton®) | V |

⑥ E-motor Options

| Motor Type | Code |
|--|----------|
| 230/400 V AC, 50 Hz, three phases, 1360 r/min 255/460 V AC, 60 Hz, three phases, 1630 r/min (50 Hz and 60 Hz standard) | A |
| 230 V AC, 50 Hz, single phase, 1360 r/min | G |
| 110 V AC, 50 Hz, single phase | I |
| 110 V AC, 60 Hz, single phase | J |
| 230 V AC, 60 Hz, single phase, 1630 r/min | H |

Note: Special motors on request.

⑦ Pump Options

| 50 Hz Motor | Standard in | Code |
|--------------|---------------|-----------|
| 1,6 cc/rev. | OLS-1-30 | 00 |
| 3,15 cc/rev. | OLS-2-30/1-60 | 10 |
| 6,1 cc/rev. | OLS-4-30/2-60 | 20 |
| 8,2 cc/rev. | | 30 |
| 11,3 cc/rev. | OLS-4-60 | 40 |
| 0,8 cc/rev. | | 50 |

| 60 Hz motor | Standard in | Code |
|--------------|---------------|-----------|
| 1,25 cc/rev. | OLS-1-30 | 01 |
| 2,5 cc/rev. | OLS-2-30/1-60 | 11 |
| 5,0 cc/rev. | OLS-4-30/2-60 | 21 |
| 6,3 cc/rev. | | 31 |
| 10 cc/rev. | OLS-4-60 | 41 |

⑧ Clogging Indicator

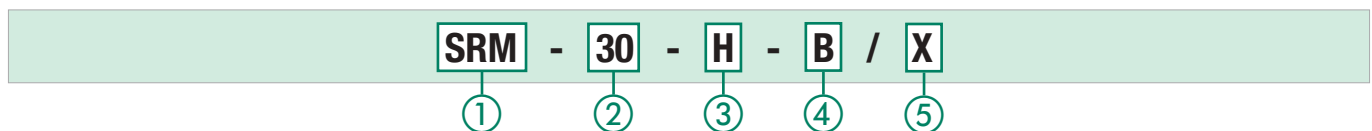
| | |
|---------------------------|----------|
| Visual clogging indicator | V |
|---------------------------|----------|

⑨ Mounting Options

| | |
|---------------------------------|----------|
| No options (standard) | 0 |
| Motor / pump right side mounted | 1 |
| Motor / pump left side mounted | 2 |

G

Filter Elements ▪ Type SRM



① Type

| | |
|-----------------------|------------|
| Filter Element Series | SRM |
|-----------------------|------------|

② Filter Element Length

| | |
|-------------------|-----------|
| 300 mm / 11.81 in | 30 |
| 600 mm / 23.62 in | 60 |

③ Filter Material and Micron Rating

| Material | Micron rating µm | Code |
|--|------------------|-------------|
| Cellulose (standard) | 0,5 | H |
| Inorg. glass fibre | 1 | E-01 |
| Inorg. glass fibre | 3 | E-03 |
| Inorg. glass fibre | 5 | E-05 |
| Inorg. glass fibre | 10 | E-10 |
| Inorg. glass fibre | 20 | E-20 |
| Inorg. glass fibre and polymer (water absorption) | 5 | EA |

④ Sealing Material

| | |
|--------------------------|----------|
| NBR (Buna-N®) (standard) | B |
| FKM (Viton®) | V |

⑤ Design Code

| | |
|----------------------|----------|
| Only for information | X |
|----------------------|----------|

Technical Data on Electric Motors used for OLS Filters (For air driven motors contact STAUFF)

| E-motor | Standard Configuration | Description | Power in kW | Power in HP | Voltage 50 Hz | Amp 50 Hz | RPM 50 Hz | Voltage 60 Hz | Amp 60 Hz | RPM 60 Hz |
|---------|----------------------------|-----------------------------|-------------|-------------|---------------|-------------|-----------|---------------|-------------|-----------|
| I, J | OLS-1-30 OLS-2-30 OLS-1-60 | M63 B3/B5 4P 110V MULTIVOLT | 0,18 | 0,24 | 110 V AC | 3,30 | | 110 V AC | 2,70 | |
| G, H | OLS-1-30 OLS-2-30 OLS-1-60 | M63 B3/B5 4P 230 MULTIVOLT | 0,18 | 0,24 | 230 V AC | 1,57 | | 230 V AC | 1,34 | |
| A | OLS-1-30 OLS-2-30 OLS-1-60 | M63 B3/B5 4P 3PH MULTIVOLT | 0,18 | 0,24 | 230/400 V AC | 1,03 / 0,60 | | 254/440 V AC | 0,90 / 0,52 | |
| A | OLS-2-60 OLS-4-30 | M63 B3/B5 4P 3PH MULTIVOLT | 0,29 | 0,39 | 230/400 V AC | 1,65 / 0,95 | 1460 | 254/440 V AC | 1,47 / 0,85 | 1740 |
| I, J | OLS-2-60 OLS-4-30 OLS-4-60 | M71 B3/B5 4P 110V MULTIVOLT | 0,37 | 0,50 | 110 V AC | 6,10 | | 110 V AC | 5,20 | |
| G, H | OLS-2-60 OLS-4-30 OLS-4-60 | M71 B3/B5 4P 230V MULTIVOLT | 0,37 | 0,50 | 230 V AC | 3,00 | | 230 V AC | 2,65 | |
| A | OLS-4-60 | M71 B3/B5 4P 3PH MULTIVOLT | 0,37 | 0,50 | 230/400 V AC | 1,90 / 1,10 | | 254/440 V AC | 1,60 / 0,93 | |



Water Absorbing Offline Filter ▪ Type OLSW
Product Description

STAUFF Systems Units are characterized by their extremely efficient filter elements which are rated to 5 micron. Specially designed for industrial hydraulic installations the STAUFF Offline Filters are available in single or double length configurations. The Offline Filter Units can easily be mounted to new and existing hydraulic installations. By means of an integrated motor/pump unit and an Offline Filter, the oil is pumped from the reservoir through the filter unit and after filtering the oil is then returned to the tank.

Economical

The hydraulic market accepts that 80 % of mechanical failures are caused by contamination in the system. The STAUFF Water Absorbing Offline Filters attack this contamination at source and in addition to solid particles, these filters are also capable of removing large quantities of water from the oil. This prevents the catalytic reaction of water and solid particle contamination, resulting in extended useable oil life.

The application of STAUFF Filters results in lower component failure rates, less down time and less system maintenance.

Water Absorbing

STAUFF Water Absorbing Filters are Offline Units that use special water absorbing Spin-On Filter Elements as a pre-filter. The fluid is pumped through the pre-filter which removes most water and larger solid contamination, in the second stage the fluid passes through the STAUFF Micro Filter where final water removal takes place as well as solid removal down to 0,5 micron.

In recent years STAUFF Systems have developed a great deal of experience in cleaning and drying hydraulic and lubrication systems in the following markets:

- Steel industry
- Maritime industry
- Petrochemical industry
- Paper industry

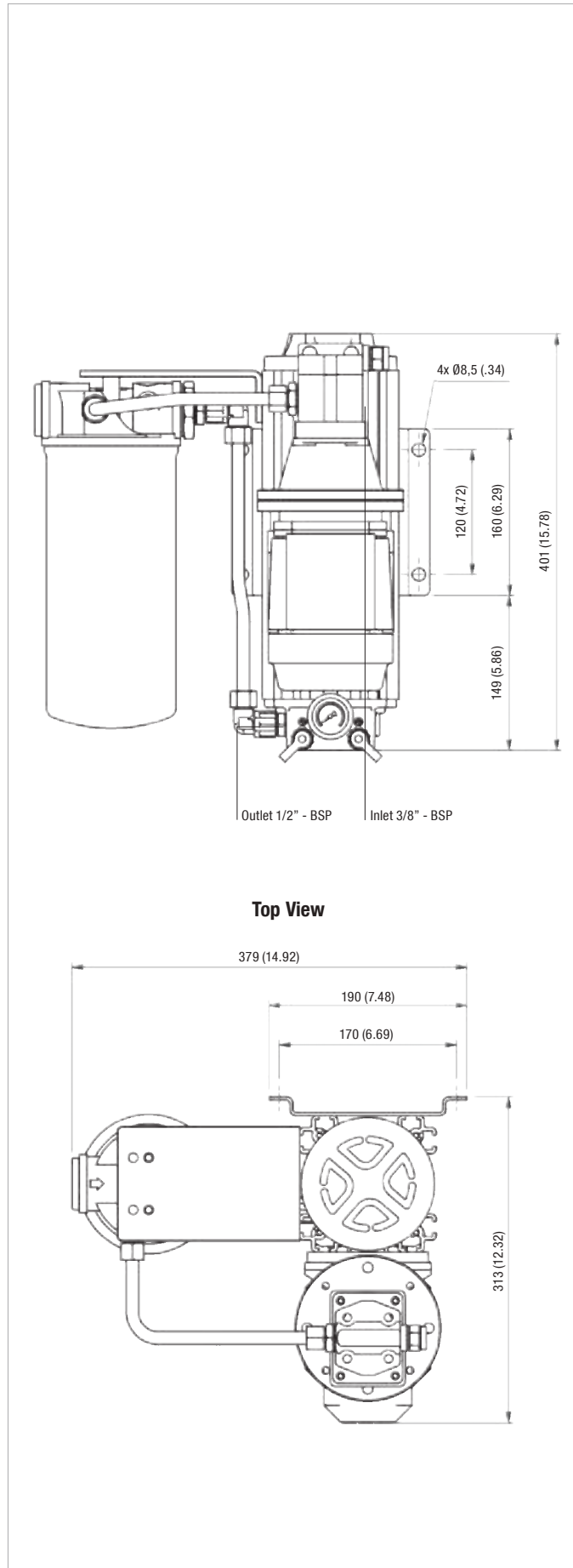
Advantages

- Extremely clean oil due to the high filtration efficiency $\beta_{0,5} \geq 200$, $\beta_2 \geq 2330$
- Prevention of channel forming by radial filtration direction
- Increased flow capacity
- Increased dirt-hold capacity
- Large water holding capacity
- Compact and easy-maintenance design
- Longer usage life for oil and components

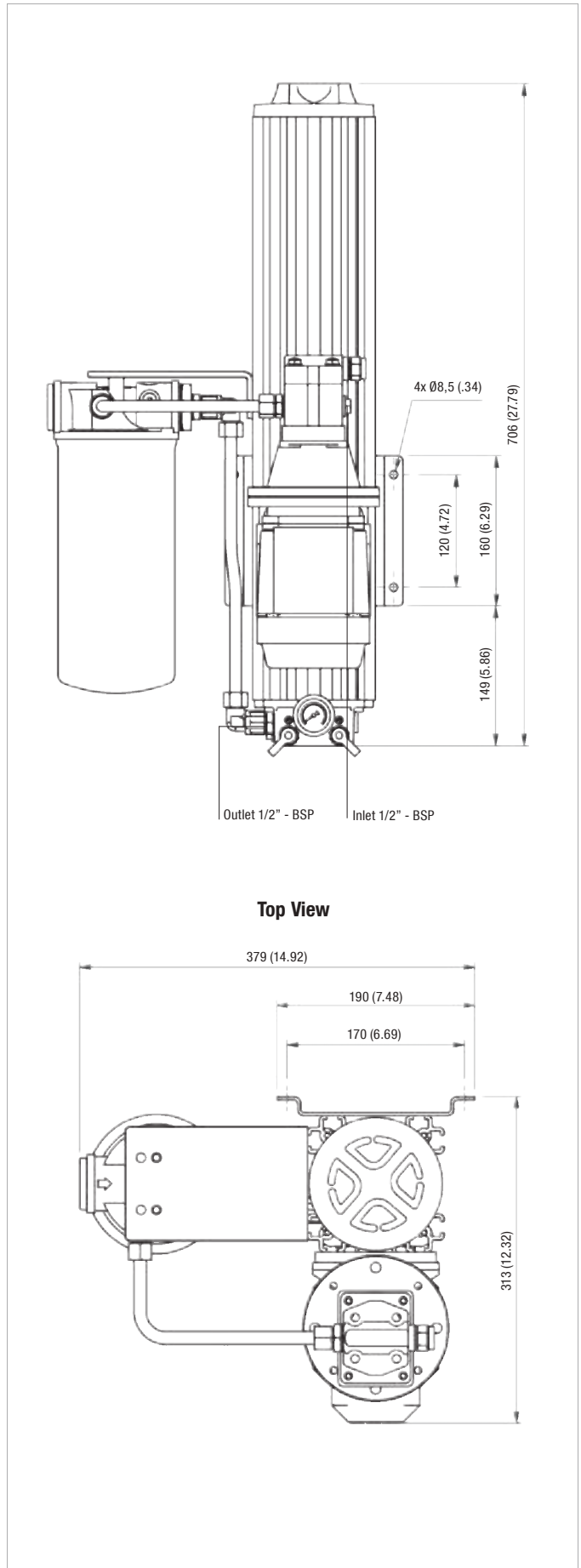


Water Absorbing Offline Filter - Type OLSW

Dimensions OLSW-1-30



Dimensions OLSW-1-60



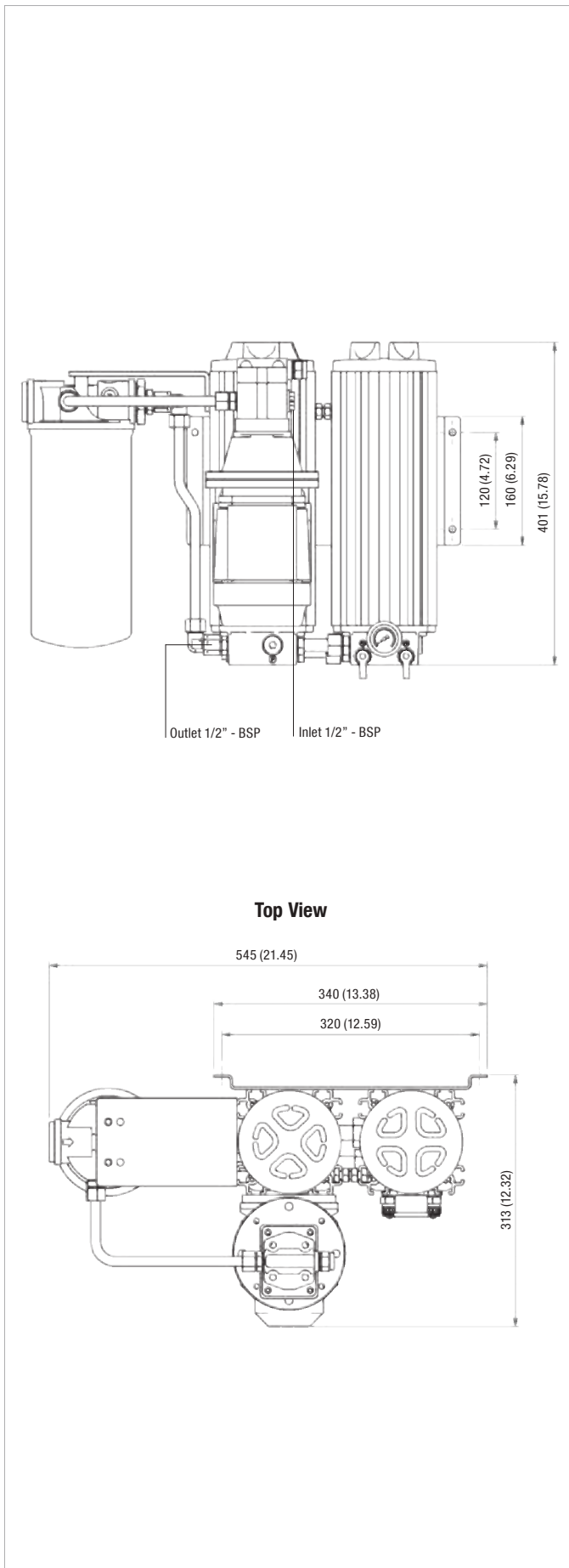
G

All dimensions in mm / in

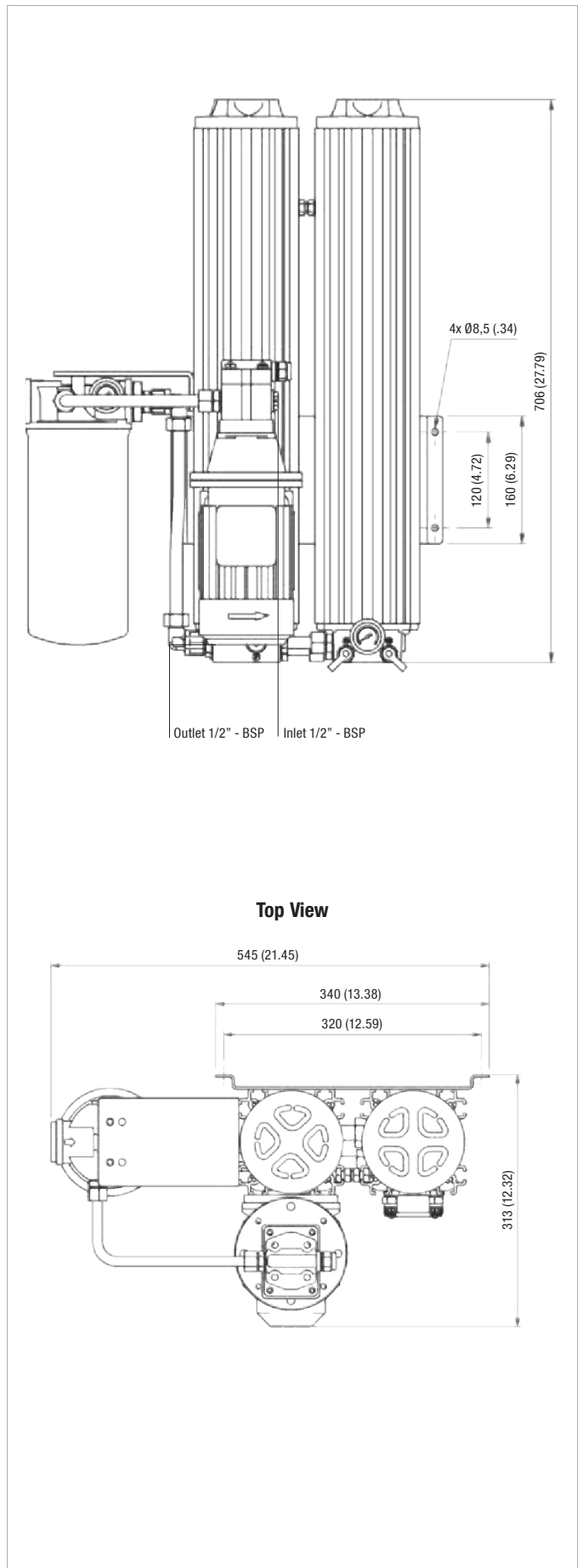


Water Absorbing Offline Filter - Type OLSW

Dimensions OLSW-2-30



Dimensions OLSW-2-60



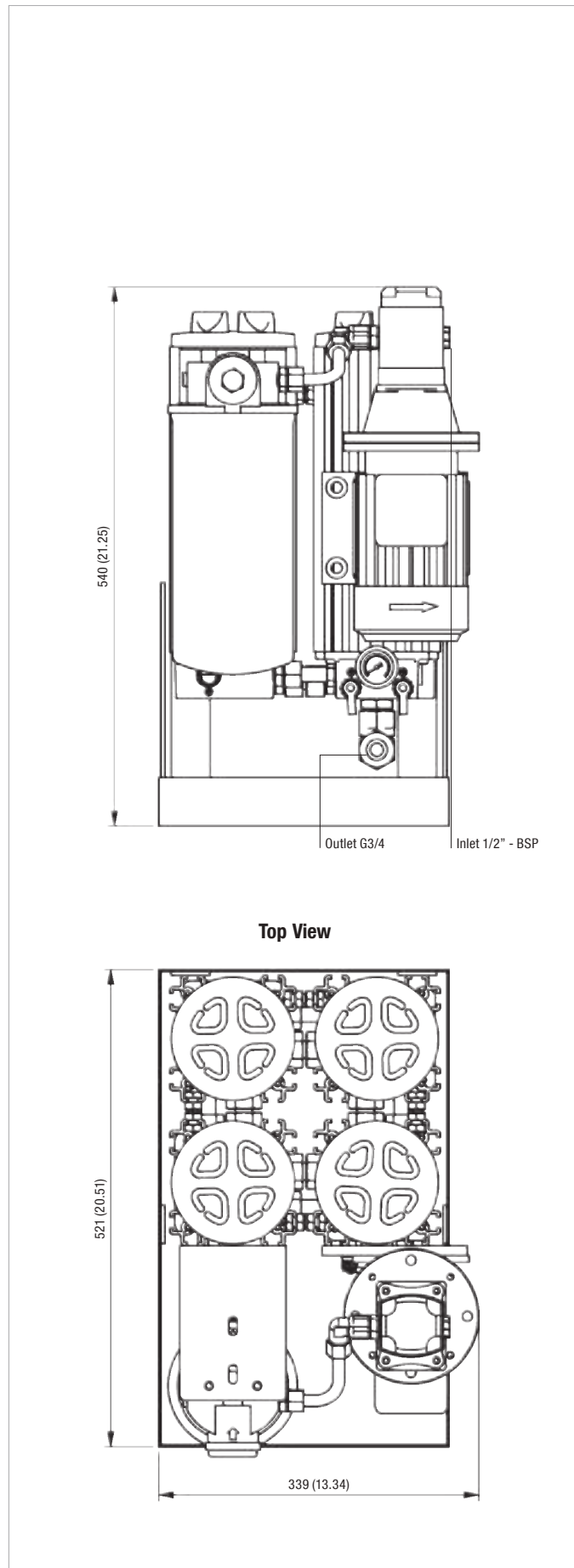
G

All dimensions in mm / in

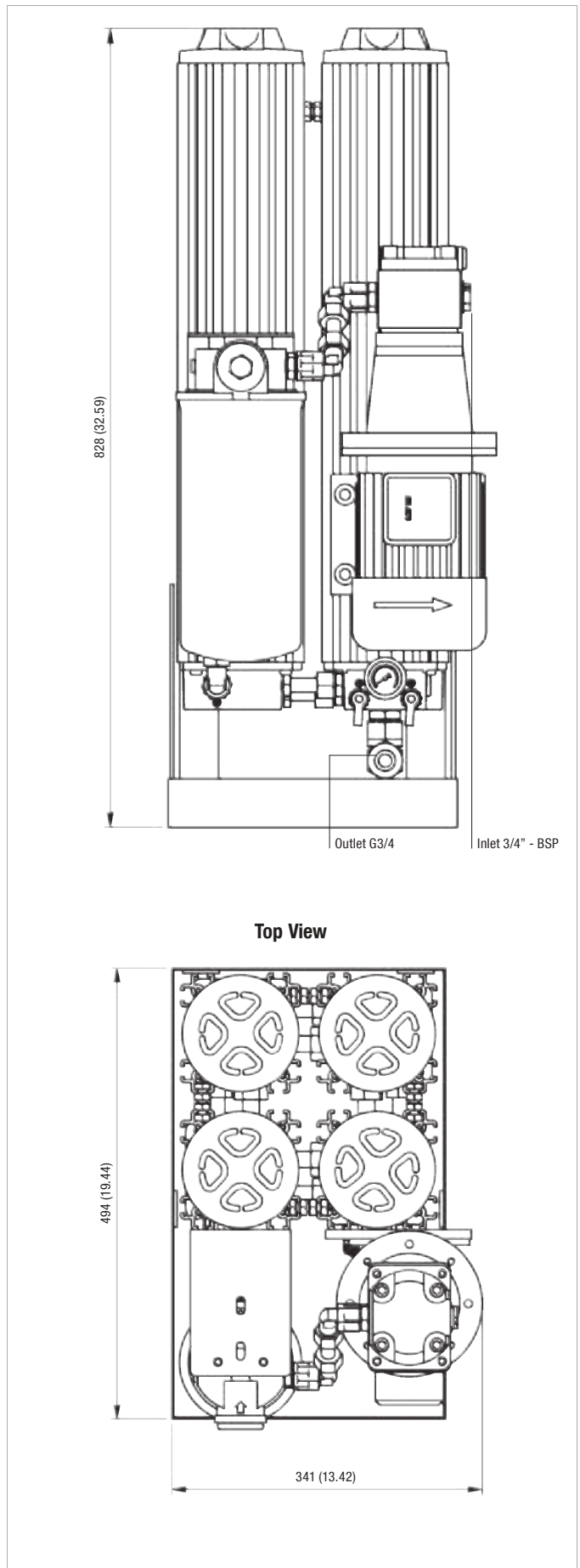


Water Absorbing Offline Filter ▪ Type OLSW

Dimensions OLSW-4-30



Dimensions OLSW-4-60



G

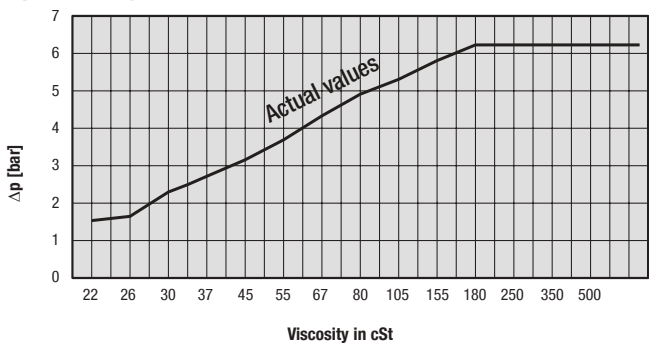
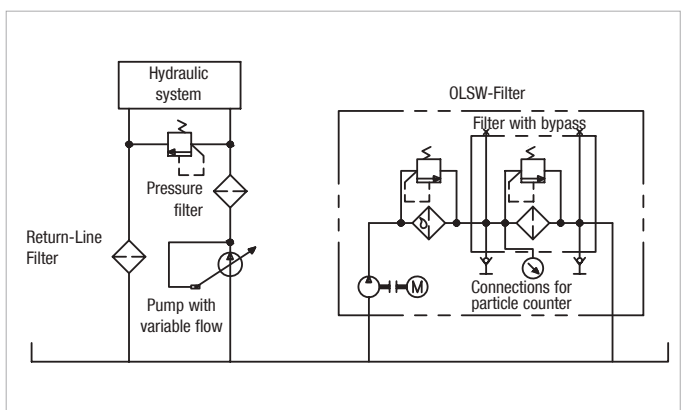
All dimensions in mm / in



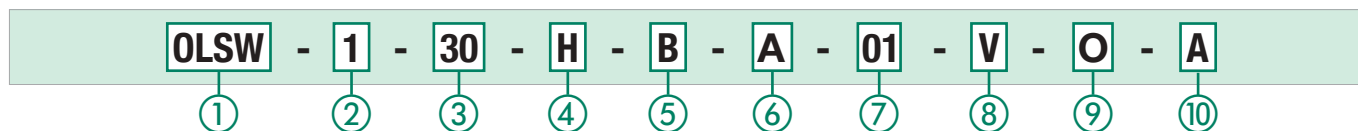
Water Absorbing Offline Filter ■ Type OLSW
Technical Data OLSW

| | OLSW-1-30-H-B | OLSW-1-60-H-B | OLSW-2-30-H-B | OLSW-2-60-H-B | OLSW-4-30-H-B | OLSW-4-60-H-B |
|---|---|--|--|--|--|--|
| Number of Filter Housings | 1 | 1 | 2 | 2 | 4 | 4 |
| Nominal Flow | 2,1 l/min .6 US GPM | 4,2 l/min 1.1 US GPM | 4,2 l/min 1.1 US GPM | 8,4 l/min 2.2 US GPM | 8,4 l/min 2.2 US GPM | 16,8 l/min 4.4 US GPM |
| Max. Differential Pressure | 6,2 bar over the filter element without backpressure 90 PSI over the filter element without backpressure | | | | | |
| Water Absorbing Capacity | 794 ml 25 oz. | 1144 ml 38 oz. | 1144 ml 38 oz. | 1844 ml 62 oz. | 1844 ml 62 oz. | 3244 ml 109 oz. |
| Max. Fluid Temperature | +80 °C +176 °F | | | | | |
| Max. Housing Pressure | 20 bar 290 PSI | | | | | |
| Viscosity Range | 20 ... 160 cSt 100 ... 750 SUS | | | | | |
| Connection Suction Side | G3/8 | G1/2 | G1/2 | G1/2 | G1/2 | G3/4 |
| Connection Return Side | G1/2 | G1/2 | G1/2 | G1/2 | G3/4 | G3/4 |
| Hose Diameter | 1/2 in (inner diameter) flexible hose | | | | | 3/4 in (inner diameter) flexible hose |
| Weight (including Element) | 18 kg 39.7 lbs | 22 kg 48.5 lbs | 25 kg 55.1 lbs | 34 kg 75.0 lbs | 43 kg 94.8 lbs | 65 kg 143.3 lbs |
| Max. System Volume | 1350 l 356 gal | 2700 l 713 gal | 2700 l 713 gal | 5400 l 1427 gal | 5400 l 1427 gal | 10800 l 2853 gal |
| Dimensions H x B x L | 401 x 379 x 313 mm 15.78 x 14.92 x 12.32 in | 706 x 379 x 313 mm 27.79 x 14.92 x 12.32 in | 401 x 545 x 313 mm 15.78 x 21.45 x 12.32 in | 706 x 545 x 313 mm 27.79 x 21.45 x 12.32 in | 540 x 339 x 521 mm 21.25 x 13.34 x 20.51 in | 928 x 341 x 494 mm 36.53 x 13.42 x 19.44 in |
| Pump | Gear pump | | | | | |
| Connection Oil-Analysis: P1 filter inlet side P2 filter outlet side | Test connector (M16 x 2) Red Test connector (M16 x 2) Yellow | | | | | |

G

Water absorbing spin-on filter element
Δp / Viscosity for OLSW-Filter

System Example
Schematic Offline Filtration incl. Water Absorption


Water Absorbing Offline Filter Housings / Complete Filters ▪ Type OLSW



① Type

| | |
|--|-------------|
| Offline Filter Unit incl. water absorption (for industrial applications) | OLSW |
|--|-------------|

② Housing Configuration

| | |
|-------------------|----------|
| Single housing | 1 |
| Twin housing | 2 |
| Quadruple housing | 4 |

③ Filter Element Length

| | |
|-------------------|-----------|
| 300 mm / 11.81 in | 30 |
| 600 mm / 23.62 in | 60 |

④ Filter Material and Micron Rating

| Material | Micron rating µm | Code |
|---|------------------|-----------|
| Cellulose (standard) | 0,5 | H |
| Inorg. glass fibre and polymer (water absorption) | 5 | EA |

⑤ Sealing Material

| | |
|--------------------------|----------|
| NBR (Buna-N®) (standard) | B |
| FKM (Viton®) | V |

⑥ E-motor Options

| Motor Type | Code |
|--|----------|
| 230/400 V AC, 50 Hz, three phases, 1360 r/min 255/460 V AC, 60 Hz, three phases, 1630 r/min (50 Hz and 60 Hz standard) | A |
| 230 V AC, 50 Hz, single phase, 1360 r/min | G |
| 110 V AC, 50 Hz, single phase | I |
| 110 V AC, 60 Hz, single phase | J |

Note: Special motors on request.

⑦ Pump Options

| 50 Hz Motor | Standard in | Code |
|--------------|----------------|-----------|
| 1,6 cc/rev. | OLSW-1-30 | 00 |
| 3,15 cc/rev. | OLSW-1-60/2-30 | 10 |
| 6,1 cc/rev. | OLSW-2-60/4-30 | 20 |
| 11,3 cc/rev. | OLSW-4-60 | 40 |

| 60 Hz Motor | Standard in | Code |
|--------------|----------------|-----------|
| 1,25 cc/rev. | OLSW-1-30 | 01 |
| 2,5 cc/rev. | OLSW-1-60/2-30 | 11 |
| 5,0 cc/rev. | OLSW-2-60/4-30 | 21 |
| 10 cc/rev. | OLSW-4-60 | 41 |

⑧ Clogging Indicator

| | |
|---------------------------|----------|
| Visual clogging indicator | V |
|---------------------------|----------|

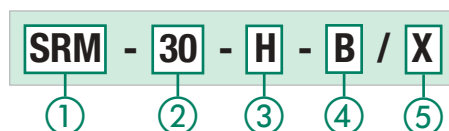
⑨ Mounting Options

| | |
|-----------------------|----------|
| No options (standard) | 0 |
|-----------------------|----------|

⑩ Pre-Filter Elements

| Water absorption element | |
|--|----------|
| SF-6721-W (10 micron water absorbing, capacity 444 ml water) | A |
| Pre-filter elements (particles) | |
| without pre-filter element | 0 |
| SF-6702-MG (inorganic glass fibre, 1 micron) | B |
| SF-6704-MG (inorganic glass fibre, 3 micron) | C |
| SF-6707-MG (inorganic glass fibre, 6 micron) | D |
| SF-6731-MG (inorganic glass fibre, 12 micron) | E |
| SF-6726-MG (inorganic glass fibre, 25 micron) | F |
| SF-6721 (filter paper, 10 micron) | G |
| SF-6711 (filter paper, 25 micron) | H |
| SF-6791 (wire mesh, 125 micron) | J |

Filter Elements ▪ Type SRM



① Type

| | |
|-----------------------|------------|
| Filter Element Series | SRM |
|-----------------------|------------|

② Filter Element Length

| | |
|-------------------|-----------|
| 300 mm / 11.81 in | 30 |
| 600 mm / 23.62 in | 60 |

③ Filter Material and Micron Rating

| Material | Micron rating µm | Code |
|---|------------------|-----------|
| Cellulose (standard) | 0,5 | H |
| Inorg. glass fibre and polymer (water absorption) | 5 | EA |

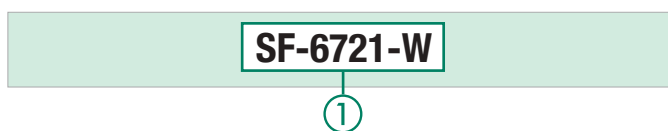
④ Sealing Material

| | |
|--------------------------|----------|
| NBR (Buna-N®) (standard) | B |
| FKM (Viton®) | V |

⑤ Design Code

| | |
|----------------------|----------|
| Only for information | X |
|----------------------|----------|

Pre-Filter Elements ▪ Type SF-67



① Pre-Filter Elements

| Water absorption element | |
|--|----------|
| SF-6721-W (10 micron water absorbing, capacity 444 ml water) | A |
| Pre-filter elements (particles) | |
| without pre-filter element | 0 |
| SF-6702-MG (inorganic glass fibre, 1 micron) | B |
| SF-6704-MG (inorganic glass fibre, 3 micron) | C |
| SF-6707-MG (inorganic glass fibre, 6 micron) | D |
| SF-6731-MG (inorganic glass fibre, 12 micron) | E |
| SF-6726-MG (inorganic glass fibre, 25 micron) | F |
| SF-6721 (filter paper, 10 micron) | G |
| SF-6711 (filter paper, 25 micron) | H |
| SF-6791 (wire mesh, 125 micron) | J |



Heated Offline Filters ▪ Type OLSH
Product Description

STAUFF System Units are characterized by their pre-heating unit and extremely efficient filter elements with a fineness of 0,5 micron.

Specially designed for industrial hydraulic installations, the STAUFF Offline Filters are available in single or multiple housing configurations. The Offline Filter Units can easily be mounted to new and existing hydraulic installations.

By means of an integrated motor/pump unit and an Offline Filter, the oil is pumped from the reservoir through the filter unit and after filtering the oil is then returned to the tank.

Economical

The hydraulic market accepts that 70 % of the mechanical failures are caused by contamination in the system. The STAUFF Offline Filters attack this contamination at the source. In addition to solid particles, these filters are also capable of removing water from the oil. This prevents the catalytic reaction of water and solid particle contamination, resulting in extended usable of life.

The application of STAUFF Filters results in lower component failure rates, less down time and less system maintenance.

In recent years STAUFF Systems have developed a great deal of experience in cleaning and drying hydraulic and lubrication systems in the following markets:

- Steel industry
- Maritime industry
- Petrochemical industry
- Paper industry

Heated Offline Filters

The electric pre-heating ensures that the cold and/or high viscosity fluid is brought to a temperature with a suitable filtration viscosity. Offline Filters with pre-heating can be applied to new or existing installations. The integrated pump-motor combination draws fluid from the reservoir, pumps it through a heating element, filters the fluid and returns it to the reservoir.

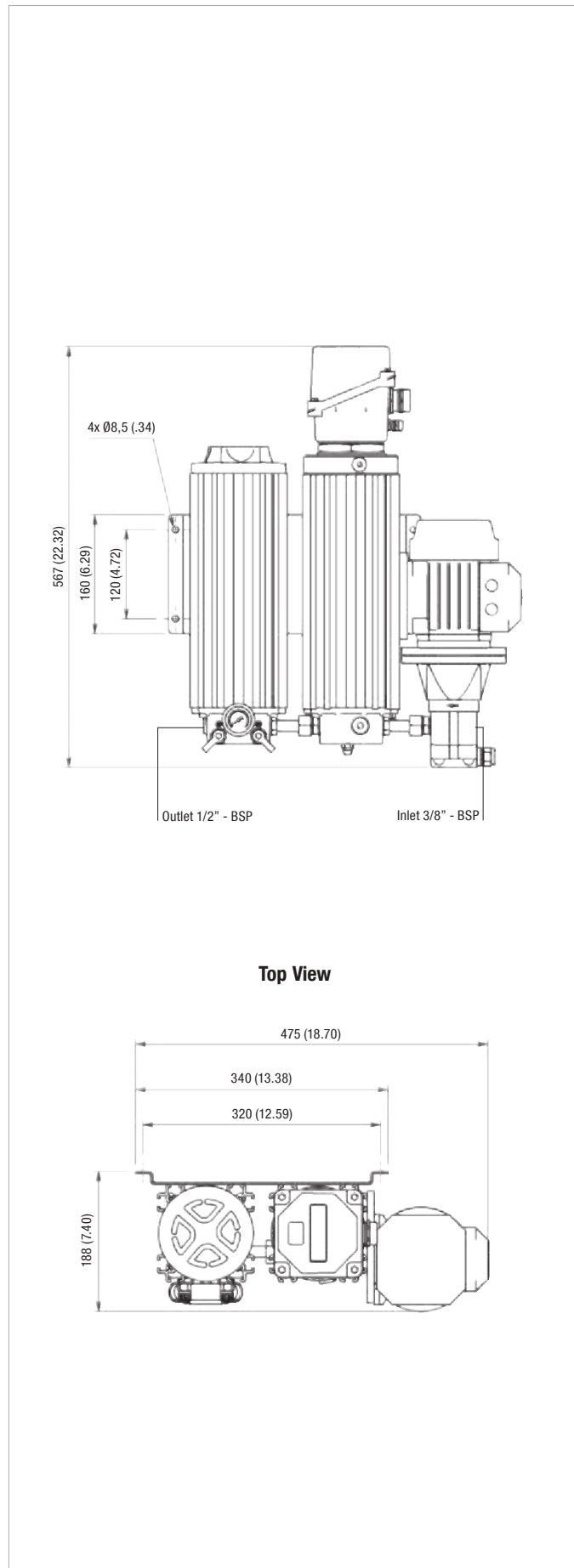
Advantages

- Extremely clean oil due to the high filtration efficiency $\beta_{0,5} \geq 200$, $\beta_2 \geq 2330$
- Prevention of channel forming by radial filtration direction
- Increased flow capacity
- Increased dirt holding capacity
- Large water holding capacity
- Compact and easy maintenance design
- Longer usage life for oil and components

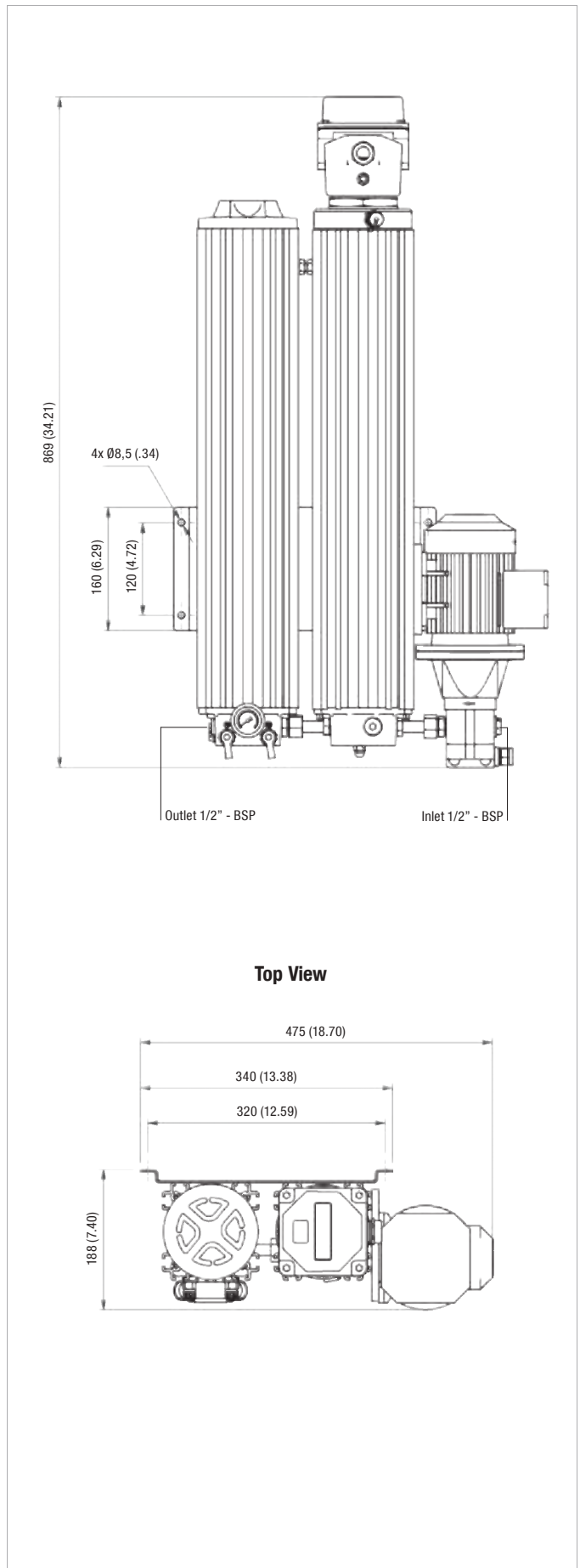


Heated Offline Filters - Type OLSH

Dimensions OLSH-1-30-H-B



Dimensions OLSH-1-60-H-B



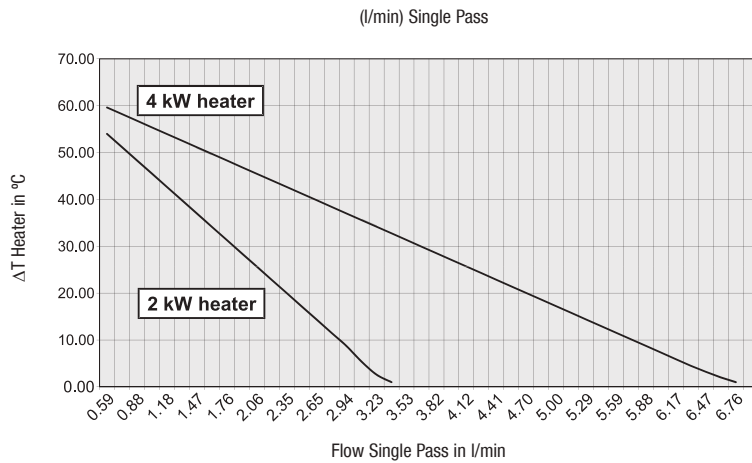
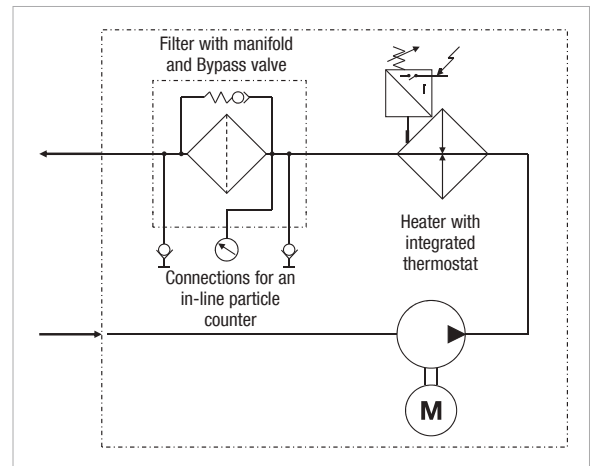
G

All dimensions in mm / in



Heated Offline Filters - Type OLSH
Technical Data Heated Offline Filters

| | OLSH-1-30-H-B | OLSH-1-60-H-B |
|---|---|---|
| Number of Filter Housings | 1 | 1 |
| Nominal Flow | 2,1 l/min .6 US GPM | 4,2 l/min 1.2 US GPM |
| Max. Differential Pressure | 6,2 bar 90 PSI | |
| Max. Fluid Temperature | +80 °C +176 °F | |
| Max. Housing Pressure | 20 bar 290 PSI | |
| Heater Capacity | 2 kW | |
| Connection Suction Side | G3/8 | G1/2 |
| Connection Return Side | G1/2 | G1/2 |
| Hose Diameter | 1/2 in (inner diameter) flexible hose | 3/4 in (inner diameter) flexible hose |
| Weight (including Element) | 24 kg 44 lbs | 28 kg 62 lbs |
| Max. System Volume | 1350 l 356 gal | 2700 l 713 gal |
| Dimensions H x W x D | 567 x 475 x 188 mm 22.32 x 18.70 x 7.40 in | 869 x 475 x 188 mm 34.21 x 18.70 x 7.40 in |
| Connection for Online Particle Counter | STAUFF Test (M16 x 2) | STAUFF Test (M16 x 2) |
| Pump | Gear Pump | |
| Motor | See page 196 for electric motor details | |
| Connection Oil-Analysis: P1 filter inlet side P2 filter outlet side | Test connector (M16 x 2) Red Test connector (M16 x 2) Yellow | |

G
STAUFF Heating Efficiency Curve

Heated Unit Hydraulic Schematic


Heated Offline Filter Housings / Complete Filters ▪ Type OLSH

OLSH - 1 - 30 - H - B - A - 00 - V - O

① ② ③ ④ ⑤ ⑥ ⑦ ⑧ ⑨

① Type
Heated Offline Filter Unit (for industrial applications) **OLSH**

② Housing Configuration
Single housing **1**

③ Filter Element Length
300 mm / 11.81 in **30**
600 mm / 23.62 in **60**

④ Filter Material

| Material | Micron Rating µm | Code |
|---|------------------|------|
| Cellulose (standard) | 0,5 | H |
| Inorg. glass fibre | 1 | E-01 |
| Inorg. glass fibre | 3 | E-03 |
| Inorg. glass fibre | 5 | E-05 |
| Inorg. glass fibre | 10 | E-10 |
| Inorg. glass fibre | 20 | E-20 |
| Inorg. glass fibre and polymer (water absorption) | 5 | EA |

⑤ Sealing Material
NBR (Buna-N®) (standard) **B**
FKM (Viton®) **V**

⑥ E-Motor Options

| Type | Code |
|--|--------|
| 230/400 V AC, 50 Hz, three phases, 1360 r/min 255/460 V AC, 60 Hz, three phases, 1630 r/min (50 Hz and 60 Hz standard) | A |
| 230 V AC, 50 Hz, single phase | G |
| 230/400 V AC, 50 Hz, three phases, IP65 | A-IP65 |
| 230 V AC, 60 Hz, single phase, 1630 r/min | H |

Note: Special motors on request.

⑦ Pump Options

| Standard for 50 Hz Motor | Standard for | Code |
|--------------------------|---------------|------|
| 1,6 cc/rev. | OLSH-1-30-H-B | 00 |
| 3,15 cc/rev. | OLSH-1-60-H-B | 10 |
| 1.0 cc / rev. | | 60 |

| 60 Hz Motor | Standard in | Code |
|----------------|---------------|------|
| 1,25 cc / rev. | OLSH-1-30-H-B | 01 |
| 2,5 cc / rev. | OLSH-1-60-H-B | 11 |

⑧ Clogging Indicator
Visual clogging indicator **V**

⑨ Mounting Options
No options (standard) **0**

G

Filter Elements ▪ Type SRM

SRM - 30 - H - B / X

① ② ③ ④ ⑤

① Type
Filter Element Series **SRM**

② Filter Element Length
300 mm / 11.81 in **30**
600 mm / 23.62 in **60**

③ Filter Material and Micron Rating

| Material | Micron rating µm | Code |
|---|------------------|------|
| Cellulose (standard) | 0,5 | H |
| Inorg. glass fibre | 1 | E-01 |
| Inorg. glass fibre | 3 | E-03 |
| Inorg. glass fibre | 5 | E-05 |
| Inorg. glass fibre | 10 | E-10 |
| Inorg. glass fibre | 20 | E-20 |
| Inorg. glass fibre and polymer (water absorption) | 5 | EA |

④ Sealing Material
NBR (Buna-N®) (standard) **B**
FKM (Viton®) **V**

⑤ Design Code
Only for information **X**



Description

STAUFF BPS Bypass Filter can be used for OEM first fit applications as well as for retro-fitting. The filtration is done in a bypass configuration from the main hydraulic system.

The STAUFF BPS Filter Systems are available with one filter housing (BPS-1A, maximum flow 2,1 l/min / .6 US GPM) or with two filter housings (BPS-2A, maximum flow 4,2 l/min / 1.1 US GPM) at a viscosity between 20 ... 160 cSt. The STAUFF Bypass Filter Units are especially designed for mobile applications in hydraulic and/or transmission systems.

In the absence of a pumped system, the oil is drawn from the main system by means of a specially designed and integrated flow valve. The amount of oil extracted at any time is insignificant therefore ensuring that it will not affect the working of the main system. Most commonly used biodegradable oils in the mobile sector are suitable for filtration with STAUFF Filter Elements.

STAUFF Systems have been applied on a wide range of mobile hydraulic machinery, cleaning fluids to levels not previously possible with conventional filtration methods, resulting in dramatic increases in component life.

Material

- Housing: Anodized Aluminium

Differential Pressure

- Max. 6,2 bar / 90 PSI

Temperature Range

- Max. +80 °C / +176 °F media temperature

Media Compatibility

- Mineral and lubrication oils, others on request

Options and Accessories (only for BPS)

Clogging Indicators

- Visual clogging indicators

Valves

- Available with flow control valve



Type BPS

- Bypass filter units are especially designed for mobile applications in hydraulic and/or transmission systems
- No special motor-pump unit is required
- Housing pressure: max. 20 bar / 290 PSI
- Nominal flow rate: max. 4,2 l/min / 1.1 US GPM
- System volume: max. 1350 l / 356 gal
- Connections: G1/4, G1/2
- Pressure range: 12 ... 420 bar / 180 ... 6200 PSI



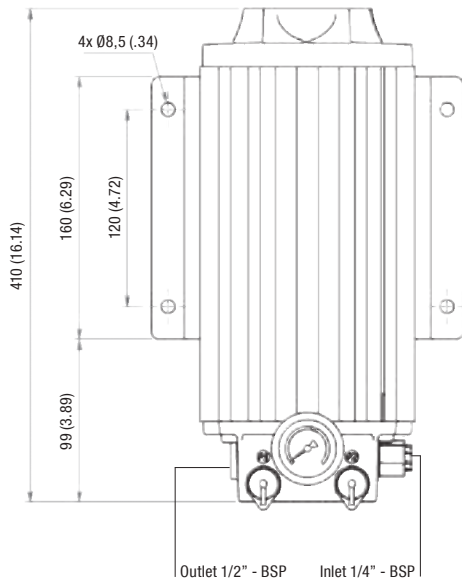
Type BPS

- Bypass filter units are especially designed for mobile applications in hydraulic and/or transmission systems
- No special motor-pump unit is required
- Housing pressure: max. 20 bar / 290 PSI
- Nominal flow rate: max. 4,2 l/min / 1.1 US GPM
- System volume: max. 2700 l / 713 gal
- Connections: G1/4, G1/2
- Pressure range: 12 ... 420 bar / 180 ... 6200 PSI

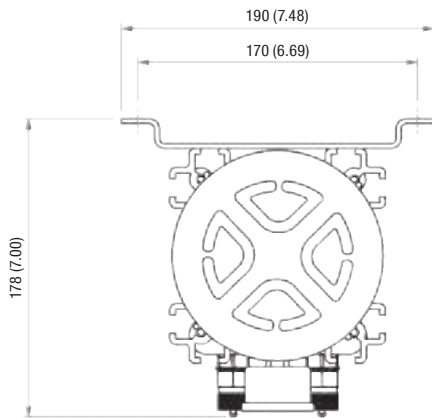


Bypass Filters - Type BPS

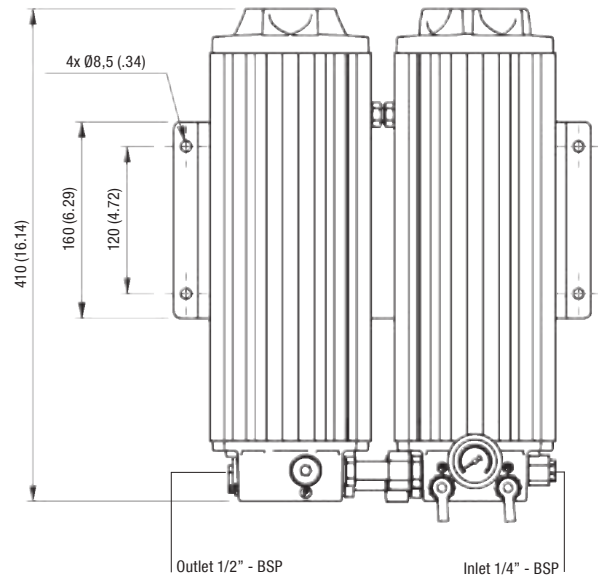
Dimensions BPS-1-30-H-B



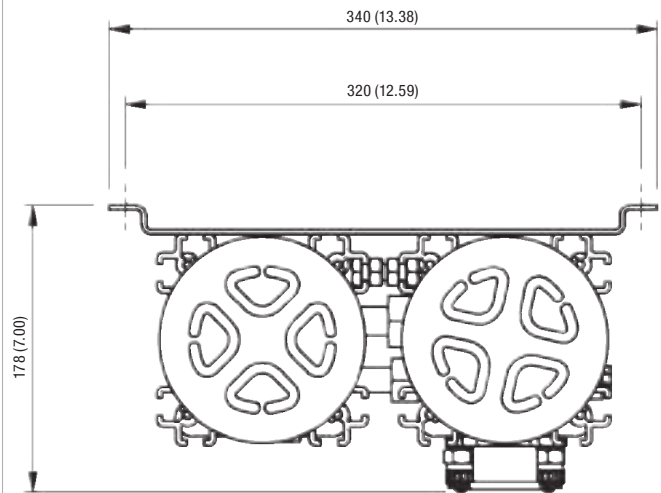
Top View



Dimensions BPS-2-30-H-B



Top View



All dimensions in mm / in

G



Technical Data BPS

| | BPS-1-30-H-B | BPS-2-30-H-B |
|---|---|---|
| Number of Filter Housings | 1 | 2 |
| Nominal Flow Rate | 2,1 l/min .6 US GPM | 4,2 l/min 1.1 US GPM |
| Max. Differential Pressure | 6,2 bar over the filter element without back pressure 90 PSI over the filter element without back pressure | |
| Max. Fluid Temperature | +80 °C +176 °F | |
| Max. Housing Pressure | 20 bar 290 PSI | |
| Viscosity Range | 20 ... 160 cSt 100 ... 750 SUS | |
| Connection Pressure Side | G1/4 | |
| Connection Return Side | G1/2 | |
| Hose Diameter | 3/8 ... 1/2 in (inner diameter) flexible hose | |
| Weight (including Element) | 6 kg 13.2 lbs | 13 kg 28.7 lbs |
| Max. System Volume | 750 l 200 gal | 1500 l 400 gal |
| Dimensions H x W x D | 410 x 190 x 178 mm 16.14 x 7.48 x 7.00 in | 410 x 340 x 178 mm 16.14 x 13.38 x 7.00 in |
| Connection for On-Line Particle Counter | STAUFF Test (M16 x 2) | |
| Pressure Range | 12 ... 420 bar 180 ... 6200 PSI | |
| Connection Oil-Analysis: P1 filter inlet side P2 filter outlet side | Test connector (M16 x 2) Red Test connector (M16 x 2) Yellow | |

G
Bypass Filter Housings / Complete Filters ▪ Type BPS

BPS - 1 - 30 - H - B - V - O - O

1
 2
 3
 4
 5
 6
 7
 8

① Type

| | |
|---|------------|
| Bypass Filter Unit (for mobile applications) | BPS |
|---|------------|

② Housing Configuration

| | |
|----------------|----------|
| Single housing | 1 |
| Twin housing | 2 |

③ Filter Element Length

| | |
|-------------------|-----------|
| 300 mm / 11.81 in | 30 |
|-------------------|-----------|

④ Filter Material and Micron Rating

| Material | Micron Rating µm | Code |
|--|------------------|-------------|
| Cellulose (standard) | 0,5 | H |
| Inorg. glass fibre | 1 | E-01 |
| Inorg. glass fibre | 3 | E-03 |
| Inorg. glass fibre | 5 | E-05 |
| Inorg. glass fibre | 10 | E-10 |
| Inorg. glass fibre | 20 | E-20 |
| Inorg. glass fibre and polymer (water absorption) | 5 | EA |

⑤ Sealing Material

| | |
|--------------------------|----------|
| NBR (Buna-N®) (standard) | B |
| FKM (Viton®) | V |

⑥ Clogging Indicator

| | |
|---------------------------|----------|
| Visual clogging indicator | V |
|---------------------------|----------|

⑦ Valve Options

| | |
|------------------------------------|----------|
| With flow control valve (standard) | 0 |
| Without flow control valve | 1 |

⑧ Mounting Options

| | |
|---|----------|
| No bracket (standard) | 0 |
| With standard foot / bulk head mounting bracket | 1 |
| With "bulk head mounting only" bracket | 2 |
| With standard 'OLS' wall mounting bracket | 3 |

Filter Elements ▪ Type SRM

SRM - 30 - H - B / X

1
 2
 3
 4
 5

① Type

| | |
|-----------------------|------------|
| Filter Element Series | SRM |
|-----------------------|------------|

② Filter Element Length

| | |
|-------------------|-----------|
| 300 mm / 11.81 in | 30 |
|-------------------|-----------|

③ Filter Material and Micron Rating

| Material | Micron Rating µm | Code |
|--|------------------|-------------|
| Cellulose (standard) | 0,5 | H |
| Inorg. glass fibre | 1 | E-01 |
| Inorg. glass fibre | 3 | E-03 |
| Inorg. glass fibre | 5 | E-05 |
| Inorg. glass fibre | 10 | E-10 |
| Inorg. glass fibre | 20 | E-20 |
| Inorg. glass fibre and polymer (water absorption) | 5 | EA |

④ Sealing Material

| | |
|--------------------------|----------|
| NBR (Buna-N®) (standard) | B |
| FKM (Viton®) | V |

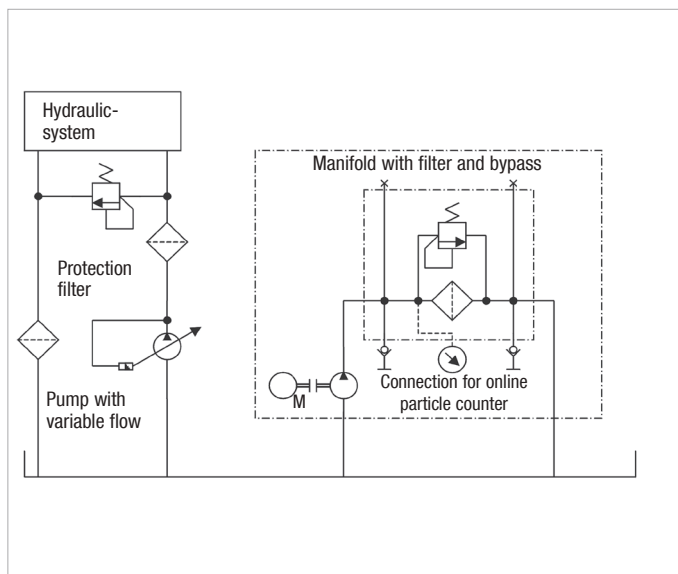
⑤ Design Code

| | |
|----------------------|----------|
| Only for information | X |
|----------------------|----------|

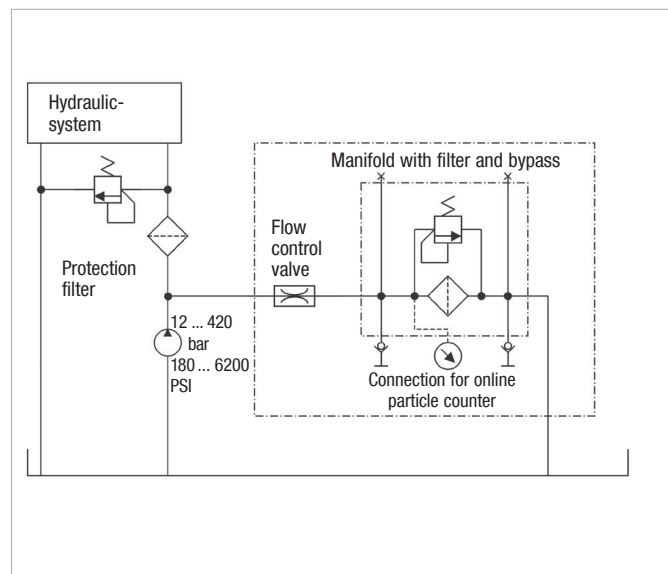


Bypass and Offline Filters ▪ Type OLS / BPS

Offline Filter OLS Hydraulic Symbol



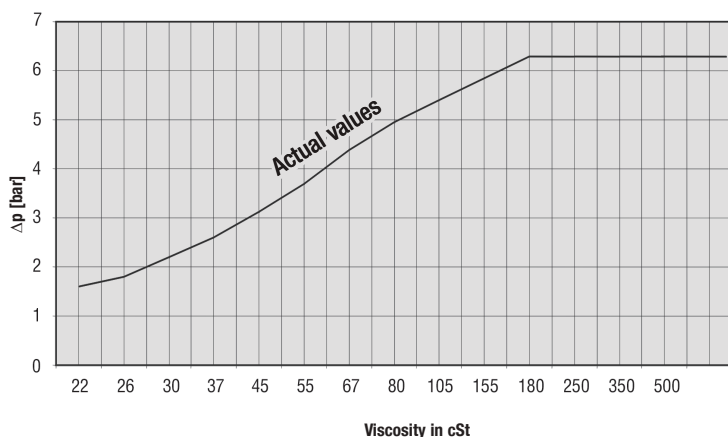
Bypass Filter BPS Hydraulic Symbol



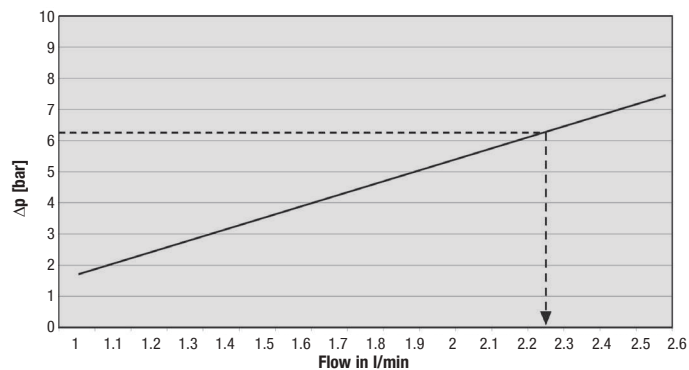
G

Filter Element SRM-30-HB Δp / viscosity - graph

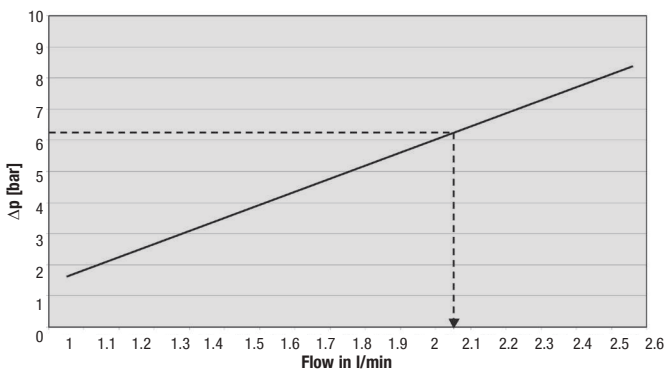
(at a flow of 2,1 l/min / .6 US GPM per element)

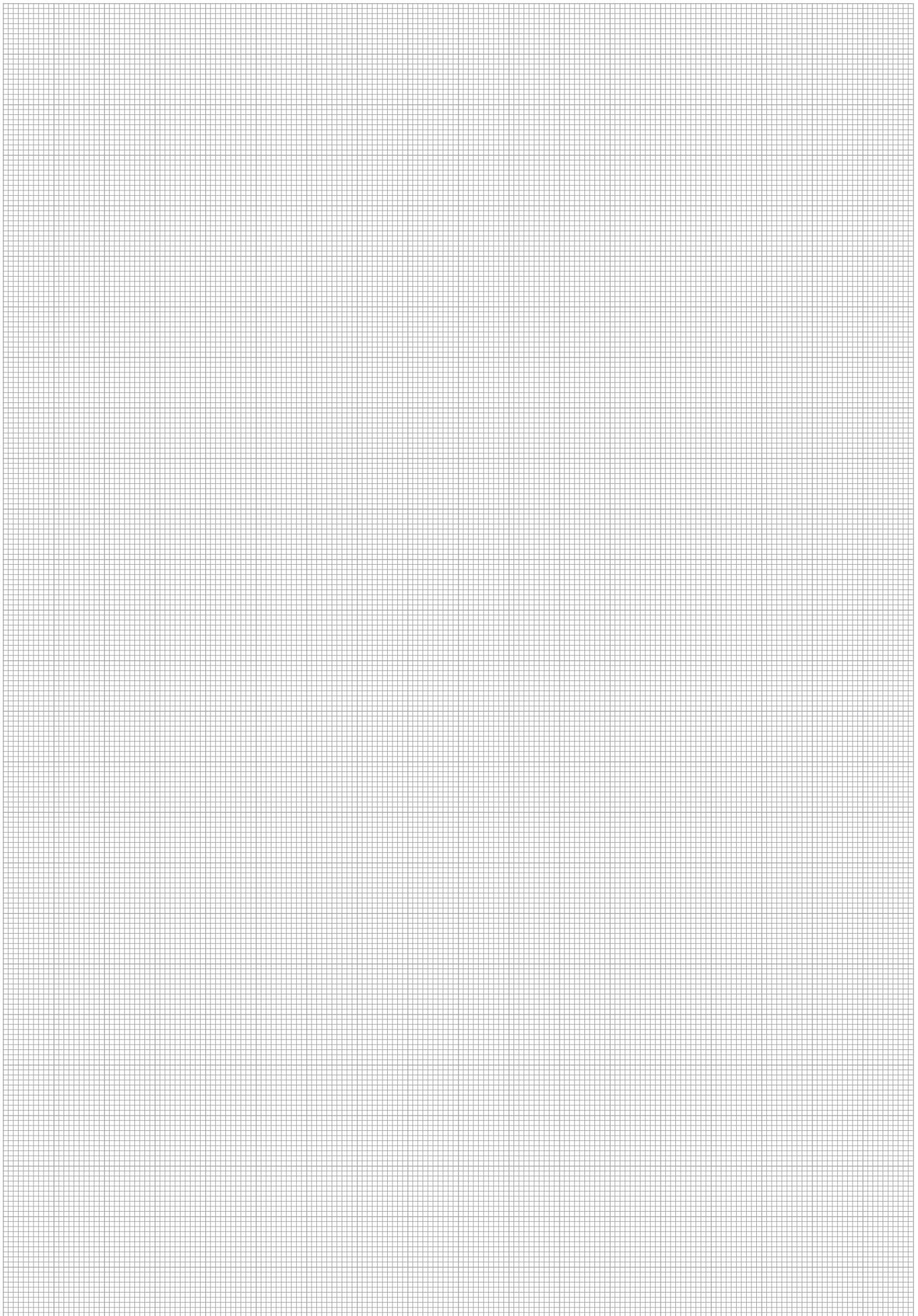


Flow Characteristics Offline Filter OLS with Filter Element SRM-30-H-B (at maximum viscosity)



Flow Characteristics Bypass Filter BPS with Filter Element SRM-30-H-B (at maximum viscosity)





G



Mini Water Vac ■ Type SMWV



Product Description

The Mini Water Vac is a designated oil purification unit which can be applied directly to various types of machine reservoirs. It dehydrates and cleans most types of oils such as lubricating, hydraulic, transformer, and switch oils. The Mini Water Vac is a self-regulating filtration unit which removes particles, gas, and water. The purified oil satisfies the most stringent quality requirements.

The Mini Water Vac neither removes or alters oil additives. The water removal process is based on pure vacuum evaporation inside a vacuum chamber at a maximum temperature of +65 °C / +149 °F. Solid particle removal is achieved through a well proven STAUFF Systems Micro Filter.

Simple Operation

The Mini Water Vac does not require continuous supervision while operating. Once the unit is connected and commissioned, oil purification is a semi-automatic process. Desired oil temperature can be selected via the integrated heater thermostat. The dehydration and filtering process is fully automatic and is controlled via the PLC. The only manual action required is the emptying the pre-condenser bowl and the waste water container which are equipped with float switches to prevent overflow.

Water, Gas and Particle Removal

The Mini Water Vac removes liquid, gas, and solid particle contamination, which are corrosive and contribute to the reduction of machine life. Contamination greatly increases maintenance costs and contribute to breakdowns and total machine failures. The Mini Water Vac offers protection against malfunctions, breakdowns or total failures. The Mini Water Vac also protects the environment by reducing oil consumption and oil disposal.

Benefits

- Efficient water, gas and particle removal
- Extension of fluid life
- Reduces fluid disposal
- Minimizes corrosion
- Reduced failures and downtime
- Reduce operating costs

Technical Data

Construction

- SMWV-1-30: Mini Water Vac Vacuum Dehydration Unit one filter housing

Materials

- Filter housing Eloxated Aluminium
- Vacuum chamber Eloxated Aluminium
- Heater chamber Eloxated Aluminium

Port Connections

- Inlet G1
- Outlet G1/2
- Online particle counter STAUFF Test (M16x2)

Max. System Volume

- 3000 l / 795 gal

Recirculating Flow Rate

- 90 l/h / 23.8 gal/hr

Max. Backpressure

- 1 bar / 14.5 PSI

Max. Heater Temperature

- +65 °C / +149 °F

Filter Element

- 1 micron inorganic glass fibre element $\beta_1 > 200$

Media Compatibility

- Viscosity between 20 ... 500 cSt
- Max. attainable water content 100 ppm

Removals

- 100% of free water, >80% of dissolved water
- 100% of free gases, >80% of dissolved gases

Dimensions

- 1200 x 740 x 450 mm / 47.3 x 29.1 x 17.7 in

Weight

- 130 kg / 287 lbs

Electrical Data

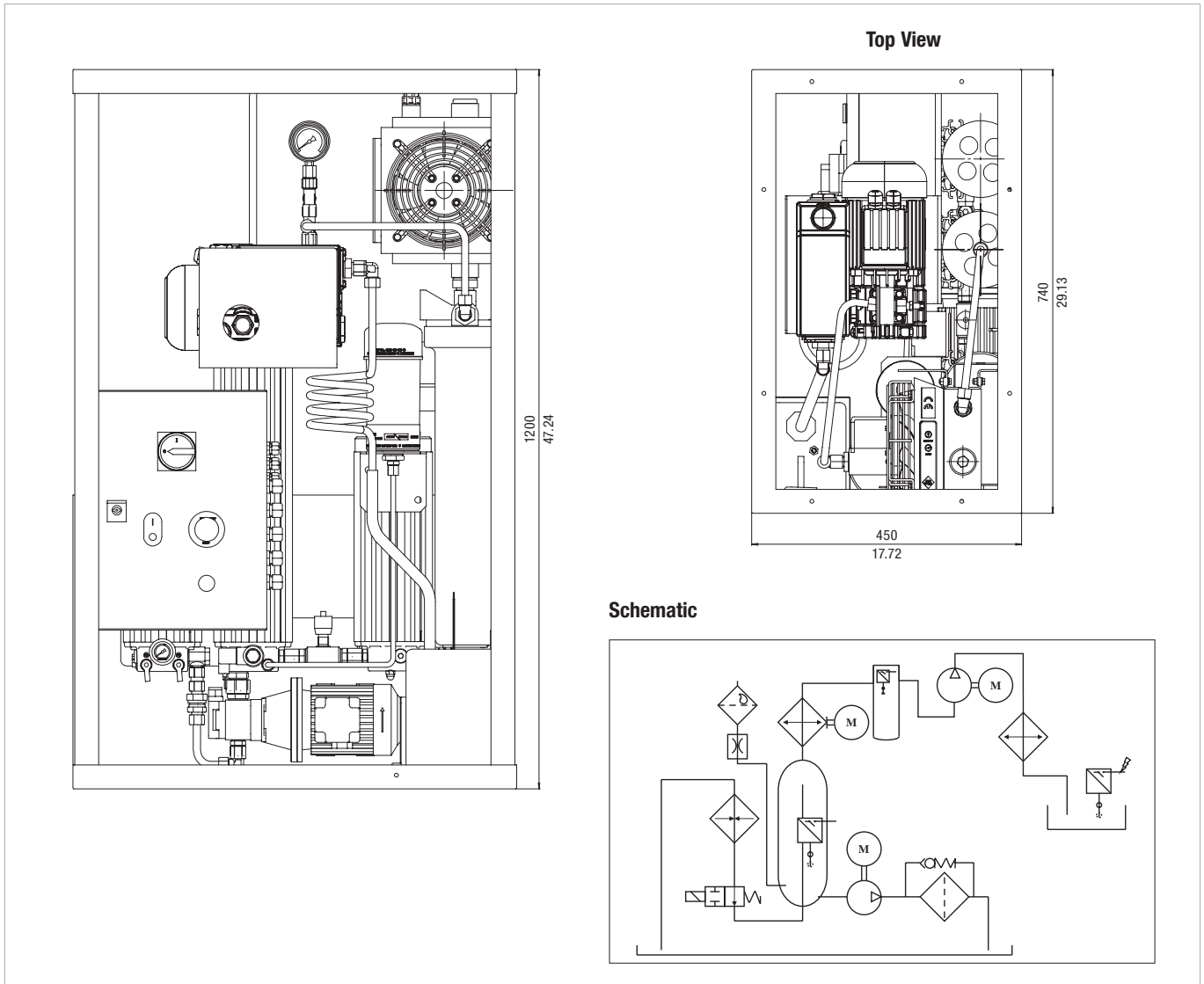
- Voltage 230/400 V AC, 50 Hz
255/460 V AC, 50 Hz
- Power supply 3 phases
- Heater section 2 kW
- Vacuum section 0,037 kW vacuum pump
- Max. current 3 Amps

Process Control

- PLC unit



Dimensions SMWV-1



All dimensions in mm / in

Mini Water Vac - Type SMWV

SMWV - 1 - 30 - H - B - A

1
 2
 3
 4
 5
 6

① Type

| | |
|--|-------------|
| Mini Water Vac Oil Purifier (for industrial applications) | SMWV |
|--|-------------|

② Housing Configuration

| | |
|----------------|----------|
| Single housing | 1 |
|----------------|----------|

③ Filter Element Length

| | |
|-------------------|-----------|
| 300 mm / 11.81 in | 30 |
|-------------------|-----------|

④ Filter Material and Micron Rating

| Material | Micron Rating μm | Code |
|--|-----------------------------|-------------|
| Cellulose (standard) | 0,5 | H |
| Inorg. glass fibre | 1 | E-01 |
| Inorg. glass fibre | 3 | E-03 |
| Inorg. glass fibre | 5 | E-05 |
| Inorg. glass fibre | 10 | E-10 |
| Inorg. glass fibre | 20 | E-20 |
| Inorg. glass fibre and polymer (water absorption) | 5 | EA |

⑤ Sealing Material

| | |
|--------------------------|----------|
| NBR (Buna-N®) (standard) | B |
| FKM (Viton®) | V |

⑥ E-motor Options

| Type | Code |
|---|----------|
| 230/400 V AC, 50 Hz, three phases, 1360 r/min | A |
| 255/460 V AC, 60 Hz, three phases, 1630 r/min | |





Filtration Systems 208 - 209

STAUFF Europe Filter Systems 208

STAUFF America Filter Systems 209

STAUFF Australia Filter Systems 209



STAUFF Europe

Product Description

STAUFF Mobile Filtration Systems type SMFS are designed to cover a wide application range in the area of offline-filtration.

Being compact, powerful and robust the units assist the preventive maintenance, either when transferring fresh oils or purifying existing hydraulic and lubrication oil systems.

By selecting high-quality components, the SMFS is suitable for purifying small and medium size systems in a very short time or for a permanent offline-filtration on large hydraulic systems.

- High nominal flow rates of 15 l/min / 4 US GPM respectively 110 l/min / 30 US GPM by using high-quality gear pumps and energy-efficient, high-performance three phase motors suitable for continuous duty cycle
- Flexible use (mobile or stationary offline-filtration, filter elements available in different micro ratings)
- All Units are equipped with a 200 µm pre filter
- Drip pan for residual oil
- Easy and safe handling
- Rugged construction
- Filter elements with 4Pro media provide high dirt holding capacity and filtration performance
- Made in Germany



Type SMFS-P-015

- Portable hand-held unit
- Compact and light-weight design
- Very flexibility
- High-quality gear pump
- Nominal flow rate: max. 15 l/min / 4 US GPM
- Motor versions: 230 V 50 Hz or 400 V 50 Hz
- Micron rating available from 3 ... 125 µm
- Also available with a blank filter element for the reason of used oil to be removed from the hydraulic reservoir
- Weight: approx. 33 kg / 73 lbs



Type SMFS-U-060

- Mobile Filtration system
- High nominal flow rates
- Long-term operating times
- High-quality gear pump
- Nominal flow rate: max. 60 l/min / 15 US GPM
- Motor unit 400 V 50 Hz
- Micron rating available from 3 ... 125 µm
- Weight: approx. 165 kg / 364 lbs



Type SMFS-U-030

- Mobile Filtration system
- Robust steel frame push cart
- Maximum flexibility
- High-quality gear pump
- Nominal flow rate: max. 30 l/min / 8 US GPM
- Motor versions: 230 V 50 Hz or 400 V 50 Hz
- Micron rating available from 3 ... 125 µm
- Water absorbing element SF-6721-W
- Also available with a blank filter element for the reason of used oil to be removed from the hydraulic reservoir
- Weight: approx. 58,5 kg / 129 lbs



Type SMFS-U-110

- Mobile Filtration system
- High nominal flow rates
- Long-term operating times
- High-quality gear pump
- Nominal flow rate: max. 110 l/min / 30 US GPM
- Motor unit 400 V 50 Hz
- Micron rating available from 3 ... 125 µm
- Weight: approx. 177,2 kg / 391 lbs



Type SMFS-U-DL-015-G

- Extremely robust transport cart
- Heavy-duty rollers, steerable and with locking device on the rear end
- Convenient filling nozzle
- High-quality gear pump
- for 200 l / 52 US GAL oil drums
- Nominal flow rate: max. 15 l/min / 4 US GPM
- Motor versions: 230 V 50 Hz
- Spin-On filter Element of the series SFC-57/58 including visual clogging indicator
- Micron rating available from 3 ... 125 µm
- Water absorbing element SF-6721-W
- Weight: approx. 85 kg / 187 lbs (without oil drum)



Type SMFS-U-CM-110

- Mobile Filtration system
- High nominal flow rates
- Long-term operating times
- High-quality gear pump
- Integrated 8-channel particle counter
- Nominal flow rate: max. 110 l/min / 30 US GPM
- Motor unit 400 V 50 Hz
- Micron rating available from 3 ... 125 µm
- Weight: approx. 220 kg / 485 lbs



Product Description

The Stauff portable filter carts, (SCFC & SPFC models), are very complete and efficient units capable of off line filtration, filling or emptying reservoirs or any application requiring the transfer or filtration of hydraulic fluid. Multi stage filtration can be achieved to extend element life. Both units are available with a variety of different spin on elements for quick and easy change to match the application requirements.

The SCFC is a very lightweight and compact cart perfect for most maintenance departments. The cart is assembled with either a single or double head allowing for flexibility.

The SPFC comes standard with a suction element, (125 µm), and two double heads which maximizes the carts filtration capabilities. It is also available as a Condition and Monitoring cart which incorporates Stauff's LPM-II Particle monitor for accurate monitoring of the fluids cleanliness condition.


Type SCFC-05 / 10

- Flow capability of 19 l/min / 5 GPM or 38 l/min / 10 GPM
- Single or three phase electric motor-1HP
- Thermal overload relays
- Welded frame cart
- Filter head with by-pass valve
- Visual clogging indicator
- On/Off buttons
- Weight: 52 kg / 115 lbs


Type SPFC-10

- Flow capability of 38 l/min / 10 GPM
- On/Off buttons with 10 foot power cord
- Single or three phase motor-1HP
- Heavy duty welded frame with drip pan and tool tray
- 3-way ball valve to by pass filters
- 3/6/12/25 µm and water absorption filter elements available
- Available as a drum cart
- Optional Condition and monitoring configuration
- Weight: 86 kg / 190 lbs

H
STAUFF Australia and New Zealand
Product Description

STAUFF Mobile Filtration Systems type SPFC is designed to cover a wide application range in the area of offline-filtration. This is an essential tool for preventive maintenance, either when transferring new oils or purifying existing hydraulic and lubrication oil systems.

The Stauff Portable Filter Cart type SPFC is a very complete and practical unit utilising dual stage filtration 1. pre-filtration through magnetic core 2. final filtration through a 10 micron micro-glass element.

This system is designed for the transfer, draining or filling of reservoirs, or filtration of mineral oil based fluids for hydraulic systems & gear boxes limited to a viscosity range of 10-150 mm²/sec (cSt).

The application of the SPFC offers excellent mobility for maintenance, resulting in clean oil changes, increasing the lifetime of components and a higher availability of machinery.

- Suction/Delivery Hoses: 3/4" ID x 3 m / 9.84 ft
(Suction hose fitted with drum lance H: 900mm / 35.43 in)
- Heavy duty frame with solid rubber wheels
- Operation & maintenance manual
- Lockable storage box
- Drip tray
- Hose storage hooks
- Oil resistant rubber handle grips


Type SPFC

- Flow: 23 l/min / 6 US GPM - Nominal
- Voltage: 240 V / 50 Hz
- Start/Stop station with 3 m / 9.84 ft cable
- Electric motor: 1450 RPM 0,55 KW
- Pump: Gear type 23 LPM @ 1450 RPM
- Filter: Magnetic Core (integral pre-filter)
- Element: 10 µm
- Bypass valve opens @ 1,5 bar / 18.12 PSI
- Seals/O-rings: Buna-N® Rubber
- Clogging Indicator: Clean ΔP= 1,25 bar / 18.12 PSI
- Weight: 53 kg / 117 lbs
- Dimensions (H x W x D): 1300 x 620 x 500 mm / 51.18 x 24.40 x 19.68 in





Product-Specific Abbreviations 212 - 213

Global Contact Directory 214 - 215



Product-Specific Abbreviations

| Abbreviation | Product Category | Product Description | Page |
|-----------------------|---|--|-------------|
| BPS | Offline and Bypass Filters | Bypass Filters | 199 |
| HI | Pressure Filters | Clogging Indicator for Pressure Filters | 54 |
| HIM | Pressure Filters | Clogging Indicator for SMPF Series | 63 |
| HVB | Pressure Filters | Bypass valve | 53 |
| HVM | Pressure Filters | Multi-function valve | 53 |
| HVN | Pressure Filters | Non-return valve | 53 |
| HVO | Pressure Filters | Non-bypass standard insert | 53 |
| HVR | Pressure Filters | Reverse flow valve | 53 |
| Limit-Switch | Return-Line Filters | Electrical Clogging Switch for RF Series | 73 |
| Limit-Switch | Return-Line Filters | Electrical Clogging Switch for RFA Series | 81 |
| Limit-Switch | Return-Line Filters | Electrical Clogging Switch for RFB Series | 89 |
| Limit-Switch | Return-Line Filters | Electrical Clogging Switch for RFS Series | 99 |
| Limit-Switch | Return-Line Filters | Electrical Clogging Switch for RTF Series | 125 |
| Limit-Switch | Spin-On Filters | Electrical Clogging Switch for Spin-On Filters | 177 |
| OLS | Offline and Bypass Filters | Offline Filters | 183 |
| OLSH | Offline and Bypass Filters | Heated Offline Filters | 195 |
| OLSW | Offline and Bypass Filters | Water Absorbing Offline Filters | 189 |
| RA | Replacement Filter Elements for Applications involving Hydraulic and Lubrication Oils | Filter Elements for Return-Line Filters | 122 |
| RE-014 | Replacement Filter Elements for Applications involving Hydraulic and Lubrication Oils | Filter Elements for Return-Line Filters | 72 |
| RE-022 | Replacement Filter Elements for Applications involving Hydraulic and Lubrication Oils | Filter Elements for Return-Line Filters | 88 |
| RE-030 | Replacement Filter Elements for Applications involving Hydraulic and Lubrication Oils | Filter Elements for Return-Line Filters | 80 |
| RE-045 | Replacement Filter Elements for Applications involving Hydraulic and Lubrication Oils | Filter Elements for Return-Line Filters | 98 |
| REA | Return-Line Filters | Air Filter Element for RFB Series | 88 |
| REL | Replacement Filter Elements | Filter Elements for In-Line Filters SRFL-SW Series | 146 |
| RF | Return-Line Filters | Return-Line Filters for Tank-Top Mounting | 69 |
| RFA | Return-Line Filters | Return-Line Filters for Tank-Top Mounting | 77 |
| RFB | Return-Line Filters | Return-Line Filters for Tank-Top Mounting | 85 |
| RFS | Return-Line Filters | Return-Line Filters for Tank-Top Mounting | 93 |
| RFS-D | Return-Line Filters | Return-Line Filters for Tank-Top Mounting | 93 |
| RTE-20 | Replacement Filter Elements for Applications involving Hydraulic and Lubrication Oils | Filter Elements for Return-Line Filters | 110 |
| RTE-25 | Replacement Filter Elements for Applications involving Hydraulic and Lubrication Oils | Filter Elements for Return-Line Filters | 106 |
| RTE-47 | Replacement Filter Elements for Applications involving Hydraulic and Lubrication Oils | Filter Elements for Return-Line Filters | 112 |
| RTE-48 | Replacement Filter Elements for Applications involving Hydraulic and Lubrication Oils | Filter Elements for Return-Line Filters | 114/112 |
| RTE-49 | Replacement Filter Elements for Applications involving Hydraulic and Lubrication Oils | Filter Elements for Return-Line Filters | 112 |
| RTE-58 | Replacement Filter Elements for Applications involving Hydraulic and Lubrication Oils | Filter Elements for Return-Line Filters | 118 |
| RTEA | Return-Line Filters | Air Filter Element for RTF-20 Series | 110 |
| RTF-10/15/25 | Return-Line Filters | Return-Line Filters for Tank-Top Mounting | 103 |
| RTF-20 | Return-Line Filters | Return-Line Filters for Tank-Top Mounting | 107 |
| RTF-40 | Return-Line Filters | Return-Line Filters for Tank-Top Mounting | 111 |
| RTF-50 | Return-Line Filters | Return-Line Filters for Tank-Top Mounting | 115 |
| RTF-N | Return-Line Filters | Return-Line Filters for In-Tank Mounting | 119 |
| SAF-05 / 06 / 07 / 11 | Spin-On Filters | Spin-On Filter Heads | 153 |
| SAF-10 / 13 | Spin-On Filters | Spin-On Filter Heads | 154 |
| SBK | Replacement Filter Elements for Single, Double and Automatic Filters | Star-Pleated Elements, Basket and Ring Sieves | 32 |
| SBM | Replacement Filter Elements for Single, Double and Automatic Filters | Multimantle Elements | 33 |
| SBS | Replacement Filter Elements for Single, Double and Automatic Filters | Star-Pleated Elements, Basket and Ring Sieves | 32 |
| SBS-124 | Replacement Filter Elements for Single, Double and Automatic Filters | Paper, Fibreglass and Polyester Elements | 33 |
| SCFC | Filtration Systems | Filtration Systems STAUFF America | 209 |
| SE | Replacement Filter Elements for Applications involving Hydraulic and Lubrication Oils | Filter Elements for High Pressure Filters | 40/44/48/52 |
| SF | Pressure Filters | High Pressure Filters (Inline) | 37 |
| SF-63 | Spin-On Filters | Spin-On Filter Elements | 171 |
| SF-65 | Spin-On Filters | Spin-On Filter Elements | 172 |
| SF-67 | Spin-On Filters | Spin-On Filter Elements | 173 |
| SFA | Pressure Filters | Medium Pressure Filters (Inline) | 49 |
| SFC-35 / 36 | Spin-On Filters | Spin-On Filter Elements | 169 |
| SFC-57 / 58 | Spin-On Filters | Spin-On Filter Elements | 170 |
| SFCT-35 / 36 | Spin-On Filters | Spin-On Filter Elements | 169 |
| SFCT-57 / 58 | Spin-On Filters | Spin-On Filter Elements | 170 |
| SFK | Replacement Filter Elements for Single, Double and Automatic Filters | Screw-In and Plug-In Elements | 32 |
| SFK-320 | Replacement Filter Elements for Single, Double and Automatic Filters | Plastic Elements | 33 |
| SFK-439 | Replacement Filter Elements for Single, Double and Automatic Filters | Heavy Fuel Elements | 32 |
| SFK-445 | Replacement Filter Elements for Single, Double and Automatic Filters | Plastic Elements | 33 |
| SF-TM | Pressure Filters | High Pressure Filters (Top-mounted) | 41 |
| SFZ | Pressure Filters | High Pressure Filters (Sandwich) | 45 |



Product-Specific Abbreviations

| Abbreviation | Product Category | Product Description | Page |
|----------------------------------|---|---|-----------------------------|
| SLF-02 / 03 / 04 | Spin-On Filters | Spin-On Filter Head | 152 |
| SME | Replacement Filter Elements for Applications involving Hydraulic and Lubrication Oils | Filter Elements for Medium Pressure Filters | 62 |
| SMFS | Filtration Systems | Filtration Systems STAUFF Europe | 208 |
| SMPF | Pressure Filters | Medium Pressure Filters (Inline) | 59 |
| SMWV | Offline and Bypass Filters | Mini Water Vac | 204 |
| SPFC | Filtration Systems | Filtration Systems STAUFF Australia and New Zealand | 209 |
| SPFC-10 | Filtration Systems | Filtration Systems STAUFF America | 209 |
| SPG-C | Return-Line Filters | Visual Clogging Indicator for RF Series | 73 |
| SPG-C | Return-Line Filters | Visual Clogging Indicator for RFA Series | 81 |
| SPG-C | Return-Line Filters | Visual Clogging Indicator for RFB Series | 89 |
| SPG-C | Return-Line Filters | Visual Clogging Indicator for RFS Series | 99 |
| SPG-C | Return-Line Filters | Visual Clogging Indicator for RTF Series | 125 |
| SPG-C | Spin-On Filters | Visual Clogging Indicator for Spin-On Filters | 177 |
| SRFL-D | In-Line Filters | In-Line Filters - Duplex Housing | 129 |
| SRFL-S | In-Line Filters | In-Line Filters - Simplex Housing | 129 |
| SRFL-SW | In-Line Filters | In-Line Filters for Industrial Water | 143 |
| SRM | Replacement Filter Elements | Filter Elements for Offline and Bypass Filters | 181/188/ 194/198/ 201 |
| SSF-100 / 120 / 120L / 130 / 160 | Spin-On Filters | Spin-On Filter Heads | 157 |
| SSF-12 | Spin-On Filters | Spin-On Filter Head | 155 |
| SSF-150 / 180 | Spin-On Filters | Spin-On Filter Heads | 158 |
| SSF-20L | Spin-On Filters | Spin-On Filter Head | 156 |
| SSF-24B | Spin-On Filters | Double Spin-On Filter Head | 159 |
| SSF-24N / 24S | Spin-On Filters | Double Spin-On Filter Heads | 160 |
| SSF-25 | Spin-On Filters | Double Spin-On Filter Head | 163 |
| SSF-25B | Spin-On Filters | Double Spin-On Filter Head | 161 |
| SSF-25FM | Spin-On Filters | Double Spin-On Filter Head | 162 |
| SSFT-12 | Spin-On Filters | Tank Top Spin-On Filter Head | 165 |
| SSFT-12B | Spin-On Filters | Tank Top Spin-On Filter Head | 164 |
| SSFT-20 | Spin-On Filters | Tank Top Spin-On Filter Head | 167 |
| SSFT-20B | Spin-On Filters | Tank Top Spin-On Filter Head | 166 |
| WR-40 | Return-Line Filters | Weld Ring for RTF-40 Series | 113 |



Global Contact Directory

STAUFF products and services are globally available through wholly-owned subsidiaries and a tight network of authorised distributors and representatives in all major industrial regions of the world.

Contact information on this page may be subject to changes and additions over time. Frequently updated and complete contact information can always be found at www.stauff.com.

Germany



Walter Stauffenberg GmbH & Co. KG

Im Ehrenfeld 4
58791 Werdohl
Tel.: +49 2392 91 60
Fax: +49 2392 91 61 03
E-Mail: sales@stauff.com
www.stauff.com



Neuenrade-Küntrop Logistics Centre
Wasserburgstraße 35
58809 Neuenrade



Plettenberg-Ohle Production Site
Lennestraße 2
58840 Plettenberg



Meinerzhagen Production Site
Neugrünenthal
58540 Meinerzhagen

Europe

France

STAUFF S.A.S.

230, Avenue du Grain d'Or
Z.I. de Vineuil - Blois Sud
41354 Vineuil-cedex
Tel.: +33 2 54 50 55 50
Fax: +33 2 54 42 29 19
E-Mail: direction@stauffsa.com
www.stauff.fr

Ireland

STAUFF UK Ltd.

Block B, 9 Ferguson Drive
Knockmore Hill Industrial Estate
Lisburn, County Antrim, BT28 2EX
Tel.: +44 2892 60 69 00
Fax: +44 2892 60 26 88
E-Mail: sales@stauffireland.com
www.stauff.co.uk

Italy

STAUFF Italia s.r.l

Via Borima 21 (Frazione Borima)
23867 Suello (LC)
Tel.: +39 031 65 84 94
Fax: +39 031 65 50 05
E-Mail: sales@stauff.it
www.stauff.it

Poland

STAUFF Polska Sp. z o.o.

Miszewko 43 A
80-297 Banino
Tel.: +48 58 660 11 60
Fax: +48 58 629 79 52
E-Mail: sales@stauff.pl
www.stauff.pl

Russian Federation

STAUFF LLC

Building 1
19, Leninskaya Sloboda
Moscow, 115280
Tel.: +7 495 276 16 50
Fax: +7 495 276 16 51
E-Mail: sales@stauff.ru
www.stauff.ru

United Kingdom

STAUFF UK Ltd.

500, Carlisle Street East
Off Downgate Drive
Sheffield, S4 8BS
Tel.: +44 114 251 85 18
Fax: +44 114 251 85 19
E-Mail: sales@stauff.co.uk
www.stauff.co.uk

STAUFF UK Ltd.

Badentoy Avenue
Badentoy Industrial Estate
Portlethen, Aberdeen, AB12 4YB
Tel.: +44 1224 78 61 66
Fax: +44 1224 78 61 77
E-Mail: sales@stauffscotland.co.uk
www.stauff.co.uk

STAUFF UK Ltd.

Unit 9, Southampton Trade Park
Third Avenue, Millbrook
Southampton, SO15 0AD
Tel.: +44 2380 69 87 00
Fax: +44 2380 69 87 01
E-Mail: sales@stauffsouthampton.co.uk
www.stauff.co.uk

Further branch offices in
Engels, Volzhskiy, Magnitogorsk,
Nizhny Novgorod and St. Petersburg.

North America

Canada

STAUFF Canada Ltd.

866 Milner Avenue
Scarborough
Ontario M1B 5N7
Tel.: +1 416 282 46 08
Fax: +1 416 282 30 39
E-Mail: sales@stauffcanada.com
www.stauffcanada.com

United States

STAUFF Corporation

7 Wm. Demarest Place
Waldwick, 07463-1542
New Jersey
Tel.: +1 201 444 78 00
Fax: +1 201 444 78 52
E-Mail: sales@stauffusa.com
www.stauffusa.com

Further branch office in
Canton, Michigan.

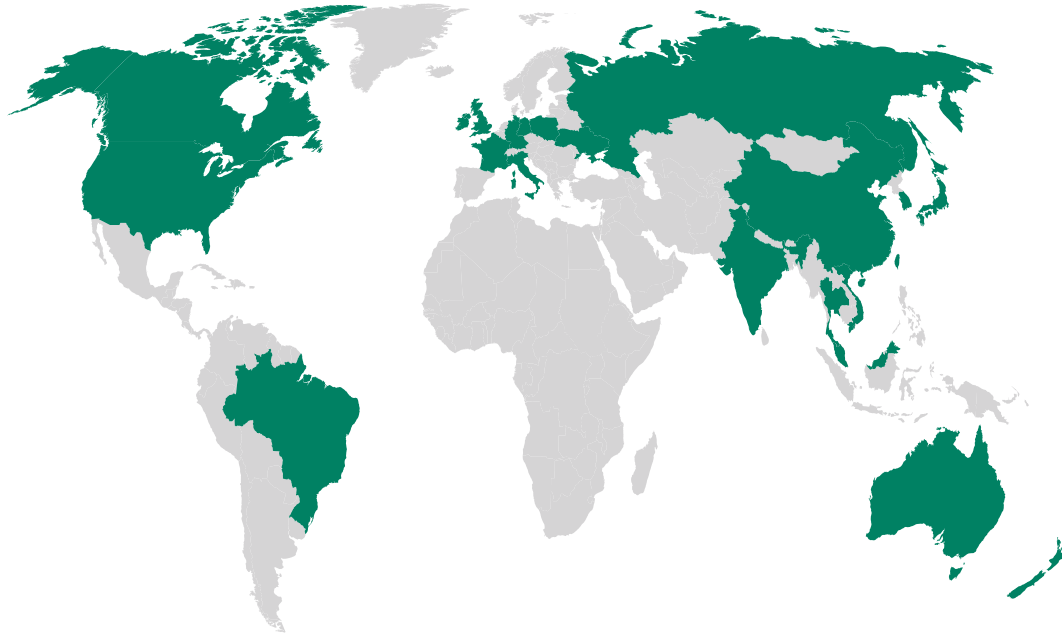
South America

Brazil

STAUFF Brasil Ltda.

Avenida Gupê 10767
Galpão 2 - Bloco A
Barueri, São Paulo, CEP 06422-120
Tel.: +55 11 47 72 72 00
Fax: +55 11 47 72 72 10
E-Mail: stauff@stauffbrasil.com
www.stauffbrasil.com





Asia

China

STAUFF CHINA

Building 1, No. 128, Die Qiao Road
Jushuo Industrial Zone, Kang Qiao
Shanghai, 201319
Tel.: +86 21 68 18 70 00
Fax: +86 21 68 18 71 36
E-Mail: info@stauff.com.cn
www.stauff.com.cn

Further branch offices in Beijing,
Changsha, Chengdu, Changchun,
Chongqing, Jinan, Harbin, Guangzhou,
Shenyang, Wuhan, Xian and Xuzhou.

India

STAUFF India Pvt. Ltd.

Gat no. 26/1 & 27, Sanghar Warehousing
Pune - Nagar Road
Lonikand - 412216
Tel.: +91 20 6731 4900
Fax: +91 20 6731 4905
E-Mail: sales@stauffindia.com
www.stauffindia.com

Korea

STAUFF Korea Ltd.

105, Hwajeonsandan 5-ro
Gangseo-gu
Busan, 46739
Tel.: +82 51 266 6666
Fax: +82 51 266 8866
E-Mail: info@stauff.co.kr
www.stauff.co.kr

Malaysia

STAUFF South East Asia Sdn Bhd

No. 8, Jalan SS13/6A
Subang Jaya Industrial Estate
47500 Subang Jaya
Tel.: +60 3 5637 78 88
Fax: +60 3 5636 78 90
E-Mail: sales@stauff.com.my
www.stauff.com.my

Thailand

STAUFF (Thailand) Co., Ltd.

10 Soi On-Nut 74/4
Pravet District
Bangkok 10250
Tel.: +66 2 721 73 23 / 24
Fax: +66 2 721 73 35
E-Mail: sales@stauff.co.th
www.stauff.co.th

Vietnam

STAUFF Vietnam Ltd.

2nd Floor, CT-IN Building
#435 Hoang Van Thu Street
Tan Binh District, Ho Chi Minh City
Tel.: +84 8 3948 10 41 / 42
Fax: +84 8 3948 10 44
E-Mail: sales@stauff.com.vn
www.stauff.com.vn

Oceania

Australia

STAUFF Corporation Pty Ltd

24-26 Doyle Avenue
Unanderra NSW 2526
Tel.: +61 2 4271 9000
Fax: +61 2 4271 8432
E-Mail: sales@stauff.com.au
www.stauff.com.au

Further branch offices in
Adelaide, Brisbane, Melbourne
and Sydney.

New Zealand

STAUFF Corporation (NZ) Ltd.

Unit D, 103 Harris Road
East Tamaki, Auckland 2013
Tel.: +64 9 912 1530
Fax: +64 9 912 1531
E-Mail: sales@stauff.co.nz
www.stauff.co.nz



Introduction

Filtration Guideline

Replacement Filter Elements

Pressure Filters

Return-Line Filters

In-Line Filters

Spin-On Filters

Offline and Bypass Filters

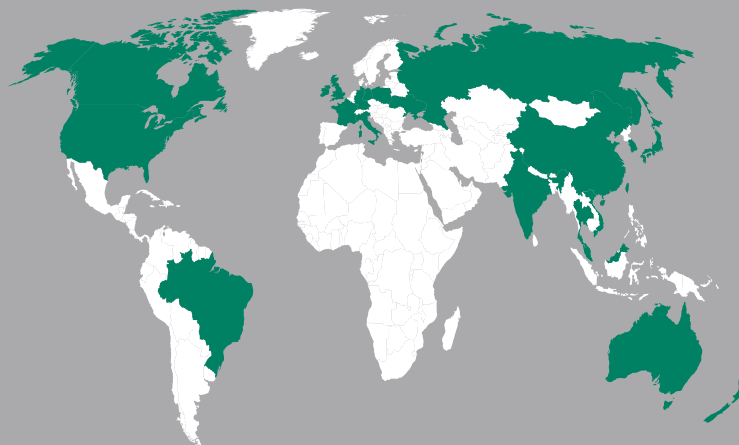
Filtration Systems

Appendix



Catalogue 9

STAUFF Filtration Technology



Germany

Walter Stauffenberg GmbH & Co. KG
Im Ehrenfeld 4
58791 Werdohl
Tel.: +49 2392 91 60
Fax: +49 2392 91 61 03
E-Mail: sales@stauff.com

STAUFF products and services are globally available through wholly-owned subsidiaries and a tight network of authorised distributors and representatives in all major industrial regions of the world.

You can find detailed contact information on the last two pages of this product catalogue or at

www.stauff.com

LubeTeam Hydraulic S.r.l.

Administration and Headquarter:

Via Tufara Scautieri, 6

83018 - San Martino Valle Caudina (AV)

Office and Warehouse:

S.S. 7 Appia, Km. 237,00

82011 - Airola BN

ITALY

Tel. +39 0823 950 994

Fax +39 0823 412 546

www.lubeteam.it info@lubeteam.it

Italian VAT / C.F. e P.IVA: 01251720627

Follow us



This document is the property of LubeTeam Hydraulic S.r.l. All data reported here are for the exclusive use of the Receiver. Reproduction is not authorized without writing permission, in all or in part of the content of this document, in accordance to Law 633 art. 171, dated April 22, 1941.

Il presente documento è di proprietà della LubeTeam Hydraulic S.r.l. I dati riportati sono per esclusivo del destinatario. La riproduzione, di tutto o in parte, non è autorizzata senza permesso scritto secondo l'art. 171 della L. 633 del 22 Aprile 1941.