



STUCCHI
Serie Speciale RT4-HP



 HYDRAULIC
COMPONENTS
& FLUID CONTAMINATION
CONTROL



All trademarks belong to their respective owners; third party trademarks, product names, trade names, corporate names and company names mentioned may be trademarks of their respective owners or registered trademarks of other companies and are used for instructional purposes and for the benefit of the owner, without any end of Copyright infringement in force.

Tutti i marchi riportati appartengono ai legittimi proprietari; marchi di terzi, nomi di prodotti, nomi commerciali, nomi corporativi e società citati possono essere di proprietà dei rispettivi titolari o registrati da altre società e sono stati utilizzati a puro scopo esplicativo e a beneficio del possessore, senza alcun fine di violazione dei diritti di Copyright vigenti.

RT4-HP

SPECIAL SERIES



Easy
CUP



Technical specifications and options

Interchange Stucchi profile	Sealing description Nitrile NBR	Connection system Screw to connect, pull the sleeve and unscrew to disconnect
Available sizes 1/8"	Material /treatment Carbon steel/Cr3	Available threads SAE
Operating pressure Up to 700 bar in P line	Locking mechanism Screw to connect	Flow rate 6 l/min
Temperature -20°C / +100°C	Valving style Flat face	Connection under pressure Connectable with pressure in female / Provided with special Shunt system

Benefits

- Two parallel 1/8" lines connecting concurrently
- Quick to connect by hand rotating the sleeve holder for 150°
- Shunt system in the male coupling: when the male part is disconnected, the pressure line is connected with the return line, allowing to connect with pressure into the system
- Swivel joint to avoid torsion of the hoses
- Safety lock sleeve to avoid accidental disconnection
- Guidance pin to avoid wrong connection
- Easy connection thanks to the visual feedback on the ring and to the extra grip knurling
- Larger oil passages compared to the competition to increase the speed of work
- Flat face couplings for a reduced contamination
- Minimal spillage and inclusion of air
- Easy to use
- Compact design
- Hydraulic Equipment

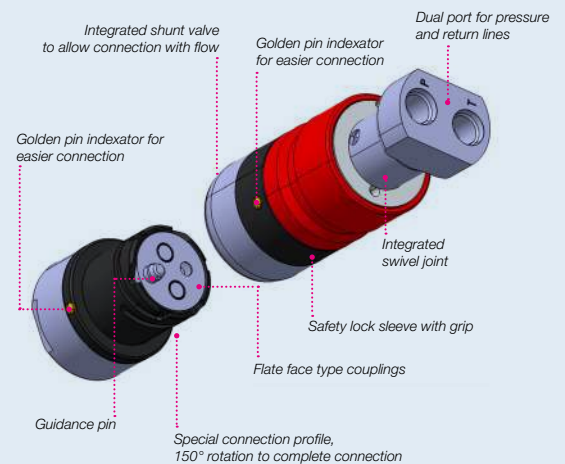
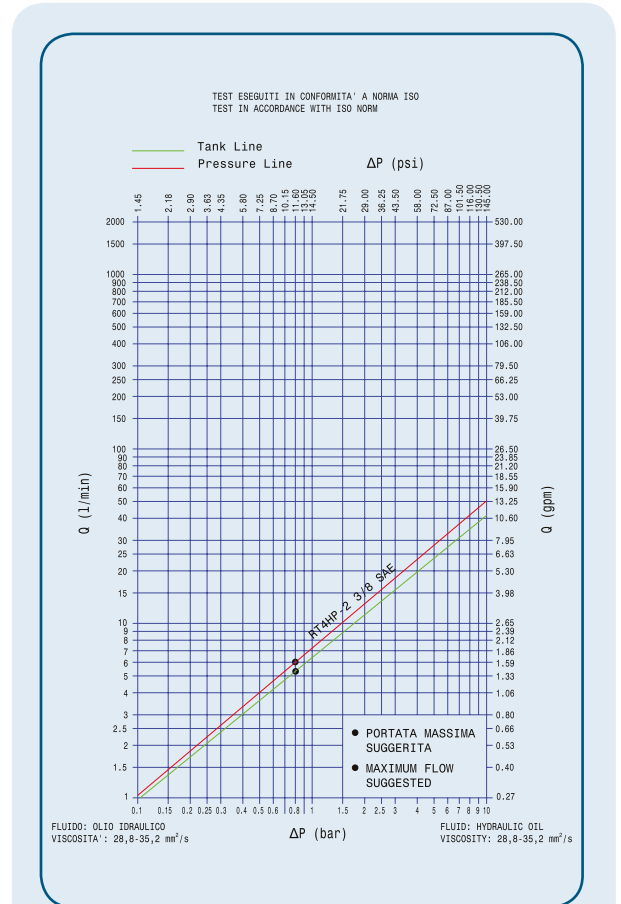
How to use

How to connect

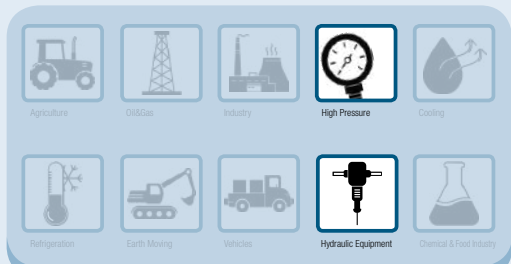
- 1 - Remove the caps, clean the mating surfaces prior to connect
- 2 - Align the female coupling ID Gold Pin with the male coupling ID Gold Pin, along with the guidance pin, then connect
- 3 - Rotate for 150° and engage the locking system

How to disconnect

- 1 - Pull back the safety sleeve to unlock
- 2 - Rotate back the sleeve for 150°
- 3 - Disconnect
- 4 - Apply the caps



MAIN APPLICATIONS



Performances

Size	Series	Max. flow suggeste		Spillage*	Max. operating pressure in P line	
		l/min	GPM		Coupled	
Inch				ml	MPa	psi
1/8"	RT4HP	6	1,59	0,005	70	10000

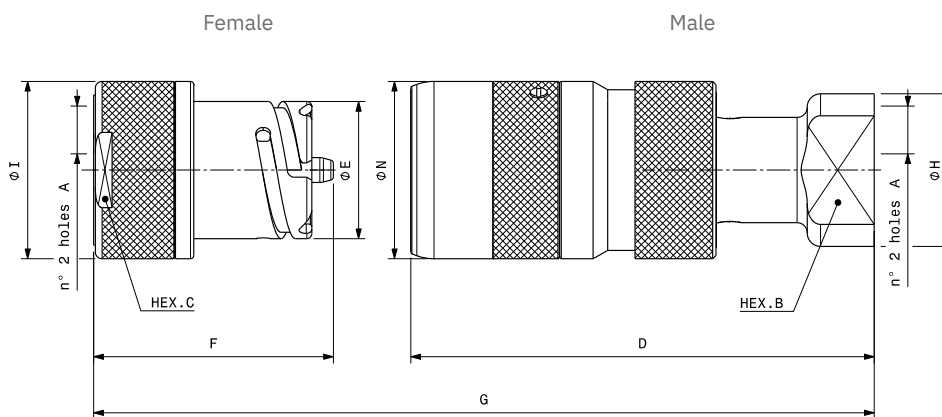
* Spillage is an indicative value of the fluid loss per couple-uncouple cycle.

Temperature range: Standard seals NBR (Nitrile) from -20°C to +100 °C (from -4 °F to +212 °F).

Tests: The couplings have been tested at impulse with max. operating pressure for 10.000 impulses according to ISO norm test method.

Other threads available upon request.

Special seals compatible with phosphate ester fluid (fire resistance fluid) available upon request.

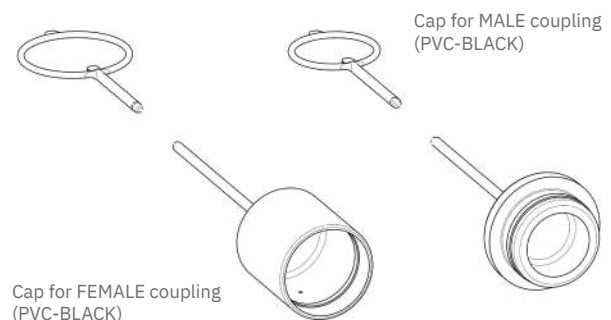


Overall dimensions

Size	Descriptive code	Item code	PORT (A)	Overall length		Length		Hex		Diameter		Diameter		
				mm	inch	mm	inch	mm	inch	mm	inch	mm	inch	
1/8"	F RT4HP-2 3/8 SAE	809804002	9/16-18UNF	G	168,8	F	71,6	2,81	C	48	1,89	I	53	2,08
	M RT4HP-2 3/8 SAE	809804003	9/16-18UNF	E	6,64	D	138,4	5,45	B	32	1,26	H	45,6	1,79

Protective caps for RT4-HP series

Part Number	Protective caps
815603016	CAP FOR F RT4HP (PVC-BLACK)
815603017	CAP FOR M SAE RT4HP (PVC-BLACK)



⚠ WARNING

A defect, a wrong choice or an improper use of products, can cause injury to persons, animals and objects.

Do not use the female coupling disconnected with high impulse pressure.

Do not couple-uncouple when the temperature inside of the circuit is higher than 80 °C (176 °F).

Check the maximum allowable working pressure of the port in use.

Make sure that the medium used is compatible with seal and material as indicated for each series.

In case of doubt please contact Stucchi Technical Support.

It is MANDATORY to read and closely follow the instructions. Last updated version always applies at time of installation, see latest Instructions and warnings on Stucchi website before selecting or using Stucchi products.

LubeTeam Hydraulic S.r.l.

Administration and Headquarter:

Via Tufara Scautieri, 6

83018 - San Martino Valle Caudina (AV)

Office and Warehouse:

S.S. 7 Appia, Km. 237,00

82011 - Airola BN

ITALY

Tel. +39 0823 950 994

Fax +39 0823 412 546

www.lubeteam.it info@lubeteam.it

Italian VAT / C.F. e P.IVA: 01251720627

Follow us



This document is the property of LubeTeam Hydraulic S.r.l. All data reported here are for the exclusive use of the Receiver. Reproduction is not authorized without writing permission, in all or in part of the content of this document, in accordance to Law 633 art. 171, dated April 22, 1941.

Il presente documento è di proprietà della LubeTeam Hydraulic S.r.l. I dati riportati sono per esclusivo del destinatario. La riproduzione, di tutto o in parte, non è autorizzata senza permesso scritto secondo l'art. 171 della L. 633 del 22 Aprile 1941.