

PALL

HNP006

depuratori per il condizionamento dei fluidi



 HYDRAULIC
COMPONENTS
& FLUID CONTAMINATION
CONTROL



Pall Corporation

HNP006 Series

FLUID CONDITIONING PURIFIERS

Fluid viscosities to 700cSt

Reliability of systems, the life of system components and fluids can be extended by minimising water contamination.

The 'Pall' HNP006 Purifier is designed to remove water from oil in low volume systems or where access for conditioning equipment is limited

Benefits of Pall HNP006 Purifier

- **High performance** water, gas and particulate removal
- **Simple** automated operation
- Extension of fluid life
- Purification of system fluids
- Increased equipment reliability
- Minimised corrosion within systems
- Remote monitoring option
- Reduced fluid disposal
- **Reduced operating costs**



Pall HNP006 Portable Oil Purifier (front view)

Pall purifiers remove 100% of free water and in excess of 80% of dissolved water. They also remove 100% of free and entrained gases and in excess of 80% of dissolved gases.

The **Pall** HNP006 fluid conditioning purifier can be used as a fixed installation or portable unit that is easily removed and connected to any fluid system.

This compact purifier design is based on the existing range of fluid conditioning products, it's size and weight allow for ease of handling through restricted openings and can be located close to existing systems where space is limited.



Pall HNP006 Portable Oil Purifier (rear view)

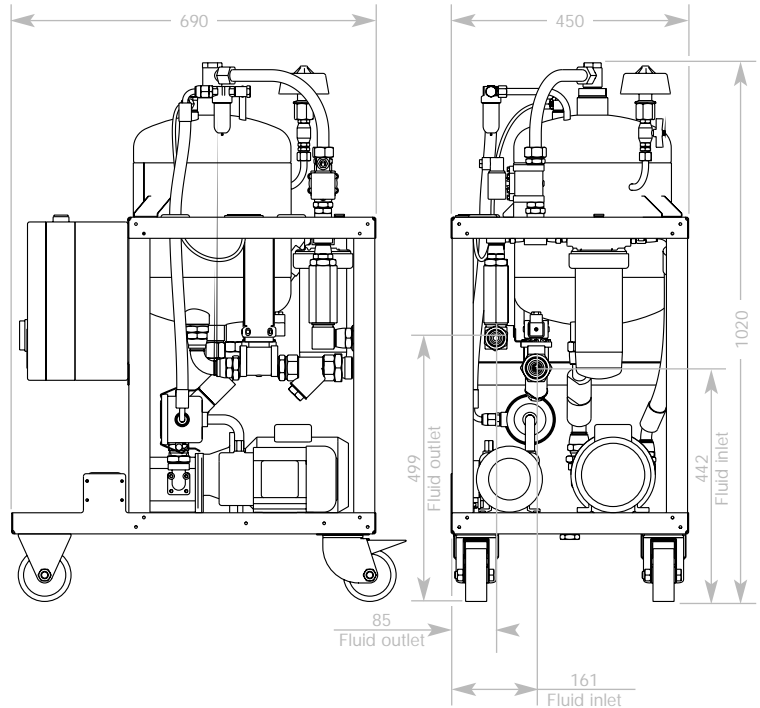
General Specification

Dimensions:	690mm x 450mm x 1020mm
Dry mass:	69 kg
Inlet connections:	1 1/4" BSPP
Outlet connections:	1" BSPP
Recirculation Flow rate:	10 L/min
Tank Turnover Rate:	240L/hr
Inlet pressure:	10 bar g maximum
Outlet pressure:	7 bar g maximum
Service temperature:	+10°C to +70°C
Fluid viscosity:	700 cSt maximum
Operating vacuum:	-0.6 to -0.8 barg [adjustable]
Power supply:	See Table 1
Total Motor power:	0.72kW @ 50Hz

Materials of Construction

Base frame, vessel:	304 Stainless steel
Threaded fittings, fasteners:	Zinc plated carbon steel
Control box:	Polycarbonate
Hoses:	Fluorocarbon
Seals:	Fluorocarbon

Note: Pall fluid conditioning purifiers comply with all applicable EC directives and bears the CE mark.



Ordering Information

Purifier Part Number:

HNP006 **5**

Table 1 Table 2 Table 3 Table 4

Replacement Element Part Number:

HC9600F **8Z**

Table 2

Replacement Air Breather Element

R01F400

Other options available on request.

Table 1. Voltage

Code	Voltage
F	110 VAC
N	230 VAC

Table 2. Element Rating

Code	Rating (μm) ($\beta_{x(c)} \geq 1000$)*
KP	5
KN	7
KS	12
KT	22

Table 3. Seal Option

Code	Test Fluid
H	Mineral Oil
Z	Industrial Phosphate Ester

Table 4. Mounting Option

Code	Material
C	Mobile
N	Static



Pall Corporation

Pall Machinery and Equipment

Portsmouth - **UK/Europe**
 +44 (0)23 9230 3303 telephone
 +44 (0)23 9230 2507 fax
 m&e_sales@pall.com

New York - **USA**
 800 333 7255 toll free
 +1 516 484 3600 telephone
 +1 516 484 3825 fax
 www.pall.com/m&e

Visit us on the web at www.pall.com/m&e

Pall Corporation has offices and plants throughout the world in locations including: Argentina, Australia, Austria, Belgium, Brazil, Canada, China, France, Germany, Hong Kong, India, Indonesia, Ireland, Italy, Japan, Korea, Malaysia, Mexico, the Netherlands, New Zealand, Norway, Poland, Puerto Rico, Russia, Singapore, South Africa, Spain, Sweden, Switzerland, Taiwan, Thailand, United Kingdom, United States, and Venezuela. Distributors are located in all major industrial areas of the world.

Because of developments in technology these data or procedures may be subject to change. Consequently we advise users to review their continuing validity annually. Part numbers quoted above are protected by the Copyright of Pall Europe Limited.

PALL and Pall are trade marks of Pall Corporation.
 Filtration. Separation. Solution is a service mark of Pall Corporation.
 ® indicates a trademark registered in the USA.
 ©2003, Pall Europe Limited.

LubeTeam Hydraulic S.r.l.

Administration and Headquarter:

Via Tufara Scautieri, 6

83018 - San Martino Valle Caudina (AV)

Office and Warehouse:

S.S. 7 Appia, Km. 237,00

82011 - Airola BN

ITALY

Tel. +39 0823 950 994

Fax +39 0823 412 546

www.lubeteam.it info@lubeteam.it

Italian VAT / C.F. e P.IVA: 01251720627

Follow us



This document is the property of LubeTeam Hydraulic S.r.l. All data reported here are for the exclusive use of the Receiver. Reproduction is not authorized without writing permission, in all or in part of the content of this document, in accordance to Law 633 art. 171, dated April 22, 1941.

Il presente documento è di proprietà della LubeTeam Hydraulic S.r.l. I dati riportati sono per esclusivo del destinatario. La riproduzione, di tutto o in parte, non è autorizzata senza permesso scritto secondo l'art. 171 della L. 633 del 22 Aprile 1941.