

Scambiatori Aria-Olio
Air-Oil Heat-Exchangers
HPA LARGER Series



 HYDRAULIC
COMPONENTS
& FLUID CONTAMINATION
CONTROL

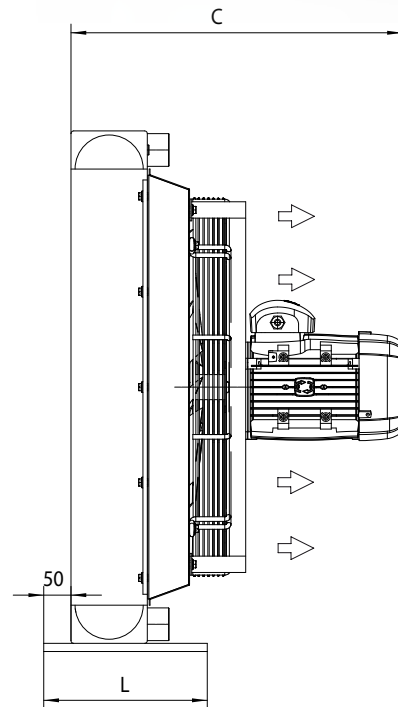
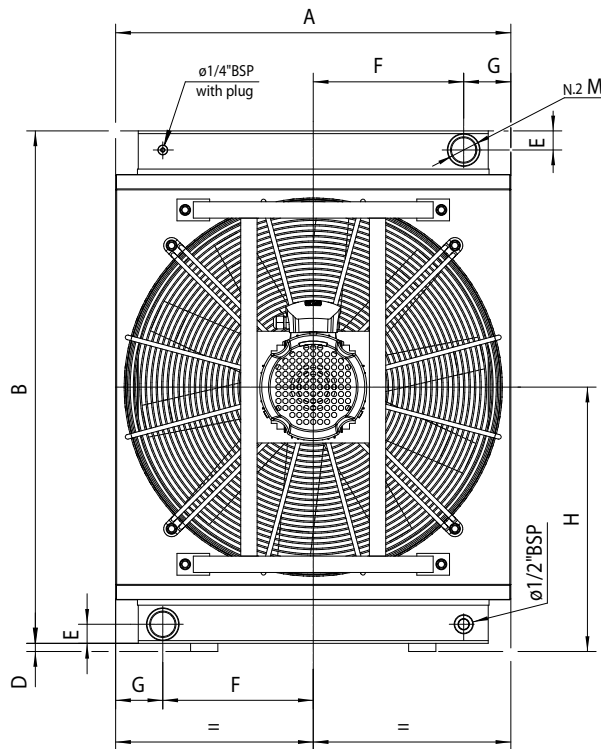
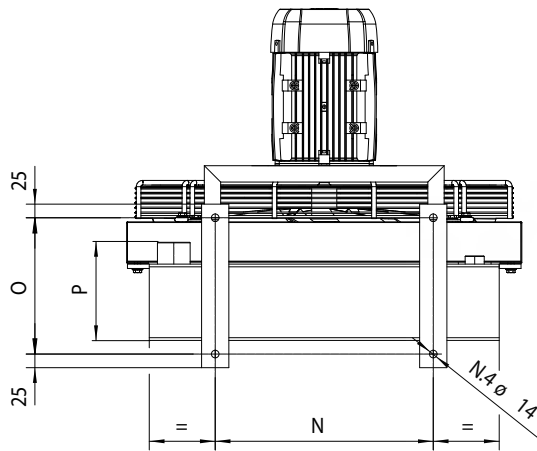


All trademarks belong to their respective owners; third party trademarks, product names, trade names, corporate names and company names mentioned may be trademarks of their respective owners or registered trademarks of other companies and are used for instructional purposes and for the benefit of the owner, without any end of Copyright infringement in force.

Tutti i marchi riportati appartengono ai legittimi proprietari; marchi di terzi, nomi di prodotti, nomi commerciali, nomi corporativi e società citati possono essere di proprietà dei rispettivi titolari o registrati da altre società e sono stati utilizzati a puro scopo esplicativo e a beneficio del possessore, senza alcun fine di violazione dei diritti di Copyright vigenti.

HPA LARGER SERIES

AC ELECTRIC MOTOR



Le dimensioni di ingombro e le caratteristiche tecniche non sono impegnative
Over-all dimensions and technical characteristic are not binding

Dimensions

Model	A	B	C	D	E	F	G	H	L	M	N	O	P
HPA 72 A035700400B#1	725	940	608	15	35	276	86,5	485	300	1 1/2" BSP	400	250	180

Technical data

Model	V	kW	A	Rpm	IP	dB(A)	lt	kg
HPA 72 A035700400B#1	230-400V 50Hz / 265-460V 60Hz	2,2 / 2,5	8,3 -4,8 / 8,3-4,8	1435 /1722	55	79 / 82	19	105

The noise levels are referred to the fan sound pressure only @ 1mt (anechoic chamber)

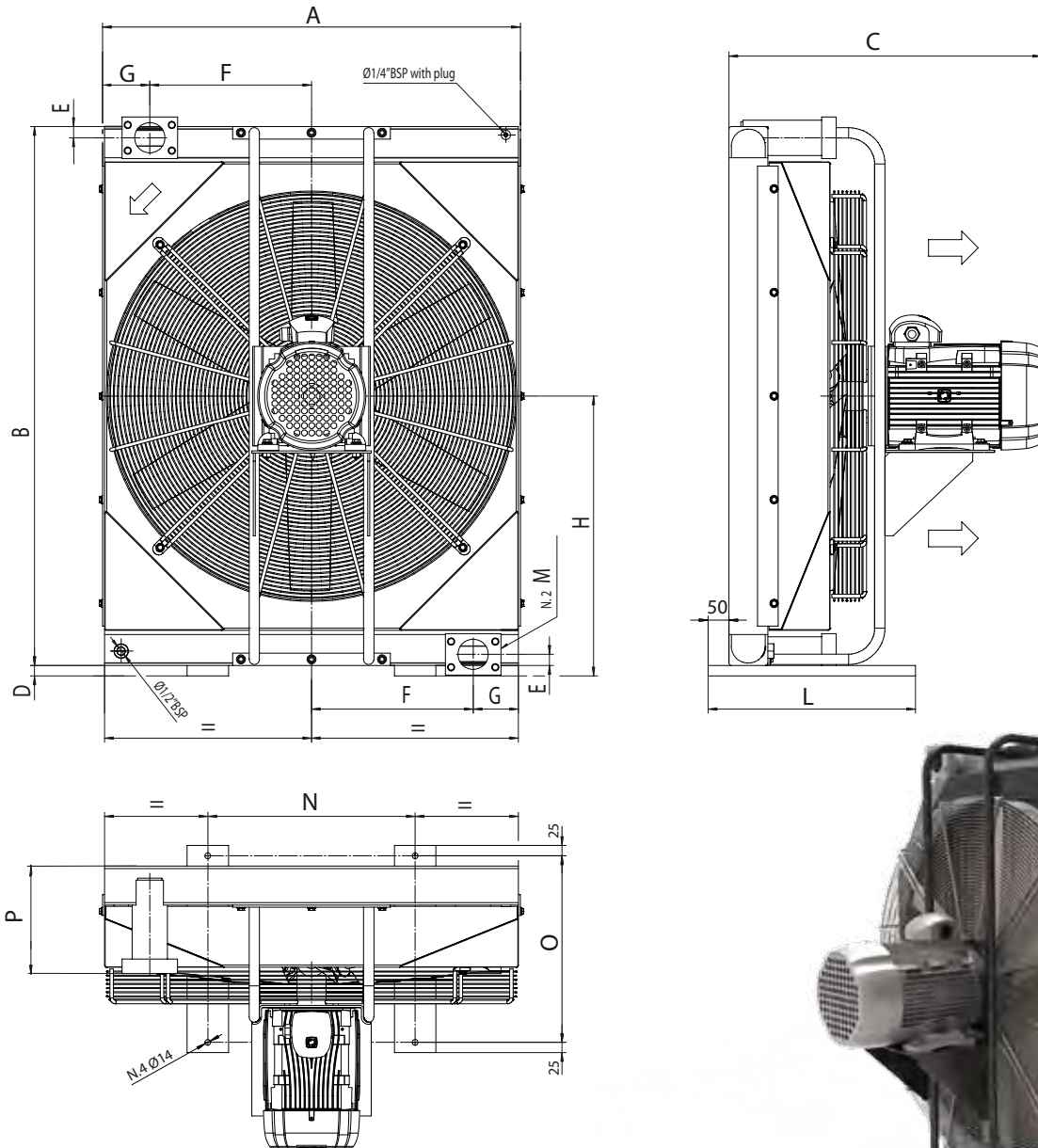
We indicate this value, because the noise level depends on the environment where the cooler will be installed.

HPA LARGER SERIES

AC ELECTRIC MOTOR



EMMEGI SpA www.emmegi-heat-exchangers.com
DESIGN AND MANUFACTURE OF HEAT EXCHANGERS



Le dimensioni di ingombro e le caratteristiche tecniche non sono impegnative
Over-all dimensions and technical characteristic are not binding

Dimensions

Model	A	B	C	D	E	F	G	H	L	M	N	O	P
HPA 135 A03750A400B#1	1008	1300	721	25	27	390	109	675	500	SAE 2.1/2"*	500	450	162
HPA 180 A03280A400B#1	1008	1290	776	25	27	390	109	670	500	SAE 2.1/2"*	500	450	181
HPA 255 A03790A400B#1	1182	1310	1052	25	27	477	109	680	700	SAE 2.1/2"*	650	650	228

* Flange : SAE 3000

Technical data

Model	V	KW	A	Rpm	IP	dB(A)	lt	Kg
HPA 135 A03750A400B#1	230-400V 50Hz / 265-460V 60Hz	3,0 / 3,5	12,1- 7,0 / 12,1- 7,0	969 / 1163	55	76 / 80	26	126
HPA 180 A03280A400B#1	400-690V 50Hz / 460-795V 60Hz	7,5 / 8,6	14,4- 8,3 / 14,4- 8,3	1450 / 1740	55	85 / 89	31	200
HPA 255 A03790A400B#1	400-690V 50Hz / 460-795V 60Hz	15 / 17,3	28,1-16,3 / 28,1-16,3	1456 / 1747	55	90 / 94	56	358

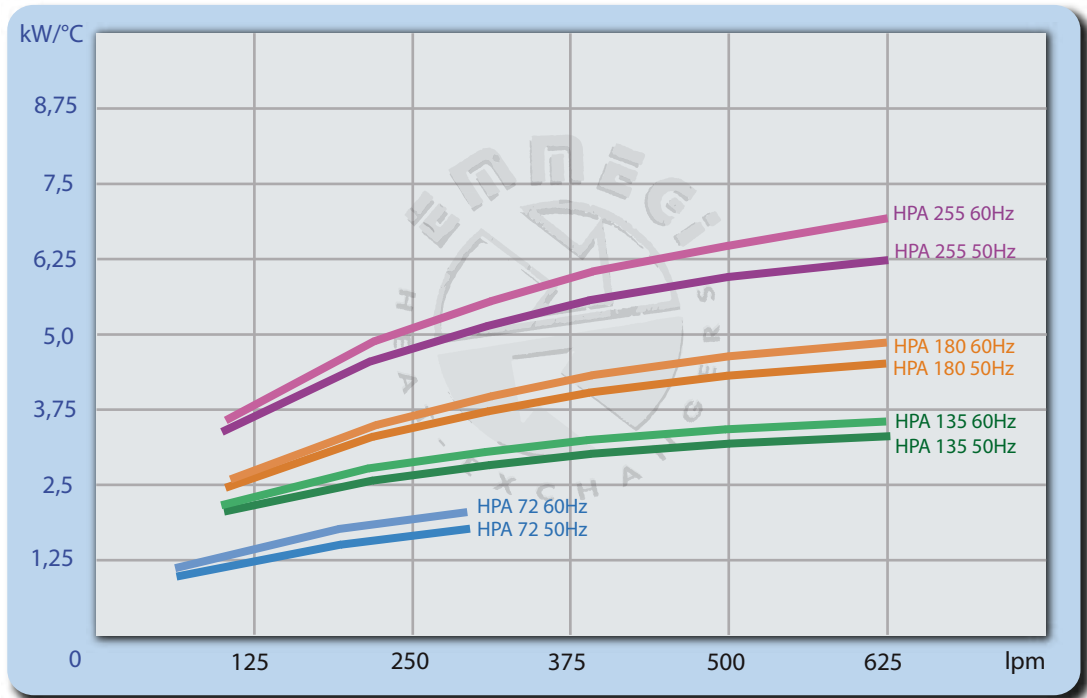
The noise levels are referred to the fan sound pressure only @ 1mt (anechoic chamber)

We indicate this value, because the noise level depends on the environment where the cooler will be installed.

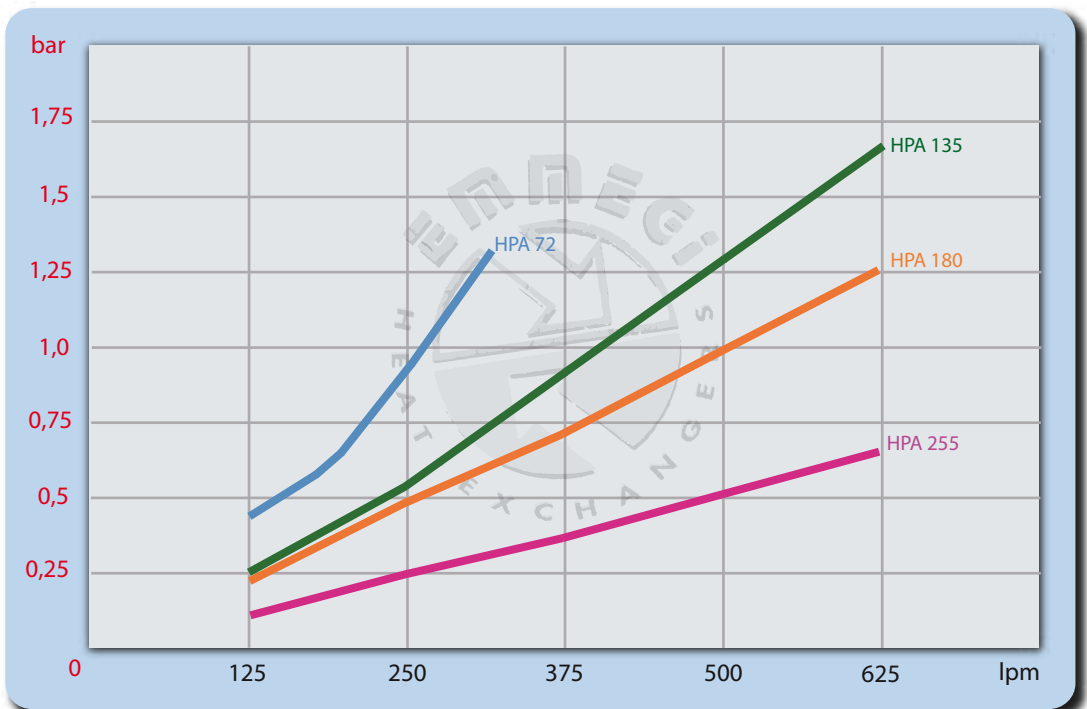
HPA LARGER SERIES

AC ELECTRIC MOTOR

Performance diagram with oil ISO VG 32 @ 50°C



Pressure drop with oil ISO VG 32 @ 50°C



LubeTeam Hydraulic S.r.l.

Administration and Headquarter:

Via Tufara Scautieri, 6

83018 - San Martino Valle Caudina (AV)

Office and Warehouse:

S.S. 7 Appia, Km. 237,00

82011 - Airola BN

ITALY

Tel. +39 0823 950 994

Fax +39 0823 412 546

www.lubeteam.it info@lubeteam.it

Italian VAT / C.F. e P.IVA: 01251720627

Follow us



This document is the property of LubeTeam Hydraulic S.r.l. All data reported here are for the exclusive use of the Receiver. Reproduction is not authorized without writing permission, in all or in part of the content of this document, in accordance to Law 633 art. 171, dated April 22, 1941.

Il presente documento è di proprietà della LubeTeam Hydraulic S.r.l. I dati riportati sono per esclusivo del destinatario. La riproduzione, di tutto o in parte, non è autorizzata senza permesso scritto secondo l'art. 171 della L. 633 del 22 Aprile 1941.