



ALFA LAVAL

Scambiatori di Calore a Fusione Bonding

AlfaNova AQ



 HYDRAULIC  
COMPONENTS  
& FLUID CONTAMINATION  
CONTROL



All trademarks belong to their respective owners; third party trademarks, product names, trade names, corporate names and company names mentioned may be trademarks of their respective owners or registered trademarks of other companies and are used for instructional purposes and for the benefit of the owner, without any end of Copyright infringement in force.

Tutti i marchi riportati appartengono ai legittimi proprietari; marchi di terzi, nomi di prodotti, nomi commerciali, nomi corporativi e società citati possono essere di proprietà dei rispettivi titolari o registrati da altre società e sono stati utilizzati a puro scopo esplicativo e a beneficio del possessore, senza alcun fine di violazione dei diritti di Copyright vigenti.



# Feet

## Brazed and Fusion-bonded Heat Exchangers

Alfa Laval offers a wide range of accessories to our products. Below feet and floor support kits are available from stock.

### Floor support kit, adjustable foot

Material: Black painted steel

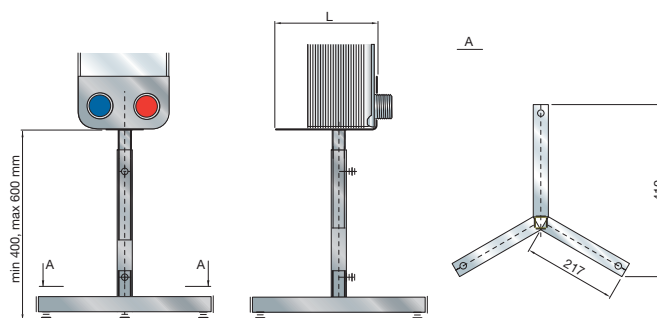
**CB30, CB60, AlfaNova 27** (Fits connections 1¼" and smaller)

Nbr. of plates	L (mm)	Item id
10-60	45	34560 8980 1
61-100	130	34560 8980 2

**CB110, CB112, AlfaNova 76** (Fits connections 2½" and smaller)

Nbr. of plates	L (mm)	Item id
10-60	190	34560 9080 1
61-90	260	34560 9080 4

The adjustable foot can be combined with heating insulations (min. 22 plates).



### Floor support kit

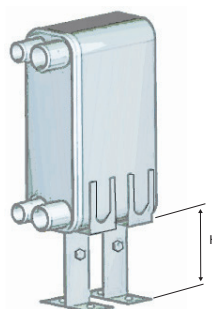
Material: Galvanized steel

**CB30, CB60, AlfaNova 27, AlfaNova 52**

Nbr. of plates	H (mm)	Item id	Kit contains
24-50	124	34568 5320 1	1 foot
52-150	124	34568 5320 2	2 feet

**CB110, CB112, AlfaNova 76**

Nbr. of plates	H (mm)	Item id	Kit contains
46-100	148	34568 5330 1	1 foot
102-150	148	34568 5330 2	2 feet



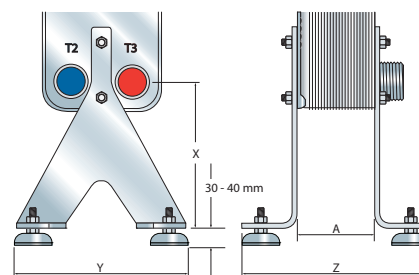
### Rigid feet

Require studbolts on the heat exchanger.

Material: Galvanized steel

Model	X (mm)	Y (mm)	Z (mm)	Item id
AlfaNova 76				
CB110, CB112, AC220EQ	195	269	A + 180	34565 4450 1
CB200, AlfaNova 200	185	400	A + 160	Incl. in the heat exchanger
CB210	200	400	A + 160	Incl. in the heat exchanger
CB300	217 (S2) / 195 (S3)	466	A + 260	Incl. in the heat exchanger
CB400, AlfaNova 400	212	466	A + 260	Incl. in the heat exchanger
CB410	224	490	A + 220	Incl. in the heat exchanger

The rigid feet can be combined with heating and cooling insulations.



**How to contact Alfa Laval**

Up-to-date AlfaLaval contact details for all countries are always available on our website on [www.alfalaval.com](http://www.alfalaval.com)



## LubeTeam Hydraulic S.r.l.

*Administration and Headquarter:*

Via Tufara Scautieri, 6  
83018 - San Martino Valle Caudina (AV)

*Office and Warehouse:*

S.S. 7 Appia, Km. 237,00

82011 - Airola BN

ITALY

Tel. +39 0823 950 994

Fax +39 0823 412 546

[www.lubeteam.it](http://www.lubeteam.it) [info@lubeteam.it](mailto:info@lubeteam.it)

Italian VAT / C.F. e P.IVA: 01251720627

Follow us



This document is the property of LubeTeam Hydraulic S.r.l. All data reported here are for the exclusive use of the Receiver. Reproduction is not authorized without writing permission, in all or in part of the content of this document, in accordance to Law 633 art. 171, dated April 22, 1941.

Il presente documento è di proprietà della LubeTeam Hydraulic S.r.l. I dati riportati sono per esclusivo del destinatario. La riproduzione, di tutto o in parte, non è autorizzata senza permesso scritto secondo l'art. 171 della L. 633 del 22 Aprile 1941.