



ALFA LAVAL  
Scambiatori di Calore Guarnizionati  
Hygienic Line



 HYDRAULIC  
COMPONENTS  
& FLUID CONTAMINATION  
CONTROL



All trademarks belong to their respective owners; third party trademarks, product names, trade names, corporate names and company names mentioned may be trademarks of their respective owners or registered trademarks of other companies and are used for instructional purposes and for the benefit of the owner, without any end of Copyright infringement in force.

Tutti i marchi riportati appartengono ai legittimi proprietari; marchi di terzi, nomi di prodotti, nomi commerciali, nomi corporativi e società citati possono essere di proprietà dei rispettivi titolari o registrati da altre società e sono stati utilizzati a puro scopo esplicativo e a beneficio del possessore, senza alcun fine di violazione dei diritti di Copyright vigenti.

# Alfa Laval H4

## Gasketed plate heat exchanger for hygienic applications

### Introduction

Alfa Laval Hygienic line is a range of premium heat exchangers specifically developed for pharmaceutical, dairy, beverage, brewery and other industries where hygiene standards must not be compromised.

The optimal flow distribution ensures superior cleanability and long operating times. Our special plate pattern provides gentle treatment of delicate products. Several innovative design features of both plate and gasket enable safe food production.

### Applications

- Biotech and Pharmaceutical
- Food, Dairy and Beverages
- Home and Personal care

### Benefits

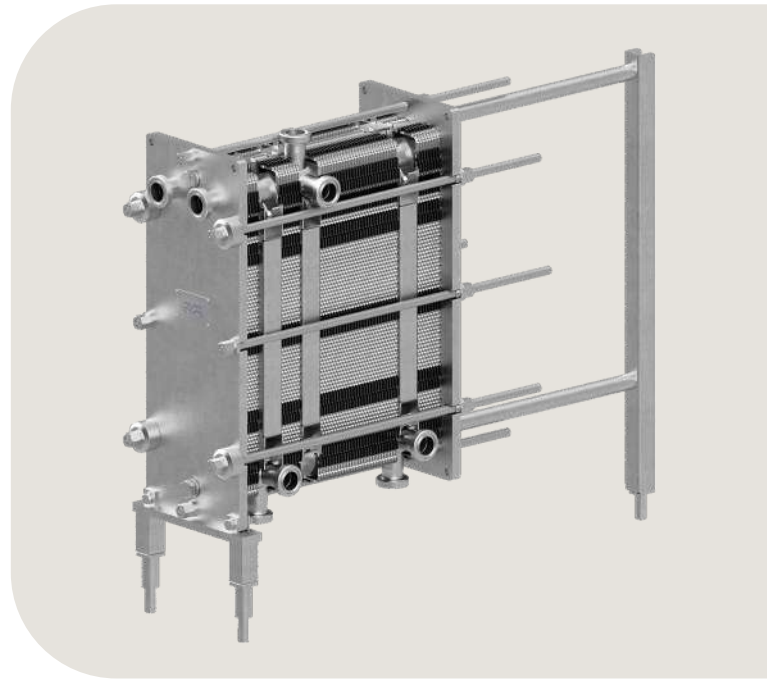
- Superior hygienic standards – plates designed with food safety as top priority
- Gentle treatment of sensitive products
- Uncompromising cleanliness
- Superior distribution for long running hours
- Gives a plate package with perfect match between the plates
- Flexible configuration – possible to rebuild the heat exchanger

### Features

Every detail is carefully designed to ensure the highest hygienic standards, gentle product treatment and efficient cleaning. Selection of available features, depending on configuration some features may not be applicable:



- CurveFlow™ distribution area
- Smooth port
- ClipGrip™ gasket attachment
- Hygienic leak chamber
- SteerLock™ plate alignment
- Interchangeable corners
- Hygienic adjustable feet



### Alfa Laval 360° Service Portfolio

Our extensive service offering ensure top performance from your Alfa Laval equipment throughout its life cycle. The Alfa Laval 360 Service Portfolio include installation services, cleaning and repair as well as spare parts, technical documentation and trouble shooting. We also offer replacement, retrofit, integrity testing, monitoring and much more.

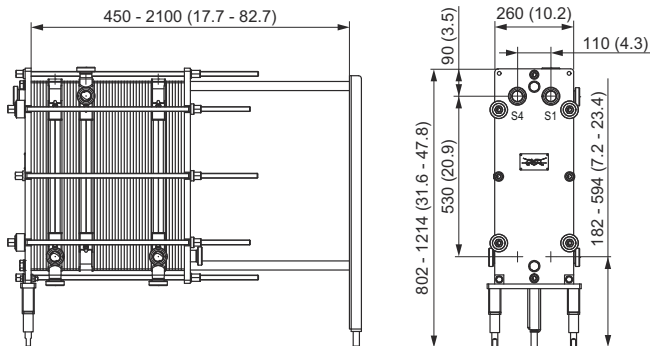
For information about our complete service offering and how to contact us - please visit [www.alfalaval.com/service](http://www.alfalaval.com/service).

### General remarks for technical information

- The global offering presented in this leaflet may not be available for all regions
- All combinations may not be configurable

### Dimensional drawing

Measurements mm (inches)



### Technical data

Plates	Type	Free channel, mm (inches)
P	Single plate	3.00 (0.12)

#### Materials

Heat transfer plates	Alloy 316, Titanium
Field gaskets	NBR, EPDM
Frame and pressure plate	Solid stainless steel

Other materials may be available on request

The plate heat exchanger is manufactured according to 3A certification.

The gaskets are produced in compliance with the regulations of FDA and China GB.

### Operational data

Frame type	Max. design pressure (barg/psig)	Max. design temperature (°C/°F)
SG, ALS	16.0/232	160/320
SG, PED	16.0/232	160/320

Extended pressure and temperature rating may be available on request.

### Connections

Clamp, SMS, DIN (unions and flanges), BS/RJT, FN1, and IDF/ISO.

This document and its contents are subject to copyrights and other intellectual property rights owned by Alfa Laval Corporate AB. No part of this document may be copied, re-produced or transmitted in any form or by any means, or for any purpose, without Alfa Laval Corporate AB's prior express written permission. Information and services provided in this document are made as a benefit and service to the user, and no representations or warranties are made about the accuracy or suitability of this information and these services for any purpose. All rights are reserved.

### How to contact Alfa Laval

Up-to-date Alfa Laval contact details for all countries are always available on our website at [www.alfalaval.com](http://www.alfalaval.com)



# Alfa Laval H8

## Gasketed plate heat exchanger for hygienic applications

### Introduction

Alfa Laval Hygienic line is a range of premium heat exchangers specifically developed for pharmaceutical, dairy, beverage, brewery and other industries where hygiene standards must not be compromised.

The optimal flow distribution ensures superior cleanability and long operating times. Our special plate pattern provides gentle treatment of delicate products. Several innovative design features of both plate and gasket enable safe food production.

### Applications

- Biotech and Pharmaceutical
- Food, Dairy and Beverages
- Home and Personal care

### Benefits

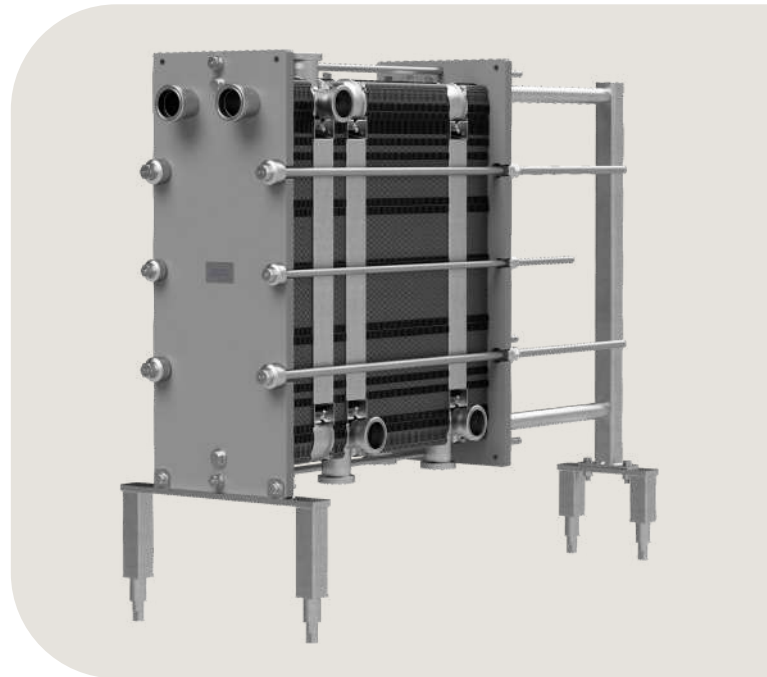
- Superior hygienic standards – plates designed with food safety as top priority
- Gentle treatment of sensitive products
- Uncompromising cleanliness
- Superior distribution for long running hours
- Gives a plate package with perfect match between the plates
- Flexible configuration – possible to rebuild the heat exchanger

### Features

Every detail is carefully designed to ensure the highest hygienic standards, gentle product treatment and efficient cleaning. Selection of available features, depending on configuration some features may not be applicable:



- SmoothPort™
- ClipGrip™ gasket attachment
- Hygienic leak chamber
- SteerLock™ plate alignment
- Interchangeable corners
- Hygienic adjustable feet
- EquiFlow™
- CleanChannel™



### Alfa Laval 360° Service Portfolio

Our extensive service offering ensure top performance from your Alfa Laval equipment throughout its life cycle. The Alfa Laval 360 Service Portfolio include installation services, cleaning and repair as well as spare parts, technical documentation and trouble shooting. We also offer replacement, retrofit, integrity testing, monitoring and much more.

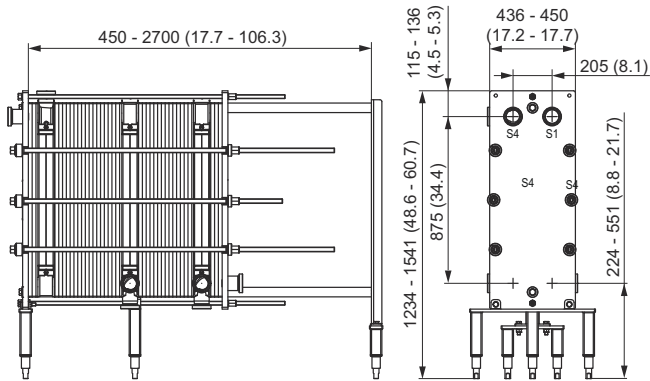
For information about our complete service offering and how to contact us - please visit [www.alfalaval.com/service](http://www.alfalaval.com/service).

## General remarks for technical information

- The global offering presented in this leaflet may not be available for all regions
- All combinations may not be configurable

## Dimensional drawing

Measurements mm (inches)



## Technical data

Plates	Type	Free channel, mm (inches)
P	Single plate	3 (0.1)

### Materials

Heat transfer plates	Alloy 316, Titanium
Field gaskets	NBR, EPDM
Frame and pressure plate	Solid stainless steel or clad stainless steel

Other materials may be available on request.

The plate heat exchanger can be manufactured according to 3A certification.

The gaskets are produced in compliance with the regulations of FDA and China GB.

## Operational data

Frame type	Max. design pressure barg (psig)	Max. design temperature °C (°F)
SM, PED	10.0 (145)	160 (320)
SG, PED	16.0 (232)	160 (320)

Extended pressure and temperature rating may be available on request.

## Connections

Clamp, SMS, DIN (unions and flanges), BS/RJT, and IDF/ISO.

This document and its contents are subject to copyrights and other intellectual property rights owned by Alfa Laval Corporate AB. No part of this document may be copied, re-produced or transmitted in any form or by any means, or for any purpose, without Alfa Laval Corporate AB's prior express written permission. Information and services provided in this document are made as a benefit and service to the user, and no representations or warranties are made about the accuracy or suitability of this information and these services for any purpose. All rights are reserved.

### How to contact Alfa Laval

Up-to-date Alfa Laval contact details for all countries are always available on our website at [www.alfalaval.com](http://www.alfalaval.com)





## LubeTeam Hydraulic S.r.l.

*Administration and Headquarter:*

Via Tufara Scautieri, 6

83018 - San Martino Valle Caudina (AV)

*Office and Warehouse:*

S.S. 7 Appia, Km. 237,00

82011 - Airola BN

ITALY

Tel. +39 0823 950 994

Fax +39 0823 412 546

[www.lubeteam.it](http://www.lubeteam.it) [info@lubeteam.it](mailto:info@lubeteam.it)

Italian VAT / C.F. e P.IVA: 01251720627

Follow us



This document is the property of LubeTeam Hydraulic S.r.l. All data reported here are for the exclusive use of the Receiver. Reproduction is not authorized without writing permission, in all or in part of the content of this document, in accordance to Law 633 art. 171, dated April 22, 1941.

Il presente documento è di proprietà della LubeTeam Hydraulic S.r.l. I dati riportati sono per esclusivo del destinatario. La riproduzione, di tutto o in parte, non è autorizzata senza permesso scritto secondo l'art. 171 della L. 633 del 22 Aprile 1941.