



CBF  
Valvole elettriche  
2 vie



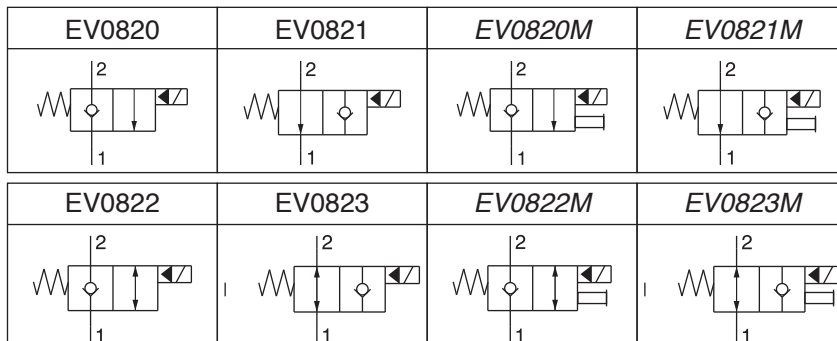
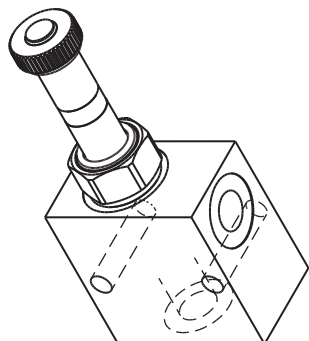
 HYDRAULIC  
COMPONENTS  
& FLUID CONTAMINATION  
CONTROL



All trademarks belong to their respective owners; third party trademarks, product names, trade names, corporate names and company names mentioned may be trademarks of their respective owners or registered trademarks of other companies and are used for instructional purposes and for the benefit of the owner, without any end of Copyright infringement in force.

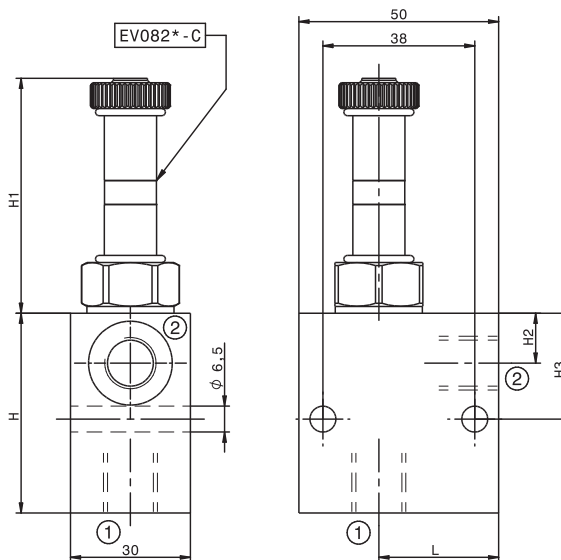
Tutti i marchi riportati appartengono ai legittimi proprietari; marchi di terzi, nomi di prodotti, nomi commerciali, nomi corporativi e società citati possono essere di proprietà dei rispettivi titolari o registrati da altre società e sono stati utilizzati a puro scopo esplicativo e a beneficio del possessore, senza alcun fine di violazione dei diritti di Copyright vigenti.

Valvola elettrica direzionale 2/2  
2/2 solenoid directional valve  
mod. EV-08-2X



Portata massima Max flow	40 l/min 10.5 gpm	
Pressione massima Max pressure bar/psi	EV-08-2*-**	250 bar 3600 psi
	EV-08-2*-**-Y (Su richiesta) (Upon request)	350 bar 5000 psi

Modello Type	② ①	H	H1	H2	H3	L
EV0820-14	G1/4	50	59	12.5	26.5	30
EV0820-38	G3/8	60	59	15	36.5	32
EV0820-12	G1/2	60	59	15	36.5	31
EV0821-14	G1/4	50	64	12.5	26.5	30
EV0821-38	G3/8	60	64	15	36.5	32
EV0821-12	G1/2	60	64	15	36.5	31
EV0822-14	G1/4	50	59	12.5	26.5	30
EV0822-38	G3/8	60	59	15	36.5	32
EV0822-12	G1/2	60	59	15	36.5	31
EV0823-14	G1/4	50	64	12.5	26.5	30
EV0823-38	G3/8	60	64	15	36.5	32
EV0823-12	G1/2	60	64	15	36.5	31
EV0820M-14	G1/4	50	81	12.5	26.5	30
EV0820M-38	G3/8	60	81	15	36.5	32
EV0820M-12	G1/2	60	81	15	36.5	31
EV0821M-14	G1/4	50	84	12.5	26.5	30
EV0821M-38	G3/8	60	84	15	36.5	32
EV0821M-12	G1/2	60	84	15	36.5	31
EV0822M-14	G1/4	50	81	12.5	26.5	30
EV0822M-38	G3/8	60	81	15	36.5	32
EV0822M-12	G1/2	60	81	15	36.5	31
EV0823M-14	G1/4	50	84	12.5	26.5	30
EV0823M-38	G3/8	60	84	15	36.5	32
EV0823M-12	G1/2	60	84	15	36.5	31

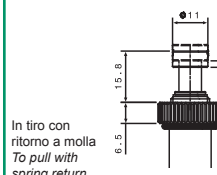


For flow diagram see  
PRESSURE DROP SOLENOID VALVE (1)

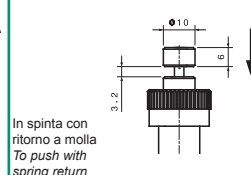
Perdite interne: max. 5 gocce/minuto a 250 bar  
Internal leakage: max. 5 drops/min at 250 bar

Emergenze disponibili su richiesta  
Emergency available upon request

**Normally closed**



**Normally open**



\*\*  
M standard emergency screw type  
MT pull (only for normally closed)  
MS push (only for normally open)

\*\*  
Version "Y" NA normally open is  
available only with MS emergency

Sigla di ordinazione / Ordering code

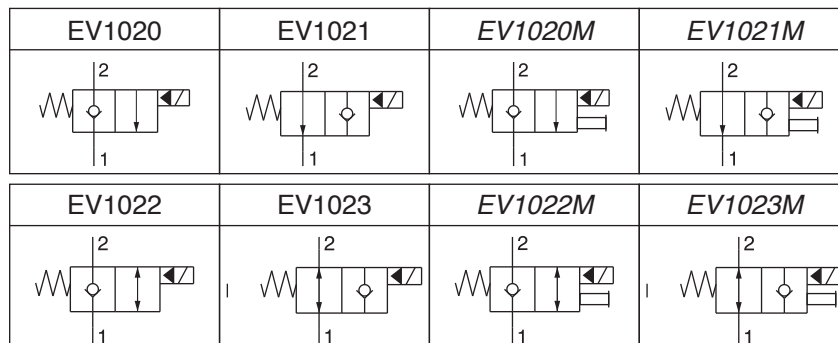
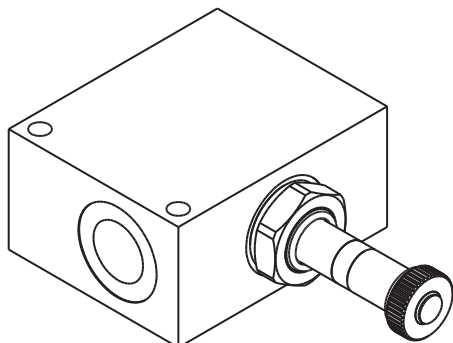


Modello/Type EV0820 EV0821 EV0822 EV0823 EV0820M** EV0821M** EV0822M** EV0823M**	Filettature / Port thread 14 G1/4 38 G3/8 12 G1/2	Materiale / Material - Alluminio/Aluminium  A Acciaio/Steel (su richiesta / upon request)	- Pressione massima 250 bar Max Pressure 250 bar  Y Pressione massima 350 bar Max pressure 350 bar
--	--	---	--

\* Bobina venduta separatamente mod. S1  
\* Coil sold separately mod. S1

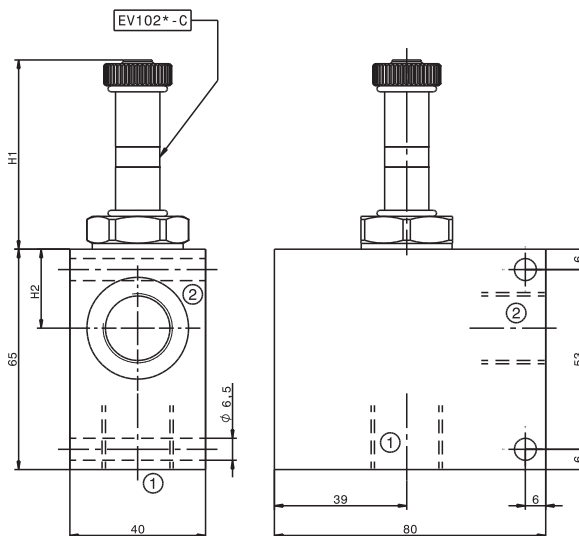
I dati non sono impegnativi, CBF si riserva di apportare modifiche senza preavviso.  
The specifications are not binding, CBF reserves the right to introduce modifications without notice.

Valvola elettrica direzionale 2/2  
2/2 solenoid directional valve  
mod. EV-10-2X



Portata massima Max flow	70 l/min 18.5 gpm	
Pressione massima Max pressure	EV-10-2*-**	250 bar 3600 psi
	EV-10-2*-**Y (Su richiesta) (Upon request)	350 bar 5000 psi

Modello Type	② ①	H1	H2
EV1020-12 EV1020-34	G1/2 G3/4	56	23.5 25
EV1021-12 EV1021-34	G1/2 G3/4	61	23.5 25
EV1022-12 EV1022-34	G1/2 G3/4	56	23.5 25
EV1023-12 EV1023-34	G1/2 G3/4	61	23.5 25
EV1020M-12 EV1020M-34	G1/2 G3/4	78	23.5 25
EV1021M-12 EV1021M-34	G1/2 G3/4	81	23.5 25
EV1022M-12 EV1022M-34	G1/2 G3/4	78	23.5 25
EV1023M-12 EV1023M-34	G1/2 G3/4	81	23.5 25

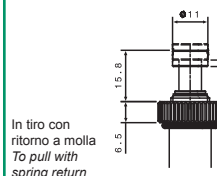


For flow diagram see  
PRESSURE DROP SOLENOID VALVE (3)

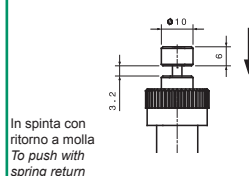
Perdite interne: max. 5 gocce/minuto a 250 bar  
Internal leakage: max. 5 drops/min at 250 bar

Emergenze disponibili su richiesta  
Emergency available upon request

**Normally closed**



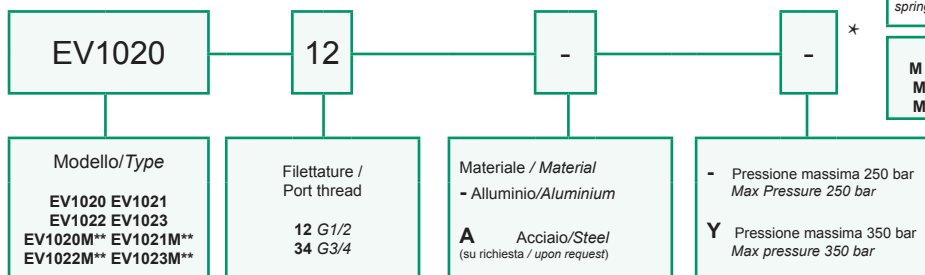
**Normally open**



\*\*  
M standard emergency screw type  
MT pull (only for normally closed)  
MS push (only for normally open)

\*\*  
Version "Y" NA normally open is  
available only with MS emergency

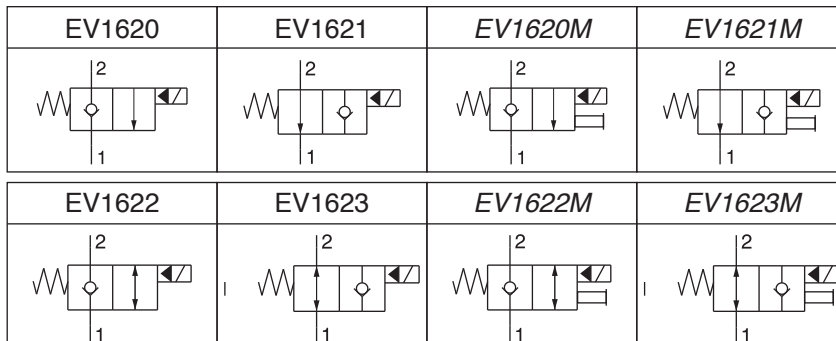
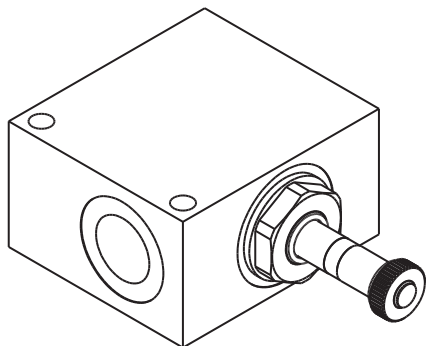
Sigla di ordinazione / Ordering code



\* Bobina venduta separatamente mod. S1  
\* Coil sold separately mod. S1

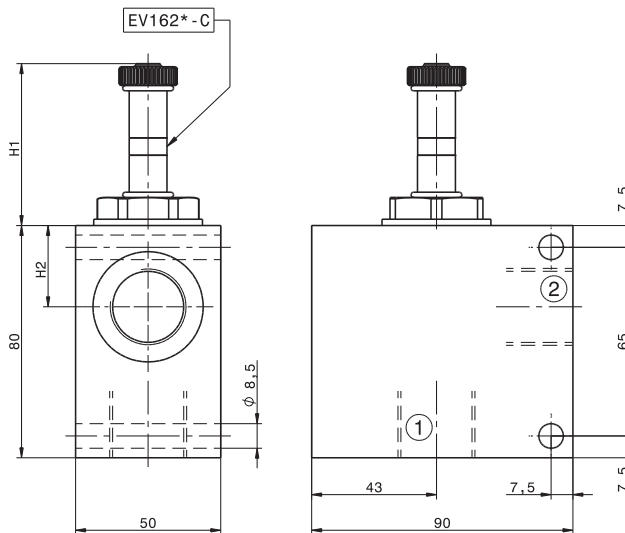
I dati non sono impegnativi, CBF si riserva di apportare modifiche senza preavviso.  
The specifications are not binding, CBF reserves the right to introduce modifications without notice.

Valvola elettrica direzionale 2/2  
2/2 solenoid directional valve  
mod. EV-16-2X



Portata massima Max flow	150 l/min 40 gpm	
Pressione massima Max pressure	EV-16-2*-**	250 bar 3600 psi
	EV-16-2*-**Y (Su richiesta) (Upon request)	350 bar 5000 psi

Modello Type	② ①	H1	H2
<b>EV1620-34</b> <b>EV1620-10</b>	G3/4 G1	56	28 31
<b>EV1621-34</b> <b>EV1621-10</b>	G3/4 G1	61	28 31
<b>EV1622-34</b> <b>EV1622-10</b>	G3/4 G1	56	28 31
<b>EV1623-34</b> <b>EV1623-10</b>	G3/4 G1	61	28 31
<b>EV1620M-34</b> <b>EV1620M-10</b>	G3/4 G1	78	28 31
<b>EV1621M-34</b> <b>EV1621M-10</b>	G3/4 G1	81	28 31
<b>EV1622M-34</b> <b>EV1622M-10</b>	G3/4 G1	78	28 31
<b>EV1623M-34</b> <b>EV1623M-10</b>	G3/4 G1	81	28 31

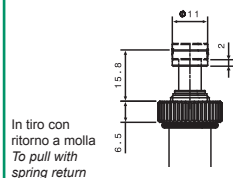


For flow diagram see  
PRESSURE DROP SOLENOID VALVE (5)

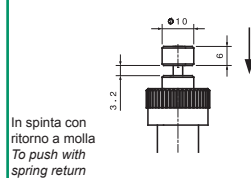
Perdite interne: max. 5 gocce/minuto a 250 bar  
Internal leakage: max. 5 drops/min at 250 bar

Emergenze disponibili su richiesta  
Emergency available upon request

**Normally closed**

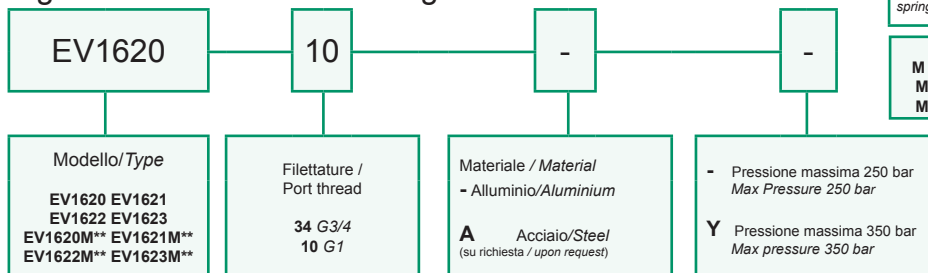


**Normally open**



\*\*  
M standard emergency screw type  
MT pull (only for normally closed)  
MS push (only for normally open)

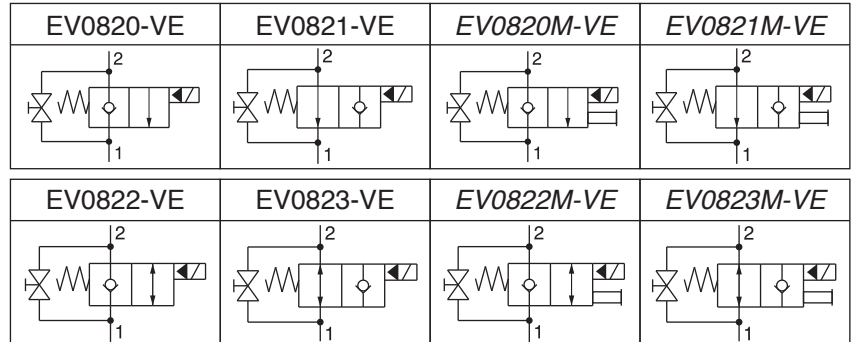
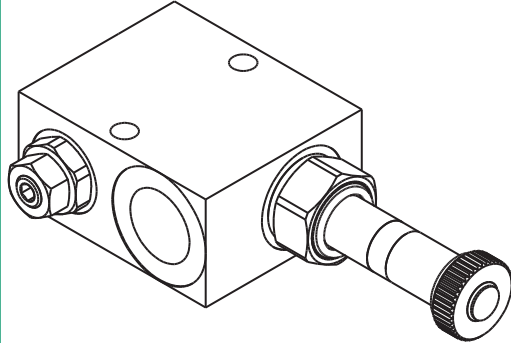
Sigla di ordinazione / Ordering code



\* Bobina venduta separatamente mod. S1  
\* Coil sold separately mod. S1

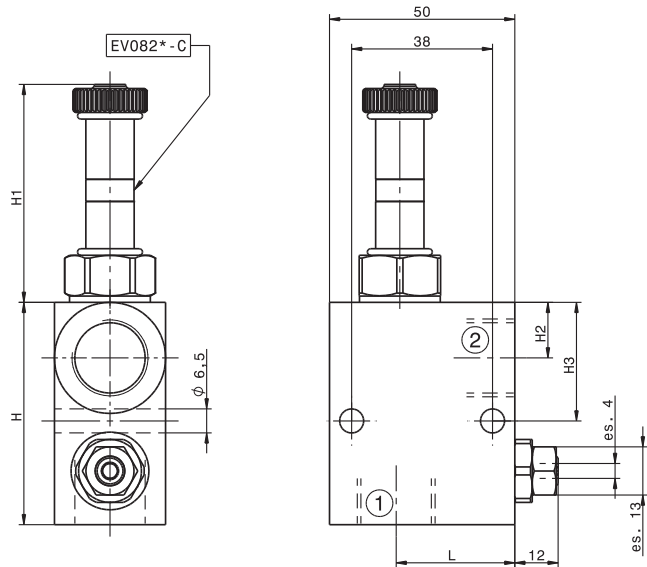
I dati non sono impegnativi, CBF si riserva di apportare modifiche senza preavviso.  
The specifications are not binding, CBF reserves the right to introduce modifications without notice.

Valvola elettrica direzionale 2/2 con vite di emergenza  
2/2 solenoid directional valve with emergency screw  
mod. EV-08-2X-VE



Portata massima Max flow	40 l/min 10.5 gpm	
Pressione massima Max pressure	EV-08-2*-**-VE	250 bar 3600 psi
	EV-08-2X**-VE-Y (Su richiesta) (Upon request)	350 bar 5000 psi

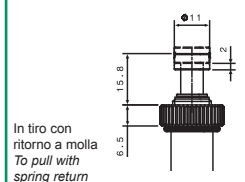
Modello Type	② ①	H	H1	H2	H3	L
EV0820-14-VE	G1/4	50	59	12.5	26	31
EV0820-38-VE	G3/8	60	59	15	32	32
EV0820-12-VE	G1/2	60	59	15	32	32
EV0821-14-VE	G1/4	50	64	12.5	26	31
EV0821-38-VE	G3/8	60	64	15	32	32
EV0821-12-VE	G1/2	60	64	15	32	32
EV0822-14-VE	G1/4	50	59	12.5	26	31
EV0822-38-VE	G3/8	60	59	15	32	32
EV0822-12-VE	G1/2	60	59	15	32	32
EV0823-14-VE	G1/4	50	64	12.5	26	31
EV0823-38-VE	G3/8	60	64	15	32	32
EV0823-12-VE	G1/2	60	64	15	32	32
EV0820M-14-VE	G1/4	50	81	12.5	26	31
EV0820M-38-VE	G3/8	60	81	15	32	32
EV0820M-12-VE	G1/2	60	81	15	32	32
EV0821M-14-VE	G1/4	50	84	12.5	26	31
EV0821M-38-VE	G3/8	60	84	15	32	32
EV0821M-12-VE	G1/2	60	84	15	32	32
EV0822M-14-VE	G1/4	50	81	12.5	26	31
EV0822M-38-VE	G3/8	60	81	15	32	32
EV0822M-12-VE	G1/2	60	81	15	32	32
EV0823M-14-VE	G1/4	50	84	12.5	26	31
EV0823M-38-VE	G3/8	60	84	15	32	32
EV0823M-12-VE	G1/2	60	84	15	32	32



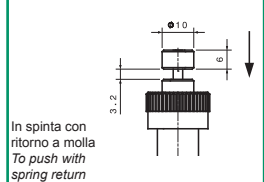
Perdite interne: max. 5 gocce/minuto a 250 bar  
Internal leakage: max. 5 drops/min at 250 bar

Emergenze disponibili su richiesta  
Emergency available upon request

**Normally closed**



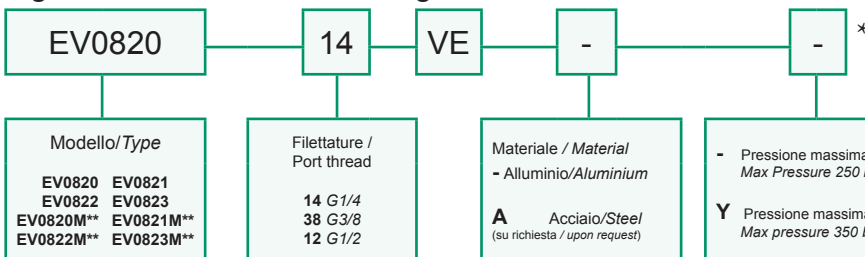
**Normally open**



\*\*  
Version "Y" NA normally open is available only with MS emergency

\*\*  
M standard emergency screw type  
MT pull (only for normally closed)  
MS push (only for normally open)

Sigla di ordinazione / Ordering code

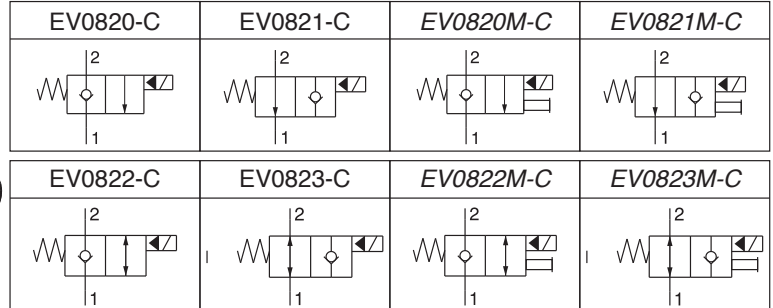
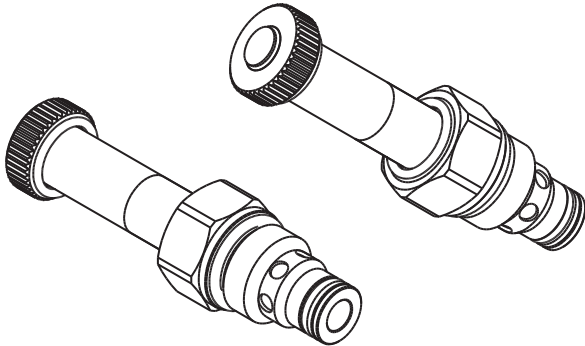


For flow diagram see  
PRESSURE DROP SOLENOID VALVE (1)

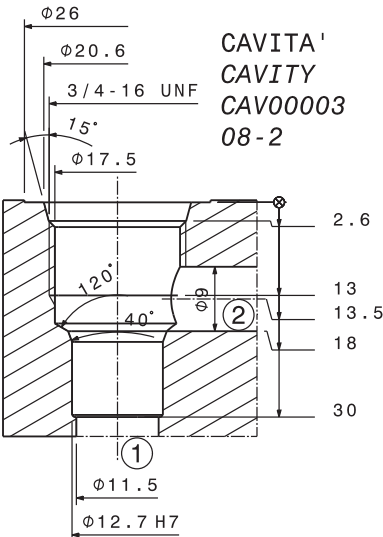
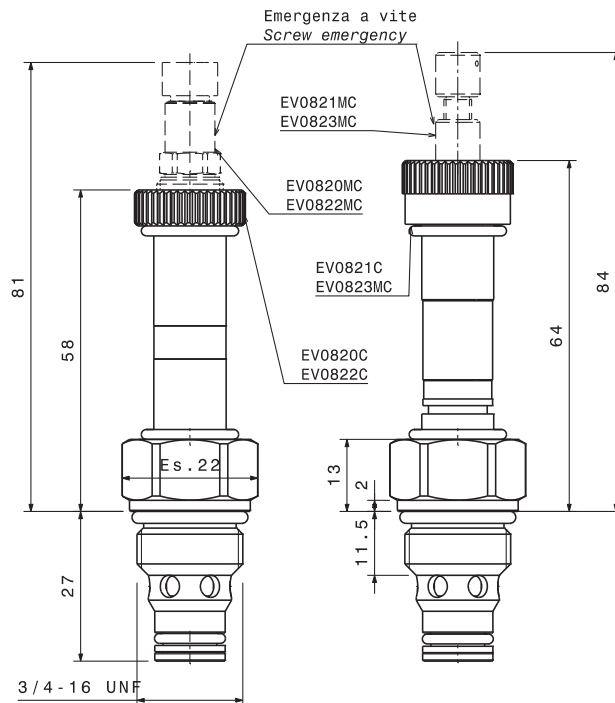
\* Bobina venduta separatamente mod. S1  
\* Coil sold separately mod. S1

I dati non sono impegnativi, CBF si riserva di apportare modifiche senza preavviso.  
The specifications are not binding, CBF reserves the right to introduce modifications without notice.

Valvola elettrica direzionale 2/2 a cartuccia  
 2/2 solenoid directional valve, cartridge type  
 mod. EV-08-2X-C



Portata massima Max flow	40 l/min 10.5 gpm	
Pressione massima Max pressure	EV-08-2X-C	250 bar 3600 psi
	EV-08-2X-C-Y (Su richiesta) (Upon request)	350 bar 5000 psi
Coppia di serraggio Installation torque	27 ÷ 30 Nm 20 ÷ 23 lbf ft	
Dati e tarature ottenuti usando olio a 30 cSt a 50°C. Viscosità raccomandate 10 ÷ 420 cSt. Temperature di lavoro -20÷+90 °C. Filtrazione assoluta 25 µ. Performances and calibrations are carried out by using hydraulic oil with 30 cSt viscosity at 50°C (122 F). Recommended viscosity 10 ÷ 420 cSt, working temperature -20÷+90 °C (-4 F÷194 F). Absolute filtration 25 µ.		

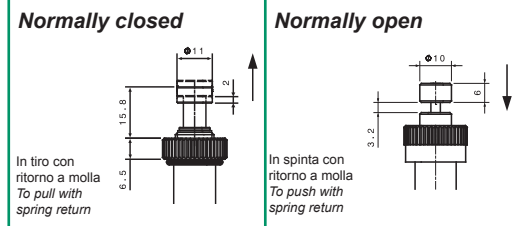


\*\* Version "Y" NA normally open is available only with MS emergency

For flow diagram see PRESSURE DROP SOLENOID VALVE (1)

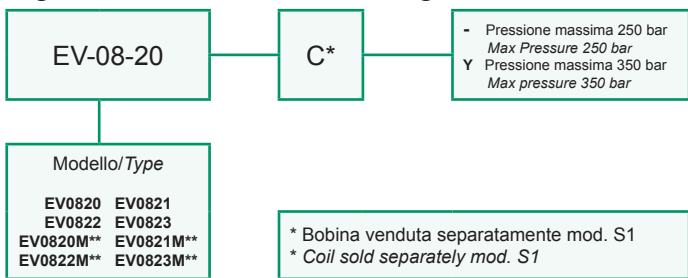
Perdite interne: max. 5 gocce/minuto a 250 bar  
 Internal leakage: max. 5 drops/min at 250 bar

Emergenze disponibili su richiesta  
 Emergency available upon request



\*\* M standard emergency screw type  
 MT pull (only for normally closed)  
 MS push (only for normally open)

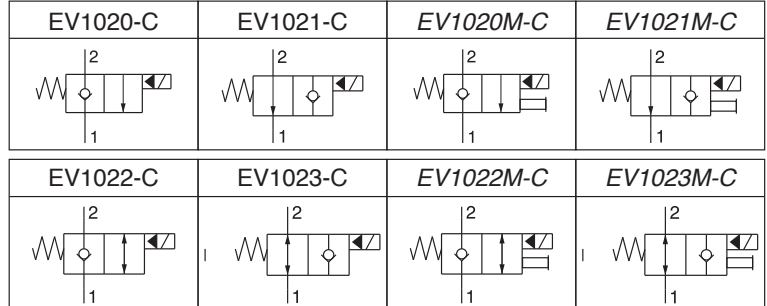
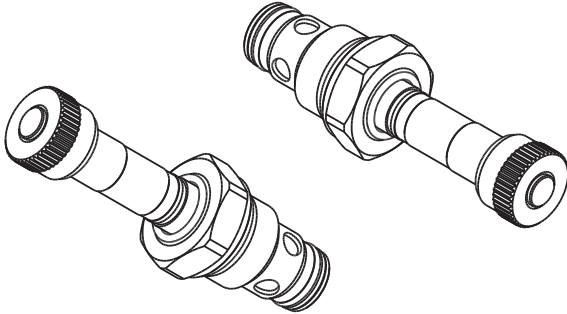
Sigla di ordinazione / Ordering code



\* Bobina venduta separatamente mod. S1  
 \* Coil sold separately mod. S1

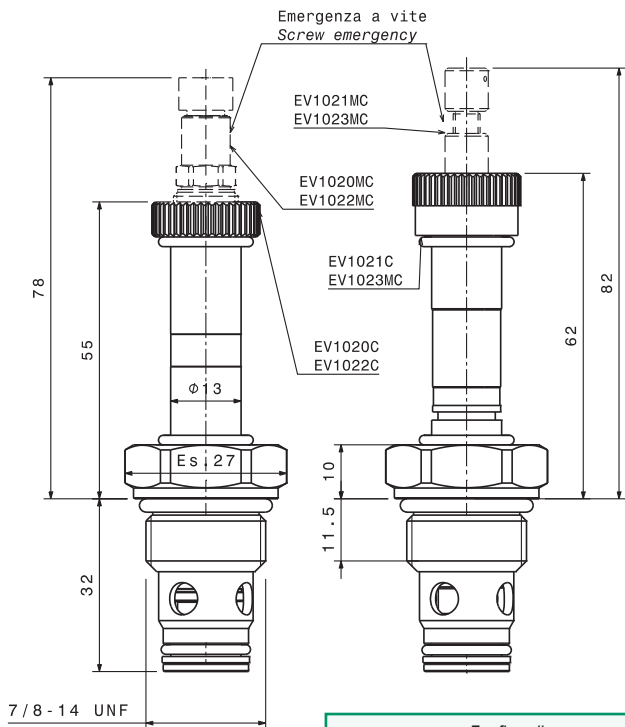
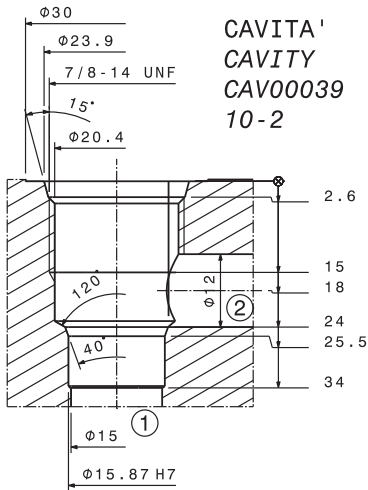
I dati non sono impegnativi, CBF si riserva di apportare modifiche senza preavviso.  
 The specifications are not binding, CBF reserves the right to introduce modifications without notice.

Valvola elettrica direzionale 2/2 a cartuccia  
 2/2 solenoid directional valve, cartridge type  
 mod. EV-10-2X-C



Portata massima Max flow	70 l/min 18.5 gpm	
Pressione massima Max pressure	EV-10-2X-C	250 bar 3600 psi
	EV-10-2X-C-Y (Su richiesta) (Upon request)	350 bar 5000 psi
Coppia di serraggio Installation torque	45 ÷ 50 Nm 33 ÷ 37 lbf ft	

Dati e tarature ottenuti usando olio a 30 cSt a 50°C. Viscosità raccomandate 10 ÷ 420 cSt. Temperature di lavoro -20÷+90 °C. Filtrazione assoluta 25 µ.  
 Performances and calibrations are carried out by using hydraulic oil with 30 cSt viscosity at 50°C (122 F). Recommended viscosity 10 ÷ 420 cSt, working temperature -20÷+90 °C (-4 F÷194 F). Absolute filtration 25 µ.



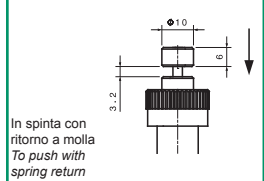
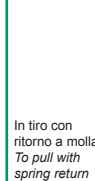
For flow diagram see PRESSURE DROP SOLENOID VALVE (3)

Perdite interne: max. 5 gocce/minuto a 250 bar  
 Internal leakage: max. 5 drops/min at 250 bar

Emergenze disponibili su richiesta  
 Emergency available upon request

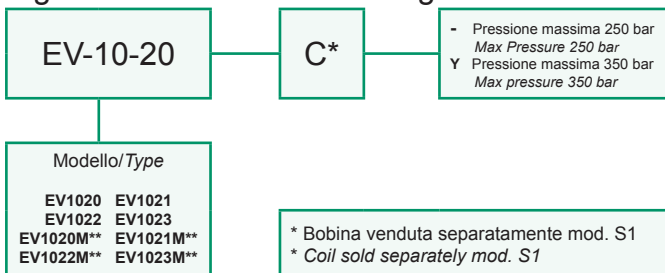
Normally closed

Normally open



\*\*  
 M standard emergency screw type  
 MT pull (only for normally closed)  
 MS push (only for normally open)

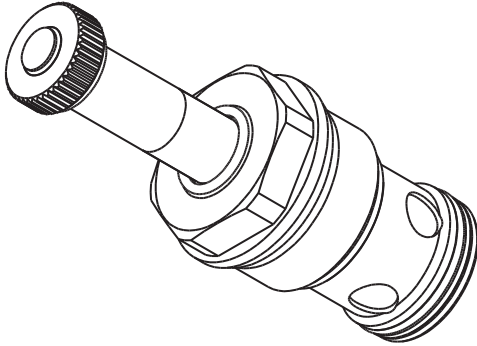
Sigla di ordinazione / Ordering code



I dati non sono impegnativi, CBF si riserva di apportare modifiche senza preavviso.  
 The specifications are not binding, CBF reserves the right to introduce modifications without notice.

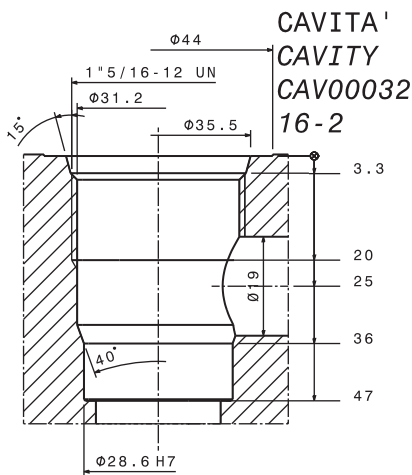
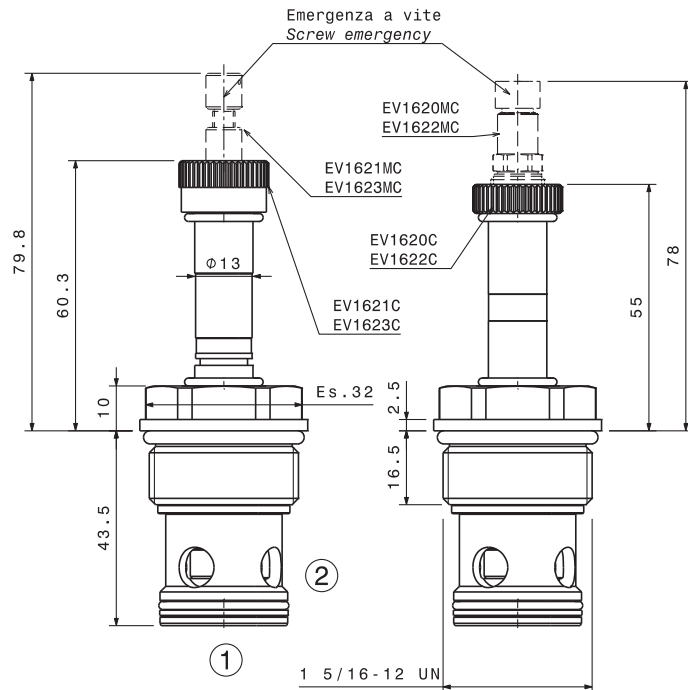


Valvola elettrica direzionale 2/2 a cartuccia  
2/2 solenoid directional valve, cartridge type  
mod. EV-16-2X-C



EV1620-C 	EV1621-C 	EV1620M-C 	EV1621M-C 
EV1622-C 	EV1623-C 	EV1622M-C 	EV1623M-C 

Portata massima Max flow	150 l/min 40 gpm	
Pressione massima Max pressure	EV-16-2X-C	250 bar 3600 psi
	EV-16-2X-C-Y (Su richiesta) (Upon request)	350 bar 5000 psi
Coppia di serraggio Installation torque	180 ÷ 210 Nm 130 ÷ 150 lbf ft	
Dati e tarature ottenuti usando olio a 30 cSt a 50°C. Viscosità raccomandate 10 ÷ 420 cSt. Temperature di lavoro -20÷+90 °C. Filtrazione assoluta 25 µ. Performances and calibrations are carried out by using hydraulic oil with 30 cSt viscosity at 50°C (122 F). Recommended viscosity 10 ÷ 420 cSt, working temperature -20÷+90 °C (-4 F=194 F). Absolute filtration 25 µ.		



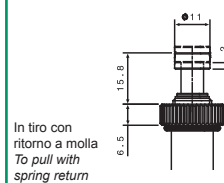
\*\*  
Version "Y" NA normally open is available only with MS emergency

For flow diagram see  
PRESSURE DROP SOLENOID VALVE (5)

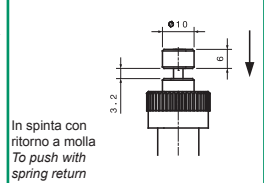
Perdite interne: max. 5 gocce/minuto a 250 bar  
Internal leakage: max. 5 drops/min at 250 bar

Emergenze disponibili su richiesta  
Emergency available upon request

**Normally closed**

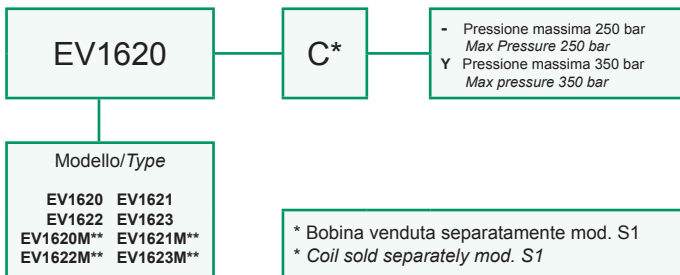


**Normally open**



\*\*  
M standard emergency screw type  
MT pull (only for normally closed)  
MS push (only for normally open)

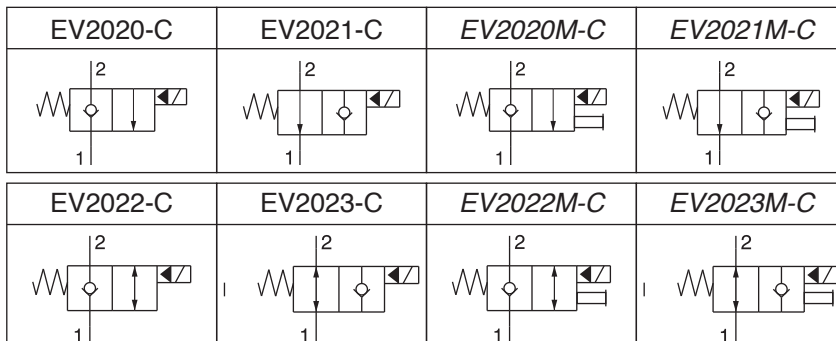
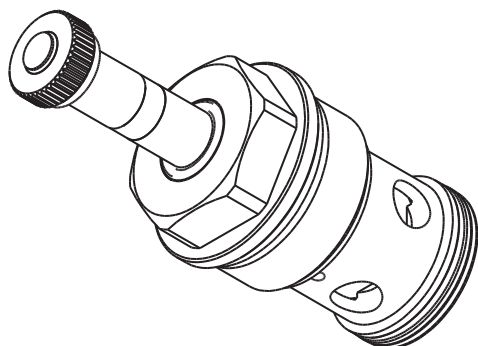
Sigla di ordinazione / Ordering code



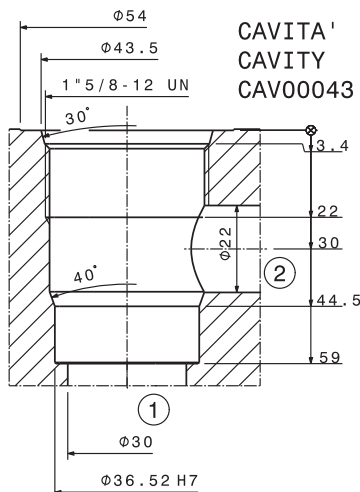
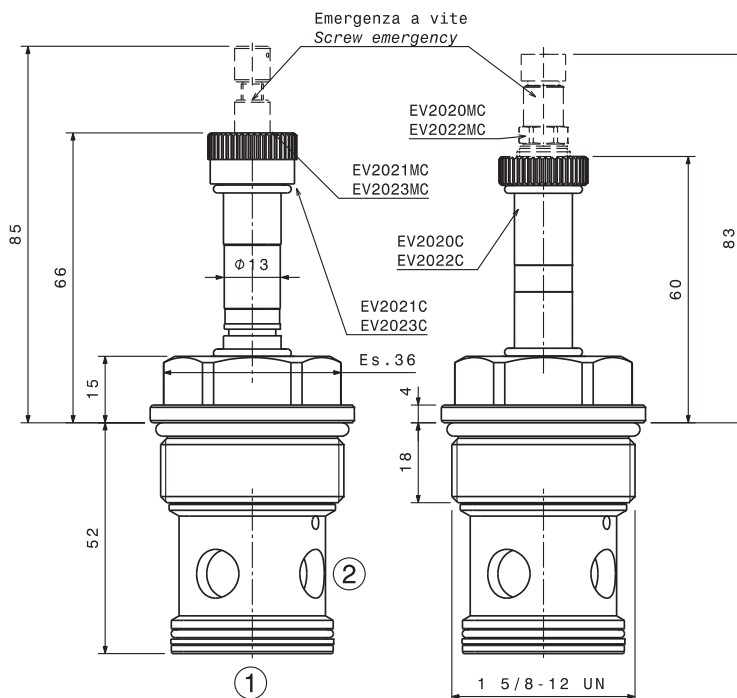
I dati non sono impegnativi, CBF si riserva di apportare modifiche senza preavviso.  
The specifications are not binding, CBF reserves the right to introduce modifications without notice.

Valvola elettrica direzionale 2/2 a cartuccia  
2/2 solenoid directional valve, cartridge type

mod. EV-20-2X-C



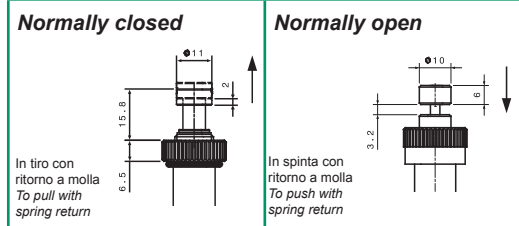
Portata massima Max flow	200 l/min 53 gpm	
Pressione massima Max pressure	EV-20-2X-C	250 bar 3600 psi
	EV-20-2X-C-Y (Su richiesta) (Upon request)	350 bar 5000 psi
Coppia di serraggio Installation torque	230 ÷ 250 Nm 170 ÷ 190 lbf ft	
Dati e tarature ottenuti usando olio a 30 cSt a 50°C. Viscosità raccomandate 10 ÷ 420 cSt. Temperature di lavoro -20÷+90 °C. Filtrazione assoluta 25 µ. Performances and calibrations are carried out by using hydraulic oil with 30 cSt viscosity at 50°C (122 F). Recommended viscosity 10 ÷ 420 cSt, working temperature -20÷+90 °C (-4 F÷194 F). Absolute filtration 25 µ.		



For flow diagram see  
PRESSURE DROP SOLENOID VALVE (6)

Perdite interne: max. 5 gocce/minuto a 250 bar  
Internal leakage: max. 5 drops/min at 250 bar

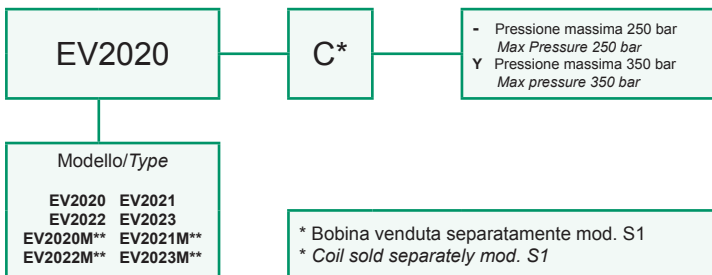
Emergenze disponibili su richiesta  
Emergency available upon request



\*\*  
M standard emergency screw type  
MT pull (only for normally closed)  
MS push (only for normally open)

\*\*  
Version "Y" NA normally open is available only with MS emergency

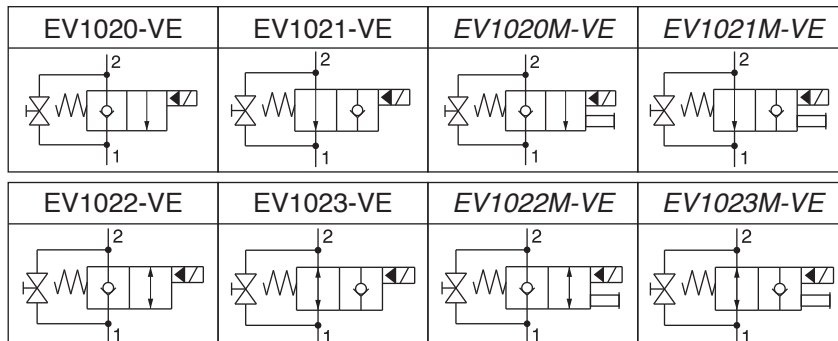
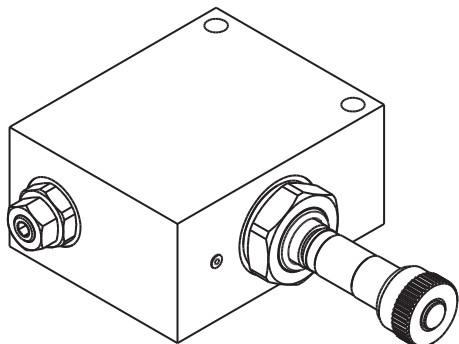
Sigla di ordinazione / Ordering code



I dati non sono impegnativi, CBF si riserva di apportare modifiche senza preavviso.  
The specifications are not binding, CBF reserves the right to introduce modifications without notice.

Valvola elettrica direzionale 2/2 con vite di emergenza  
2/2 solenoid directional valve with emergency screw

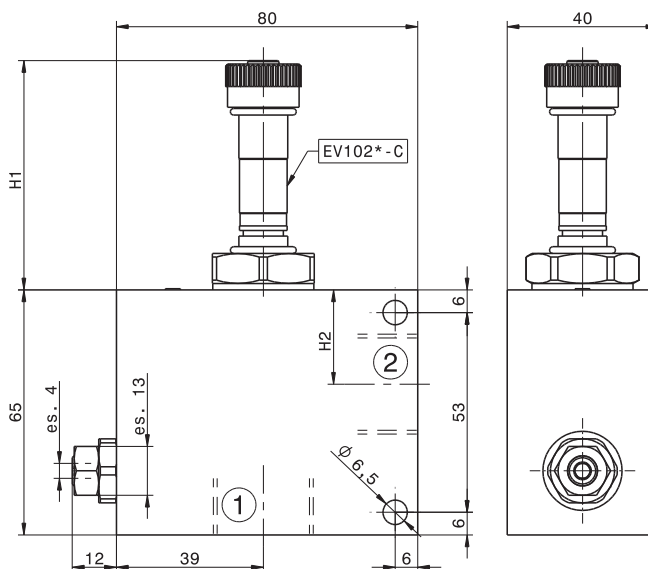
mod. EV-10-2X-VE



Portata massima Max flow	70 l/min 18.5 gpm	
Pressione massima Max pressure	EV-10-2X-**-VE	250 bar 3600 psi
	EV-10-2X-**-VE-Y (Su richiesta) (Upon request)	350 bar 5000 psi

Dati e tarature ottenuti usando olio a 30 cSt a 50°C.  
Viscosità raccomandate 10 + 420 cSt. Temperature di lavoro -20++90 °C. Filtrazione assoluta 25 µ.  
Performances and calibrations are carried out by using hydraulic oil with 30 cSt viscosity at 50°C (122 F). Recommended viscosity 10 + 420 cSt, working temperature -20++90 °C (-4 F+194 F). Absolute filtration 25 µ.

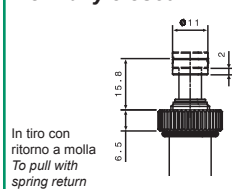
Modello Type	②①	H1	H2
EV1020-12-VE	G1/2	56	23
EV1020-34-VE	G3/4	56	25
EV1021-12-VE	G1/2	61	23
EV1021-34-VE	G3/4	61	25
EV1022-12-VE	G1/2	56	23
EV1022-34-VE	G3/4	56	25
EV1023-12-VE	G1/2	61	23
EV1023-34-VE	G3/4	61	25
EV1020M-12-VE	G1/2	78	23
EV1020M-34-VE	G3/4	78	25
EV1021M-12-VE	G1/2	81	23
EV1021M-34-VE	G3/4	81	25
EV1022M-12-VE	G1/2	78	23
EV1022M-34-VE	G3/4	78	25
EV1023M-12-VE	G1/2	81	23
EV1023M-34-VE	G3/4	81	25



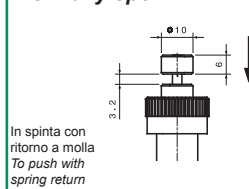
Perdite interne: max. 5 gocce/minuto a 250 bar  
Internal leakage: max. 5 drops/min at 250 bar

Emergenze disponibili su richiesta  
Emergency available upon request

**Normally closed**



**Normally open**



\*\*  
Version "Y" NA normally open is available only with MS emergency

Sigla di ordinazione / Ordering code

EV1020	12	VE	-	-	*
--------	----	----	---	---	---

Modello/Type

EV1020 EV1021  
EV1022 EV1023  
EV1020M\*\* EV1021M\*\*  
EV1022M\*\* EV1023M\*\*

Filettature / Port thread

12 G1/2  
34 G3/4

Materiale / Material

- Alluminio/Aluminium

**A** Acciaio/Steel  
(su richiesta / upon request)

- Pressione massima 250 bar  
Max Pressure 250 bar

**Y** Pressione massima 350 bar  
Max pressure 350 bar

\*\*  
M standard emergency screw type  
MT pull (only for normally closed)  
MS push (only for normally open)

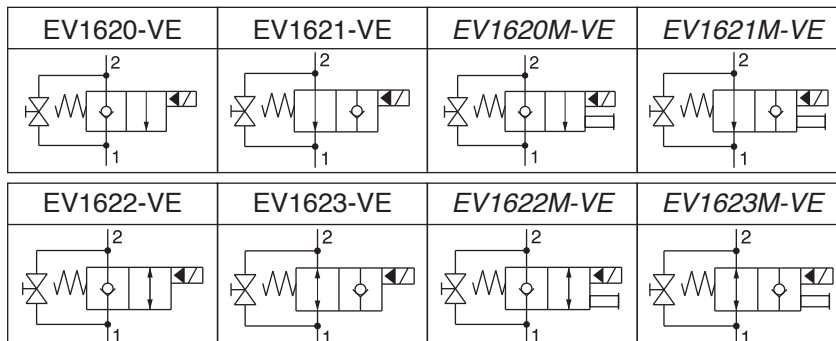
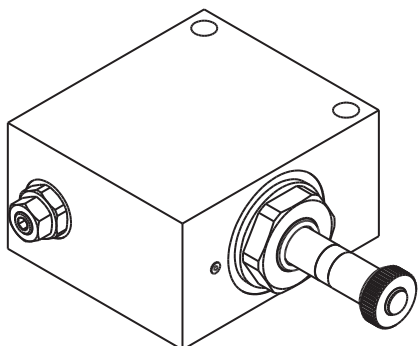
For flow diagram see  
PRESSURE DROP SOLENOID VALVE (3)

\* Bobina venduta separatamente mod. S1  
\* Coil sold separately mod. S1

I dati non sono impegnativi, CBF si riserva di apportare modifiche senza preavviso.  
The specifications are not binding, CBF reserves the right to introduce modifications without notice.

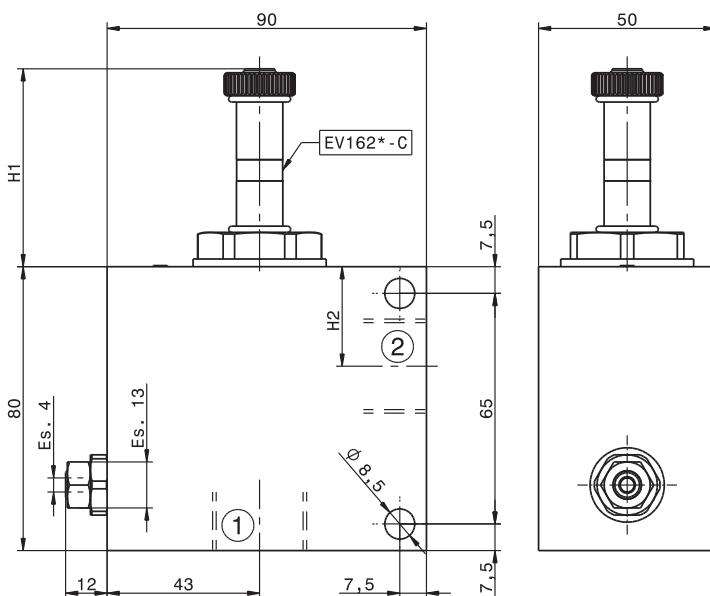
Valvola elettrica direzionale 2/2 con vite di emergenza  
 2/2 solenoid directional valve with emergency screw

mod. EV-16-2X-VE



Portata massima Max flow	150 l/min 40 gpm	
Pressione massima Max pressure	EV-16-2X-**-VE-Y	250 bar 3600 psi
	EV-16-2X-**-VE-Y (Su richiesta) (Upon request)	300 bar 4300 psi

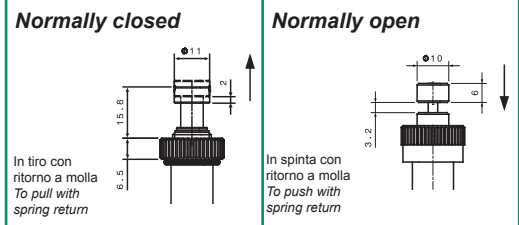
Dati e tarature ottenuti usando olio a 30 cSt a 50°C.  
 Viscosità raccomandate 10 ÷ 420 cSt. Temperature di lavoro -20÷+90 °C. Filtrazione assoluta 25 µ.  
 Performances and calibrations are carried out by using hydraulic oil with 30 cSt viscosity at 50°C (122 F). Recommended viscosity 10 ÷ 420 cSt, working temperature -20÷+90 °C (-4 F÷194 F). Absolute filtration 25 µ.



Modello Type	② ①	H1	H2
EV1620-34-VE	G3/4	56	28
EV1620-10-VE	G1	56	31
EV1621-34-VE	G3/4	61	28
EV1621-10-VE	G1	61	31
EV1622-34-VE	G3/4	56	28
EV1622-10-VE	G1	56	31
EV1623-34-VE	G3/4	61	28
EV1623-10-VE	G1	61	31
EV1620M-34-VE	G3/4	78	28
EV1620M-10-VE	G1	78	31
EV1621M-34-VE	G3/4	81	28
EV1621M-10-VE	G1	81	31
EV1622M-34-VE	G3/4	78	28
EV1622M-10-VE	G1	78	31
EV1623M-34-VE	G3/4	81	28
EV1623M-10-VE	G1	81	31

Perdite interne: max. 5 gocce/minuto a 250 bar  
 Internal leakage: max. 5 drops/min at 250 bar

Emergenze disponibili su richiesta  
 Emergency available upon request



Sigla di ordinazione / Ordering code

EV1620	34	VE	-	-
Modello/Type EV1620 EV1621 EV1622 EV1623 EV1620M** EV1621M** EV1622M** EV1623M**	Filettature / Port thread 34 G3/4 10 G1	Materiale / Material - Alluminio/Aluminium A Acciaio/Steel (su richiesta / upon request)	- Pressione massima 250 bar Max Pressure 250 bar Y Pressione massima 300 bar Max pressure 300 bar	* Bobina venduta separatamente mod. S1 * Coil sold separately mod. S1

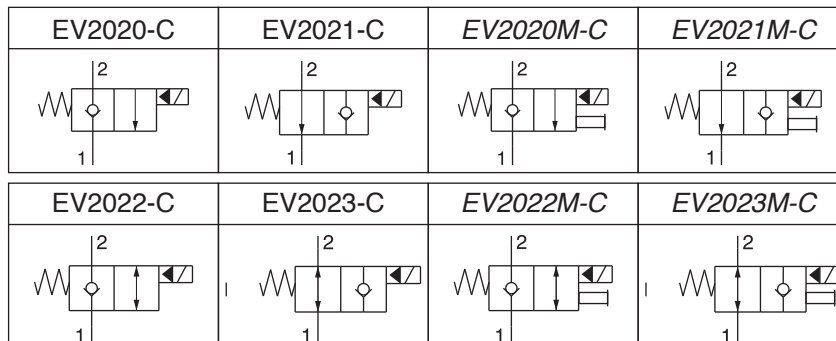
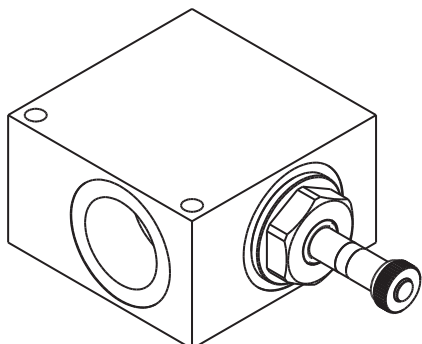
\*\* Version "Y" NA normally open is available only with MS emergency

M standard emergency screw type  
 MT pull (only for normally closed)  
 MS push (only for normally open)

For flow diagram see PRESSURE DROP SOLENOID VALVE (5)

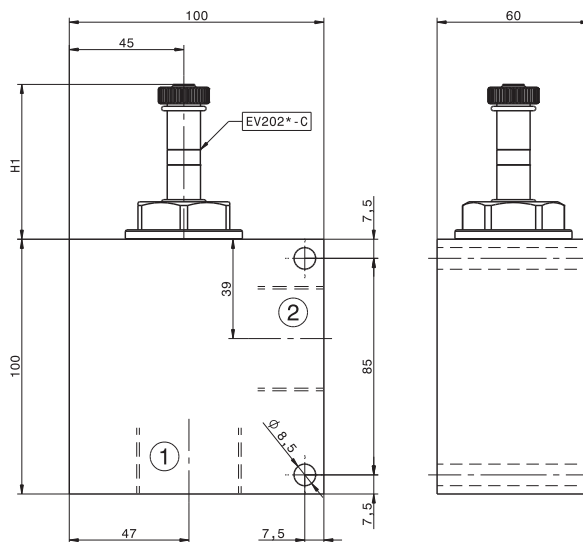
I dati non sono impegnativi, CBF si riserva di apportare modifiche senza preavviso.  
 The specifications are not binding, CBF reserves the right to introduce modifications without notice.

Valvola elettrica direzionale 2/2  
2/2 solenoid directional valve  
mod. EV-20-2X



Portata massima Max flow	200 l/min 53 gpm	
Pressione massima Max pressure	EV-20-2*-**	250 bar 3600 psi
	EV-20-2*-**Y (Su richiesta) (Upon request)	350 bar 5000 psi

Modello Type	② ①	H1
EV2020-10 EV2020-114 EV2020-112	G1" G1"-1/4 G1"-1/2	61
EV2021-10 EV2021-114 EV2021-112	G1" G1"-1/4 G1"-1/2	66
EV2022-10 EV2022-114 EV2022-112	G1" G1"-1/4 G1"-1/2	61
EV2023-10 EV2023-114 EV2023-112	G1" G1"-1/4 G1"-1/2	66
EV2020M-10 EV2020M-114 EV2020M-112	G1" G1"-1/4 G1"-1/2	83
EV2021M-10 EV2021M-114 EV2021M-112	G1" G1"-1/4 G1"-1/2	85
EV2022M-10 EV2022M-114 EV2022M-112	G1" G1"-1/4 G1"-1/2	83
EV2023M-10 EV2023M-114 EV2023M-112	G1" G1"-1/4 G1"-1/2	85

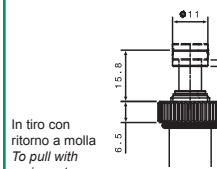


For flow diagram see  
PRESSURE DROP SOLENOID VALVE (6)

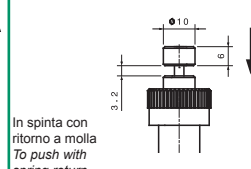
Perdite interne: max. 5 gocce/minuto a 250 bar  
Internal leakage: max. 5 drops/min at 250 bar

Emergenze disponibili su richiesta  
Emergency available upon request

**Normally closed**



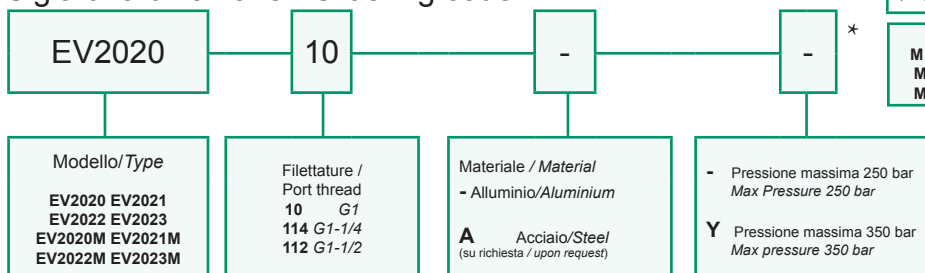
**Normally open**



\*\*  
M standard emergency screw type  
MT pull (only for normally closed)  
MS push (only for normally open)

\*\*  
Version "Y" NA normally open is available only with MS emergency

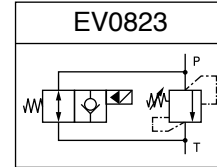
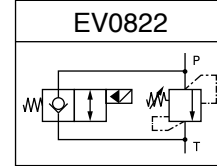
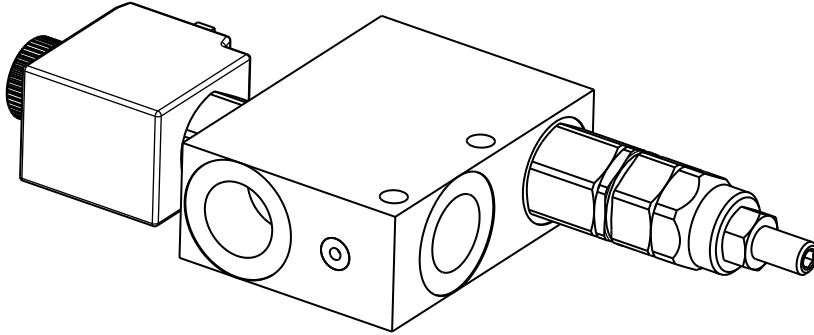
Sigla di ordinazione / Ordering code



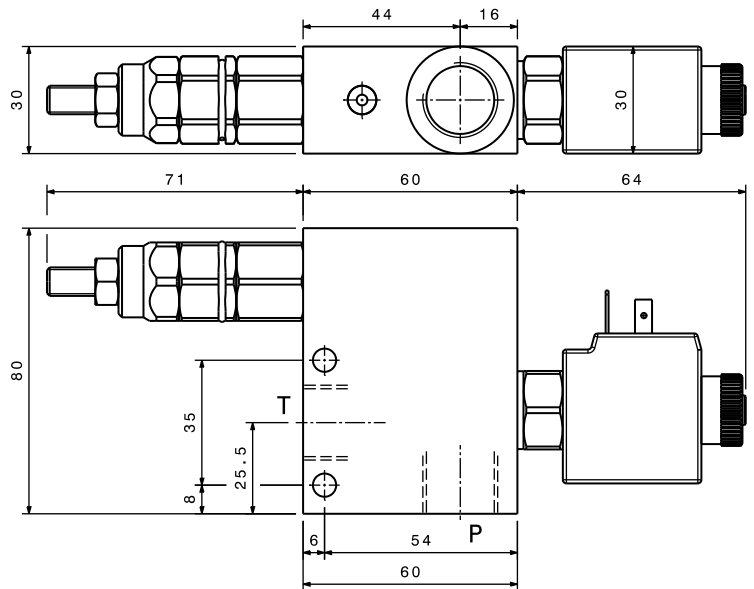
\* Bobina venduta separatamente mod. S1  
\* Coil sold separately mod. S1

I dati non sono impegnativi, CBF si riserva di apportare modifiche senza preavviso.  
The specifications are not binding, CBF reserves the right to introduce modifications without notice.

Valvola limitatrice di pressione con bypass elettrico  
Single relief valve with electric bypass  
mod. EV082X-VLP40



Modello Type	P,T	Pressione max Max pressure	Portata max Max. flow
<b>EV082X-VLP40-38</b>	3/8" GAS	300 bar 4300 psi	40 l/min 10.5 gpm
<b>EV082X-VLP40-12</b>	1/2" GAS	300 bar 4300 psi	40 l/min 10.5 gpm



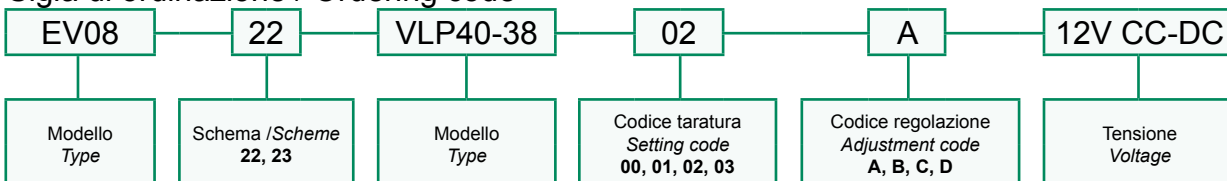
Taratura / Setting		
Codice Code	Taratura standard Standard setting (Q=5 l/min)	Campo di taratura Adj. Pressure range
<b>00</b>	<b>40 bar 580 psi</b>	<b>5÷40 bar 72.5÷580 psi</b>
<b>01</b>	<b>80 bar 1160 psi</b>	<b>20÷100 bar 290÷1450 psi</b>
<b>02</b>	<b>180 bar 2600 psi</b>	<b>40÷250 bar 580÷3600 psi</b>
<b>03</b>	<b>250 bar 3600 psi</b>	<b>60÷350 bar 870÷5000 psi</b>

Regolazioni Adjustments			
<b>A</b>  Vite esterna esagono incassato Leakproof hex socket screw	<b>B</b>  Volantino e dado Handknob and locknut	<b>C</b>  Piombaturo Sealing cap	<b>D</b>  Cappellino Cap

Dati e tarature ottenuti usando olio con viscosità 30 cSt a 50°C Performances and calibrations are carried out by using hydraulic oil with 30 cSt viscosity at 50°C	
Viscosità consigliate Recommended viscosity	10 ÷ 420 cSt
Temperature di lavoro Working temperature	-20 ÷ +90 °C
Filtrazione assoluta Absolute filtration	25 µ

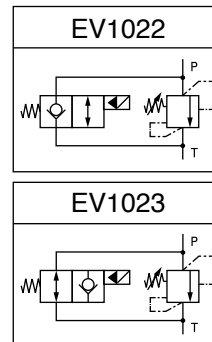
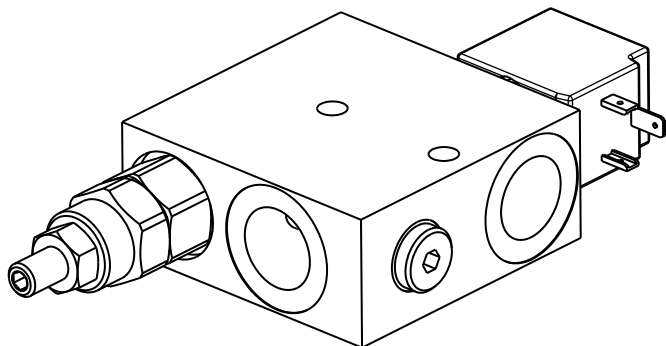
<b>Tensione Voltage</b>	12 V CC-DC 24 V CC-DC 110 V CC-DC 220 V CC-DC 24V RAC* 110V RAC* 220V RAC*
*da usare per alimentazione in corrente alternata raddrizzata *use only with rectified alternate current	
<b>Connettore Connector</b>	DIN43650

Sigla di ordinazione / Ordering code



I dati non sono impegnativi, **CBF** si riserva di apportare modifiche senza preavviso.  
The specifications are not binding, **CBF** reserves the right to introduce modifications without notice.

Valvola limitatrice di pressione con bypass elettrico  
Single relief valve with electric bypass  
mod. EV102X-VLP80

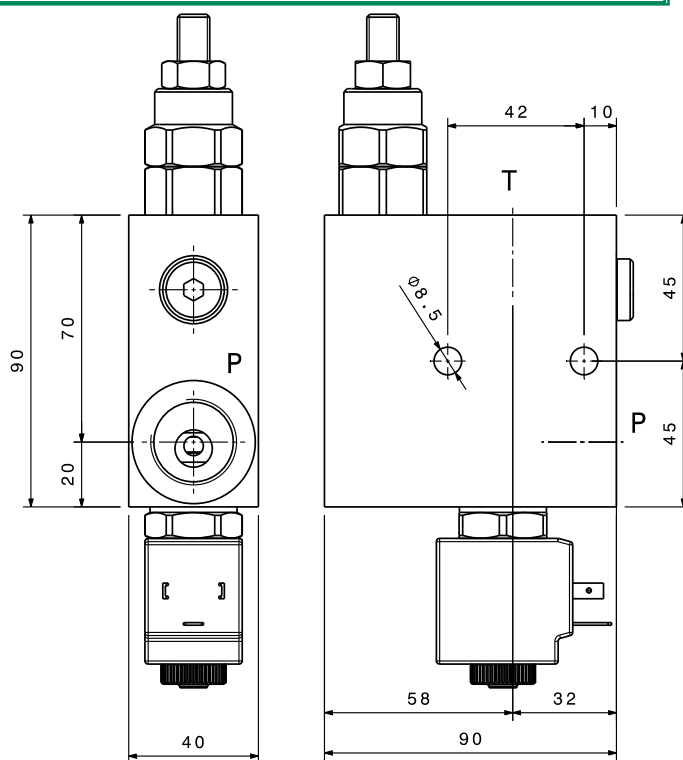


Modello Type	P,T	Pressione max Max pressure	Portata max Max. flow
EV102X-VLP80-34	3/4" GAS	300 bar 4300 psi	70 l/min 18.5 gpm

Taratura Setting		
Codice Code	Taratura standard Standard setting (Q=5 l/min)	Campo di taratura Adj. Pressure range
00	40 bar 580 psi	5+40 bar 72.5+580 psi
01	80 bar 1160 psi	20+100 bar 290+1450 psi
02	180 bar 2600 psi	40+250 bar 580+3600 psi
03	250 bar 3600 psi	60+350 bar 870+5000 psi

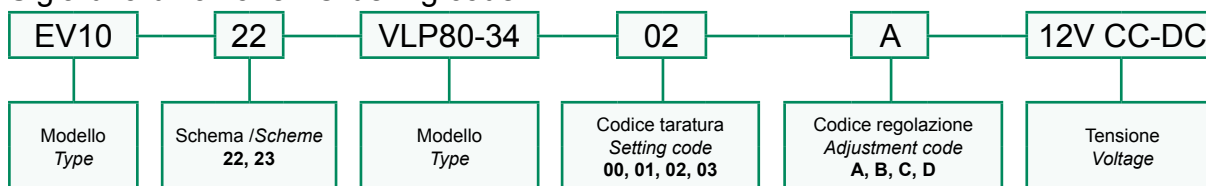
Regolazioni Adjustments			
<p><b>A</b></p> <p>Vite esterna esagono incassato Leakproof hex socket screw</p>	<p><b>B</b></p> <p>Volantino e dado Handknob and locknut</p>	<p><b>C</b></p> <p>Piombatura Sealing cap</p>	<p><b>D</b></p> <p>Cappellotto Cap</p>

Dati e tarature ottenuti usando olio con viscosità 30 cSt a 50°C Performances and calibrations are carried out by using hydraulic oil with 30 cSt viscosity at 50°C	
Viscosità consigliate Recommended viscosity	10 ÷ 420 cSt
Temperature di lavoro Working temperature	-20 ÷ +90 °C
Filtrazione assoluta Absolute filtration	25 µ



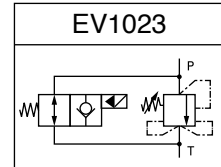
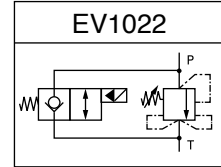
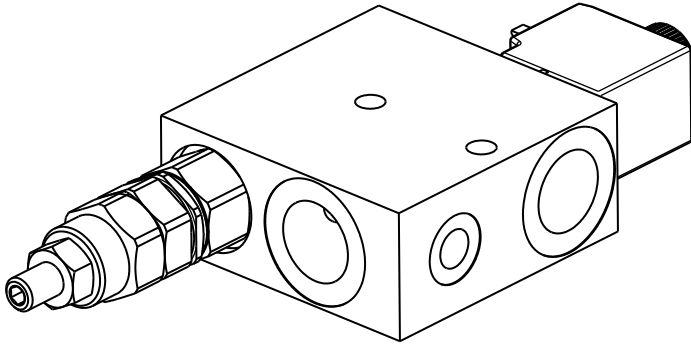
Tensione Voltage	12 V CC-DC 24 V CC-DC 110 V CC-DC 220 V CC-DC 24V RAC* 110V RAC* 220V RAC*
*da usare per alimentazione in corrente alternata raddrizzata *use only with rectified alternate current	
Connettore Connector	DIN43650

Sigla di ordinazione / Ordering code



I dati non sono impegnativi, CBF si riserva di apportare modifiche senza preavviso.  
The specifications are not binding, CBF reserves the right to introduce modifications without notice.

Valvola limitatrice di pressione compensata con bypass elettrico  
Single relief valve pressure compensated with electric bypass  
mod. EV102X-VLP80CC

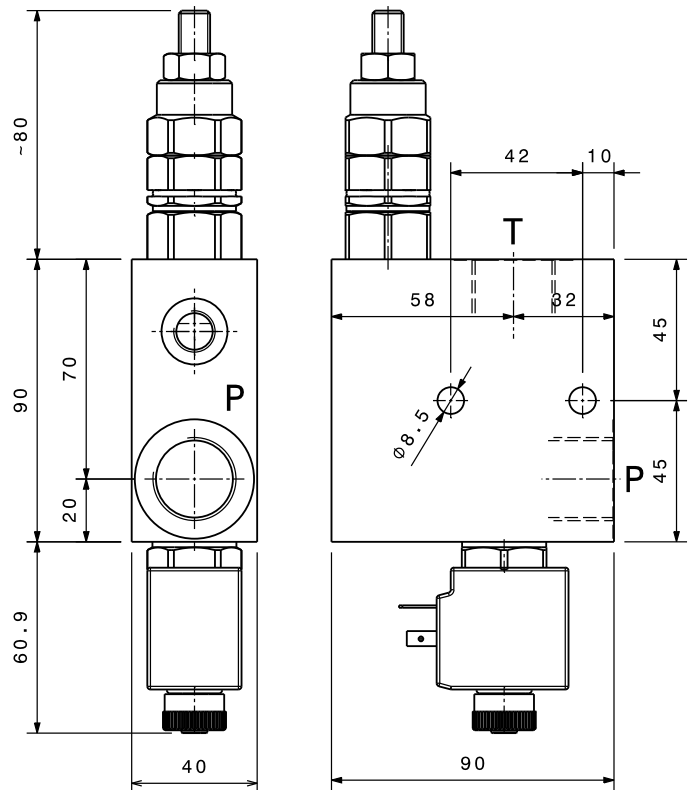


Modello Type	P,T	Pressione max Max pressure	Portata max Max. flow
<b>EV102X-VLP80CC-34</b>	3/4"GAS	300 bar 4300 psi	70 l/min 18.5 gpm

Taratura / Setting		
Codice Code	Taratura standard Standard setting (Q=5 l/min)	Campo di taratura Adj. Pressure range
00	40 bar 580 psi	5÷40 bar 72.5÷580 psi
01	80 bar 1160 psi	20÷100 bar 290÷1450 psi
02	180 bar 2600 psi	40÷250 bar 580÷3600 psi
03	250 bar 3600 psi	60÷350 bar 870÷5000 psi

Regolazioni Adjustments			
<b>A</b>  Vite esterna esagono incassato Leakproof hex socket screw	<b>B</b>  Volantino e dado Handknob and locknut	<b>C</b>  Piombatura Sealing cap	<b>D</b>  Cappello Cap

Dati e tarature ottenuti usando olio con viscosità 30 cSt a 50°C Performances and calibrations are carried out by using hydraulic oil with 30 cSt viscosity at 50°C	
Viscosità consigliate Recommended viscosity	10 ÷ 420 cSt
Temperature di lavoro Working temperature	-20 ÷ +90 °C
Filtrazione assoluta Absolute filtration	25 µ



<b>Tensione Voltage</b>	12 V CC-DC 24 V CC-DC 110 V CC-DC 220 V CC-DC 24V RAC* 110V RAC* 220V RAC*
*da usare per alimentazione in corrente alternata raddrizzata *use only with rectified alternate current	
<b>Connettore Connector</b>	DIN43650

Sigla di ordinazione / Ordering code

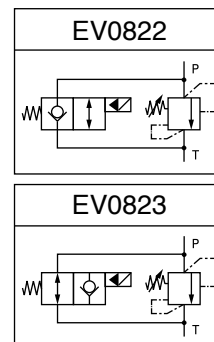
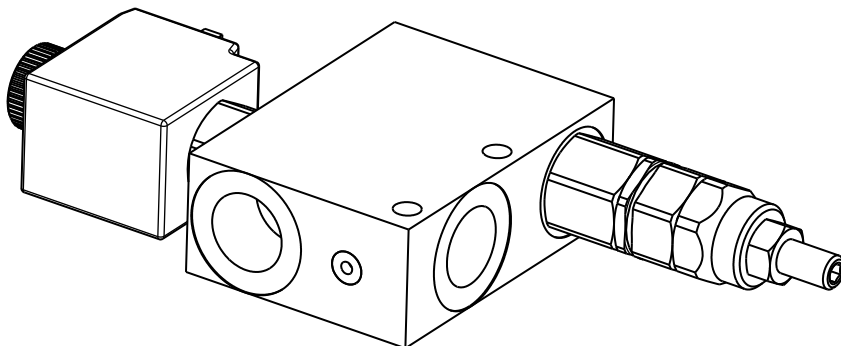
EV10	22	VLP80CC-34	02	A	12V CC-DC
Modello Type	Schema / Scheme 22, 23	Modello Type	Codice taratura Setting code 00, 01, 02, 03	Codice regolazione Adjustment code A, B, C, D	Tensione Voltage

I dati non sono impegnativi, **CBF** si riserva di apportare modifiche senza preavviso.  
The specifications are not binding, **CBF** reserves the right to introduce modifications without notice.

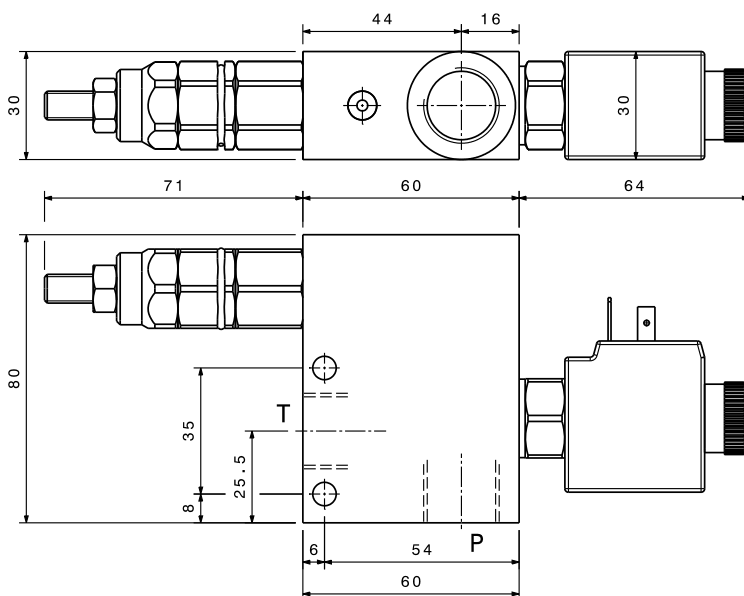


Valvola limitatrice di pressione compensata con bypass elettrico  
 Single relief valve pressure compensated with electric bypass

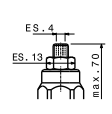
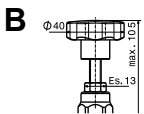
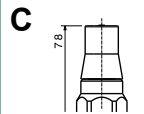
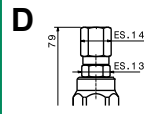
mod. EV082X-VLP40CC



Modello Type	P,T	Pressione max Max pressure	Portata max Max. flow
<b>EV082X- VLP40CC-38</b>	3/8" GAS	300 bar 4300 psi	40 l/min 10.5 gpm
<b>EV082X- VLP40CC-12</b>	1/2" GAS	300 bar 4300 psi	40 l/min 10.5 gpm



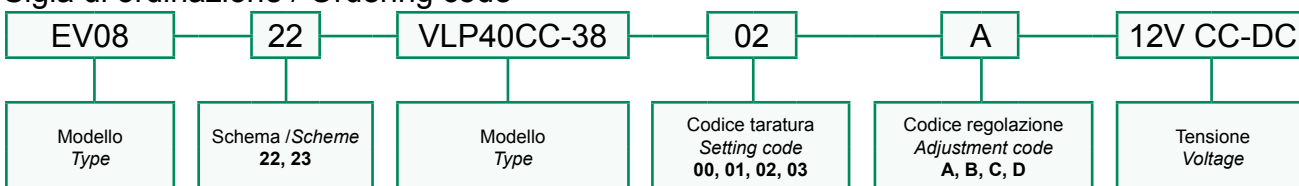
Taratura / Setting		
Codice Code	Taratura standard Standard setting (Q=5 l/min)	Campo di taratura Adj. Pressure range
<b>00</b>	<b>40 bar 580 psi</b>	<b>5+40 bar 72.5+580 psi</b>
<b>01</b>	<b>80 bar 1160 psi</b>	<b>20+100 bar 290+1450 psi</b>
<b>02</b>	<b>180 bar 2600 psi</b>	<b>40+250 bar 580+3600 psi</b>
<b>03</b>	<b>250 bar 3600 psi</b>	<b>60+350 bar 870+5000 psi</b>

Regolazioni Adjustments			
<b>A</b>  Vite esterna esagono incassato Leakproof hex socket screw	<b>B</b>  Volantino e dado Handknob and locknut	<b>C</b>  Piombatura Sealing cap	<b>D</b>  Cappello Cap

Dati e tarature ottenuti usando olio con viscosità 30 cSt a 50°C Performances and calibrations are carried out by using hydraulic oil with 30 cSt viscosity at 50°C	
Viscosità consigliate Recommended viscosity	10 ÷ 420 cSt
Temperature di lavoro Working temperature	-20 ÷ +90 °C
Filtrazione assoluta Absolute filtration	25 µ

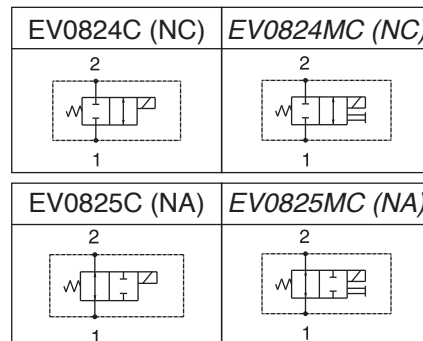
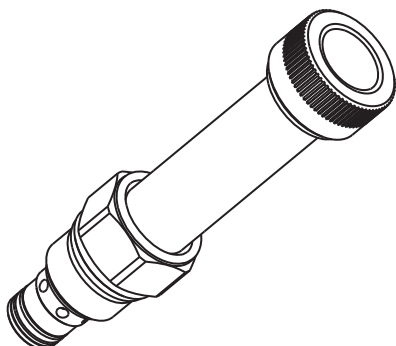
<b>Tensione Voltage</b>	12 V CC-DC 24 V CC-DC 110 V CC-DC 220 V CC-DC 24V RAC* 110V RAC* 220V RAC*
*da usare per alimentazione in corrente alternata raddrizzata *use only with rectified alternate current	
<b>Connettore Connector</b>	DIN43650

Sigla di ordinazione / Ordering code

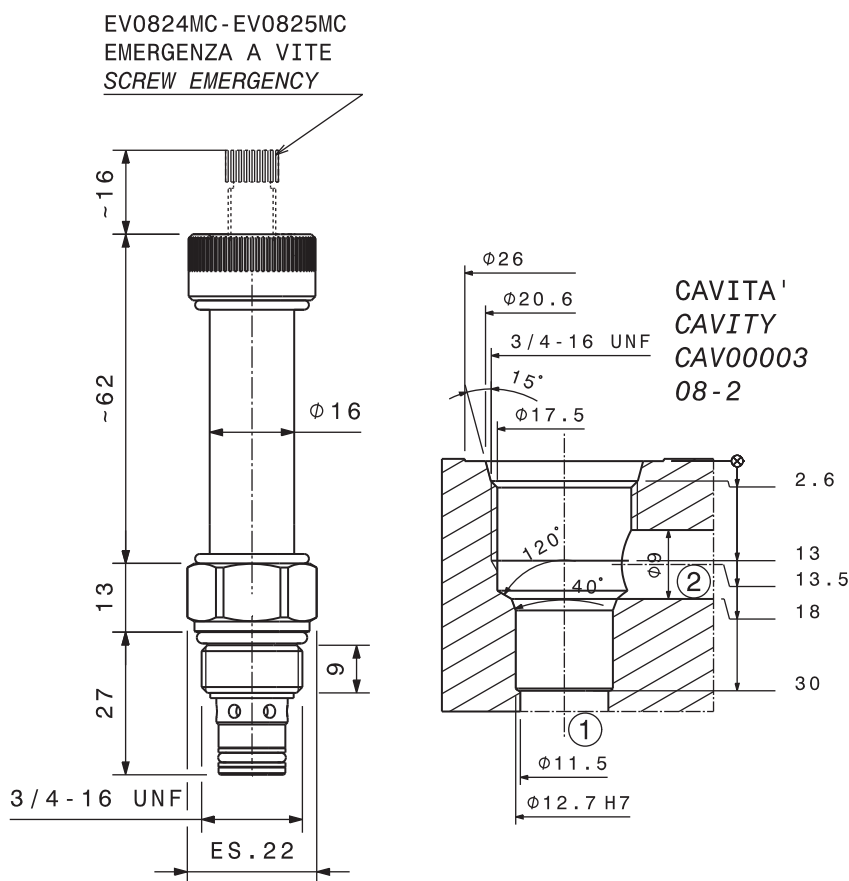


I dati non sono impegnativi, CBF si riserva di apportare modifiche senza preavviso.  
 The specifications are not binding, CBF reserves the right to introduce modifications without notice.

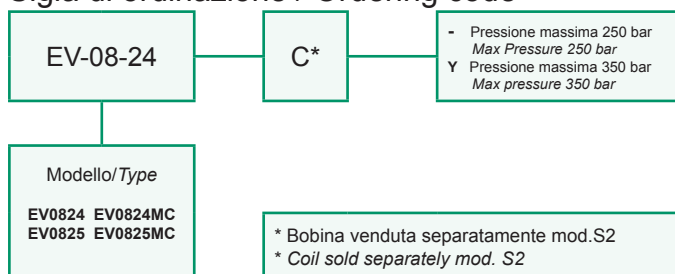
Valvola elettrica direzionale 2/2 con tenuta a cassetto, a cartuccia  
 2/2 solenoid directional valve, spool type - cartridge  
 mod. EV08-2X-C



Portata massima Max flow	20 l/min 5.3 gpm	
Pressione massima Max pressure	EV-08-2X-C	250 bar 3600 psi
	EV-08-2X-C-Y (Su richiesta) (Upon request)	350 bar 5000 psi
Coppia di serraggio Installation torque	27 ÷ 30 Nm 20 ÷ 22.5 lbf ft	
<p>Dati e tarature ottenuti usando olio a 30 cSt a 50°C.                  Viscosità raccomandate 10 ÷ 420 cSt. Temperature di lavoro -20÷+90 °C. Filtrazione assoluta 25 µ.                  Performances and calibrations are carried out by using hydraulic oil with 30 cSt viscosity at 50°C (122 F). Recommended viscosity 10 ÷ 420 cSt, working temperature -20÷+90 °C (-4 F÷194 F). Absolute filtration 25 µ.</p>		

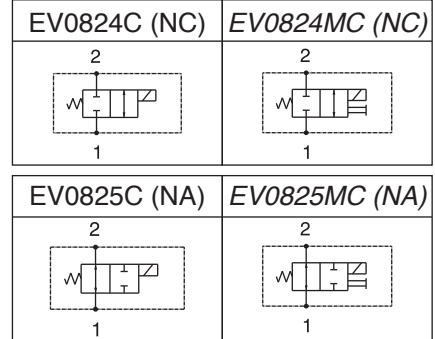
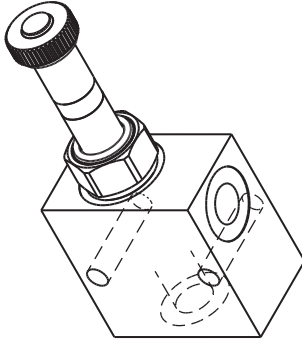


Sigla di ordinazione / Ordering code



I dati non sono impegnativi, CBF si riserva di apportare modifiche senza preavviso.  
 The specifications are not binding, CBF reserves the right to introduce modifications without notice.

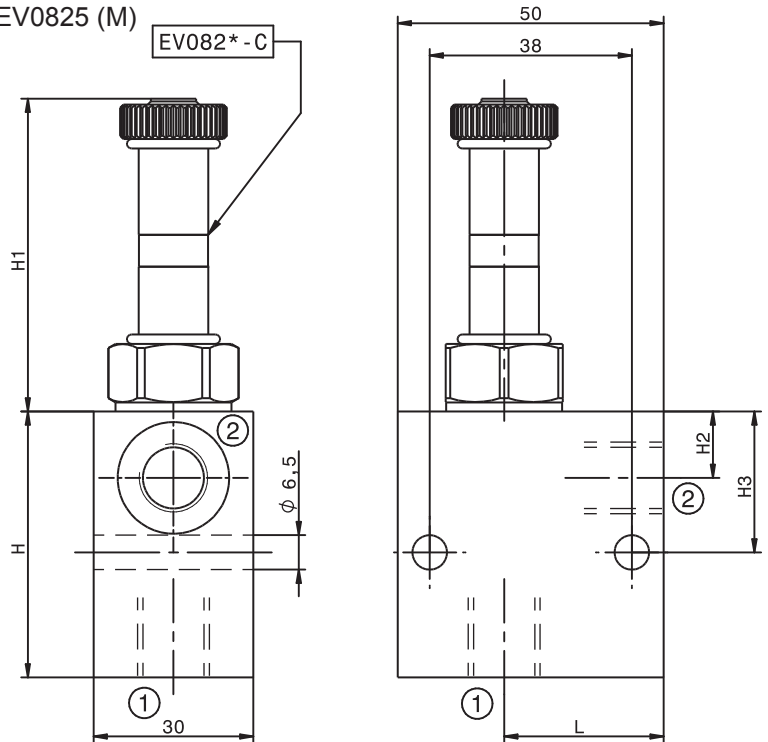
Valvola elettrica direzionale 2/2, tenuta a cassetto  
2/2 solenoid directional valve, spool type  
mod. EV-08-2X



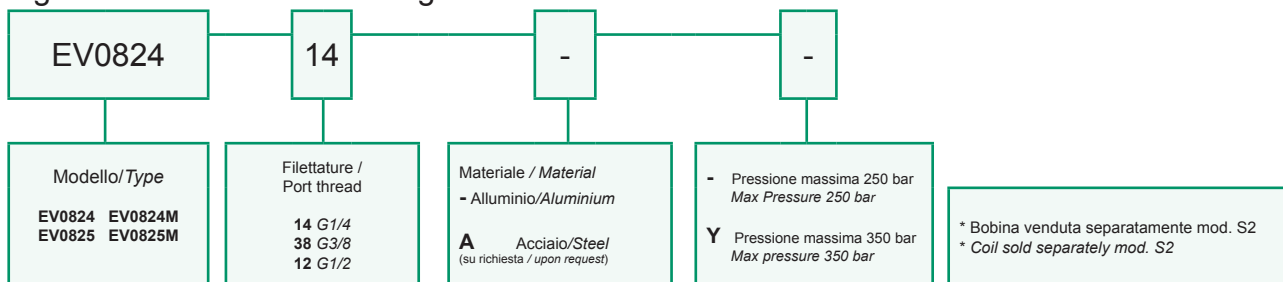
Portata massima Max flow	20 l/min 5.3 gpm	
Pressione massima Max pressure bar/psi	EV-08-2*-**	250 bar 3600 psi
	EV-08-2*-**-*Y (Su richiesta) (Upon request)	350 bar 5000 psi

Modello Type	② ①	H	H1	H2	H3	L
EV0824-14	G1/4	50	59	12.5	26.5	30
EV0824-38	G3/8	60	59	15	36.5	32
EV0824-12	G1/2	60	59	15	36.5	31
EV0825-14	G1/4	50	64	12.5	26.5	30
EV0825-38	G3/8	60	64	15	36.5	32
EV0825-12	G1/2	60	64	15	36.5	31
EV0824M-14	G1/4	50	81	12.5	26.5	30
EV0824M-38	G3/8	60	81	15	36.5	32
EV0824M-12	G1/2	60	81	15	36.5	31
EV0825M-14	G1/4	50	84	12.5	26.5	30
EV0825M-38	G3/8	60	84	15	36.5	32
EV0825M-12	G1/2	60	84	15	36.5	31

EV0824 (M)  
EV0825 (M)

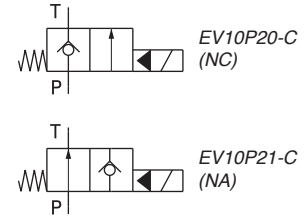
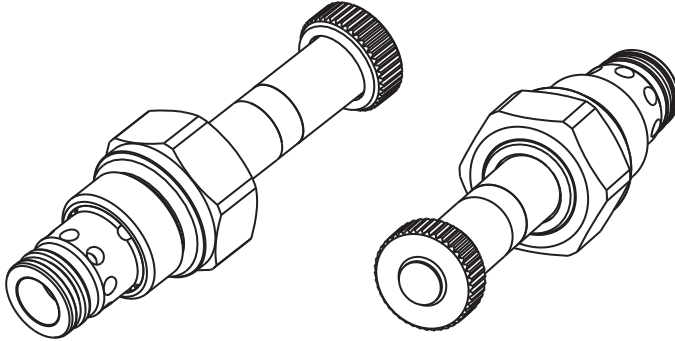


Sigla di ordinazione / Ordering code

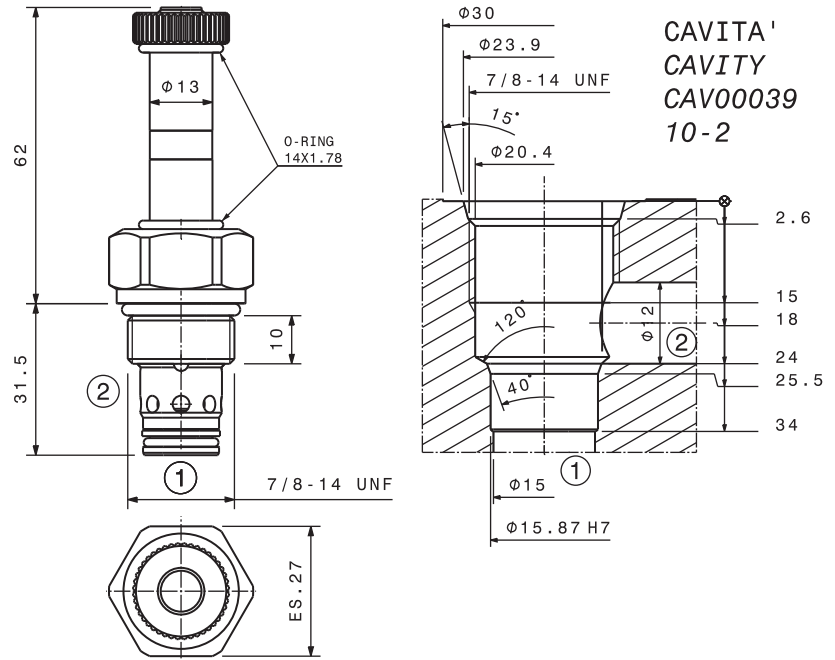


I dati non sono impegnativi, CBF si riserva di apportare modifiche senza preavviso.  
The specifications are not binding, CBF reserves the right to introduce modifications without notice.

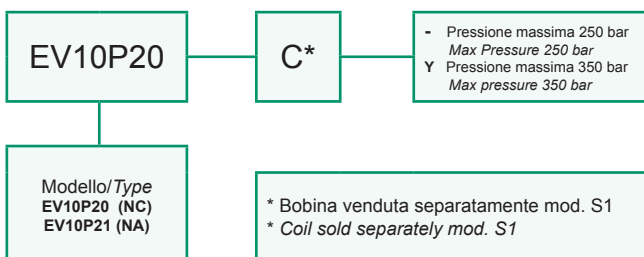
Valvola elettrica di messa a scarico 2/2 a cartuccia  
 2/2 solenoid operated unloading valve, cartridge type  
 mod. EV-10P2X-C



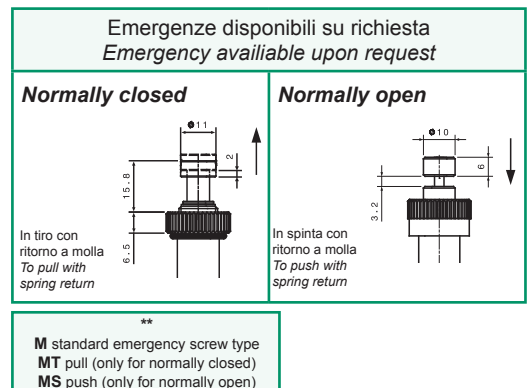
Portata massima Max flow	70 l/min 18.5 gpm	
Pressione massima Max pressure	EV-10-P2X-C	250 bar 3600 psi
	EV-10-P2X-C-Y (Su richiesta) (Upon request)	350 bar 5000 psi
Pressione apertura Cracking pressure	2 bar 29 psi	
Coppia di serraggio Installation torque	45 ÷ 50 Nm 33 ÷ 37 lbf ft	
Dati e tarature ottenuti usando olio a 30 cSt a 50°C. Viscosità raccomandate 10 ÷ 420 cSt. Temperature di lavoro -20÷+90 °C. Filtrazione assoluta 25 µ. Performances and calibrations are carried out by using hydraulic oil with 30 cSt viscosity at 50°C (122 F). Recommended viscosity 10 ÷ 420 cSt, working temperature -20÷+90 °C (-4 F÷194 F). Absolute filtration 25 µ.		



Sigla di ordinazione / Ordering code

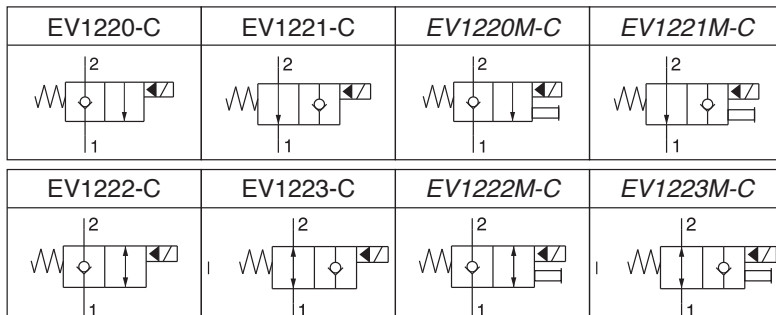
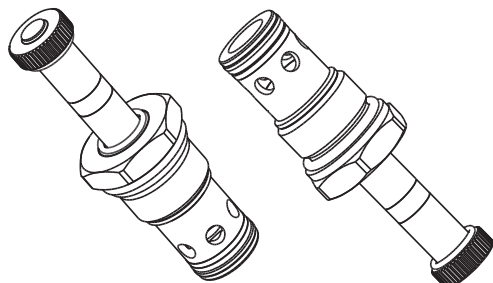


\*\*  
 Version "Y" NA normally open is available only with MS emergency



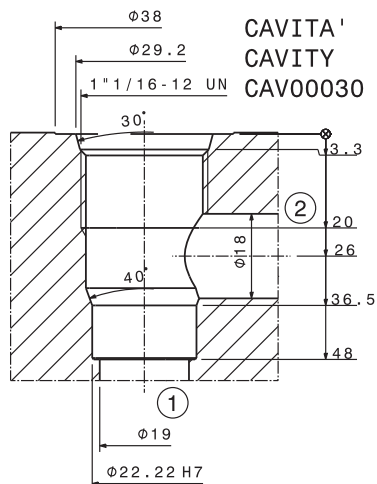
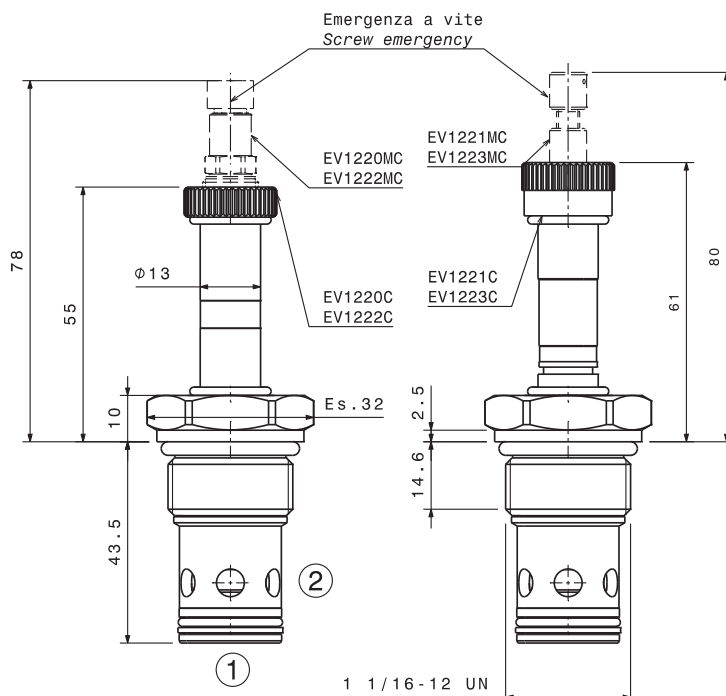
I dati non sono impegnativi, CBF si riserva di apportare modifiche senza preavviso.  
 The specifications are not binding, CBF reserves the right to introduce modifications without notice.

Valvola elettrica direzionale 2/2 a cartuccia  
2/2 solenoid directional valve, cartridge type  
mod. EV-12-2X-C



Portata massima Max flow	100 l/min 26 gpm	
Pressione massima Max pressure	EV-12-2X-C	250 bar 3600 psi
	EV-12-2X-C-Y (Su richiesta) (Upon request)	350 bar 5000 psi
Coppia di serraggio Installation torque	80 ÷ 100 Nm 60 ÷ 75 lbf ft	

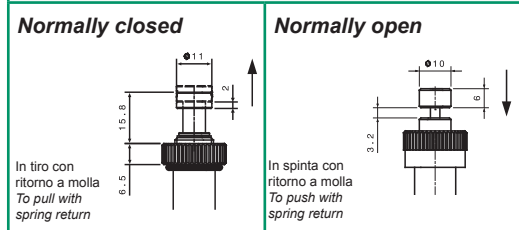
Dati e tarature ottenuti usando olio a 30 cSt a 50°C. Viscosità raccomandate 10 ÷ 420 cSt. Temperature di lavoro -20÷+90 °C. Filtrazione assoluta 25 µ.  
Performances and calibrations are carried out by using hydraulic oil with 30 cSt viscosity at 50°C (122 F). Recommended viscosity 10 ÷ 420 cSt, working temperature -20÷+90 °C (-4 F÷194 F). Absolute filtration 25 µ.



For flow diagram see  
PRESSURE DROP SOLENOID VALVE (4)

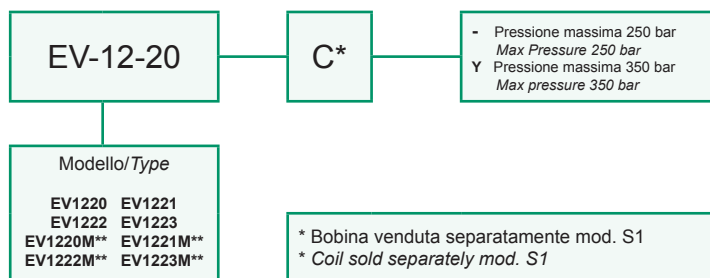
Perdite interne: max. 5 gocce/minuto a 250 bar  
Internal leakage: max. 5 drops/min at 250 bar

Emergenze disponibili su richiesta  
Emergency available upon request



\*\*  
M standard emergency screw type  
MT pull (only for normally closed)  
MS push (only for normally open)

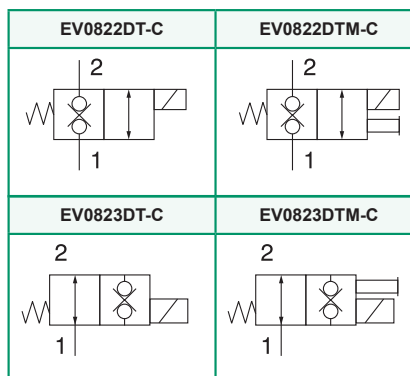
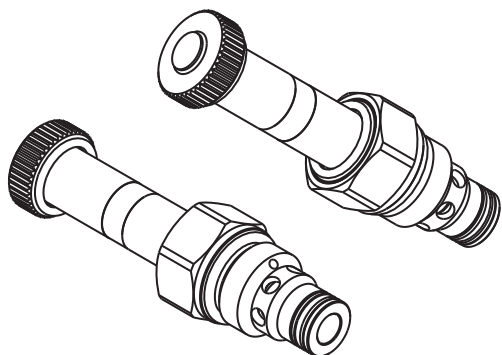
Sigla di ordinazione / Ordering code



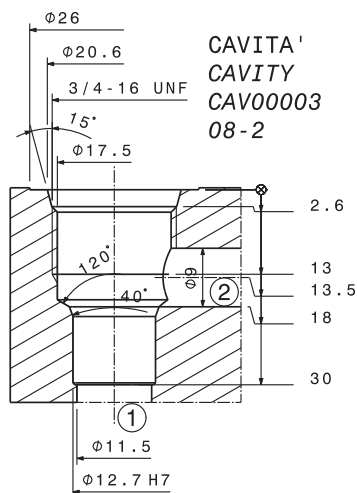
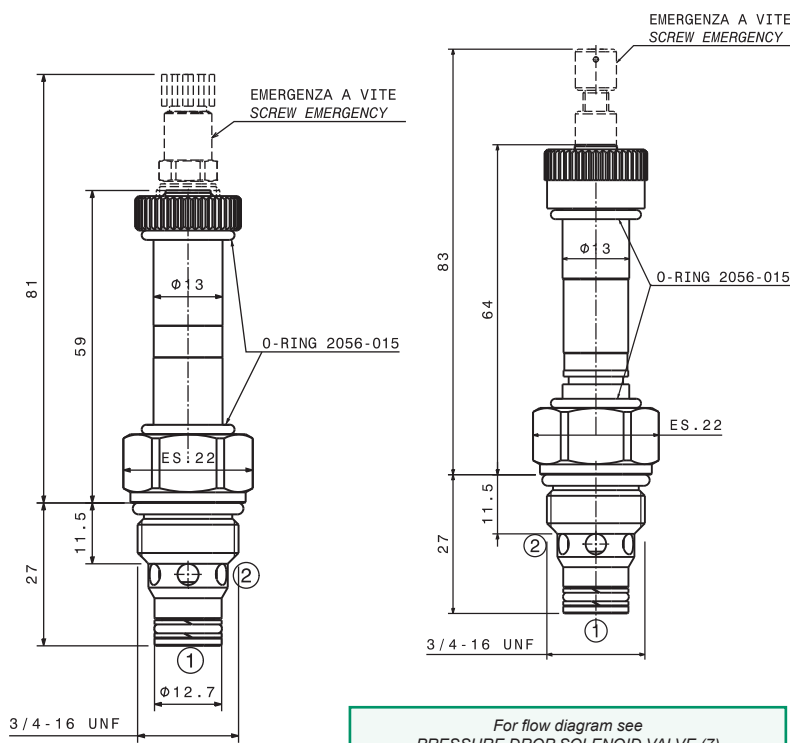
I dati non sono impegnativi, CBF si riserva di apportare modifiche senza preavviso.  
The specifications are not binding, CBF reserves the right to introduce modifications without notice.

Valvola elettrica direzionale 2/2 a doppia tenuta  
 2/2 solenoid directional valve, bidirectional blocking

mod. EV-08-2X-DT-C



Portata massima Max flow	40 l/min 10.5 gpm	
Pressione massima Max pressure	EV-08-22-DT-C	250 bar 3600 psi
	EV-08-22-DT-C-Y (Su richiesta) (Upon request)	350 bar 5000 psi
Coppia di serraggio Installation torque	27 ÷ 30 Nm 20 ÷ 23 lbf ft	
Dati e tarature ottenuti usando olio a 30 cSt a 50°C. Viscosità raccomandate 10 ÷ 420 cSt. Temperature di lavoro -20÷+90 °C. Filtrazione assoluta 25 µ. Performances and calibrations are carried out by using hydraulic oil with 30 cSt viscosity at 50°C (122 F). Recommended viscosity 10 ÷ 420 cSt, working temperature -20÷+90 °C (-4 F÷194 F). Absolute filtration 25 µ.		

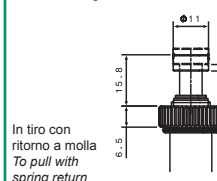


For flow diagram see  
 PRESSURE DROP SOLENOID VALVE (7)

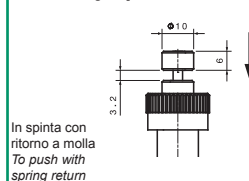
Perdite interne: max. 5 gocce/minuto a 250 bar  
 Internal leakage: max. 5 drops/min at 250 bar

Emergenze disponibili su richiesta  
 Emergency available upon request

**Normally closed**



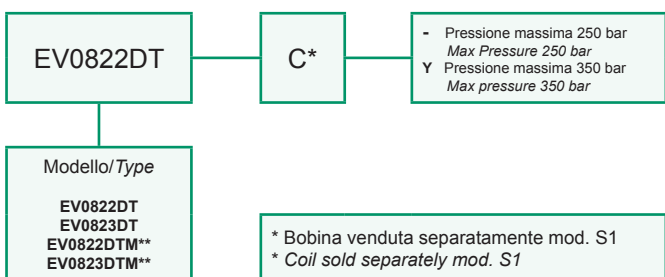
**Normally open**



\*\*  
 M standard emergency screw type  
 MT pull (only for normally closed)  
 MS push (only for normally open)

\*\*  
 Version "Y" NA normally open is available only with MS emergency

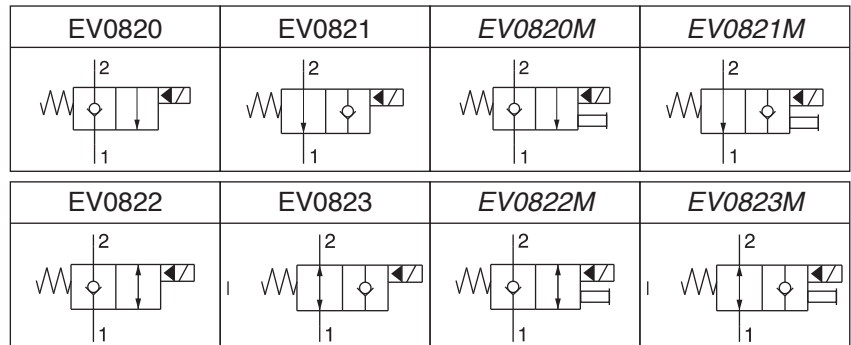
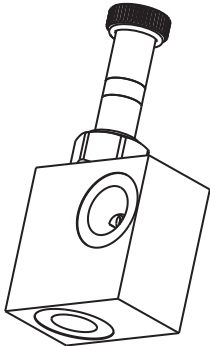
Sigla di ordinazione / Ordering code



I dati non sono impegnativi, CBF si riserva di apportare modifiche senza preavviso.  
 The specifications are not binding, CBF reserves the right to introduce modifications without notice.

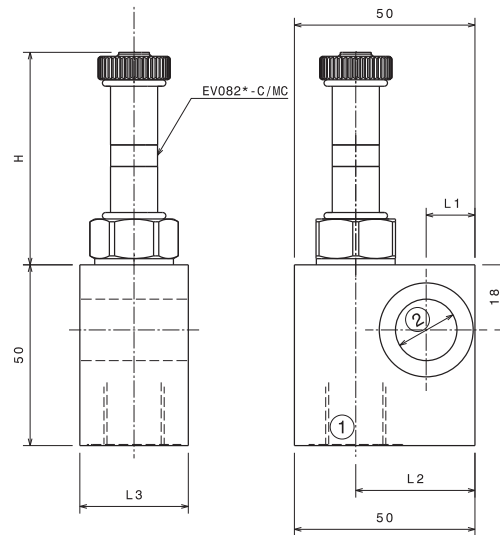
Valvola elettrica direzionale 2/2 a cartuccia, flangiabile con vite cava  
2/2 solenoid directional valve, nipple screw flangeable

mod. EV-08-2X-VC



Portata massima Max flow	40 l/min 10.5 gpm	
Pressione massima Max pressure	EV-08-2*-VC-**-	250 bar 3600 psi
	EV-08-2*-VC-**-Y (Su richiesta) (Upon request)	350 bar 5000 psi

Modello Type	①	②	H	L1	L2	L3
EV0820-VC-38	G3/8	∅ 17	59	13.5	33	30
EV0821-VC-38	G3/8	∅ 17	64	13.5	33	30
EV0822-VC-38	G3/8	∅ 17	59	13.5	33	30
EV0823-VC-38	G3/8	∅ 17	64	13.5	33	30
EV0820M-VC-38	G3/8	∅ 17	81	13.5	33	30
EV0821M-VC-38	G3/8	∅ 17	84	13.5	33	30
EV0822M-VC-38	G3/8	∅ 17	81	13.5	33	30
EV0823M-VC-38	G3/8	∅ 17	84	13.5	33	30
EV0820-VC-12	G1/2	∅ 21	59	15	35	35
EV0821-VC-12	G1/2	∅ 21	64	15	35	35
EV0822-VC-12	G1/2	∅ 21	59	15	35	35
EV0823-VC-12	G1/2	∅ 21	64	15	35	35
EV0820M-VC-12	G1/2	∅ 21	81	15	35	35
EV0821M-VC-12	G1/2	∅ 21	84	15	35	35
EV0822M-VC-12	G1/2	∅ 21	81	15	35	35
EV0823M-VC-12	G1/2	∅ 21	84	15	35	35



\*\* Version "Y" NA normally open is available only with MS emergency

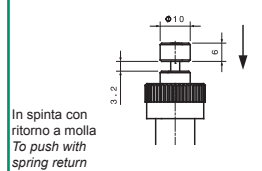
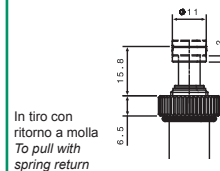
For flow diagram see PRESSURE DROP SOLENOID VALVE (1)

Perdite interne: max. 5 gocce/minuto a 250 bar  
Internal leakage: max. 5 drops/min at 250 bar

Emergenze disponibili su richiesta  
Emergency available upon request

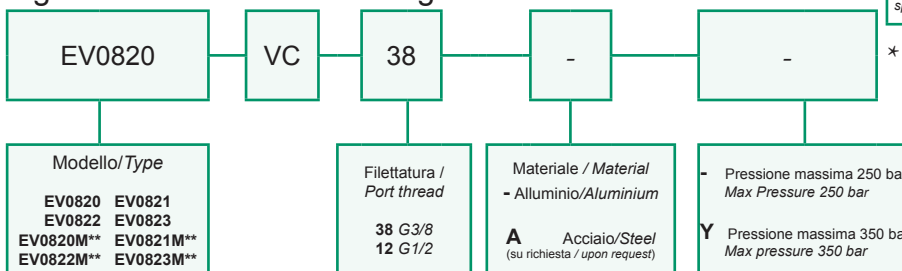
Normally closed

Normally open



\*\* M standard emergency screw type  
MT pull (only for normally closed)  
MS push (only for normally open)

Sigla di ordinazione / Ordering code

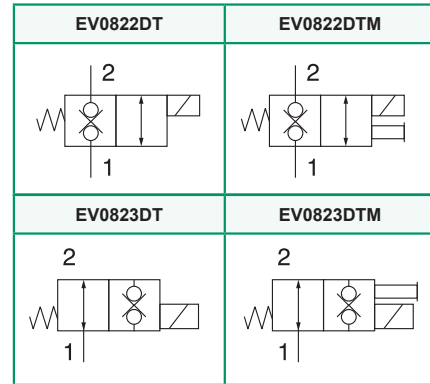
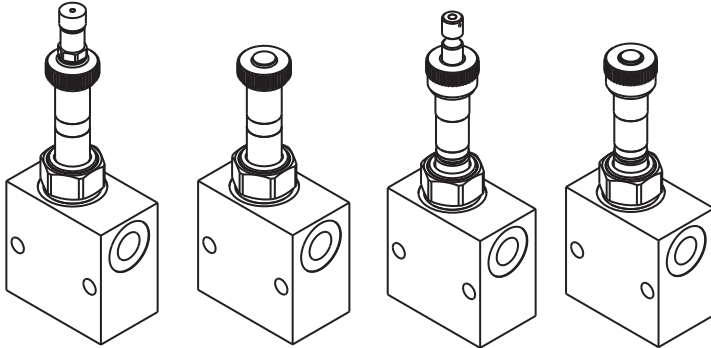


Vite cava disponibile a richiesta Nipple screw available upon request	Modello Type	Codice di ordinazione Ordering Code
	EV082X-VC-38	KITV0002
	EV082X-VC-12	KITV0003

\* Bobina venduta separatamente mod. S1  
\* Coil sold separately mod. S1

I dati non sono impegnativi, CBF si riserva di apportare modifiche senza preavviso.  
The specifications are not binding, CBF reserves the right to introduce modifications without notice.

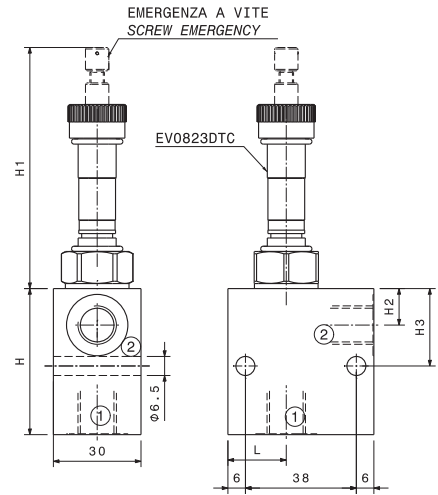
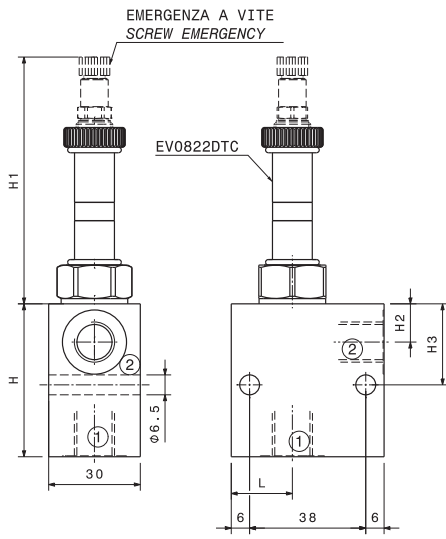
Valvola elettrica direzionale 2/2 a doppia tenuta normalmente chiusa  
2/2 solenoid directional valve, bidirectional blocking  
mod. EV-08-2X-DT



Portata massima Max flow	40 l/min 10.5 gpm	
Pressione massima Max pressure	EV-08-22-DT-**	250 bar 3600 psi
	EV-08-22-DT-**-Y (Su richiesta) (Upon request)	350 bar 5000 psi

Dati e tarature ottenuti usando olio a 30 cSt a 50°C. Viscosità raccomandate 10 + 420 cSt. Temperature di lavoro -20+90 °C. Filtrazione assoluta 25 µ.  
Performances and calibrations are carried out by using hydraulic oil with 30 cSt viscosity at 50°C (122 F). Recommended viscosity 10 + 420 cSt, working temperature -20+90 °C (-4 F+194 F). Absolute filtration 25 µ.

Modello Type	Attacchi Ports	H	H1	H2	H3	L
EV0822DT14	G1/4	50	59	12.5	26.5	20
EV0822DT38	G3/8	60	59	15	36.5	18
EV0822DT12	G1/2	60	59	15	36.5	18
EV0822DTM14	G1/4	50	81	12.5	26.5	20
EV0822DTM38	G3/8	60	81	15	36.5	18
EV0822DTM12	G1/2	60	81	15	36.5	18
EV0823DT14	G1/4	50	64	12.5	26.5	20
EV0823DT38	G3/8	60	64	15	36.5	18
EV0823DT12	G1/2	60	64	15	36.5	18
EV0823DTM14	G1/4	50	83	12.5	26.5	20
EV0823DTM38	G3/8	60	83	15	36.5	18
EV0823DTM12	G1/2	60	83	15	36.5	18

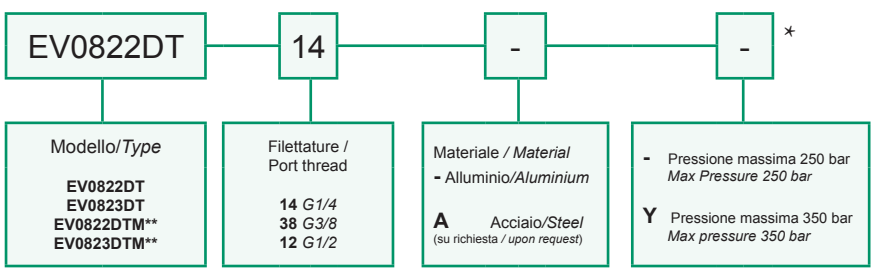


Perdite interne: max. 5 gocce/minuto a 250 bar  
Internal leakage: max. 5 drops/min at 250 bar

\*\*  
M standard emergency screw type  
MT pull (only for normally closed)  
MS push (only for normally open)

\*\*  
Version "Y" NA normally open is available only with MS emergency

Sigla di ordinazione / Ordering code



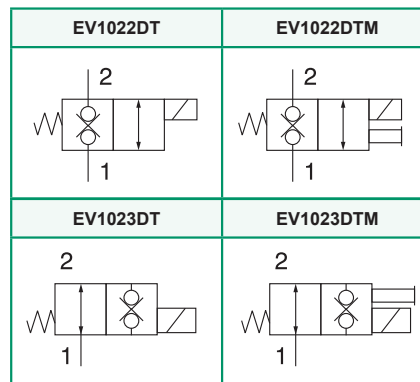
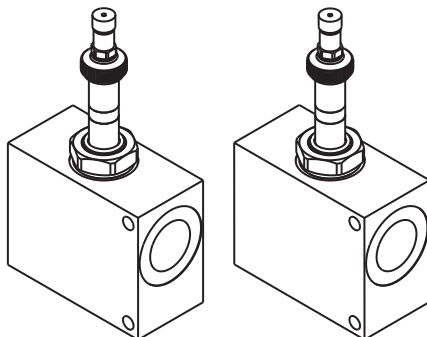
For flow diagram see PRESSURE DROP SOLENOID VALVE (7)

\* Bobina venduta separatamente mod. S1  
\* Coil sold separately mod. S1

I dati non sono impegnativi, CBF si riserva di apportare modifiche senza preavviso.  
The specifications are not binding, CBF reserves the right to introduce modifications without notice.



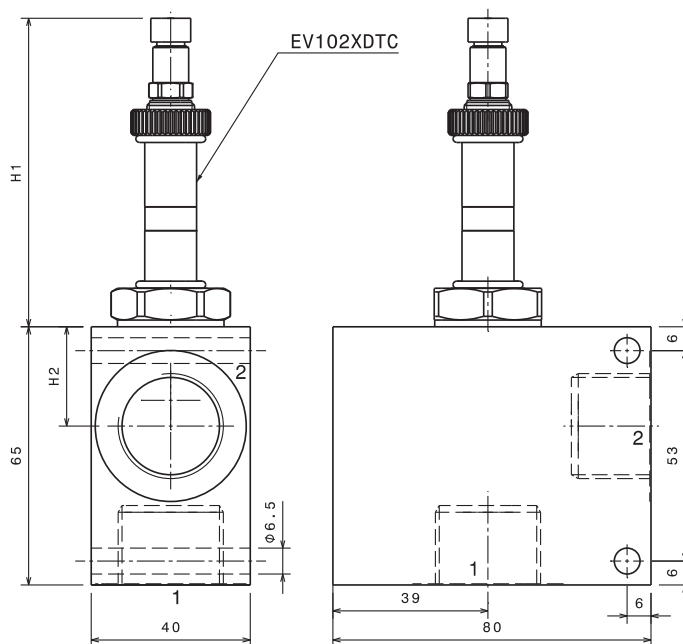
Valvola elettrica direzionale 2/2 a doppia tenuta  
 2/2 solenoid directional valve, bidirectional blocking  
 mod. EV-10-2X-DT



Portata massima Max flow	70 l/min 18.5 gpm	
Pressione massima Max pressure	EV-10-2*-DT-**-	250 bar 3600 psi
	EV-10-2*-DT-**-Y (Su richiesta) (Upon request)	350 bar 5000 psi

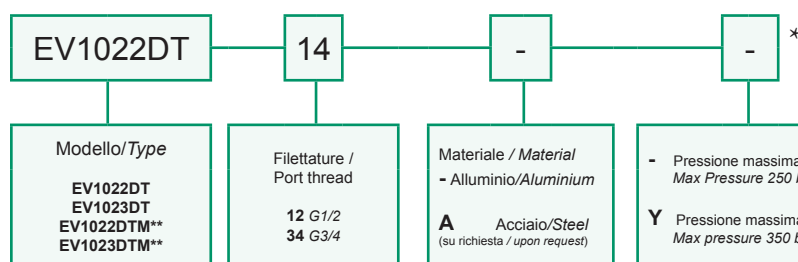
Dati e tarature ottenuti usando olio a 30 cSt a 50°C.  
 Viscosità raccomandate 10 ÷ 420 cSt. Temperature di lavoro -20÷+90 °C. Filtrazione assoluta 25 µ.  
 Performances and calibrations are carried out by using hydraulic oil with 30 cSt viscosity at 50°C (122 F). Recommended viscosity 10 ÷ 420 cSt, working temperature -20÷+90 °C (-4 F÷194 F). Absolute filtration 25 µ.

Modello Type		H1	H2
<b>EV1020DT-12</b>	G1/4	56	23.5
<b>EV1020DT-34</b>	G3/4	56	25
<b>EV1021DT-12</b>	G1/2	61	23.5
<b>EV1021DT-34</b>	G3/4	61	25
<b>EV1022DT-12</b>	G1/2	56	23.5
<b>EV1022DT-34</b>	G3/4	56	25
<b>EV1023DT-12</b>	G1/2	61	23.5
<b>EV1023DT-34</b>	G3/4	61	25
<b>EV1020DTM-12</b>	G1/2	78	23.5
<b>EV1020DTM-34</b>	G3/4	78	25
<b>EV1021DTM-12</b>	G1/2	81	23.5
<b>EV1021DTM-34</b>	G3/4	81	25
<b>EV1022DTM-12</b>	G1/2	78	23.5
<b>EV1022DTM-34</b>	G3/4	78	25
<b>EV1023DTM-12</b>	G1/2	81	23.5
<b>EV1023DTM-34</b>	G3/4	81	25



\*\* Version "Y" NA normally open is available only with MS emergency

Sigla di ordinazione / Ordering code



For flow diagram see PRESSURE DROP SOLENOID VALVE (3)

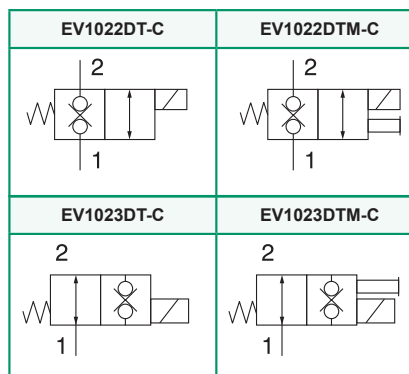
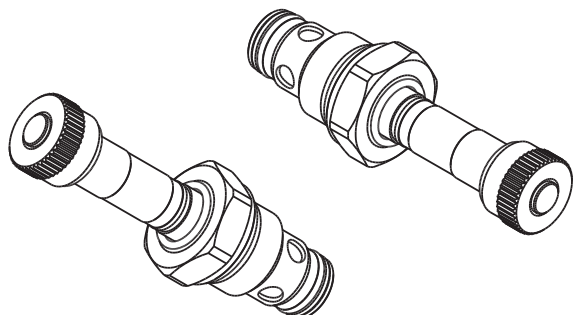
\*\* M standard emergency screw type  
 MT pull (only for normally closed)  
 MS push (only for normally open)

\* Bobina venduta separatamente mod. S1  
 \* Coil sold separately mod. S1

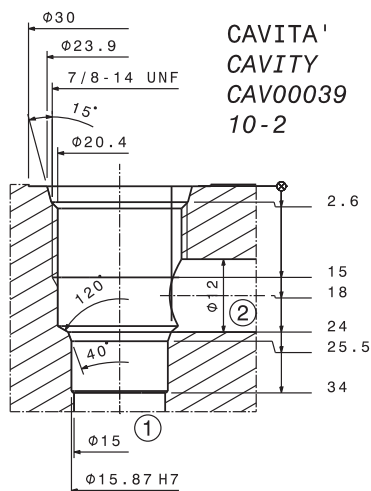
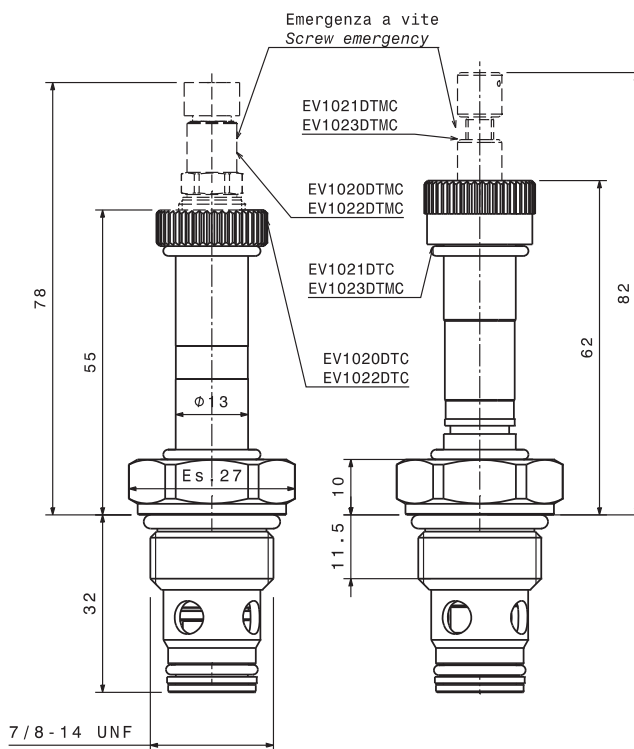
I dati non sono impegnativi, CBF si riserva di apportare modifiche senza preavviso.  
 The specifications are not binding, CBF reserves the right to introduce modifications without notice.

Valvola elettrica direzionale 2/2 a doppia tenuta  
 2/2 solenoid directional valve, bidirectional blocking

mod. EV-10-2X-DT-C

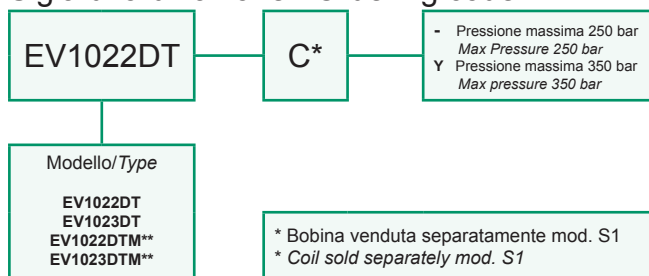


Portata massima Max flow	70 l/min 18.5 gpm	
Pressione massima Max pressure	EV-10-2*-DT-C	250 bar 3600 psi
	EV-10-2*-DT-C-Y (Su richiesta) (Upon request)	350 bar 5000 psi
Coppia di serraggio Installation torque	45 ÷ 50 Nm 33 ÷ 37 lbf ft	
Dati e tarature ottenuti usando olio a 30 cSt a 50°C. Viscosità raccomandate 10 ÷ 420 cSt. Temperature di lavoro -20÷+90 °C. Filtrazione assoluta 25 µ. Performances and calibrations are carried out by using hydraulic oil with 30 cSt viscosity at 50°C (122 F). Recommended viscosity 10 ÷ 420 cSt, working temperature -20÷+90 °C (-4 F÷194 F). Absolute filtration 25 µ.		



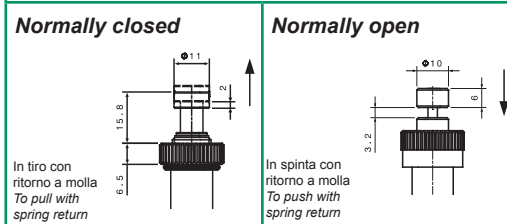
For flow diagram see  
PRESSURE DROP SOLENOID VALVE (3)

Sigla di ordinazione / Ordering code



\*\*  
Version "Y" NA normally open is available only with MS emergency

Emergenze disponibili su richiesta  
Emergency available upon request



\*\*  
M standard emergency screw type  
MT pull (only for normally closed)  
MS push (only for normally open)

I dati non sono impegnativi, CBF si riserva di apportare modifiche senza preavviso.  
The specifications are not binding, CBF reserves the right to introduce modifications without notice.



## LubeTeam Hydraulic S.r.l.

*Administration and Headquarter:*

Via Tufara Scautieri, 6

83018 - San Martino Valle Caudina (AV)

*Office and Warehouse:*

S.S. 7 Appia, Km. 237,00

82011 - Airola BN

ITALY

Tel. +39 0823 950 994

Fax +39 0823 412 546

[www.lubeteam.it](http://www.lubeteam.it) [info@lubeteam.it](mailto:info@lubeteam.it)

Italian VAT / C.F. e P.IVA: 01251720627

Follow us



This document is the property of LubeTeam Hydraulic S.r.l. All data reported here are for the exclusive use of the Receiver. Reproduction is not authorized without writing permission, in all or in part of the content of this document, in accordance to Law 633 art. 171, dated April 22, 1941.

Il presente documento è di proprietà della LubeTeam Hydraulic S.r.l. I dati riportati sono per esclusivo del destinatario. La riproduzione, di tutto o in parte, non è autorizzata senza permesso scritto secondo l'art. 171 della L. 633 del 22 Aprile 1941.