



STUCCHI
Innesti Rapidi
A/C veicoli



 HYDRAULIC
COMPONENTS
& FLUID CONTAMINATION
CONTROL

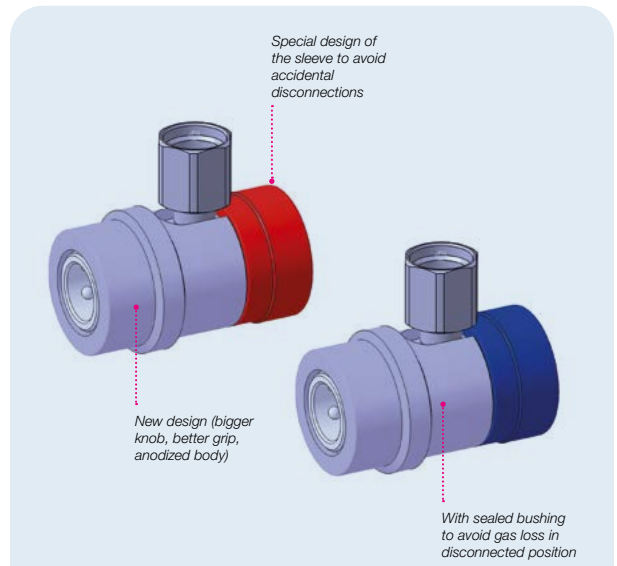


All trademarks belong to their respective owners; third party trademarks, product names, trade names, corporate names and company names mentioned may be trademarks of their respective owners or registered trademarks of other companies and are used for instructional purposes and for the benefit of the owner, without any end of Copyright infringement in force.











Tutti i marchi riportati appartengono ai legittimi proprietari; marchi di terzi, nomi di prodotti, nomi commerciali, nomi corporativi e società citati possono essere di proprietà dei rispettivi titolari o registrati da altre società e sono stati utilizzati a puro scopo esplicativo e a beneficio del possessore, senza alcun fine di violazione dei diritti di Copyright vigenti.

ACR-ACB SERIES

INTERCHANGE > SAE J639



TECHNICAL FEATURES AND OPTIONS

 Interchange SAE J639	 Sealing description HNBR	 Connection system Push - screw
 Available sizes 1/4"	 Material Aluminium, Brass	 Available threads SAE - METRIC
 Operating pressure Up to 41 bar	 Locking mechanism Locking ball + screw to connect	 Temperature (°C) -30°C / +130°C
 Valving style Poppet		

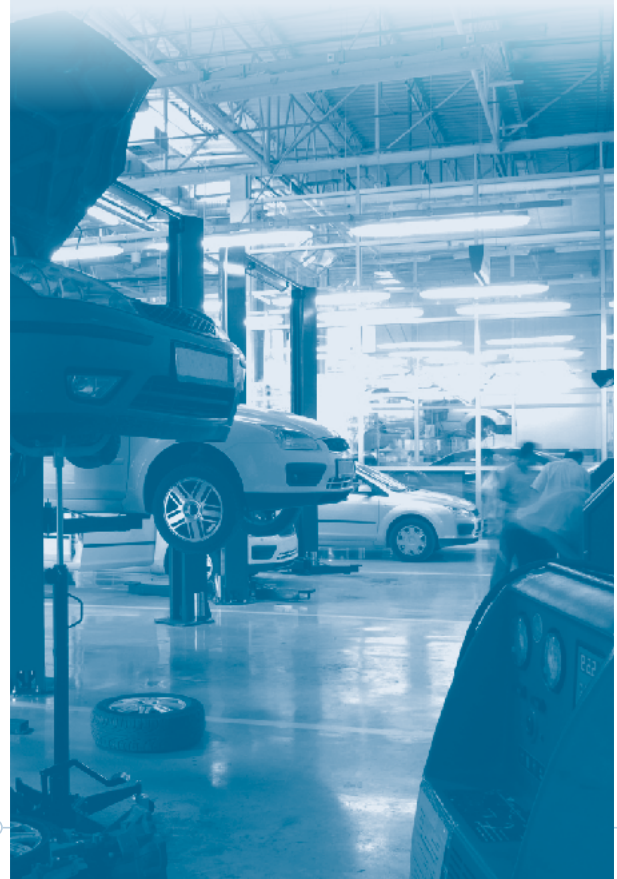
BENEFITS

- New design (bigger knob, better grip, anodized body)
- Compact size
- High quality
- The new range of Stucchi meet all the requirements of the market: R134A, HFO1234YF, upon request conforming VDA
- With sealed bushing to avoid gas spillage in disconnected position
- Special design of the sleeve to avoid accidental disconnections

HOW TO USE

- Before connection, clean the mating surface of the couplings to avoid dirt inclusion in the circuit.
- To connect turn the knob anticlockwise, then pull back the sleeve of the female coupling, align the female with the male coupling and push one into the other until both halves are fully connected and release the sleeve.
- Refill the cooling system used in A/C system of the car by opening the internal valve turning the knob clockwise.
- To disconnect turn the knob anticlockwise (closing the internal valve), pull back the sleeve of the female coupling and pull out the mating half.

MAIN APPLICATIONS



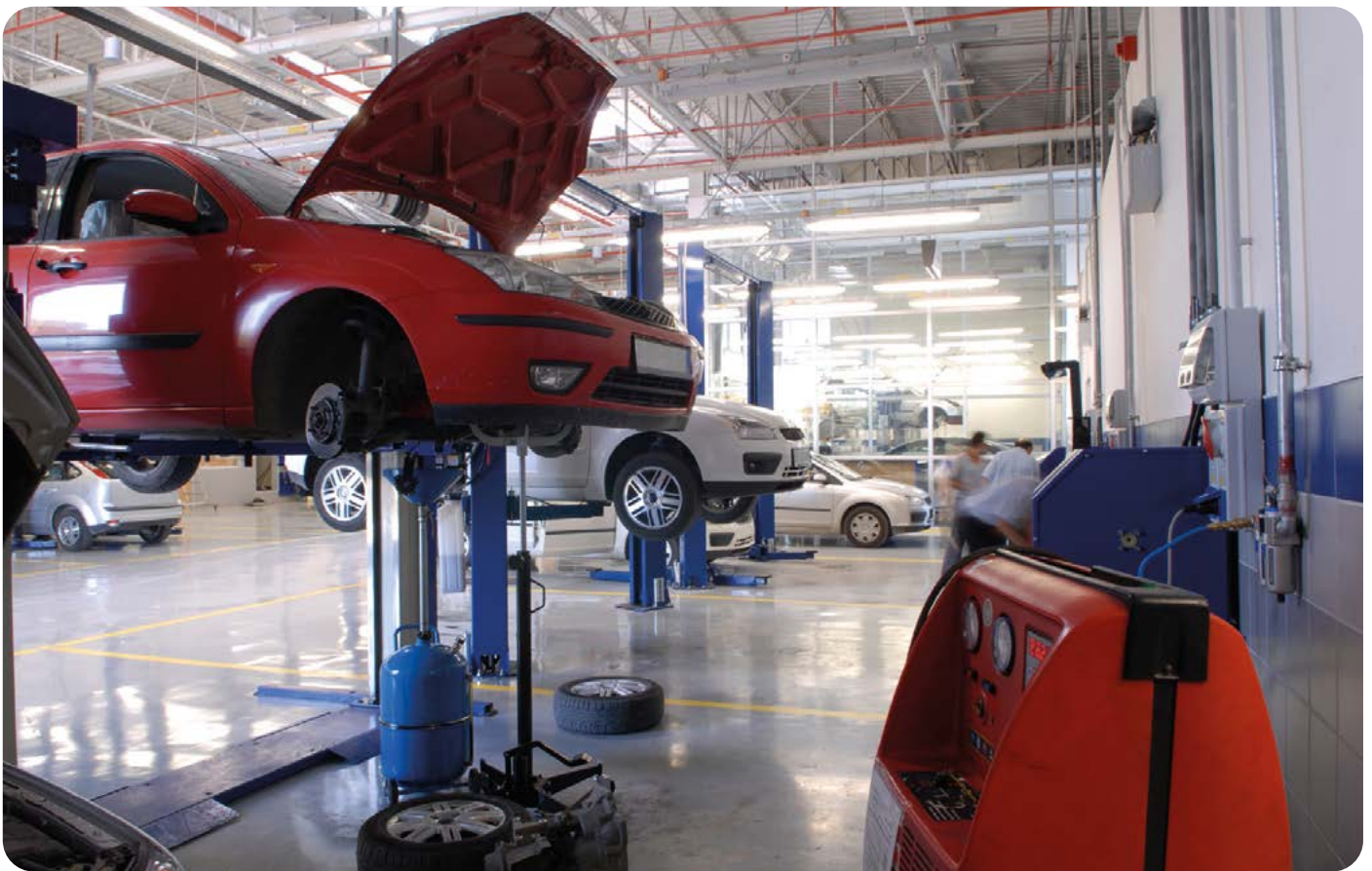
VEHICLE A/C

PERFORMANCES

Size	Series/Size	Max. operating pressure		Burst pressure	
		MPa	psi	MPa	psi
1/4	F ACR/ACB	4.14	600	8,28	1200

- ACR = HIGH PRESSURE version (red color)
- ACB = LOW PRESSURE version (blue color)

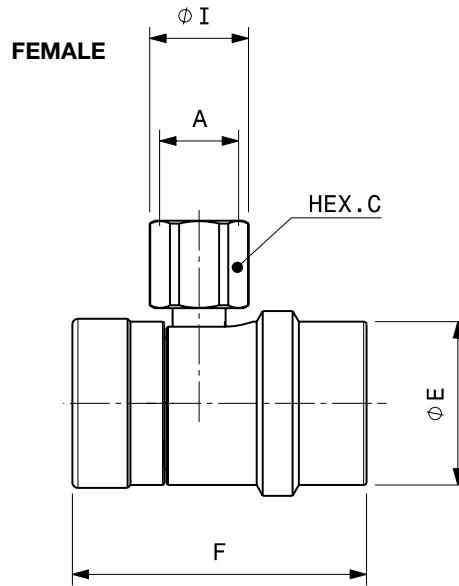
- Standard seal in HNBR



! WARNING

A defect, a wrong choice or an improper use of products, can cause injury to persons, animals and objects. Make sure that the medium used is compatible with seal and material as indicated for each series. In case of doubt please contact Stucchi Technical Support. The interchangeability is mentioned under the assumption that the manufacturer of the considered products has not changed any dimension. **It is mandatory to carefully read and closely follow the instructions before selecting or using any Stucchi products.** Always refer to the version uploaded in the Instructions and warning section of stucchigroup.com website for the latest release. For specific, product-related, instructions, please contact Stucchi technical service.

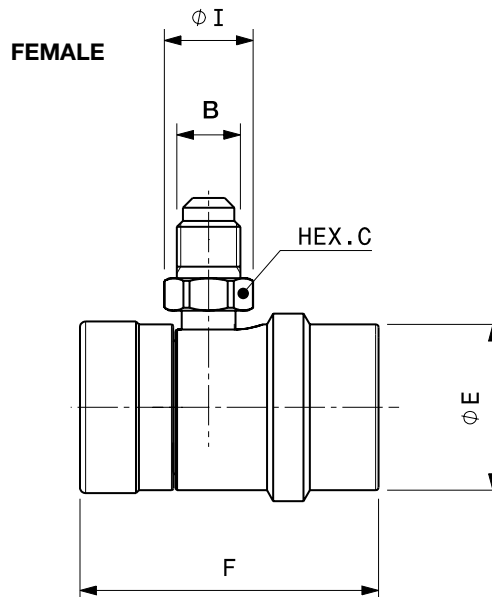
OVERALL DIMENSIONS



Port description: SAE J2197

Model for refrigerant R134A - port M14X1,5

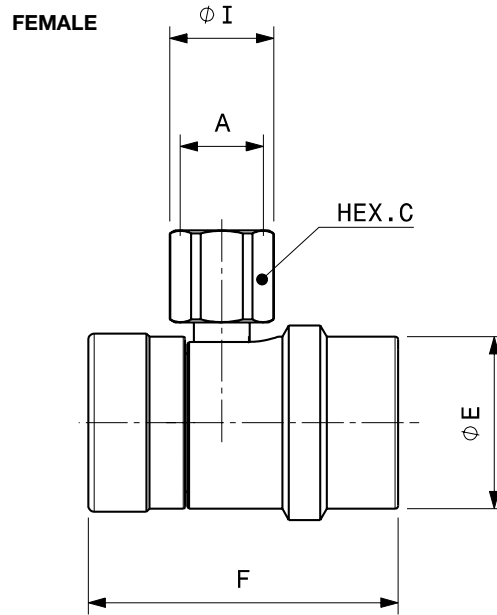
Descriptive Code	Item Code	PORT (A)	Overall Length		Wrench Flat		Diameter		Diameter		Weight	
			mm	in	mm	in	mm	in	mm	in	kg	lb
F ACR M14X1.5 90 J639 R134A	Female Red 800262360	A M14X1.5	F 52,2	2,06	C 16,0	0,63	E 29,0	1,14	I 17,5	0,69	0,16	0,35
F ACB M14X1.5 90 J639 R134A	Female Blue 800262362											



Port description: SAE J2197

Model for refrigerant R134A - port 1/4 SAE45

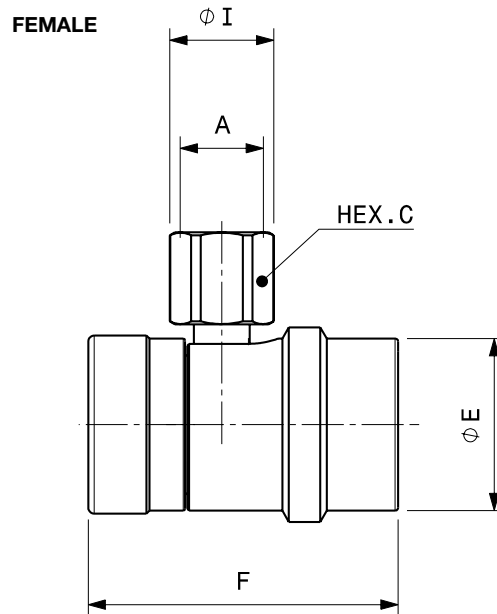
Descriptive Code	Item Code	PORT (A)	Overall Length		Wrench Flat		Diameter		Diameter		Weight	
			mm	in	mm	in	mm	in	mm	in	kg	lb
F ACR 1/4 SAE45 90 J639 R134A	Female Red 800255324	B 1/4 SAE45	F 52,2	2,06	C 14,0	0,55	E 29,0	1,14	I 15,5	0,61	0,16	0,35
F ACB 1/4 SAE45 90 J639 R134A	Female Blue 800255326											



Port description: SAE J2888

Model for refrigerant HF01234YF, upon request conforming VDA

Descriptive Code	Item Code	PORT (A)	Overall Length		Hex		Diameter		Diameter		Weight				
			mm	in	mm	in	mm	in	mm	in	kg	lb			
F ACR M12 VDA R1234YF	Female Red 800262368	M12 x 1,5	60,8	2,39	C	16,0	0,63	E	29,0	1,14	I	17,5	0,69	0,19	0,42
F ACB M12 VDA R1234YF	Female Blue 800262370	M12 x 1,5	59,8	2,35	C	16,0	0,63	E	29,0	1,14	I	17,5	0,69	0,19	0,42



Port description: SAE J2888

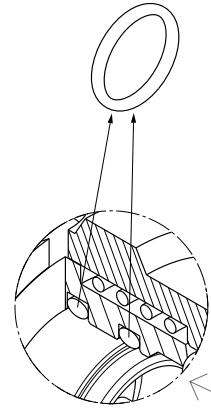
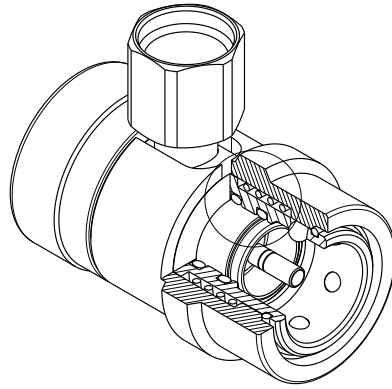
Model for refrigerant HF01234YF - NOT CONFORMING VDA

Descriptive Code	Item Code	PORT (A)	Overall Length		Hex		Diameter		Diameter		Weight				
			mm	in	mm	in	mm	in	mm	in	kg	lb			
F ACR M12 90 J639 R1234YF	Female Red 800262364	M12 x 1,5	55,4	2,18	C	16,0	0,63	E	29,0	1,14	I	17,5	0,69	0,19	0,42
F ACB M12 90 J639 R1234YF	Female Blue 800262366	M12 x 1,5	53,9	2,12	C	16,0	0,63	E	29,0	1,14	I	17,5	0,69	0,17	0,37



SPARE KIT SEAL FOR FEMALE

Repair kit / OR	
Description	Part Number
SPARE KIT EXTERNAL OR ACR R134A-R1234YF	815701100
SPARE KIT EXTERNAL OR ACB R134A	815701101
SPARE KIT EXTERNAL OR ACB R1234YF	815701102



Push the bushing
to replace the O-Ring

LubeTeam Hydraulic S.r.l.

Administration and Headquarter:

Via Tufara Scautieri, 6

83018 - San Martino Valle Caudina (AV)

Office and Warehouse:

S.S. 7 Appia, Km. 237,00

82011 - Airola BN

ITALY

Tel. +39 0823 950 994

Fax +39 0823 412 546

www.lubeteam.it info@lubeteam.it

Italian VAT / C.F. e P.IVA: 01251720627

Follow us



This document is the property of LubeTeam Hydraulic S.r.l. All data reported here are for the exclusive use of the Receiver. Reproduction is not authorized without writing permission, in all or in part of the content of this document, in accordance to Law 633 art. 171, dated April 22, 1941.

Il presente documento è di proprietà della LubeTeam Hydraulic S.r.l. I dati riportati sono per esclusivo del destinatario. La riproduzione, di tutto o in parte, non è autorizzata senza permesso scritto secondo l'art. 171 della L. 633 del 22 Aprile 1941.