

INTERTRACO  
Raccordi Monopezzo  
Serie H

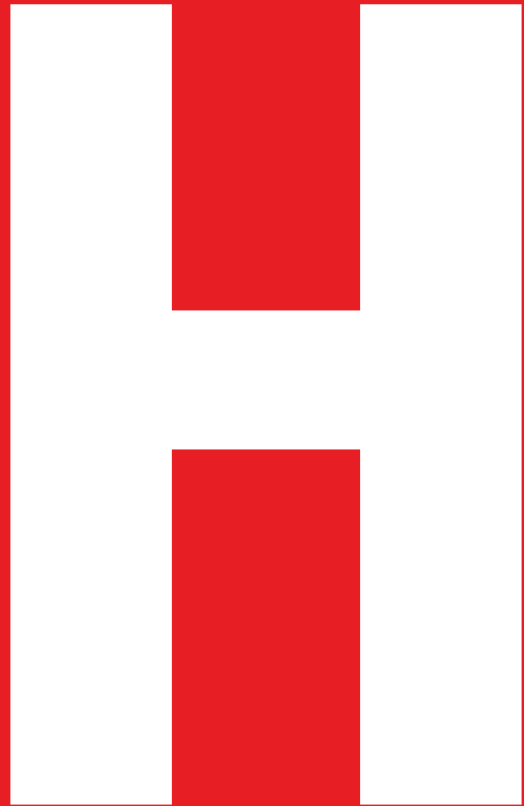


 HYDRAULIC  
COMPONENTS  
& FLUID CONTAMINATION  
CONTROL



All trademarks belong to their respective owners; third party trademarks, product names, trade names, corporate names and company names mentioned may be trademarks of their respective owners or registered trademarks of other companies and are used for instructional purposes and for the benefit of the owner, without any end of Copyright infringement in force.

Tutti i marchi riportati appartengono ai legittimi proprietari; marchi di terzi, nomi di prodotti, nomi commerciali, nomi corporativi e società citati possono essere di proprietà dei rispettivi titolari o registrati da altre società e sono stati utilizzati a puro scopo esplicativo e a beneficio del possessore, senza alcun fine di violazione dei diritti di Copyright vigenti.



**SERIES**

---

**For 6 spiral hoses  
No skive**



product	standard	code	description	page
Fitting	NPTF	MN10H	NPTF male (60° cone seat)	199
		MNA10H	NPTF male (60° cone seat) - long nose "API" style version	200
	JIC	MJ10H	JIC 37° male	201
		FJ12H	JIC 37° female swivel	202
		FJ42H	JIC 37° female swivel - 45° elbow	203
		FJ92H	JIC 37° female swivel - 90° elbow	204
	ORFS	OR12H	ORFS female swivel	205
		OR42H	ORFS female swivel - 45° elbow	206
		OR92H	ORFS female swivel - 90° elbow	207
	JIS	AK10H	Japanese "KOM" style termination straight flange (for metric O-Ring)	208
		AK40H	Japanese "KOM" style termination - 45° elbow flange (for metric O-Ring)	209
		AK90H	Japanese "KOM" style termination - 90° elbow flange (for metric O-Ring)	210
	BSP BSPT	MT10H	BSPT tapered male 60° cone	211
		MB10H	BSP male 60° cone	212
		FB12H	BSP female swivel 60° cone	213
		FB42H	BSP female swivel 60° cone - 45° elbow	214
		FB92H	BSP female swivel 60° cone - 90° elbow	215
	METRIC	MS10H	Metric heavy male (24° cone seat)	216
		FS13H	Metric heavy female swivel (24° cone seat)	217
		FS43H	Metric heavy female swivel 45° elbow (24° cone seat)	218
		FS93H	Metric heavy female swivel 90° elbow (24° cone seat)	219
	SAE 3000 CODE 61	AX10H	SAE 3000 code 61 straight flange	220
		AX40H	SAE 3000 code 61 - 45° elbow flange	221
		AX90H	SAE 3000 code 61 - 90° elbow flange	222
	SAE 6000 CODE 62	AY10H	SAE 6000 code 62 straight flange	223
		AY10HLZ-L	SAE 6000 code 62 straight flange (long drop)	223
		AY30H	SAE 6000 code 62 - 30° elbow flange	224
		AY40H	SAE 6000 code 62 - 45° elbow flange	225
		AY40HLZ	SAE 6000 code 62 - 45° elbow flange	225
		AY60H	SAE 6000 code 62 - 60° elbow flange	226
		AY90H	SAE 6000 code 62 - 90° elbow flange	227
		AY90HLZ	SAE 6000 code 62 - 90° elbow flange	227
AY90H-L		SAE 6000 code 62 - 90° elbow flange (long drop)	228	
AY90HLZ-L		SAE 6000 code 62 - 90° elbow flange (long drop)	228	

product	standard	code	description	page
Fitting	TAPERED SAE FLANGE	AL13H	Tapered SAE straight flange	229
		AL13HLZ	Tapered SAE straight flange - heavy duty head	229
		AL43H	Tapered SAE - 45° elbow flange	230
		AL43HLZ	Tapered SAE - 45° elbow flange - heavy duty head	230
		AL93H	Tapered SAE - 90° elbow flange	231
		AL93HLZ	Tapered SAE - 90° elbow flange - heavy duty head	231
	"SUPERCAT" STYLE H. P. FLANGE	AY1CH	"SUPERCAT" style straight flange	232
		AY2CH	"SUPERCAT" style - 22,5° elbow flange	233
		AY3CH	"SUPERCAT" style - 30° elbow flange	234
		AY4CH	"SUPERCAT" style - 45° elbow flange	235
		AY6CH	"SUPERCAT" style - 60° elbow flange	236
		AY9CH	"SUPERCAT" style - 90° elbow flange	237
	STAPLE LOCK	ST11H	Staple lock male	238
	H. P. STAPLE L.	SS11H	High pressure staple lock male	239
	LOK-IT	HVM11H	High pressure Lok-IT male	240
		HVM11HLZ	High pressure Lok-IT male - heavy duty fitting	240
		HVF10H	High pressure Lok-IT female	241
		HVF10HLZ	High pressure Lok-IT female - heavy duty fitting	241

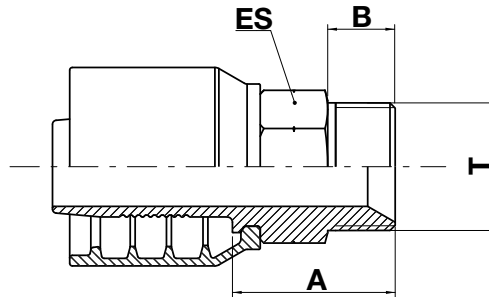
For 6 spiral hoses

# MN10H

**NPTF male (60° cone seat)**

**NO SKIVE**

SAE J514



**H**

**FITTING**

**NPTF**

JIC

ORFS

JIS

BSP-BSPT

METRIC

SAE 3000 CODE 61

SAE 6000 CODE 62

TAPERED SAE

SUPERCAT STYLE

STAPLE LOCK

H.P. STAPLE LOCK

LOK-IT

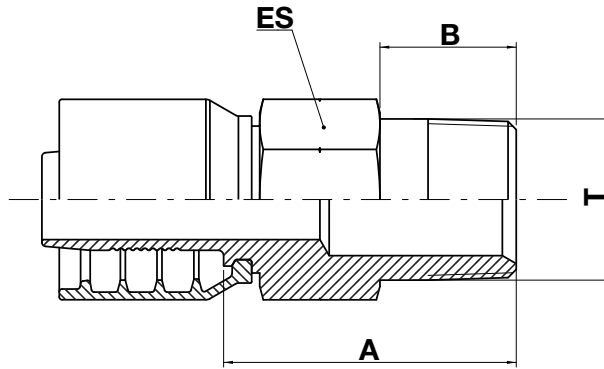
code	ø hose			T	A		B		ES		
	dn	inch	size		mm	in	mm	in	mm	in	↻ in
MN10H-20-20	31	1.1/4"	20	1.1/4"-11.1/2"	63,0	2,48	24,5	0,96	46,0	1,811	1.13/16"
MN10H-24-24	38	1.1/2"	24	1.1/4"-11.1/2"	61,5	2,42	25,5	1,00	50,0	1,969	2"
MN10H-32-32	51	2"	32	2"-11.1/2"	79,5	3,13	26,0	1,02	65,0	2,559	2.9/16"

For 6 spiral hoses

# MNA10H

NPTF male (60° cone seat) - long nose "API" style version


NO SKIVE



## FITTING

### NPTF

JIC  
ORFS  
JIS  
BSP-BSPT  
METRIC  
SAE 3000 CODE 61  
SAE 6000 CODE 62  
TAPERED SAE  
SUPERCAT STYLE  
STAPLE LOCK  
H.P. STAPLE LOCK  
LOK-IT

code	ø hose			T	A		B		ES		
	dn	inch	size		mm	in	mm	in	mm	in	 in
MNA10H-24-32	38	1.1/2"	24	2"-11.1/2	109,5	4,31	51,0	2,01	65,0	2,559	2.9/16"
MNA10H-32-32	51	2"	32	2"-11.1/2	111,5	4,39	51,0	2,01	65,0	2,559	2.9/16"



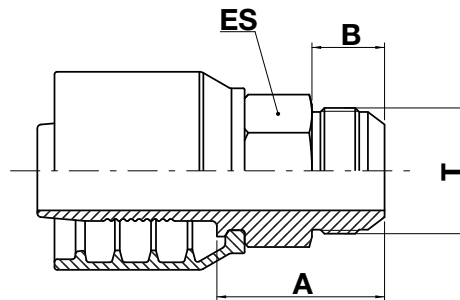
For 6 spiral hoses

# MJ10H

JIC 37° male

NO SKIVE

ISO 8434-2 / SAE J514



H

- .....
- FITTING**
- NPTF
  - JIC**
  - ORFS
  - JIS
  - BSP-BSPT
  - METRIC
  - SAE 3000 CODE 61
  - SAE 6000 CODE 62
  - TAPERED SAE
  - SUPERCAT STYLE
  - STAPLE LOCK
  - H.P. STAPLE LOCK
  - LOK-IT

code	ø hose			T	A		B		ES		
	dn	inch	size		mm	in	mm	in	mm	in	in
MJ10H-20-20	31	1.1/4"	20	1.5/8"-12	62,5	2,46	24,3	0,96	46,0	1,811	1.13/16"
MJ10H-24-24	38	1.1/2"	24	1.7/8"-12	63,5	2,50	27,5	1,08	50,0	1,969	2"
MJ10H-32-32	51	2"	32	2.1/2"-12	87,6	3,45	33,9	1,33	65,0	2,559	2.9/16"

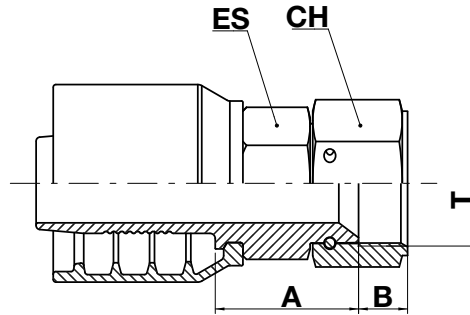
For 6 spiral hoses

# FJ12H

JIC 37° female swivel

NO SKIVE

ISO 8434-2 / SAE J514



**FITTING**

NPTF

**JIC**

ORFS

JIS

BSP-BSPT

METRIC

SAE 3000 CODE 61

SAE 6000 CODE 62

TAPERED SAE

SUPERCAT STYLE

STAPLE LOCK

H.P. STAPLE LOCK

LOK-IT

code	ø hose			T	A		B		ES			CH		
	dn	inch	size		mm	in	mm	in	mm	in	↗ in	mm	in	↗ in
FJ12H-20-20	31	1.1/4"	20	1.5/8"-12	51,5	2,03	16,0	0,63	41,0	1,614	1.5/8"	50,0	1,969	2"
FJ12H-20-24	31	1.1/4"	20	1.7/8"-12	56,5	2,22	18,5	0,73	50,0	1,969	2"	55,0	2,165	2.3/16"
FJ12H-24-24	38	1.1/2"	24	1.7/8"-12	54,4	2,14	18,5	0,73	50,0	1,969	2"	55,0	2,165	2.3/16"
FJ12H-32-32	51	2"	32	2.1/2"-12	74,0	2,91	24,0	0,94	65,0	2,559	2.9/16"	75,0	2,953	-

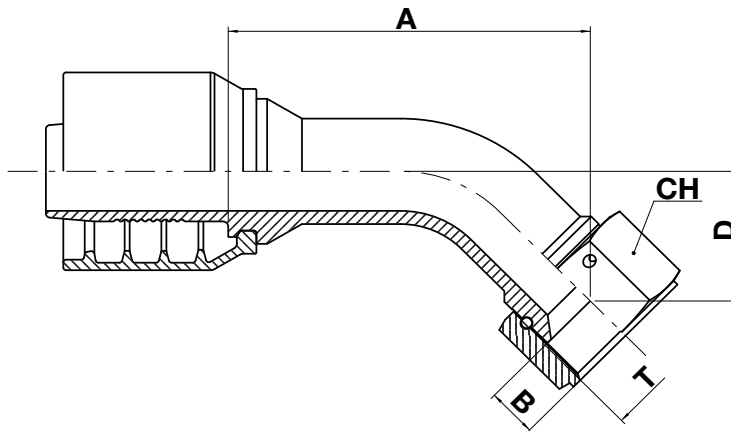
For 6 spiral hoses

# FJ42H

JIC 37° female swivel - 45° elbow


NO SKIVE

ISO 8434-2 / SAE J514



H

- FITTING**
- NPTF
  - JIC**
  - ORFS
  - JIS
  - BSP-BSPT
  - METRIC
  - SAE 3000 CODE 61
  - SAE 6000 CODE 62
  - TAPERED SAE
  - SUPERCAT STYLE
  - STAPLE LOCK
  - H.P. STAPLE LOCK
  - LOK-IT

code	ø hose			T	A		B		D		CH		
	dn	inch	size		mm	in	mm	in	mm	in	mm	in	 in
FJ42H-20-20	31	1.1/4"	20	1.5/8"-12	99,0	3,90	15,9	0,62	37,5	1,48	50,0	1,969	2"
FJ42H-24-24	38	1.1/2"	24	1.7/8"-12	135,0	5,31	18,6	0,73	49,2	1,94	55,0	2,165	2.3/16"
FJ42H-32-32	51	2"	32	2.1/2"-12	167,6	6,60	24,0	0,94	68,8	2,71	75,0	2,953	-

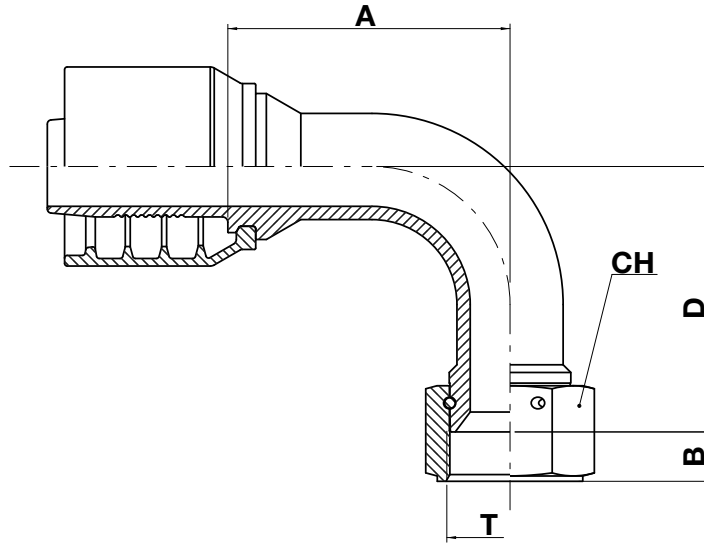
For 6 spiral hoses

# FJ92H

JIC 37° female swivel - 90° elbow

NO SKIVE

ISO 8434-2 / SAE J514



**FITTING**

- NPTF
- JIC**
- ORFS
- JIS
- BSP-BSPT
- METRIC
- SAE 3000 CODE 61
- SAE 6000 CODE 62
- TAPERED SAE
- SUPERCAT STYLE
- STAPLE LOCK
- H.P. STAPLE LOCK
- LOK-IT

code	ø hose			T	A		B		D		CH		
	dn	inch	size		mm	in	mm	in	mm	in	mm	in	↗ in
FJ92H-20-20	31	1.1/4"	20	1.5/8"-12	87,5	3,44	16,0	0,63	77,0	3,03	50,0	1,969	2"
FJ92H-24-24	38	1.1/2"	24	1.7/8"-12	107,0	4,21	18,5	0,73	100,0	3,94	55,0	2,165	2.3/16"
FJ92H-32-32	51	2"	32	2.1/2"-12	154,0	6,06	24,0	0,94	140,0	5,51	75,0	2,953	-

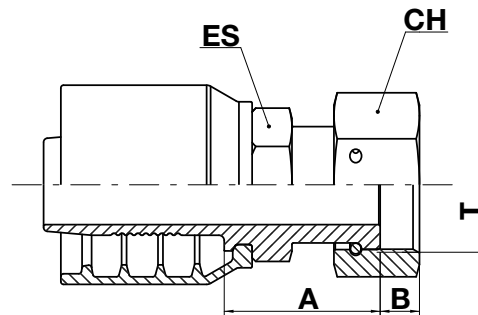
For 6 spiral hoses

# OR12H

ORFS female swivel

NO SKIVE

ISO 8434-3 / SAE J1453



H

**FITTING**

- NPTF
- JIC
- ORFS**
- JIS
- BSP-BSPT
- METRIC
- SAE 3000 CODE 61
- SAE 6000 CODE 62
- TAPERED SAE
- SUPERCAT STYLE
- STAPLE LOCK
- H.P. STAPLE LOCK
- LOK-IT

code	ø hose			T	A		B		ES			CH		
	dn	inch	size		mm	in	mm	in	mm	in	↗ in	mm	in	↗ in
OR12H-20-20	31	1.1/4"	20	1.11/16"-12	56,0	2,20	14,8	0,58	41,0	1,614	1.5/8"	50,0	1,969	2"
OR12H-24-24	38	1.1/2"	24	2"-12	60,0	2,36	14,8	0,58	50,0	1,969	2"	60,0	2,362	2.3/8"

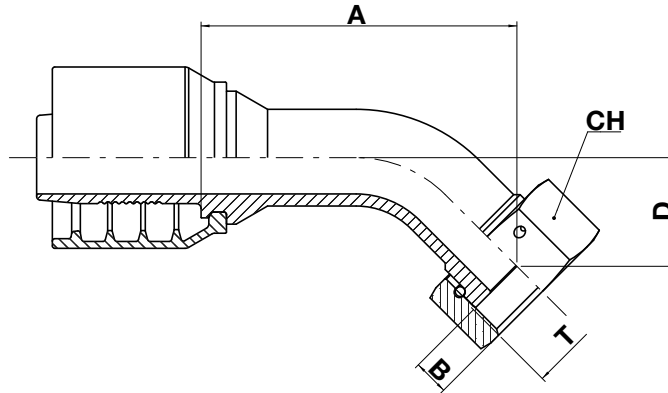
For 6 spiral hoses

# OR42H

ORFS female swivel - 45° elbow

NO SKIVE

ISO 8434-3 / SAE J1453



## FITTING

NPTF

JIC

**ORFS**

JIS

BSP-BSPT

METRIC

SAE 3000 CODE 61

SAE 6000 CODE 62

TAPERED SAE

SUPERCAT STYLE

STAPLE LOCK

H.P. STAPLE LOCK

LOK-IT

code	ø hose			T	A		B		D		CH		
	dn	inch	size		mm	in	mm	in	mm	in	mm	in	↻ in
OR42H-20-20	31	1.1/4"	20	1.11/16"-12	97,0	3,82	14,8	0,58	37,0	1,45	50,0	1,969	2"
OR42H-24-24	38	1.1/2"	24	2"-12	120,5	4,74	14,8	0,58	44,0	1,73	60,0	2,362	2.3/8"

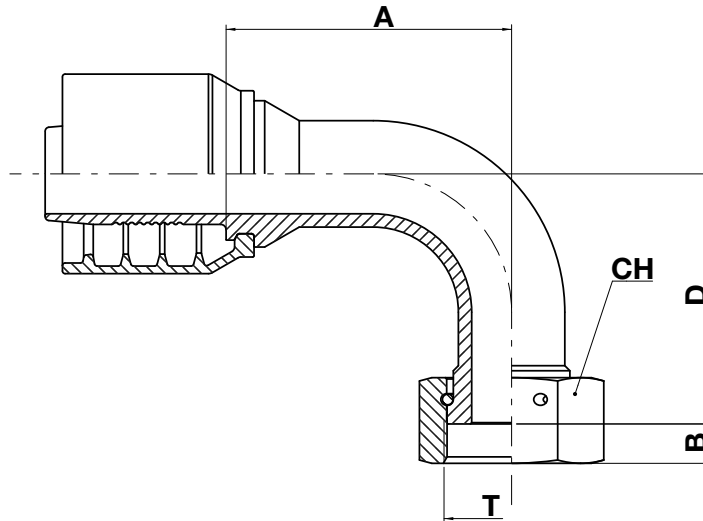
For 6 spiral hoses

# OR92H

ORFS female swivel - 90° elbow

NO SKIVE

ISO 8434-3 / SAE J1453



H

- FITTING**
- NPTF
  - JIC
  - ORFS**
  - JIS
  - BSP-BSPT
  - METRIC
  - SAE 3000 CODE 61
  - SAE 6000 CODE 62
  - TAPERED SAE
  - SUPERCAT STYLE
  - STAPLE LOCK
  - H.P. STAPLE LOCK
  - LOK-IT

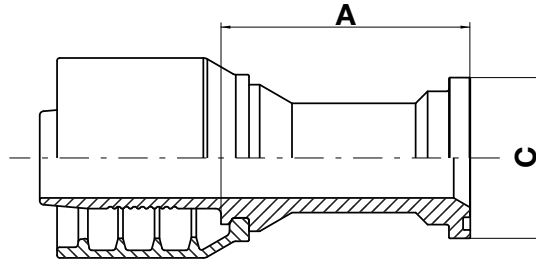
code	ø hose			T	A		B		D		CH		
	dn	inch	size		mm	in	mm	in	mm	in	mm	in	↗ in
OR92H-20-20	31	1.1/4"	20	1.11/16"-12	82,0	3,22	14,8	0,58	66,0	2,60	50,0	1,969	2"
OR92H-24-24	38	1.1/2"	24	2"-12	105,0	4,13	14,8	0,58	94,0	3,70	60,0	2,362	2.3/8"

For 6 spiral hoses

# AK10H

Japanese "KOM" style termination straight flange (for metric O-Ring)

NO SKIVE



## FITTING

NPTF

JIC

ORFS

**JIS**

BSP-BSPT

METRIC

SAE 3000 CODE 61

SAE 6000 CODE 62

TAPERED SAE

SUPERCAT STYLE

STAPLE LOCK

H.P. STAPLE LOCK

LOK-IT

code	ø hose			flange	A		C	
	dn	inch	size		mm	in	mm	in
AK10H-20-20	31	1.1/4"	20	1.1/4"	83,0	3,27	50,8	2,00
AK10H-24-24	38	1.1/2"	24	1.1/2"	93,5	3,68	60,3	2,37
AK10H-32-32	51	2"	32	2"	128,7	5,07	71,4	2,81

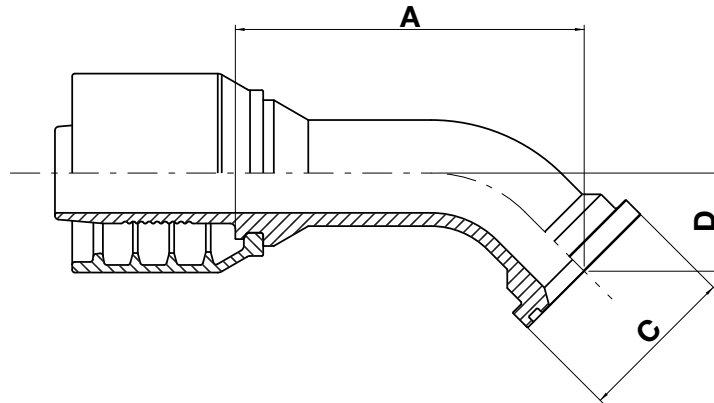


For 6 spiral hoses

# AK40H

Japanese "KOM" style termination - 45° elbow flange (for metric O-Ring)

NO SKIVE



H

- FITTING**
- NPTF
  - JIC
  - ORFS
  - JIS**
  - BSP-BSPT
  - METRIC
  - SAE 3000 CODE 61
  - SAE 6000 CODE 62
  - TAPERED SAE
  - SUPERCAT STYLE
  - STAPLE LOCK
  - H.P. STAPLE LOCK
  - LOK-IT

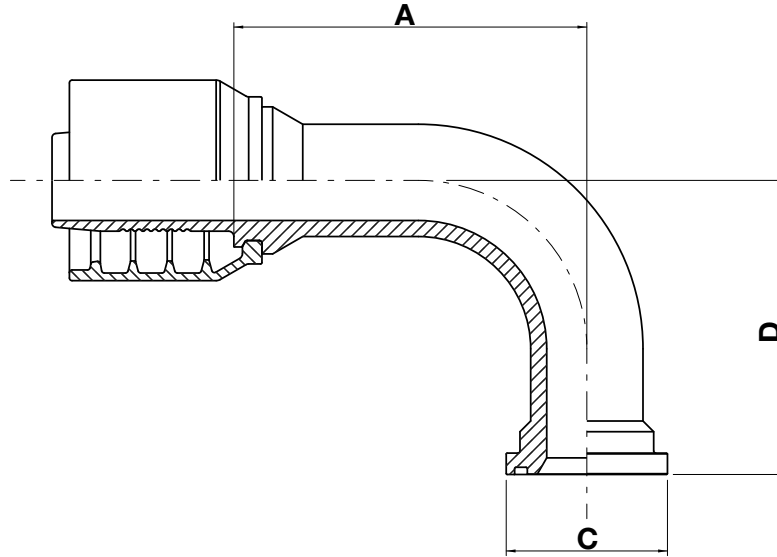
code	ø hose			flange	A		C		D	
	dn	inch	size		mm	in	mm	in	mm	in
AK40H-20-20	31	1.1/4"	20	1.1/4"	89,0	3,50	50,8	2,00	31,0	1,22
AK40H-24-24	38	1.1/2"	24	1.1/2"	131,5	5,18	60,3	2,37	37,0	1,46
AK40H-32-32	51	2"	32	2"	188,2	7,41	71,4	2,81	52,5	2,07

For 6 spiral hoses

# AK90H

Japanese "KOM" style termination - 90° elbow flange (for metric O-Ring)

NO SKIVE



## FITTING

NPTF

JIC

ORFS

**JIS**

BSP-BSPT

METRIC

SAE 3000 CODE 61

SAE 6000 CODE 62

TAPERED SAE

SUPERCAT STYLE

STAPLE LOCK

H.P. STAPLE LOCK

LOK-IT

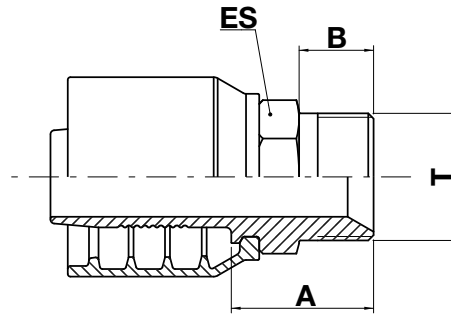
code	ø hose			flange	A		C		D	
	dn	inch	size		mm	in	mm	in	mm	in
AK90H-20-20	31	1.1/4"	20	1.1/4"	102,9	4,05	50,8	2,00	80,0	3,15
AK90H-24-24	38	1.1/2"	24	1.1/2"	132,0	5,20	60,3	2,37	110,0	4,33
AK90H-32-32	51	2"	32	2"	164,7	6,48	71,4	2,81	140,0	5,51

For 6 spiral hoses

# MT10H

BSPT tapered male 60° cone

NO SKIVE



H

**FITTING**

NPTF  
JIC  
ORFS  
JIS

**BSP-BSPT**

METRIC  
SAE 3000 CODE 61  
SAE 6000 CODE 62  
TAPERED SAE  
SUPERCAT STYLE  
STAPLE LOCK  
H.P. STAPLE LOCK  
LOK-IT

code	ø hose			T	A		B		ES		
	dn	inch	size		mm	in	mm	in	mm	in	↻ in
MT10H-20-20	31	1.1/4"	20	1.1/4"-11	53,0	2,09	25,0	0,98	46,0	1,811	1.13/16"
MT10H-24-24	38	1.1/2"	24	1.1/2"-11	53,5	2,11	28,0	1,10	50,0	1,969	2"
MT10H-32-32	51	2"	32	2"-11	63,5	2,50	28,0	1,10	65,0	2,559	2.9/16"

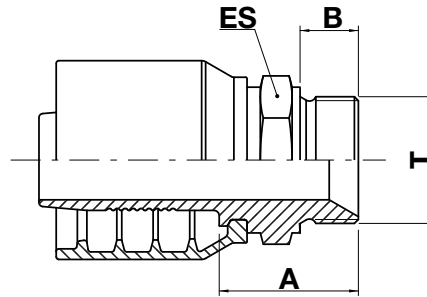
For 6 spiral hoses

# MB10H

BSP male 60° cone

NO SKIVE

ISO 8434-6 / BS 5200



## FITTING

NPTF

JIC

ORFS

JIS

**BSP-BSPT**

METRIC

SAE 3000 CODE 61

SAE 6000 CODE 62

TAPERED SAE

SUPERCAT STYLE

STAPLE LOCK

H.P. STAPLE LOCK

LOK-IT

code	ø hose			T	A		B		ES		
	dn	inch	size		mm	in	mm	in	mm	in	in
MB10H-20-20	31	1.1/4"	20	1.1/4"-11	50,5	1,99	20,0	0,79	50,0	1,969	2"
MB10H-24-24	38	1.1/2"	24	1.1/2"-11	52,5	2,07	22,0	0,87	55,0	2,165	2.3/16"
MB10H-32-32	51	2"	32	2"-11	67,2	2,65	25,0	0,98	70,0	2,756	2.3/4"

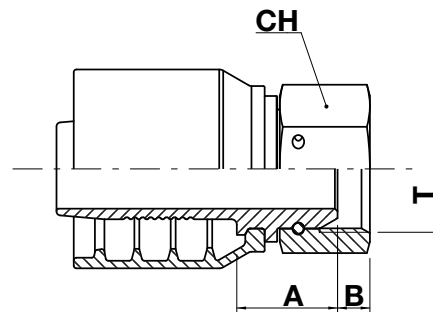
For 6 spiral hoses

# FB12H

BSP female swivel 60° cone

NO SKIVE

ISO 8434-6 / BS 5200



H

**FITTING**

NPTF

JIC

ORFS

JIS

**BSP-BSPT**

METRIC

SAE 3000 CODE 61

SAE 6000 CODE 62

TAPERED SAE

SUPERCAT STYLE

STAPLE LOCK

H.P. STAPLE LOCK

LOK-IT

code	ø hose			T	A		B		CH		
	dn	inch	size		mm	in	mm	in	mm	in	 in
FB12H-20-20	31	1.1/4"	20	1.1/4"-11	36,8	1,45	10,0	0,39	50,0	1,969	2"
FB12H-24-24	38	1.1/2"	24	1.1/2"-11	38,0	1,50	12,0	0,47	55,0	2,165	2.3/16"
FB12H-32-32	51	2"	32	2"-11	43,6	1,72	16,0	0,63	70,0	2,756	2.3/4"

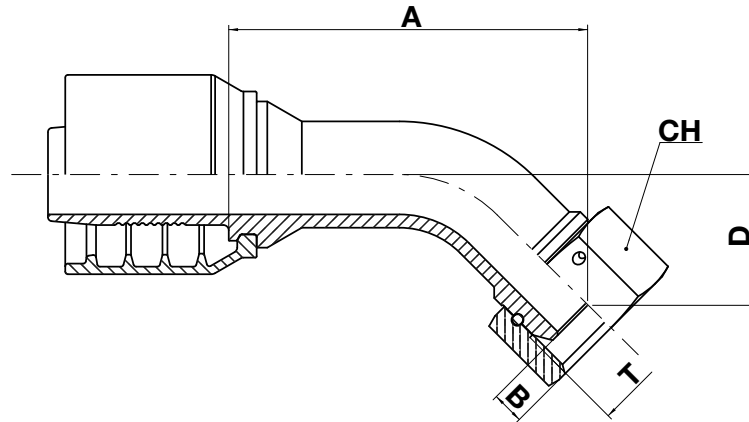
For 6 spiral hoses

# FB42H

BSP female swivel 60° cone - 45° elbow

NO SKIVE

ISO 8434-6 / BS 5200



**FITTING**

- NPTF
- JIC
- ORFS
- JIS
- BSP-BSPT**
- METRIC
- SAE 3000 CODE 61
- SAE 6000 CODE 62
- TAPERED SAE
- SUPERCAT STYLE
- STAPLE LOCK
- H.P. STAPLE LOCK
- LOK-IT

code	ø hose			T	A		B		D		CH		
	dn	inch	size		mm	in	mm	in	mm	in	mm	in	↗ in
FB42H-20-20	31	1.1/4"	20	1.1/4"-11	99,0	3,90	10,0	0,39	37,5	1,48	50,0	1,969	2"
FB42H-24-24	38	1.1/2"	24	1.1/2"-11	135,0	5,31	12,0	0,47	49,2	1,94	55,0	2,165	2.3/16"
FB42H-32-32	51	2"	32	2"-11	163,5	6,44	16,0	0,63	60,0	2,36	70,0	2,756	2.3/4"

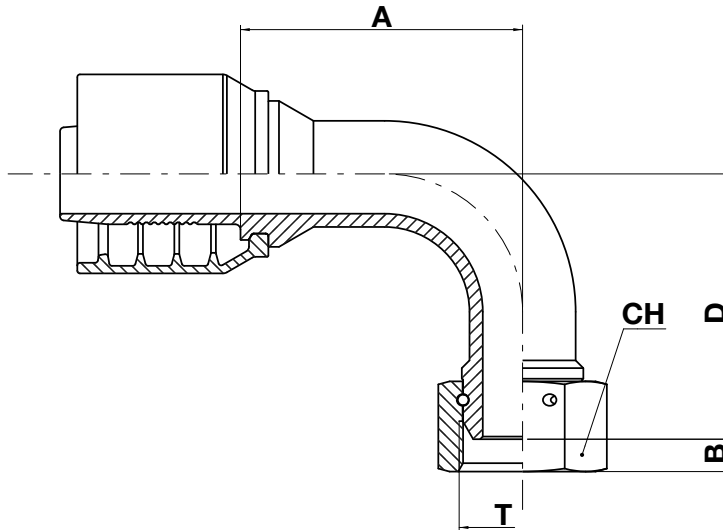
For 6 spiral hoses

# FB92H

**BSP female swivel 60° cone - 90° elbow**

**NO SKIVE**

ISO 8434-6 / BS 5200



H

**FITTING**

- NPTF
- JIC
- ORFS
- JIS
- BSP-BSPT**
- METRIC
- SAE 3000 CODE 61
- SAE 6000 CODE 62
- TAPERED SAE
- SUPERCAT STYLE
- STAPLE LOCK
- H.P. STAPLE LOCK
- LOK-IT

code	ø hose			T	A		B		D		CH		
	dn	inch	size		mm	in	mm	in	mm	in	mm	in	in
FB92H-20-20	31	1.1/4"	20	1.1/4"-11	87,5	3,44	10,0	0,39	83,0	3,27	50,0	1,969	2"
FB92H-24-24	38	1.1/2"	24	1.1/2"-11	106,3	4,19	12,0	0,47	100,0	3,94	55,0	2,165	2.3/16"
FB92H-32-32	51	2"	32	2"-11	149,3	5,88	16,0	0,63	128,0	5,04	70,0	2,756	2.3/4"

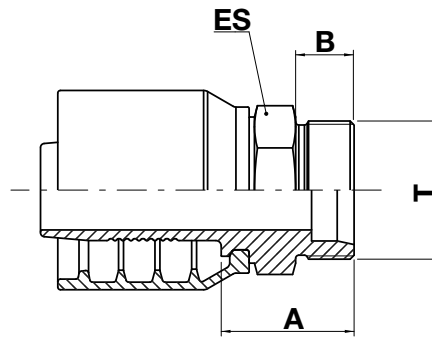
For 6 spiral hoses

# MS10H

Metric heavy male (24° cone seat)

NO SKIVE

ISO 8434-1 / DIN 3865



## FITTING

NPTF  
JIC  
ORFS  
JIS  
BSP-BSPT

## METRIC

SAE 3000 CODE 61  
SAE 6000 CODE 62  
TAPERED SAE  
SUPERCAT STYLE  
STAPLE LOCK  
H.P. STAPLE LOCK  
LOK-IT

code	ø hose			T	pipe	A		B		ES		
	dn	inch	size			mm	in	mm	in	mm	in	in
MS10H-20-52	31	1.1/4"	20	M52X2	S38	50,0	1,97	22,0	0,87	55,0	2,165	2.3/16"
MS10H-24-52	38	1.1/2"	24	M52X2	S38	50,0	1,97	22,0	0,87	55,0	2,165	2.3/16"



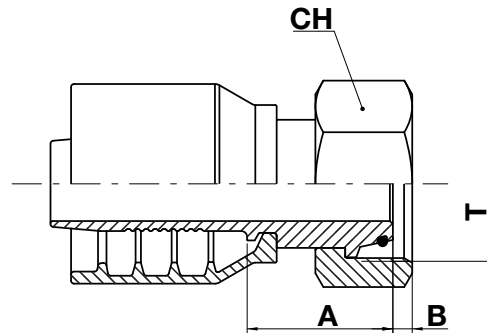
For 6 spiral hoses

# FS13H FS12H

**Metric heavy female swivel (24° cone seat)**

**NO SKIVE**

ISO 8434-1 / DIN 3865

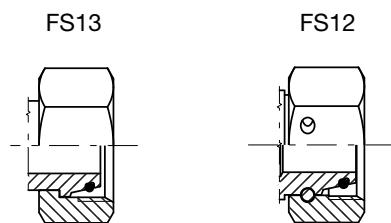


**FITTING**

- NPTF
- JIC
- ORFS
- JIS
- BSP-BSPT
- METRIC**
- SAE 3000 CODE 61
- SAE 6000 CODE 62
- TAPERED SAE
- SUPERCAT STYLE
- STAPLE LOCK
- H.P. STAPLE LOCK
- LOK-IT

code	ø hose			T	pipe	A		B		CH		
	dn	inch	size			mm	in	mm	in	mm	in	in
FS13H-20-52	31	1.1/4"	20	M52X2	S38	48,9	1,93	6,5	0,26	60,0	2,362	2.3/8"
FS12H-24-52	38	1.1/2"	24	M52X2	S38	43,0	1,69	6,5	0,26	60,0	2,362	2.3/8"

**Nut type**



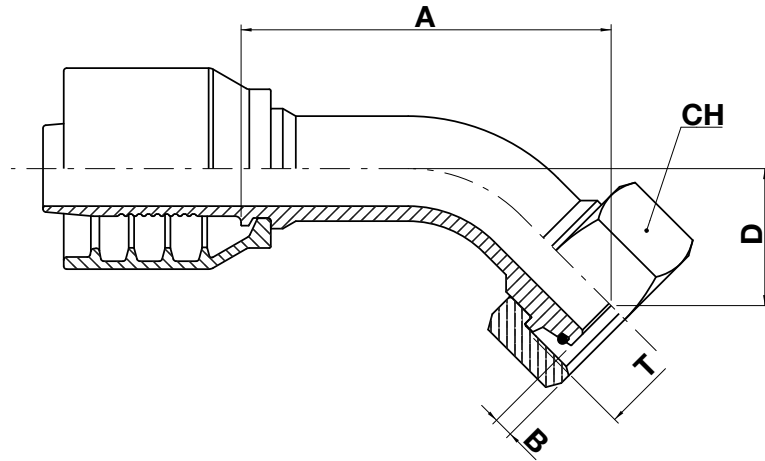
For 6 spiral hoses

# FS43H FS42H

**Metric heavy female swivel 45° elbow (24° cone seat)**

NO SKIVE

ISO 8434-1 / DIN 3865



**FITTING**

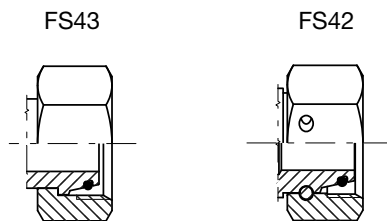
- NPTF
- JIC
- ORFS
- JIS
- BSP-BSPT

**METRIC**

- SAE 3000 CODE 61
- SAE 6000 CODE 62
- TAPERED SAE
- SUPERCAT STYLE
- STAPLE LOCK
- H.P. STAPLE LOCK
- LOK-IT

code	ø hose			T	pipe	A		B		D		CH		
	dn	inch	size			mm	in	mm	in	mm	in	mm	in	↻ in
FS43H-20-52	31	1.1/4"	20	M52X2	S38	123,3	4,85	6,5	0,26	45,6	1,80	60,0	2,362	2.3/8"
FS42H-24-52	38	1.1/2"	24	M52X2	S38	130,0	5,12	6,5	0,26	47,2	1,86	60,0	2,362	2.3/8"

**Nut type**



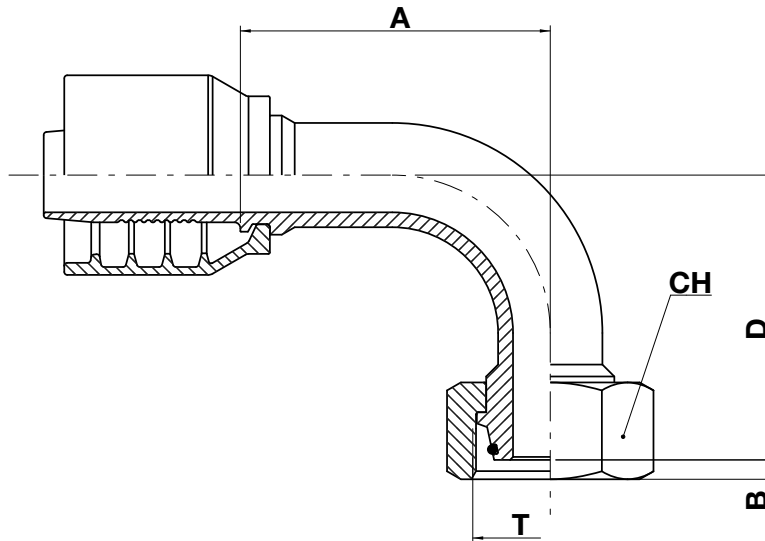
For 6 spiral hoses

# FS93H FS92H

**Metric heavy female swivel 90° elbow (24° cone seat)**

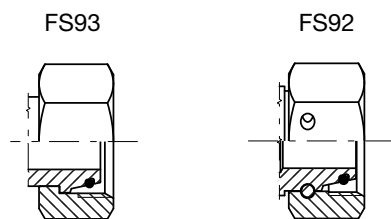
NO SKIVE

ISO 8434-1 / DIN 3865



code	ø hose			T	pipe	A		B		D		CH		
	dn	inch	size			mm	in	mm	in	mm	in	mm	in	↻ in
FS93H-20-52	31	1.1/4"	20	M52X2	S38	104,0	4,09	6,5	0,26	95,6	3,76	60,0	2,362	2.3/8"
FS92H-24-52	38	1.1/2"	24	M52X2	S38	115,0	4,53	6,5	0,26	102,0	4,02	60,0	2,362	2.3/8"

**Nut type**



H

**FITTING**

- NPTF
- JIC
- ORFS
- JIS
- BSP-BSPT
- METRIC**
- SAE 3000 CODE 61
- SAE 6000 CODE 62
- TAPERED SAE
- SUPERCAT STYLE
- STAPLE LOCK
- H.P. STAPLE LOCK
- LOK-IT

For 6 spiral hoses

# AX10H

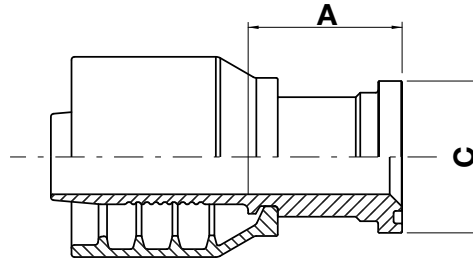
SAE 3000 code 61 straight flange

NO SKIVE

ISO 6162-1 / SAE J518-1

## FITTING

NPTF  
JIC  
ORFS  
JIS  
BSP-BSPT  
METRIC  
**SAE 3000 CODE 61**  
SAE 6000 CODE 62  
TAPERED SAE  
SUPERCAT STYLE  
STAPLE LOCK  
H.P. STAPLE LOCK  
LOK-IT



code	ø hose			flange	A		C	
	dn	inch	size		mm	in	mm	in
AX10H-20-20	31	1.1/4"	20	1.1/4"	51,5	2,03	50,8	2,00
AX10H-20-24	31	1.1/4"	20	1.1/2"	61,5	2,42	60,4	2,38
AX10H-24-24	38	1.1/2"	24	1.1/2"	62,0	2,44	60,4	2,38
AX10H-24-32	38	1.1/2"	24	2"	77,0	3,03	71,4	2,81
AX10H-32-32	51	2"	32	2"	95,7	3,77	71,4	2,81

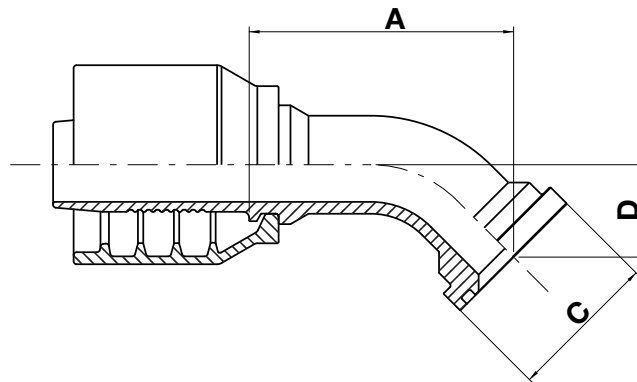
For 6 spiral hoses

# AX40H

SAE 3000 code 61 - 45° elbow flange

NO SKIVE

ISO 6162-1 / SAE J518-1



H

**FITTING**

- NPTF
- JIC
- ORFS
- JIS
- BSP-BSPT
- METRIC
- SAE 3000 CODE 61**
- SAE 6000 CODE 62
- TAPERED SAE
- SUPERCAT STYLE
- STAPLE LOCK
- H.P. STAPLE LOCK
- LOK-IT

code	ø hose			flange	A		C		D	
	dn	inch	size		mm	in	mm	in	mm	in
AX40H-20-16	31	1.1/4"	20	1"	115,5	4,55	44,5	1,75	43,8	1,72
AX40H-20-20	31	1.1/4"	20	1.1/4"	89,0	3,50	50,8	2,00	31,1	1,22
AX40H-20-24	31	1.1/4"	20	1.1/2"	91,8	3,61	60,3	2,37	31,0	1,22
AX40H-24-24	38	1.1/2"	24	1.1/2"	152,0	5,98	60,3	2,37	46,7	1,84
AX40H-24-32	38	1.1/2"	24	2"	133,0	5,24	71,4	2,81	47,0	1,85
AX40H-32-32	51	2"	32	2"	150,0	5,91	71,4	2,81	53,0	2,09

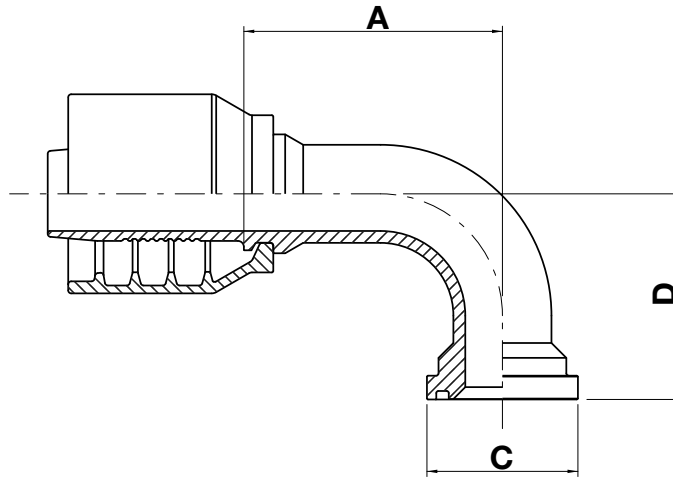
For 6 spiral hoses

# AX90H

SAE 3000 code 61 - 90° elbow flange

NO SKIVE

ISO 6162-1 / SAE J518-1



## FITTING

NPTF  
JIC  
ORFS  
JIS  
BSP-BSPT  
METRIC  
**SAE 3000 CODE 61**  
SAE 6000 CODE 62  
TAPERED SAE  
SUPERCAT STYLE  
STAPLE LOCK  
H.P. STAPLE LOCK  
LOK-IT

code	ø hose			flange	A		C		D	
	dn	inch	size		mm	in	mm	in	mm	in
AX90H-20-20	31	1.1/4"	20	1.1/4"	87,0	3,43	50,8	2,00	69,2	2,72
AX90H-20-24	31	1.1/4"	20	1.1/2"	87,0	3,43	60,3	2,37	69,2	2,72
AX90H-24-24	38	1.1/2"	24	1.1/2"	132,0	5,20	60,3	2,37	103,0	4,06
AX90H-24-32	38	1.1/2"	24	2"	116,0	4,57	71,4	2,81	104,0	4,09
AX90H-32-32	51	2"	32	2"	155,0	6,10	71,4	2,81	123,0	4,84

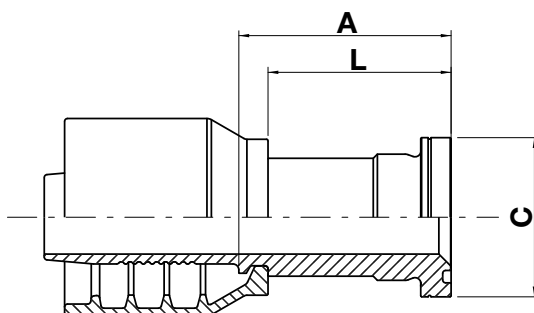
For 6 spiral hoses

# AY10H AY10HLZ-L

SAE 6000 code 62 straight flange

NO SKIVE

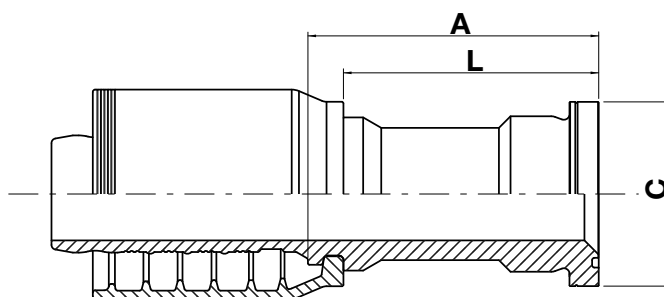
ISO 6162-2 / SAE J518-2



## FITTING

- NPTF
- JIC
- ORFS
- JIS
- BSP-BSPT
- METRIC
- SAE 3000 CODE 61
- SAE 6000 CODE 62**
- TAPERED SAE
- SUPERCAT STYLE
- STAPLE LOCK
- H.P. STAPLE LOCK
- LOK-IT

code	ø hose			flange	A		C		L	
	dn	inch	size		mm	in	mm	in	mm	in
AY10H-20-20	31	1.1/4"	20	1.1/4"	76,9	3,03	54,0	2,13	62,0	2,44
AY10H-20-24	31	1.1/4"	20	1.1/2"	81,4	3,20	63,5	2,50	71,5	2,81
AY10H-24-20	38	1.1/2"	24	1.1/4"	72,5	2,85	54,0	2,13	59,0	2,32
AY10H-24-24	38	1.1/2"	24	1.1/2"	82,0	3,23	63,5	2,50	68,5	2,70
AY10H-24-32	38	1.1/2"	24	2"	110,5	4,35	79,4	3,13	100,0	3,93
AY10H-24-24-108	38	1.1/2"	24	1.1/2"	118,5	4,67	63,5	2,50	108,0	4,25
AY10H-32-24	51	2"	32	1.1/2"	91,0	3,58	63,5	2,50	75,3	2,96
AY10H-32-32	51	2"	32	2"	115,7	4,56	79,4	3,13	95,0	3,74



AY10HLZ-32-32-110*	51	2"	32	2"	125,3	4,93	79,4	3,13	110,0	4,33
--------------------	----	----	----	----	-------	------	------	------	-------	------

\* for 420 bar - 6000 psi rated hoses

For 6 spiral hoses

# AY30H AY30HLZ

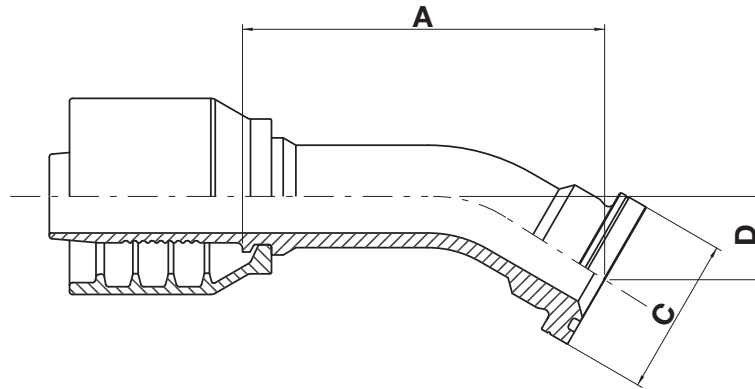
SAE 6000 code 62 - 30° elbow flange

NO SKIVE

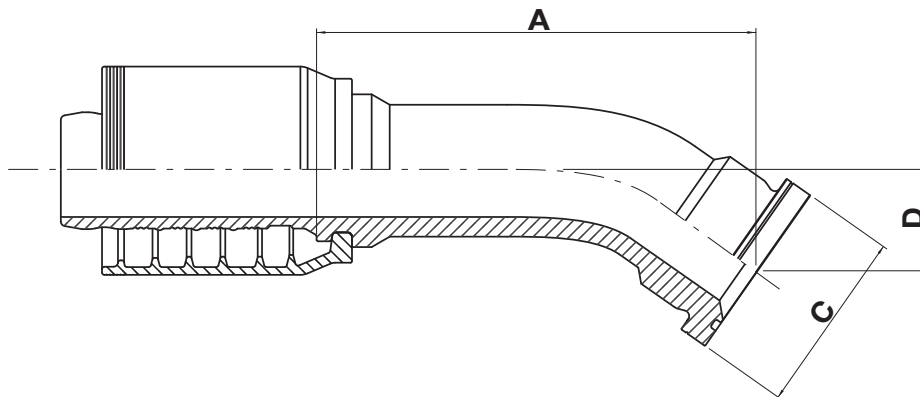
ISO 6162-2 / SAE J518-2

**FITTING**

- NPTF
- JIC
- ORFS
- JIS
- BSP-BSPT
- METRIC
- SAE 3000 CODE 61
- SAE 6000 CODE 62**
- TAPERED SAE
- SUPERCAT STYLE
- STAPLE LOCK
- H.P. STAPLE LOCK
- LOK-IT



code	ø hose			flange	A		C		D	
	dn	inch	size		mm	in	mm	in	mm	in
AY30H-20-20	31	1.1/4"	20	1.1/4"	124,5	4,90	54,0	2,13	27,0	1,06
AY30H-24-24	38	1.1/2"	24	1.1/2"	147,5	5,81	63,5	2,50	29,0	1,14



AY30HLZ-32-32-46*	51	2"	32	2"	200,0	7,87	79,4	3,13	46,0	1,81
-------------------	----	----	----	----	-------	------	------	------	------	------

\* for 420 bar - 6000 psi rated hoses



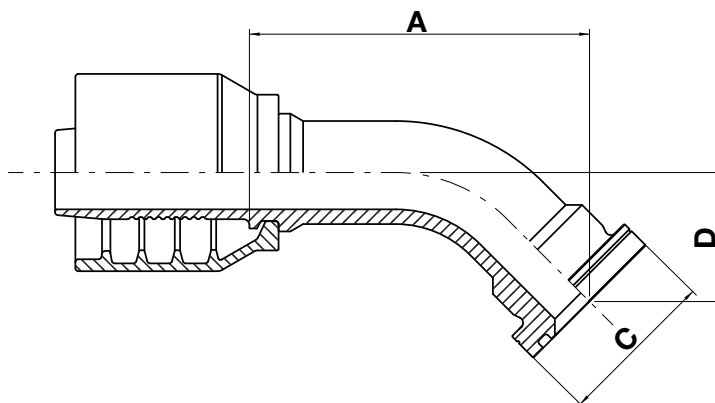
For 6 spiral hoses

# AY40H AY40HLZ

SAE 6000 code 62 - 45° elbow flange

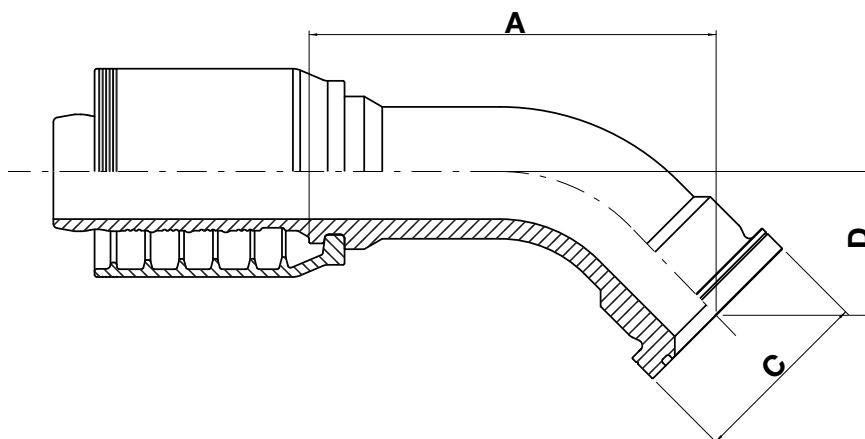
NO SKIVE

ISO 6162-2 / SAE J518-2



- FITTING**
- NPTF
  - JIC
  - ORFS
  - JIS
  - BSP-BSPT
  - METRIC
  - SAE 3000 CODE 61
  - SAE 6000 CODE 62**
  - TAPERED SAE
  - SUPERCAT STYLE
  - STAPLE LOCK
  - H.P. STAPLE LOCK
  - LOK-IT

code	ø hose			flange	A		C		D	
	dn	inch	size		mm	in	mm	in	mm	in
AY40H-20-16	31	1.1/4"	20	1"	115,5	4,55	47,6	1,88	38,1	1,50
AY40H-20-20	31	1.1/4"	20	1.1/4"	115,5	4,55	54,0	2,13	43,8	1,72
AY40H-20-24	31	1.1/4"	20	1.1/2"	117,5	4,63	63,5	2,50	47,3	1,86
AY40H-24-24	38	1.1/2"	24	1.1/2"	152,0	5,98	63,5	2,50	47,0	1,85
AY40H-24-32	38	1.1/2"	24	2"	146,0	5,75	79,4	3,13	57,7	2,27
AY40H-32-32	51	2"	32	2"	174,0	6,85	79,4	3,13	63,9	2,52



AY40HLZ-32-32*	51	2"	32	2"	176,5,0	6,95	79,4	3,13	61,0	2,40
----------------	----	----	----	----	---------	------	------	------	------	------

\* for 420 bar - 6000 psi rated hoses

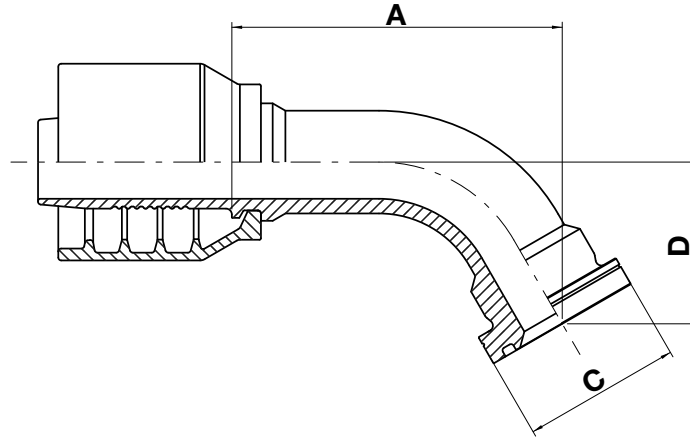
For 6 spiral hoses

# AY60H

SAE 6000 code 62 - 60° elbow flange

NO SKIVE

ISO 6162-2 / SAE J518-2



## FITTING

NPTF  
JIC  
ORFS  
JIS  
BSP-BSPT  
METRIC  
SAE 3000 CODE 61  
**SAE 6000 CODE 62**  
TAPERED SAE  
SUPERCAT STYLE  
STAPLE LOCK  
H.P. STAPLE LOCK  
LOK-IT

code	ø hose			flange	A		C		D	
	dn	inch	size		mm	in	mm	in	mm	in
AY60H-20-20	31	1.1/4"	20	1.1/4"	112,5	4,43	54,0	2,13	55,1	2,17
AY60H-24-24	38	1.1/2"	24	1.1/2"	153,5	6,04	63,5	2,50	69,8	2,75

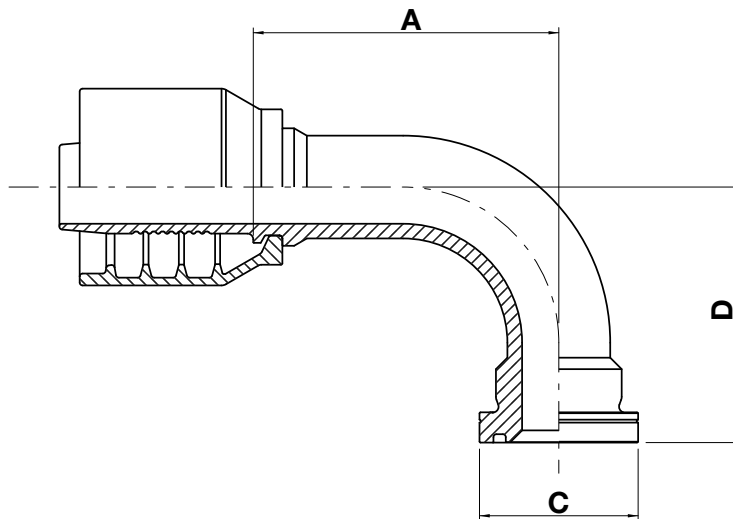
For 6 spiral hoses

# AY90H AY90HLZ

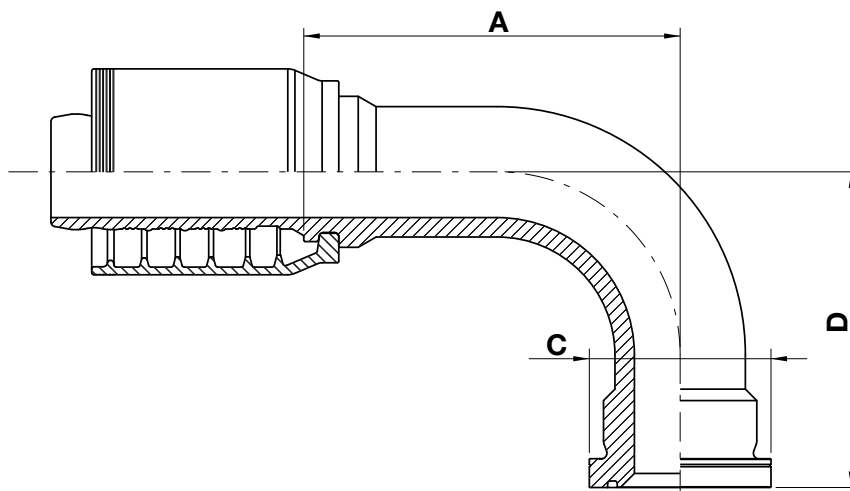
SAE 6000 code 62 - 90° elbow flange

NO SKIVE

ISO 6162-2 / SAE J518-2



code	ø hose			flange	A		C		D	
	dn	inch	size		mm	in	mm	in	mm	in
AY90H-20-16	31	1.1/4"	20	1"	104,0	4,09	47,6	1,87	85,0	3,35
AY90H-20-20	31	1.1/4"	20	1.1/4"	104,0	4,09	54,0	2,13	86,0	3,39
AY90H-20-24	31	1.1/4"	20	1.1/2"	104,2	4,10	63,5	2,50	98,0	3,86
AY90H-24-24	38	1.1/2"	24	1.1/2"	124,5	4,90	63,5	2,50	104,0	4,09
AY90H-24-32	38	1.1/2"	24	2"	129,0	5,08	79,4	3,13	119,5	4,70
AY90H-32-32	51	2"	32	2"	162,0	6,38	79,4	3,13	134,0	5,28



AY90HLZ-32-32*	51	2"	32	2"	164,5	6,48	79,4	3,13	138,0	5,43
----------------	----	----	----	----	-------	------	------	------	-------	------

\* for 420 bar - 6000 psi rated hoses

- FITTING**
- NPTF
  - JIC
  - ORFS
  - JIS
  - BSP-BSPT
  - METRIC
  - SAE 3000 CODE 61
  - SAE 6000 CODE 62**
  - TAPERED SAE
  - SUPERCAT STYLE
  - STAPLE LOCK
  - H.P. STAPLE LOCK
  - LOK-IT

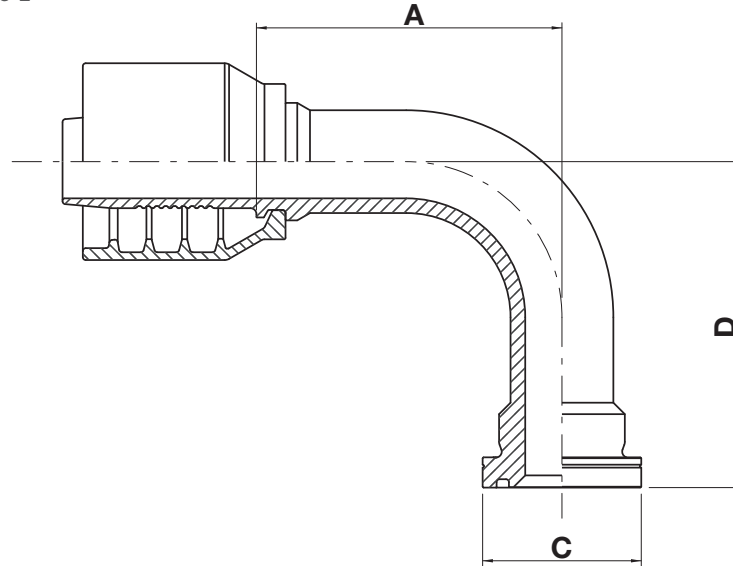
For 6 spiral hoses

# AY90H-L AY90HLZ-L

SAE 6000 code 62 - 90° elbow flange (long drop)

NO SKIVE

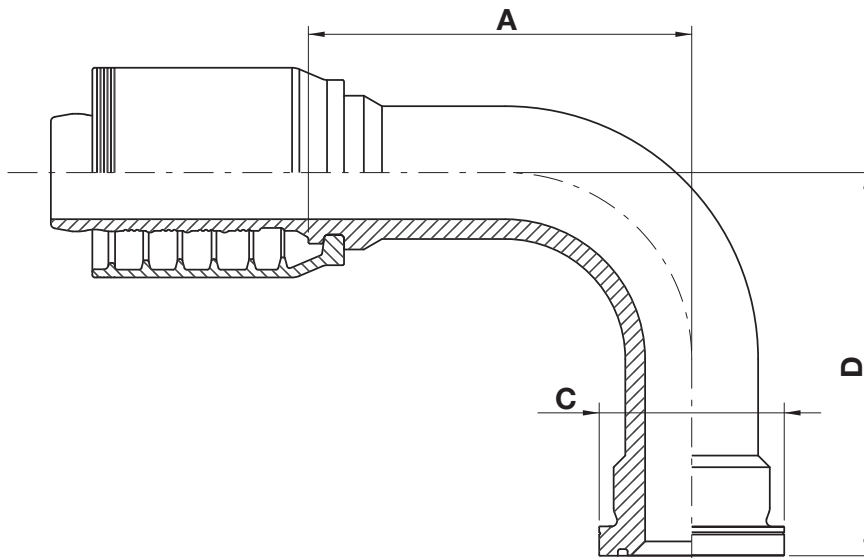
ISO 6162-2 / SAE J518-2



**FITTING**

- NPTF
- JIC
- ORFS
- JIS
- BSP-BSPT
- METRIC
- SAE 3000 CODE 61
- SAE 6000 CODE 62**
- TAPERED SAE
- SUPERCAT STYLE
- STAPLE LOCK
- H.P. STAPLE LOCK
- LOK-IT

code	ø hose			flange	A		C		D	
	dn	inch	size		mm	in	mm	in	mm	in
AY90H-20-20-130	31	1.1/4"	20	1.1/4"	104,0	4,09	54,0	2,13	130,0	5,12
AY90H-20-20-150	31	1.1/4"	20	1.1/4"	104,0	4,09	54,0	2,13	150,0	5,91
AY90H-24-24-114	38	1.1/2"	24	1.1/2"	124,0	4,88	63,5	2,50	114,0	4,49
AY90H-24-24-150	38	1.1/2"	24	1.1/2"	124,0	4,88	63,5	2,50	150,0	5,91



AY90HLZ-32-32-155*	51	2"	32	2"	151,9	5,98	79,4	3,13	155,0	6,10
--------------------	----	----	----	----	-------	------	------	------	-------	------

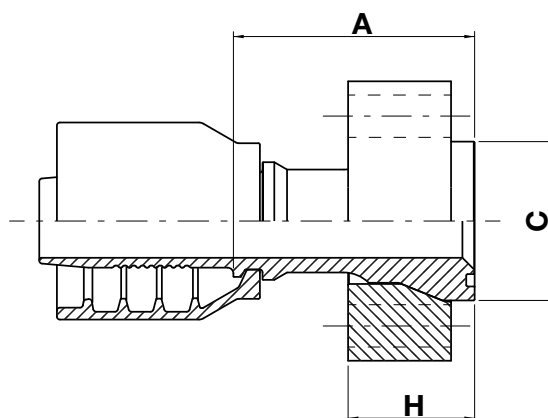
\* for 420 bar - 6000 psi rated hoses

# AL13H AL13HLZ

Tapered SAE straight flange

NO SKIVE

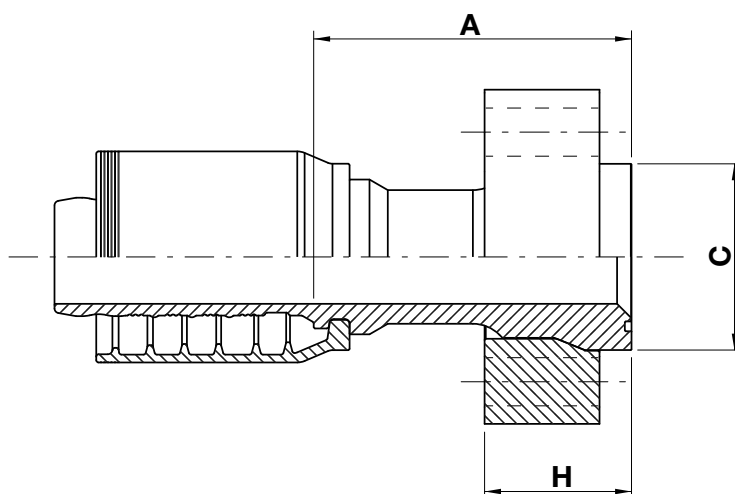
H



- FITTING**
- NPTF
  - JIC
  - ORFS
  - JIS
  - BSP-BSPT
  - METRIC
  - SAE 3000 CODE 61
  - SAE 6000 CODE 62
  - TAPERED SAE**
  - SUPERCAT STYLE
  - STAPLE LOCK
  - H.P. STAPLE LOCK
  - LOK-IT

code	ø hose			flange	A		C		H	
	dn	inch	size		mm	in	mm	in	mm	in
AL13H-20-20	32	1.1/4"	20	1.1/4"	82	3,23	54,0	2,12	43,0	1,69
AL13H-24-24	38	1.1/2"	24	1.1/2"	116	4,57	63,5	2,50	52,6	2,07
AL13H-24-32	38	1.1/2"	24	2"	130,5	5,14	79,4	3,12	63,0	2,48

Heavy duty fitting compatible with ports according to SAE J518 code 62



AL13HLZ-32-32	51	2"	32	2"	134,8	5,31	79,4	3,13	63,0	2,48
---------------	----	----	----	----	-------	------	------	------	------	------

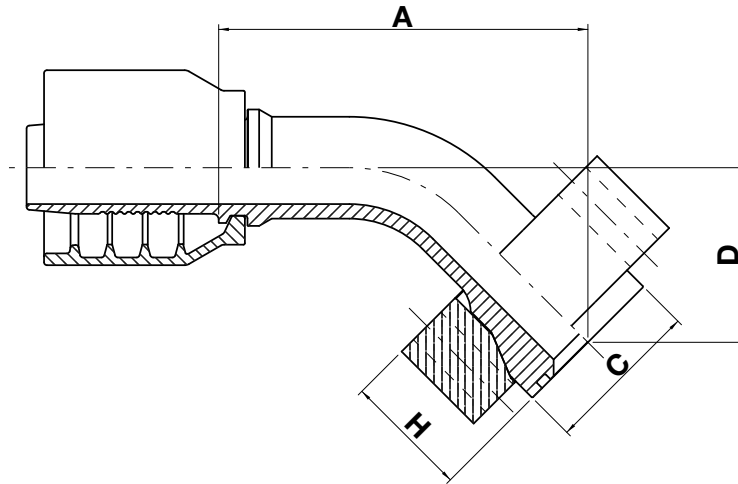
Heavy duty fitting compatible with ports according to SAE J518 code 62

For 6 spiral hoses

# AL43H AL43HLZ

Tapered SAE - 45° elbow flange

NO SKIVE

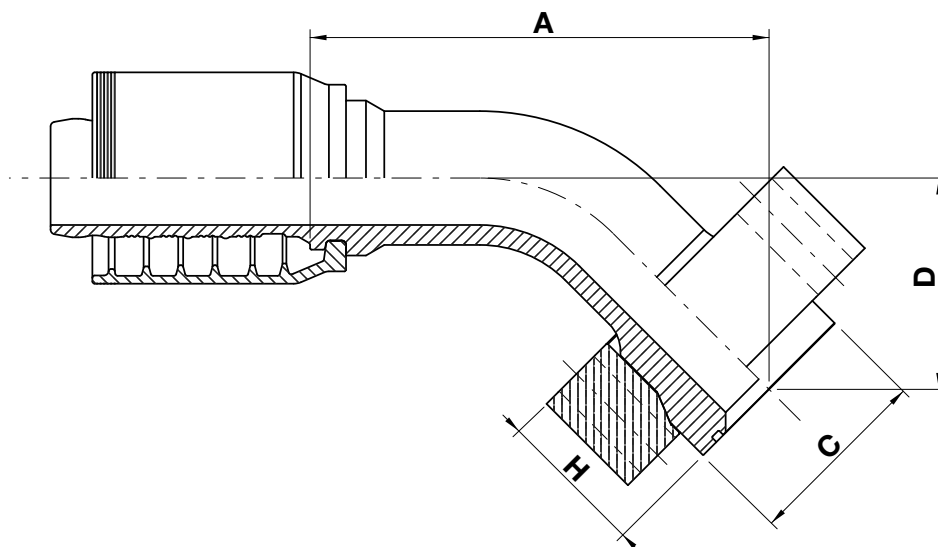


**FITTING**

- NPTF
- JIC
- ORFS
- JIS
- BSP-BSPT
- METRIC
- SAE 3000 CODE 61
- SAE 6000 CODE 62
- TAPERED SAE**
- SUPERCAT STYLE
- STAPLE LOCK
- H.P. STAPLE LOCK
- LOK-IT

code	ø hose			flange	A		D		C		H	
	dn	inch	size		mm	in	mm	in	mm	in	mm	in
AL43H-20-20	32	1.1/4"	20	1.1/4"	127,0	5,00	60,0	2,36	54,0	2,12	43,0	1,69
AL43H-24-24	38	1.1/2"	24	1.1/2"	166,0	6,53	80,0	3,15	63,5	2,50	52,6	2,07
AL43H-24-32	38	1.1/2"	24	2"	184,0	7,24	95,0	3,74	79,4	3,12	63,0	2,48

Heavy duty fitting compatible with ports according to SAE J518 code 62



AL43HLZ-32-32	51	2"	32	2"	195,4	7,69	90,0	3,54	79,4	3,12	63,0	2,48
---------------	----	----	----	----	-------	------	------	------	------	------	------	------

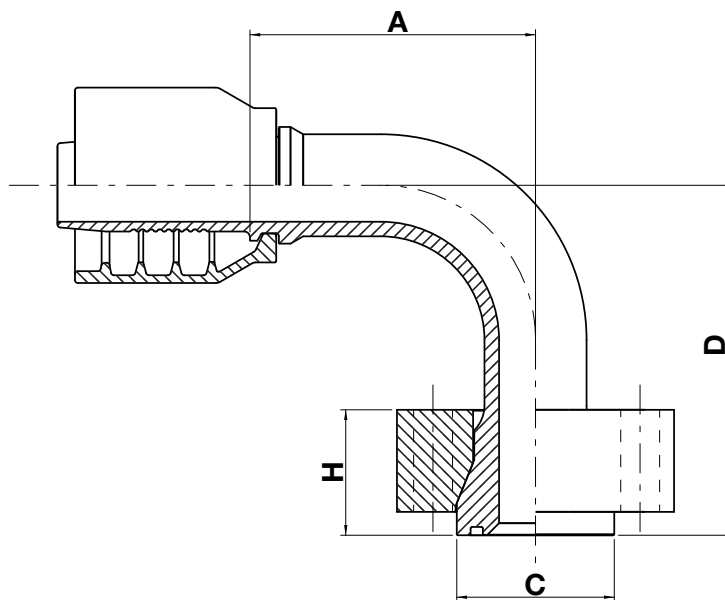
Heavy duty fitting compatible with ports according to SAE J518 code 62

For 6 spiral hoses

# AL93H AL93HLZ

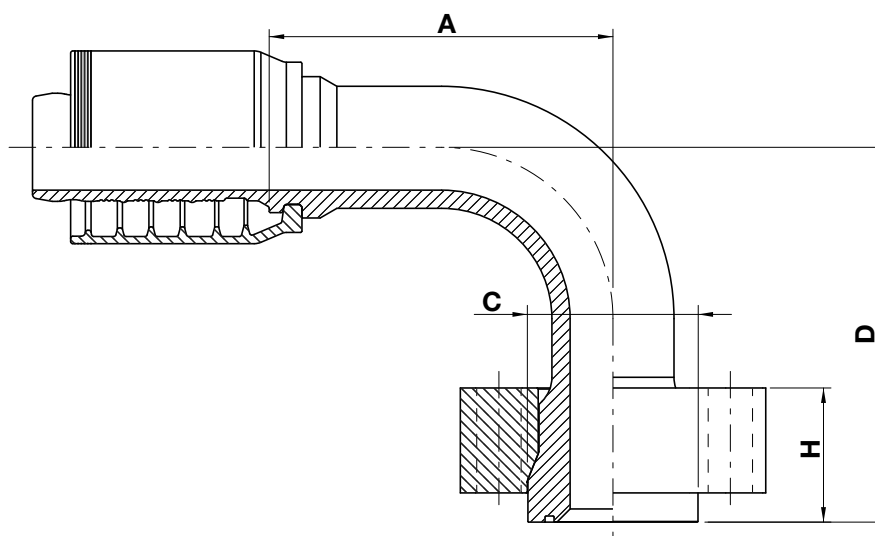
Tapered SAE - 90° elbow flange

NO SKIVE



code	ø hose			flange	A		D		C		H	
	dn	inch	size		mm	in	mm	in	mm	in	mm	in
AL93H-20-20	32	1.1/4"	20	1.1/4"	98,0	3,86	120,0	4,27	54,0	2,12	43,0	1,69
AL93H-24-24	38	1.1/2"	24	1.1/2"	131,0	5,16	140,0	5,51	63,5	2,50	52,6	2,07
AL93H-24-32	38	1.1/2"	24	2"	131,0	5,16	160,0	6,30	79,4	3,12	63,0	2,48

Heavy duty fitting compatible with ports according to SAE J518 code 62



AL93HLZ-32-32	51	2"	32	2"	160,4	6,32	180,0	7,09	79,4	3,12	63,0	2,48
---------------	----	----	----	----	-------	------	-------	------	------	------	------	------

Heavy duty fitting compatible with ports according to SAE J518 code 62

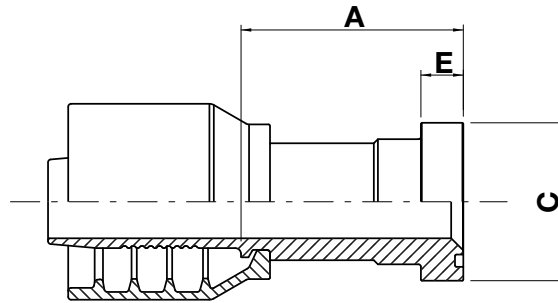
- FITTING**
- NPTF
  - JIC
  - ORFS
  - JIS
  - BSP-BSPT
  - METRIC
  - SAE 3000 CODE 61
  - SAE 6000 CODE 62
  - TAPERED SAE**
  - SUPERCAT STYLE
  - STAPLE LOCK
  - H.P. STAPLE LOCK
  - LOK-IT

For 6 spiral hoses

# AY1CH

“SUPERCAT” style straight flange

NO SKIVE



## FITTING

NPTF  
JIC  
ORFS  
JIS  
BSP-BSPT  
METRIC  
SAE 3000 CODE 61  
SAE 6000 CODE 62  
TAPERED SAE  
**SUPERCAT STYLE**  
STAPLE LOCK  
H.P. STAPLE LOCK  
LOK-IT

code	ø hose			flange	A		C		E	
	dn	inch	size		mm	in	mm	in	mm	in
AY1CH-20-20	31	1.1/4"	20	1.1/4"	76,0	2,99	54,0	2,13	14,5	0,57
AY1CH-20-24	31	1.1/4"	20	1.1/2"	79,9	3,15	63,5	2,50	14,5	0,57
AY1CH-24-24	38	1.1/2"	24	1.1/2"	84,0	3,31	63,5	2,50	14,5	0,57
AY1CH-24-32	38	1.1/2"	24	2"	110,5	4,35	79,4	3,13	14,5	0,57
AY1CH-32-32	51	2"	32	2"	115,7	4,56	79,4	3,13	14,5	0,57

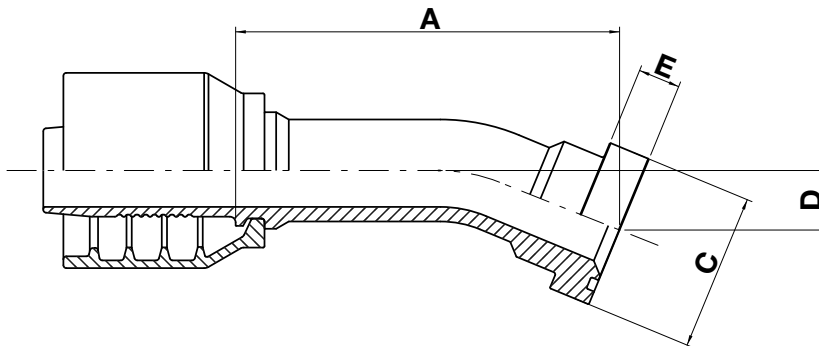


For 6 spiral hoses

# AY2CH

“SUPERCAT” style - 22,5° elbow flange

NO SKIVE



- .....
- FITTING**
- NPTF
  - JIC
  - ORFS
  - JIS
  - BSP-BSPT
  - METRIC
  - SAE 3000 CODE 61
  - SAE 6000 CODE 62
  - TAPERED SAE
  - SUPERCAT STYLE**
  - STAPLE LOCK
  - H.P. STAPLE LOCK
  - LOK-IT

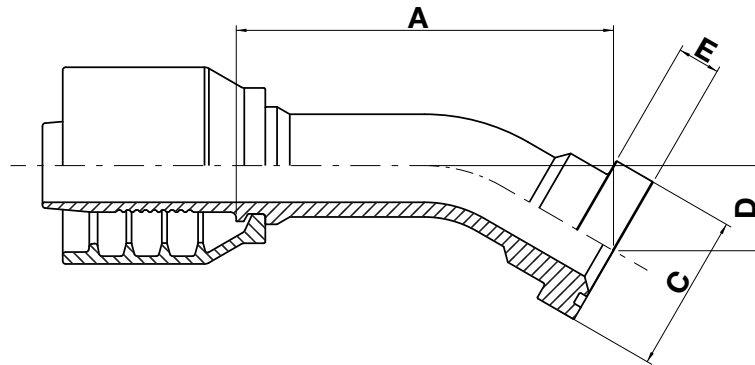
code	ø hose			flange	A		C		D		E	
	dn	inch	size		mm	in	mm	in	mm	in	mm	in
AY2CH-20-20	31	1.1/4"	20	1.1/4"	131,5	5,18	54,0	2,13	21,0	0,82	14,5	0,57
AY2CH-20-24	31	1.1/4"	20	1.1/2"	133,0	5,24	63,5	2,50	22,0	0,87	14,5	0,57
AY2CH-24-24	38	1.1/2"	24	1.1/2"	142,0	5,59	63,5	2,50	20,9	0,82	14,5	0,57
AY2CH-32-32	51	2"	32	2"	174,0	6,85	79,4	3,13	28,5	1,12	14,5	0,57

For 6 spiral hoses

# AY3CH

“SUPERCAT” style - 30° elbow flange

NO SKIVE



## FITTING

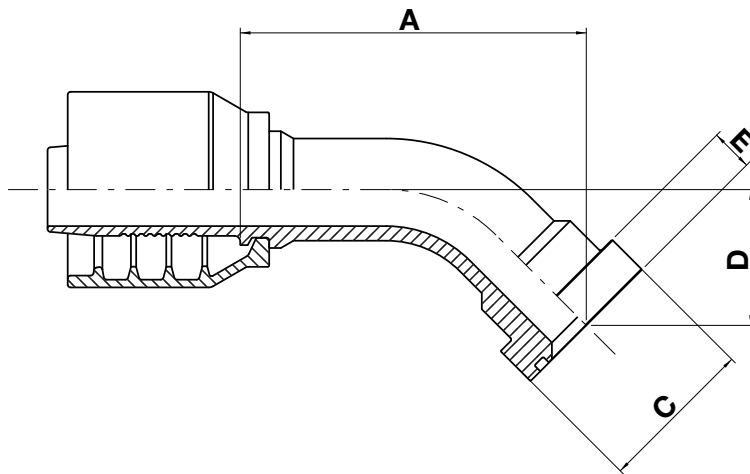
- NPTF
- JIC
- ORFS
- JIS
- BSP-BSPT
- METRIC
- SAE 3000 CODE 61
- SAE 6000 CODE 62
- TAPERED SAE
- SUPERCAT STYLE**
- STAPLE LOCK
- H.P. STAPLE LOCK
- LOK-IT

code	ø hose			flange	A		C		D		E	
	dn	inch	size		mm	in	mm	in	mm	in	mm	in
AY3CH-20-20	31	1.1/4"	20	1.1/4"	128,5	5,06	54,0	2,13	29,0	1,14	14,5	0,57
AY3CH-20-24	31	1.1/4"	20	1.1/2"	129,5	5,01	63,5	2,50	30,6	1,20	14,5	0,57
AY3CH-24-24	38	1.1/2"	24	1.1/2"	147,0	5,79	63,5	2,50	29,9	1,18	14,5	0,57
AY3CH-32-32	51	2"	32	2"	165,8	6,53	79,4	3,13	40,0	1,57	14,5	0,57

# AY4CH

“SUPERCAT” style - 45° elbow flange

NO SKIVE



**FITTING**  
 NPTF  
 JIC  
 ORFS  
 JIS  
 BSP-BSPT  
 METRIC  
 SAE 3000 CODE 61  
 SAE 6000 CODE 62  
 TAPERED SAE  
**SUPERCAT STYLE**  
 STAPLE LOCK  
 H.P. STAPLE LOCK  
 LOK-IT

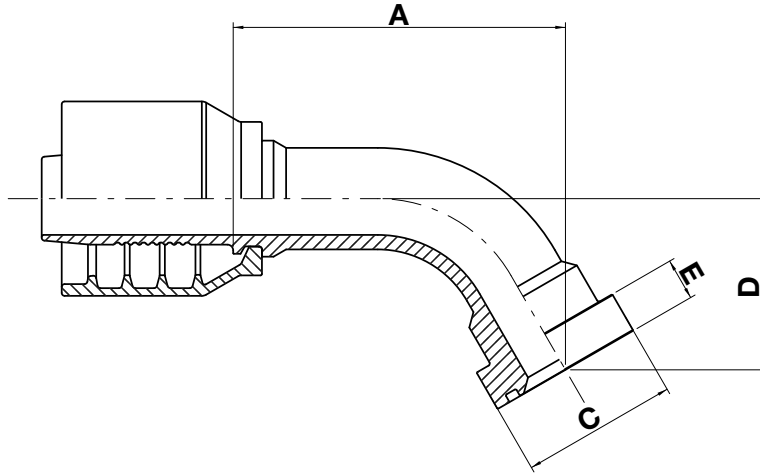
code	ø hose			flange	A		C		D		E	
	dn	inch	size		mm	in	mm	in	mm	in	mm	in
AY4CH-20-16	31	1.1/4"	20	1"	119,0	4,68	47,6	1,87	41,7	1,64	14,5	0,57
AY4CH-20-20	31	1.1/4"	20	1.1/4"	118,5	4,67	54,0	2,13	46,5	1,83	14,5	0,57
AY4CH-20-24	31	1.1/4"	20	1.1/2"	119,0	4,68	63,5	2,50	49,0	1,93	14,5	0,57
AY4CH-24-24	38	1.1/2"	24	1.1/2"	153,5	6,04	63,5	2,50	48,9	1,92	14,5	0,57
AY4CH-24-32	38	1.1/2"	24	2"	180,7	7,11	79,4	3,13	60,0	2,36	14,5	0,57
AY4CH-32-32	51	2"	32	2"	174,0	6,85	79,4	3,13	65,3	2,57	14,5	0,57

For 6 spiral hoses

# AY6CH

“SUPERCAT” style - 60° elbow flange

NO SKIVE



**FITTING**

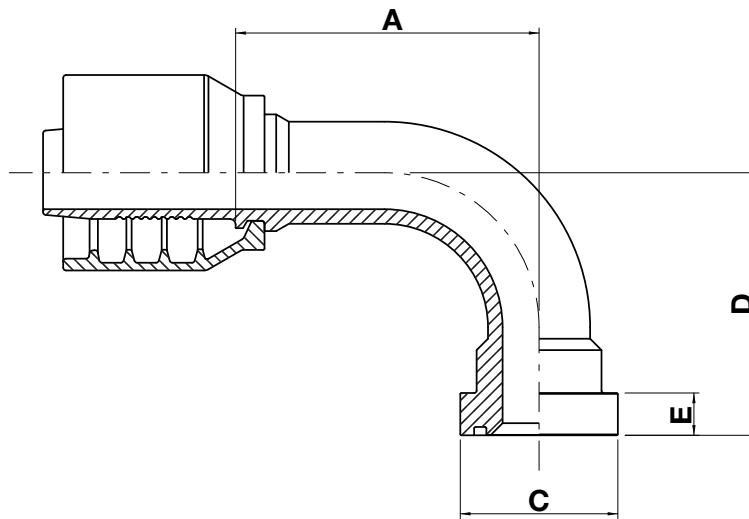
- NPTF
- JIC
- ORFS
- JIS
- BSP-BSPT
- METRIC
- SAE 3000 CODE 61
- SAE 6000 CODE 62
- TAPERED SAE
- SUPERCAT STYLE**
- STAPLE LOCK
- H.P. STAPLE LOCK
- LOK-IT

code	ø hose			flange	A		C		D		E	
	dn	inch	size		mm	in	mm	in	mm	in	mm	in
AY6CH-20-20	31	1.1/4"	20	1.1/4"	114,5	4,51	54,0	2,13	59,0	2,32	14,5	0,57
AY6CH-20-24	31	1.1/4"	20	1.1/2"	137,0	5,39	63,5	2,50	67,2	2,65	14,5	0,57
AY6CH-24-24	38	1.1/2"	24	1.1/2"	153,5	6,04	63,5	2,50	68,7	2,70	14,5	0,57
AY4CH-32-32	51	2"	32	2"	174,0	6,85	79,4	3,13	91,7	3,61	14,5	0,57

# AY9CH

“SUPERCAT” style - 90° elbow flange

NO SKIVE



H

- .....
- FITTING**
- NPTF
  - JIC
  - ORFS
  - JIS
  - BSP-BSPT
  - METRIC
  - SAE 3000 CODE 61
  - SAE 6000 CODE 62
  - TAPERED SAE
  - SUPERCAT STYLE**
  - STAPLE LOCK
  - H.P. STAPLE LOCK
  - LOK-IT

code	ø hose			flange	A		C		D		E	
	dn	inch	size		mm	in	mm	in	mm	in	mm	in
AY9CH-20-16	31	1.1/4"	20	1"	100,4	3,95	47,6	1,88	90,0	3,54	14,5	0,57
AY9CH-20-20	31	1.1/4"	20	1.1/4"	104,0	4,09	54,0	2,13	90,0	3,54	14,5	0,57
AY9CH-20-24	31	1.1/4"	20	1.1/2"	104,2	4,10	63,5	2,50	100,0	3,94	14,5	0,57
AY9CH-24-24	38	1.1/2"	24	1.1/2"	126,5	4,98	63,5	2,50	106,0	4,17	14,5	0,57
AY9CH-24-32	38	1.1/2"	24	2"	126,5	4,98	79,4	3,13	121,5	4,78	14,5	0,57
AY9CH-32-32	51	2"	32	2"	162,0	6,38	79,4	3,13	136,0	5,35	14,5	0,57

For 6 spiral hoses

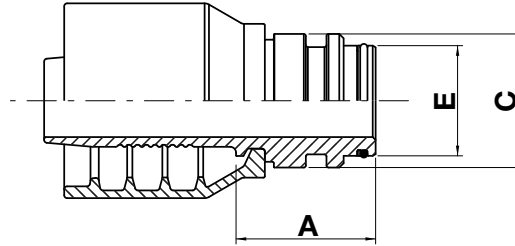
# ST11H

Staple lock male

NO SKIVE

## FITTING

NPTF  
JIC  
ORFS  
JIS  
BSP-BSPT  
METRIC  
SAE 3000 CODE 61  
SAE 6000 CODE 62  
TAPERED SAE  
SUPERCAT STYLE  
**STAPLE LOCK**  
H.P. STAPLE LOCK  
LOK-IT



code	ø hose			A		C		E	
	dn	inch	size	mm	in	mm	in	mm	in
ST11H-20-20	31	1.1/4"	20	48,0	1,89	45,9	1,81	37,9	1,49
ST11H-24-24	38	1.1/2"	24	52,9	2,08	54,9	2,16	46,9	1,84
ST11H-32-32	51	2"	32	60,7	2,39	63,9	2,51	55,9	2,20

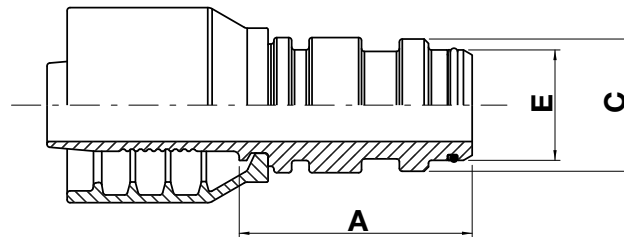
For 6 spiral hoses

# SS11H

High pressure staple lock male

NO SKIVE

H



**FITTING**

- NPTF
- JIC
- ORFS
- JIS
- BSP-BSPT
- METRIC
- SAE 3000 CODE 61
- SAE 6000 CODE 62
- TAPERED SAE
- SUPERCAT STYLE
- STAPLE LOCK
- H.P. STAPLE LOCK**
- LOK-IT

code	ø hose			A		C		E	
	dn	inch	size	mm	in	mm	in	mm	in
SS11H-20-20	31	1.1/4"	20	80,0	3,15	45,4	1,79	37,9	1,49
SS11H-24-24	38	1.1/2"	24	82,5	3,25	54,4	2,14	43,9	1,73
SS11H-32-32	51	2"	32	95,0	3,74	63,4	2,50	49,9	1,96

For 6 spiral hoses

# HVM11H HVM11HLZ

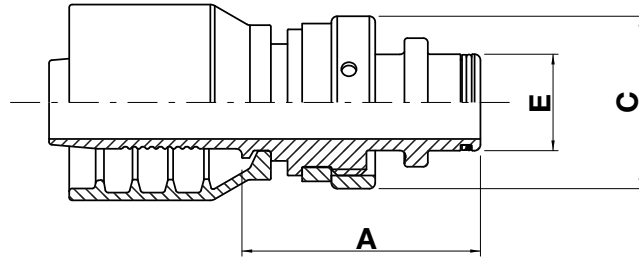
High pressure Lok-IT male

NO SKIVE

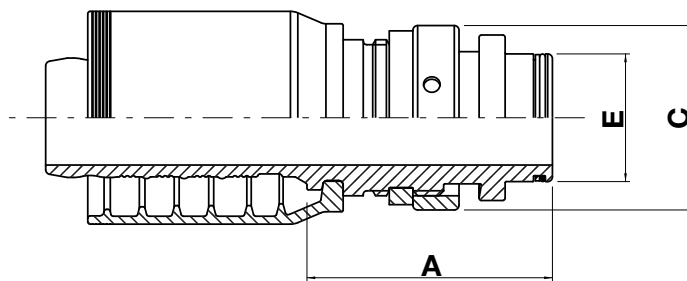
**FITTING**

- NPTF
- JIC
- ORFS
- JIS
- BSP-BSPT
- METRIC
- SAE 3000 CODE 61
- SAE 6000 CODE 62
- TAPERED SAE
- SUPERCAT STYLE
- STAPLE LOCK
- H.P. STAPLE LOCK

**LOK-IT**



code	ø hose			C		E		A	
	dn	inch	size	mm	in	mm	in	mm	in
HVM11H-20-20	31	1.1/4"	20	52,0	2,04	33,0	1,29	79,0	3,11
HVM11H-24-24	38	1.1/2"	24	64,0	2,51	42,0	1,65	87,5	3,44
HVM11H-32-32	51	2"	32	85,0	3,34	54,0	2,12	92,0	3,62



HVM11HLZ-32-32*	51	2"	32	78,0	3,07	54,0	2,12	97,0	3,82
-----------------	----	----	----	------	------	------	------	------	------

\* heavy duty fitting



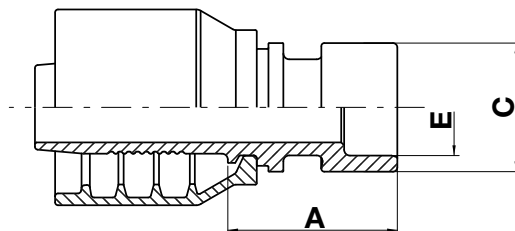
For 6 spiral hoses

# HVF10H HVF10HLZ

High pressure Lok-IT female

NO SKIVE

H

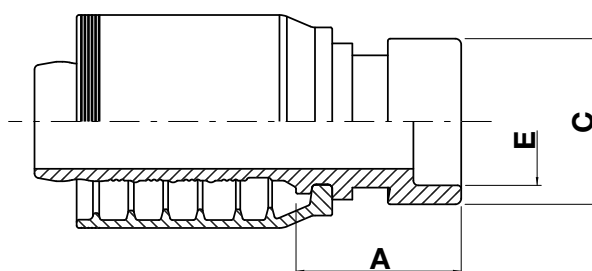


**FITTING**

- NPTF
- JIC
- ORFS
- JIS
- BSP-BSPT
- METRIC
- SAE 3000 CODE 61
- SAE 6000 CODE 62
- TAPERED SAE
- SUPERCAT STYLE
- STAPLE LOCK
- H.P. STAPLE LOCK

**LOK-IT**

code	ø hose			C		E		A	
	dn	inch	size	mm	in	mm	in	mm	in
HVF10H-20-20	31	1.1/4"	20	44,0	1,73	33,0	1,29	58,0	2,28
HVF10H-24-24	38	1.1/2"	24	54,0	2,12	42,0	1,65	59,0	2,32
HVF10H-32-32	51	2"	32	70,0	2,75	54,0	2,12	68,7	2,70



HVF10HLZ-32-32*	51	2"	32	70,0	2,76	54,0	2,12	75,0	2,95
-----------------	----	----	----	------	------	------	------	------	------

\* heavy duty fitting



## LubeTeam Hydraulic S.r.l.

*Administration and Headquarter:*

Via Tufara Scautieri, 6

83018 - San Martino Valle Caudina (AV)

*Office and Warehouse:*

S.S. 7 Appia, Km. 237,00

82011 - Airola BN

ITALY

Tel. +39 0823 950 994

Fax +39 0823 412 546

[www.lubeteam.it](http://www.lubeteam.it) [info@lubeteam.it](mailto:info@lubeteam.it)

Italian VAT / C.F. e P.IVA: 01251720627

Follow us



This document is the property of LubeTeam Hydraulic S.r.l. All data reported here are for the exclusive use of the Receiver. Reproduction is not authorized without writing permission, in all or in part of the content of this document, in accordance to Law 633 art. 171, dated April 22, 1941.

Il presente documento è di proprietà della LubeTeam Hydraulic S.r.l. I dati riportati sono per esclusivo del destinatario. La riproduzione, di tutto o in parte, non è autorizzata senza permesso scritto secondo l'art. 171 della L. 633 del 22 Aprile 1941.