



INTERTRACO
Raccordi Monopezzo
Serie J



 HYDRAULIC
COMPONENTS
& FLUID CONTAMINATION
CONTROL



All trademarks belong to their respective owners; third party trademarks, product names, trade names, corporate names and company names mentioned may be trademarks of their respective owners or registered trademarks of other companies and are used for instructional purposes and for the benefit of the owner, without any end of Copyright infringement in force.

Tutti i marchi riportati appartengono ai legittimi proprietari; marchi di terzi, nomi di prodotti, nomi commerciali, nomi corporativi e società citati possono essere di proprietà dei rispettivi titolari o registrati da altre società e sono stati utilizzati a puro scopo esplicativo e a beneficio del possessore, senza alcun fine di violazione dei diritti di Copyright vigenti.

J

SERIES

**For multispiral and
wire braid hoses
No skive**

 **intertraco**

product	standard	code	description	page
Fitting	NPTF	MN10J	NPTF male (60° cone seat)	105
		MNA10J	NPTF male (60° cone seat) - long nose "API" style version	106
	JIC	MJ10J	JIC 37° male	107
		FJ11J	JIC 37° female swivel	108
		FJ41J	JIC 37° female swivel - 45° elbow	110
		FJ91J	JIC 37° female swivel - 90° elbow	111
		FJ91J-L	JIC 37° female swivel - 90° elbow (long drop)	113
		KJ91J	JIC 37° female swivel - 90° elbow (compact forged)	114
		ORFS	OM10J	ORFS male
	OR13J		ORFS female swivel	116
	OR11J		ORFS short female swivel	118
	OR44J		ORFS female swivel - 45° elbow	119
	OR94J		ORFS female swivel - 90° elbow	120
	OR94J-M		ORFS female swivel - 90° elbow (medium drop)	122
	OR94J-L		ORFS female swivel - 90° elbow (long drop)	123
	SAE	ME10J	O-ring boss male	124
	JIS	FT11J	Japanese "T" style termination female swivel 60° cone	125
		FK11J	Japanese "KOM" style termination female swivel 60° cone	126
		AK10J	Japanese "KOM" style termination straight flange (for metric O-ring)	128
		AK40J	Japanese "KOM" style termination - 45° elbow flange (for metric O-ring)	129
		AK90J	Japanese "KOM" style termination - 90° elbow flange (for metric O-ring)	130
		AK13J	Japanese "KOM" style termination straight flange with 2 bolt pre-assembled counterflange (for metric O-ring)	131
		AK43J	Japanese "KOM" style termination - 45° elbow flange with 2 bolt pre-assembled counterflange (for metric O-ring)	132
		AK93J	Japanese "KOM" style termination - 90° elbow flange with 2 bolt pre-assembled counterflange (for metric O-ring)	133
		KC10J	"KOB" style male (24° cone seat)	134
		BSP BSPT	MT10J	BSPT tapered male 60° cone
	MB10J		BSP male 60° cone	136
	FB13J		BSP female swivel 60° cone	137
	FB43J		BSP female swivel 60° cone - 45° elbow	138
	FB93J		BSP female swivel 60° cone - 90° elbow	139
	FB93J_L		BSP female swivel 60° cone - 90° elbow (long drop)	140
	KM91J		BSP female swivel 60° cone - 90° elbow (compact forged)	141
FO13J	BSP O-ring female swivel 60° cone		142	

product	standard	code	description	page
Fitting	BSP BSPT	FO43J	BSP O-ring female swivel 60° cone - 45° elbow	143
		FO93J	BSP O-ring female swivel 60° cone - 90° elbow	144
		FP11J	BSP flat face female swivel	145
		BB10J	BSP banjo	146
	METRIC	ML10J	Metric light male (24° cone seat)	147
		FL13J	Metric light female swivel (24° cone seat)	148
		FL43J	Metric light female swivel - 45° elbow (24° cone seat)	149
		FL93J	Metric light female swivel - 90° elbow (24° cone seat)	150
		MS10J	Metric heavy male (24° cone seat)	151
		FS13J	Metric heavy female swivel (24° cone seat)	152
		FS43J	Metric heavy female swivel - 45° elbow (24° cone seat)	153
		FS93J	Metric heavy female swivel - 90° elbow (24° cone seat)	154
		BM10J	Metric banjo	155
	SAE 3000 CODE 61	AX10J	SAE 3000 code 61 straight flange	156
		AX10J-L	SAE 3000 code 61 straight flange (long reach version)	157
		AX20J	SAE 3000 code 61 - 22,5° elbow flange	158
		AX30J	SAE 3000 code 61 - 30° elbow flange	159
		AX40J	SAE 3000 code 61 - 45° elbow flange	160
		AX60J	SAE 3000 code 61 - 60° elbow flange	161
		AX70J	SAE 3000 code 61 - 67,5° elbow flange	162
		AX90J	SAE 3000 code 61 - 90° elbow flange	163
		AX90J-L	SAE 3000 code 61 - 90° elbow flange (long drop)	164
		AX110J	SAE 3000 code 61 - 110° elbow flange	166
		AX135J	SAE 3000 code 61 - 135° elbow flange	167
	SAE 6000 CODE 62	AY10J	SAE 6000 code 62 straight flange	168
		AY30J	SAE 6000 code 62 - 30° elbow flange	169
		AY40J	SAE 6000 code 62 - 45° elbow flange	170
		AY60J	SAE 6000 code 62 - 60° elbow flange	171
		AY90J	SAE 6000 code 62 - 90° elbow flange	172
		AY90J-L	SAE 6000 code 62 - 90° elbow flange (long drop)	173
		AY13J	SAE 6000 code 62 straight flange and captive pre-assembled counterflange	174
		AY43J	SAE 6000 code 62 - 45° elbow flange and captive pre-assembled counterflange	175
		AY93J	SAE 6000 code 62 - 90° elbow flange and captive pre-assembled counterflange	176
	TAPERED SAE FL.	AL13J	Tapered SAE straight flange	177

product	standard	code	description	page
Fitting	TAPERED SAE FLANGE	AL43J	Tapered SAE - 45° elbow flange	178
		AL93J	Tapered SAE - 90° elbow flange	179
	"SUPERCAT" STYLE H. P. FLANGE	AY1CJ	"SUPERCAT" style straight flange	180
		AY2CJ	"SUPERCAT" style - 22,5° elbow flange	181
		AY3CJ	"SUPERCAT" style - 30° elbow flange	182
		AY4CJ	"SUPERCAT" style - 45° elbow flange	183
		AY6CJ	"SUPERCAT" style - 60° elbow flange	184
		AY7CJ	"SUPERCAT" style - 67,5° elbow flange	185
		AY9CJ	"SUPERCAT" style - 90° elbow flange	186
	STAPLE LOCK	ST11J	Staple lock male	187
	H. P. STAPLE L.	SS11J	High pressure staple lock male	188
	LOK-IT	NVM11J	Standard pressure Lok-IT male	189
		NVF10J	Standard pressure Lok-IT female	190
		HVM11J	High pressure Lok-IT male	191
		HVF10J	High pressure Lok-IT female	192
	-	WO10J	Brazing tail	193

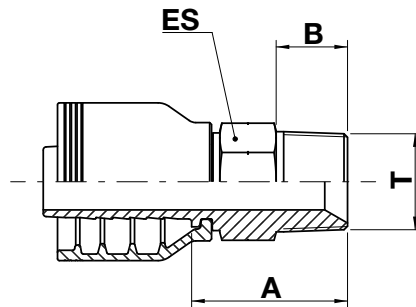
MN10J

J

NPTF male (60° cone seat)

NO SKIVE

SAE J514



FITTINGS

NPTF

JIC

ORFS

SAE

JIS

BSP-BSPT

METRIC

SAE 3000 CODE 61

SAE 6000 CODE 62

TAPERED SAE

SUPERCAT STYLE

STAPLE LOCK

H.P. STAPLE LOCK

LOK-IT

code	ø hose			T	A		B		ES		
	dn	inch	size		mm	in	mm	in	mm	in	↻ in
MN10J-06-04	10	3/8"	06	1/4"-18	26,5	1,04	14,0	0,55	17,0	0,669	11/16"
MN10J-06-06	10	3/8"	06	3/8"-18	28,0	1,10	14,0	0,55	19,0	0,748	3/4"
MN10J-06-08	10	3/8"	06	1/2"-14	33,0	1,30	19,0	0,75	22,0	0,866	7/8"
MN10J-08-06	12	1/2"	08	3/8"-18	28,5	1,12	14,0	0,55	19,0	0,748	3/4"
MN10J-08-08	12	1/2"	08	1/2"-14	33,5	1,32	19,0	0,75	22,0	0,866	7/8"
MN10J-08-12	12	1/2"	08	3/4"-14	34,0	1,34	19,0	0,75	27,0	1,063	1.1/16"
MN10J-10-08	16	5/8"	10	1/2"-14	33,5	1,32	19,0	0,75	24,0	0,945	15/16"
MN10J-10-12	16	5/8"	10	3/4"-14	41,0	1,61	19,0	0,75	27,0	1,063	1.1/16"
MN10J-12-12	19	3/4"	12	3/4"-14	41,5	1,63	19,0	0,75	27,0	1,063	1.1/16"
MN10J-12-16	19	3/4"	12	1"-11.1/2	46,5	1,83	24,0	0,94	36,0	1,417	1.7/16"
MN10J-16-12	25	1"	16	3/4"-14	43,0	1,69	19,0	0,75	32,0	1,260	1.1/4"
MN10J-16-16	25	1"	16	1"-11.1/2	48,0	1,89	24,0	0,94	36,0	1,417	1.7/16"
MN10J-16-20	25	1"	16	1.1/4"-11.1/2	60,0	2,36	24,5	0,96	46,0	1,811	1.13/16"
MN10J-20-20	31	1.1/4"	20	1.1/4"-11.1/2	63,0	2,48	24,5	0,96	46,0	1,811	1.13/16"
MN10J-20-24	31	1.1/4"	20	1.1/2"-11.1/2	63,5	2,5	25,5	1,00	50,0	1,969	2"
MN10J-24-24	38	1.1/2"	24	1.1/2"-11.1/2	64,0	2,52	25,5	1,00	50,0	1,969	2"
MN10J-32-32	51	2"	32	2"-11.1/2	79,0	3,11	26,0	1,02	65,0	2,559	2.9/16"

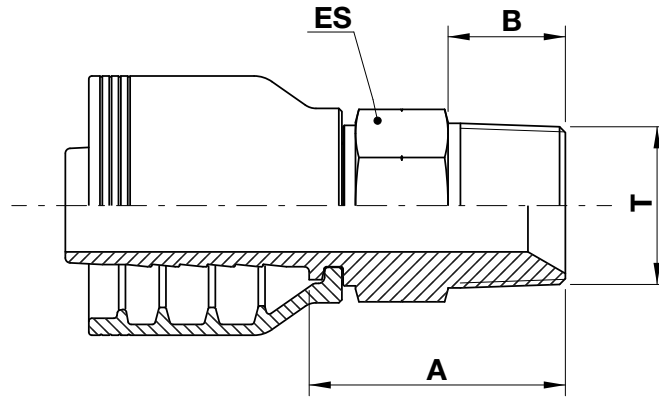
For multispiral and wire braid hoses

J

MNA10J

NPTF male (60° cone seat) - long nose "API" style version

NO SKIVE



FITTINGS

NPTF

- JIC
- ORFS
- SAE
- JIS
- BSP-BSPT
- METRIC
- SAE 3000 CODE 61
- SAE 6000 CODE 62
- TAPERED SAE
- SUPERCAT STYLE
- STAPLE LOCK
- H.P. STAPLE LOCK
- LOK-IT

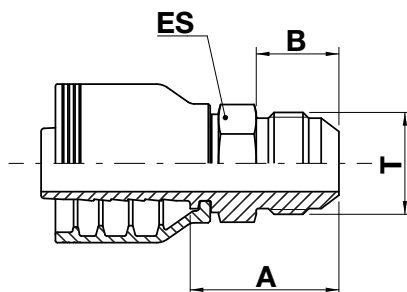
code	ø hose			T	A		B		ES		
	dn	inch	size		mm	in	mm	in	mm	in	↗ in
MNA10J-32-32	51	2"	32	2"-11.1/2	111,0	4,37	51,0	2,01	65,0	2,559	2.9/16"

MJ10J

JIC 37° male

NO SKIVE

ISO 8434-2 / SAE J514



J

FITTINGS

- NPTF
- JIC**
- ORFS
- SAE
- JIS
- BSP-BSPT
- METRIC
- SAE 3000 CODE 61
- SAE 6000 CODE 62
- TAPERED SAE
- SUPERCAT STYLE
- STAPLE LOCK
- H.P. STAPLE LOCK
- LOK-IT

code	ø hose			T	A		B		ES		
	dn	inch	size		mm	in	mm	in	mm	in	↗ in
MJ10J-06-06	10	3/8"	06	9/16"-18	27,5	1,08	14,1	0,56	17,0	0,669	11/16"
MJ10J-06-08	10	3/8"	06	3/4"-16	30,2	1,19	16,7	0,66	19,0	0,748	3/4"
MJ10J-06-10	10	3/8"	06	7/8"-14	34,8	1,37	19,3	0,76	24,0	0,945	15/16"
MJ10J-08-08	12	1/2"	08	3/4"-16	30,7	1,21	16,7	0,66	19,0	0,748	3/4"
MJ10J-08-10	12	1/2"	08	7/8"-14	35,0	1,38	19,3	0,76	24,0	0,945	15/16"
MJ10J-08-12	12	1/2"	08	1.1/16"-12	39,0	1,54	21,9	0,86	27,0	1,063	1.1/16"
MJ10J-10-08	16	5/8"	10	3/4"-16	33,5	1,32	16,7	0,66	24,0	0,945	15/16"
MJ10J-10-10	16	5/8"	10	7/8"-14	35,0	1,38	19,3	0,76	24,0	0,945	15/16"
MJ10J-10-12	16	5/8"	10	1.1/16"-12	39,0	1,54	21,9	0,86	27,0	1,063	1.1/16"
MJ10J-12-10	19	3/4"	12	7/8"-14	36,5	1,44	19,3	0,76	27,0	1,063	1.1/16"
MJ10J-12-12	19	3/4"	12	1.1/16"-12	39,4	1,55	21,9	0,86	27,0	1,063	1.1/16"
MJ10J-12-14	19	3/4"	12	1.3/16"-12	40,0	1,57	22,6	0,89	32,0	1,260	1.1/4"
MJ10J-12-16	19	3/4"	12	1.5/16"-12	45,5	1,79	23,1	0,91	36,0	1,417	1.7/16"
MJ10J-16-16	25	1"	16	1.5/16"-12	47,1	1,85	23,1	0,91	36,0	1,417	1.7/16"
MJ10J-16-20	25	1"	16	1.5/8"-12	58,5	2,30	24,3	0,96	46,0	1,811	1.13/16"
MJ10J-20-20	31	1.1/4"	20	1.5/8"-12	62,8	2,47	24,3	0,96	46,0	1,811	1.13/16"
MJ10J-24-24	38	1.1/2"	24	1.7/8"-12	66,0	2,60	27,5	1,08	50,0	1,969	2"
MJ10J-32-32	51	2"	32	2.1/2"-12	86,5	3,40	33,9	1,33	65,0	2,559	2.9/16"

For multispiral and wire braid hoses

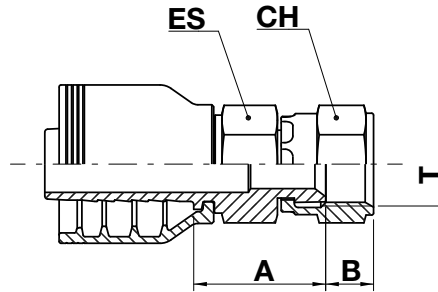
FJ11J FJ16J FJ12J



JIC 37° female swivel

NO SKIVE

ISO 8434-2 / SAE J514



FITTINGS

- NPTF
- JIC**
- ORFS
- SAE
- JIS
- BSP-BSPT
- METRIC
- SAE 3000 CODE 61
- SAE 6000 CODE 62
- TAPERED SAE
- SUPERCAT STYLE
- STAPLE LOCK
- H.P. STAPLE LOCK
- LOK-IT

code	ø hose			T	A		B		ES			CH		
	dn	inch	size		mm	in	mm	in	mm	in	↗ in	mm	in	↗ in
FJ11J-06-06	10	3/8"	06	9/16"-18	24,0	0,94	9,5	0,37	17,0	0,669	11/16"	19,0	0,748	3/4"
FJ16J-06-06	10	3/8"	06	9/16"-18	24,0	0,94	9,5	0,37	17,0	0,669	11/16"	17,46	0,687	11/16"
FJ11J-06-08	10	3/8"	06	3/4"-16	26,0	1,02	10,7	0,42	19,0	0,748	3/4"	22,0	0,866	7/8"
FJ11J-06-10	10	3/8"	06	7/8"-14	28,5	1,12	12,7	0,50	22,0	0,866	7/8"	27,0	1,063	1.1/16"
FJ11J-08-06	12	1/2"	08	9/16"-18	26,5	1,04	9,5	0,37	19,0	0,748	3/4"	19,0	0,748	3/4"
FJ11J-08-08	12	1/2"	08	3/4"-16	26,5	1,04	10,7	0,42	19,0	0,748	3/4"	22,0	0,866	7/8"
FJ11J-08-10	12	1/2"	08	7/8"-14	28,5	1,12	12,7	0,50	22,0	0,866	7/8"	27,0	1,063	1.1/16"
FJ11J-08-12	12	1/2"	08	1.1/16"-12	34,0	1,34	14,3	0,56	27,0	1,063	1.1/16"	32,0	1,260	1.1/4"
FJ11J-10-08	16	5/8"	10	3/4"-16	28,5	1,12	10,7	0,42	22,0	0,866	7/8"	22,0	0,866	7/8"
FJ11J-10-10	16	5/8"	10	7/8"-14	28,5	1,12	12,7	0,50	22,0	0,866	7/8"	27,0	1,060	1.1/16"
FJ11J-10-12	16	5/8"	10	1.1/16"-12	34,0	1,38	14,3	0,56	27,0	1,063	1.1/16"	32,0	1,260	1.1/4"
FJ11J-12-10	19	3/4"	12	7/8"-14	35,0	1,49	12,7	0,50	27,0	1,063	1.1/16"	27,0	1,063	1.1/16"
FJ11J-12-12	19	3/4"	12	1.1/16"-12	34,5	1,36	14,3	0,56	27,0	1,063	1.1/16"	32,0	1,260	1.1/4"
FJ11J-12-14	19	3/4"	12	1.3/16"-12	31,0	1,22	14,5	0,57	36,0	1,181	1.3/16"	36,0	1,417	1.7/16"
FJ11J-12-16	19	3/4"	12	1.5/16"-12	38,5	1,51	15,1	0,59	32,0	1,260	1.1/4"	38,0	1,496	1.1/2"
FJ11J-16-12	25	1"	16	1.1/16"-12	38,0	1,50	14,3	0,56	32,0	1,260	1.1/4"	32,0	1,260	1.1/4"
FJ11J-16-16	25	1"	16	1.5/16"-12	38,0	1,50	15,1	0,59	32,0	1,260	1.1/4"	38,0	1,496	1.1/2"
FJ12J-16-20	25	1"	16	1.5/8"-12	52,6	2,07	16,0	0,63	41,0	1,614	1.5/8"	50,0	1,969	2"
FJ11J-20-16	31	1.1/4"	20	1.5/16"-12	51,5	2,03	16,0	0,63	41,0	1,614	1.5/8"	38,0	1,496	1.1/2"



For multispiral and wire braid hoses

← **FJ11J FJ16J FJ12J**

J

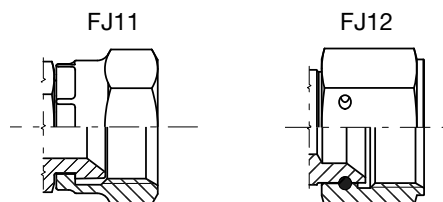
NO SKIVE

code	ø hose			T	A		B		ES			CH		
	dn	inch	size		mm	in	mm	in	mm	in	↗ in	mm	in	↗ in
FJ12J-20-20	31	1.1/4"	20	1.5/8"-12	51,5	2,03	16,0	0,63	41,0	1,614	1.5/8"	50,0	1,969	2"
FJ12J-20-24	31	1.1/4"	20	1.7/8"-12	56,5	2,22	18,5	0,73	50,0	1,969	2"	55,0	2,165	2.3/16"
FJ12J-24-24	38	1.1/2"	24	1.7/8"-12	56,9	2,24	18,5	0,73	50,0	1,969	2"	55,0	2,165	2.3/16"
FJ12J-32-32	51	2"	32	2.1/2"-12	74,0	2,91	24,0	0,94	65,0	2,559	2.9/16"	75,0	2,953	-
FJ12J-40-40	63	2.1/2"	40	3"-12	87,5	3,44	20,0	0,79	75,0	2,953	-	90,0	3,54	-

FITTINGS

- NPTF
- JIC**
- ORFS
- SAE
- JIS
- BSP-BSPT
- METRIC
- SAE 3000 CODE 61
- SAE 6000 CODE 62
- TAPERED SAE
- SUPERCAT STYLE
- STAPLE LOCK
- H.P. STAPLE LOCK
- LOK-IT

Nut type



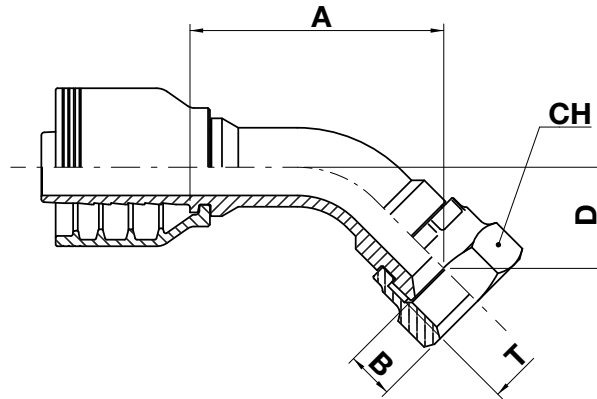
For multispiral and wire braid hoses

FJ41J FJ46J FJ43J FJ42J

JIC 37° female swivel - 45° elbow

NO SKIVE

ISO 8434-2 / SAE J514

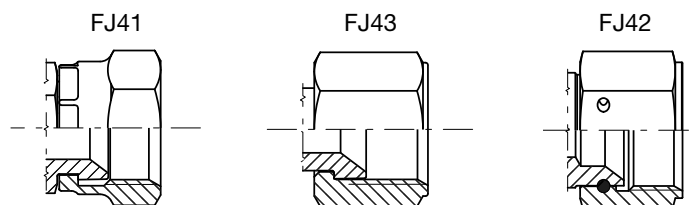


FITTINGS

NPTF
JIC
 ORFS
 SAE
 JIS
 BSP-BSPT
 METRIC
 SAE 3000 CODE 61
 SAE 6000 CODE 62
 TAPERED SAE
 SUPERCAT STYLE
 STAPLE LOCK
 H.P. STAPLE LOCK
 LOK-IT

code	ø hose			T	A		B		D		CH		
	dn	inch	size		mm	in	mm	in	mm	in	mm	in	↻ in
FJ41J-06-06	10	3/8"	06	9/16"-18	33,9	1,33	9,5	0,37	12,1	0,48	19,0	0,748	3/4"
FJ46J-06-06	10	3/8"	06	9/16"-18	33,9	1,33	9,5	0,37	12,1	0,48	17,46	0,687	11/16"
FJ43J-06-08	10	3/8"	06	3/4"-16	42,5	1,67	10,7	0,42	15,0	0,59	22,0	0,866	7/8"
FJ41J-08-08	12	1/2"	08	3/4"-16	40,7	1,60	10,7	0,42	13,8	0,54	22,0	0,866	7/8"
FJ43J-08-10	12	1/2"	08	7/8"-14	44,0	1,73	12,5	0,49	16,0	0,63	27,0	1,063	1.1/16"
FJ41J-10-10	16	5/8"	10	7/8"-14	54,0	2,13	12,7	0,50	16,0	0,63	27,0	1,063	1.1/16"
FJ41J-10-12	16	5/8"	10	1.1/16"-12	60,5	2,38	14,3	0,56	21,0	0,83	32,0	1,260	1.1/4"
FJ41J-12-12	19	3/4"	12	1.1/16"-12	64,5	2,54	14,3	0,56	21,0	0,83	32,0	1,260	1.1/4"
FJ41J-12-16	19	3/4"	12	1.5/16"-12	71,5	2,81	15,1	0,59	31,8	1,25	38,0	1,496	1.1/2"
FJ41J-16-16	25	1"	16	1.5/16"-12	86,0	3,38	15,1	0,59	34,5	1,36	38,0	1,496	1.1/2"
FJ42J-16-20	25	1"	16	1.5/8"-12	92,2	3,63	16,0	0,63	39,2	1,54	50,0	1,969	2"
FJ42J-20-20	31	1.1/4"	20	1.5/8"-12	97,0	3,82	16,0	0,63	37,5	1,48	50,0	1,969	2"
FJ42J-24-24	38	1.1/2"	24	1.7/8"-12	119,0	4,69	18,5	0,73	49,2	1,94	55,0	2,165	2.3/16"
FJ42J-32-32	51	2"	32	2.1/2"-12	152,6	6,01	24,0	0,94	68,8	2,71	75,0	2,953	-

Nut type



For multispiral and wire braid hoses

FJ91J FJ96J FJ93J FJ92J

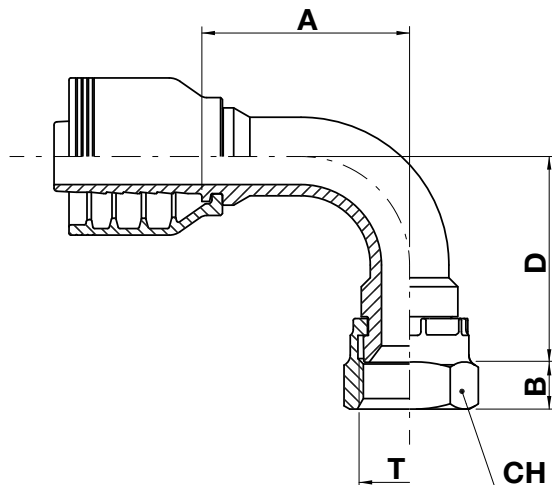


J

JIC 37° female swivel - 90° elbow

NO SKIVE

ISO 8434-2 / SAE J514



FITTINGS

- NPTF
- JIC**
- ORFS
- SAE
- JIS
- BSP-BSPT
- METRIC
- SAE 3000 CODE 61
- SAE 6000 CODE 62
- TAPERED SAE
- SUPERCAT STYLE
- STAPLE LOCK
- H.P. STAPLE LOCK
- LOK-IT

code	ø hose			T	A		B		D		CH		
	dn	inch	size		mm	in	mm	in	mm	in	mm	in	↻ in
FJ91J-06-06	10	3/8"	06	9/16"-18	27,8	1,09	9,5	0,37	23,0	0,91	19,0	0,748	3/4"
FJ96J-06-06	10	3/8"	06	9/16"-18	27,8	1,09	9,5	0,37	23,0	0,91	17,46	0,687	11/16"
FJ93J-06-08	10	3/8"	06	3/4"-16	35,0	1,38	10,7	0,42	30,0	1,18	22,0	0,866	7/8"
FJ91J-08-08	12	1/2"	08	3/4"-16	39,5	1,56	10,7	0,42	30,0	1,18	22,0	0,866	7/8"
FJ93J-08-10	12	1/2"	08	7/8"-14	44,0	1,73	12,5	0,49	32,0	1,26	27,0	1,063	1.1/16"
FJ91J-10-10	16	5/8"	10	7/8"-14	48,5	1,91	12,5	0,49	32,0	1,26	27,0	1,063	1.1/16"
FJ91J-10-12	16	5/8"	10	1.1/16"-12	56,0	2,20	14,3	0,56	48,0	1,89	32,0	1,260	1.1/4"
FJ91J-12-12	19	3/4"	12	1.1/16"-12	61,0	2,41	14,3	0,56	48,0	1,89	32,0	1,260	1.1/4"
FJ91J-12-16	19	3/4"	12	1.5/16"-12	55,5	2,19	15,1	0,61	62,0	2,44	38,0	1,496	1.1/2"
FJ91J-16-16	19	3/4"	12	1.5/16"-12	75,5	2,97	15,1	0,61	71,0	2,80	38,0	1,496	1.1/2"
FJ92J-16-20	25	1"	16	1.5/8"-12	79,5	3,13	16,0	0,63	79,5	3,13	50,0	1,969	2"
FJ92J-20-20	31	1.1/4"	20	1.5/8"-12	87,5	3,44	16,0	0,63	77,0	3,03	50,0	1,969	2"
FJ92J-20-24	31	1.1/4"	20	1.7/8"-12	85,5	3,37	18,5	0,73	88,0	3,46	55,0	2,165	2.3/16"
FJ92J-24-24	38	1.1/2"	24	1.7/8"-12	102,0	4,02	18,5	0,73	100,0	3,94	55,0	2,165	2.3/16"
FJ92J-32-32	51	2"	32	2.1/2"-12	130,5	5,14	24,0	0,94	140,0	5,51	75,0	2,953	-



For multispiral and wire braid hoses

J

← **FJ91J** FJ96J FJ93J FJ92J

NO SKIVE

FITTINGS

NPTF

JIC

ORFS

SAE

JIS

BSP-BSPT

METRIC

SAE 3000 CODE 61

SAE 6000 CODE 62

TAPERED SAE

SUPERCAT STYLE

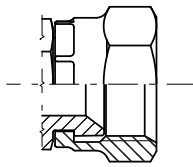
STAPLE LOCK

H.P. STAPLE LOCK

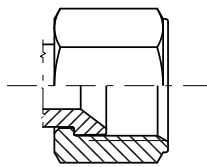
LOK-IT

Nut type

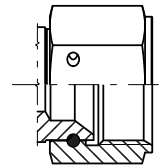
FJ91



FJ93



FJ92



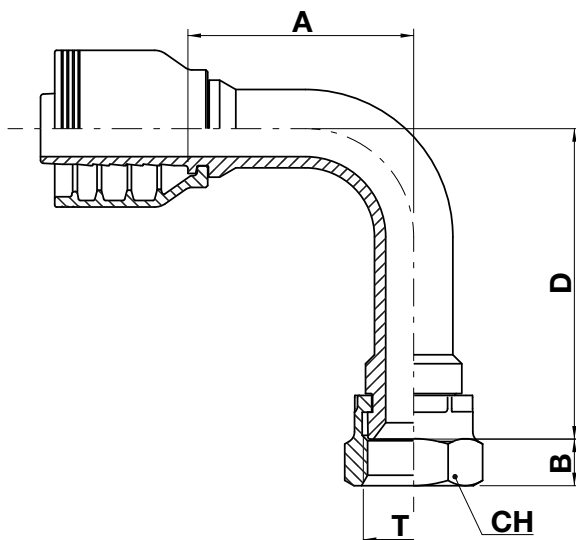
FJ91J-L FJ96J-L FJ93J-L FJ92J-L

J

JIC 37° female swivel - 90° elbow (long drop)

NO SKIVE

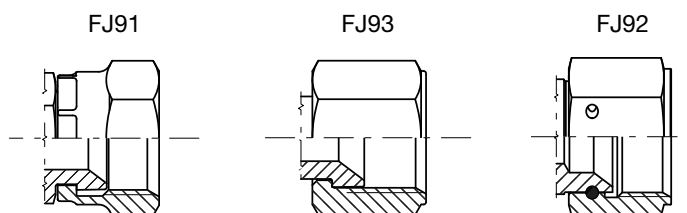
ISO 8434-2 / SAE J514



- FITTINGS**
- NPTF
 - JIC**
 - ORFS
 - SAE
 - JIS
 - BSP-BSPT
 - METRIC
 - SAE 3000 CODE 61
 - SAE 6000 CODE 62
 - TAPERED SAE
 - SUPERCAT STYLE
 - STAPLE LOCK
 - H.P. STAPLE LOCK
 - LOK-IT

code	ø hose			T	A		B		D		CH		
	dn	inch	size		mm	in	mm	in	mm	in	mm	in	↻ in
FJ91J-06-06-L	10	3/8"	06	9/16"-18	27,8	1,09	9,5	0,37	56,0	2,20	19,0	0,748	3/4"
FJ96J-06-06-L	10	3/8"	06	9/16"-18	35,5	1,40	9,5	0,37	56,0	2,20	17,46	0,687	11/16"
FJ93J-06-08-L	10	3/8"	06	3/4"-16	35,0	1,38	10,7	0,42	62,0	2,44	22,0	0,866	7/8"
FJ91J-08-08-L	12	1/2"	08	3/4"-16	39,5	1,56	10,7	0,42	62,0	2,44	22,0	0,866	7/8"
FJ91J-10-10-65	16	5/8"	10	7/8"-14	54,0	2,13	12,5	0,49	65,0	2,56	27,0	1,063	1.1/16"
FJ91J-10-10-L	16	5/8"	10	7/8"-14	54,0	2,13	12,5	0,49	70,0	2,76	27,0	1,063	1.1/16"
FJ91J-10-12-L	16	5/8"	10	1.1/16"-12	55,0	2,16	14,3	0,56	96,0	3,78	32,0	1,260	1.1/4"
FJ91J-12-12-L	19	3/4"	12	1.1/16"-12	55,5	2,19	14,3	0,56	96,0	3,78	32,0	1,260	1.1/4"
FJ91J-16-16-110	25	1"	16	1.5/16"-12	75,5	2,97	15,1	0,61	110,0	4,33	38,0	1,496	1.1/2"
FJ91J-16-16-L	25	1"	16	1.5/16"-12	75,5	2,97	15,1	0,61	114,0	4,49	38,0	1,496	1.1/2"
FJ92J-16-20-L	25	1"	16	1.5/8"-12	79,5	3,13	16,0	0,63	129,0	5,07	50,0	1,969	2"
FJ92J-20-20-L	31	1.1/4"	20	1.5/8"-12	87,5	3,44	16,0	0,63	129,0	5,07	50,0	1,969	2"

Nut type



For multispiral and wire braid hoses

J

KJ91J

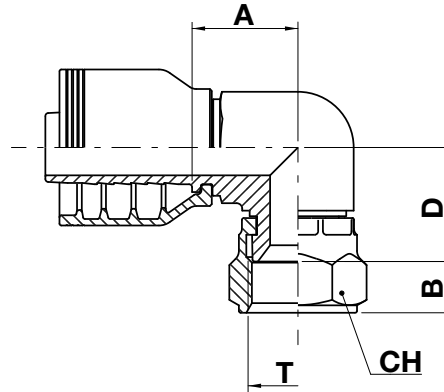
JIC 37° female swivel - 90° elbow (compact forged)

NO SKIVE

ISO 8434-2 / SAE J514

FITTINGS

- NPTF
- JIC**
- ORFS
- SAE
- JIS
- BSP-BSPT
- METRIC
- SAE 3000 CODE 61
- SAE 6000 CODE 62
- TAPERED SAE
- SUPERCAT STYLE
- STAPLE LOCK
- H.P. STAPLE LOCK
- LOK-IT



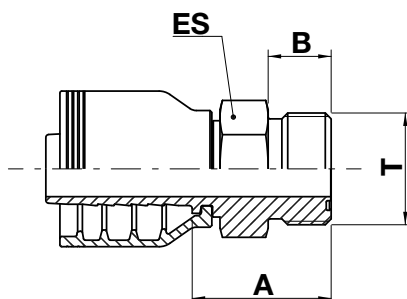
code	ø hose			T	A		B		D		CH		
	dn	inch	size		mm	in	mm	in	mm	in	mm	in	↗ in
KJ91J-06-06	10	3/8"	06	9/16"-18	21,5	0,85	8,5	0,33	23,0	0,91	19,0	0,748	3/4"
KJ91J-06-08	10	3/8"	06	3/4"-16	21,5	0,85	10,5	0,41	24,9	0,98	22,0	0,866	7/8"
KJ91J-08-08	12	1/2"	08	3/4"-16	25,5	1,00	9,5	0,37	26,9	1,06	22,0	0,866	7/8"
KJ91J-08-10	12	1/2"	08	7/8"-14	25,5	1,00	13,0	0,51	28,3	1,11	27,0	1,063	1.1/16"
KJ91J-10-10	16	5/8"	10	7/8"-14	25,5	1,00	13,0	0,51	27,7	1,09	27,0	1,063	1.1/16"
KJ91J-12-12	19	3/4"	12	1.1/16"-12	28,5	1,12	14,3	0,56	30,7	1,21	32,0	1,260	1.1/4"
KJ91J-16-16	25	1"	16	1.5/16"-12	34,0	1,34	14,5	0,57	32,5	1,28	38,0	1,496	1.1/2"

OM10J*

ORFS male

NO SKIVE

ISO 8434-3 / SAE J1453



J

FITTINGS

- NPTF
- JIC
- ORFS**
- SAE
- JIS
- BSP-BSPT
- METRIC
- SAE 3000 CODE 61
- SAE 6000 CODE 62
- TAPERED SAE
- SUPERCAT STYLE
- STAPLE LOCK
- H.P. STAPLE LOCK
- LOK-IT

code	ø hose			T	A		B		ES		
	dn	inch	size		mm	in	mm	in	mm	in	↗ in
OM10J-06-06	10	3/8"	06	11/16"-16	26,5	1,04	11,2	0,44	19,0	0,748	3/4"
OM10J-06-08	10	3/8"	06	13/16"-16	29,0	1,14	13,2	0,52	22,0	0,866	7/8"
OM10J-08-08	12	1/2"	08	13/16"-16	29,5	1,16	13,2	0,52	22,0	0,866	7/8"
OM10J-08-10	12	1/2"	08	1"-14	34,0	1,34	15,7	0,62	27,0	1,063	1.1/16"
OM10J-08-12	12	1/2"	08	1.3/16"-12	37,0	1,46	17,0	0,67	32,0	1,260	1.1/4"
OM10J-10-08	16	5/8"	10	1.3/16"-12	29,5	1,16	13,2	0,52	22,0	0,866	7/8"
OM10J-10-10	16	5/8"	10	1"-14	34,0	1,34	15,7	0,62	27,0	1,063	1.1/16"
OM10J-10-12	16	5/8"	10	1.3/16"-12	37,0	1,46	17,0	0,67	32,0	1,260	1.1/4"
OM10J-12-10	19	3/4"	12	1"-14	34,5	1,36	15,7	0,62	27,0	1,063	1.1/16"
OM10J-12-12	19	3/4"	12	1.3/16"-12	37,5	1,48	17,0	0,67	32,0	1,260	1.1/4"
OM10J-12-16	19	3/4"	12	1.7/16"-12	40,0	1,57	17,5	0,69	41,0	1,614	1.5/8"
OM10J-16-16	25	1"	16	1.7/16"-12	41,5	1,63	17,5	0,69	41,0	1,614	1.5/8"
OM10J-16-20	25	1"	16	1.11/16"-12	41,5	1,63	17,5	0,69	46,0	1,811	1.13/16"
OM10J-20-16	31	1.1/4"	20	1.7/16"-12	43,5	1,71	17,5	0,69	41,0	1,614	1.5/8"
OM10J-20-20	31	1.1/4"	20	1.11/16"-12	43,5	1,71	17,5	0,69	46,0	1,811	1.13/16"
OM10J-24-24	38	1.1/2"	24	2"-12	425	1,67	17,5	0,69	55,0	2,165	2.3/16"

* OM13J complete with O-ring

OR13J OR12J



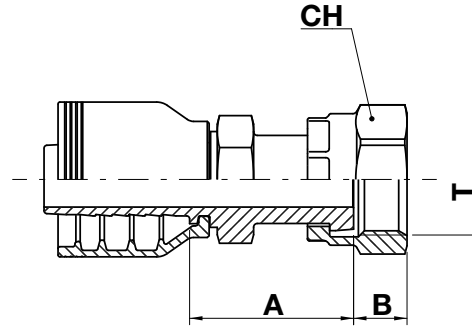
ORFS female swivel

NO SKIVE

ISO 8434-3 / SAE J1453

FITTINGS

- NPTF
- JIC
- ORFS**
- SAE
- JIS
- BSP-BSPT
- METRIC
- SAE 3000 CODE 61
- SAE 6000 CODE 62
- TAPERED SAE
- SUPERCAT STYLE
- STAPLE LOCK
- H.P. STAPLE LOCK
- LOK-IT



code	ø hose			T	A		B		ES			CH		
	dn	inch	size		mm	in	mm	in	mm	in	↻ in	mm	in	↻ in
OR13J-06-06	10	3/8"	06	11/16"-16	32,0	1,26	9,5	0,37	17,0	0,669	11/16"	22,0	0,866	7/8"
OR13J-06-08	10	3/8"	06	13/16"-16	36,5	1,44	11,0	0,43	19,0	0,748	3/4"	24,0	0,945	15/16"
OR13J-08-06	12	1/2"	08	11/16"-16	31,5	1,24	9,5	0,37	19,0	0,748	3/4"	22,0	0,866	7/8"
OR13J-08-08	12	1/2"	08	13/16"-16	35,0	1,38	11,0	0,43	19,0	0,748	3/4"	24,0	0,945	15/16"
OR13J-08-10	12	1/2"	08	1"-14	39,0	1,54	13,5	0,53	24,0	0,945	15/16"	30,0	1,181	1.3/16"
OR13J-08-12	12	1/2"	08	1.3/16"-12	44,0	1,73	14,5	0,57	30,0	1,181	1.3/16"	36,0	1,417	1.7/16"
OR13J-10-10	16	5/8"	10	1"-14	39,0	1,54	13,5	0,53	24,0	0,945	15/16"	30,0	1,181	1.3/16"
OR13J-10-12	16	5/8"	10	1.3/16"-12	44,0	1,73	14,5	0,57	30,0	1,181	1.3/16"	36,0	1,417	1.7/16"
OR13J-12-10	19	3/4"	12	1"-14	42,0	1,65	13,5	0,53	27,0	1,063	1.1/16"	30,0	1,181	1.3/16"
OR13J-12-12	19	3/4"	12	1.3/16"-12	44,6	1,76	14,5	0,57	30,0	1,181	1.3/16"	36,0	1,417	1.7/16"
OR13J-12-16	19	3/4"	12	1.7/16"-12	51,5	2,03	14,8	0,58	36,0	1,417	1.7/16"	41,0	1,614	1.5/8"
OR13J-16-12	25	1"	16	1.3/16"-12	51,0	2,01	14,5	0,57	36,0	1,417	1.7/16"	36,0	1,417	1.7/16"
OR13J-16-16	25	1"	16	1.7/16"-12	52,5	2,07	14,8	0,58	36,0	1,417	1.7/16"	41,0	1,614	1.5/8"
OR12J-16-20	25	1"	16	1.11/16"-12	55,0	2,17	14,8	0,58	41,0	1,614	1.5/8"	50,0	1,969	2"
OR12J-20-20	31	1.1/4"	20	1.11/16"-12	56,0	2,20	14,8	0,58	41,0	1,614	1.5/8"	50,0	1,969	2"
OR12J-20-24	31	1.1/4"	20	2"-12	56,0	2,20	14,8	0,58	50,0	1,969	2"	60,0	2,362	2.3/8"
OR12J-24-24	38	1.1/2"	24	2"-12	60,0	2,36	14,8	0,58	50,0	1,969	2"	60,0	2,362	2.3/8"



For multispiral and wire braid hoses

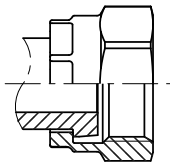
← **OR13J OR12J**

J

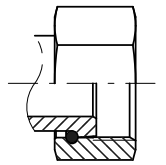
NO SKIVE

Nut type

OR13



OR12



FITTINGS

- NPTF
- JIC
- ORFS**
- SAE
- JIS
- BSP-BSPT
- METRIC
- SAE 3000 CODE 61
- SAE 6000 CODE 62
- TAPERED SAE
- SUPERCAT STYLE
- STAPLE LOCK
- H.P. STAPLE LOCK
- LOK-IT



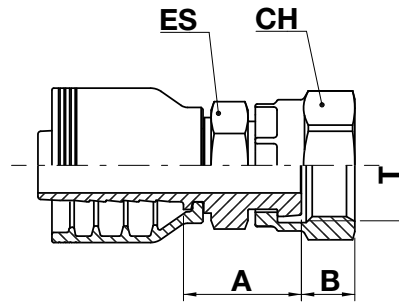
For multispiral and wire braid hoses

OR11J

ORFS short female swivel

NO SKIVE

ISO 8434-3 / SAE J1453



FITTINGS

NPTF
JIC
ORFS
SAE
JIS
BSP-BSPT
METRIC
SAE 3000 CODE 61
SAE 6000 CODE 62
TAPERED SAE
SUPERCAT STYLE
STAPLE LOCK
H.P. STAPLE LOCK
LOK-IT

code	ø hose			T	A		B		ES			CH		
	dn	inch	size		mm	in	mm	in	mm	in	↗ in	mm	in	↗ in
OR11J-06-06	10	3/8"	06	11/16"-16	23,5	0,92	9,5	0,37	17,0	0,669	11/16"	22,0	0,866	7/8"
OR11J-06-08	10	3/8"	06	13/16"-16	27,0	1,06	11,0	0,43	19,0	0,748	3/4"	24,0	0,945	15/16"
OR11J-08-08	12	1/2"	08	13/16"-16	27,5	1,08	11,0	0,43	19,0	0,748	3/4"	24,0	0,945	15/16"
OR11J-08-10	12	1/2"	08	1"-14	29,0	1,14	13,5	0,53	24,0	0,945	15/16"	30,0	1,181	1.3/16"
OR11J-10-10	16	5/8"	10	1"-14	29,0	1,14	13,5	0,53	24,0	0,945	15/16"	30,0	1,181	1.3/16"
OR11J-10-12	16	5/8"	10	1.3/16"-12	31,5	1,24	14,5	0,57	30,0	1,181	1.3/16"	36,0	1,417	1.7/16"
OR11J-12-12	19	3/4"	12	1.3/16"-12	32,0	1,26	14,5	0,57	30,0	1,181	1.3/16"	36,0	1,417	1.7/16"
OR11J-12-16	19	3/4"	12	1.7/16"-12	38,5	1,52	14,8	0,58	36,0	1,417	1.7/16"	41,0	1,614	1.5/8"
OR11J-16-16	25	1"	16	1.7/16"-12	40,0	1,57	14,8	0,58	36,0	1,417	1.7/16"	41,0	1,614	1.5/8"

For multispiral and wire braid hoses

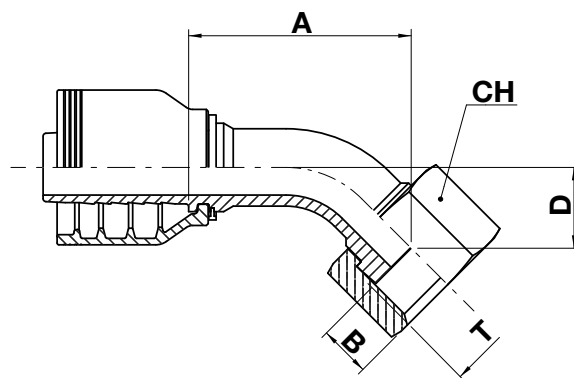
OR44J OR43J OR42J

J

ORFS female swivel - 45° elbow

NO SKIVE

ISO 8434-3 / SAE J1453

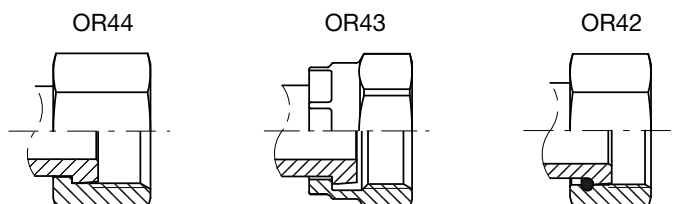


FITTINGS

- NPTF
- JIC
- ORFS**
- SAE
- JIS
- BSP-BSPT
- METRIC
- SAE 3000 CODE 61
- SAE 6000 CODE 62
- TAPERED SAE
- SUPERCAT STYLE
- STAPLE LOCK
- H.P. STAPLE LOCK
- LOK-IT

code	ø hose			T	A		B		D		CH		
	dn	inch	size		mm	in	mm	in	mm	in	mm	in	↗ in
OR44J-06-06	10	3/8"	6	9/16"-18	35,5	1,40	9,5	0,37	11,0	0,43	22,0	0,866	7/8"
OR44J-06-08	10	3/8"	6	11/16"-16	38,5	1,51	11,0	0,43	15,0	0,59	24,0	0,945	15/16"
OR43J-08-06	12	1/2"	08	11/16"-16	38,5	1,51	9,5	0,37	11,0	0,43	22,0	0,866	7/8"
OR44J-08-08	12	1/2"	08	13/16"-16	43,0	1,69	11,0	0,43	15,0	0,59	24,0	0,945	15/16"
OR44J-08-10	12	1/2"	08	1"-14	43,5	1,71	13,5	0,53	16,0	0,63	30,0	1,181	1.3/16"
OR43J-08-12	12	1/2"	08	1.3/16"-12	56,5	2,22	14,5	0,57	18,9	0,74	36,0	1,417	1.7/16"
OR44J-10-10	16	5/8"	10	1"-14	48,5	1,91	13,5	0,53	16,0	0,63	30,0	1,181	1.3/16"
OR44J-10-12	16	5/8"	10	1.3/16"-12	60,5	2,38	14,5	0,57	21,0	0,83	36,0	1,417	1.7/16"
OR43J-12-10	19	3/4"	12	1"-14	67,5	2,65	13,5	0,53	15,0	0,59	30,0	1,181	1.3/16"
OR44J-12-12	19	3/4"	12	1.3/16"-12	62,0	2,44	14,5	0,57	21,0	0,83	36,0	1,417	1.7/16"
OR44J-12-16	19	3/4"	12	1.7/16"-12	63,0	2,48	14,8	0,58	24,0	0,94	41,0	1,614	1.5/8"
OR44J-16-16	25	1"	16	1.7/16"-12	73,0	2,87	14,8	0,58	24,0	0,94	41,0	1,614	1.5/8"
OR42J16-20	25	1"	16	1.11/16"-12	91,5	3,60	14,8	0,58	37,0	1,45	50,0	1,969	2"
OR42J-20-20	31	1.1/4"	20	1.11/16"-12	97,0	3,82	14,8	0,58	37,0	1,45	50,0	1,969	2"
OR42J-24-24	38	1.1/2"	24	2"-12	120,5	4,74	14,8	0,58	44,0	1,73	60,0	2,362	2.3/8"

Nut type



For multispiral and wire braid hoses

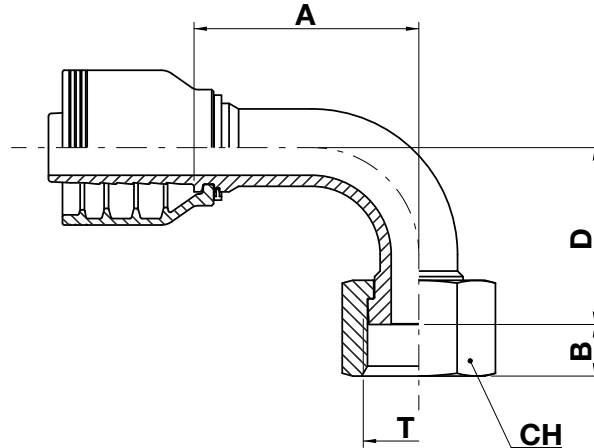
OR94J OR93J OR92J



ORFS female swivel - 90° elbow

NO SKIVE

ISO 8434-3 / SAE J1453



FITTINGS

- NPTF
- JIC
- ORFS**
- SAE
- JIS
- BSP-BSPT
- METRIC
- SAE 3000 CODE 61
- SAE 6000 CODE 62
- TAPERED SAE
- SUPERCAT STYLE
- STAPLE LOCK
- H.P. STAPLE LOCK
- LOK-IT

code	ø hose			T	A		B		D		CH		
	dn	inch	size		mm	in	mm	in	mm	in	mm	in	↻ in
OR94J-06-06	10	3/8"	06	11/16"-16	31,5	1,24	9,5	0,37	24,0	0,94	22,0	0,866	7/8"
OR94J-06-08	10	3/8"	06	13/16"-16	31,5	1,24	11,0	0,43	30,0	1,18	24,0	0,945	15/16"
OR93J-08-06	12	1/2"	08	11/16"-16	37,0	1,46	11,0	0,43	23,0	0,91	22,0	0,866	7/8"
OR94J-08-08	12	1/2"	08	13/16"-16	44,5	1,75	11,0	0,43	29,0	1,14	24,0	0,945	15/16"
OR94J-08-10	12	1/2"	08	1"-14	37,5	1,48	13,5	0,53	33,0	1,30	30,0	1,181	1.3/16"
OR94J-08-12	12	1/2"	08	1.3/16"-12	42,5	1,67	14,5	0,57	48,0	1,61	36,0	1,417	1.7/16"
OR93J-10-08	16	5/8"	10	13/16"-16	42,5	1,67	11,0	0,43	29,0	1,14	24,0	0,945	15/16"
OR94J-10-10	16	5/8"	10	1"-14	46,5	1,83	13,5	0,53	32,0	1,26	30,0	1,181	1.3/16"
OR94J-10-12	16	5/8"	10	1.3/16"-12	53,5	2,11	14,5	0,57	48,0	1,89	36,0	1,417	1.7/16"
OR93J-12-10	19	3/4"	12	1"-14	50,5	2,00	13,5	0,53	32,0	1,26	30,0	1,181	1.3/16"
OR94J-12-12	19	3/4"	12	1.3/16"-12	61,0	2,40	14,5	0,57	48,0	1,89	36,0	1,417	1.7/16"
OR94J-12-16	19	3/4"	12	1.7/16"-12	57,0	2,24	13,8	0,54	56,0	2,20	41,0	1,614	1.5/8"
OR93J-16-12	25	1"	16	1.3/16"-12	63,0	2,48	14,5	0,57	48,0	1,89	36,0	1,417	1.7/16"
OR94J-16-16	25	1"	16	1.7/16"-12	71,0	2,80	13,8	0,54	56,0	2,20	41,0	1,614	1.5/8"
OR93J-20-16	31	1.1/4"	20	1.7/16"-12	79,0	3,11	14,5	0,57	56,0	2,16	41,0	1,614	1.5/8"
OR92J-20-20	31	1.1/4"	20	1.11/16"-12	82,0	3,22	14,8	0,58	66,0	2,60	50,0	1,969	2"
OR92J-24-24	38	1.1/2"	24	2"-12	105,0	4,13	14,8	0,58	94,0	3,70	60,0	2,362	2.3/8"

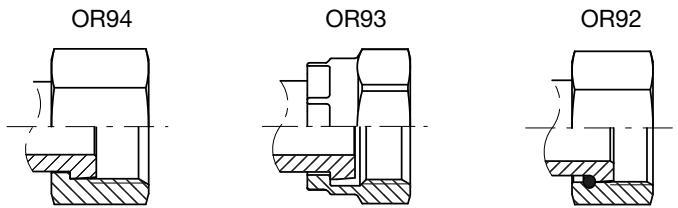


For multispiral and wire braid hoses

← **OR94J** OR93J OR92J

J

Nut type



FITTINGS

- NPTF
- JIC
- ORFS**
- SAE
- JIS
- BSP-BSPT
- METRIC
- SAE 3000 CODE 61
- SAE 6000 CODE 62
- TAPERED SAE
- SUPERCAT STYLE
- STAPLE LOCK
- H.P. STAPLE LOCK
- LOK-IT



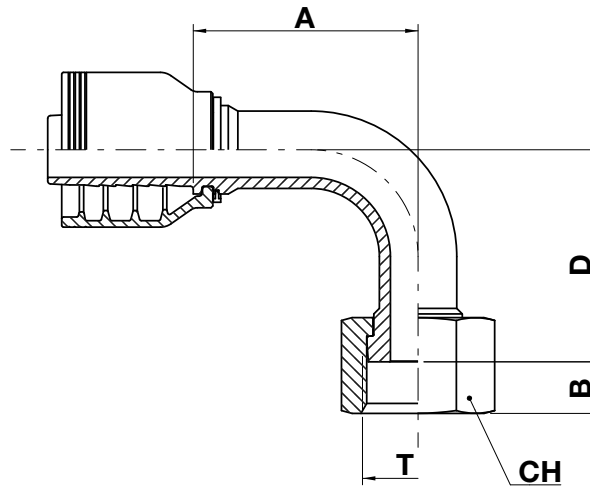
For multispiral and wire braid hoses

OR94J-M OR92J-M

ORFS female swivel - 90° elbow (medium drop)

NO SKIVE

ISO 8434-3 / SAE J1453

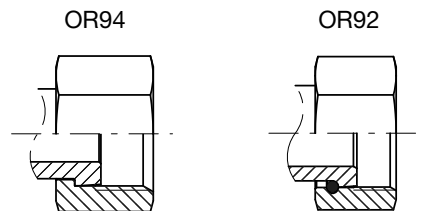


FITTINGS

- NPTF
- JIC
- ORFS**
- SAE
- JIS
- BSP-BSPT
- METRIC
- SAE 3000 CODE 61
- SAE 6000 CODE 62
- TAPERED SAE
- SUPERCAT STYLE
- STAPLE LOCK
- H.P. STAPLE LOCK
- LOK-IT

code	ø hose			T	A		B		D		CH		
	dn	inch	size		mm	in	mm	in	mm	in	mm	in	↻ in
OR94J-06-06-M	10	3/8"	06	11/16"-16	31,5	1,24	9,5	0,37	38,0	1,50	22,0	0,866	7/8"
OR94J-06-08-M	10	3/8"	06	13/16"-16	34,0	1,34	11,0	0,43	41,0	1,61	24,0	0,945	15/16"
OR94J-08-08-M	12	1/2"	08	13/16"-16	40,0	1,57	11,0	0,43	41,0	1,61	24,0	0,945	15/16"
OR94J-10-10-M	16	5/8"	10	1"-14	53,5	2,10	13,5	0,53	47,0	1,85	30,0	1,181	1.3/16"
OR94J-12-12-M	19	3/4"	12	1.3/16"-12	61,0	2,40	14,5	0,57	58,0	2,28	36,0	1,417	1.7/16"
OR94J-16-16-M	25	1"	16	1.7/16"-12	74,0	2,91	13,8	0,54	71,0	2,79	41,0	1,614	1.5/8"
OR92J-20-20-M	31	1.1/2"	20	1.11/16"-12	85,5	3,36	14,8	0,58	78,0	3,07	50,0	1,969	2"

Nut type

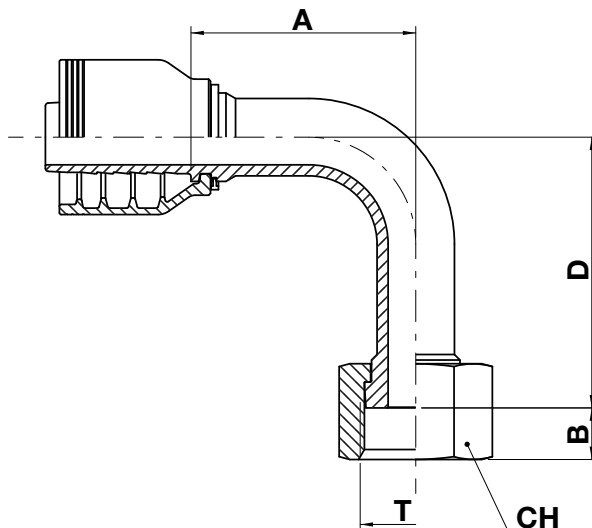


OR94J-L OR92J-L

ORFS female swivel - 90° elbow (long drop)

NO SKIVE

ISO 8434-3 / SAE J1453

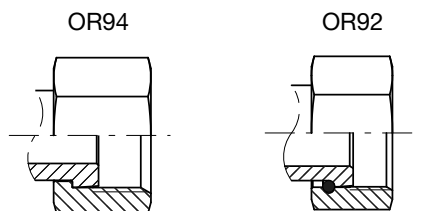


FITTINGS

- NPTF
- JIC
- ORFS**
- SAE
- JIS
- BSP-BSPT
- METRIC
- SAE 3000 CODE 61
- SAE 6000 CODE 62
- TAPERED SAE
- SUPERCAT STYLE
- STAPLE LOCK
- H.P. STAPLE LOCK
- LOK-IT

code	ø hose			T	A		B		D		CH		
	dn	inch	size		mm	in	mm	in	mm	in	mm	in	↻ in
OR94J-06-06-L	10	3/8"	06	11/16"-16	31,5	1,24	9,5	0,37	54,0	2,12	22,0	0,866	7/8"
OR94J-06-08-L	10	3/8"	06	13/16"-16	31,5	1,24	11,0	0,43	64,0	2,52	24,0	0,945	15/16"
OR94J-08-08-L	12	1/2"	08	13/16"-16	40,0	1,57	11,0	0,43	64,0	2,52	24,0	0,945	15/16"
OR94J-10-10-L	16	5/8"	10	1"-14	53,5	2,10	13,5	0,53	70,0	2,75	30,0	1,181	1.3/16"
OR94J-12-12-L	19	3/4"	12	1.3/16"-12	61,0	2,40	14,5	0,57	96,0	3,78	36,0	1,417	1.7/16"
OR94J-16-16-L	25	1"	16	1.7/16"-12	70,3	2,77	13,8	0,54	114,0	4,49	41,0	1,614	1.5/8"
OR92J-20-20-L	31	1.1/2"	20	1.11/16"-12	85,5	3,36	14,8	0,58	129,0	5,08	50,0	1,969	2"

Nut type



For multispiral and wire braid hoses

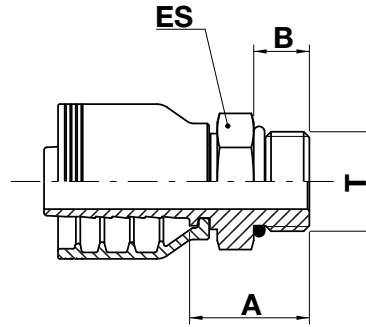
J

ME10J*

O-ring boss male

NO SKIVE

SAE J1926



FITTINGS

- NPTF
- JIC
- ORFS
- SAE**
- JIS
- BSP-BSPT
- METRIC
- SAE 3000 CODE 61
- SAE 6000 CODE 62
- TAPERED SAE
- SUPERCAT STYLE
- STAPLE LOCK
- H.P. STAPLE LOCK
- LOK-IT

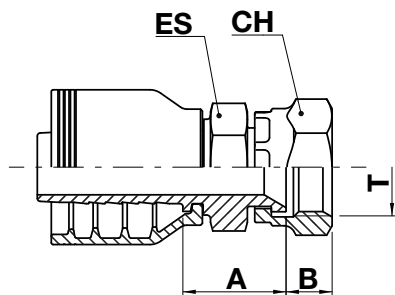
code	ø hose			T	A		B		ES		
	dn	inch	size		mm	in	mm	in	mm	in	in
ME10J-06-06	10	3/8"	06	9/16"-18	24,5	0,96	9,95	0,39	17,0	0,669	11/16"
ME10J-06-08	10	3/8"	06	3/4"-16	26,5	1,04	11,1	0,44	22,0	0,866	7/8"
ME10J-08-08	12	1/2"	08	3/4"-16	27,0	1,06	11,1	0,44	22,0	0,866	7/8"
ME10J-10-10	16	5/8"	10	7/8"-14	29,0	1,14	12,7	0,50	27,0	1,063	1.1/16"
ME10J-10-12	16	5/8"	10	1.1/16"-12	32,0	1,26	15,0	0,59	32,0	1,260	1.1/4"
ME10J-12-12	19	3/4"	12	1.1/16"-12	32,5	1,28	15,1	0,59	32,0	1,260	1.1/4"
ME10J-16-16	25	1"	16	1.5/16"-12	39,1	1,54	15,1	0,59	38,0	1,496	1.1/2"

* Complete with O-ring

FT11J

Japanese "T" style termination female swivel 60° cone

NO SKIVE



J

FITTINGS

- NPTF
- JIC
- ORFS
- SAE
- JIS**
- BSP-BSPT
- METRIC
- SAE 3000 CODE 61
- SAE 6000 CODE 62
- TAPERED SAE
- SUPERCAT STYLE
- STAPLE LOCK
- H.P. STAPLE LOCK
- LOK-IT

code	ø hose			T	A		B		ES			CH		
	dn	inch	size		mm	in	mm	in	mm	in	↗ in	mm	in	↗ in
FT11J-06-06	10	3/8"	06	3/8"-19	22,0	0,87	9,5	0,37	19,0	0,748	3/4"	22,0	0,866	7/8"
FT11J-08-08	12	1/2"	08	1/2"-14	25,8	1,02	11,0	0,43	22,0	0,866	7/8"	27,0	1,063	1.1/16"
FT11J-12-12	19	3/4"	12	3/4"-14	29,5	1,16	12,5	0,49	30,0	1,181	1.3/16"	32,0	1,260	1.1/4"
FT11J-16-16	25	1"	16	1"-11	33,0	1,30	14,0	0,55	32,0	1,260	1.1/4"	38,0	1,496	1.1/2"

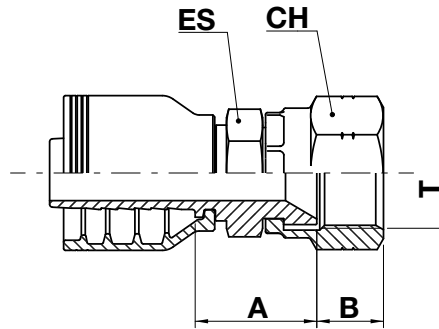


Japanese “KOM” style termination female swivel 60° cone

NO SKIVE

FITTINGS

- NPTF
- JIC
- ORFS
- SAE
- JIS**
- BSP-BSPT
- METRIC
- SAE 3000 CODE 61
- SAE 6000 CODE 62
- TAPERED SAE
- SUPERCAT STYLE
- STAPLE LOCK
- H.P. STAPLE LOCK
- LOK-IT



code	ø hose			T	A		B		ES			CH		
	dn	inch	size		mm	in	mm	in	mm	in	↗ in	mm	in	↗ in
FK11J-06-14	10	3/8"	06	M14X1,5	25,0	0,98	10,0	0,39	19,0	0,748	3/4"	19,0	0,748	3/4"
FK11J-06-16	10	3/8"	06	M16X1,5	23,0	0,91	9,3	0,37	19,0	0,748	3/4"	22,0	0,866	7/8"
FK11J-06-18	10	3/8"	06	M18X1,5	24,0	0,94	11,5	0,45	19,0	0,748	3/4"	24,0	0,945	15/16"
FK11J-06-20	10	3/8"	06	M20X1,5	25,5	1,00	11,2	0,44	19,0	0,748	3/4"	27,0	1,063	1.1/16"
FK11J-06-22	10	3/8"	06	M22X1,5	25,5	1,00	14,0	0,55	19,0	0,748	3/4"	27,0	1,063	1.1/16"
FK11J-08-22	12	1/2"	08	M22X1,5	27,0	1,06	14,0	0,55	22,0	0,866	7/8"	27,0	1,063	1.1/16"
FK11J-08-24	12	1/2"	08	M24X1,5	30,2	1,19	15,1	0,59	24,0	0,945	15/16"	32,0	1,260	1.1/4"
FK11J-10-24	16	5/8"	10	M24X1,5	28,5	1,12	15,1	0,59	24,0	0,945	15/16"	32,0	1,260	1.1/4"
FK11J-12-24	19	3/4"	12	M24X1,5	31,0	1,22	15,1	0,59	27,0	1,063	1.1/16"	32,0	1,260	1.1/4"
FK11J-12-30	19	3/4"	12	M30X1,5	33,0	1,29	18,3	0,72	30,0	1,181	1.3/16"	36,0	1,417	1.7/16"
FK11J-12-33	19	3/4"	12	M33X1,5	33,7	1,33	21,3	0,84	32,0	1,260	1.1/4"	41,0	1,614	1.5/8"
FK11J-12-36	19	3/4"	12	M36X1,5	34,7	1,37	20,0	0,79	41,0	1,614	1.5/8"	46,0	1,811	1.13/16"
FK11J-16-33	25	1"	16	M33X1,5	34,7	1,37	21,3	0,84	32,0	1,260	1.1/4"	41,0	1,614	1.5/8"
FK11J-16-36	25	1"	16	M36X1,5	36,0	1,42	16,0	0,63	41,0	1,614	1.5/8"	46,0	1,811	1.13/16"
FK11J-20-36	31	1.1/4"	20	M36X1,5	40,0	1,57	20,0	0,79	41,0	1,614	1.5/8"	46,0	1,811	1.13/16"
FK12J-20-42	31	1.1/4"	20	M42X1,5	47,0	1,85	18,8	0,74	50,0	1,969	2"	55,0	2,165	2.3/16"
FK12J-24-42	38	1.1/2"	24	M42X1,5	44,0	1,73	18,8	0,74	50,0	1,969	2"	55,0	2,165	2.3/16"

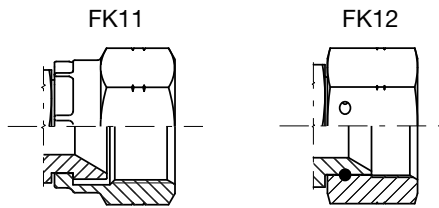


For multispiral and wire braid hoses

← **FK11J FK12J**

J

Nut type



FITTINGS

- NPTF
- JIC
- ORFS
- SAE
- JIS**
- BSP-BSPT
- METRIC
- SAE 3000 CODE 61
- SAE 6000 CODE 62
- TAPERED SAE
- SUPERCAT STYLE
- STAPLE LOCK
- H.P. STAPLE LOCK
- LOK-IT



For multispiral and wire braid hoses

J

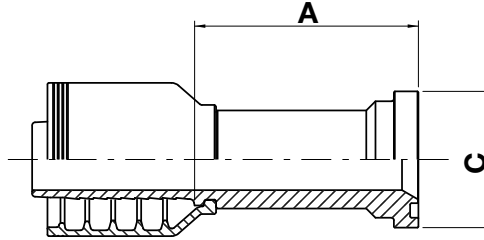
AK10J

Japanese “KOM” style termination straight flange
(for metric O-ring)

NO SKIVE

FITTINGS

- NPTF
- JIC
- ORFS
- SAE
- JIS**
- BSP-BSPT
- METRIC
- SAE 3000 CODE 61
- SAE 6000 CODE 62
- TAPERED SAE
- SUPERCAT STYLE
- STAPLE LOCK
- H.P. STAPLE LOCK
- LOK-IT

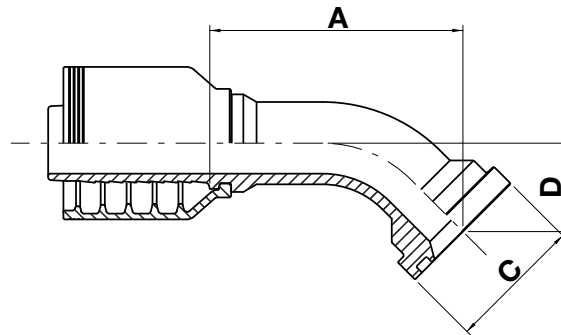


code	ø hose			flange	A		C	
	dn	inch	size		mm	in	mm	in
AK10J-10-10	16	5/8"	10	5/8"	65,0	2,56	34,2	1,35
AK10J-12-12	19	3/4"	12	3/4"	70,5	2,78	38,0	1,50
AK10J-12-16	19	3/4"	12	1"	72,5	2,86	44,5	1,75
AK10J-16-16	25	1"	16	1"	73,0	2,87	44,5	1,75
AK10J-16-20	25	1"	16	1.1/4"	80,0	3,15	50,8	2,00
AK10J-20-20	31	1.1/4"	20	1.1/4"	83,0	3,27	50,8	2,00
AK10J-24-24	38	1.1/2"	24	1.1/2"	91,0	3,58	60,3	2,37
AK10J-32-32	51	2"	32	2"	125,0	4,92	71,4	2,81

AK40J

Japanese "KOM" style termination - 45° elbow flange
(for metric O-ring)

NO SKIVE



FITTINGS

- NPTF
- JIC
- ORFS
- SAE
- JIS**
- BSP-BSPT
- METRIC
- SAE 3000 CODE 61
- SAE 6000 CODE 62
- TAPERED SAE
- SUPERCAT STYLE
- STAPLE LOCK
- H.P. STAPLE LOCK
- LOK-IT

code	ø hose			flange	A		C		D	
	dn	inch	size		mm	in	mm	in	mm	in
AK40J-10-10	16	5/8"	10	5/8"	66,5	2,61	34,2	1,35	25,0	0,98
AK40J-12-12	19	3/4"	12	3/4"	69,0	2,72	38,0	1,50	27,0	1,06
AK40J-12-16	19	3/4"	12	1"	71,5	2,81	44,5	1,75	32,0	1,26
AK40J-16-16	25	1"	16	1"	83,0	3,27	44,4	1,75	29,0	1,14
AK40J-16-20	25	1"	16	1.1/4"	86,0	3,38	50,8	2,00	31,0	1,22
AK40J-20-20	31	1.1/4"	20	1.1/4"	89,0	3,50	50,8	2,00	31,0	1,22
AK40J-24-24	38	1.1/2"	24	1.1/2"	105,0	4,13	60,3	2,37	39,4	1,55
AK40J-32-32	51	2"	32	2"	164,0	6,46	71,4	2,81	52,5	2,07

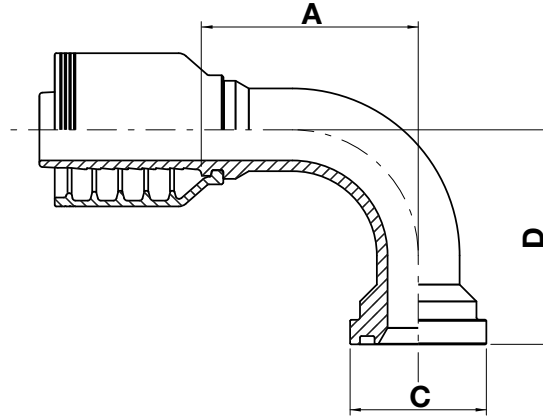
For multispiral and wire braid hoses

J

AK90J

Japanese “KOM” style termination - 90° elbow flange
(for metric O-ring)

NO SKIVE



FITTINGS

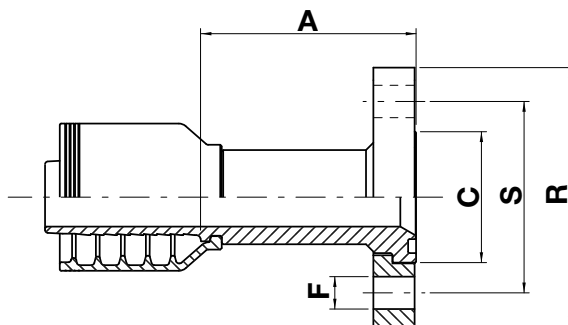
- NPTF
- JIC
- ORFS
- SAE
- JIS**
- BSP-BSPT
- METRIC
- SAE 3000 CODE 61
- SAE 6000 CODE 62
- TAPERED SAE
- SUPERCAT STYLE
- STAPLE LOCK
- H.P. STAPLE LOCK
- LOK-IT

code	ø hose			flange	A		C		D	
	dn	inch	size		mm	in	mm	in	mm	in
AK90J-10-10	16	5/8"	10	5/8"	60,5	2,38	34,2	1,35	55,0	2,17
AK90J-12-12	19	3/4"	12	3/4"	62,5	2,46	38,0	1,50	56,5	2,22
AK90J-12-16	19	3/4"	12	1"	76,5	3,01	44,5	1,75	61,0	2,40
AK90J-16-16	25	1"	16	1"	70,6	2,78	44,4	1,75	70,0	2,76
AK90J-20-20	31	1.1/4"	20	1.1/4"	102,9	4,05	50,8	2,00	80,0	3,15
AK90J-24-24	38	1.1/2"	24	1.1/2"	118,0	4,65	60,3	2,37	110,0	4,33
AK90J-32-32	51	2"	32	2"	154,0	6,06	71,4	2,81	140,0	5,51

AK13J

Japanese “KOM” style termination straight flange with 2 bolt
pre-assembled counterflange (for metric O-ring)

NO SKIVE



J

FITTINGS

- NPTF
- JIC
- ORFS
- SAE
- JIS**
- BSP-BSPT
- METRIC
- SAE 3000 CODE 61
- SAE 6000 CODE 62
- TAPERED SAE
- SUPERCAT STYLE
- STAPLE LOCK
- H.P. STAPLE LOCK
- LOK-IT

code	ø hose			flange	A		C		R		S		F	
	dn	inch	size		mm	in	mm	in	mm	in	mm	in	mm	in
AK13J-16-16	25	1"	16	1"	73,0	2,87	44,5	1,75	88,0	3,46	65,0	2,56	11,0	0,43
AK13J-20-20	31	1.1/4"	20	1.1/4"	83,0	3,27	50,8	2,00	102,0	4,02	75,0	2,95	13,5	0,53
AK13J-24-24	38	1.1/2"	24	1.1/2"	91,0	3,58	60,3	2,37	111,0	4,37	85,0	3,35	13,5	0,53

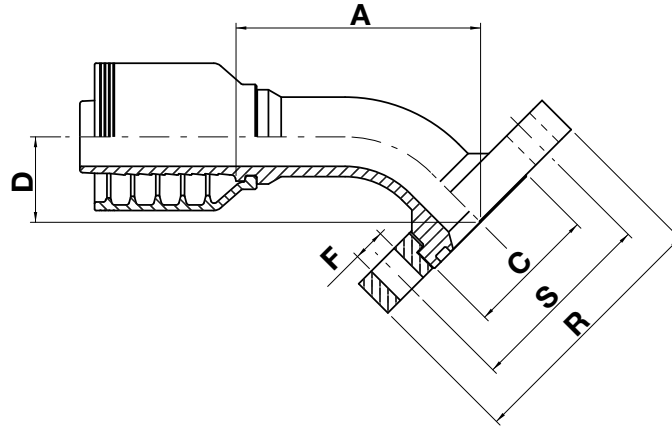
For multispiral and wire braid hoses

J

AK43J

Japanese “KOM” style termination - 45° elbow flange with 2 bolt pre-assembled counterflange (for metric O-ring)

NO SKIVE



FITTINGS

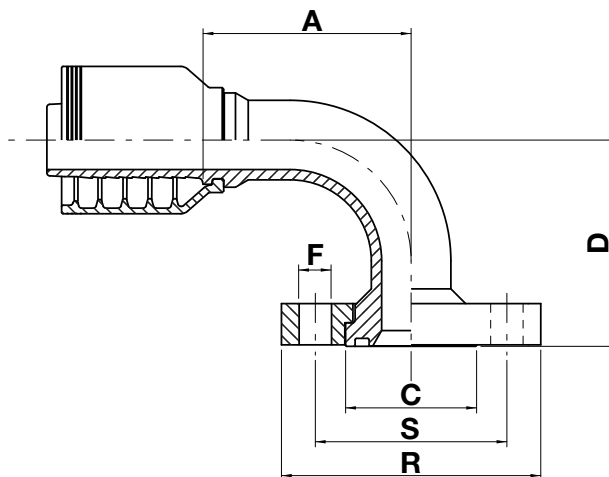
- NPTF
- JIC
- ORFS
- SAE
- JIS**
- BSP-BSPT
- METRIC
- SAE 3000 CODE 61
- SAE 6000 CODE 62
- TAPERED SAE
- SUPERCAT STYLE
- STAPLE LOCK
- H.P. STAPLE LOCK
- LOK-IT

code	ø hose			flange	A		C		D		R		S		F	
	dn	inch	size		mm	in	mm	in	mm	in	mm	in	mm	in	mm	in
AK43J-16-16	25	1"	16	1"	83,0	3,27	44,4	1,75	29,0	1,14	88,0	3,46	65,0	2,56	11,0	0,43
AK43J-20-20	31	1.1/4"	20	1.1/4"	89,0	3,50	50,8	2,00	31,0	1,22	102,0	4,02	75,0	2,95	13,5	0,53
AK43J-24-24	38	1.1/2"	24	1.1/2"	105,0	4,13	60,3	2,37	39,4	1,55	111,0	4,37	85,0	3,35	13,5	0,53

AK93J

Japanese “KOM” style termination - 90° elbow flange with 2 bolt pre-assembled counterflange (for metric O-ring)

NO SKIVE



J

FITTINGS

- NPTF
- JIC
- ORFS
- SAE
- JIS**
- BSP-BSPT
- METRIC
- SAE 3000 CODE 61
- SAE 6000 CODE 62
- TAPERED SAE
- SUPERCAT STYLE
- STAPLE LOCK
- H.P. STAPLE LOCK
- LOK-IT

code	ø hose			flange	A		C		D		R		S		F	
	dn	inch	size		mm	in	mm	in	mm	in	mm	in	mm	in	mm	in
AK93J-16-16	25	1"	16	1"	70,6	2,78	44,4	1,75	70,0	2,76	88,0	3,46	65,0	2,56	11,0	0,43
AK93J-20-20	31	1.1/4"	20	1.1/4"	102,9	4,05	50,8	2,00	80,0	3,15	102,0	4,02	75,0	2,95	13,5	0,53
AK93J-24-24	38	1.1/2"	24	1.1/2"	118,0	4,65	60,3	2,37	110,0	4,33	111,0	4,37	85,0	3,35	13,5	0,53

For multispiral and wire braid hoses

J

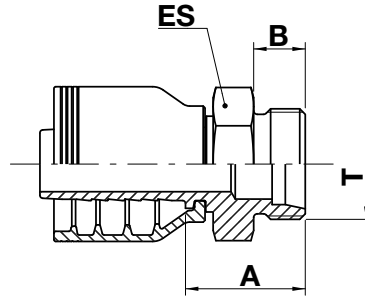
KC10J

“KOB” style male (24° cone seat)

NO SKIVE

FITTINGS

- NPTF
- JIC
- ORFS
- SAE
- JIS**
- BSP-BSPT
- METRIC
- SAE 3000 CODE 61
- SAE 6000 CODE 62
- TAPERED SAE
- SUPERCAT STYLE
- STAPLE LOCK
- H.P. STAPLE LOCK
- LOK-IT

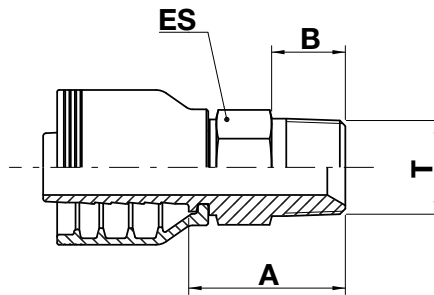


code	ø hose			T	A		B		ES		
	dn	inch	size		mm	in	mm	in	mm	in	↻ in
KC10J-12-30	19	3/4"	12	M30x1,5	32,5	1,28	14,0	0,55	36,0	1,417	1.7/16"
KC10J-12-36	19	3/4"	12	M36x1,5	36,5	1,44	16,0	0,63	41,0	1,614	1.5/8"
KC10J-16-36	25	1"	16	M36x1,5	38,0	1,50	16,0	0,63	41,0	1,614	1.5/8"
KC10J-16-45	25	1"	16	M45x1,5	40,0	1,57	16,0	0,63	50,0	1,969	2"

MT10J

BSPT tapered male 60° cone

NO SKIVE



J

FITTINGS

- NPTF
- JIC
- ORFS
- SAE
- JIS
- BSP-BSPT**
- METRIC
- SAE 3000 CODE 61
- SAE 6000 CODE 62
- TAPERED SAE
- SUPERCAT STYLE
- STAPLE LOCK
- H.P. STAPLE LOCK
- LOK-IT

code	ø hose			T	A		B		ES		
	dn	inch	size		mm	in	mm	in	mm	in	↻ in
MT10J-06-04	10	3/8"	06	1/4"-19	24,5	0,96	14,0	0,55	14,0	0,551	9/16"
MT10J-06-06	10	3/8"	06	3/8"-19	29,0	1,14	15,0	0,59	19,0	0,748	3/4"
MT10J-06-08	10	3/8"	06	1/2"-14	32,0	1,26	18,0	0,71	22,0	0,866	7/8"
MT10J-08-08	12	1/2"	08	1/2"-14	32,5	1,28	18,0	0,71	22,0	0,866	7/8"
MT10J-10-10	16	5/8"	10	5/8"-14	36,0	1,42	16,0	0,63	24,0	0,945	15/16"
MT10J-12-12	19	3/4"	12	3/4"-14	42,5	1,67	20,0	0,79	27,0	1,063	1.1/16"
MT10J-12-16	19	3/4"	12	1"-11	45,5	1,79	23,0	0,91	36,0	1,417	1.7/16"
MT10J-16-16	25	1"	16	1"-11	47,0	1,85	23,0	0,91	36,0	1,417	1.7/16"
MT10J-20-16	31	1.1/4"	20	1"-11	51,0	2,00	23,0	0,91	41,0	1,614	1.5/8"
MT10J-20-20	31	1.1/4"	20	1.1/4"-11	50,0	1,97	25,0	0,98	46,0	1,811	1.13/16"
MT10J-24-24	38	1.1/2"	24	1.1/2"-11	53,0	2,09	28,0	1,10	50,0	1,969	2"
MT10J-32-32	51	2"	32	2"-11	60,0	2,36	28,0	1,10	60,0	2,362	2.3/8"

For multispiral and wire braid hoses

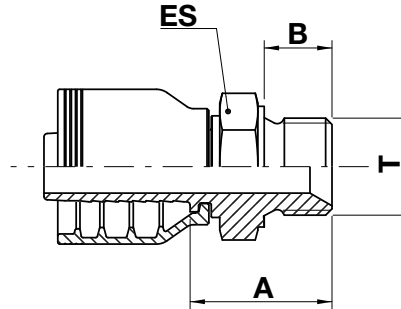
J

MB10J

BSP male 60° cone

NO SKIVE

ISO 8434-6 / BS 5200



FITTINGS

- NPTF
- JIC
- ORFS
- SAE
- JIS
- BSP-BSPT**
- METRIC
- SAE 3000 CODE 61
- SAE 6000 CODE 62
- TAPERED SAE
- SUPERCAT STYLE
- STAPLE LOCK
- H.P. STAPLE LOCK
- LOK-IT

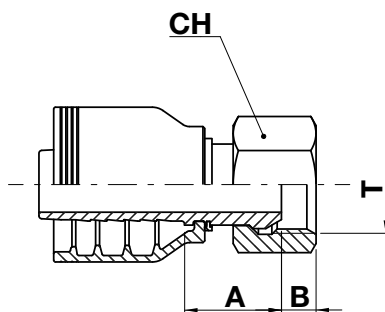
code	ø hose			T	A		B		ES		
	dn	inch	size		mm	in	mm	in	mm	in	 in
MB10J-06-06	10	3/8"	06	3/8"-19	28,5	1,12	12,0	0,47	22,0	0,866	7/8"
MB10J-06-08	10	3/8"	06	1/2"-14	33,5	1,32	14,0	0,55	27,0	1,063	1.1/16"
MB10J-08-08	12	1/2"	08	1/2"-14	34,0	1,34	14,0	0,55	27,0	1,063	1.1/16"
MB10J-10-10	16	5/8"	10	5/8"-14	33,5	1,32	16,0	0,63	30,0	1,181	1.3/16"
MB10J-10-12	16	5/8"	10	3/4"-14	36,0	1,42	16,0	0,63	32,0	1,260	1.1/4"
MB10J-12-12	19	3/4"	12	3/4"-14	36,5	1,44	16,0	0,63	32,0	1,260	1.1/4"
MB10J-16-16	25	1"	16	1"-11	42,0	1,65	19,0	0,75	41,0	1,614	1.5/8"
MB10J-20-20	31	1.1/4"	20	1.1/4"-11	48,0	1,89	20,0	0,79	50,0	1,969	2"
MB10J-24-24	38	1.1/2"	24	1.1/2"-11	50,0	1,97	22,0	0,87	55,0	2,165	2.3/16"
MB10J-32-32	51	2"	32	2"-11	63,5	2,50	25,0	0,98	70,0	2,756	2.3/4"

FB13J FB11J FB12J

BSPT female swivel 60° cone

NO SKIVE

ISO 8434-6 / BS 5200

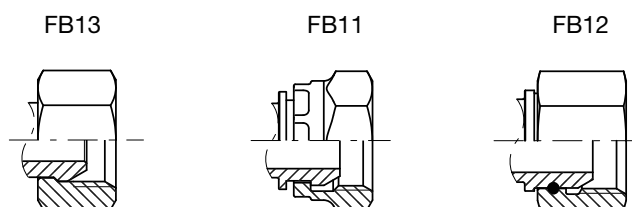


FITTINGS

- NPTF
- JIC
- ORFS
- SAE
- JIS
- BSP-BSPT**
- METRIC
- SAE 3000 CODE 61
- SAE 6000 CODE 62
- TAPERED SAE
- SUPERCAT STYLE
- STAPLE LOCK
- H.P. STAPLE LOCK
- LOK-IT

code	ø hose			T	A		B		CH		
	dn	inch	size		mm	in	mm	in	mm	in	↻ in
FB13J-06-06	10	3/8"	06	3/8"-19	18,5	0,73	6,0	0,24	22,0	0,866	7/8"
FB13J-06-08	10	3/8"	06	1/2"-14	20,5	0,81	6,5	0,26	27,0	1,063	1.1/16"
FB13J-08-08	12	1/2"	08	1/2"-14	21,0	0,83	6,5	0,26	27,0	1,063	1.1/16"
FB11J-08-10	12	1/2"	08	5/8"-14	18,0	0,71	9,5	0,37	27,0	1,063	1.1/16"
FB11J-10-10	16	5/8"	10	5/8"-14	18,0	0,71	9,5	0,37	27,0	1,063	1.1/16"
FB11J-10-12	16	5/8"	10	3/4"-14	21,3	0,84	8,7	0,34	32,0	1,260	1.1/4"
FB11J-12-12	19	3/4"	12	3/4"-14	21,8	0,86	8,7	0,34	32,0	1,260	1.1/4"
FB12J-12-16	19	3/4"	12	1"-11	27,0	1,06	10,5	0,41	38,0	1,496	1.1/2"
FB12J-16-16	25	1"	16	1"-11	28,5	1,12	10,5	0,41	38,0	1,496	1.1/2"
FB12J-16-20	25	1"	16	1.1/4"-11	37,0	1,46	10,0	0,39	50,0	1,969	2"
FB12J-20-16	31	1.1/4"	20	1"-11	31,0	1,22	10,5	0,41	38,0	1,496	1.1/2"
FB12J-20-20	31	1.1/4"	20	1.1/4"-11	36,0	1,42	10,0	0,39	50,0	1,969	2"
FB12J-24-24	38	1.1/2"	24	1.1/2"-11	35,8	1,41	12,0	0,47	55,0	2,165	2.3/16"
FB12J-32-32	51	2"	32	2"-11	40,0	1,57	16,0	0,63	70,0	2,756	2.3/4"

Nut type



For multispiral and wire braid hoses

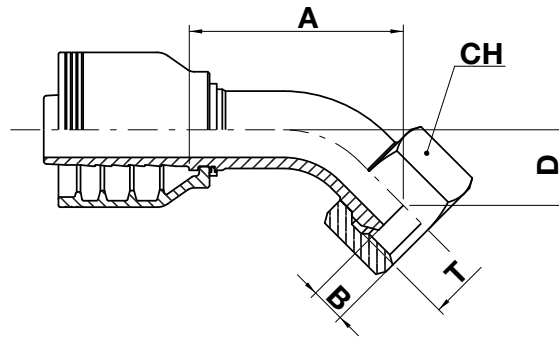
FB43J

FB41J FB42J

BSP female swivel 60° cone - 45° elbow

NO SKIVE

ISO 8434-6 / BS 5200

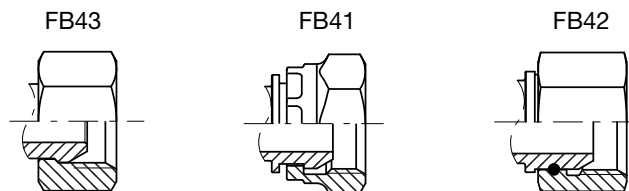


FITTINGS

- NPTF
- JIC
- ORFS
- SAE
- JIS
- BSP-BSPT**
- METRIC
- SAE 3000 CODE 61
- SAE 6000 CODE 62
- TAPERED SAE
- SUPERCAT STYLE
- STAPLE LOCK
- H.P. STAPLE LOCK
- LOK-IT

code	ø hose			T	A		B		D		CH		
	dn	inch	size		mm	in	mm	in	mm	in	mm	in	↻ in
FB43J-06-06	10	3/8"	06	3/8"-19	37,6	1,48	6,0	0,24	14,7	0,58	22,0	0,866	7/8"
FB43J-06-08	10	3/8"	06	1/2"-14	38,6	1,52	6,5	0,26	16,0	0,63	27,0	1,063	1.1/16"
FB43J-08-08	12	1/2"	08	1/2"-14	48,0	1,89	6,5	0,26	18,0	0,71	27,0	1,063	1.1/16"
FB41J-10-10	16	5/8"	10	5/8"-14	60,5	2,38	9,5	0,37	23,3	0,92	30,0	1,181	1.3/16"
FB41J-10-12	16	5/8"	10	3/4"-14	64,0	2,52	8,7	0,34	26,9	1,06	32,0	1,260	1.1/4"
FB41J-12-12	19	3/4"	12	3/4"-14	67,4	2,66	8,7	0,34	26,9	1,06	32,0	1,260	1.1/4"
FB42J-16-16	25	1"	16	1"-11	83,6	3,29	10,5	0,41	33,8	1,33	38,0	1,496	1.1/2"
FB42J-20-20	31	1.1/4"	20	1.1/4"-11	97,0	3,82	10,0	0,39	37,5	1,48	50,0	1,969	2"
FB42J-24-24	38	1.1/2"	24	1.1/2"-11	119,0	4,69	12,0	0,47	51,5	2,03	55,0	2,165	2.3/16"
FB42J-32-32	51	2"	32	2"-11	149,8	5,90	16,0	0,63	60,0	2,36	70,0	2,756	2.3/4"

Nut type



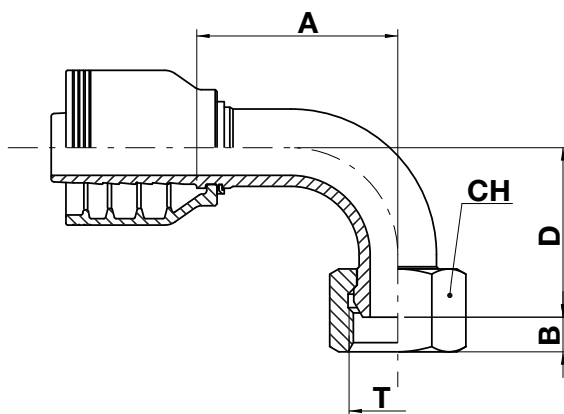
FB93J FB91J FB92J

J

BSP female swivel 60° cone - 90° elbow

NO SKIVE

ISO 8434-6 / BS 5200



FITTINGS

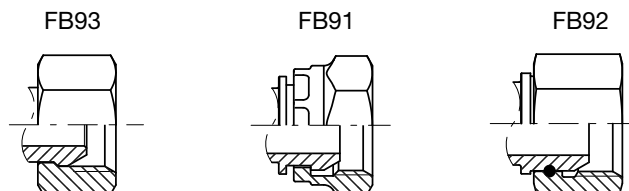
- NPTF
- JIC
- ORFS
- SAE
- JIS

BSP-BSPT

- METRIC
- SAE 3000 CODE 61
- SAE 6000 CODE 62
- TAPERED SAE
- SUPERCAT STYLE
- STAPLE LOCK
- H.P. STAPLE LOCK
- LOK-IT

code	ø hose			T	A		B		D		CH		
	dn	inch	size		mm	in	mm	in	mm	in	mm	in	in
FB93J-06-06	10	3/8"	06	3/8"-19	31,5	1,24	6,0	0,24	29,5	1,16	22,0	0,866	7/8"
FB93J-06-08	10	3/8"	06	1/2"-14	30,3	1,19	6,5	0,26	31,0	1,22	27,0	1,063	1.1/16"
FB93J-08-08	12	1/2"	08	1/2"-14	37,2	1,46	6,5	0,26	36,0	1,41	27,0	1,063	1.1/16"
FB91J-10-10	16	5/8"	10	5/8"-14	54,0	2,13	9,5	0,37	50,0	1,97	30,0	1,181	1.3/16"
FB91J-10-12	16	5/8"	10	3/4"-14	54,0	2,13	8,7	0,34	55,0	2,17	32,0	1,260	1.1/4"
FB91J-12-12	19	3/4"	12	3/4"-14	55,5	2,18	8,7	0,34	55,0	2,17	32,0	1,260	1.1/4"
FB92J-12-16	19	3/4"	12	1"-11	60,5	2,38	10,5	0,41	64,0	2,52	38,0	1,496	1.1/2"
FB92J-16-16	25	1"	16	1"-11	72,0	2,83	10,5	0,41	71,0	2,80	38,0	1,496	1.1/2"
FB92J-20-20	31	1.1/4"	20	1.1/4"-11	87,5	3,44	10,0	0,39	77,0	3,03	50,0	1,969	2"
FB92J-24-24	38	1.1/2"	24	1.1/2"-11	102,0	4,02	12,0	0,47	100,0	3,94	55,0	2,165	2.3/16"
FB92J-32-32	51	2"	32	2"-11	132,0	5,20	16,0	0,63	128,0	5,04	70,0	2,756	2.3/4"

Nut type



For multispiral and wire braid hoses

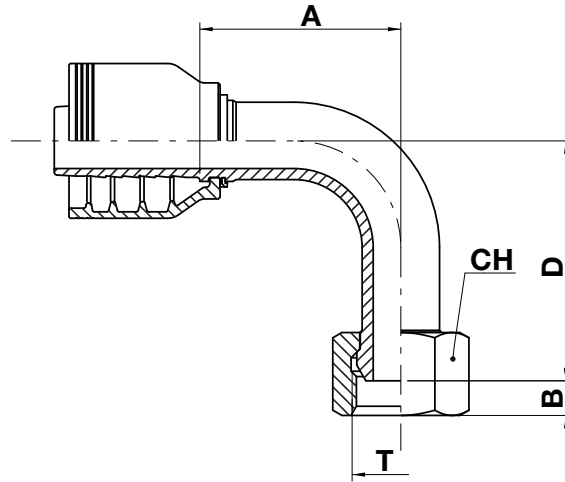
J

FB93J-L FB91J-L FB92J-L

BSP female swivel 60° cone - 90° elbow (long drop)

NO SKIVE

ISO 8434-6 / BS 5200

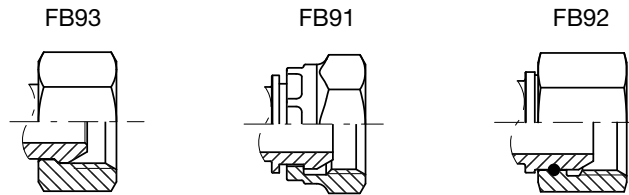


FITTINGS

- NPTF
- JIC
- ORFS
- SAE
- JIS
- BSP-BSPT**
- METRIC
- SAE 3000 CODE 61
- SAE 6000 CODE 62
- TAPERED SAE
- SUPERCAT STYLE
- STAPLE LOCK
- H.P. STAPLE LOCK
- LOK-IT

code	ø hose			T	A		B		D		CH		
	dn	inch	size		mm	in	mm	in	mm	in	mm	in	↗ in
FB91J-12-12-84-2J	19	3/4"	12	3/4"-14	55,5	2,18	8,7	0,34	84,0	3,31	32,0	1,260	1.1/4"
FB92J-16-16-102	25	1"	16	1"-11	72,0	2,83	10,5	0,41	102,0	4,02	38,0	1,496	1.1/2"
FB92J-20-20-118	31	1.1/4"	20	1.1/4"-11	87,5	3,44	10,0	0,39	118,0	4,65	50,0	1,969	2"

Nut type

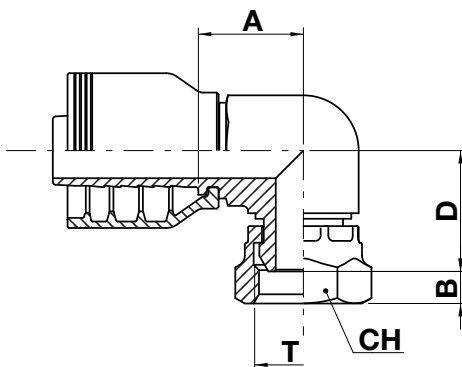


KM91J

BSP female swivel 60° cone - 90° elbow (compact forged)

NO SKIVE

ISO 8434-6 / BS 5200



J

FITTINGS

- NPTF
- JIC
- ORFS
- SAE
- JIS

BSP-BSPT

- METRIC
- SAE 3000 CODE 61
- SAE 6000 CODE 62
- TAPERED SAE
- SUPERCAT STYLE
- STAPLE LOCK
- H.P. STAPLE LOCK
- LOK-IT

code	ø hose			T	A		B		D		CH		
	dn	inch	size		mm	in	mm	in	mm	in	mm	in	in
KM91J-06-06	10	3/8"	06	3/8"-19	21,5	0,85	5,7	0,22	25,5	1,00	22,0	0,866	7/8"
KM91J-08-08	12	1/2"	08	1/2"-14	25,0	0,98	6,9	0,27	28,5	1,12	27,0	1,063	1.1/16"
KM91J-10-10	16	5/8"	10	5/8"-14	27,0	1,06	9,0	0,35	27,5	1,08	30,0	1,181	1.3/16"
KM91J-12-12	19	3/4"	12	3/4"-14	28,5	1,12	8,7	0,34	32,8	1,29	32,0	1,260	1.1/4"
KM91J-16-16	25	1"	16	1"-11	34,0	1,34	10,5	0,41	37,5	1,48	41,0	1,614	1.5/8"

For multispiral and wire braid hoses

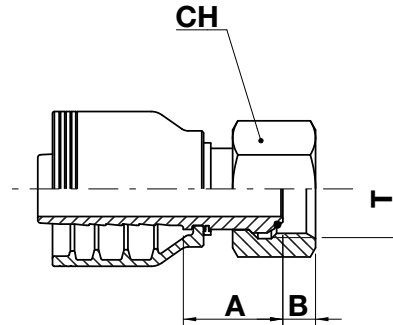
J

FO13J FO12J

BSP O-ring female swivel 60° cone

NO SKIVE

ISO 8434-6 / BS 5200

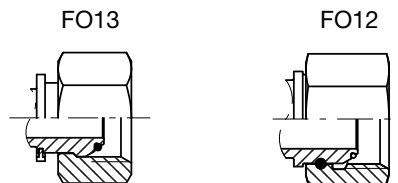


FITTINGS

- NPTF
- JIC
- ORFS
- SAE
- JIS
- BSP-BSPT**
- METRIC
- SAE 3000 CODE 61
- SAE 6000 CODE 62
- TAPERED SAE
- SUPERCAT STYLE
- STAPLE LOCK
- H.P. STAPLE LOCK
- LOK-IT

code	ø hose			T	A		B		CH		
	dn	inch	size		mm	in	mm	in	mm	in	↻ in
FO13J-06-06	10	3/8"	06	3/8"-19	19,0	0,75	6,1	0,24	22,0	0,866	7/8"
FO13J-08-08	12	1/2"	08	1/2"-14	21,0	0,83	6,5	0,26	27,0	1,063	1.1/16"
FO12J-10-10	16	5/8"	10	5/8"-14	21,5	0,85	9,5	0,37	30,0	1,181	1.3/16"
FO12J-12-12	19	3/4"	12	3/4"-14	24,0	0,94	8,7	0,34	32,0	1,260	1.1/4"
FO12J-16-16	25	1"	16	1"-11	28,5	1,12	10,5	0,41	38,0	1,496	1.1/2"
FO12J-20-20	31	1.1/4"	20	1.1/4"-11	35,0	1,38	10,0	0,39	50,0	1,969	2"
FO12J-24-24	38	1.1/2"	24	1.1/2"-11	35,8	1,41	12,0	0,47	55,0	2,165	2.3/16"
FO12J-32-32	51	2"	32	2"-11	39,8	1,57	16,0	0,63	70,0	2,756	2.3/4"

Nut type

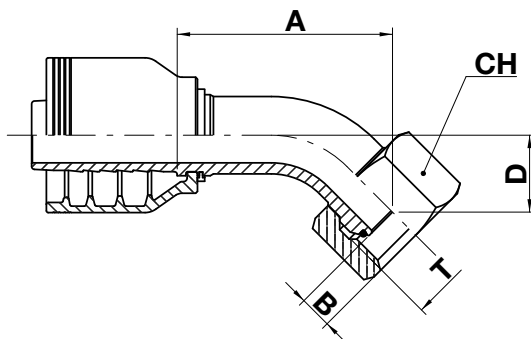


FO43J FO42J

BSP O-ring female swivel 60° cone - 45° elbow

NO SKIVE

ISO 8434-6 / BS 5200



J

FITTINGS

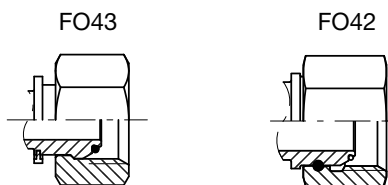
- NPTF
- JIC
- ORFS
- SAE
- JIS

BSP-BSPT

- METRIC
- SAE 3000 CODE 61
- SAE 6000 CODE 62
- TAPERED SAE
- SUPERCAT STYLE
- STAPLE LOCK
- H.P. STAPLE LOCK
- LOK-IT

code	ø hose			T	A		B		D		CH		
	dn	inch	size		mm	in	mm	in	mm	in	mm	in	in
FO43J-06-06	10	3/8"	06	3/8"-19	37,7	1,48	6,1	0,24	15,0	0,59	22,0	0,866	7/8"
FO43J-08-08	12	1/2"	08	1/2"-14	46,0	1,81	6,5	0,26	18,0	0,71	27,0	1,063	1.1/16"
FO42J-10-10	16	5/8"	10	5/8"-14	63,0	2,48	9,5	0,37	26,0	1,02	30,0	1,181	1.3/16"
FO42J-12-12	19	3/4"	12	3/4"-14	68,9	2,71	8,7	0,34	28,3	1,11	32,0	1,260	1.1/4"
FO42J-16-16	25	1"	16	1"-11	83,6	3,29	10,5	0,41	33,8	1,33	38,0	1,496	1.1/2"
FO42J-20-20	31	1.1/4"	20	1.1/4"-11	97,5	3,84	10,0	0,39	36,3	1,43	50,0	1,969	2"
FO42J-24-24	38	1.1/2"	24	1.1/2"-11	119,0	4,69	12,0	0,47	49,2	1,94	55,0	2,165	2.3/16"
FO42J-32-32	51	2"	32	2"-11	142,2	5,60	16,0	0,63	59,6	2,35	70,0	2,756	2.3/4"

Nut type



For multispiral and wire braid hoses

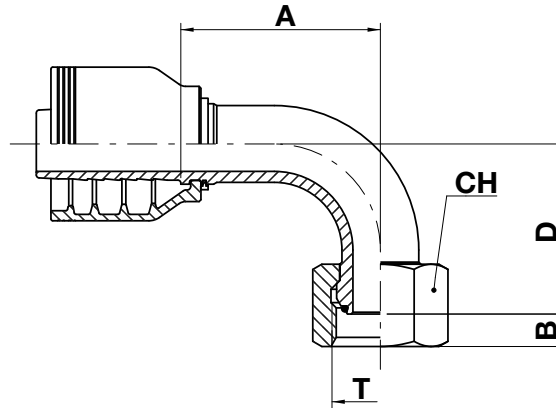
J

FO93J FO92J

BSP O-ring female swivel 60° cone - 90° elbow

NO SKIVE

ISO 8434-6 / BS 5200



FITTINGS

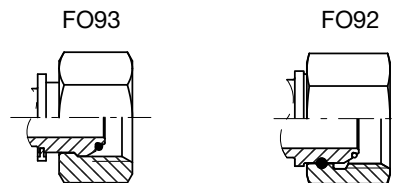
NPTF
JIC
ORFS
SAE
JIS

BSP-BSPT

METRIC
SAE 3000 CODE 61
SAE 6000 CODE 62
TAPERED SAE
SUPERCAT STYLE
STAPLE LOCK
H.P. STAPLE LOCK
LOK-IT

code	ø hose			T	A		B		D		CH		
	dn	inch	size		mm	in	mm	in	mm	in	mm	in	↗ in
FO93J-06-06	10	3/8"	06	3/8"-19	31,5	1,24	6,1	0,24	30,0	1,18	22,0	0,866	7/8"
FO93J-08-08	12	1/2"	08	1/2"-14	37,3	1,47	6,5	0,26	36,0	1,42	27,0	1,063	1.1/16"
FO92J-10-10	16	5/8"	10	5/8"-14	54,0	2,13	9,5	0,37	53,5	2,10	30,0	1,181	1.3/16"
FO92J-12-12	19	3/4"	12	3/4"-14	55,5	2,20	8,7	0,34	57,0	2,24	32,0	1,260	1.1/4"
FO92J-16-16	25	1"	16	1"-11	72,0	2,83	10,5	0,41	71,0	2,80	38,0	1,496	1.1/2"
FO92J-20-20	31	1.1/4"	20	1.1/4"-11	82,5	3,25	10,0	0,39	77,0	3,03	50,0	1,969	2"
FO92J-24-24	38	1.1/2"	24	1.1/2"-11	102,0	4,02	12,0	0,47	100,0	3,94	55,0	2,165	2.3/16"
FO92J-32-32	51	2"	32	2"-11	132,0	5,20	16,0	0,63	128,0	5,04	70,0	2,756	2.3/4"

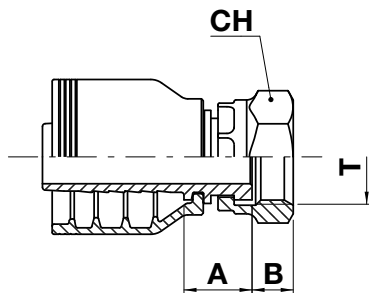
Nut type



FP11J FP12J

BSP flat face female swivel

NO SKIVE



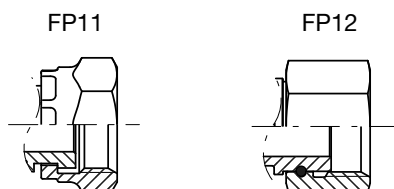
J

FITTINGS

- NPTF
- JIC
- ORFS
- SAE
- JIS
- BSP-BSPT**
- METRIC
- SAE 3000 CODE 61
- SAE 6000 CODE 62
- TAPERED SAE
- SUPERCAT STYLE
- STAPLE LOCK
- H.P. STAPLE LOCK
- LOK-IT

code	ø hose			T	A		B		CH		
	dn	inch	size		mm	in	mm	in	mm	in	in
FP11J-06-06	10	3/8"	06	3/8"-19	15,5	0,61	9,0	0,35	22,0	0,866	7/8"
FP11J-06-08	10	3/8"	06	1/2"-14	16,0	0,63	10,5	0,41	27,0	1,063	1.1/16"
FP11J-12-12	19	3/4"	12	3/4"-14	26,0	1,02	11,5	0,45	32,0	1,260	1.1/4"
FP12J-16-16	25	1"	16	1"-11	26,0	1,02	13,0	0,51	38,0	1,496	1.1/2"

Nut type



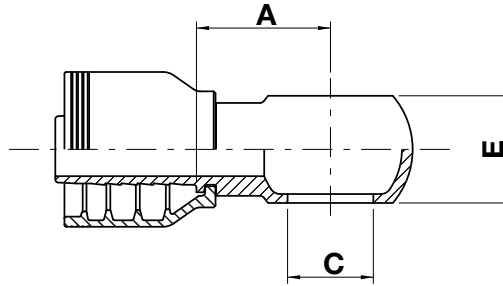
For multispiral and wire braid hoses

J

BB10J

BSP banjo

NO SKIVE



FITTINGS

- NPTF
- JIC
- ORFS
- SAE
- JIS
- BSP-BSPT**
- METRIC
- SAE 3000 CODE 61
- SAE 6000 CODE 62
- TAPERED SAE
- SUPERCAT STYLE
- STAPLE LOCK
- H.P. STAPLE LOCK
- LOK-IT

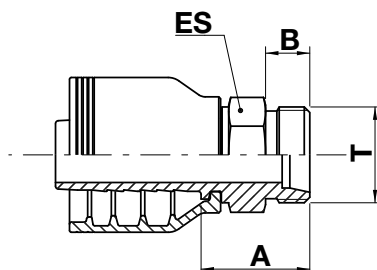
code	ø hose			T	A		C		E	
	dn	inch	size		mm	in	mm	in	mm	in
BB10J-06-06	10	3/8"	06	3/8"-19	24,0	0,94	16,8	0,66	18,0	0,71
BB10J-06-08	10	3/8"	06	1/2"-14	26,0	1,02	21,0	0,83	22,0	0,87
BB10J-08-08	12	1/2"	08	1/2"-14	27,0	1,06	21,0	0,83	22,0	0,87
BB10J-10-10	16	5/8"	10	5/8"-14	28,0	1,10	23,1	0,91	24,0	0,94
BB10J-12-12	19	3/4"	12	3/4"-14	36,5	1,44	26,5	1,04	29,0	1,14
BB10J-16-16	25	1"	16	1"-11	44,5	1,75	33,5	1,32	37,0	1,46

ML10J

Metric light male (24° cone seat)

NO SKIVE

ISO 8434-1 / DIN 3865



J

FITTINGS

- NPTF
- JIC
- ORFS
- SAE
- JIS
- BSP-BSPT
- METRIC**
- SAE 3000 CODE 61
- SAE 6000 CODE 62
- TAPERED SAE
- SUPERCAT STYLE
- STAPLE LOCK
- H.P. STAPLE LOCK
- LOK-IT

code	ø hose			T	pipe	A		B		ES		
	dn	inch	size			mm	in	mm	in	mm	in	↗ in
ML10J-06-16	10	3/8"	06	M16X1,5	L10	24,5	0,96	11,0	0,43	17,0	0,669	11/16"
ML10J-06-18	10	3/8"	06	M18X1,5	L12	25,0	0,98	11,0	0,43	19,0	0,748	3/4"
ML10J-06-22	10	3/8"	06	M22X1,5	L15	26,0	1,02	12,0	0,47	22,0	0,866	7/8"
ML10J-08-22	12	1/2"	08	M22X1,5	L15	26,5	1,04	12,0	0,47	22,0	0,866	7/8"
ML10J-10-26	16	5/8"	10	M26X1,5	L18	29,0	1,14	12,0	0,47	27,0	1,063	1.1/16"
ML10J-12-26	19	3/4"	12	M26X1,5	L18	29,5	1,16	12,0	0,47	27,0	1,063	1.1/16"
ML10J-12-30	19	3/4"	12	M30X2	L22	31,5	1,24	14,0	0,55	30,0	1,181	1.3/16"
ML10J-16-36	25	1"	16	M36X2	L28	34,0	1,34	14,0	0,55	36,0	1,417	1.7/16"
ML10J-20-45	31	1.1/4"	20	M45X2	L35	41,0	1,61	16,0	0,63	46,0	1,811	1.13/16"
ML10J-24-52	38	1.1/2"	24	M52X2	L42	40,4	1,59	16,0	0,63	55,0	2,165	2.3/16"

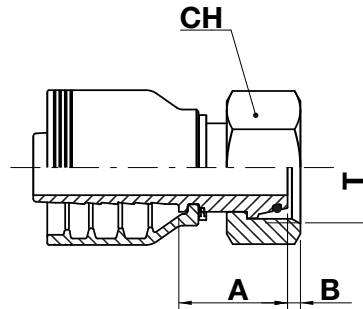
For multispiral and wire braid hoses

FL13J FL12J

Metric light female swivel (24° cone seat)

NO SKIVE

ISO 8434-1 / DIN 3865



FITTINGS

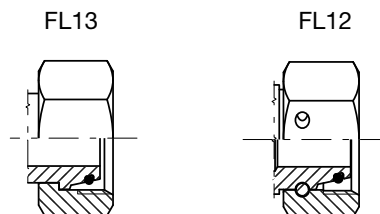
NPTF
JIC
ORFS
SAE
JIS
BSP-BSPT

METRIC

SAE 3000 CODE 61
SAE 6000 CODE 62
TAPERED SAE
SUPERCAT STYLE
STAPLE LOCK
H.P. STAPLE LOCK
LOK-IT

code	ø hose			T	pipe	A		B		CH		
	dn	inch	size			mm	in	mm	in	mm	in	↗ in
FL12J-06-16	10	3/8"	06	M16X1,5	L10	23,0	0,91	3,5	0,14	19,0	0,748	3/4"
FL13J-06-18	10	3/8"	06	M18X1,5	L12	26,0	1,02	1,5	0,06	22,0	0,866	7/8"
FL13J-06-22	10	3/8"	06	M22X1,5	L15	28,5	1,12	2,5	0,10	27,0	1,063	1.1/16"
FL13J-08-22	12	1/2"	08	M22X1,5	L15	28,5	1,12	2,5	0,10	27,0	1,063	1.1/16"
FL13J-08-26	12	1/2"	08	M26X1,5	L18	30,0	1,18	2,0	0,08	32,0	1,260	1.1/4"
FL13J-10-26	16	5/8"	10	M26X1,5	L18	29,0	1,14	2,0	0,08	32,0	1,260	1.1/4"
FL12J-12-26	19	3/4"	12	M26X1,5	L18	25,5	1,00	2,0	0,08	32,0	1,260	1.1/4"
FL13J-12-30	19	3/4"	12	M30X2	L22	29,5	1,16	3,5	0,14	36,0	1,417	1.7/16"
FL13J-16-36	25	1"	16	M36X2	L28	32,0	1,26	3,5	0,14	41,0	1,614	1.5/8"
FL13J-20-45	31	1.1/4"	20	M45X2	L35	39,5	1,56	2,0	0,08	50,0	1,969	2"
FL13J-24-52	38	1.1/2"	24	M52X2	L42	39,5	1,56	3,0	0,12	60,0	2,362	2.3/8"

Nut type



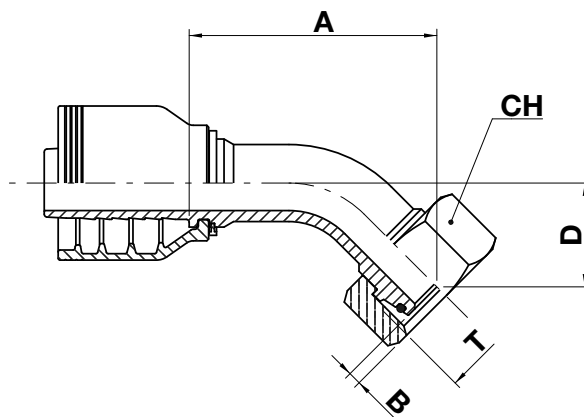
For multispiral and wire braid hoses

FL43J FL42J

Metric light female swivel - 45° elbow (24° cone seat)

NO SKIVE

ISO 8434-1 / DIN 3865



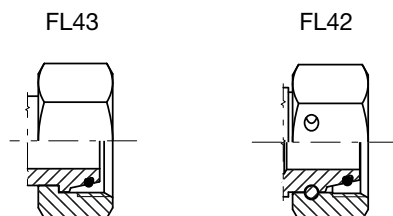
J

FITTINGS

- NPTF
- JIC
- ORFS
- SAE
- JIS
- BSP-BSPT
- METRIC**
- SAE 3000 CODE 61
- SAE 6000 CODE 62
- TAPERED SAE
- SUPERCAT STYLE
- STAPLE LOCK
- H.P. STAPLE LOCK
- LOK-IT

code	ø hose			T	pipe	A		B		D		CH		
	dn	inch	size			mm	in	mm	in	mm	in	mm	in	↻ in
FL42J-06-16	10	3/8"	06	M16X1,5	L10	44,6	1,76	3,5	0,14	14,8	0,58	19,0	0,748	3/4"
FL43J-06-18	10	3/8"	06	M18X1,5	L12	42,6	1,68	1,5	0,06	19,2	0,76	22,0	0,866	7/8"
FL43J-08-22	12	1/2"	08	M22X1,5	L15	48,2	1,90	2,5	0,10	20,8	0,82	27,0	1,063	1,1/16"
FL43J-10-26	16	5/8"	10	M26X1,5	L18	62,5	2,46	2,0	0,08	25,5	1,00	32,0	1,260	1,1/4"
FL42J-12-26	19	3/4"	12	M26X1,5	L18	70	2,75	2,0	0,08	28,8	1,13	32,0	1,260	1,1/4"
FL43J-12-30	19	3/4"	12	M30X2	L22	67,5	2,66	3,5	0,14	28,3	1,11	36,0	1,417	1,7/16"
FL43J-16-36	25	1"	16	M36X2	L28	85,0	3,35	3,5	0,14	33,1	1,30	41,0	1,614	1,5/8"
FL43J-20-45	31	1.1/4"	20	M45X2	L35	102,5	4,04	2,0	0,08	41,7	1,64	50,0	1,969	2"
FL43J-24-52	38	1.1/2"	24	M52X2	L42	121,0	4,76	3,0	0,12	46,0	1,81	60,0	2,362	2.3/8"

Nut type



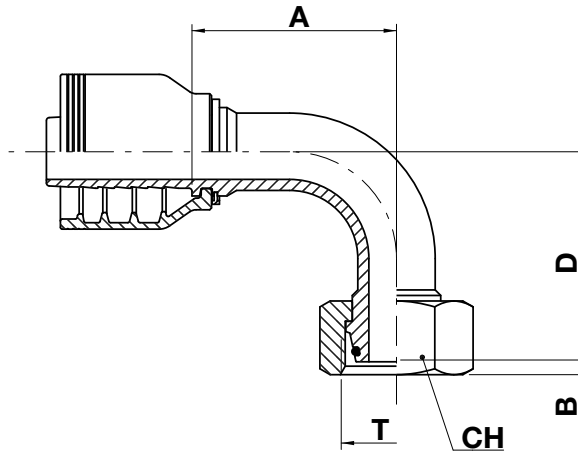
For multispiral and wire braid hoses

FL93J FL92J

Metric light female swivel - 90° elbow (24° cone seat)

NO SKIVE

ISO 8434-1 / DIN 3865



FITTINGS

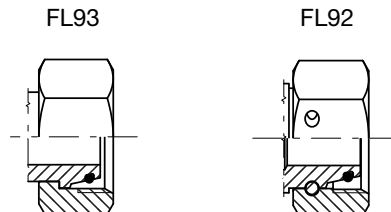
NPTF
JIC
ORFS
SAE
JIS
BSP-BSPT

METRIC

SAE 3000 CODE 61
SAE 6000 CODE 62
TAPERED SAE
SUPERCAT STYLE
STAPLE LOCK
H.P. STAPLE LOCK
LOK-IT

code	ø hose			T	pipe	A		B		D		CH		
	dn	inch	size			mm	in	mm	in	mm	in	mm	in	↻ in
FL92J-06-16	10	3/8"	06	M16X1,5	L10	34,0	1,34	1,5	0,06	39,5	1,56	19,0	0,748	3/4"
FL93J-06-18	10	3/8"	06	M18X1,5	L12	30,5	1,20	1,5	0,06	36,0	1,42	22,0	0,866	7/8"
FL93J-08-22	12	1/2"	08	M22X1,5	L15	38,2	1,50	2,5	0,10	40,0	1,57	27,0	1,063	1,1/16"
FL93J-10-26	16	5/8"	10	M26X1,5	L18	54,0	2,13	2,0	0,08	53,0	2,09	32,0	1,260	1,1/4"
FL92J-12-26	19	3/4"	12	M26X1,5	L18	55,5	2,18	2,0	0,08	28,8	1,13	32,0	1,260	1,1/4"
FL93J-12-30	19	3/4"	12	M30X2	L22	55,5	2,18	3,5	0,14	57,0	2,24	36,0	1,417	1,7/16"
FL93J-16-36	25	1"	16	M36X2	L28	74,0	2,91	3,5	0,14	69,0	2,72	41,0	1,614	1,5/8"
FL93J-20-45	31	1.1/4"	20	M45X2	L35	85,5	3,37	2,0	0,08	83,0	3,27	50,0	1,969	2"
FL93J-24-52	38	1.1/2"	24	M52X2	L42	103,0	4,05	3,0	0,12	95,5	3,76	60,0	2,362	2.3/8"

Nut type

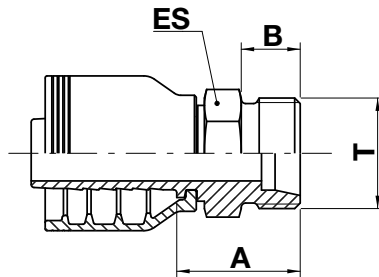


MS10J

Metric heavy male (24° cone seat)

NO SKIVE

ISO 8434-1 / DIN 3865



J

FITTINGS

- NPTF
- JIC
- ORFS
- SAE
- JIS
- BSP-BSPT
- METRIC**
- SAE 3000 CODE 61
- SAE 6000 CODE 62
- TAPERED SAE
- SUPERCAT STYLE
- STAPLE LOCK
- H.P. STAPLE LOCK
- LOK-IT

code	ø hose			T	pipe	A		B		ES		
	dn	inch	size			mm	in	mm	in	mm	in	↗ in
MS10J-06-18	10	3/8"	06	M18X1,5	S10	26,0	1,02	12,0	0,47	19,0	0,748	3/4"
MS10J-06-20	10	3/8"	06	M20X1,5	S12	26,0	1,02	12,0	0,47	22,0	0,866	7/8"
MS10J-06-22	10	3/8"	06	M22X1,5	S14	28,0	1,10	14,0	0,55	22,0	0,866	7/8"
MS10J-06-24	10	3/8"	06	M24X1,5	S16	28,0	1,10	14,0	0,55	24,0	0,945	15/16"
MS10J-08-24	12	1/2"	08	M24X1,5	S16	28,5	1,12	14,0	0,55	24,0	0,945	15/16"
MS10J-10-30	16	5/8"	10	M30X2	S20	33,0	1,30	16,0	0,63	30,0	1,181	1.3/16"
MS10J-12-30	19	3/4"	12	M30X2	S20	33,5	1,32	16,0	0,63	30,0	1,181	1.3/16"
MS10J-12-36	19	3/4"	12	M36X2	S25	36,5	1,44	18,0	0,71	36,0	1,417	1.7/16"
MS10J-16-36	25	1"	16	M36X2	S25	38,0	1,50	18,0	0,71	36,0	1,417	1.7/16"
MS10J-16-42	25	1"	16	M42X2	S30	41,0	1,61	20,0	0,79	46,0	1,811	1.13/16"
MS10J-20-52	31	1.1/4"	20	M52X2	S38	50,0	1,97	22,0	0,87	55,0	2,165	2.3/16"
MS10J-24-52	38	1.1/2"	24	M52X2	S38	50,0	1,97	22,0	0,87	55,0	2,165	2.3/16"

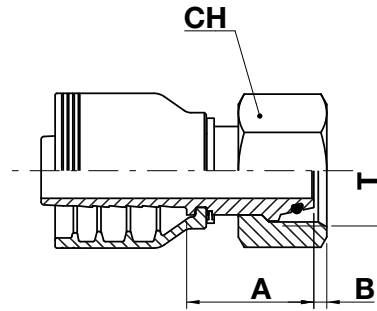
For multispiral and wire braid hoses

FS13J FS12J

Metric heavy female swivel (24° cone seat)

NO SKIVE

ISO 8434-1 / DIN 3865



FITTINGS

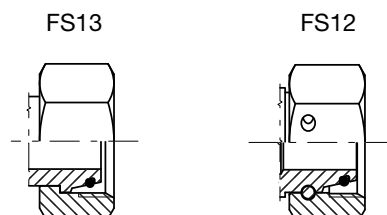
- NPTF
- JIC
- ORFS
- SAE
- JIS
- BSP-BSPT

METRIC

- SAE 3000 CODE 61
- SAE 6000 CODE 62
- TAPERED SAE
- SUPERCAT STYLE
- STAPLE LOCK
- H.P. STAPLE LOCK
- LOK-IT

code	ø hose			T	pipe	A		B		CH		
	dn	inch	size			mm	in	mm	in	mm	in	↗ in
FS13J-06-18	10	3/8"	06	M18X1,5	S10	24,0	0,945	2,0	0,08	22,0	0,866	7/8"
FS13J-06-20	10	3/8"	06	M20X1,5	S12	26,5	1,04	2,0	0,08	24,0	0,945	15/16"
FS13J-06-22	10	3/8"	06	M22X1,5	S14	29,5	1,16	4,0	0,16	27,0	1,063	1.1/16"
FS12J-08-20	12	1/2"	08	M20X1,5	S12	27,0	1,06	2,0	0,08	24,0	0,945	15/16"
FS13J-08-24	12	1/2"	08	M24X1,5	S16	33,0	1,30	3,0	0,12	30,0	1,181	1.3/16"
FS13J-10-30	16	5/8"	10	M30X2	S20	34,0	1,34	3,2	0,12	36,0	1,417	1.7/16"
FS13J-10-36	16	5/8"	10	M36X2	S25	43,0	1,69	3,0	0,12	46,0	1,811	1.13/16"
FS13J-12-30	19	3/4"	12	M30X2	S20	34,5	1,36	3,2	0,12	36,0	1,417	1.7/16"
FS13J-12-36	19	3/4"	12	M36X2	S25	39,5	1,56	3,0	0,12	46,0	1,811	1.13/16"
FS13J-16-36	25	1"	16	M36X2	S25	42,0	1,65	3,0	0,12	46,0	1,811	1.13/16"
FS13J-16-42	25	1"	16	M42X2	S30	43,0	1,69	6,0	0,24	50,0	1,969	2"
FS12J-20-42	31	1.1/4"	20	M42X2	S30	36,0	1,42	6,0	0,24	50,0	1,969	2"
FS13J-20-52	31	1.1/4"	20	M52X2	S38	48,0	1,89	6,5	0,26	60,0	2,362	2.3/8"
FS13J-24-52	38	1.1/2"	24	M52X2	S38	48,0	1,89	6,5	0,26	60,0	2,362	2.3/8"

Nut type

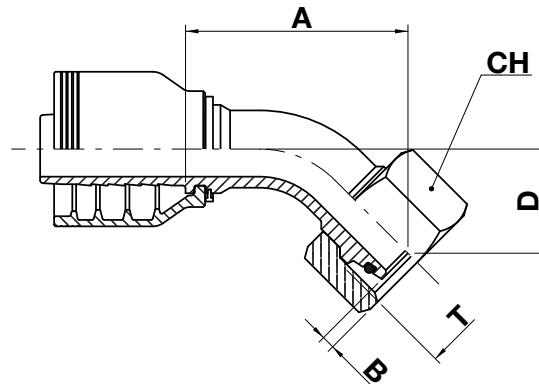


FS43J

Metric heavy female swivel - 45° elbow (24° cone seat)

NO SKIVE

ISO 8434-1 / DIN 3865



J

FITTINGS

- NPTF
- JIC
- ORFS
- SAE
- JIS
- BSP-BSPT
- METRIC**
- SAE 3000 CODE 61
- SAE 6000 CODE 62
- TAPERED SAE
- SUPERCAT STYLE
- STAPLE LOCK
- H.P. STAPLE LOCK
- LOK-IT

code	ø hose			T	pipe	A		B		D		CH		
	dn	inch	size			mm	in	mm	in	mm	in	mm	in	↻ in
FS43J-06-20	10	3/8"	06	M20X1,5	S12	42,0	1,65	2,0	0,08	19,2	0,76	24,0	0,945	15/16"
FS43J-06-22	10	3/8"	06	M22X1,5	S14	45,0	1,77	4,0	0,16	22,0	0,87	27,0	1,063	1.1/16"
FS43J-08-24	12	1/2"	08	M24X1,5	S16	50,0	1,97	3,0	0,12	22,6	0,89	30,0	1,181	1.3/16"
FS43J-10-30	16	5/8"	10	M30X2	S20	64,0	2,52	3,5	0,14	26,9	1,06	36,0	1,417	1.7/16"
FS43J-12-30	19	3/4"	12	M30X2	S20	60,4	2,37	3,2	0,12	28,3	1,11	36,0	1,417	1.7/16"
FS43J-12-36	19	3/4"	12	M36X2	S25	68,9	2,71	3,0	0,12	30,4	1,19	46,0	1,811	1.13/16"
FS43J-16-36	25	1"	16	M36X2	S25	87,0	3,42	3,0	0,12	34,8	1,37	46,0	1,811	1.13"/16"
FS43J-16-42	25	1"	16	M42X2	S30	89,0	3,50	6,0	0,24	37,3	1,47	50,0	1,969	2"
FS43J-20-52	31	1.1/4"	20	M52X2	S38	121,3	4,78	6,5	0,26	45,6	1,80	60,0	2,362	2.3/8"
FS43J-24-52	38	1.1/2"	24	M52X2	S38	121,0	4,76	6,5	0,26	50,2	1,98	60,0	2,362	2.3/8"

For multispiral and wire braid hoses

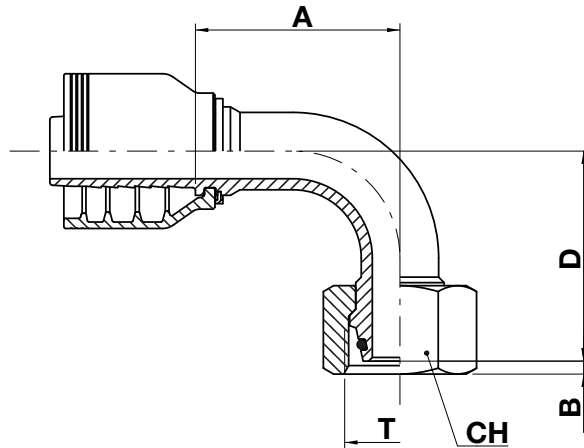
J

FS93J

Metric heavy female swivel - 90° elbow (24° cone seat)

NO SKIVE

ISO 8434-1 / DIN 3865



FITTINGS

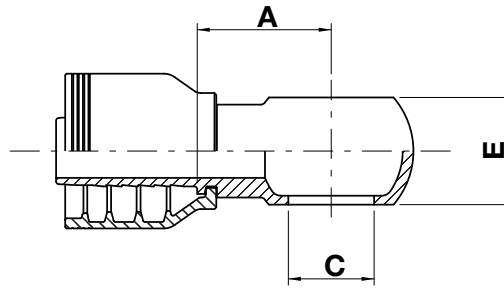
- NPTF
- JIC
- ORFS
- SAE
- JIS
- BSP-BSPT
- METRIC**
- SAE 3000 CODE 61
- SAE 6000 CODE 62
- TAPERED SAE
- SUPERCAT STYLE
- STAPLE LOCK
- H.P. STAPLE LOCK
- LOK-IT

code	ø hose			T	pipe	A		B		D		CH		
	dn	inch	size			mm	in	mm	in	mm	in	mm	in	in
FS93J-06-18	10	3/8"	06	M18X1,5	S10	30,5	1,20	2,0	0,08	36,0	1,42	22,0	0,866	7/8"
FS93J-06-20	10	3/8"	06	M20X1,5	S12	30,5	1,20	2,0	0,08	36,0	1,42	24,0	0,945	15/16"
FS93J-06-22	10	3/8"	06	M22X1,5	S14	31,5	1,24	4,0	0,16	40,0	1,57	27,0	1,063	1.1/16"
FS93J-08-24	12	1/2"	08	M24X1,5	S16	38,2	1,50	3,0	0,12	42,5	1,67	30,0	1,181	1.3/16"
FS93J-10-30	16	5/8"	10	M30X2	S20	54,0	2,13	3,2	0,12	55,0	2,17	36,0	1,417	1.7/16"
FS93J-12-30	19	3/4"	12	M30X2	S20	55,5	2,19	3,2	0,12	57,0	2,24	36,0	1,417	1.7/16"
FS93J-12-36	19	3/4"	12	M36X2	S25	55,5	2,18	3,0	0,12	60,0	2,36	46,0	1,811	1.13/16"
FS93J-16-36	25	1"	16	M36X2	S25	74,0	2,91	3,0	0,12	71,5	2,81	46,0	1,811	1.13/16"
FS93J-16-42	25	1"	16	M42X2	S30	74,0	2,91	6,0	0,24	75,0	2,95	50,0	1,969	2"
FS93J-20-52	31	1.1/4"	20	M52X2	S38	102,0	4,02	6,5	0,26	95,6	3,76	60,0	2,362	2.3/8"
FS93J-24-52	38	1.1/2"	24	M52X2	S38	103,0	4,06	6,5	0,26	101,5	4,00	60,0	2,362	2.3/8"

BM10J

Metric banjo

NO SKIVE



J

FITTINGS

- NPTF
- JIC
- ORFS
- SAE
- JIS
- BSP-BSPT
- METRIC**
- SAE 3000 CODE 61
- SAE 6000 CODE 62
- TAPERED SAE
- SUPERCAT STYLE
- STAPLE LOCK
- H.P. STAPLE LOCK
- LOK-IT

code	ø hose			T	A		C		E	
	dn	inch	size		mm	in	mm	in	mm	in
BM10J-06-14	10	3/8"	06	M14X1,5	24,5	0,96	14,2	0,56	14,0	0,55
BM10J-06-16	10	3/8"	06	M16X1,5	24,0	0,94	16,2	0,64	18,0	0,71
BM10J-06-18	10	3/8"	06	M18X1,5	27,5	1,08	18,2	0,72	20,0	0,79
BM10J-06-22	10	3/8"	06	M22X1,5	26,5	1,04	22,2	0,87	22,0	0,87
BM10J-10-22	16	5/8"	10	M22X1,5	28,0	1,10	22,2	0,87	22,0	0,87
BM10J-12-26	19	3/4"	12	M26X1,5	36,5	1,44	26,2	1,03	29,0	1,14
BM10J-16-30	25	1"	16	M30X1,5	44,5	1,75	30,2	1,19	37,0	1,46

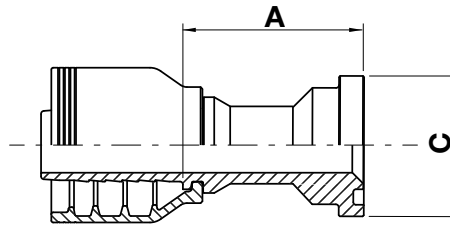
For multispiral and wire braid hoses

AX10J

SAE 3000 code 61 straight flange

NO SKIVE

ISO 6162-1 / SAE J518-1



FITTINGS

- NPTF
- JIC
- ORFS
- SAE
- JIS
- BSP-BSPT
- METRIC
- SAE 3000 CODE 61**
- SAE 6000 CODE 62
- TAPERED SAE
- SUPERCAT STYLE
- STAPLE LOCK
- H.P. STAPLE LOCK
- LOK-IT

code	ø hose			flange	A		C	
	dn	inch	size		mm	in	mm	in
AX10J-08-08	12	1/2"	08	1/2"	38,0	1,50	30,2	1,19
AX10J-08-12	12	1/2"	08	3/4"	39,0	1,54	38,1	1,50
AX10J-10-12	16	5/8"	10	3/4"	39,0	1,54	38,1	1,50
AX10J-12-12	19	3/4"	12	3/4"	39,5	1,56	38,1	1,50
AX10J-12-16	19	3/4"	12	1"	46,0	1,81	44,5	1,75
AX10J-12-20	19	3/4"	12	1.1/4"	47,0	1,85	50,8	2,00
AX10J-16-16	25	1"	16	1"	47,6	1,87	44,5	1,75
AX10J-16-20	25	1"	16	1.1/4"	48,5	1,91	50,8	2,00
AX10J-16-24	25	1"	16	1.1/2"	53,0	2,09	60,4	2,38
AX10J-20-16	31	1.1/4"	20	1"	58,5	2,30	44,5	1,75
AX10J-20-20	31	1.1/4"	20	1.1/4"	49,5	1,95	50,8	2,00
AX10J-20-24	31	1.1/4"	20	1.1/2"	53,0	2,09	60,3	2,37
AX10J-20-32	31	1.1/4"	20	2"	76,5	3,01	71,4	2,81
AX10J-24-24	38	1.1/2"	24	1.1/2"	53,1	2,09	60,3	2,37
AX10J-24-32	38	1.1/2"	24	2"	74,5	2,93	71,4	2,81
AX10J-32-24	51	2"	32	1.1/2"	89,0	3,50	60,3	2,37
AX10J-32-32	51	2"	32	2"	78,5	3,09	71,4	2,81
AX10J-32-40	51	2"	32	2.1/2"	78,5	3,09	84,1	3,31
AX10J-40-40	63	2.1/2"	40	2.1/2"	90,0	3,54	84,1	3,31
AX10J-40-48	63	2.1/2"	40	3"	90,0	3,54	101,6	4,00
AX10J-48-48	76	3"	48	3"	64,5	2,54	101,6	4,00

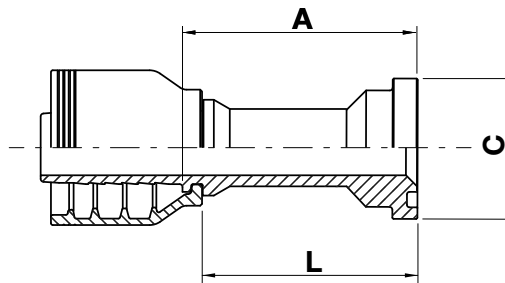
For multispiral and wire braid hoses

AX10J-L

SAE 3000 code 61 straight flange (long reach version)

NO SKIVE

ISO 6162-1 / SAE J518-1



J

FITTINGS

- NPTF
- JIC
- ORFS
- SAE
- JIS
- BSP-BSPT
- METRIC

SAE 3000 CODE 61

- SAE 6000 CODE 62
- TAPERED SAE
- SUPERCAT STYLE
- STAPLE LOCK
- H.P. STAPLE LOCK
- LOK-IT

code	ø hose			flange	A		C		L	
	dn	inch	size		mm	in	mm	in	mm	in
AX10J-12-12-65	19	3/4"	12	3/4"	72,0	2,83	38,1	1,50	65,0	2,56
AX10J-12-16-64	19	3/4"	12	1"	71,0	2,80	44,5	1,75	64,0	2,52
AX10J-16-16-65	25	1"	16	1"	72,0	2,83	44,5	1,75	65,0	2,56
AX10J-16-20-73	25	1"	16	1.1/4"	80,0	3,15	50,8	2,00	73,0	2,87
AX10J-20-20-57	31	1.1/4"	20	1.1/4"	67,0	2,64	50,8	2,00	57,0	2,24
AX10J-20-20-73	31	1.1/4"	20	1.1/4"	82,9	3,26	50,8	2,00	73,0	2,87
AX10J-24-24-83	38	1.1/2"	24	1.1/2"	91,0	3,58	60,4	2,38	83,0	3,27
AX10J-32-32-88	51	2"	32	2"	97,7	3,85	71,4	2,81	88,0	3,46

For multispiral and wire braid hoses

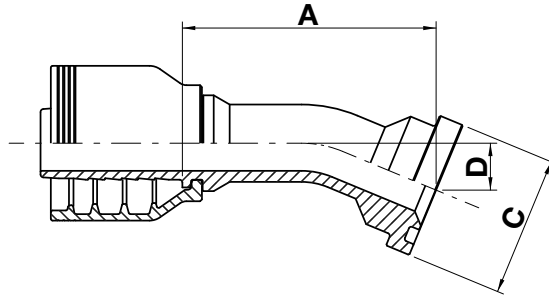
J

AX20J

SAE 3000 code 61 - 22,5° elbow flange

NO SKIVE

ISO 6162-1 / SAE J518-1



FITTINGS

- NPTF
- JIC
- ORFS
- SAE
- JIS
- BSP-BSPT
- METRIC
- SAE 3000 CODE 61**
- SAE 6000 CODE 62
- TAPERED SAE
- SUPERCAT STYLE
- STAPLE LOCK
- H.P. STAPLE LOCK
- LOK-IT

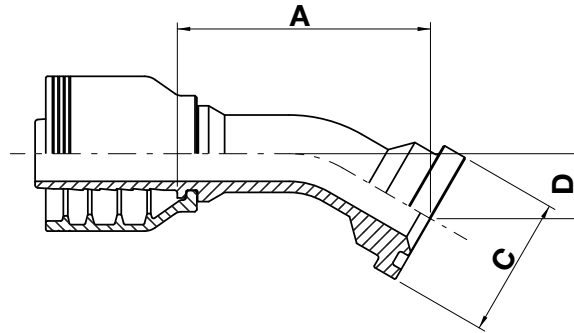
code	ø hose			flange	A		C		D	
	dn	inch	size		mm	in	mm	in	mm	in
AX20J-08-08	12	1/2"	08	1/2"	55,3	2,18	30,2	1,19	10,2	0,40
AX20J-08-12	12	1/2"	08	3/4"	59,9	2,36	38,1	1,50	12,2	0,48
AX20J-12-12	19	3/4"	12	3/4"	68,9	2,71	38,1	1,50	12,7	0,50
AX20J-12-16	19	3/4"	12	1"	65,9	2,60	44,5	1,75	13,3	0,52
AX20J-16-16	25	1"	16	1"	72,0	2,83	44,5	1,75	11,5	0,45
AX20J-16-20	25	1"	16	1.1/4"	74,0	2,91	50,8	2,00	12,6	0,50
AX20J-20-20	31	1.1/4"	20	1.1/4"	96,5	3,80	50,8	2,00	13,5	0,53
AX20J-20-24	31	1.1/4"	20	1.1/2"	86,0	3,39	60,3	2,37	13,5	0,53
AX20J-24-24	38	1.1/2"	24	1.1/2"	99,0	3,90	60,3	2,37	17,2	0,68
AX20J-24-32	38	1.1/2"	24	2"	99,0	3,90	71,4	2,81	17,2	0,68
AX20J-32-32	51	2"	32	2"	133,3	5,25	71,4	2,81	23,0	0,91
AX20J-32-40	51	2"	32	2.1/2"	146,7	5,78	84,1	3,31	26,6	1,05
AX20J-40-40	63	2.1/2"	40	2.1/2"	105,0	4,13	84,1	3,31	18,6	0,73
AX20J-40-48	63	2.1/2"	40	3"	105,0	4,13	101,6	4,00	18,6	0,73
AX20J-48-48-21	76	3"	48	3"	113,0	4,49	101,6	4,00	21,0	0,83

AX30J

SAE 3000 code 61 - 30° elbow flange

NO SKIVE

ISO 6162-1 / SAE J518-1



J

FITTINGS

- NPTF
- JIC
- ORFS
- SAE
- JIS
- BSP-BSPT
- METRIC
- SAE 3000 CODE 61**
- SAE 6000 CODE 62
- TAPERED SAE
- SUPERCAT STYLE
- STAPLE LOCK
- H.P. STAPLE LOCK
- LOK-IT

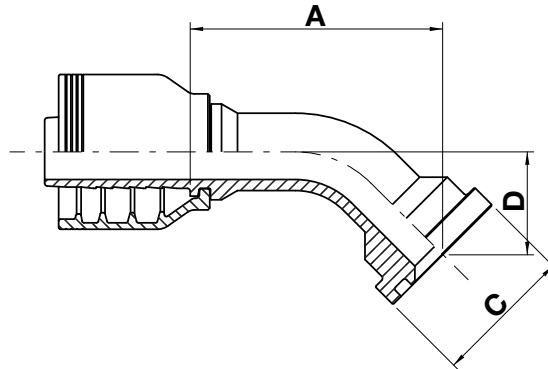
code	ø hose			flange	A		C		D	
	dn	inch	size		mm	in	mm	in	mm	in
AX30J-08-08	12	1/2"	08	1/2"	55,7	2,19	30,2	1,19	14,2	0,56
AX30J-08-12	12	1/2"	08	3/4"	60,1	2,37	38,1	1,50	16,7	0,66
AX30J-12-12	19	3/4"	12	3/4"	68,7	2,70	38,1	1,50	17,6	0,69
AX30J-12-16	19	3/4"	12	1"	67,1	2,64	44,5	1,75	18,4	0,72
AX30J-16-16	25	1"	16	1"	77,0	3,03	44,5	1,75	16,5	0,65
AX30J-16-20	25	1"	16	1.1/4"	72,0	2,83	50,8	2,00	17,7	0,70
AX30J-20-20	31	1.1/4"	20	1.1/4"	94,5	3,72	50,8	2,00	19,0	0,75
AX30J-20-24	31	1.1/4"	20	1.1/2"	90,0	3,54	60,3	2,37	19,0	0,75
AX30J-24-24	38	1.1/2"	24	1.1/2"	103,0	4,06	60,3	2,37	24,2	0,96
AX30J-24-32	38	1.1/2"	24	2"	103,0	4,06	71,4	2,81	24,2	0,96
AX30J-32-32	51	2"	32	2.1/2"	140,3	5,52	71,4	2,81	32,0	1,26
AX30J-40-40	63	2.1/2"	40	3"	114,4	4,50	84,1	3,31	27,7	1,09
AX30J-48-48-30	76	3"	48	3"	121,2	4,78	101,6	4,00	30,7	1,21

AX40J

SAE 3000 code 61 - 45° elbow flange

NO SKIVE

ISO 6162-1 / SAE J518-1



FITTINGS

- NPTF
- JIC
- ORFS
- SAE
- JIS
- BSP-BSPT
- METRIC
- SAE 3000 CODE 61**
- SAE 6000 CODE 62
- TAPERED SAE
- SUPERCAT STYLE
- STAPLE LOCK
- H.P. STAPLE LOCK
- LOK-IT

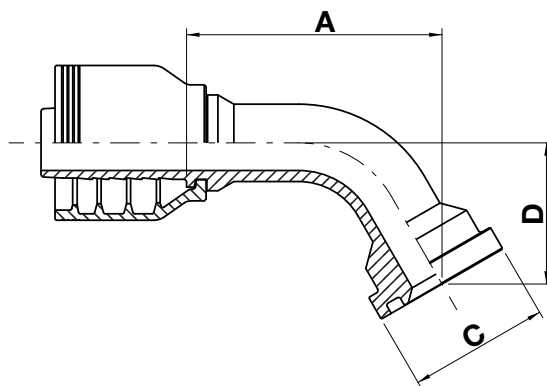
code	ø hose			flange	A		C		D	
	dn	inch	size		mm	in	mm	in	mm	in
AX40J-08-08	12	1/2"	08	1/2"	55,2	2,17	30,2	1,19	21,9	0,86
AX40J-08-12	12	1/2"	08	3/4"	60,1	2,37	38,1	1,50	24,3	0,96
AX40J-10-12	16	5/8"	10	3/4"	66,0	2,60	38,1	1,50	26,9	1,06
AX40J-12-12	19	3/4"	12	3/4"	68,5	2,70	38,1	1,50	27,9	1,10
AX40J-12-16	19	3/4"	12	1"	70,5	2,77	44,5	1,75	29,0	1,14
AX40J-12-20	19	3/4"	12	1.1/4"	70,5	2,78	50,8	2,00	30,6	1,20
AX40J-16-16	25	1"	16	1"	74,4	2,93	44,5	1,75	27,0	1,06
AX40J-16-20	25	1"	16	1.1/4"	76,2	3,00	50,8	2,00	29,0	1,14
AX40J-20-16	31	1.1/4"	20	1"	115,5	4,55	44,5	1,75	43,8	1,72
AX40J-20-20	31	1.1/4"	20	1.1/4"	88,0	3,46	50,8	2,00	31,1	1,22
AX40J-20-24	31	1.1/4"	20	1.1/2"	90,0	3,54	60,3	2,37	31,0	1,22
AX40J-24-24	38	1.1/2"	24	1.1/2"	100,0	3,94	60,3	2,37	39,4	1,55
AX40J-24-32	38	1.1/2"	24	2"	105,0	4,13	71,4	2,81	39,4	1,55
AX40J-32-24	51	2"	32	1.1/2"	122,3	4,81	60,3	2,37	39,4	1,55
AX40J-32-32	51	2"	32	2"	142,3	5,60	71,4	2,81	53,0	2,09
AX40J-32-40	51	2"	32	2.1/2"	164,0	6,46	84,1	3,31	61,0	2,40
AX40J-40-40	63	2.1/2"	40	2.1/2"	134,4	5,29	84,1	3,31	49,0	1,93
AX40J-40-48	63	2.1/2"	40	3"	137,9	5,43	101,6	4,00	52,5	2,07
AX40J-48-48-57	76	3"	48	3"	145,9	5,74	101,6	4,00	57,6	2,27

AX60J

SAE 3000 code 61 - 60° elbow flange

NO SKIVE

ISO 6162-1 / SAE J518-1



J

FITTINGS

- NPTF
- JIC
- ORFS
- SAE
- JIS
- BSP-BSPT
- METRIC
- SAE 3000 CODE 61**
- SAE 6000 CODE 62
- TAPERED SAE
- SUPERCAT STYLE
- STAPLE LOCK
- H.P. STAPLE LOCK
- LOK-IT

code	ø hose			flange	A		C		D	
	dn	inch	size		mm	in	mm	in	mm	in
AX60J-08-08	12	1/2"	08	1/2"	70,7	2,78	30,2	1,19	30,0	1,18
AX60J-08-12	12	1/2"	08	3/4"	73,2	2,88	38,1	1,50	34,5	1,36
AX60J-12-12	19	3/4"	12	3/4"	69,3	2,73	38,1	1,50	38,3	1,51
AX60J-12-16	19	3/4"	12	1"	66,5	2,62	44,5	1,75	39,6	1,56
AX60J-12-20	19	3/4"	12	1.1/4"	76,5	3,01	50,8	2,00	42,0	1,65
AX60J-16-16	25	1"	16	1"	78,7	3,10	44,5	1,75	40,0	1,58
AX60J-16-20	25	1"	16	1.1/4"	84,0	3,31	50,8	2,00	40,0	1,57
AX60J-20-20	31	1.1/4"	20	1.1/4"	94,6	3,72	50,8	2,00	43,9	1,73
AX60J-20-24	31	1.1/4"	20	1.1/2"	97,8	3,85	60,3	2,37	43,8	1,72
AX60J-24-24	38	1.1/2"	24	1.1/2"	114,0	4,49	60,3	2,37	52,0	2,05
AX60J-24-32	38	1.1/2"	24	2"	114,0	4,49	71,4	2,81	55,3	2,18
AX60J-32-32	51	2"	32	2"	157,3	6,19	71,4	2,81	76,0	2,99
AX60J-40-40	63	2.1/2"	40	2.1/2"	138,3	5,44	84,1	3,31	73,4	2,89
AX60J-40-48	63	2.1/2"	40	3"	138,3	5,44	101,6	4,00	73,4	2,89
AX60J-48-48-83	76	3"	48	3"	152	5,98	101,6	4,00	83,0	3,27

For multispiral and wire braid hoses

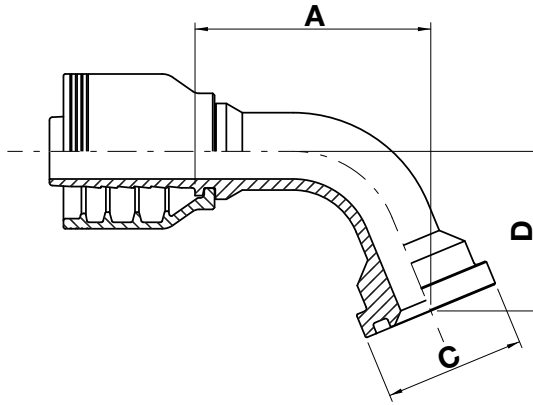
J

AX70J

SAE 3000 code 61 - 67,5° elbow flange

NO SKIVE

ISO 6162-1 / SAE J518-1



FITTINGS

- NPTF
- JIC
- ORFS
- SAE
- JIS
- BSP-BSPT
- METRIC
- SAE 3000 CODE 61**
- SAE 6000 CODE 62
- TAPERED SAE
- SUPERCAT STYLE
- STAPLE LOCK
- H.P. STAPLE LOCK
- LOK-IT

code	ø hose			flange	A		C		D	
	dn	inch	size		mm	in	mm	in	mm	in
AX70J-08-08	12	1/2"	08	1/2"	66,2	2,61	30,2	1,19	34,0	1,34
AX70J-08-12	12	1/2"	08	3/4"	68,2	2,69	30,2	1,19	38,8	1,53
AX70J-12-12	19	3/4"	12	3/4"	64,0	2,52	38,1	1,50	43,3	1,70
AX70J-12-16	19	3/4"	12	1"	64,5	2,54	44,5	1,75	44,7	1,76
AX70J-16-16	25	1"	16	1"	76,0	2,99	44,5	1,75	46,0	1,81
AX70J-16-20	25	1"	16	1.1/4"	81,0	3,19	50,8	2,00	45,6	1,80
AX70J-20-20	31	1.1/4"	20	1.1/4"	93,5	3,68	50,8	2,00	50,3	1,98
AX70J-20-24	31	1.1/4"	20	1.1/2"	95,6	3,76	60,3	2,37	50,2	1,98
AX70J-24-24	38	1.1/2"	24	1.1/2"	108,5	4,27	60,3	2,37	59,5	2,34
AX70J-24-32	38	1.1/2"	24	2"	111,0	4,37	71,4	2,81	63,0	2,48
AX70J-32-32	51	2"	32	2"	155,3	6,11	71,4	2,81	87,5	3,44
AX70J-40-40	63	2.1/2"	40	2.1/2"	140,4	5,53	84,1	3,31	86,3	3,40
AX70J-40-48	63	2.1/2"	40	3"	140,4	5,53	101,6	4,00	86,3	3,40
AX70J-48-48-98	76	3"	48	3"	154,7	6,09	101,6	4,00	98,0	3,86

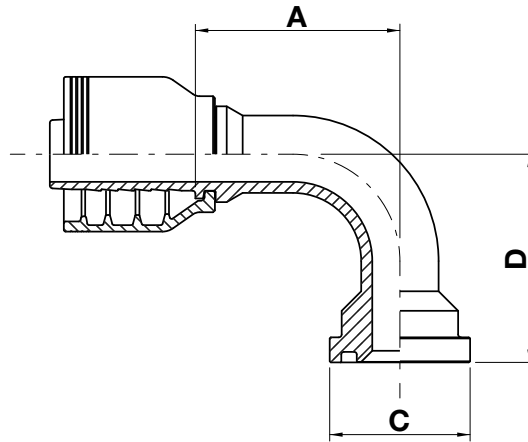
AX90J

J

SAE 3000 code 61 - 90° elbow flange

NO SKIVE

ISO 6162-1 / SAE J518-1



FITTINGS

- NPTF
- JIC
- ORFS
- SAE
- JIS
- BSP-BSPT
- METRIC
- SAE 3000 CODE 61**
- SAE 6000 CODE 62
- TAPERED SAE
- SUPERCAT STYLE
- STAPLE LOCK
- H.P. STAPLE LOCK
- LOK-IT

code	ø hose			flange	A		C		D	
	dn	inch	size		mm	in	mm	in	mm	in
AX90J-08-08	12	1/2"	08	1/2"	46,5	1,83	30,2	1,19	45,0	1,77
AX90J-08-12	12	1/2"	08	3/4"	49,0	2,00	38,1	1,50	49,5	1,95
AX90J-10-12	16	5/8"	10	3/4"	55,5	2,19	38,1	1,50	55,0	2,17
AX90J-12-12	19	3/4"	12	3/4"	55,5	2,19	38,1	1,50	56,5	2,22
AX90J-12-16	19	3/4"	12	1"	55,5	2,19	44,5	1,75	58,0	2,28
AX90J-12-20	19	3/4"	12	1.1/4"	62,2	2,45	50,8	2,00	62,0	2,44
AX90J-16-16	25	1"	16	1"	70,0	2,76	44,5	1,75	61,0	2,40
AX90J-16-20	25	1"	16	1.1/4"	69,9	2,75	50,8	2,00	61,0	2,40
AX90J-16-24	25	1"	16	1.1/2"	79,0	3,11	60,3	2,37	73,0	2,87
AX90J-20-16	31	1.1/4"	20	1"	102,0	4,02	44,5	1,75	93,0	3,66
AX90J-20-20	31	1.1/4"	20	1.1/4"	86,8	3,42	50,8	2,00	69,2	2,72
AX90J-20-24	31	1.1/4"	20	1.1/2"	85,0	3,35	60,3	2,37	69,2	2,72
AX90J-24-24	38	1.1/2"	24	1.1/2"	104,0	4,09	60,3	2,37	81,0	3,19
AX90J-24-32	38	1.1/2"	24	2"	102,0	4,02	71,4	2,81	85,0	3,35
AX90J-32-24	51	2"	32	1.1/2"	115,0	4,53	60,4	2,38	81,0	3,19
AX90J-32-32	51	2"	32	2"	132,3	5,21	71,4	2,81	123,0	4,84
AX90J-32-40	51	2"	32	2.1/2"	151,0	5,94	84,1	3,31	132,0	5,20
AX90J-40-40	63	2.1/2"	40	2.1/2"	136,2	5,36	84,1	3,31	125,0	4,92
AX90J-40-48	63	2.1/2"	40	3"	136,2	5,36	101,6	4,00	125,0	4,92
AX90J-40-48	76	3"	48	3"	132,7	5,22	101,6	4,00	114,0	4,49

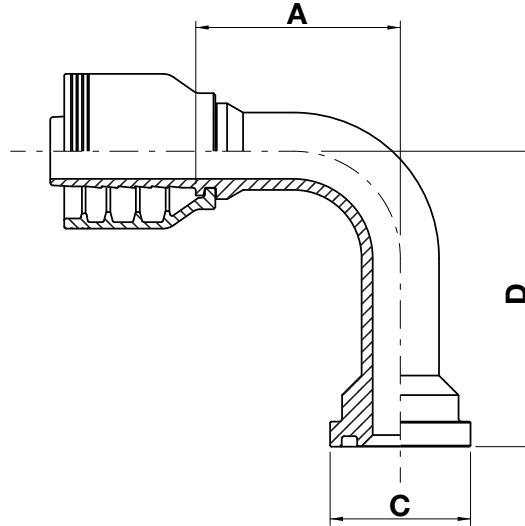
AX90J-L



SAE 3000 code 61 - 90° elbow flange (long drop)

NO SKIVE

ISO 6162-1 / SAE J518-1



FITTINGS

- NPTF
- JIC
- ORFS
- SAE
- JIS
- BSP-BSPT
- METRIC
- SAE 3000 CODE 61**
- SAE 6000 CODE 62
- TAPERED SAE
- SUPERCAT STYLE
- STAPLE LOCK
- H.P. STAPLE LOCK
- LOK-IT

code	ø hose			flange	A		C		D	
	dn	inch	size		mm	in	mm	in	mm	in
AX90J-12-12-95	19	3/4"	12	3/4"	62,2	2,45	38,1	1,50	95,0	3,74
AX90J-12-12-100	19	3/4"	12	3/4"	62,2	2,45	38,1	1,50	100,0	3,94
AX90J-12-12-125	19	3/4"	12	3/4"	62,2	2,45	38,1	1,50	125,0	4,92
AX90J-12-16-100	19	3/4"	12	1"	61,2	2,41	44,5	1,75	100,0	3,94
AX90J-12-16-120	19	3/4"	12	1"	61,2	2,41	44,5	1,75	120,0	4,72
AX90J-16-16-120	25	1"	16	1"	79,0	3,11	44,5	1,75	120,0	4,72
AX90J-16-20-120	25	1"	16	1.1/4"	75,0	2,95	50,8	2,00	120,0	4,72
AX90J-20-20-100	31	1.1/4"	20	1.1/4"	87,0	3,43	50,8	2,00	100,0	3,94
AX90J-20-20-120	31	1.1/4"	20	1.1/4"	87,0	3,43	50,8	2,00	120,0	4,72
AX90J-20-20-130	31	1.1/4"	20	1.1/4"	87,0	3,43	50,8	2,00	130,0	5,12
AX90J-20-20-170	31	1.1/4"	20	1.1/4"	87,0	3,43	50,8	2,00	170,0	6,69
AX90J-20-24-117	31	1.1/4"	20	1.1/2"	89,0	3,50	60,3	2,37	117,0	4,61
AX90J-20-24-130	31	1.1/4"	20	1.1/2"	87,0	3,43	60,3	2,37	130,0	5,12
AX90J-20-24-170	31	1.1/4"	20	1.1/2"	89,0	3,50	60,3	2,37	170,0	6,69
AX90J-24-24-150	38	1.1/2"	24	1.1/2"	104,0	4,09	60,3	2,37	150,0	5,91
AX90J-24-24-170	38	1.1/2"	24	1.1/2"	104,0	4,09	60,3	2,37	170,0	6,69
AX90J-24-32-114	38	1.1/2"	24	2"	106,0	4,17	71,4	2,81	114,0	4,49
AX90J-32-24-120	51	2"	32	1.1/2"	115,0	4,53	60,3	2,37	120,0	4,72
AX90J-32-24-220	51	2"	32	1.1/2"	115,0	4,53	60,3	2,37	220,0	8,66



For multispiral and wire braid hoses

← **AX90J-L**

J

NO SKIVE

code	ø hose			flange	A		C		D	
	dn	inch	size		mm	in	mm	in	mm	in
AX90J-32-32-165	51	2"	32	2"	143,0	5,63	71,4	2,81	165,0	6,50
AX90J-32-32-203	51	2"	32	2"	132,3	5,21	71,4	2,81	203,0	7,99
AX90J-40-32-121	63	2.1/2"	40	2"	117,0	4,60	71,4	2,81	121,0	4,76
AX90J-48-48-145	76	3"	48	3"	151,8	5,98	101,6	4,00	145,0	5,71

FITTINGS

- NPTF
- JIC
- ORFS
- SAE
- JIS
- BSP-BSPT
- METRIC
- SAE 3000 CODE 61**
- SAE 6000 CODE 62
- TAPERED SAE
- SUPERCAT STYLE
- STAPLE LOCK
- H.P. STAPLE LOCK
- LOK-IT



For multispiral and wire braid hoses

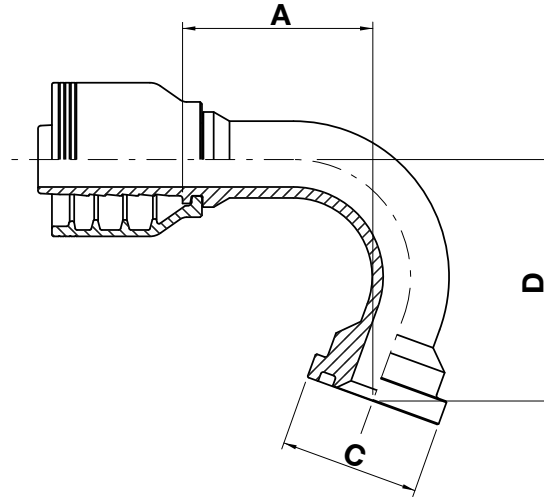
J

AX110J

SAE 3000 code 61 - 110° elbow flange

NO SKIVE

ISO 6162-1 / SAE J518-1



FITTINGS

- NPTF
- JIC
- ORFS
- SAE
- JIS
- BSP-BSPT
- METRIC
- SAE 3000 CODE 61**
- SAE 6000 CODE 62
- TAPERED SAE
- SUPERCAT STYLE
- STAPLE LOCK
- H.P. STAPLE LOCK
- LOK-IT

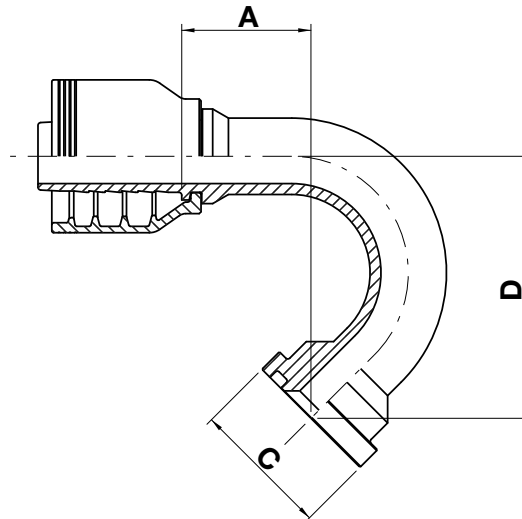
code	ø hose			flange	A		C		D	
	dn	inch	size		mm	in	mm	in	mm	in
AX110J-12-12	19	3/4"	12	3/4"	52,0	2,05	38,1	1,50	66,0	2,60
AX110J-16-16	25	1"	16	1"	84,0	3,31	44,5	1,75	78,0	3,07
AX110J-16-20-133	25	1"	16	1.1/4"	42,3	1,66	50,8	2,00	133,0	5,24
AX110J-20-20	31	1.1/4"	20	1.1/4"	76,0	2,99	50,8	2,00	81,5	3,21
AX110J-20-24	31	1.1/4"	20	1.1/2"	76,0	2,99	60,3	2,37	81,5	3,21
AX110J-24-24	38	1.1/2"	24	1.1/2"	90,0	3,54	60,3	2,37	96,2	3,79
AX110J-24-24-118	38	1.1/2"	24	1.1/2"	82,5	3,25	60,3	2,37	118,0	4,65
AX110J-32-24	51	2"	32	1.1/2"	105,0	4,13	60,3	2,37	96,2	3,79
AX110J-32-32	51	2"	32	2"	118,8	4,68	71,4	2,81	145,0	5,71

AX135J

SAE 3000 code 61 - 135° elbow flange

NO SKIVE

ISO 6162-1 / SAE J518-1



J

FITTINGS

- NPTF
- JIC
- ORFS
- SAE
- JIS
- BSP-BSPT
- METRIC
- SAE 3000 CODE 61**
- SAE 6000 CODE 62
- TAPERED SAE
- SUPERCAT STYLE
- STAPLE LOCK
- H.P. STAPLE LOCK
- LOK-IT

code	ø hose			flange	A		C		D	
	dn	inch	size		mm	in	mm	in	mm	in
AX135J-12-12	19	3/4"	12	3/4"	35,5	1,40	38,1	1,50	72,0	2,83
AX135J-16-16	25	1"	16	1"	73,7	2,90	44,5	1,75	87,3	3,44
AX135J-20-20	31	1.1/4"	20	1.1/4"	79,5	3,13	50,8	2,00	89,0	3,50
AX135J-24-24	38	1.1/2"	24	1.1/2"	83,0	3,27	60,3	2,37	110,0	4,33
AX135J-32-32	51	2"	32	2"	104,0	4,10	71,4	2,81	160,0	6,30

For multispiral and wire braid hoses

AY10J

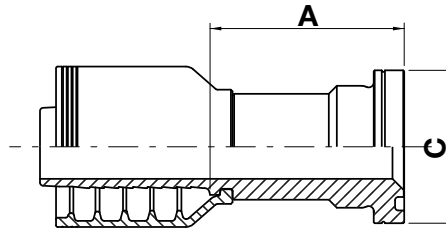
SAE 6000 code 62 straight flange

NO SKIVE

ISO 6162-2 / SAE J518-2

FITTINGS

NPTF
 JIC
 ORFS
 SAE
 JIS
 BSP-BSPT
 METRIC
 SAE 3000 CODE 61
SAE 6000 CODE 62
 TAPERED SAE
 SUPERCAT STYLE
 STAPLE LOCK
 H.P. STAPLE LOCK
 LOK-IT



code	ø hose			flange	A		C	
	dn	inch	size		mm	in	mm	in
AY10J-08-08	12	1/2"	08	1/2"	46,0	1,81	31,7	1,25
AY10J-08-12	12	1/2"	08	3/4"	43,8	1,72	41,3	1,63
AY10J-10-08	16	5/8"	10	1/2"	42,5	1,67	31,7	1,25
AY10J-10-12	16	5/8"	10	3/4"	43,0	1,69	41,3	1,63
AY10J-12-12	19	3/4"	12	3/4"	43,5	1,71	41,3	1,63
AY10J-12-16	19	3/4"	12	1"	59,0	2,32	47,6	1,88
AY10J-16-12	25	1"	16	3/4"	56,0	2,2	41,3	1,63
AY10J-16-16	25	1"	16	1"	60,5	2,38	47,6	1,88
AY10J-16-20	25	1"	16	1.1/4"	67,5	2,66	54,0	2,13
AY10J-20-16	31	1.1/4"	20	1"	67,5	2,66	47,6	1,87
AY10J-20-20	31	1.1/4"	20	1.1/4"	72,0	2,83	54,0	2,13
AY10J-20-24	31	1.1/4"	20	1.1/2"	81,5	3,21	63,5	2,50
AY10J-24-20	38	1.1/2"	24	1.1/4"	70,0	2,76	54,0	2,13
AY10J-24-24	38	1.1/2"	24	1.1/2"	76,0	2,99	63,5	2,50
AY10J-24-32	38	1.1/2"	24	2"	78,0	3,07	79,4	3,13
AY10J-32-32	51	2"	32	2"	88,5	3,48	79,4	3,13
AY10J-40-40	63	2.1/2"	40	2.1/2"	131,0	5,16	107,7	4,24
AY10J-48-48	76	3"	48	3"	222,5	8,76	131,7	5,19

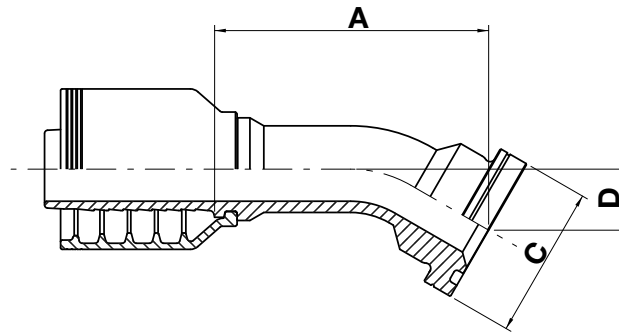
For multispiral and wire braid hoses

AY30J

SAE 6000 code 62 - 30° elbow flange

NO SKIVE

ISO 6162-2 / SAE J518-2



J

FITTINGS

- NPTF
- JIC
- ORFS
- SAE
- JIS
- BSP-BSPT
- METRIC
- SAE 3000 CODE 61
- SAE 6000 CODE 62**
- TAPERED SAE
- SUPERCAT STYLE
- STAPLE LOCK
- H.P. STAPLE LOCK
- LOK-IT

code	ø hose			flange	A		C		D	
	dn	inch	size		mm	in	mm	in	mm	in
AY30J-16-16	25	1"	16	1"	90,0	3,54	47,6	1,87	19,0	0,75
AY30J-16-20	25	1"	16	1,1/4"	101,0	3,98	54,0	2,13	25,0	0,98
AY30J-20-20	31	1.1/4"	20	1.1/4"	124,5	4,90	54,0	2,13	27,1	1,07
AY30J-24-24	38	1.1/2"	24	1.1/2"	119,5	4,70	60,3	2,37	29,0	1,14
AY30J-32-32	51	2"	32	2"	160,5	6,32	79,4	3,13	39,0	1,54

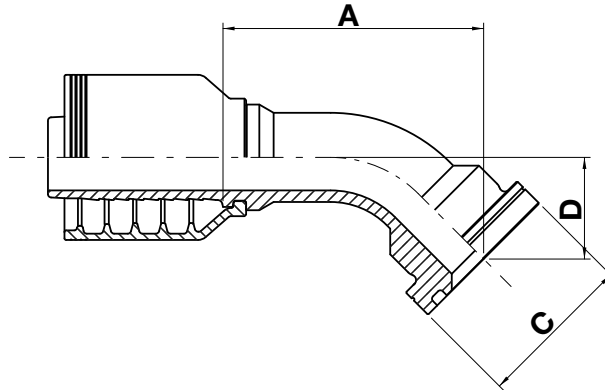
For multispiral and wire braid hoses

AY40J

SAE 6000 code 62 - 45° elbow flange

NO SKIVE

ISO 6162-2 / SAE J518-2



FITTINGS

NPTF
JIC
ORFS
SAE
JIS
BSP-BSPT
METRIC
SAE 3000 CODE 61
SAE 6000 CODE 62
TAPERED SAE
SUPERCAT STYLE
STAPLE LOCK
H.P. STAPLE LOCK
LOK-IT

code	ø hose			flange	A		C		D	
	dn	inch	size		mm	in	mm	in	mm	in
AY40J-08-08	12	1/2"	08	1/2"	56,0	2,20	31,7	1,25	23,3	0,92
AY40J-08-12	12	1/2"	08	3/4"	66,5	2,62	41,3	1,63	30,0	1,18
AY40J-10-08	16	5/8"	10	1/2"	70,0	2,75	31,7	1,25	24,8	0,97
AY40J-10-12	16	5/8"	10	3/4"	68,0	2,68	41,3	1,63	29,0	1,14
AY40J-12-12	19	3/4"	12	3/4"	68,7	2,70	41,3	1,63	27,9	1,10
AY40J-12-16	19	3/4"	12	1"	74,7	2,94	47,6	1,90	33,9	1,33
AY40J-16-12	25	1"	16	3/4"	86,0	3,38	41,3	1,63	31,8	1,25
AY40J-16-16	25	1"	16	1"	78,9	3,11	47,6	1,88	30,8	1,21
AY40J-16-20	25	1"	16	1.1/4"	92,0	3,62	54,0	2,13	39,0	1,54
AY40J-20-16	31	1.1/4"	20	1"	115,5	4,55	47,6	1,90	38,1	1,50
AY40J-20-20	31	1.1/4"	20	1.1/4"	115,5	4,55	54,0	2,13	43,8	1,72
AY40J-20-24	31	1.1/4"	20	1.1/2"	117,5	4,63	63,5	2,50	48,0	1,89
AY40J-24-20	38	1.1/2"	24	1.1/4"	114,2	4,50	54,0	2,13	43,8	1,72
AY40J-24-24	38	1.1/2"	24	1.1/2"	126,0	4,96	63,5	2,50	47,4	1,87
AY40J-24-32	38	1.1/2"	24	2"	133,8	5,27	79,4	3,13	57,7	2,27
AY40J-32-24	51	2"	32	1.1/2"	150,4	5,92	63,5	2,50	47,4	1,87
AY40J-32-32	51	2"	32	2"	169,0	6,65	79,4	3,13	64,0	2,52

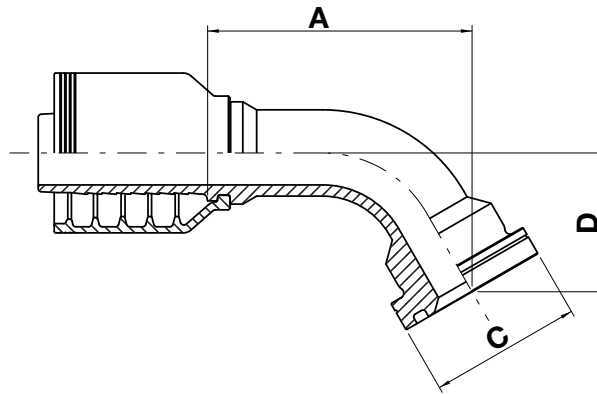
For multispiral and wire braid hoses

AY60J

SAE 6000 code 62 - 60° elbow flange

NO SKIVE

ISO 6162-2 / SAE J518-2



J

- FITTINGS**
- NPTF
 - JIC
 - ORFS
 - SAE
 - JIS
 - BSP-BSPT
 - METRIC
 - SAE 3000 CODE 61
 - SAE 6000 CODE 62**
 - TAPERED SAE
 - SUPERCAT STYLE
 - STAPLE LOCK
 - H.P. STAPLE LOCK
 - LOK-IT

code	ø hose			flange	A		C		D	
	dn	inch	size		mm	in	mm	in	mm	in
AY60J-16-16	25	1"	16	3/4"	101,4	3,99	47,6	1,88	43,4	1,71
AY60J-16-20	25	1"	16	1.1/4"	93,3	3,67	54,0	2,13	54,7	2,15
AY60J-20-20	31	1.1/4"	20	1.1/4"	112,5	4,43	54,0	2,13	55,1	2,17
AY60J-24-24	38	1.1/2"	24	1.1/2"	132,0	5,19	63,5	2,50	67,0	2,64
AY60J-32-32	51	2"	32	2"	170,6	6,72	79,4	3,13	90,0	3,54

For multispiral and wire braid hoses

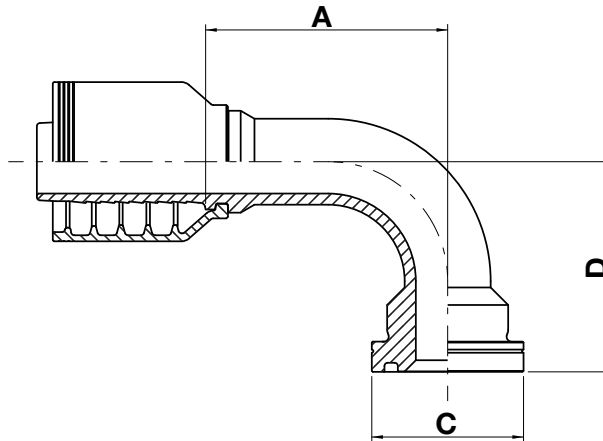
J

AY90J

SAE 6000 code 62 - 90° elbow flange

NO SKIVE

ISO 6162-2 / SAE J518-2



FITTINGS

- NPTF
- JIC
- ORFS
- SAE
- JIS
- BSP-BSPT
- METRIC
- SAE 3000 CODE 61
- SAE 6000 CODE 62**
- TAPERED SAE
- SUPERCAT STYLE
- STAPLE LOCK
- H.P. STAPLE LOCK
- LOK-IT

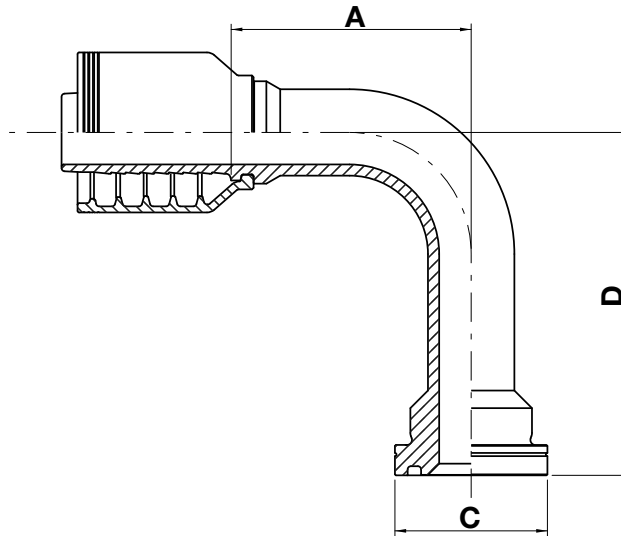
code	ø hose			flange	A		C		D	
	dn	inch	size		mm	in	mm	in	mm	in
AY90J-08-08	12	1/2"	08	1/2"	49,7	1,96	31,7	1,25	47,0	1,85
AY90J-08-12	12	1/2"	08	3/4"	46,2	1,82	41,3	1,63	56,0	2,20
AY90J-10-08	16	5/8"	10	1/2"	55,0	2,16	31,7	1,25	52,0	2,05
AY90J-10-12	16	5/8"	10	3/4"	53,5	2,11	41,3	1,63	58,0	2,28
AY90J-12-12	19	3/4"	12	3/4"	55,5	2,19	41,3	1,63	56,5	2,22
AY90J-12-16	19	3/4"	12	1"	55,5	2,19	47,6	1,88	78,0	3,07
AY90J-16-16	25	1"	16	1"	76,0	2,99	47,6	1,88	66,0	2,60
AY90J-16-20	25	1"	16	1.1/4"	78,0	3,07	54,0	2,13	80,5	3,17
AY90J-20-16	31	1.1/4"	20	1"	104,0	4,09	47,6	1,87	85,0	3,35
AY90J-20-20	31	1.1/4"	20	1.1/4"	104,0	4,09	54,0	2,13	86,0	3,39
AY90J-20-24	31	1.1/4"	20	1.1/2"	104,2	4,10	63,5	2,50	98,0	3,86
AY90J-24-24	38	1.1/2"	24	1.1/2"	111,0	4,37	63,5	2,50	104,0	4,09
AY90J-24-32	38	1.1/2"	24	2"	113,0	4,45	79,4	3,13	119,5	4,70
AY90J-32-32	51	2"	32	2"	149,3	5,88	79,4	3,13	134,0	5,28

AY90J-L

SAE 6000 code 62 - 90° elbow flange (long drop)

NO SKIVE

ISO 6162-2 / SAE J518-2



J

FITTINGS

- NPTF
- JIC
- ORFS
- SAE
- JIS
- BSP-BSPT
- METRIC
- SAE 3000 CODE 61
- SAE 6000 CODE 62**
- TAPERED SAE
- SUPERCAT STYLE
- STAPLE LOCK
- H.P. STAPLE LOCK
- LOK-IT

code	ø hose			flange	A		C		D	
	dn	inch	size		mm	in	mm	in	mm	in
AY90J-16-16-120	25	1"	16	1"	75,0	2,95	47,6	1,9	120,0	4,72
AY90J-16-20-120	25	1"	16	1.1/4"	78,5	3,09	54,0	2,13	120,0	4,72
AY90J-20-20-130	31	1.1/4"	20	1.1/4"	104,0	4,09	54,0	2,13	130,0	5,12
AY90J-20-20-150	31	1.1/4"	20	1.1/4"	104,0	4,09	54,0	2,13	150,0	5,91

AY13J

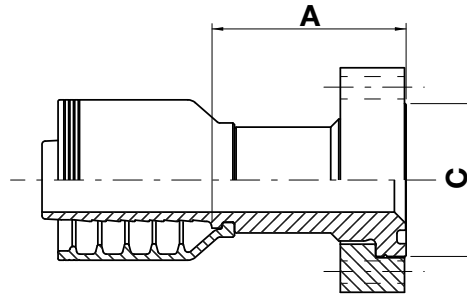
SAE 6000 code 62 straight flange and captive pre-assembled counterflange

NO SKIVE

ISO 6162-2 / SAE J518-2

FITTINGS

- NPTF
- JIC
- ORFS
- SAE
- JIS
- BSP-BSPT
- METRIC
- SAE 3000 CODE 61
- SAE 6000 CODE 62**
- TAPERED SAE
- SUPERCAT STYLE
- STAPLE LOCK
- H.P. STAPLE LOCK
- LOK-IT



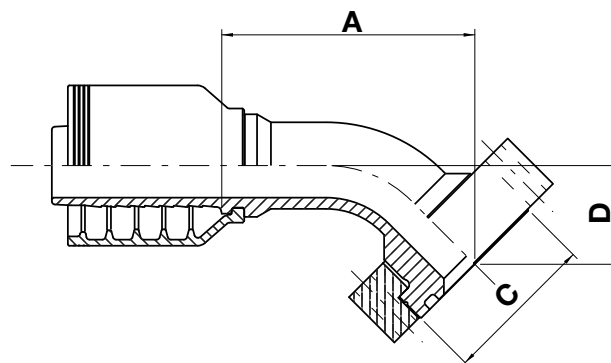
code	ø hose			flange	A		C	
	dn	inch	size		mm	in	mm	in
AY13J-08-08	12	1/2"	08	1/2"	46,0	1,81	31,7	1,25
AY13J-08-12	12	1/2"	08	3/4"	43,8	1,72	41,3	1,63
AY13J-10-08	16	5/8"	10	1/2"	42,5	1,67	31,7	1,25
AY13J-10-12	16	5/8"	10	3/4"	43,0	1,69	41,3	1,63
AY13J-12-12	19	3/4"	12	3/4"	43,5	1,71	41,3	1,63
AY13J-12-16	19	3/4"	12	1"	59,0	2,32	47,6	1,88
AY13J-16-12	25	1"	16	3/4"	56,0	2,2	41,3	1,63
AY13J-16-16	25	1"	16	1"	60,5	2,38	47,6	1,88
AY13J-16-20	25	1"	16	1.1/4"	67,5	2,66	54,0	2,13
AY13J-20-16	31	1.1/4"	20	1"	67,5	2,66	47,6	1,87
AY13J-20-20	31	1.1/4"	20	1.1/4"	72,0	2,83	54,0	2,13
AY13J-20-24	31	1.1/4"	20	1.1/2"	81,5	3,21	63,5	2,50
AY13J-24-20	38	1.1/2"	24	1.1/4"	70,0	2,76	54,0	2,13
AY13J-24-24	38	1.1/2"	24	1.1/2"	76,0	2,99	63,5	2,50
AY13J-24-32	38	1.1/2"	24	2"	78,0	3,07	79,4	3,13
AY13J-32-32	51	2"	32	2"	88,5	3,48	79,4	3,13
AY13J-40-40	63	2.1/2"	40	2.1/2"	131,0	5,16	107,7	4,24
AY13J-48-48	76	3"	48	3"	222,5	8,76	131,7	5,19

AY43J

SAE 6000 code 62 - 45° elbow flange and captive pre-assembled counterflange

NO SKIVE

ISO 6162-2 / SAE J518-2



J

FITTINGS

- NPTF
- JIC
- ORFS
- SAE
- JIS
- BSP-BSPT
- METRIC
- SAE 3000 CODE 61
- SAE 6000 CODE 62**
- TAPERED SAE
- SUPERCAT STYLE
- STAPLE LOCK
- H.P. STAPLE LOCK
- LOK-IT

code	ø hose			flange	A		C		D	
	dn	inch	size		mm	in	mm	in	mm	in
AY43J-08-08	12	1/2"	08	1/2"	56,0	2,20	31,7	1,25	23,3	0,92
AY43J-08-12	12	1/2"	08	3/4"	66,5	2,62	41,3	1,63	30,0	1,18
AY43J-10-08	16	5/8"	10	1/2"	70,0	2,75	31,7	1,25	24,8	0,97
AY43J-10-12	16	5/8"	10	3/4"	68,0	2,68	41,3	1,63	29,0	1,14
AY43J-12-12	19	3/4"	12	3/4"	68,7	2,70	41,3	1,63	27,9	1,10
AY43J-12-16	19	3/4"	12	1"	74,7	2,94	47,6	1,90	33,9	1,33
AY43J-16-12	25	1"	16	3/4"	86,0	3,38	41,3	1,63	31,8	1,25
AY43J-16-16	25	1"	16	1"	78,9	3,11	47,6	1,88	30,8	1,21
AY43J-16-20	25	1"	16	1.1/4"	92,0	3,62	54,0	2,13	39,0	1,54
AY43J-20-16	31	1.1/4"	20	1"	115,5	4,55	47,6	1,90	38,1	1,50
AY43J-20-20	31	1.1/4"	20	1.1/4"	115,5	4,55	54,0	2,13	43,8	1,72
AY43J-20-24	31	1.1/4"	20	1.1/2"	117,5	4,63	63,5	2,50	48,0	1,89
AY43J-24-20	38	1.1/2"	24	1.1/4"	114,2	4,50	54,0	2,13	43,8	1,72
AY43J-24-24	38	1.1/2"	24	1.1/2"	126,0	4,96	63,5	2,50	47,4	1,87
AY43J-24-32	38	1.1/2"	24	2"	133,8	5,27	79,4	3,13	57,7	2,27
AY43J-32-24	51	2"	32	1.1/2"	150,4	5,92	63,5	2,50	47,4	1,87
AY43J-32-32	51	2"	32	2"	169,0	6,65	79,4	3,13	64,0	2,52

For multispiral and wire braid hoses

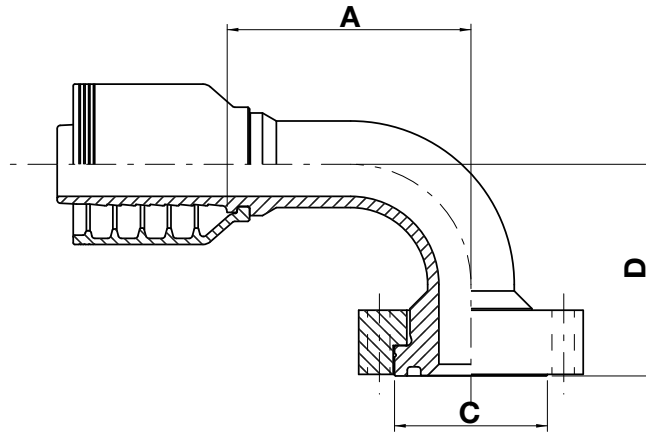
J

AY93J

SAE 6000 code 62 - 90° elbow flange and captive pre-assembled counterflange

NO SKIVE

ISO 6162-2 / SAE J518-2



FITTINGS

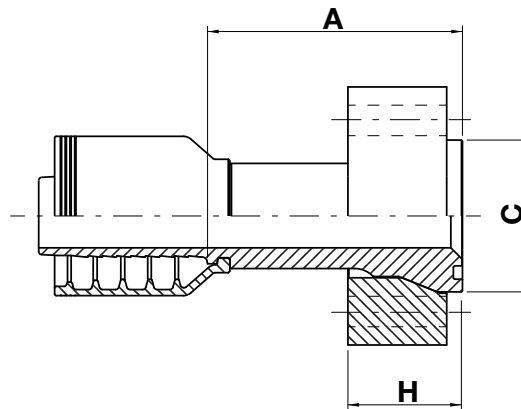
- NPTF
- JIC
- ORFS
- SAE
- JIS
- BSP-BSPT
- METRIC
- SAE 3000 CODE 61
- SAE 6000 CODE 62**
- TAPERED SAE
- SUPERCAT STYLE
- STAPLE LOCK
- H.P. STAPLE LOCK
- LOK-IT

code	ø hose			flange	A		C		D	
	dn	inch	size		mm	in	mm	in	mm	in
AY93J-08-08	12	1/2"	08	1/2"	49,7	1,96	31,7	1,25	47,0	1,85
AY93J-08-12	12	1/2"	08	3/4"	46,2	1,82	41,3	1,63	56,0	2,20
AY93J-10-08	16	5/8"	10	1/2"	55,0	2,16	31,7	1,25	52,0	2,05
AY93J-10-12	16	5/8"	10	3/4"	53,5	2,11	41,3	1,63	58,0	2,28
AY93J-12-12	19	3/4"	12	3/4"	55,5	2,19	41,3	1,63	56,5	2,22
AY93J-12-16	19	3/4"	12	1"	55,5	2,19	47,6	1,88	78,0	3,07
AY93J-16-16	25	1"	16	1"	76,0	2,99	47,6	1,88	66,0	2,60
AY93J-16-20	25	1"	16	1.1/4"	78,0	3,07	54,0	2,13	80,5	3,17
AY93J-20-16	31	1.1/4"	20	1"	104,0	4,09	47,6	1,87	85,0	3,35
AY93J-20-20	31	1.1/4"	20	1.1/4"	104,0	4,09	54,0	2,13	86,0	3,39
AY93J-20-24	31	1.1/4"	20	1.1/2"	104,2	4,10	63,5	2,50	98,0	3,86
AY93J-24-24	38	1.1/2"	24	1.1/2"	111,0	4,37	63,5	2,50	104,0	4,09
AY93J-24-32	38	1.1/2"	24	2"	113,0	4,45	79,4	3,13	119,5	4,70
AY93J-32-32	51	2"	32	2"	149,3	5,88	79,4	3,13	134,0	5,28

AL13J

Tapered SAE straight flange

NO SKIVE



FITTINGS

- NPTF
- JIC
- ORFS
- SAE
- JIS
- BSP-BSPT
- METRIC
- SAE 3000 CODE 61
- SAE 6000 CODE 62
- TAPERED SAE**
- SUPERCAT STYLE
- STAPLE LOCK
- H.P. STAPLE LOCK
- LOK-IT

code	ø hose			flange	A		C		H	
	dn	inch	size		mm	in	mm	in	mm	in
AL13J-16-16	25	1"	16	1"	80,0	3,15	47,6	1,87	36,0	1,42
AL13J-16-20	25	1"	16	1.1/4"	79,0	3,11	54,0	2,12	43,0	1,69
AL13J-20-20	32	1.1/4"	20	1.1/4"	82	3,23	54,0	2,12	43,0	1,69

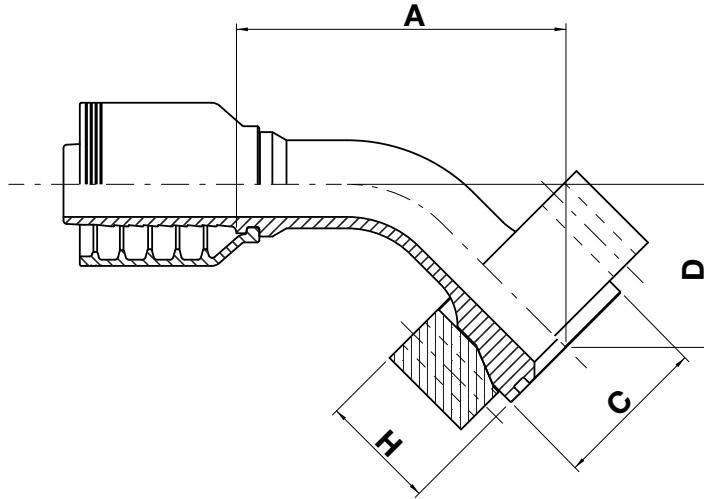
For multispiral and wire braid hoses

J

AL43J

Tapered SAE - 45° elbow flange

NO SKIVE



FITTINGS

- NPTF
- JIC
- ORFS
- SAE
- JIS
- BSP-BSPT
- METRIC
- SAE 3000 CODE 61
- SAE 6000 CODE 62

TAPERED SAE

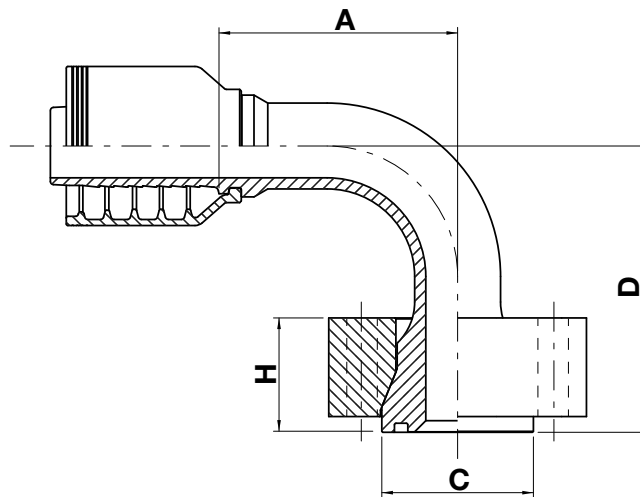
- SUPERCAT STYLE
- STAPLE LOCK
- H.P. STAPLE LOCK
- LOK-IT

code	ø hose			flange	A		D		C		H	
	dn	inch	size		mm	in	mm	in	mm	in	mm	in
AL43J-16-16	25	1"	16	1"	101,0	3,98	50,0	1,97	47,6	1,87	36,0	1,42
AL43J-16-20	25	1"	16	1.1/4"	104,0	4,09	50,0	1,97	54,0	2,12	43,0	1,69
AL43J-20-20	32	1.1/4"	20	1.1/4"	127,0	5,00	60,0	2,36	54,0	2,12	43,0	1,69

AL93J

Tapered SAE - 90° elbow flange

NO SKIVE



J

FITTINGS

- NPTF
- JIC
- ORFS
- SAE
- JIS
- BSP-BSPT
- METRIC
- SAE 3000 CODE 61
- SAE 6000 CODE 62
- TAPERED SAE**
- SUPERCAT STYLE
- STAPLE LOCK
- H.P. STAPLE LOCK
- LOK-IT

code	ø hose			flange	A		D		C		H	
	dn	inch	size		mm	in	mm	in	mm	in	mm	in
AL93J-16-16	25	1"	16	1"	75,0	2,95	90,0	3,54	47,6	1,87	36,0	1,42
AL93J-16-20	25	1"	16	1.1/4"	81,0	3,19	105,0	4,13	54,0	2,12	43,0	1,69
AL93J-20-20	32	1.1/4"	20	1.1/4"	98,0	3,86	120,0	4,74	54,0	2,12	43,0	1,69

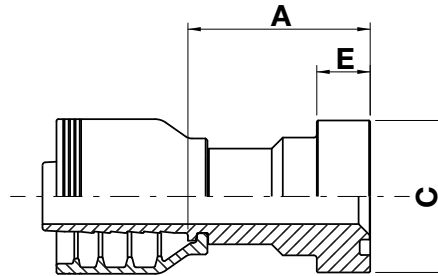
For multispiral and wire braid hoses

J

AY1CJ

“SUPERCAT” style straight flange

NO SKIVE



FITTINGS

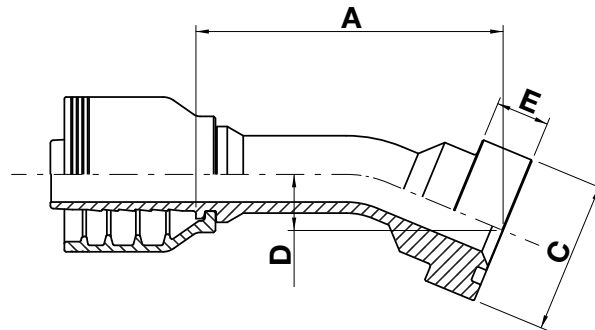
- NPTF
- JIC
- ORFS
- SAE
- JIS
- BSP-BSPT
- METRIC
- SAE 3000 CODE 61
- SAE 6000 CODE 62
- TAPERED SAE
- SUPERCAT STYLE**
- STAPLE LOCK
- H.P. STAPLE LOCK
- LOK-IT

code	ø hose			flange	A		C		E	
	dn	inch	size		mm	in	mm	in	mm	in
AY1CJ-12-12	19	3/4"	12	3/4"	49,5	1,95	41,3	1,63	14,5	0,57
AY1CJ-12-16	19	3/4"	12	1"	64,0	2,51	47,6	1,87	14,5	0,57
AY1CJ-16-16	25	1"	16	1"	65,5	2,58	47,6	1,88	14,5	0,57
AY1CJ-16-20	25	1"	16	1.1/4"	73,0	2,87	54,0	2,13	14,5	0,57
AY1CJ-20-20	31	1.1/4"	20	1.1/4"	76,0	2,99	54,0	2,13	14,5	0,57
AY1CJ-20-24	31	1.1/4"	20	1.1/2"	83,5	3,29	63,5	2,50	14,5	0,57
AY1CJ-24-24	38	1.1/2"	24	1.1/2"	78,0	3,07	63,5	2,50	14,5	0,57
AY1CJ-32-32	51	2"	32	2"	90,5	3,56	79,4	3,13	14,5	0,57

AY2CJ

“SUPERCAT” style - 22,5° elbow flange

NO SKIVE



J

-
- FITTINGS**
- NPTF
 - JIC
 - ORFS
 - SAE
 - JIS
 - BSP-BSPT
 - METRIC
 - SAE 3000 CODE 61
 - SAE 6000 CODE 62
 - TAPERED SAE
 - SUPERCAT STYLE**
 - STAPLE LOCK
 - H.P. STAPLE LOCK
 - LOK-IT

code	ø hose			flange	A		C		D		E	
	dn	inch	size		mm	in	mm	in	mm	in	mm	in
AY2CJ-12-12	19	3/4"	12	3/4"	83,4	3,28	41,3	1,63	15,2	0,60	14,5	0,57
AY2CJ-16-16	25	1"	16	1"	92,1	3,63	54,0	2,13	16,0	0,63	14,5	0,57
AY2CJ-16-20	25	1"	16	1.1/4"	106,4	4,19	54,0	2,13	19,8	0,78	14,5	0,57
AY2CJ-20-20	31	1.1/4"	20	1.1/4"	131,5	5,18	54,0	2,13	21,0	0,83	14,5	0,57
AY2CJ-20-24	31	1.1/4"	20	1.1/2"	133,0	5,24	63,5	2,50	22,0	0,87	14,5	0,57
AY2CJ-24-24	38	1.1/2"	24	1.1/2"	140,5	5,53	63,5	2,50	21,3	0,84	14,5	0,57
AY2CJ-32-32	51	2"	32	2"	154,6	6,09	79,4	3,13	28,5	1,12	14,5	0,57

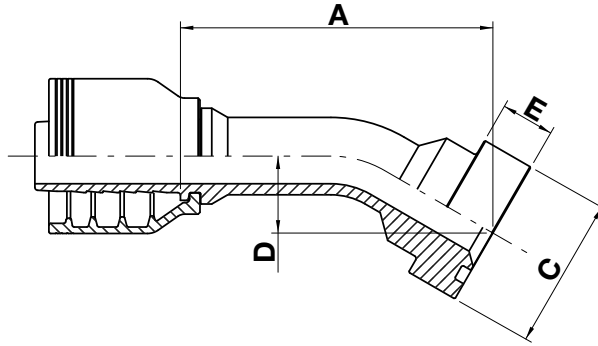
For multispiral and wire braid hoses

J

AY3CJ

“SUPERCAT” style - 30° elbow flange

NO SKIVE



FITTINGS

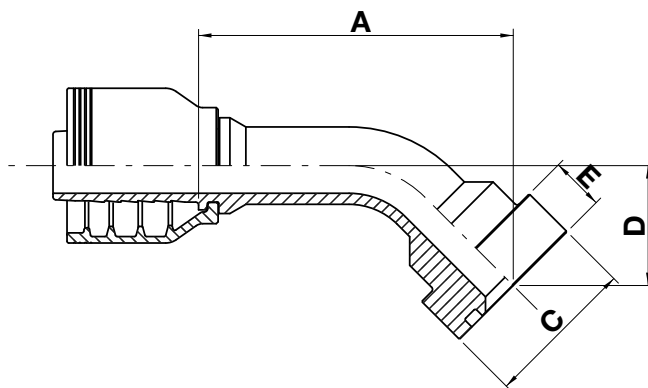
- NPTF
- JIC
- ORFS
- SAE
- JIS
- BSP-BSPT
- METRIC
- SAE 3000 CODE 61
- SAE 6000 CODE 62
- TAPERED SAE
- SUPERCAT STYLE**
- STAPLE LOCK
- H.P. STAPLE LOCK
- LOK-IT

code	ø hose			flange	A		C		D		E	
	dn	inch	size		mm	in	mm	in	mm	in	mm	in
AY3CJ-12-12	19	3/4"	12	3/4"	84,8	3,34	41,3	1,63	20,9	0,82	14,5	0,57
AY3CJ-16-16	25	1"	16	1"	89,7	3,53	54,0	2,13	22,0	0,87	14,5	0,57
AY3CJ-16-20	25	1"	16	1.1/4"	103,7	4,08	54,0	2,13	27,2	1,07	14,5	0,57
AY3CJ-20-20	31	1.1/4"	20	1.1/4"	128,5	5,06	54,0	2,13	29,0	1,14	14,5	0,57
AY3CJ-20-24	31	1.1/4"	20	1.1/2"	129,5	5,01	63,5	2,50	30,6	1,20	14,5	0,57
AY3CJ-24-24	38	1.1/2"	24	1.1/2"	137,0	5,39	63,5	2,50	29,5	1,18	14,5	0,57
AY3CJ-32-32	51	2"	32	2"	161,0	6,34	79,4	3,13	40,0	1,57	14,5	0,57

AY4CJ

“SUPERCAT” style - 45° elbow flange

NO SKIVE



J

- FITTINGS**
- NPTF
 - JIC
 - ORFS
 - SAE
 - JIS
 - BSP-BSPT
 - METRIC
 - SAE 3000 CODE 61
 - SAE 6000 CODE 62
 - TAPERED SAE
 - SUPERCAT STYLE**
 - STAPLE LOCK
 - H.P. STAPLE LOCK
 - LOK-IT

code	ø hose			flange	A		C		D		E	
	dn	inch	size		mm	in	mm	in	mm	in	mm	in
AY4CJ-12-12	19	3/4"	12	3/4"	85,4	3,36	41,3	1,63	32,5	1,27	14,5	0,57
AY4CJ-12-16	19	3/4"	12	1"	80,7	3,18	47,6	1,87	37,5	1,48	14,5	0,57
AY4CJ-16-16	25	1"	16	1"	82,2	3,24	54,0	2,13	35,0	1,38	14,5	0,57
AY4CJ-16-20	25	1"	16	1.1/4"	95,0	3,74	54,0	2,13	42,8	1,69	14,5	0,57
AY4CJ-20-16	31	1.1/4"	20	1"	119,0	4,69	47,6	1,87	41,7	1,64	14,5	0,57
AY4CJ-20-20	31	1.1/4"	20	1.1/4"	118,5	4,67	54,0	2,13	46,5	1,83	14,5	0,57
AY4CJ-20-24	31	1.1/4"	20	1.1/2"	119,0	4,69	63,5	2,50	48,8	1,92	14,5	0,57
AY4CJ-24-24	38	1.1/2"	24	1.1/2"	127,0	5,00	63,5	2,50	48,9	1,93	14,5	0,57
AY4CJ-32-32	51	2"	32	2"	169,0	6,66	79,4	3,13	65,3	2,57	14,5	0,57

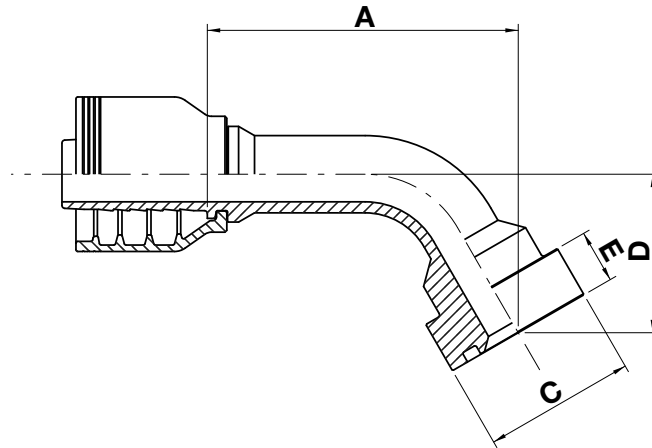
For multispiral and wire braid hoses

J

AY6CJ

“SUPERCAT” style - 60° elbow flange

NO SKIVE



FITTINGS

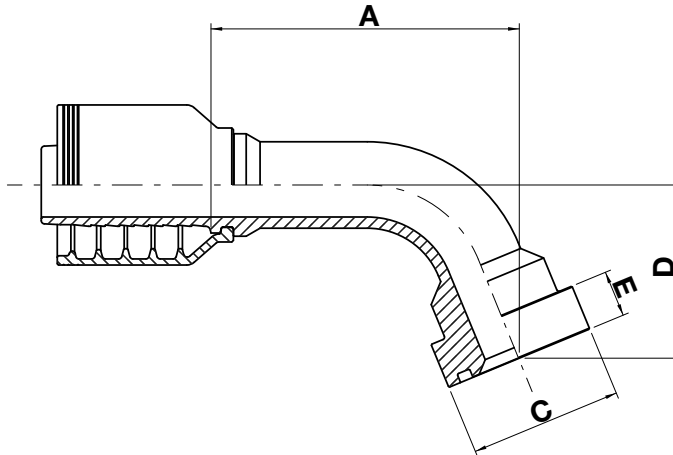
- NPTF
- JIC
- ORFS
- SAE
- JIS
- BSP-BSPT
- METRIC
- SAE 3000 CODE 61
- SAE 6000 CODE 62
- TAPERED SAE
- SUPERCAT STYLE**
- STAPLE LOCK
- H.P. STAPLE LOCK
- LOK-IT

code	ø hose			flange	A		C		D		E	
	dn	inch	size		mm	in	mm	in	mm	in	mm	in
AY6CJ-12-12	19	3/4"	12	3/4"	84,5	3,32	41,3	1,63	43,1	1,70	14,5	0,57
AY6CJ-16-16	25	1"	16	1"	103,0	4,05	54,0	2,1	48,0	1,89	14,5	0,57
AY6CJ-16-20	25	1"	16	1.1/4"	94,0	3,70	54,0	2,13	58,2	2,29	14,5	0,57
AY6CJ-20-20	31	1.1/4"	20	1.1/4"	114,5	4,51	54,0	2,13	59,0	2,32	14,5	0,57
AY6CJ-20-24	31	1.1/4"	20	1.1/2"	137,0	5,39	63,5	2,50	67,2	2,65	14,5	0,57
AY6CJ-24-24	38	1.1/2"	24	1.1/2"	157,0	6,18	63,5	2,50	68,7	2,70	14,5	0,57
AY6CJ-32-32	51	2"	32	2"	169,2	6,66	79,4	3,13	91,7	3,61	14,5	0,57

AY7CJ

“SUPERCAT” style - 67,5° elbow flange

NO SKIVE



J

- FITTINGS**
- NPTF
 - JIC
 - ORFS
 - SAE
 - JIS
 - BSP-BSPT
 - METRIC
 - SAE 3000 CODE 61
 - SAE 6000 CODE 62
 - TAPERED SAE
 - SUPERCAT STYLE**
 - STAPLE LOCK
 - H.P. STAPLE LOCK
 - LOK-IT

code	ø hose			flange	A		C		D		E	
	dn	inch	size		mm	in	mm	in	mm	in	mm	in
AY7CJ-12-12	19	3/4"	12	3/4"	82,3	3,24	41,3	1,63	48,4	1,90	14,5	0,57
AY7CJ-16-16	25	1"	16	1"	96,3	3,79	47,6	1,87	54,0	2,13	14,5	0,57
AY7CJ-16-20	25	1"	16	1.1/4"	88,0	3,46	54,0	2,13	64,0	2,52	14,5	0,57
AY7CJ-20-20	31	1.1/4"	20	1.1/4"	124,0	4,88	54,0	2,13	67,0	2,64	14,5	0,57
AY7CJ-20-24	31	1.1/4"	20	1.1/2"	128,0	5,04	63,5	2,50	76,1	3,00	14,5	0,57
AY7CJ-24-24	38	1.1/2"	24	1.1/2"	147,5	5,81	63,5	2,50	78,6	3,09	14,5	0,57
AY7CJ-32-32	51	2"	32	2"	167,2	6,58	79,4	3,13	104,8	4,13	14,5	0,57

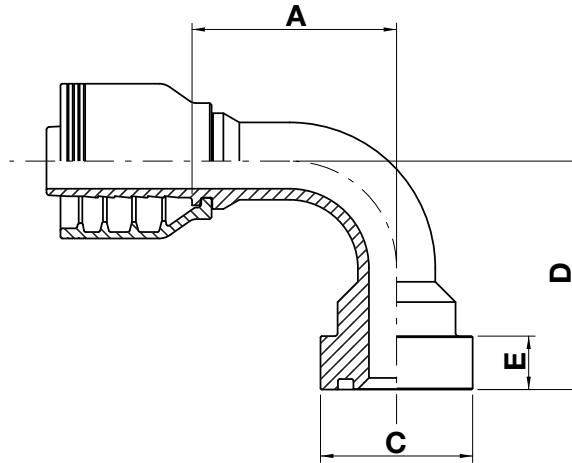
For multispiral and wire braid hoses

J

AY9CJ

“SUPERCAT” style - 90° elbow flange

NO SKIVE



FITTINGS

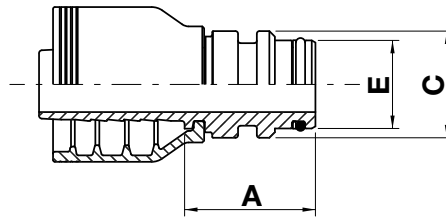
- NPTF
- JIC
- ORFS
- SAE
- JIS
- BSP-BSPT
- METRIC
- SAE 3000 CODE 61
- SAE 6000 CODE 62
- TAPERED SAE
- SUPERCAT STYLE**
- STAPLE LOCK
- H.P. STAPLE LOCK
- LOK-IT

code	ø hose			flange	A		C		D		E	
	dn	inch	size		mm	in	mm	in	mm	in	mm	in
AY9CJ-12-12	19	3/4"	12	3/4"	55,5	2,19	41,3	1,63	62,0	2,44	14,5	0,57
AY9CJ-12-12-156	19	3/4"	12	3/4"	62,5	2,46	41,3	1,63	155,7	6,12	14,5	0,57
AY9CJ-12-16	19	3/4"	12	1"	55,5	2,19	47,6	1,88	70,0	2,76	14,5	0,57
AY9CJ-16-16	25	1"	16	1"	75,6	2,98	54,0	2,13	71,0	2,80	14,5	0,57
AY9CJ-16-20	25	1"	16	1.1/4"	78,0	3,07	54,0	2,13	84,5	3,33	14,5	0,57
AY9CJ-20-20	31	1.1/4"	20	1.1/4"	104,0	4,09	54,0	2,13	90,0	3,54	14,5	0,57
AY9CJ-20-24	31	1.1/4"	20	1.1/2"	104,2	4,10	63,5	2,50	100,0	3,94	14,5	0,57
AY9CJ-24-24	38	1.1/2"	24	1.1/2"	111,0	4,37	63,5	2,50	106,0	4,17	14,5	0,57
AY9CJ-32-32	51	2"	32	2"	151,3	5,96	79,4	3,13	136,0	5,36	14,5	0,57

ST11J

Staple lock male

NO SKIVE



FITTINGS

- NPTF
- JIC
- ORFS
- SAE
- JIS
- BSP-BSPT
- METRIC
- SAE 3000 CODE 61
- SAE 6000 CODE 62
- TAPERED SAE
- SUPERCAT STYLE
- STAPLE LOCK**
- H.P. STAPLE LOCK
- LOK-IT

code	ø hose			A		C		E	
	dn	inch	size	mm	in	mm	in	mm	in
ST11J-06-06	10	3/8"	06	34,5	1,36	19,9	0,79	13,9	0,55
ST11J-08-08	12	1/2"	08	35,0	1,38	23,9	0,94	17,9	0,70
ST11J-10-10	16	5/8"	10	36,0	1,42	25,9	1,02	20,9	0,82
ST11J-12-12	19	3/4"	12	35,5	1,40	28,9	1,14	23,9	0,94
ST11J-16-16	25	1"	16	44,0	1,73	38,9	1,53	30,9	1,22
ST11J-20-20	31	1.1/4"	20	47,0	1,85	45,9	1,81	37,9	1,49
ST11J-24-24	38	1.1/2"	24	51,0	2,01	54,9	2,16	46,9	1,85
ST11J-32-32	51	2"	32	57,0	2,24	63,9	2,52	55,9	2,20
ST11J-40-40	63	2.1/2"	40	100,5	3,96	80,9	3,19	79,0	3,11
ST11J-48-48	76	3"	48	136,0	5,35	93,8	3,69	85,8	3,38

For multispiral and wire braid hoses

J

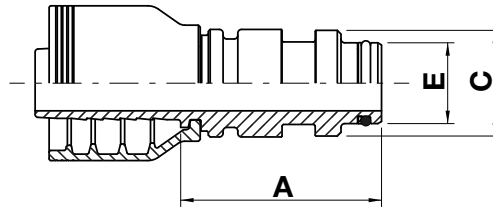
SS11J

High pressure staple lock male

NO SKIVE

FITTINGS

- NPTF
- JIC
- ORFS
- SAE
- JIS
- BSP-BSPT
- METRIC
- SAE 3000 CODE 61
- SAE 6000 CODE 62
- TAPERED SAE
- SUPERCAT STYLE
- STAPLE LOCK
- H.P. STAPLE LOCK**
- LOK-IT

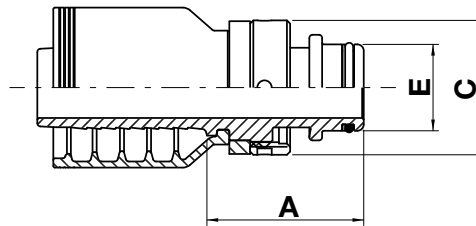


code	ø hose			A		C		E	
	dn	inch	size	mm	in	mm	in	mm	in
SS11J-12-12	19	3/4"	12	56,0	2,20	28,7	1,13	21,9	0,86
SS11J-16-16	25	1"	16	73,0	2,87	38,4	1,51	30,9	1,22
SS11J-20-20	31	1.1/4"	20	80,0	3,15	45,4	1,79	37,9	1,49
SS11J-24-24	38	1.1/2"	24	84,0	3,31	54,4	2,14	43,9	1,73
SS11J-32-32	51	2"	32	87,0	3,43	63,4	2,50	49,9	1,96

NVM11J

Standard pressure Lok-IT male

NO SKIVE



FITTINGS

- NPTF
- JIC
- ORFS
- SAE
- JIS
- BSP-BSPT
- METRIC
- SAE 3000 CODE 61
- SAE 6000 CODE 62
- TAPERED SAE
- SUPERCAT STYLE
- STAPLE LOCK
- H.P. STAPLE LOCK

LOK-IT

code	ø hose			A		C		E	
	dn	inch	size	mm	in	mm	in	mm	in
NVM11J-16-16	25	1"	16	58,9	2,32	42,0	1,65	27,0	1,06
NVM11J-20-20	31	1.1/4"	20	68,0	2,67	50,0	1,96	33,0	1,29
NVM11J-24-24	38	1.1/2"	24	75,5	2,97	62,0	2,44	44,0	1,73
NVM11J-32-32	51	2"	32	74,0	2,91	75,0	2,95	56,0	2,20
NVM11J-40-40	63	2.1/2"	40	85,0	3,34	90,0	3,54	66,0	2,59
NVM11J-48-48	76	3"	48	97,0	3,82	110,0	4,33	88,0	3,46
NVM11J-64-64	102	4"	64	117,0	4,60	138,0	5,43	105,0	4,13

For multispiral and wire braid hoses

J

NVF10J

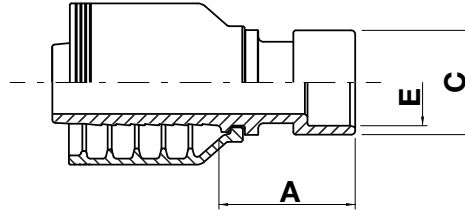
Standard pressure Lok-IT female

NO SKIVE

FITTINGS

NPTF
JIC
ORFS
SAE
JIS
BSP-BSPT
METRIC
SAE 3000 CODE 61
SAE 6000 CODE 62
TAPERED SAE
SUPERCAT STYLE
STAPLE LOCK
H.P. STAPLE LOCK

LOK-IT

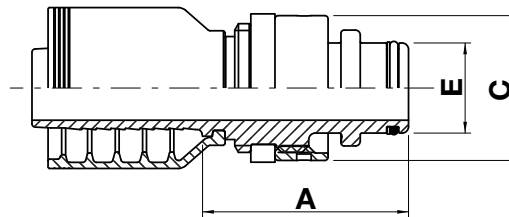


code	ø hose			A		C		E	
	dn	inch	size	mm	in	mm	in	mm	in
NVF10J-16-16	25	1"	16	42,0	1,65	33,0	1,29	27,0	1,06
NVF10J-20-20	31	1.1/4"	20	52,0	2,04	40,0	1,57	33,0	1,29
NVF10J-24-24	38	1.1/2"	24	52,0	2,05	53,0	2,08	44,0	1,73
NVF10J-32-32	51	2"	32	57,0	2,24	65,0	2,55	56,0	2,20
NVF10J-40-40	63	2.1/2"	40	56,0	2,20	75,0	2,95	66,0	2,59
NVF10J-48-48	76	3"	48	75,0	2,95	99,0	3,89	88,0	3,46
NVF10J-64-64	102	4"	64	82,0	3,22	118,0	4,64	105,0	4,13

HVM11J

High pressure Lok-IT male

NO SKIVE



FITTINGS

- NPTF
- JIC
- ORFS
- SAE
- JIS
- BSP-BSPT
- METRIC
- SAE 3000 CODE 61
- SAE 6000 CODE 62
- TAPERED SAE
- SUPERCAT STYLE
- STAPLE LOCK
- H.P. STAPLE LOCK

LOK-IT

code	ø hose			A		C		E	
	dn	inch	size	mm	in]	mm	in	mm	in
HVM11J-06-06	10	3/8"	06	45,5	1,79	25,0	0,98	14,0	0,55
HVM11J-08-08	12	1/2"	08	48,3	1,90	30,0	1,18	18,0	0,70
HVM11J-12-12	19	3/4	12	57,0	2,24	40,0	1,57	23,0	0,90
HVM11J-16-16	25	1"	16	64,0	2,52	45,0	1,77	28,0	1,10
HVM11J-20-20	31	1.1/4"	20	72,0	2,83	52,0	2,04	33,0	1,29
HVM11J-24-24	38	1.1/2"	24	84,0	3,30	64,0	2,52	42,0	1,65
HVM11J-32-32	51	2"	32	88,0	3,46	78,0	3,07	54,0	2,12
HVM11J-40-40	63	2.1/2"	40	110,0	4,33	98,0	3,85	65,0	2,55

For multispiral and wire braid hoses

J

HVF10J

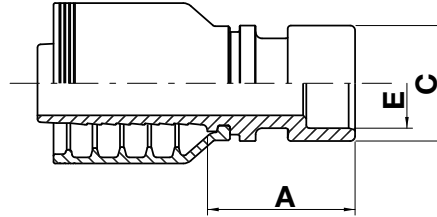
High pressure Lok-IT female

NO SKIVE

FITTINGS

NPTF
JIC
ORFS
SAE
JIS
BSP-BSPT
METRIC
SAE 3000 CODE 61
SAE 6000 CODE 62
TAPERED SAE
SUPERCAT STYLE
STAPLE LOCK
H.P. STAPLE LOCK

LOK-IT

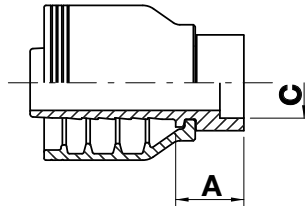


code	ø hose			A		C		E	
	dn	inch	size	mm	in	mm	in	mm	in
HVF10J-06-06	10	3/8"	06	34,0	1,35	20,0	0,78	14,0	0,55
HVF10J-08-08	12	1/2"	08	36,0	1,43	24,0	0,94	18,0	0,70
HVF10J-12-12	19	3/4"	12	36,0	1,43	30,0	1,18	23,0	0,90
HVF10J-16-16	25	1"	16	46,0	1,81	36,0	1,41	28,0	1,10
HVF10J-20-20	31	1.1/4"	20	54,0	2,12	44,0	1,73	33,0	1,29
HVF10J-24-24	38	1.1/2"	24	55,0	2,16	53,8	2,11	42,0	1,65
HVF10J-32-32	51	2"	32	65,0	2,56	70,0	2,75	54,0	2,12
HVF10J-40-40	63	2.1/2"	40	96,0	3,78	84,0	3,30	65,0	2,55

WO10J

Brazing tale

NO SKIVE



J

FITTINGS

- NPTF
- JIC
- ORFS
- SAE
- JIS
- BSP-BSPT
- METRIC
- SAE 3000 CODE 61
- SAE 6000 CODE 62
- TAPERED SAE
- SUPERCAT STYLE
- STAPLE LOCK
- H.P. STAPLE LOCK
- LOK-IT

code	ø hose			A		C	
	dn	inch	size	mm	in	mm	in
WO10J-12-12	19	3/4"	12	18,5	0,73	19,2	0,76
WO10J-16-16	25	1"	16	23,0	0,91	25,6	1,01
WO10J-20-20	31	1.1/4"	20	26,0	1,02	32,0	1,26
WO10J-24-24	38	1.1/2"	24	26,0	1,02	38,3	1,51
WO10J-32-32	51	2"	32	32,0	1,26	51,0	2,01

LubeTeam Hydraulic S.r.l.

Administration and Headquarter:

Via Tufara Scautieri, 6

83018 - San Martino Valle Caudina (AV)

Office and Warehouse:

S.S. 7 Appia, Km. 237,00

82011 - Airola BN

ITALY

Tel. +39 0823 950 994

Fax +39 0823 412 546

www.lubeteam.it info@lubeteam.it

Italian VAT / C.F. e P.IVA: 01251720627

Follow us



This document is the property of LubeTeam Hydraulic S.r.l. All data reported here are for the exclusive use of the Receiver. Reproduction is not authorized without writing permission, in all or in part of the content of this document, in accordance to Law 633 art. 171, dated April 22, 1941.

Il presente documento è di proprietà della LubeTeam Hydraulic S.r.l. I dati riportati sono per esclusivo del destinatario. La riproduzione, di tutto o in parte, non è autorizzata senza permesso scritto secondo l'art. 171 della L. 633 del 22 Aprile 1941.