

INTERTRACO
Raccordi Monopezzo
Serie K



 HYDRAULIC
COMPONENTS
& FLUID CONTAMINATION
CONTROL



All trademarks belong to their respective owners; third party trademarks, product names, trade names, corporate names and company names mentioned may be trademarks of their respective owners or registered trademarks of other companies and are used for instructional purposes and for the benefit of the owner, without any end of Copyright infringement in force.

Tutti i marchi riportati appartengono ai legittimi proprietari; marchi di terzi, nomi di prodotti, nomi commerciali, nomi corporativi e società citati possono essere di proprietà dei rispettivi titolari o registrati da altre società e sono stati utilizzati a puro scopo esplicativo e a beneficio del possessore, senza alcun fine di violazione dei diritti di Copyright vigenti.

K

SERIES

**For wire braid hoses
No skive**

 **intertraco**

product	standard	code	description	page
Fitting	NPTF NPSM	MN10K	NPTF male (60° cone seat)	17
		MNA10K	NPTF male (60° cone seat) - long nose "API" style version	18
		MG10K	NPTF male swivel (60° cone seat)	19
		MG90K	NPTF male swivel - 90° elbow (60° cone seat)	20
		KG91K	NPTF male swivel - 90° elbow (compact forged)	21
		FN10K	NPTF female rigid	22
		FN11K	NPTF female swivel (60° cone seat)	23
	JIC	MJ10K	JIC 37° male	24
		FJ11K	JIC 37° female swivel	26
		FJ41K	JIC 37° female swivel - 45° elbow	28
		FJ91K	JIC 37° female swivel - 90° elbow	30
		FJ91K-M	JIC 37° female swivel - 90° elbow (medium drop)	32
		FJ91K-L	JIC 37° female swivel - 90° elbow (long drop)	33
		KJ91K	JIC 37° female swivel - 90° elbow (compact forged)	34
	ORFS	OM10K	ORFS male	35
		OR13K	ORFS female swivel	36
		OR11K	ORFS short female swivel	37
		OR44K	ORFS female swivel - 45° elbow	38
		OR94K	ORFS female swivel - 90° elbow	39
		OR94K-M	ORFS female swivel - 90° elbow (medium drop)	40
		OR94K-L	ORFS female swivel - 90° elbow (long drop)	41
	SAE	MU10K	SAE 45° male	42
		FU11K	SAE 45° female swivel	43
		ME10K	O-ring boss male	44
		MV10K	O-ring boss male swivel	45
		MV40K	O-ring boss male swivel - 45° elbow	46
		MV90K	O-ring boss male swivel - 90° elbow	47
		KV91K	O-ring boss male swivel - 90° elbow (compact forged)	48
		MZ10K	SAE inverted flare male swivel	49
		MZ40K	SAE inverted flare male swivel - 45° elbow	50
		MZ90K	SAE inverted flare male swivel - 90° elbow	51
		MFA10K	SAE flareless male assembly	52
	GREASE	FGR10K	Female grease	53
	JIS	FT11K	Japanese "T" style termination female swivel 60° cone	54

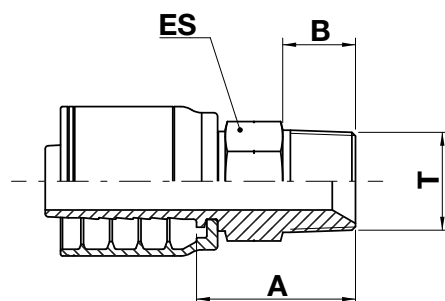
product	standard	code	description	page
Fitting	JIS	FK11K	Japanese "KOM" style termination female swivel 60° cone	55
		FK41K	Japanese "KOM" style termination female swivel 60° cone - 45° elbow	56
		FK91K	Japanese "KOM" style termination female swivel 60° cone - 90° elbow	57
		AK10K	Japanese "KOM" style termination straight flange (for metric O-ring)	58
		AK40K	Japanese "KOM" style termination - 45° elbow flange (for metric O-ring)	59
		AK90K	Japanese "KOM" style termination - 90° elbow flange (for metric O-ring)	60
	BSP BSPT	MT10K	BSPT tapered male 60° cone	61
		MB10K	BSP male 60° cone	62
		FB13K	BSP female swivel 60° cone	64
		FB43K	BSP female swivel 60° cone - 45° elbow	66
		FB93K	BSP female swivel 60° cone - 90° elbow	67
		FB93K-L	BSP female swivel 60° cone - 90° elbow (long drop)	68
		KM91K	BSP female swivel 60° cone - 90° elbow (compact forged)	69
		FO13K	BSP O-ring female swivel 60° cone	70
		FO43K	BSP O-ring female swivel 60° cone - 45° elbow	71
		FO93K	BSP O-ring female swivel 60° cone - 90° elbow	72
		FP11K	BSP flat face female swivel	73
		BB10K	BSP banjo	74
		VB10B	BSP banjo bolt	75
		METRIC	KW15K	Jet wash female swivel "K" type
	FQ13K		Metric female swivel (multiseal 24°/60° cone seat)	77
	FQ93K		Metric female swivel - 90° elbow (multiseal 24°/60° cone seat)	78
	SM10K		Metric standpipe	79
	SM40K		Metric standpipe - 45° elbow	80
	SM90K		Metric standpipe - 90° elbow	81
	BM10K		Metric banjo	82
	VM10B		Metric banjo bolt	83
	ML10K		Metric light male (24° cone seat)	84
	FL13K		Metric light female swivel (24° cone seat)	85
	FL43K		Metric light female swivel - 45° elbow (24° cone seat)	86
	FL93K		Metric light female swivel - 90° elbow (24° cone seat)	87
	MS10K		Metric heavy male (24° cone seat)	88
	FS13K	Metric heavy female swivel (24° cone seat)	89	
FS43K	Metric heavy female swivel - 45° elbow (24° cone seat)	90		

product	standard	code	description	page
Fitting	METRIC	FS93K	Metric heavy female swivel - 90° elbow (24° cone seat)	91
	SAE 3000 CODE 61	AX10K	SAE 3000 code 61 straight flange	92
		AX40K	SAE 3000 code 61 - 45° elbow flange	93
		AX60K	SAE 3000 code 61 - 60° elbow flange	94
		AX90K	SAE 3000 code 61 - 90° elbow flange	95
	STAPLE LOCK	ST11K	Staple lock male	96
	-	WO10K	Brazing tail	97

MN10K

NPTF male (60° cone seat)**NO SKIVE**

SAE J514



FITTING
NPTF-NPSM
 JIC
 ORFS
 SAE
 GREASE
 JIS
 BSP-BSPT
 METRIC
 SAE 3000 CODE 61
 STAPLE LOCK

code	ø hose			T	A		B		ES		
	dn	inch	size		mm	in	mm	in	mm	in	↗ in
MN10K-04-02	6	1/4"	04	1/8"-27	22,0	0,87	9,5	0,37	14,0	0,551	9/16"
MN10K-04-04	6	1/4"	04	1/4"-18	26,5	1,04	14,0	0,55	14,0	0,551	9/16"
MN10K-04-06	6	1/4"	04	3/8"-18	28,0	1,10	14,0	0,55	19,0	0,748	3/4"
MN10K-04-08	6	1/4"	04	1/2"-14	33,0	1,30	19,0	0,75	22,0	0,866	7/8"
MN10K-05-04	8	5/16"	05	1/4"-18	26,5	1,04	14,0	0,55	14,0	0,551	9/16"
MN10K-05-06	8	5/16"	05	3/8"-18	28,0	1,10	14,0	0,55	19,0	0,748	3/4"
MN10K-06-04	10	3/8"	06	1/4"-18	26,5	1,04	14,0	0,55	17,0	0,669	11/16"
MN10K-06-06	10	3/8"	06	3/8"-18	28,0	1,10	14,0	0,55	19,0	0,748	3/4"
MN10K-06-08	10	3/8"	06	1/2"-14	33,0	1,30	19,0	0,75	22,0	0,866	7/8"
MN10K-08-04	12	1/2"	08	1/4"-18	28,5	1,12	14,0	0,55	22,0	0,866	7/8"
MN10K-08-06	12	1/2"	08	3/8"-18	28,5	1,12	14,0	0,55	19,0	0,748	3/4"
MN10K-08-08	12	1/2"	08	1/2"-14	33,5	1,32	19,0	0,75	22,0	0,866	7/8"
MN10K-08-12	12	1/2"	08	3/4"-14	34,0	1,34	19,0	0,75	27,0	1,063	1.1/16"
MN10K-10-08	16	5/8"	10	1/2"-14	33,5	1,32	19,0	0,75	24,0	0,945	15/16"
MN10K-10-12	16	5/8"	10	3/4"-14	41,0	1,61	19,0	0,75	27,0	1,063	1.1/16"
MN10K-12-08	19	3/4"	12	1/2"-14	34,5	1,36	19,0	0,75	27,0	1,063	1.1/16"
MN10K-12-12	19	3/4"	12	3/4"-14	41,5	1,63	19,0	0,75	27,0	1,063	1.1/16"
MN10K-12-16	19	3/4"	12	1"-11.1/2	46,5	1,83	24,0	0,94	36,0	1,417	1.7/16"
MN10K-16-12	25	1"	16	3/4"-14	43,0	1,69	19,0	0,75	32,0	1,260	1.1/4"
MN10K-16-16	25	1"	16	1"-11.1/2	48,0	1,89	24,0	0,94	36,0	1,417	1.7/16"
MN10K-16-20	25	1"	16	1.1/4"-11.1/2	60,0	2,36	24,5	0,96	46,0	1,811	1.13/16"

MNA10K

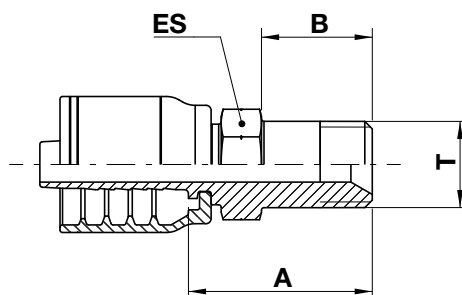
NPTF male (60° cone seat) - long nose "API" style version

NO SKIVE

FITTING

NPTF-NPSM

JIC
ORFS
SAE
GREASE
JIS
BSP-BSPT
METRIC
SAE 3000 CODE 61
STAPLE LOCK



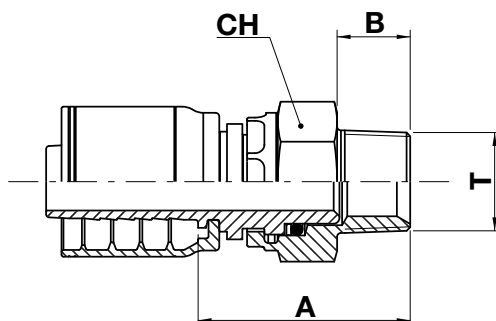
code	ø hose			T	A		B		ES		
	dn	inch	size		mm	in	mm	in	mm	in	↻ in
MNA10K-04-04	6	1/4"	04	1/4"-18	36,0	1,42	22,0	0,87	14,0	0,551	9/16"
MNA10K-04-06	6	1/4"	04	3/8"-18	36,0	1,42	22,0	0,87	19,0	0,748	3/4"
MNA10K-06-06	10	3/8"	06	3/8"-18	36,5	1,44	22,0	0,87	19,0	0,748	3/4"

MG10K MG16K

NPTF male swivel (60° cone seat)

NO SKIVE

SAE J514



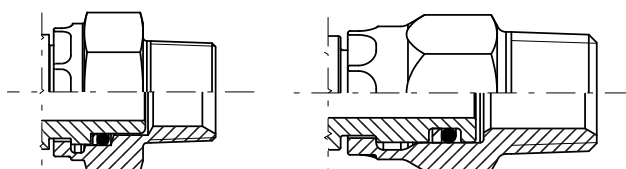
FITTING
NPTF-NPSM
 JIC
 ORFS
 SAE
 GREASE
 JIS
 BSP-BSPT
 METRIC
 SAE 3000 CODE 61
 STAPLE LOCK

code	ø hose			T	A		B		CH		
	dn	inch	size		mm	in	mm	in	mm	in	↻ in
MG10K-04-02	6	1/4"	04	1/8"-27	36,5	1,44	9,5	0,37	17,0	0,669	11/16"
MG10K-04-04	6	1/4"	04	1/4"-18	36,5	1,44	14,0	0,55	17,0	0,669	11/16"
MG16K-04-06	6	1/4"	04	3/8"-18	46,5	1,83	14,0	0,55	19,0	0,750	3/4"
MG16K-05-06	8	5/16"	05	3/8"-18	46,5	1,83	14,0	0,55	19,0	0,750	3/4"
MG10K-06-04	10	3/8"	06	1/4"-18	33,5	1,32	14,0	0,55	17,0	0,669	11/16"
MG16K-06-06	10	3/8"	06	3/8"-18	44,5	1,75	14,0	0,55	19,0	0,750	3/4"
MG10K-06-08	10	3/8"	06	1/2"-14	41,5	1,63	19,0	0,75	27,0	1,063	1.1/16"
MG16K-08-06	12	1/2"	08	3/8"-18	48,0	1,89	14,0	0,55	19,0	0,750	3/4"
MG10K-08-08	12	1/2"	08	1/2"-14	42,0	1,65	19,0	0,75	27,0	1,063	1.1/16"
MG10K-10-12	16	5/8"	10	3/4"-14	54,5	2,15	19,4	0,76	36,0	1,417	1.7/16"
MG10K-12-08	19	3/4"	12	1/2"-14	56,5	2,22	19,0	0,75	27,0	1,063	1.1/16"
MG10K-12-12	19	3/4"	12	3/4"-14	55,0	2,17	19,4	0,76	36,0	1,417	1.7/16"
MG10K-16-16	25	1"	16	1"-11.1/2	62,5	2,46	24,2	0,95	38,0	1,496	1.1/2"

Nut type

MG10

MG16 (imperial nut)

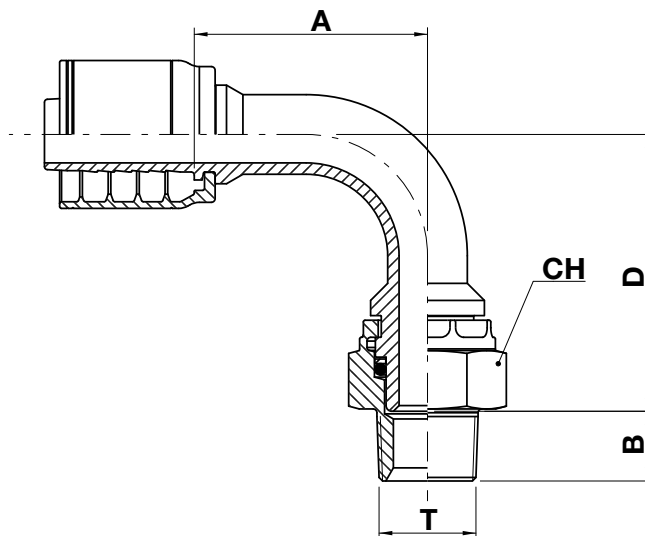


MG90K MG96K

NPTF male swivel 90° elbow (60° cone seat)

NO SKIVE

SAE J514



FITTING

NPTF-NPSM

JIC

ORFS

SAE

GREASE

JIS

BSP-BSPT

METRIC

SAE 3000 CODE 61

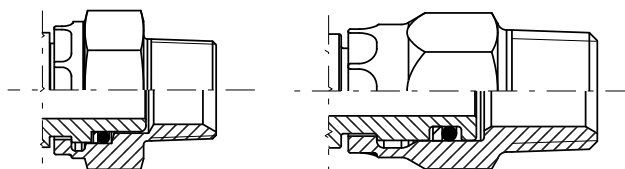
STAPLE LOCK

code	ø hose			T	A		B		D		CH		
	dn	inch	size		mm	in	mm	in	mm	in	mm	in	↻ in
MG90K-04-04	6	1/4"	04	1/4"-18	28,0	1,10	14,0	0,55	37,0	1,46	17,0	0,669	11/16"
MG96K-04-06	6	1/4"	04	3/8"-18	28,0	1,10	14,0	0,55	46,2	1,82	19,0	0,750	3/4"
MG96K-06-06	10	3/8"	06	3/8"-18	34,5	1,36	14,0	0,55	47,7	1,88	19,0	0,750	3/4"
MG90K-06-08	10	3/8"	06	1/2"-14	34,5	1,36	19,0	0,75	54,5	2,15	27,0	1,063	1.1/16"
MG90K-08-08	12	1/2"	08	1/2"-14	44,5	1,75	19,0	0,75	59,5	2,34	27,0	1,063	1.1/16"
MG90K-12-12	19	3/4"	12	3/4"-14	61,5	2,42	19,4	0,76	91,4	3,60	36,0	1,417	1.7/16"
MG90K-16-16	25	1"	16	1"-11.1/2	72,0	2,83	24,2	0,95	84,5	3,33	38,0	1,496	1.1/2"

Nut type

MG90

MG96 (imperial nut)

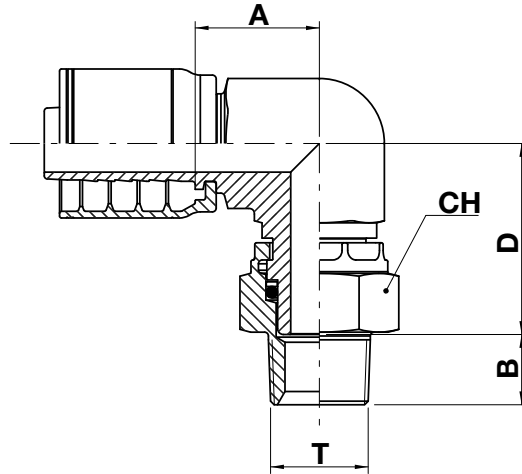


KG91K KG96K

NPTF male swivel - 90° elbow (compact forged)

NO SKIVE

SAE J514



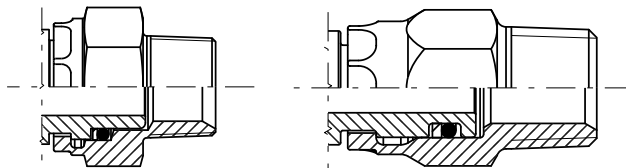
FITTING
NPTF-NPSM
 JIC
 ORFS
 SAE
 GREASE
 JIS
 BSP-BSPT
 METRIC
 SAE 3000 CODE 61
 STAPLE LOCK

code	ø hose			T	A		B		D		CH		
	dn	inch	size		mm	in	mm	in	mm	in	mm	in	↻ in
KG91K-04-04	6	1/4"	04	1/4"-18	18,5	0,73	14,0	0,55	28,0	1,10	17,0	0,669	11/16"
KG96K-04-06	6	1/4"	04	3/8"-18	19,5	0,77	14,0	0,55	37,0	1,46	19,0	0,748	3/4"
KG96K-06-06	10	3/8"	06	3/8"-18	21,5	0,85	14,0	0,55	40,0	1,57	19,0	0,748	3/4"
KG91K-06-08	10	3/8"	06	1/2"-14	25,0	0,98	19,0	0,75	45,5	1,79	27,0	1,063	1.1/16"
KG91K-08-08	12	1/2"	08	1/2"-14	26,5	1,04	19,0	0,75	45,5	1,79	27,0	1,063	1.1/16"
KG91K-12-12	19	3/4"	12	3/4"-14	32,5	1,28	19,0	0,75	49,5	1,95	36,0	1,417	1.7/16"
KG91K-16-16	25	1"	16	1"-11.1/2	34,0	1,34	24,2	0,95	52,5	2,07	38,0	1,496	1.1/2"

Nut type

KG91

KG96 (imperial nut)

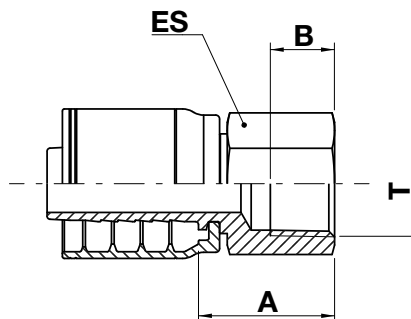


FN10K

NPTF female rigid

NO SKIVE

SAE J514



FITTING

NPTF-NPSM

JIC

ORFS

SAE

GREASE

JIS

BSP-BSPT

METRIC

SAE 3000 CODE 61

STAPLE LOCK

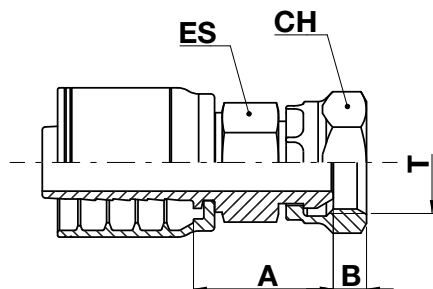
code	ø hose			T	A		B		ES		
	dn	inch	size		mm	in	mm	in	mm	in	↗ in
FN10K-04-02	6	1/4"	04	1/8"-27	21,5	0,85	7,87	0,31	17,0	0,669	11/16"
FN10K-04-04	6	1/4"	04	1/4"-18	26,5	1,04	11,9	0,47	19,0	0,748	3/4"
FN10K-04-06	6	1/4"	04	3/8"-18	28,0	1,10	12,7	0,50	22,0	0,866	7/8"
FN10K-06-04	10	3/8"	06	1/4"-18	26,5	1,04	12,0	0,47	19,0	0,748	3/4"
FN10K-06-06	10	3/8"	06	3/8"-18	28,0	1,10	12,7	0,50	22,0	0,866	7/8"
FN10K-06-08	10	3/8"	06	1/2"-14	33,0	1,30	16,8	0,66	27,0	1,063	1.1/16"
FN10K-08-06	12	1/2"	08	3/8"-18	28,5	1,12	12,7	0,50	22,0	0,866	7/8"
FN10K-08-08	12	1/2"	08	1/2"-14	33,5	1,32	17,0	0,67	27,0	1,063	1.1/16"
FN10K-12-12	19	3/4"	12	3/4"-14	35,5	1,40	16,8	0,66	32,0	1,260	1.1/4"
FN10K-16-16	25	1"	16	1"	44,0	1,73	21,3	0,84	38,0	1,496	1.1/2"

FN11K FN12K

NPTF female swivel (60° cone seat)

NO SKIVE

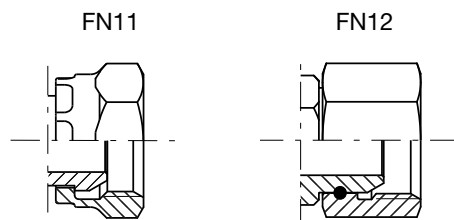
SAE J514



- FITTING**
- NPTF-NPSM**
 - JIC
 - ORFS
 - SAE
 - GREASE
 - JIS
 - BSP-BSPT
 - METRIC
 - SAE 3000 CODE 61
 - STAPLE LOCK

code	ø hose			T	A		B		ES			CH		
	dn	inch	size		mm	in	mm	in	mm	in	↗ in	mm	in	↗ in
FN11K-04-04	6	1/4"	04	1/4"-18	24,0	0,94	4,2	0,17	14,0	0,551	9/16"	19,0	0,748	3/4"
FN11K-04-06	6	1/4"	04	3/8"-18	26,5	1,04	5,7	0,22	22,0	0,866	7/8"	22,0	0,866	7/8"
FN11K-05-04	8	5/16"	05	1/4"-18	24,0	0,94	4,2	0,17	19,0	0,748	3/4"	19,0	0,748	3/4"
FN11K-06-06	10	3/8"	06	3/8"-18	26,5	1,04	5,7	0,22	22,0	0,866	7/8"	22,0	0,866	7/8"
FN11K-06-08	10	3/8"	06	1/2"-14	28,5	1,12	6,9	0,27	22,0	0,866	7/8"	27,0	1,063	1.1/16"
FN11K-08-08	12	1/2"	08	1/2"-14	29,0	1,14	6,9	0,27	22,0	0,866	7/8"	27,0	1,063	1.1/16"
FN11K-08-12	19	3/4"	08	3/4"-14	37,0	1,46	8,7	0,34	27,0	1,063	1.1/16"	32,0	1,260	1.1/4"
FN11K-12-12	19	3/4"	12	3/4"-14	36,8	1,45	8,7	0,34	27,0	1,063	1.1/16"	32,0	1,260	1.1/4"
FN12K-16-16	25	1"	16	1"-11.1/2	40,5	1,59	10,5	0,41	32,0	1,260	1.1/4"	38,0	1,496	1.1/2"

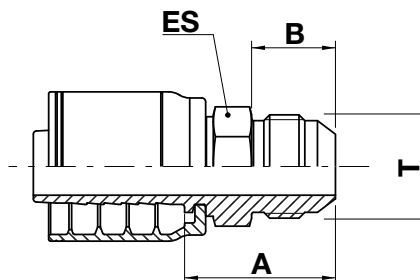
Nut type



MJ10K

**JIC 37° male****NO SKIVE**

ISO 8434-2 / SAE J514

**FITTING**

NPTF-NPSM

JIC

ORFS

SAE

GREASE

JIS

BSP-BSPT

METRIC

SAE 3000 CODE 61

STAPLE LOCK

code	ø hose			T	A		B		ES		
	dn	inch	size		mm	in	mm	in	mm	in	↻ in
MJ10K-04-04	6	1/4"	04	7/16"-20	26,5	1,04	14,0	0,55	14,0	0,551	9/16"
MJ10K-04-05	6	1/4"	04	1/2"-20	26,5	1,04	14,0	0,55	14,0	0,551	9/16"
MJ10K-04-06	6	1/4"	04	9/16"-18	27,5	1,08	14,0	0,55	17,0	0,669	11/16"
MJ10K-04-08	6	1/4"	04	3/4"-16	30,5	1,20	16,7	0,66	19,0	0,748	3/4"
MJ10K-05-05	8	5/16"	05	1/2"-20	26,5	1,04	14,0	0,55	14,0	0,551	9/16"
MJ10K-05-06	8	5/16"	05	9/16"-18	27,5	1,08	14,0	0,55	17,0	0,669	11/16"
MJ10K-06-06	10	3/8"	06	9/16"-18	27,5	1,08	14,1	0,56	17,0	0,669	11/16"
MJ10K-06-08	10	3/8"	06	3/4"-16	30,2	1,19	16,7	0,66	19,0	0,748	3/4"
MJ10K-06-10	10	3/8"	06	7/8"-14	34,8	1,37	19,3	0,76	24,0	0,945	15/16"
MJ10K-08-06	12	1/2"	08	9/16"-18	28,1	1,11	14,1	0,56	19,0	0,748	3/4"
MJ10K-08-08	12	1/2"	08	3/4"-16	30,7	1,21	16,7	0,66	19,0	0,748	3/4"
MJ10K-08-10	12	1/2"	08	7/8"-14	35,0	1,38	19,3	0,76	24,0	0,945	15/16"
MJ10K-08-12	12	1/2"	08	1.1/16"-12	39,0	1,54	21,9	0,86	27,0	1,063	1.1/16"
MJ10K-10-08	16	5/8"	10	3/4"-16	33,7	1,33	16,7	0,66	24,0	0,945	15/16"
MJ10K-10-10	16	5/8"	10	7/8"-14	35,3	1,39	19,3	0,76	24,0	0,945	15/16"
MJ10K-10-12	16	5/8"	10	1.1/16"-12	38,9	1,53	21,9	0,86	27,0	1,063	1.1/16"
MJ10K-12-10	19	3/4"	12	7/8"-14	36,8	1,45	19,3	0,76	27,0	1,063	1.1/16"
MJ10K-12-12	19	3/4"	12	1.1/16"-12	39,4	1,55	21,9	0,86	27,0	1,063	1.1/16"
MJ10K-12-14	19	3/4"	12	1.3/16"-12	40,1	1,58	22,6	0,89	32,0	1,260	1.1/4"



For wire braid hoses



← **MJ10K**

NO SKIVE

code	ø hose			T	A		B		ES		
	dn	inch	size		mm	in	mm	in	mm	in	↻ in
MJ10K-12-16	19	3/4"	12	1.5/16"-12	45,6	1,80	23,1	0,91	36,0	1,417	1.7/16"
MJ10K-16-16	25	1"	16	1.5/16"-12	47,1	1,85	23,1	0,91	36,0	1,417	1.7/16"
MJ10K-16-20	25	1"	16	1.5/8"-12	58,5	2,30	24,3	0,96	46,0	1,811	1.13/16"

-
- FITTING**
- NPTF-NPSM
 - JIC**
 - ORFS
 - SAE
 - GREASE
 - JIS
 - BSP-BSPT
 - METRIC
 - SAE 3000 CODE 61
 - STAPLE LOCK



FJ11K FJ13K FJ16K FJ12K



JIC 37° female swivel

NO SKIVE

ISO 8434-2 / SAE J514

FITTING

NPTF-NPSM

JIC

ORFS

SAE

GREASE

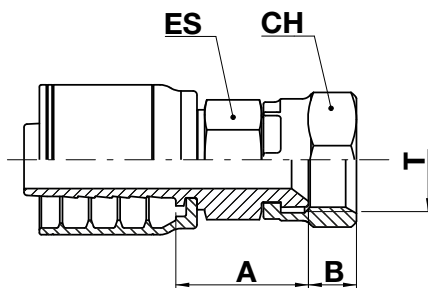
JIS

BSP-BSPT

METRIC

SAE 3000 CODE 61

STAPLE LOCK



code	ø hose			T	A		B		ES			CH		
	dn	inch	size		mm	in	mm	in	mm	in	↗ in	mm	in	↗ in
FJ11K-03-04	5	3/16"	03	7/16"-20	19,6	0,77	8,7	0,34	11,1	0,437	7/16"	14,0	0,551	9/16"
FJ11K-04-04	6	1/4"	04	7/16"-20	20,8	0,82	8,7	0,34	14,0	0,551	9/16"	14,0	0,551	9/16"
FJ11K-04-05	6	1/4"	04	1/2"-20	21,5	0,85	9,5	0,37	14,0	0,551	9/16"	17,0	0,669	11/16"
FJ11K-04-06	6	1/4"	04	9/16"-18	23,0	0,91	9,5	0,37	14,0	0,551	9/16"	19,0	0,748	3/4"
FJ16K-04-06	6	1/4"	04	9/16"-18	21,5	0,85	9,5	0,37	14,0	0,551	9/16"	17,46	0,687	11/16"
FJ13K-04-08	6	1/4"	04	3/4"-16	18,5	0,73	10,3	0,41	-	-	-	22,0	0,866	7/8"
FJ11K-05-05	8	5/16"	05	1/2"-20	15,5	0,61	9,5	0,37	-	-	-	17,0	0,669	11/16"
FJ11K-05-06	8	5/16"	05	9/16"-18	21,0	0,83	9,5	0,37	14,0	0,551	9/16"	19,0	0,748	3/4"
FJ16K-05-06	8	5/16"	05	9/16"-18	21,0	0,83	9,5	0,37	14,0	0,551	9/16"	17,46	0,687	11/16"
FJ11K-06-04	10	3/8"	06	7/16"-20	22,0	0,87	8,7	0,34	17,0	0,669	11/16"	14,0	0,551	9/16"
FJ11K-06-05	10	3/8"	06	1/2"-20	22,5	0,89	10,5	0,41	17,0	0,669	11/16"	17,0	0,669	11/16"
FJ11K-06-06	10	3/8"	06	9/16"-18	24,0	0,94	9,5	0,37	17,0	0,669	11/16"	19,0	0,748	3/4"
FJ16K-06-06	10	3/8"	06	9/16"-18	24,0	0,94	9,5	0,37	17,0	0,669	11/16"	17,46	0,687	11/16"
FJ11K-06-08	10	3/8"	06	3/4"-16	26,0	1,02	10,7	0,42	19,0	0,748	3/4"	22,0	0,866	7/8"
FJ11K-06-10	10	3/8"	06	7/8"-14	28,5	1,12	12,7	0,50	22,0	0,866	7/8"	27,0	1,063	1.1/16"
FJ11K-08-06	12	1/2"	08	9/16"-18	26,5	1,04	9,5	0,37	19,0	0,748	3/4"	19,0	0,748	3/4"
FJ16K-08-06	12	1/2"	08	9/16"-18	26,5	1,04	9,5	0,37	19,0	0,748	3/4"	17,46	0,687	11/16"
FJ11K-08-08	12	1/2"	08	3/4"-16	26,5	1,04	10,7	0,42	19,0	0,748	3/4"	22,0	0,866	7/8"
FJ11K-08-10	12	1/2"	08	7/8"-14	28,5	1,12	12,7	0,50	22,0	0,866	7/8"	27,0	1,063	1.1/16"



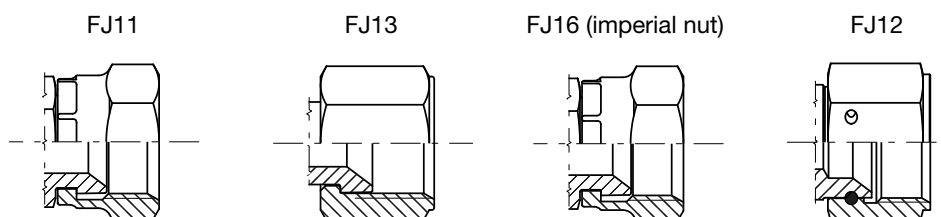
← **FJ11K FJ13K FJ16K FJ12K**

NO SKIVE

code	ø hose			T	A		B		ES			CH		
	dn	inch	size		mm	in	mm	in	mm	in	↻ in	mm	in	↻ in
FJ11K-08-12	12	1/2"	08	1.1/16"-12	34,0	1,34	14,3	0,56	27,0	1,063	1.1/16"	32,0	1,260	1.1/4"
FJ11K-10-08	16	5/8"	10	3/4"-16	28,5	1,12	10,7	0,42	22,0	0,866	7/8"	22,0	0,866	7/8"
FJ11K-10-10	16	5/8"	10	7/8"-14	28,5	1,12	12,7	0,50	22,0	0,866	7/8"	27,0	1,063	1.1/16"
FJ11K-10-12	16	5/8"	10	1.1/16"-12	34,0	1,34	14,3	0,56	27,0	1,063	1.1/16"	32,0	1,260	1.1/4"
FJ11K-12-10	19	3/4"	12	7/8"-14	35,0	1,38	12,7	0,50	27,0	1,063	1.1/16"	27,0	1,063	1.1/16"
FJ11K-12-12	19	3/4"	12	1.1/16"-12	34,5	1,36	14,3	0,56	27,0	1,063	1.1/16"	32,0	1,260	1.1/4"
FJ11K-12-14	19	3/4"	12	1.3/16"-12	31,0	1,22	14,5	0,57	30,0	1,181	1.3/16"	36,0	1,417	1.7/16"
FJ11K-12-16	19	3/4"	12	1.5/16"-12	38,5	1,51	15,1	0,59	32,0	1,260	1.1/4"	38,0	1,496	1.1/2"
FJ11K-16-12	25	1"	16	1.1/16"-12	38,0	1,50	14,3	0,56	32,0	1,260	1.1/4"	32,0	1,260	1.1/4"
FJ11K-16-16	25	1"	16	1.5/16"-12	38,0	1,50	15,1	0,59	32,0	1,260	1.1/4"	38,0	1,496	1.1/2"
FJ12K-16-20	25	1"	16	1.5/8"-12	30,0	1,18	15,9	0,63	-	-	-	50,0	1,969	2"

.....
FITTING
 NPTF-NPSM
JIC
 ORFS
 SAE
 GREASE
 JIS
 BSP-BSPT
 METRIC
 SAE 3000 CODE 61
 STAPLE LOCK

Nut type



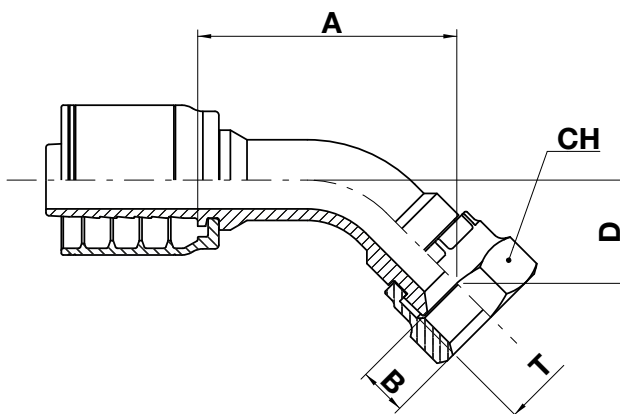
FJ41K FJ43K FJ46K



JIC 37° female swivel - 45° elbow

NO SKIVE

ISO 8434-2 / SAE J514



FITTING

NPTF-NPSM

JIC

ORFS

SAE

GREASE

JIS

BSP-BSPT

METRIC

SAE 3000 CODE 61

STAPLE LOCK

code	ø hose			T	A		B		D		CH		
	dn	inch	size		mm	in	mm	in	mm	in	mm	in	↻ in
FJ41K-04-04	6	1/4"	04	7/16"-20	32,0	1,26	8,7	0,34	11,1	0,44	14,0	0,551	9/16"
FJ41K-04-05	6	1/4"	04	1/2"-20	34,5	1,36	10,5	0,41	14,8	0,58	17,0	0,669	11/16"
FJ43K-04-06	6	1/4"	04	9/16"-18	33,1	1,30	9,5	0,37	13,4	0,53	19,0	0,748	3/4"
FJ46K-04-06	6	1/4"	04	9/16"-18	33,1	1,30	9,5	0,37	13,4	0,53	17,46	0,687	11/16"
FJ41K-05-05	8	5/16"	05	1/2"-20	38,5	1,52	9,5	0,37	14,8	0,59	17,0	0,669	11/16"
FJ41K-05-06	8	5/16"	05	9/16"-18	30,9	1,22	9,5	0,37	12,1	0,48	19,0	0,748	3/4"
FJ41K-06-06	10	3/8"	06	9/16"-18	33,9	1,33	9,5	0,37	12,1	0,48	19,0	0,748	3/4"
FJ46K-06-06	10	3/8"	06	9/16"-18	33,9	1,33	9,5	0,37	12,1	0,48	17,46	0,687	11/16"
FJ43K-06-08	10	3/8"	06	3/4"-16	42,5	1,67	10,7	0,42	15,0	0,59	22,0	0,866	7/8"
FJ43K-06-10	10	3/8"	06	7/8"-14	50,5	1,99	12,5	0,49	19,4	0,76	27,0	1,063	1.1/16"
FJ41K-08-08	12	1/2"	08	3/4"-16	40,7	1,60	10,7	0,42	13,8	0,54	22,0	0,866	7/8"
FJ43K-08-10	12	1/2"	08	7/8"-14	44,0	1,73	12,5	0,49	16,0	0,63	27,0	1,063	1.1/16"
FJ41K-10-10	16	5/8"	10	7/8"-14	54,0	2,13	12,7	0,50	16,0	0,63	27,0	1,063	1.1/16"
FJ41K-10-12	16	5/8"	10	1.1/16"-12	60,5	2,38	14,3	0,56	21,0	0,83	32,0	1,260	1.1/4"
FJ41K-12-12	19	3/4"	12	1.1/16"-12	64,5	2,54	14,3	0,56	21,0	0,83	32,0	1,260	1.1/4"
FJ41K-12-14	19	3/4"	12	1.3/16"-12	63,9	2,52	14,5	0,57	23,2	0,91	36,0	1,417	1.7/16"
FJ41K-12-16	19	3/4"	12	1.5/16"-12	71,5	2,81	15,1	0,59	31,8	1,25	38,0	1,496	1.1/2"
FJ41K-16-16	25	1"	16	1.5/16"-12	86,0	3,38	15,1	0,59	34,5	1,36	38,0	1,496	1.1/2"



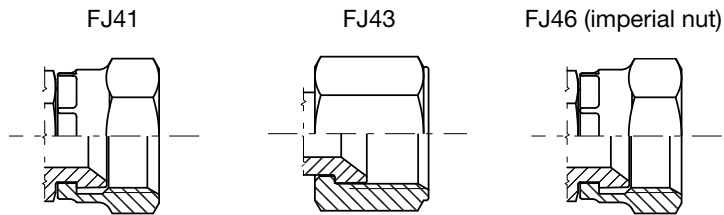
For wire braid hoses



← **FJ41K FJ43K FJ46K**

NO SKIVE

Nut type



-
- FITTING**
- NPTF-NPSM
- JIC**
- ORFS
- SAE
- GREASE
- JIS
- BSP-BSPT
- METRIC
- SAE 3000 CODE 61
- STAPLE LOCK



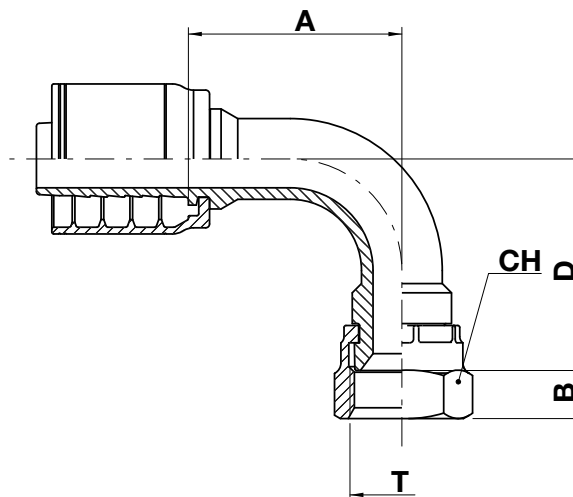
FJ91K FJ93K FJ96K FJ92K



JIC 37° female swivel - 90° elbow

NO SKIVE

ISO 8434-2 / SAE J514



FITTING

NPTF-NPSM

JIC

ORFS

SAE

GREASE

JIS

BSP-BSPT

METRIC

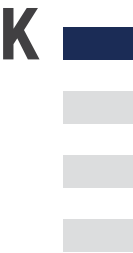
SAE 3000 CODE 61

STAPLE LOCK

code	ø hose			T	A		B		D		CH		
	dn	inch	size		mm	in	mm	in	mm	in	mm	in	↻ in
FJ91K-04-04	6	1/4"	04	7/16"-20	27,0	1,06	8,7	0,34	21,0	0,83	14,0	0,551	9/16"
FJ91K-04-05	6	1/4"	04	1/2"-20	30,8	1,21	9,5	0,37	30,0	1,18	17,0	0,669	11/16"
FJ93K-04-06	6	1/4"	04	9/16"-18	28,5	1,12	9,5	0,37	28,0	1,10	19,0	0,748	3/4"
FJ96K-04-06	6	1/4"	04	9/16"-18	28,5	1,12	9,5	0,37	23,0	0,91	17,46	0,687	11/16"
FJ91K-05-05	8	5/16"	05	1/2"-20	32,8	1,26	9,5	0,37	30,0	1,18	17,0	0,669	11/16"
FJ91K-05-06	8	5/16"	05	9/16"-18	26,8	1,06	9,5	0,37	23,0	0,91	19,0	0,748	3/4"
FJ91K-06-06	10	3/8"	06	9/16"-18	27,8	1,09	9,5	0,37	23,0	0,91	19,0	0,748	3/4"
FJ96K-06-06	10	3/8"	06	9/16"-18	27,8	1,09	9,5	0,37	23,0	0,91	17,46	0,687	11/16"
FJ93K-06-08	10	3/8"	06	3/4"-16	35,0	1,38	10,7	0,42	30,0	1,18	22,0	0,866	7/8"
FJ93K-06-10	10	3/8"	06	7/8"-14	37,1	1,46	12,5	0,49	38,0	1,50	27,0	1,063	1.1/16"
FJ91K-08-06	12	1/2"	08	9/16"-18	33,5	1,32	9,5	0,37	23,0	0,91	19,0	0,748	3/4"
FJ91K-08-08	12	1/2"	08	3/4"-16	39,5	1,56	10,7	0,42	30,0	1,18	22,0	0,866	7/8"
FJ93K-08-10	12	1/2"	08	7/8"-14	44,0	1,73	12,5	0,49	32,0	1,26	27,0	1,063	1.1/16"
FJ91K-08-12	12	1/2"	08	1.1/16"-12	44,0	1,73	14,3	0,56	48,0	1,89	32,0	1,260	1.1/4"
FJ91K-10-10	16	5/8"	10	7/8"-14	48,5	1,91	12,5	0,49	32,0	1,26	27,0	1,063	1.1/16"
FJ91K-10-12	16	5/8"	10	1.1/16"-12	56,0	2,26	14,3	0,56	48,0	1,89	32,0	1,260	1.1/4"
FJ91K-12-12	19	3/4"	12	1.1/16"-12	61,0	2,41	14,3	0,56	48,0	1,89	32,0	1,260	1.1/4"
FJ91K-12-16	19	3/4"	12	1.5/16"-12	55,5	2,19	15,1	0,61	62,0	2,44	38,0	1,496	1.1/2"
FJ91K-16-16	25	1"	16	1.5/16"-12	75,5	2,97	15,1	0,61	71,0	2,80	38,0	1,496	1.1/2"



For wire braid hoses



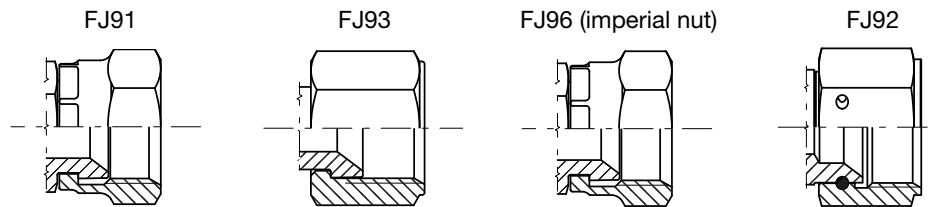
← **FJ91K FJ93K FJ96K FJ92K**

NO SKIVE

code	ø hose			T	A		B		D		CH		
	dn	inch	size		mm	in	mm	in	mm	in	mm	in	↻ in
FJ92K-16-20	25	1"	16	1.5/8"-12	79,5	3,13	16,0	0,63	79,5	3,13	50,0	1,969	2"

-
- FITTING**
- NPTF-NPSM
 - JIC**
 - ORFS
 - SAE
 - GREASE
 - JIS
 - BSP-BSPT
 - METRIC
 - SAE 3000 CODE 61
 - STAPLE LOCK

Nut type

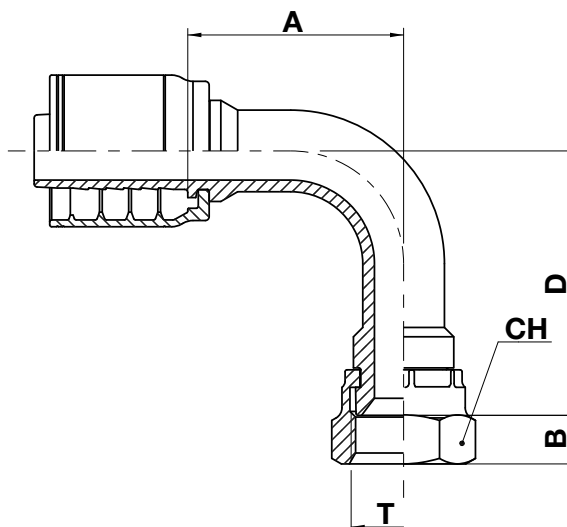


FJ91K-M FJ93K-M

JIC 37° female swivel - 90° elbow (medium drop)

NO SKIVE

ISO 8434-2 / SAE J514



FITTING

NPTF-NPSM

JIC

ORFS

SAE

GREASE

JIS

BSP-BSPT

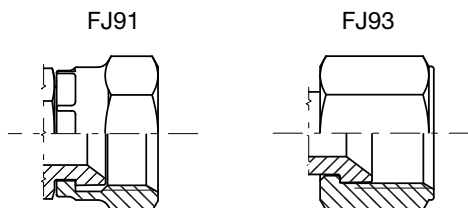
METRIC

SAE 3000 CODE 61

STAPLE LOCK

code	ø hose			T	A		B		D		CH		
	dn	inch	size		mm	in	mm	in	mm	in	mm	in	↻ in
FJ91K-04-04-M	6	1/4"	04	7/16"-20	27,0	1,06	8,7	0,34	32,0	1,26	14,0	0,551	9/16"
FJ93K-04-06-M	6	1/4"	04	9/16"-18	28,5	1,12	9,5	0,37	38,0	1,50	19,0	0,748	3/4"
FJ91K-06-06-33	10	3/8"	06	9/16"-18	27,8	1,09	9,5	0,37	33,0	1,30	19,0	0,748	3/4"
FJ91K-06-06-M	10	3/8"	06	9/16"-18	27,8	1,09	9,5	0,37	38,0	1,50	19,0	0,748	3/4"
FJ91K-06-08-M	10	3/8"	06	3/4"-16	33,5	1,32	10,7	0,42	41,0	1,73	22,0	0,866	7/8"
FJ91K-08-08-M	12	1/2"	08	3/4"-16	39,5	1,56	10,7	0,42	41,0	1,73	22,0	0,866	7/8"
FJ93K-08-10-M	16	5/8"	10	7/8"-14	44,0	1,73	12,5	0,49	47,0	1,85	27,0	1,062	1.1/16"
FJ91K-08-12-M	12	1/2"	08	1.1/16"-12	46,5	1,83	14,3	0,56	58,0	2,28	32,0	1,260	-
FJ91K-10-10-M	16	5/8"	10	7/8"-14	48,5	1,91	12,5	0,49	47,0	1,85	27,0	1,062	1.1/16"
FJ91K-10-12-M	16	5/8"	10	1.1/16"-12	55,0	2,17	14,3	0,56	58,0	2,28	32,0	1,260	-
FJ91K-12-12-M	19	3/4"	12	1.1/16"-12	56,0	2,20	14,3	0,56	58,0	2,28	32,0	1,260	-

Nut type

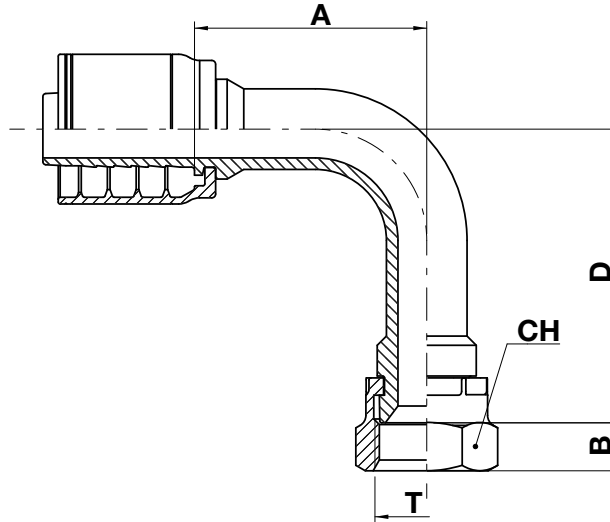


FJ91K-L FJ93K-L FJ96K-L

JIC 37° female swivel - 90° elbow (long drop)

NO SKIVE

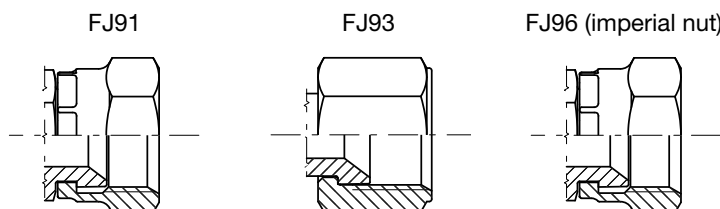
ISO 8434-2 / SAE J514



-
- FITTING**
- NPTF-NPSM
 - JIC**
 - ORFS
 - SAE
 - GREASE
 - JIS
 - BSP-BSPT
 - METRIC
 - SAE 3000 CODE 61
 - STAPLE LOCK

code	ø hose			T	A		B		D		CH		
	dn	inch	size		mm	in	mm	in	mm	in	mm	in	↗ in
FJ91K-04-04-L	6	1/4"	04	7/16"-20	27,0	1,06	8,7	0,34	46,0	1,81	14,0	0,551	9/16"
FJ91K-04-05-L	6	1/4"	04	1/2"-20	30,8	1,21	9,5	0,37	46,0	1,81	17,0	0,669	11/16"
FJ93K-04-06-L	6	1/4"	04	9/16"-18	28,5	1,12	9,5	0,37	56,0	2,20	19,0	0,748	3/4"
FJ96K-04-06-L	6	1/4"	04	9/16"-18	28,5	1,12	9,5	0,37	56,0	2,20	17,46	0,687	11/16"
FJ91K-06-06-L	10	3/8"	06	9/16"-18	27,8	1,09	9,5	0,37	56,0	2,20	19,0	0,748	3/4"
FJ93K-06-08-L	10	3/8"	06	3/4"-16	35,0	1,38	10,7	0,42	62,0	2,44	22,0	0,866	7/8"
FJ91K-08-08-L	12	1/2"	08	3/4"-16	39,5	1,56	10,7	0,42	62,0	2,44	22,0	0,866	7/8"
FJ93K-08-10-65	16	5/8"	10	7/8"-14	54,0	2,13	12,5	0,49	65,0	2,56	27,0	1,063	1.1/16"
FJ93K-08-10-L	16	5/8"	10	7/8"-14	54,0	2,13	12,5	0,49	70,0	2,76	27,0	1,063	1.1/16"
FJ91K-10-10-65	16	5/8"	10	7/8"-14	54,0	2,13	12,5	0,49	65,0	2,56	27,0	1,063	1.1/16"
FJ91K-10-10-L	16	5/8"	10	7/8"-14	54,0	2,13	12,5	0,49	70,0	2,76	27,0	1,063	1.1/16"
FJ91K-10-12-L	16	5/8"	10	1.1/16"-12	55,0	2,16	14,3	0,56	96,0	3,78	32,0	1,260	1.1/4"
FJ91K-12-12-L	19	3/4"	12	1.1/16"-12	55,5	2,19	14,3	0,56	96,0	3,78	32,0	1,260	1.1/4"
FJ91K-16-16-110	25	1"	16	1.5/16"-12	75,5	2,97	15,1	0,61	110,0	4,33	38,0	1,496	1.1/2"
FJ91K-16-16-L	25	1"	16	1.5/16"-12	75,5	2,97	15,1	0,61	114,0	4,49	38,0	1,496	1.1/2"

Nut type

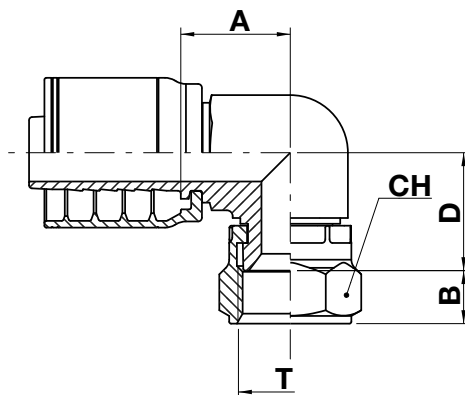


KJ91K KJ96K

JIC 37° female swivel - 90° elbow (compact forged)

NO SKIVE

ISO 8434-2 / SAE J514



FITTING

NPTF-NPSM

JIC

ORFS

SAE

GREASE

JIS

BSP-BSPT

METRIC

SAE 3000 CODE 61

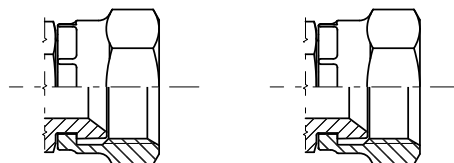
STAPLE LOCK

code	ø hose			T	A		B		D		CH		
	dn	inch	size		mm	in	mm	in	mm	in	mm	in	↻ in
KJ91K-04-04	6	1/4"	04	7/16"-20	18,5	0,73	8,7	0,34	19,6	0,77	17,0	0,669	11/16"
KJ91K-04-06	6	1/4"	04	9/16"-18	18,5	0,73	9,5	0,37	21,5	0,85	19,0	0,748	3/4"
KJ96K-04-06	6	1/4"	04	9/16"-18	18,5	0,73	8,5	0,33	21,8	0,86	17,46	0,687	11/16"
KJ91K-06-06	10	3/8"	06	9/16"-18	21,5	0,85	8,5	0,33	24,0	0,94	19,0	0,748	3/4"
KJ96K-06-06	10	3/8"	06	9/16"-18	21,5	0,85	8,5	0,33	23,0	0,91	17,46	0,687	11/16"
KJ91K-06-08	10	3/8"	06	3/4"-16	21,5	0,85	10,5	0,41	24,9	0,98	22,0	0,866	7/8"
KJ91K-08-08	12	1/2"	08	3/4"-16	25,0	0,98	9,5	0,37	26,9	1,06	22,0	0,866	7/8"
KJ91K-08-10	12	1/2"	08	7/8"-14	25,0	0,98	13,0	0,51	28,3	1,11	27,0	1,063	1.1/16"
KJ91K-10-10	16	5/8"	10	7/8"-14	26,0	1,02	13,0	0,51	27,7	1,09	27,0	1,063	1.1/16"
KJ91K-10-12	16	5/8"	10	1.1/16"-12	29,0	1,14	14,5	0,57	30,0	1,18	32,0	1,260	1.1/4"
KJ91K-12-12	19	3/4"	12	1.1/16"-12	28,5	1,12	14,3	0,56	30,7	1,21	32,0	1,260	1.1/4"
KJ91K-16-16	25	1"	16	1.5/16"-12	34,0	1,34	14,5	0,57	32,5	1,28	38,0	1,496	1.1/2"

Nut type

KJ91

KJ96 (imperial nut)

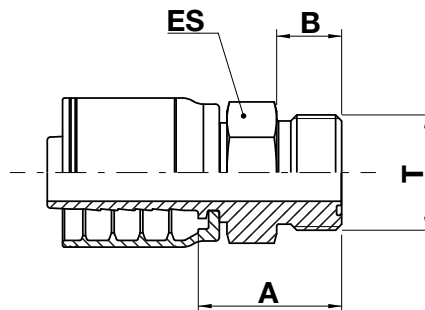


OM10K*

ORFS male

NO SKIVE

ISO 8434-3 / SAE J1453



.....
FITTING
 NPTF-NPSM
 JIC
ORFS
 SAE
 GREASE
 JIS
 BSP-BSPT
 METRIC
 SAE 3000 CODE 61
 STAPLE LOCK

code	ø hose			T	A		B		ES		
	dn	inch	size		mm	in	mm	in	mm	in	↗ in
OM10K-04-04	6	1/4"	04	9/16"-18	24,0	0,94	10,0	0,40	15,0	0,591	5/8"
OM10K-04-06	6	1/4"	04	11/16"-16	26,5	1,04	11,2	0,44	19,0	0,748	3/4"
OM10K-06-06	10	3/8"	06	11/16"-16	26,5	1,04	11,2	0,44	19,0	0,748	3/4"
OM10K-06-08	10	3/8"	06	13/16"-16	29,0	1,14	13,2	0,52	22,0	0,866	7/8"
OM10K-08-08	12	1/2"	08	13/16"-16	29,5	1,16	13,2	0,52	22,0	0,866	7/8"
OM10K-08-10	12	1/2"	08	1"-14	34,0	1,34	15,7	0,62	27,0	1,063	1.1/16"
OM10K-08-12	12	1/2"	08	1.3/16"-12	37,0	1,46	17,0	0,67	32,0	1,260	1.1/4"
OM10K-10-08	16	5/8"	10	1.3/16"-16	29,5	1,16	13,2	0,52	22,0	0,866	7/8"
OM10K-10-10	16	5/8"	10	1"-14	34,0	1,34	15,7	0,62	27,0	1,063	1.1/16"
OM10K-10-12	16	5/8"	10	1.3/16"-12	37,0	1,46	17,0	0,67	32,0	1,260	1.1/4"
OM10K-12-10	19	3/4"	12	1"-14	34,5	1,36	15,7	0,62	27,0	1,063	1.1/16"
OM10K-12-12	19	3/4"	12	1.3/16"-12	37,5	1,48	17,0	0,67	32,0	1,260	1.1/4"
OM10K-12-16	19	3/4"	12	1.7/16"-12	40,0	1,57	17,5	0,69	41,0	1,614	1.5/8"
OM10K-16-16	25	1"	16	1.7/16"-12	41,5	1,63	17,5	0,69	41,0	1,614	1.5/8"

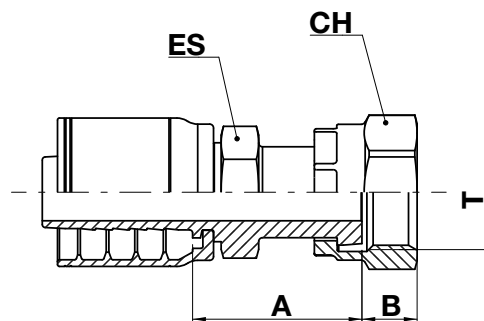
* OM13K complete with O-ring

OR13K

ORFS female swivel

NO SKIVE

ISO 8434-3 / SAE J1453



FITTING

NPTF-NPSM

JIC

ORFS

SAE

GREASE

JIS

BSP-BSPT

METRIC

SAE 3000 CODE 61

STAPLE LOCK

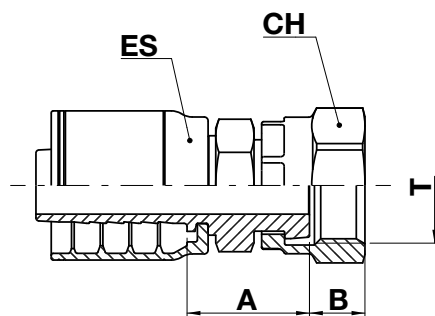
code	ø hose			T	A		B		ES			CH		
	dn	inch	size		mm	in	mm	in	mm	in	↻ in	mm	in	↻ in
OR13K-04-04	6	1/4"	04	9/16"-18	28,0	1,10	8,0	0,31	14,0	0,551	9/16"	17,0	0,669	11/16"
OR13K-04-06	6	1/4"	04	11/16"-16	31,5	1,24	9,5	0,37	17,0	0,669	11/16"	22,0	0,866	7/8"
OR13K-05-06	8	5/16"	05	11/16"-16	32,0	1,26	9,5	0,37	17,0	0,669	11/16"	22,0	0,866	7/8"
OR13K-06-04	10	3/8"	06	9/16"-18	30,5	1,2,0	8,0	0,31	17,0	0,669	11/16"	17,0	0,669	11/16"
OR13K-06-06	10	3/8"	06	11/16"-16	32,0	1,26	9,5	0,37	17,0	0,669	11/16"	22,0	0,866	7/8"
OR13K-06-08	10	3/8"	06	13/16"-16	36,5	1,44	11,0	0,43	19,0	0,748	3/4"	24,0	0,945	15/16"
OR13K-08-06	12	1/2"	08	11/16"-16	31,5	1,24	9,5	0,37	19,0	0,748	3/4"	22,0	0,866	7/8"
OR13K-08-08	12	1/2"	08	13/16"-16	35,0	1,38	11,0	0,43	19,0	0,748	3/4"	24,0	0,945	15/16"
OR13K-08-10	12	1/2"	08	1"-14	39,0	1,54	13,5	0,53	24,0	0,945	15/16"	30,0	1,181	1.3/16"
OR13K-08-12	12	1/2"	08	1.3/16"-12	44,0	1,73	14,5	0,57	30,0	1,181	1.3/16"	36,0	1,417	1.7/16"
OR13K-10-10	16	5/8"	10	1"-14	39,0	1,54	13,5	0,53	24,0	0,945	15/16"	30,0	1,118	1.3/16"
OR13K-10-12	16	5/8"	10	1.3/16"-12	44,0	1,73	14,5	0,57	30,0	1,181	1.3/16"	36,0	1,417	1.7/16"
OR13K-12-10	19	3/4"	12	1"-14	42,0	1,65	13,5	0,53	27,0	1,063	1.1/16"	30,0	1,181	1.3/16"
OR13K-12-12	19	3/4"	12	1.3/16"-12	44,6	1,76	14,5	0,57	30,0	1,181	1.3/16"	36,0	1,417	1.7/16"
OR13K-12-16	19	3/4"	12	1.7/16"-12	51,5	2,03	14,8	0,58	36,0	1,417	1.7/16"	41,0	1,614	1.5/8"
OR13K-16-16	25	1"	16	1.7/16"-12	52,5	2,07	14,8	0,58	36,0	1,417	1.7/16"	41,0	1,614	1.5/8"

OR11K

ORFS short female swivel

NO SKIVE

ISO 8434-3 / SAE J1453



.....

FITTING

NPTF-NPSM

JIC

ORFS

SAE

GREASE

JIS

BSP-BSPT

METRIC

SAE 3000 CODE 61

STAPLE LOCK

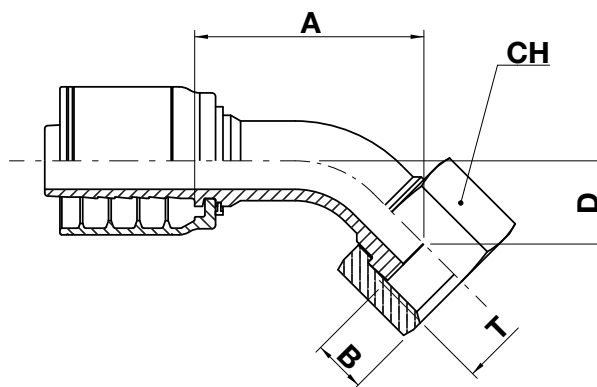
code	ø hose			T	A		B		ES			CH		
	dn	inch	size		mm	in	mm	in	mm	in	↻in	mm	in	↻in
OR11K-04-04	6	1/4"	04	9/16"-18	22,0	0,87	8,0	0,31	14,0	0,551	9/16"	17,0	0,669	11/16"
OR11K-04-06	6	1/4"	04	11/16"-16	23,5	0,92	9,5	0,37	17,0	0,669	11/16"	22,0	0,866	7/8"
OR11K-06-04	10	3/8"	06	9/16"-18	23,0	0,90	8,0	0,31	17,0	0,669	11/16"	17,0	0,669	11/16"
OR11K-06-06	10	3/8"	06	11/16"-16	23,5	0,92	9,5	0,37	17,0	0,669	11/16"	22,0	0,866	7/8"
OR11K-06-08	10	3/8"	06	13/16"-16	27,0	1,06	11,0	0,43	19,0	0,748	3/4"	24,0	0,945	15/16"
OR11K-08-06	12	1/2"	08	11/16"-16	25,0	0,98	9,5	0,37	19,0	0,748	3/4"	22,0	0,866	7/8"
OR11K-08-08	12	1/2"	08	13/16"-16	27,5	1,08	11,0	0,43	19,0	0,748	3/4"	24,0	0,945	15/16"
OR11K-08-10	12	1/2"	08	1"-14	29,0	1,14	13,5	0,53	24,0	0,945	15/16"	30,0	1,181	1.3/16"
OR11K-10-08	16	5/8"	10	13/16"-16	28,5	1,12	11,0	0,43	24,0	0,945	15/16"	24,0	0,945	15/16"
OR11K-10-10	16	5/8"	10	1"-14	29,0	1,14	13,5	0,53	24,0	0,945	15/16"	30,0	1,181	1.3/16"
OR11K-10-12	16	5/8"	10	1.3/16"-12	31,5	1,24	14,5	0,57	30,0	1,181	1.3/16"	36,0	1,417	1.7/16"
OR11K-12-12	19	3/4"	12	1.3/16"-12	32,0	1,26	14,5	0,57	30,0	1,181	1.3/16"	36,0	1,417	1.7/16"
OR11K-12-16	19	3/4"	12	1.7/16"-12	38,5	1,52	14,8	0,58	36,0	1,417	1.7/16"	41,0	1,614	1.5/8"
OR11K-16-16	25	1"	16	1.7/16"-12	40,0	1,57	14,8	0,58	36,0	1,417	1.7/16"	41,0	1,614	1.5/8"

OR44K OR43K

ORFS female swivel - 45° elbow

NO SKIVE

ISO 8434-3 / SAE J1453



FITTING

NPTF-NPSM

JIC

ORFS

SAE

GREASE

JIS

BSP-BSPT

METRIC

SAE 3000 CODE 61

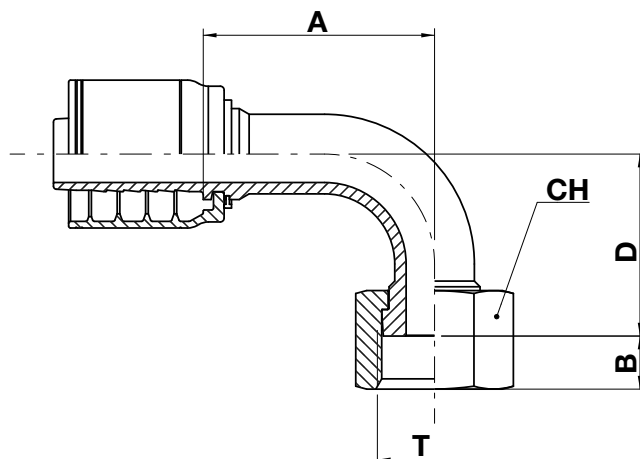
STAPLE LOCK

code	ø hose			T	A		B		D		CH		
	dn	inch	size		mm	in	mm	in	mm	in	mm	in	↗ in
OR44K-04-04	6	1/4"	04	9/16"-18	29,5	1,16	8,0	0,31	10,0	0,39	17,0	0,669	11/16"
OR44K-04-06	6	1/4"	04	11/16"-16	29,0	1,14	9,5	0,37	11,0	0,43	22,0	0,866	7/8"
OR44K-05-06	8	5/16"	05	11/16"-16	35,5	1,40	9,5	0,37	11,0	0,43	22,0	0,866	7/8"
OR43K-06-04	10	3/8"	06	13/16"-16	32,5	1,28	8,0	0,31	10,0	0,39	17,0	0,669	11/16"
OR44K-06-06	10	3/8"	06	9/16"-18	35,5	1,40	9,5	0,37	11,0	0,43	22,0	0,866	7/8"
OR44K-06-08	10	3/8"	06	11/16"-16	38,5	1,51	11,0	0,43	15,0	0,59	24,0	0,945	15/16"
OR43K-08-06	12	1/2"	08	11/16"-16	38,5	1,51	9,5	0,37	11,0	0,43	22,0	0,866	7/8"
OR44K-08-08	12	1/2"	08	13/16"-16	43,0	1,69	11,0	0,43	15,0	0,59	24,0	0,945	15/16"
OR44K-08-10	12	1/2"	08	1"-14	43,5	1,71	13,5	0,53	16,0	0,63	30,0	1,181	1.3/16"
OR43K-08-12	12	1/2"	08	1.3/16"-12	56,5	2,22	14,5	0,57	18,9	0,74	36,0	1,417	1.7/16"
OR44K-10-10	16	5/8"	10	1"-14	48,5	1,91	13,5	0,53	16,0	0,63	30,0	1,181	1.3/16"
OR44K-10-12	16	5/8"	10	1.3/16"-12	60,5	2,38	14,5	0,57	21,0	0,83	36,0	1,417	1.7/16"
OR43K-12-10	19	3/4"	12	1"-14	67,5	2,65	13,5	0,53	15,0	0,59	30,0	1,181	1.3/16"
OR44K-12-12	19	3/4"	12	1.3/16"-12	62,0	2,44	14,5	0,57	21,0	0,83	36,0	1,417	1.7/16"
OR44K-12-16	19	3/4"	12	1.7/16"-12	63,0	2,48	14,8	0,58	24,0	0,94	41,0	1,614	1.5/8"
OR44K-16-16	25	1"	16	1.7/16"-12	73,0	2,87	14,8	0,58	24,0	0,94	41,0	1,614	1.5/8"

OR94K OR93K**ORFS female swivel - 90° elbow**

NO SKIVE

ISO 8434-3 / SAE J1453



FITTING
 NPTF-NPSM
 JIC
ORFS
 SAE
 GREASE
 JIS
 BSP-BSPT
 METRIC
 SAE 3000 CODE 61
 STAPLE LOCK

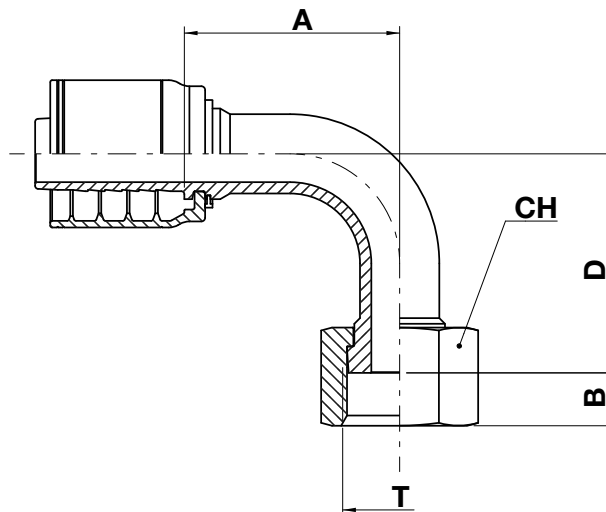
code	ø hose			T	A		B		D		CH		
	dn	inch	size		mm	in	mm	in	mm	in	mm	in	in
OR94K-04-04	6	1/4"	04	9/16"-18	27,5	1,08	8,0	0,31	22,0	0,87	17,0	0,669	11/16"
OR94K-04-06	6	1/4"	04	11/16"-16	27,5	1,08	9,5	0,37	23,0	0,90	22,0	0,866	7/8"
OR94K-05-06	8	5/16"	05	11/16"-16	31,5	1,24	9,5	0,37	24,0	0,94	22,0	0,866	7/8"
OR93K-06-04	10	3/8"	06	9/16"-18	27,8	1,09	8,0	0,31	21,0	0,83	17,0	0,669	11/16"
OR94K-06-06	10	3/8"	06	11/16"-16	31,5	1,24	9,5	0,37	24,0	0,94	22,0	0,866	7/8"
OR94K-06-08	10	3/8"	06	13/16"-16	31,5	1,24	11,0	0,43	30,0	1,18	24,0	0,945	15/16"
OR93K-08-06	12	1/2"	08	11/16"-16	37,0	1,46	11,0	0,43	23,0	0,91	22,0	0,866	7/8"
OR94K-08-08	12	1/2"	08	13/16"-16	44,5	1,75	11,0	0,43	29,0	1,14	24,0	0,945	15/16"
OR94K-08-10	12	1/2"	08	1"-14	37,5	1,48	13,5	0,53	33,0	1,30	30,0	1,181	1.3/16"
OR94K-08-12	12	1/2"	08	1.3/16"-12	42,5	1,67	14,5	0,57	48,0	1,61	36,0	1,417	1.7/16"
OR94K-10-10	16	5/8"	10	1"-14	46,5	1,83	13,5	0,53	32,0	1,26	30,0	1,181	1.3/16"
OR94K-10-12	16	5/8"	10	1.3/16"-12	53,5	2,11	14,5	0,57	48,0	1,89	36,0	1,417	1.7/16"
OR93K-12-10	19	3/4"	12	1"-14	50,5	2,00	13,5	0,53	32,0	1,26	30,0	1,181	1.3/16"
OR94K-12-12	19	3/4"	12	1.3/16"-12	61,0	2,40	14,5	0,57	48,0	1,89	36,0	1,417	1.7/16"
OR94K-12-16	19	3/4"	12	1.7/16"-12	57,0	2,24	13,8	0,54	56,0	2,20	41,0	1,614	1.5/8"
OR94K-16-16	25	1"	16	1.7/16"-12	71,0	2,80	13,8	0,54	56,0	2,20	41,0	1,614	1.5/8"

OR94K-M

ORFS female swivel - 90° elbow (medium drop)

NO SKIVE

ISO 8434-3 / SAE J1453



FITTING

NPTF-NPSM

JIC

ORFS

SAE

GREASE

JIS

BSP-BSPT

METRIC

SAE 3000 CODE 61

STAPLE LOCK

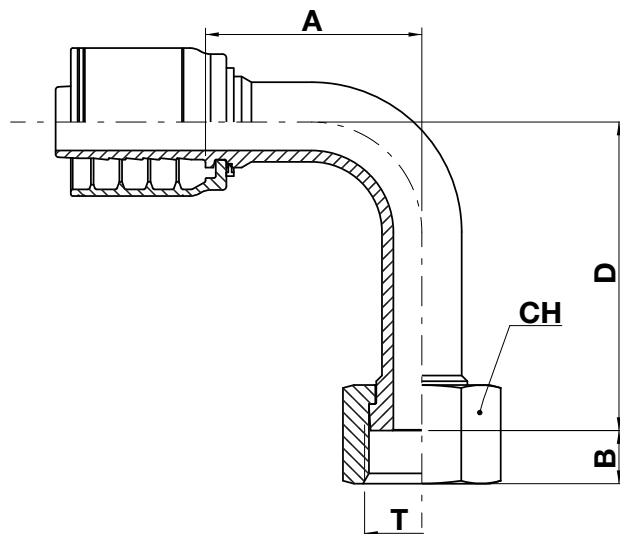
code	ø hose			T	A		B		D		CH		
	dn	inch	size		mm	in	mm	in	mm	in	mm	in	↻ in
OR94K-04-04-M	6	1/4"	04	9/16"-18	29,5	1,16	8,0	0,31	33,0	1,30	17,0	0,669	11/16"
OR94K-04-06-M	6	1/4"	04	11/16"-16	31,5	1,24	9,5	0,37	38,0	1,50	22,0	0,866	7/8"
OR94K-06-06-M	10	3/8"	06	11/16"-16	31,5	1,24	9,5	0,37	38,0	1,50	22,0	0,866	7/8"
OR94K-06-08-M	10	3/8"	06	13/16"-16	34,0	1,34	11,0	0,43	41,0	1,61	24,0	0,945	15/16"
OR94K-08-08-M	12	1/2"	08	13/16"-16	40,0	1,57	11,0	0,43	41,0	1,61	24,0	0,945	15/16"
OR94K-10-10-M	16	5/8"	10	1"-14	53,5	2,10	13,5	0,53	47,0	1,85	30,0	1,181	1.3/16"
OR94K-12-12-M	19	3/4"	12	1.3/16"-12	61,0	2,40	14,5	0,57	58,0	2,28	36,0	1,417	1.7/16"
OR94K-16-16-M	25	1"	16	1.7/16"-12	74,0	2,91	13,8	0,54	71,0	2,79	41,0	1,614	1.5/8"

OR94K-L

ORFS female swivel - 90° elbow (long drop)

NO SKIVE

ISO 8434-3 / SAE J1453



FITTING
 NPTF-NPSM
 JIC
ORFS
 SAE
 GREASE
 JIS
 BSP-BSPT
 METRIC
 SAE 3000 CODE 61
 STAPLE LOCK

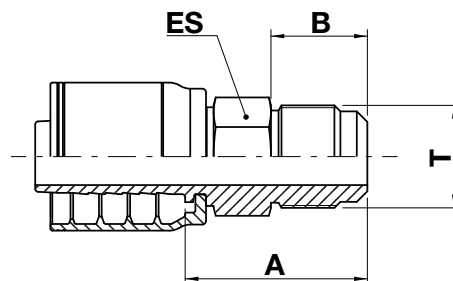
code	ø hose			T	A		B		D		CH		
	dn	inch	size		mm	in	mm	in	mm	in	mm	in	in
OR94K-04-04-L	6	1/4"	04	9/16"-18	29,5	1,16	8,0	0,31	46,0	1,81	17,0	0,669	11/16"
OR94K-04-06-L	6	1/4"	04	11/16"-16	31,5	1,24	9,5	0,37	54,0	2,12	22,0	0,866	7/8"
OR94K-06-06-L	10	3/8"	06	11/16"-16	31,5	1,24	9,5	0,37	54,0	2,12	22,0	0,866	7/8"
OR94K-06-08-L	10	3/8"	06	13/16"-16	31,5	1,24	11,0	0,43	64,0	2,52	24,0	0,945	15/16"
OR94K-08-08-L	12	1/2"	08	13/16"-16	40,0	1,57	11,0	0,43	64,0	2,52	24,0	0,945	15/16"
OR94K-10-10-L	16	5/8"	10	1"-14	53,5	2,10	13,5	0,53	70,0	2,75	30,0	1,181	1.3/16"
OR94K-12-12-L	19	3/4"	12	1.3/16"-12	61,0	2,40	14,5	0,57	96,0	3,78	36,0	1,417	1.7/16"
OR94K-16-16-L	25	1"	16	1.7/16"-12	70,3	2,77	13,8	0,54	114,0	4,49	41,0	1,614	1.5/8"

MU10K

SAE 45° male

NO SKIVE

SAE J512

**FITTING**

NPTF-NPSM

JIC

ORFS

SAE

GREASE

JIS

BSP-BSPT

METRIC

SAE 3000 CODE 61

STAPLE LOCK

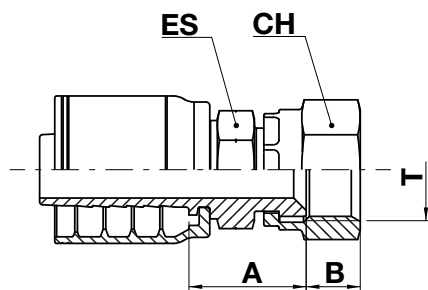
code	ø hose			T	A		B		ES		
	dn	inch	size		mm	in	mm	in	mm	in	↻ in
MU10K-04-04	6	1/4"	04	7/16"-20	25,0	0,98	12,7	0,50	14,0	0,551	9/16"
MU10K-06-06	10	3/8"	06	5/8"-18	29,0	1,14	15,7	0,62	17,0	0,669	11/16"
MU10K-08-08	12	1/2"	08	3/4"-16	33,5	1,32	19,0	0,75	19,0	0,748	3/4"
MU10K-08-10	12	1/2"	08	7/8"-14	38,5	1,52	22,4	0,88	24,0	0,945	15/16"
MU10K-10-10	16	5/8"	10	7/8"-14	39,5	1,55	22,4	0,88	24,0	0,945	15/16"
MU10K-12-12	19	3/4"	12	1.1/16"-14	48,0	1,89	25,4	1,00	27,0	1,063	1.1/16"

FU11K

SAE 45° female swivel

NO SKIVE

SAE J512



FITTING

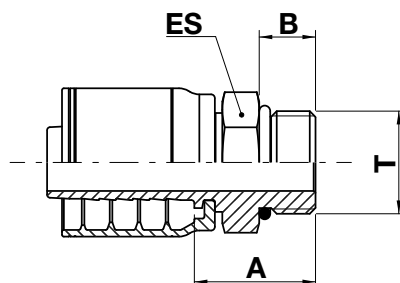
NPTF-NPSM
 JIC
 ORFS
SAE
 GREASE
 JIS
 BSP-BSPT
 METRIC
 SAE 3000 CODE 61
 STAPLE LOCK

code	ø hose			T	A		B		ES			CH		
	dn	inch	size		mm	in	mm	in	mm	in	↗ in	mm	in	↗ in
FU11K-04-04	6	1/4"	04	7/16"-20	20,5	0,80	8,7	0,34	14,0	0,551	9/16"	15,0	0,591	5/8"
FU11K-04-05	6	1/4"	04	1/2"-20	21,5	0,85	9,5	0,37	14,0	0,551	9/16"	17,0	0,669	11/16"
FU11K-04-06	6	1/4"	04	5/8"-18	24,0	0,94	10,8	0,43	19,0	0,748	3/4"	22,0	0,866	7/8"
FU11K-06-06	10	3/8"	06	5/8"-18	24,0	0,94	10,8	0,43	19,0	0,748	3/4"	22,0	0,866	7/8"
FU11K-06-08	10	3/8"	06	3/4"-16	26,5	1,04	10,8	0,43	19,0	0,748	3/4"	24,0	0,945	15/16"
FU11K-06-10	10	3/8"	06	7/8"-14	29,3	1,15	12,7	0,50	22,0	0,866	7/8"	27,0	1,063	1.1/16"
FU11K-08-08	12	1/2"	08	3/4"-16	28,0	1,10	10,8	0,43	19,0	0,748	3/4"	24,0	0,945	15/16"
FU11K-08-10	12	1/2"	08	7/8"-14	28,5	1,12	12,7	0,50	22,0	0,866	7/8"	27,0	1,063	1.1/16"
FU11K-10-10	16	5/8"	10	7/8"-14	29,5	1,16	12,7	0,50	22,0	0,866	7/8"	27,0	1,063	1.1/16"
FU11K-10-12	16	5/8"	10	1.1/16"-14	30,5	1,20	14,4	0,57	27,0	1,063	1.1/16"	32,0	1,260	1.1/4"
FU11K-12-12	19	3/4"	12	1.1/16"-14	31,0	1,22	14,4	0,57	27,0	1,063	1.1/16"	32,0	1,260	1.1/4"

ME10K***O-ring boss male**

NO SKIVE

SAE J1926

**FITTING**

NPTF-NPSM

JIC

ORFS

SAE

GREASE

JIS

BSP-BSPT

METRIC

SAE 3000 CODE 61

STAPLE LOCK

code	ø hose			T	A		B		ES		
	dn	inch	size		mm	in	mm	in	mm	in	↻ in
ME10K-04-04	6	1/4"	04	7/16"-20	22,0	0,87	9,15	0,36	14,0	0,551	9/16"
ME10K-04-05	6	1/4"	04	1/2"-20	23,5	0,93	9,15	0,36	17,0	0,669	11/16"
ME10K-04-06	6	1/4"	04	9/16"-18	24,5	0,96	10,0	0,39	17,0	0,669	11/16"
ME10K-06-06	10	3/8"	06	9/16"-18	24,5	0,96	9,9	0,39	17,0	0,669	11/16"
ME10K-06-08	10	3/8"	06	3/4"-16	26,5	1,04	11,1	0,44	22,0	0,866	7/8"
ME10K-06-10	10	3/8"	06	7/8"-14	28,5	1,12	12,7	0,50	27,0	1,063	1.1/16"
ME10K-08-08	12	1/2"	08	3/4"-16	27,0	1,06	11,1	0,44	22,0	0,866	7/8"
ME10K-08-10	12	1/2"	08	7/8"-14	29,0	1,14	12,7	0,50	27,0	1,063	1.1/16"
ME10K-08-12	12	1/2"	08	1.1/16"-12	32,0	1,26	15,1	0,59	32,0	1,260	1.1/4"
ME10K-10-08	16	5/8"	10	3/4"-16	27,5	1,08	11,1	0,44	24,0	0,945	15/16"
ME10K-10-10	16	5/8"	10	7/8"-14	29,0	1,14	12,7	0,50	27,0	1,063	1.1/16"
ME10K-10-12	16	5/8"	10	1.1/16"-12	32,0	1,26	15,0	0,59	32,0	1,260	1.1/4"
ME10K-12-12	19	3/4"	12	1.1/16"-12	32,5	1,28	15,0	0,59	32,0	1,260	1.1/4"
ME10K-12-14	19	3/4"	12	1.3/16"-12	37,5	1,48	15,1	0,59	36,0	1,417	1.7/16"
ME10K-12-16	19	3/4"	12	1.5/16"-12	38,5	1,52	15,1	0,59	36,0	1,417	1.7/16"
ME10K-16-16	25	1"	16	1.5/16"-12	39,1	1,54	15,1	0,59	38,0	1,496	1.1/2"

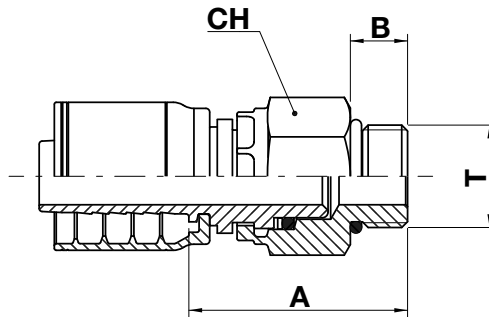
* Complete with O-ring

MV10K MV16K

O-ring boss male swivel

NO SKIVE

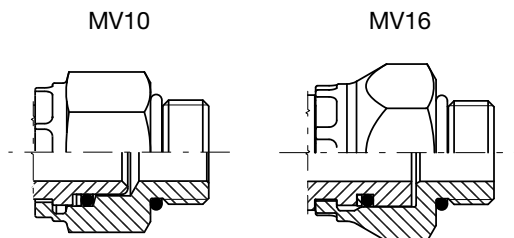
SAE J1926



- FITTING**
- NPTF-NPSM
 - JIC
 - ORFS
 - SAE**
 - GREASE
 - JIS
 - BSP-BSPT
 - METRIC
 - SAE 3000 CODE 61
 - STAPLE LOCK

code	ø hose			T	A		B		CH		
	dn	inch	size		mm	in	mm	in	mm	in	↻ in
MV10K-04-04	6	1/4"	04	7/16"-20	36,5	1,44	9,1	0,36	17,0	0,669	11/16"
MV16K-04-06	6	1/4"	04	9/16"-18	44,5	1,75	9,9	0,39	19,0	0,750	3/4"
MV16K-06-06	10	3/8"	06	9/16"-18	42,5	1,67	9,9	0,39	19,0	0,750	3/4"
MV10K-06-08	10	3/8"	06	3/4"-16	47,5	1,87	11,1	0,44	27,0	1,063	1.1/16"
MV10K-08-08	12	1/2"	08	3/4"-16	48,0	1,89	11,1	0,44	27,0	1,063	1.1/16"
MV10K-08-10	12	1/2"	08	7/8"-14	51,0	2,01	12,7	0,50	27,0	1,063	1.1/16"
MV10K-08-12	12	1/2"	08	1.1/16"-12	57,5	2,26	15,1	0,59	36,0	1,417	1.7/16"
MV10K-10-10	16	5/8"	10	7/8"-14	51,0	2,01	12,7	0,50	27,0	1,063	1.1/16"
MV10K-12-12	19	3/4"	12	1.1/16"-12	57,5	2,26	15,1	0,59	36,0	1,417	1.7/16"
MV10K-16-16	25	1"	16	1.5/16"-12	62,0	2,44	15,1	0,59	38,0	1,496	1.1/2"

Nut type



MV40K MV46K

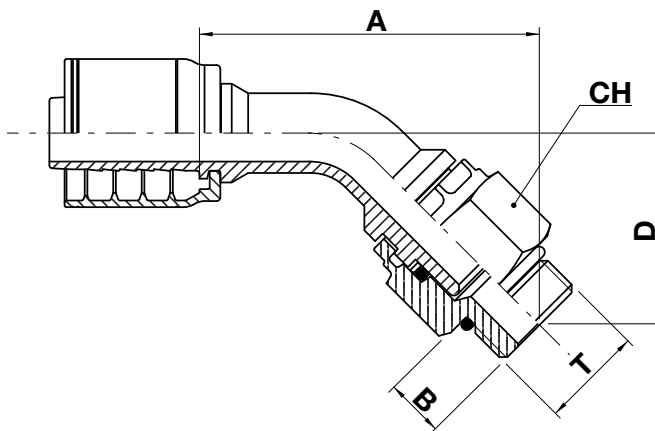
O-ring boss male swivel - 45° elbow

NO SKIVE

SAE J1926

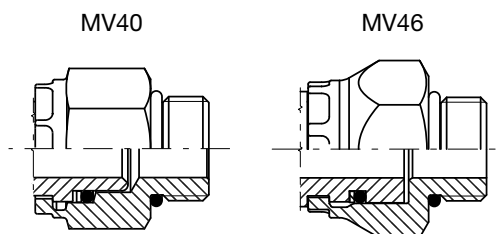
FITTING

- NPTF-NPSM
- JIC
- ORFS
- SAE**
- GREASE
- JIS
- BSP-BSPT
- METRIC
- SAE 3000 CODE 61
- STAPLE LOCK



code	ø hose			T	A		B		D		CH		
	dn	inch	size		mm	in	mm	in	mm	in	mm	in	↻ in
MV40K-04-04	6	1/4"	04	7/16"-20	58,5	2,30	9,1	0,36	27,5	1,08	17,0	0,67	11/16"
MV46K-04-06	6	1/4"	04	9/16"-18	65,8	2,59	9,9	0,39	35,2	1,38	19,0	0,750	3/4"
MV46K-06-06	10	3/8"	06	9/16"-18	72,5	2,85	9,9	0,39	35,2	1,38	19,0	0,750	3/4"
MV40K-06-08	10	3/8"	06	3/4"-16	73,0	2,87	11,1	0,44	38,5	1,52	27,0	1,06	1.1/16"
MV40K-06-10	10	3/8"	06	7/8"-14	74,0	2,91	12,7	0,50	39,5	1,56	27,0	1,06	1.1/16"
MV40K-08-08	12	1/2"	08	3/4"-16	81,8	3,22	11,1	0,44	40,7	1,60	27,0	1,06	1.1/16"
MV40K-08-10	12	1/2"	08	7/8"-14	83,0	3,27	12,7	0,50	42,0	1,65	27,0	1,06	1.1/16"
MV40K-08-12	12	1/2"	08	1.1/16"-12	103,0	4,06	15,1	0,59	51,7	2,04	36,0	1,42	1.7/16"
MV40K-12-12	19	3/4"	12	1.1/16"-12	117,0	4,61	15,1	0,59	49,0	1,93	36,0	1,42	1.7/16"
MV40K-16-16	25	1"	16	1.5/16"-12	93,4	3,68	15,1	0,59	43,6	1,72	38,0	1,496	1.1/2"

Nut type



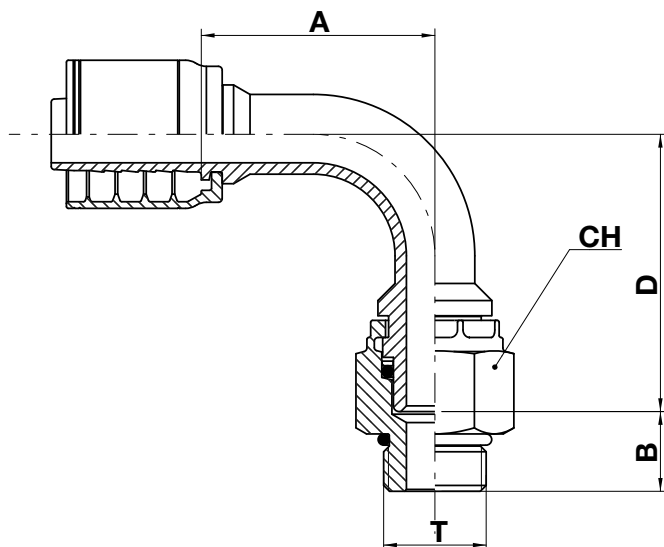
MV90K MV96K

K

O-ring boss male swivel - 90° elbow

NO SKIVE

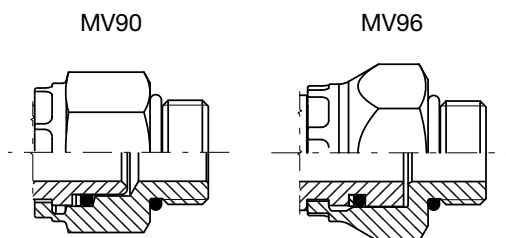
SAE J1926



-
- FITTING**
- NPTF-NPSM
 - JIC
 - ORFS
 - SAE**
 - GREASE
 - JIS
 - BSP-BSPT
 - METRIC
 - SAE 3000 CODE 61
 - STAPLE LOCK

code	ø hose			T	A		B		D		CH		
	dn	inch	size		mm	in	mm	in	mm	in	mm	in	↗ in
MV90K-04-04	6	1/4"	04	7/16"-20	28,0	1,10	9,1	0,36	38,5	1,52	17,0	0,669	11/16"
MV96K-04-06	6	1/4"	04	9/16"-18	28,0	1,10	9,9	0,39	48,3	1,90	19,0	0,750	3/4"
MV96K-06-06	10	3/8"	06	9/16"-18	34,5	1,36	9,9	0,39	49,8	1,96	19,0	0,750	3/4"
MV90K-06-08	10	3/8"	06	3/4"-16	31,5	1,24	11,1	0,44	52,0	2,05	27,0	1,063	1.1/16"
MV90K-06-10	10	3/8"	06	7/8"-14	31,5	1,24	12,7	0,50	52,0	2,05	27,0	1,063	1.1/16"
MV90K-08-08	12	1/2"	08	3/4"-16	37,5	1,48	11,1	0,44	57,0	2,24	27,0	1,063	1.1/16"
MV90K-08-10	12	1/2"	08	7/8"-14	37,5	1,48	12,7	0,50	57,0	2,24	27,0	1,063	1.1/16"
MV90K-08-12	12	1/2"	08	1.1/16"-12	46,5	1,83	15,1	0,59	72,0	2,83	36,0	1,417	1.7/16"
MV90K-12-12	19	3/4"	12	1.1/16"-12	61,5	2,42	15,1	0,59	73,0	2,88	36,0	1,417	1.7/16"
MV90K-16-16	25	1"	16	1.5/16"-12	72,0	2,83	15,1	0,59	84,5	3,33	38,0	1,496	1.1/2"

Nut type

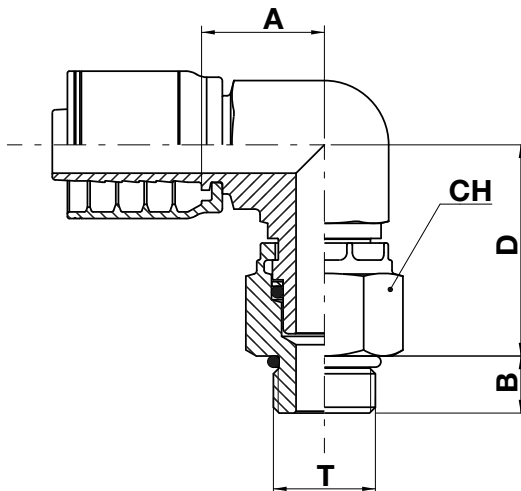


KV91K KV96K

O-ring boss male swivel - 90° elbow (compact forged)

NO SKIVE

SAE J1926

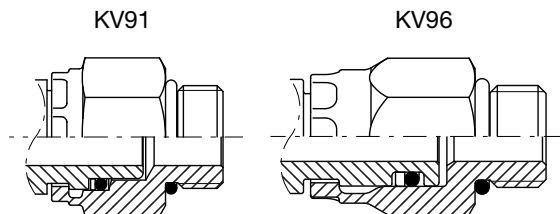


FITTING

- NPTF-NPSM
- JIC
- ORFS
- SAE**
- GREASE
- JIS
- BSP-BSPT
- METRIC
- SAE 3000 CODE 61
- STAPLE LOCK

code	ø hose			T	A		B		D		CH		
	dn	inch	size		mm	in	mm	in	mm	in	mm	in	↻ in
KV91K-04-04	6	1/4"	04	7/16"-20	18,5	0,73	9,2	0,36	32,8	1,29	17,0	0,669	11/16"
KV96K-04-06	6	1/4"	04	9/16"-18	19,5	0,77	10,0	0,39	39,0	1,54	19,0	0,748	3/4"
KV96K-06-06	10	3/8"	06	9/16"-18	21,5	0,85	10,0	0,39	42,0	1,65	19,0	0,748	3/4"
KV91K-06-08	10	3/8"	06	3/4"-16	25,0	0,98	11,1	0,44	47,4	1,87	27,0	1,063	1.1/16"
KV91K-06-10	10	3/8"	06	7/8"-14	25,0	0,98	12,7	0,50	48,8	1,92	27,0	1,063	1.1/16"
KV91K-08-08	12	1/2"	08	3/4"-16	26,5	1,04	11,1	0,44	47,4	1,87	27,0	1,063	1.1/16"
KV91K-08-10	12	1/2"	08	7/8"-14	26,5	1,04	12,7	0,50	48,8	1,92	27,0	1,063	1.1/16"
KV91K-12-12	19	3/4"	12	1.1/16"-12	32,5	1,28	15,1	0,59	55,9	2,20	36,0	1,417	1.7/16"
KV91K-16-16	25	1"	16	1.5/16"-12	34,0	1,34	15,1	0,59	52,5	2,07	38,0	1,496	1.1/2"

Nut type

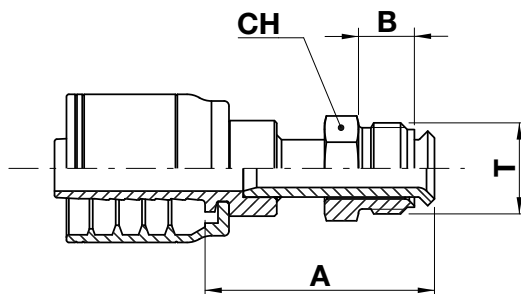


MZ10K

SAE inverted flare male swivel

NO SKIVE

SAE J512



-
- FITTING**
- NPTF-NPSM
 - JIC
 - ORFS
 - SAE**
 - GREASE
 - JIS
 - BSP-BSPT
 - METRIC
 - SAE 3000 CODE 61
 - STAPLE LOCK

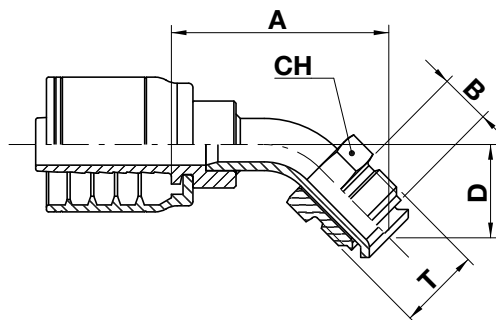
code	ø hose			T	A		B		CH		
	dn	inch	size		mm	in	mm	in	mm	in	in
MZ10K-04-04	6	1/4"	04	7/16"-24	48,0	1,89	9,1	0,36	11,0	0,433	7/16"
MZ10K-04-05	6	1/4"	04	1/2"-20	48,0	1,89	10,2	0,40	16,0	0,630	5/8"
MZ10K-06-05	10	3/8"	06	1/2"-20	48,0	1,89	10,2	0,40	16,0	0,630	5/8"
MZ10K-06-06	10	3/8"	06	5/8"-18	48,0	1,89	10,2	0,40	16,0	0,630	5/8"
MZ10K-08-08	12	1/2"	08	3/4"-18	48,0	1,89	11,7	0,46	19,0	0,748	3/4"

MZ40K

SAE inverted flare male swivel - 45° elbow

NO SKIVE

SAE J512



FITTING

NPTF-NPSM

JIC

ORFS

SAE

GREASE

JIS

BSP-BSPT

METRIC

SAE 3000 CODE 61

STAPLE LOCK

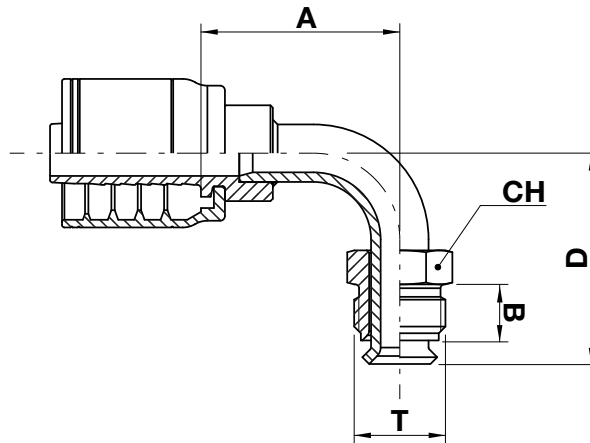
code	ø hose			T	A		B		D		CH		
	dn	inch	size		mm	in	mm	in	mm	in	mm	in	↻ in
MZ40K-04-04	6	1/4"	04	7/16"-24	40,1	1,58	9,1	0,36	14,7	0,58	11,0	0,433	7/16"
MZ40K-04-05	6	1/4"	04	1/2"-20	44,0	1,73	10,2	0,40	18,0	0,71	16,0	0,630	5/8"
MZ40K-06-05	10	3/8"	06	1/2"-20	44,0	1,73	10,2	0,40	18,0	0,71	16,0	0,630	5/8"
MZ40K-06-06	10	3/8"	06	5/8"-18	47,5	1,87	10,2	0,40	19,0	0,75	16,0	0,630	5/8"
MZ40K-08-08	12	1/2"	08	3/4"-18	50,5	1,99	11,7	0,46	21,5	0,85	19,0	0,748	3/4"

MZ90K

SAE inverted flare male swivel - 90° elbow

NO SKIVE

SAE J512



- FITTING**
- NPTF-NPSM
 - JIC
 - ORFS
 - SAE**
 - GREASE
 - JIS
 - BSP-BSPT
 - METRIC
 - SAE 3000 CODE 61
 - STAPLE LOCK

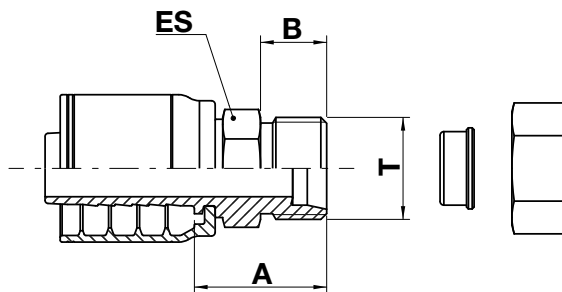
code	ø hose			T	A		B		D		CH		
	dn	inch	size		mm	in	mm	in	mm	in	mm	in	in
MZ90K-04-04	6	1/4"	04	7/16"-24	30,0	1,18	9,1	0,36	26,0	1,02	11,0	0,433	7/16"
MZ90K-04-05	6	1/4"	04	1/2"-20	31,0	1,22	10,2	0,40	32,0	1,26	16,0	0,630	5/8"
MZ90K-06-05	10	3/8"	06	1/2"-20	31,0	1,22	10,2	0,40	32,0	1,26	16,0	0,630	5/8"
MZ90K-06-06	10	3/8"	06	5/8"-18	36,0	1,42	10,2	0,40	35,0	1,38	16,0	0,630	5/8"
MZ90K-08-08	12	1/2"	08	3/4"-18	41,5	1,63	11,7	0,46	44,0	1,73	19,0	0,748	3/4"

MFA10K

SAE flareless male assembly

NO SKIVE

SAE J514



FITTING

NPTF-NPSM

JIC

ORFS

SAE

GREASE

JIS

BSP-BSPT

METRIC

SAE 3000 CODE 61

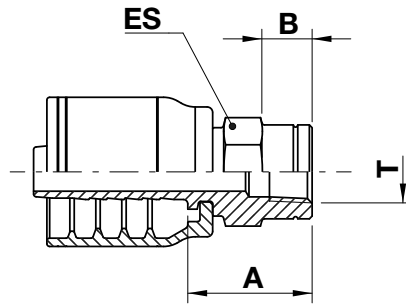
STAPLE LOCK

code	ø hose			T	A		B		ES		
	dn	inch	size		mm	in	mm	in	mm	in	↻ in
MFA10K-04-04	6	1/4"	04	7/16"-20	24,0	0,94	11,5	0,45	14,0	0,551	9/16"
MFA10K-04-05	6	1/4"	04	1/2"-20	25,0	0,98	11,5	0,45	17,0	0,669	11/16"
MFA10K-06-05	10	3/8"	06	1/2"-20	25,0	0,98	11,5	0,45	17,0	0,669	11/16"
MFA10K-06-06	10	3/8"	06	9/16"-18	25,5	1,00	11,9	0,47	17,0	0,669	11/16"
MFA10K-06-08	10	3/8"	06	3/4"-16	27,8	1,09	14,3	0,56	19,0	0,748	3/4"
MFA10K-08-08	12	1/2"	08	3/4"-16	28,5	1,12	14,3	0,56	19,0	0,748	3/4"
MFA10K-08-10	12	1/2"	08	7/8"-14	32,0	1,26	15,9	0,63	24,0	0,945	15/16"
MFA10K-10-10	16	5/8"	10	7/8"-14	32,0	1,26	15,9	0,63	24,0	0,945	15/16"
MFA10K-12-12	19	3/4"	12	1.1/16"-12	35,0	1,38	17,5	0,69	27,0	1,063	1.1/16"
MFA10K-12-16	19	3/4"	12	1.1/16"-12	40,0	1,57	17,5	0,69	36,0	1,417	1.7/16"
MFA10K-16-16	25	1"	16	1.5/16"-12	41,5	1,63	17,5	0,69	36,0	1,417	1.7/16"

FGR10K

Female grease

NO SKIVE



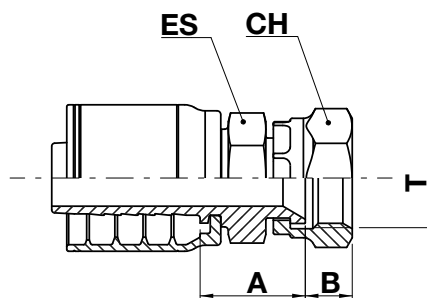
-
- FITTING**
- NPTF-NPSM
 - JIC
 - ORFS
 - SAE
 - GREASE**
 - JIS
 - BSP-BSPT
 - METRIC
 - SAE 3000 CODE 61
 - STAPLE LOCK

code	ø hose			T	A		B		ES		
	dn	inch	size		mm	in	mm	in	mm	in	 in
FGR10K-04-08	6	1/4"	04	1/2"-27	22,5	0,89	7,70	0,30	17,0	0,669	11/16"
FGR10K-06-08	10	3/8"	06	1/2"-27	22,5	0,89	7,70	0,30	17,0	0,669	11/16"

FT11K

Japanese "T" style termination female swivel 60° cone

NO SKIVE



FITTING

NPTF-NPSM

JIC

ORFS

SAE

GREASE

JIS

BSP-BSPT

METRIC

SAE 3000 CODE 61

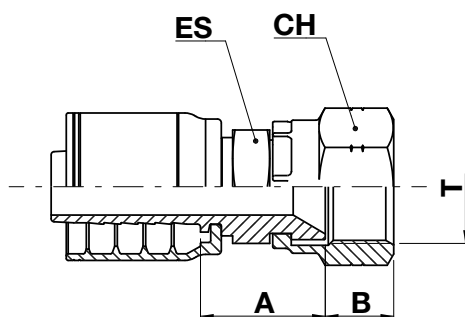
STAPLE LOCK

code	ø hose			T	A		B		ES			CH		
	dn	inch	size		mm	in	mm	in	mm	in	↻ in	mm	in	↻ in
FT11K-04-04	6	1/4"	04	1/4"-19	21,0	0,83	8,0	0,31	19,0	0,748	3/4"	19,0	0,748	3/4"
FT11K-06-06	10	3/8"	06	3/8"-19	22,0	0,87	9,5	0,37	19,0	0,748	3/4"	22,0	0,866	7/8"
FT11K-08-08	12	1/2"	08	1/2"-14	25,0	0,98	11,0	0,43	22,0	0,866	7/8"	27,0	1,063	1.1/16"
FT11K-12-12	19	3/4"	12	3/4"-14	28,0	1,10	12,5	0,49	30,0	1,181	1.3/16"	32,0	1,260	1.1/4"
FT11K-16-16	25	1"	16	1"-11	33,0	1,30	14,0	0,55	32,0	1,260	1.1/4"	38,0	1,496	1.1/2"

FK11K

Japanese "KOM" style termination female swivel 60° cone

NO SKIVE



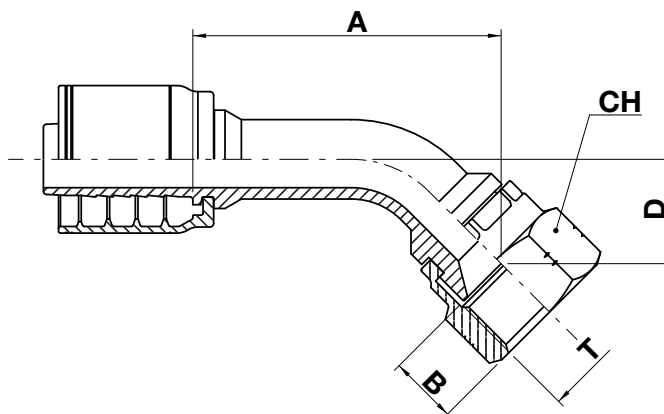
FITTING
 NPTF-NPSM
 JIC
 ORFS
 SAE
 GREASE
JIS
 BSP-BSPT
 METRIC
 SAE 3000 CODE 61
 STAPLE LOCK

code	ø hose			T	A		B		ES			CH		
	dn	inch	size		mm	in	mm	in	mm	in	↻ in	mm	in	↻ in
FK11K-04-12	6	1/4"	04	M12X1,5	23,0	0,91	8,7	0,34	14,0	0,551	9/16"	17,0	0,669	11/16"
FK11K-04-14	6	1/4"	04	M14X1,5	24,0	0,94	10,0	0,39	19,0	0,748	3/4"	19,0	0,748	3/4"
FK11K-06-14	10	3/8"	06	M14X1,5	25,0	0,98	10,0	0,39	19,0	0,748	3/4"	19,0	0,748	3/4"
FK11K-06-16	10	3/8"	06	M16X1,5	23,0	0,91	9,3	0,37	19,0	0,748	3/4"	22,0	0,866	7/8"
FK11K-06-18	10	3/8"	06	M18X1,5	24,0	0,94	11,5	0,45	19,0	0,748	3/4"	24,0	0,945	15/16"
FK11K-06-20	10	3/8"	06	M20X1,5	25,5	1,00	11,2	0,44	19,0	0,748	3/4"	27,0	1,063	1,1/16"
FK11K-06-22	10	3/8"	06	M22X1,5	25,5	1,00	14,0	0,55	19,0	0,748	3/4"	27,0	1,063	1,1/16"
FK11K-08-22	12	1/2"	08	M22X1,5	27,0	1,06	14,0	0,55	22,0	0,866	7/8"	27,0	1,063	1,1/16"
FK11K-08-24	12	1/2"	08	M24X1,5	28,5	1,12	15,1	0,59	24,0	0,945	15/16"	32,0	1,260	1,1/4"
FK11K-10-24	16	5/8"	10	M24X1,5	28,5	1,12	15,1	0,59	24,0	0,945	15/16"	32,0	1,260	1,1/4"
FK11K-12-24	19	3/4"	12	M24X1,5	29,9	1,18	15,1	0,59	27,0	1,063	1,1/16"	32,0	1,260	1,1/4"
FK11K-12-30	19	3/4"	12	M30X1,5	33,0	1,30	18,3	0,72	30,0	1,181	1.3/16"	36,0	1,417	1,7/16"
FK11K-12-33	19	3/4"	12	M33X1,5	32,0	1,26	21,3	0,84	32,0	1,260	1.1/4"	41,0	1,614	1,5/8"
FK11K-16-33	25	1"	16	M33X1,5	34,7	1,37	21,3	0,84	32,0	1,260	1.1/4"	41,0	1,614	1,5/8"
FK11K-16-36	25	1"	16	M36X1,5	36,0	1,42	16,0	0,63	41,0	1,614	1.5/8"	46,0	1,811	1,13/16"

FK41K

Japanese "KOM" style termination female swivel 60° cone - 45° elbow

NO SKIVE

**FITTING**

NPTF-NPSM

JIC

ORFS

SAE

GREASE

JIS

BSP-BSPT

METRIC

SAE 3000 CODE 61

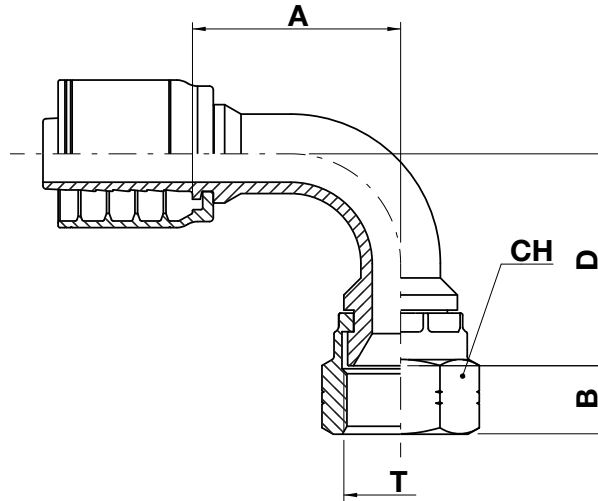
STAPLE LOCK

code	ø hose			T	A		B		D		CH		
	dn	inch	size		mm	in	mm	in	mm	in	mm	in	↻ in
FK41K-04-14	6	1/4"	04	M14X1,5	42,5	1,67	10,0	0,39	16,1	0,63	19,0	0,748	3/4"
FK41K-06-18	10	3/8"	06	M18X1,5	51,5	2,03	11,5	0,45	19,5	0,77	24,0	0,945	15/16"
FK41K-08-22	12	1/2"	08	M22X1,5	54,0	2,13	14,0	0,55	20,0	0,79	27,0	1,063	1.1/16"
FK41K-10-24	16	5/8"	10	M24X1,5	70,5	2,78	15,1	0,59	27,0	1,06	32,0	1,260	1.1/4"
FK41K-12-30	19	3/4"	12	M30X1,5	81,5	3,21	18,3	0,72	27,6	1,09	36,0	1,417	1.7/16"
FK41K-16-36	25	1"	16	M36X1,5	84,5	3,33	16,0	0,63	32,5	1,28	46,0	1,811	1,13/16"

FK91K

Japanese "KOM" style termination female swivel 60° cone - 90° elbow

NO SKIVE



- FITTING**
- NPTF-NPSM
 - JIC
 - ORFS
 - SAE
 - GREASE
 - JIS**
 - BSP-BSPT
 - METRIC
 - SAE 3000 CODE 61
 - STAPLE LOCK

code	ø hose			T	A		B		D		CH		
	dn	inch	size		mm	in	mm	in	mm	in	mm	in	in
FK91K-04-14	6	1/4"	04	M14X1,5	29,0	1,14	10,0	0,39	31,5	1,24	19,0	0,748	3/4"
FK91K-06-16	10	3/8"	06	M16X1,5	36,0	1,42	9,3	0,37	31,5	1,24	22,0	0,866	7/8"
FK91K-06-18	10	3/8"	06	M18X1,5	35,5	1,40	11,5	0,45	38,0	1,50	24,0	0,945	15/16"
FK91K-08-22	12	1/2"	08	M22X1,5	47,5	1,87	14,0	0,55	43,0	1,69	27,0	1,063	1.1/16"
FK91K-10-24	16	5/8"	10	M24X1,5	55,5	2,19	15,1	0,59	55,0	2,17	32,0	1,260	1,1/4"
FK91K-12-30	19	3/4"	12	M30X1,5	55,0	2,17	18,3	0,72	56,0	2,20	36,0	1,417	1.7/16"
FK91K-16-36	25	1"	16	M36X1,5	74,0	2,91	16,0	0,63	68,0	2,68	46,0	1,811	1,13/16"

For wire braid hoses

AK10K

Japanese "KOM" style termination straight flange (for metric O-ring)

NO SKIVE

FITTING

NPTF-NPSM

JIC

ORFS

SAE

GREASE

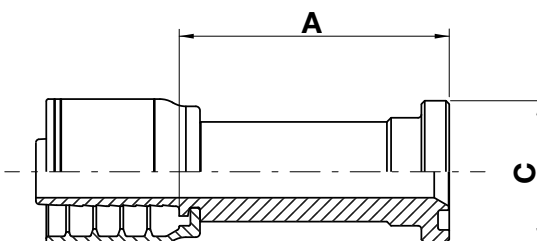
JIS

BSP-BSPT

METRIC

SAE 3000 CODE 61

STAPLE LOCK



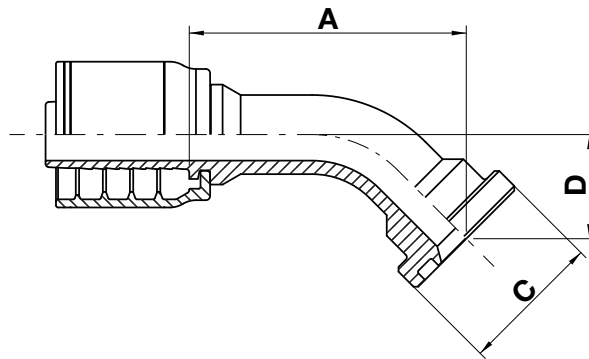
code	ø hose			flange	A		C	
	dn	inch	size		mm	in	mm	in
AK10K-10-10	16	5/8"	10	5/8"	65,0	2,56	34,2	1,35

For wire braid hoses

AK40K

Japanese "KOM" style termination - 45° elbow flange (for metric O-ring)

NO SKIVE



-
- FITTING**
- NPTF-NPSM
 - JIC
 - ORFS
 - SAE
 - GREASE
 - JIS**
 - BSP-BSPT
 - METRIC
 - SAE 3000 CODE 61
 - STAPLE LOCK

code	ø hose			flange	A		C		D	
	dn	inch	size		mm	in	mm	in	mm	in
AK40K-10-10	16	5/8"	10	5/8"	66,5	2,62	34,2	1,35	25,0	0,98

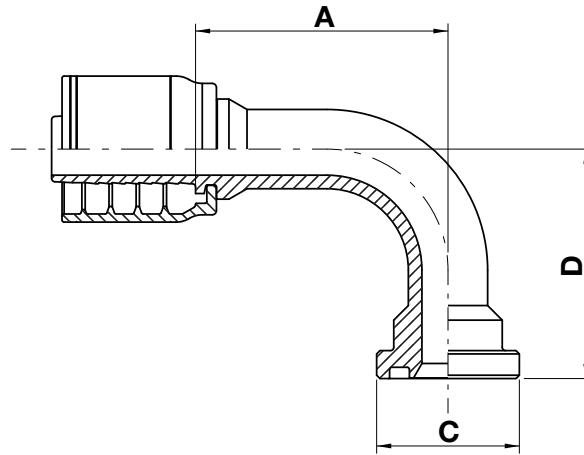
K

For wire braid hoses

AK90K

Japanese "KOM" style termination - 90° elbow flange (for metric O-ring)

NO SKIVE

**FITTING**

NPTF-NPSM

JIC

ORFS

SAE

GREASE

JIS

BSP-BSPT

METRIC

SAE 3000 CODE 61

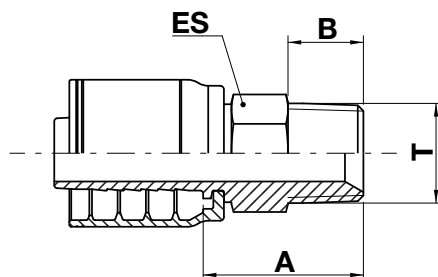
STAPLE LOCK

code	ø hose			flange	A		C		D	
	dn	inch	size		mm	in	mm	in	mm	in
AK90K-10-10	16	5/8"	10	5/8"	60,5	2,38	34,2	1,35	55,0	2,17

MT10K

BSPT tapered male 60° cone

NO SKIVE

**K****FITTING**

NPTF-NPSM
 JIC
 ORFS
 SAE
 GREASE
 JIS
BSP-BSPT
 METRIC
 SAE 3000 CODE 61
 STAPLE LOCK

code	ø hose			T	A		B		ES		
	dn	inch	size		mm	in	mm	in	mm	in	in
MT10K-04-02	6	1/4"	04	1/8"-28	24,5	0,89	12,0	0,47	12,0	0,472	1/2"
MT10K-04-04	6	1/4"	04	1/4"-19	26,5	1,04	14,0	0,55	14,0	0,551	9/16"
MT10K-04-06	6	1/4"	04	3/8"-19	29,0	1,14	15,0	0,59	19,0	0,748	3/4"
MT10K-05-06	8	5/16"	05	3/8"-19	29,0	1,14	15,0	0,59	19,0	0,748	3/4"
MT10K-06-04	10	3/8"	06	1/4"-19	24,5	0,96	14,0	0,55	14,0	0,551	9/16"
MT10K-06-06	10	3/8"	06	3/8"-19	29,0	1,14	15,0	0,59	19,0	0,748	3/4"
MT10K-06-08	10	3/8"	06	1/2"-14	32,0	1,26	18,0	0,71	22,0	0,866	7/8"
MT10K-08-06	12	1/2"	08	3/8"-19	27,5	1,08	15,0	0,59	19,0	0,748	3/4"
MT10K-08-08	12	1/2"	08	1/2"-14	32,5	1,28	18,0	0,71	22,0	0,866	7/8"
MT10K-08-12	12	1/2"	08	3/4"-14	37,0	1,46	20,0	0,79	27,0	1,063	1.1/16"
MT10K-10-10	16	5/8"	10	5/8"-14	36,0	1,42	19,0	0,75	24,0	0,945	15/16"
MT10K-10-12	16	5/8"	10	3/4"-14	42,0	1,65	20,0	0,79	27,0	1,063	1.1/16"
MT10K-12-12	19	3/4"	12	3/4"-14	42,5	1,67	20,0	0,79	27,0	1,063	1.1/16"
MT10K-16-16	25	1"	16	1"-11	47,0	1,85	23,0	0,91	36,0	1,417	1.7/16"

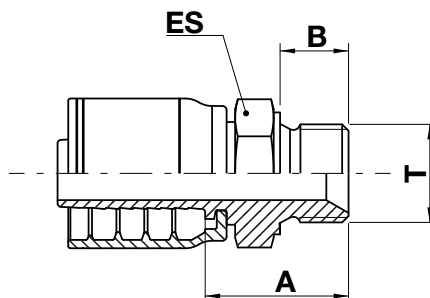
MB10K



BSP male 60° cone

NO SKIVE

ISO 8434-6 / BS 5200



FITTING

- NPTF-NPSM
- JIC
- ORFS
- SAE
- GREASE
- JIS
- BSP-BSPT**
- METRIC
- SAE 3000 CODE 61
- STAPLE LOCK


code	ø hose			T	A		B		ES		
	dn	inch	size		mm	in	mm	in	mm	in	↻ in
MB10K-04-02	6	1/4"	04	1/8"-28	22,0	0,87	8,0	0,31	14,0	0,551	9/16"
MB10K-04-04	6	1/4"	04	1/4"-19	26,5	1,04	11,0	0,43	19,0	0,748	3/4"
MB10K-04-06	6	1/4"	04	3/8"-19	28,0	1,10	12,0	0,47	22,0	0,866	7/8"
MB10K-04-08	6	1/4"	04	1/2"-14	35,5	1,40	14,0	0,55	27,0	1,063	1.1/16"
MB10K-05-04	8	5/16"	05	1/4"-19	26,0	1,02	11,0	0,43	19,0	0,748	3/4"
MB10K-05-06	8	5/16"	05	3/8"-19	28,5	1,12	12,0	0,47	22,0	0,866	7/8"
MB10K-05-08	8	5/16"	05	1/2"-14	33,0	1,30	14,0	0,55	27,0	1,063	1.1/16"
MB10K-06-04	10	3/8"	06	1/4"-19	26,5	1,04	11,0	0,43	19,0	0,748	3/4"
MB10K-06-06	10	3/8"	06	3/8"-19	28,5	1,12	12,0	0,47	22,0	0,866	7/8"
MB10K-06-08	10	3/8"	06	1/2"-14	33,5	1,32	14,0	0,55	27,0	1,063	1.1/16"
MB10K-08-06	12	1/2"	08	3/8"-19	29,0	1,14	12,0	0,47	22,0	0,866	7/8"
MB10K-08-08	12	1/2"	08	1/2"-14	34,0	1,34	14,0	0,55	27,0	1,063	1.1/16"
MB10K-08-10	12	1/2"	08	5/8"-14	36,5	1,44	16,0	0,63	30,0	1,181	1.3/16"
MB10K-08-12	12	1/2"	08	3/4"-14	39,0	1,54	16,0	0,63	32,0	1,260	1.1/4"
MB10K-10-08	16	5/8"	10	1/2"-14	33,0	1,30	14,0	0,55	27,0	1,063	1.1/16"
MB10K-10-10	16	5/8"	10	5/8"-14	33,5	1,32	16,0	0,63	30,0	1,181	1.3/16"
MB10K-10-12	16	5/8"	10	3/4"-14	36,0	1,42	16,0	0,63	32,0	1,260	1.1/4"
MB10K-12-08	19	3/4"	12	1/2"-14	34,5	1,36	14,0	0,55	27,0	1,063	1.1/16"
MB10K-12-12	19	3/4"	12	3/4"-14	36,5	1,44	16,0	0,63	32,0	1,260	1.1/4"



For wire braid hoses

← MB10K

K

code	ø hose			T	A		B		ES		
	dn	inch	size		mm	in	mm	in	mm	in	 in
MB10K-12-16	19	3/4"	12	1"-11	40,5	1,59	19,0	0,75	41,0	1,614	1.5/8"
MB10K-16-16	25	1"	16	1"-11	42,0	1,65	19,0	0,75	41,0	1,614	1.5/8"
MB10K-16-20	25	1"	16	1.1/4"-11	47,0	1,85	20,0	0,79	50,0	1,969	2"

FITTING

NPTF-NPSM

JIC

ORFS

SAE

GREASE

JIS

BSP-BSPT

METRIC

SAE 3000 CODE 61

STAPLE LOCK



FB13K FB11K FB12K**BSP female swivel 60° cone**

NO SKIVE

ISO 8434-6 / BS 5200

FITTING

NPTF-NPSM

JIC

ORFS

SAE

GREASE

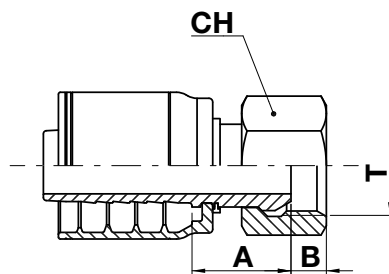
JIS

BSP-BSPT

METRIC

SAE 3000 CODE 61

STAPLE LOCK



code	ø hose			T	A		B		CH		
	dn	inch	size		mm	in	mm	in	mm	in	↻ in
FB11K-04-02	6	1/4"	04	1/8"-28	15,0	0,59	5,5	0,22	14,0	0,551	9/16"
FB13K-04-04	6	1/4"	04	1/4"-19	17,5	0,69	4,2	0,17	19,0	0,748	3/4"
FB13K-04-06	6	1/4"	04	3/8"-19	18,5	0,73	6,0	0,24	22,0	0,866	7/8"
FB11K-05-04	8	5/16"	05	1/4"-19	17,8	0,70	4,2	0,17	19,0	0,748	3/4"
FB13K-05-06	8	5/16"	05	3/8"-19	18,5	0,73	6,0	0,24	22,0	0,866	7/8"
FB11K-05-08	8	5/16"	05	1/2"-14	21,5	0,85	7,0	0,28	27,0	1,063	1.1/16"
FB11K-06-04	10	3/8"	06	1/4"-19	17,5	0,69	4,2	0,17	19,0	0,748	3/4"
FB13K-06-06	10	3/8"	06	3/8"-19	18,5	0,73	6,0	0,24	22,0	0,866	7/8"
FB13K-06-08	10	3/8"	06	1/2"-14	20,5	0,81	6,5	0,26	27,0	1,063	1.1/16"
FB11K-08-06	12	1/2"	08	3/8"-19	19,0	0,75	6,0	0,24	22,0	0,866	7/8"
FB13K-08-08	12	1/2"	08	1/2"-14	21,0	0,83	6,5	0,26	27,0	1,063	1.1/16"
FB11K-08-10	12	1/2"	08	5/8"-14	18,0	0,71	9,5	0,37	27,0	1,063	1.1/16"
FB11K-08-12	12	1/2"	08	3/4"-14	23,0	0,91	8,7	0,34	32,0	1,260	1.1/4"
FB11K-10-10	16	5/8"	10	5/8"-14	18,0	0,71	9,5	0,37	27,0	1,063	1.1/16"
FB11K-10-12	16	5/8"	10	3/4"-14	21,3	0,84	8,7	0,34	32,0	1,260	1.1/4"
FB11K-12-12	19	3/4"	12	3/4"-14	21,8	0,86	8,7	0,34	32,0	1,260	1.1/4"
FB12K-12-16	19	3/4"	12	1"-11	27,0	1,06	10,5	0,41	38,0	1,496	1.1/2"
FB12K-16-16	25	1"	16	1"-11	28,5	1,12	10,5	0,41	38,0	1,496	1.1/2"
FB12K-16-20	25	1"	16	1.1/4"-11	37,0	1,46	10,0	0,39	50,0	1,969	2"

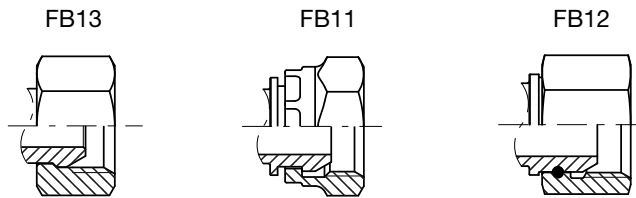


For wire braid hoses



← **FB13K FB11K FB12K**

Nut type



.....
FITTING

NPTF-NPSM

JIC

ORFS

SAE

GREASE

JIS

BSP-BSPT

METRIC

SAE 3000 CODE 61

STAPLE LOCK

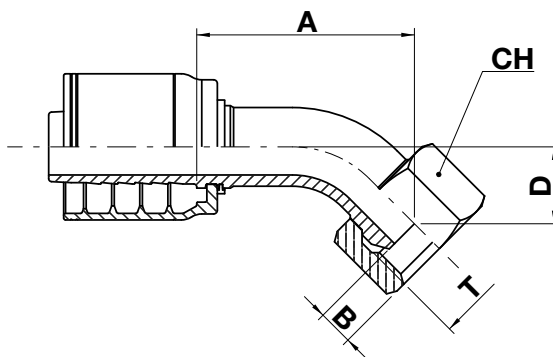


FB43K FB41K FB42K

BSP female swivel 60° cone - 45° elbow

NO SKIVE

ISO 8434-6 / BS 5200



FITTING

NPTF-NPSM

JIC

ORFS

SAE

GREASE

JIS

BSP-BSPT

METRIC

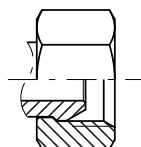
SAE 3000 CODE 61

STAPLE LOCK

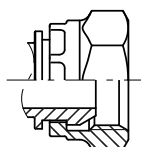
code	ø hose			T	A		B		D		CH		
	dn	inch	size		mm	in	mm	in	mm	in	mm	in	↗ in
FB43K-04-04	6	1/4"	04	1/4"-19	32,5	1,28	4,2	0,17	13,0	0,51	19,0	0,748	3/4"
FB43K-04-06	6	1/4"	04	3/8"-19	34,2	1,34	6,0	0,24	14,4	0,57	22,0	0,866	7/8"
FB41K-05-06	8	5/16"	05	3/8"-19	42,5	1,67	6,0	0,24	19,0	0,75	22,0	0,866	7/8"
FB43K-05-06	8	5/16"	05	3/8"-19	38,0	1,49	6,0	0,24	15,0	0,59	22,0	0,866	7/8"
FB43K-06-06	10	3/8"	06	3/8"-19	37,6	1,48	6,0	0,24	14,6	0,58	22,0	0,866	7/8"
FB43K-06-08	10	3/8"	06	1/2"-14	38,6	1,52	6,5	0,26	15,8	0,62	27,0	1,063	1.1/16"
FB43K-08-08	12	1/2"	08	1/2"-14	48,0	1,89	6,5	0,26	18,0	0,71	27,0	1,063	1.1/16"
FB41K-10-10	16	5/8"	10	5/8"-14	60,5	2,38	9,5	0,37	23,3	0,92	30,0	1,181	1.3/16"
FB41K-10-12	16	5/8"	10	3/4"-14	64,0	2,52	8,7	0,34	26,9	1,06	32,0	1,260	1.1/4"
FB41K-12-12	19	3/4"	12	3/4"-14	67,4	2,66	8,7	0,34	26,9	1,06	32,0	1,260	1.1/4"
FB42K-16-16	25	1"	16	1"-11	83,6	3,29	10,5	0,41	33,8	1,33	38,0	1,496	1.1/2"

Nut type

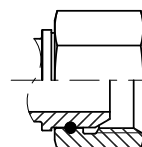
FB43



FB41



FB42

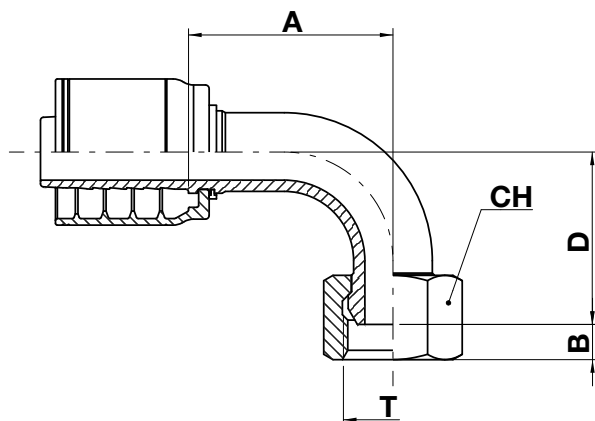


FB93K FB91K FB92K

BSP female swivel 60° cone - 90° elbow

NO SKIVE

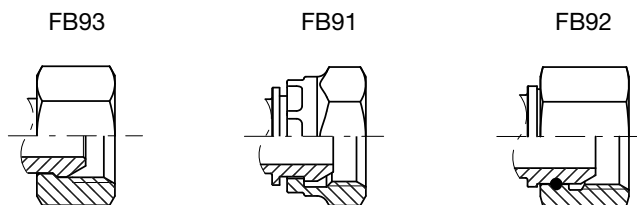
ISO 8434-6 / BS 5200



- FITTING**
- NPTF-NPSM
 - JIC
 - ORFS
 - SAE
 - GREASE
 - JIS
 - BSP-BSPT**
 - METRIC
 - SAE 3000 CODE 61
 - STAPLE LOCK

code	ø hose			T	A		B		D		CH		
	dn	inch	size		mm	in	mm	in	mm	in	mm	in	↗ in
FB93K-04-04	6	1/4"	04	1/4"-19	27,6	1,09	4,2	0,17	27,5	1,08	19,0	0,748	3/4"
FB93K-04-06	6	1/4"	04	3/8"-19	28,0	1,10	6,0	0,24	29,5	1,16	22,0	0,866	7/8"
FB93K-05-06	8	5/16"	05	3/8"-19	32,5	1,28	6,0	0,24	30,0	1,18	22,0	0,866	7/8"
FB93K-06-06	10	3/8"	06	3/8"-19	31,5	1,24	6,0	0,24	29,5	1,16	22,0	0,866	7/8"
FB93K-06-08	10	3/8"	06	1/2"-14	30,3	1,19	6,5	0,26	31,2	1,23	27,0	1,063	1.1/16"
FB93K-08-08	12	1/2"	08	1/2"-14	37,2	1,47	6,5	0,26	36,0	1,42	27,0	1,063	1.1/16"
FB91K-08-10	12	1/2"	08	5/8"-14	45,0	1,77	9,5	0,37	42,3	1,67	30,0	1,181	1.3/16"
FB91K-10-10	16	5/8"	10	5/8"-14	54,0	2,13	9,5	0,37	50,0	1,97	30,0	1,181	1.3/16"
FB91K-10-12	16	5/8"	10	3/4"-14	54,0	2,13	8,7	0,34	55,0	2,17	32,0	1,260	1.1/4"
FB91K-12-12	19	3/4"	12	3/4"-14	55,5	2,19	8,7	0,34	55,0	2,17	32,0	1,260	1.1/4"
FB92K-12-16	19	3/4"	12	1"-11	60,5	2,38	10,5	0,41	64,0	2,52	38,0	1,496	1.1/2"
FB92K-16-16	25	1"	16	1"-11	72,0	2,83	10,5	0,41	71,0	2,80	38,0	1,496	1.1/2"

Nut type

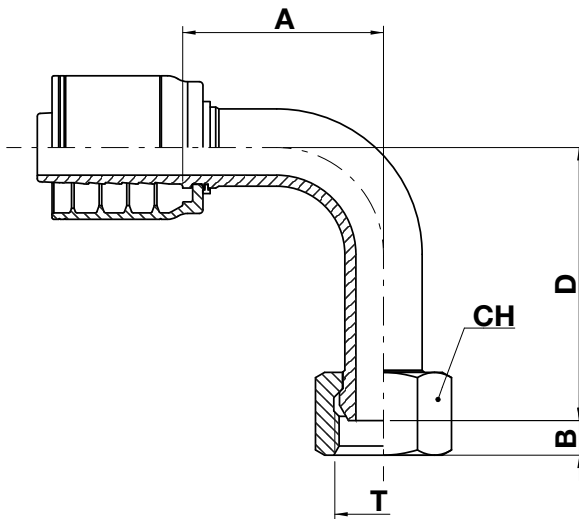


FB93K-L

BSP female swivel 60° cone - 90° elbow (long drop)

NO SKIVE

ISO 8434-6 / BS 5200



FITTING

- NPTF-NPSM
- JIC
- ORFS
- SAE
- GREASE
- JIS
- BSP-BSPT**
- METRIC
- SAE 3000 CODE 61
- STAPLE LOCK

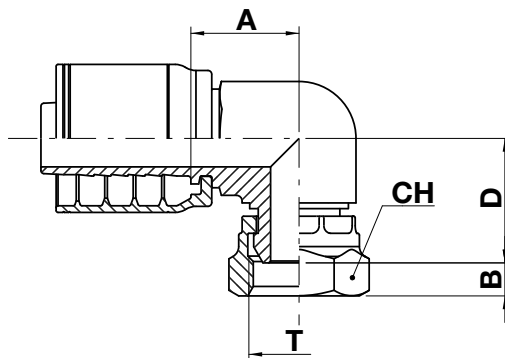
code	ø hose			T	A		B		D		CH		
	dn	inch	size		mm	in	mm	in	mm	in	mm	in	↗ in
FB93K-04-04-61	6	1/4"	04	1/4"-19	27,6	1,09	4,2	0,17	61,0	2,40	19,0	0,748	3/4"
FB93K-06-06-63	10	3/8"	06	3/8"-19	31,5	1,24	6,0	0,24	63,0	2,48	22,0	0,866	7/8"
FB93K-08-08-71	12	1/2"	08	1/2"-14	37,2	1,47	6,5	0,26	71,0	2,80	27,0	1,063	1.1/16"

KM91K

BSP female swivel 60° cone - 90° elbow (compact forged)

NO SKIVE

ISO 8434-6 / BS 5200



FITTING
 NPTF-NPSM
 JIC
 ORFS
 SAE
 GREASE
 JIS
BSP-BSPT
 METRIC
 SAE 3000 CODE 61
 STAPLE LOCK

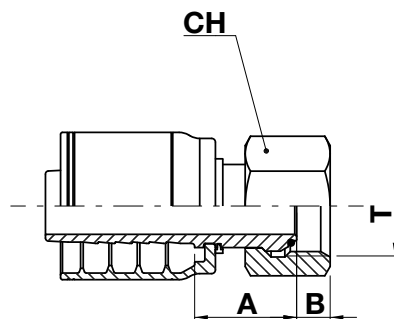
code	ø hose			T	A		B		D		CH		
	dn	inch	size		mm	in	mm	in	mm	in	mm	in	↻ in
KM91K-04-04	6	1/4"	04	1/4"-19	18,5	0,73	4,2	0,17	22,6	0,89	19,0	0,748	3/4"
KM91K-06-06	10	3/8"	06	3/8"-19	21,5	0,85	5,7	0,22	25,5	1,00	22,0	0,866	7/8"
KM91K-08-08	12	1/2"	08	1/2"-14	25,0	0,98	6,9	0,27	28,5	1,12	27,0	1,063	1.1/16"
KM91K-10-10	16	5/8"	10	5/8"-14	27,0	1,06	9,0	0,35	27,5	1,08	30,0	1,181	1.3/16"
KM91K-12-12	19	3/4"	12	3/4"-14	28,5	1,12	8,7	0,34	32,8	1,29	32,0	1,260	1.1/4"
KM91K-16-16	25	1"	16	1"-11	34,0	1,34	10,5	0,41	37,5	1,48	41,0	1,614	1.5/8"

FO13K FO12K

BSP O-ring female swivel 60° cone

NO SKIVE

ISO 8434-6 / BS 5200



FITTING

NPTF-NPSM

JIC

ORFS

SAE

GREASE

JIS

BSP-BSPT

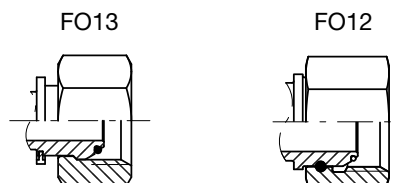
METRIC

SAE 3000 CODE 61

STAPLE LOCK

code	ø hose			T	A		B		CH		
	dn	inch	size		mm	in	mm	in	mm	in	in
FO13K-04-04	6	1/4"	04	1/4"-19	17,5	0,69	4,2	0,17	19,0	0,748	3/4"
FO13K-06-06	10	3/8"	06	3/8"-19	19,0	0,75	6,1	0,24	22,0	0,866	7/8"
FO13K-08-08	12	1/2"	08	1/2"-14	21,0	0,83	6,5	0,26	27,0	1,063	1.1/16"
FO12K-10-10	16	5/8"	10	5/8"-14	21,5	0,85	9,5	0,37	30,0	1,181	1.3/16"
FO12K-12-12	19	3/4"	12	3/4"-14	24,0	0,94	8,7	0,34	32,0	1,260	1.1/4"
FO12K-16-16	25	1"	16	1"-11	28,5	1,12	10,5	0,41	38,0	1,496	1.1/2"

Nut type



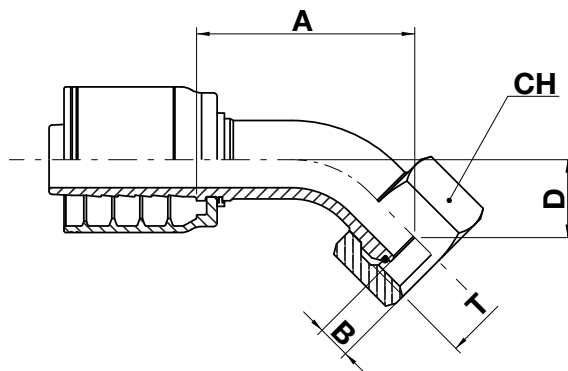
FO43K FO42K



BSP O-ring female swivel 60° cone - 45° elbow

NO SKIVE

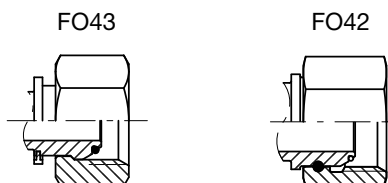
ISO 8434-6 / BS 5200



-
- FITTING**
- NPTF-NPSM
 - JIC
 - ORFS
 - SAE
 - GREASE
 - JIS
 - BSP-BSPT**
 - METRIC
 - SAE 3000 CODE 61
 - STAPLE LOCK

code	ø hose			T	A		B		D		CH		
	dn	inch	size		mm	in	mm	in	mm	in	mm	in	in
FO43K-04-04	6	1/4"	04	1/4"-19	32,5	1,28	4,2	0,17	13,0	0,51	19,0	0,748	3/4"
FO43K-06-06	10	3/8"	06	3/8"-19	37,7	1,48	6,1	0,24	15,0	0,59	22,0	0,866	7/8"
FO43K-08-08	12	1/2"	08	1/2"-14	46,0	1,81	6,5	0,26	18,0	0,71	27,0	1,063	1.1/16"
FO42K-10-10	16	5/8"	10	5/8"-14	63,0	2,48	9,5	0,37	26,0	1,02	30,0	1,181	1.3/16"
FO42K-12-12	19	3/4"	12	3/4"-14	68,9	2,71	8,7	0,34	28,3	1,11	32,0	1,260	1.1/4"
FO42K-16-16	25	1"	16	1"-11	83,6	3,29	10,5	0,41	33,8	1,33	38,0	1,496	1.1/2"

Nut type

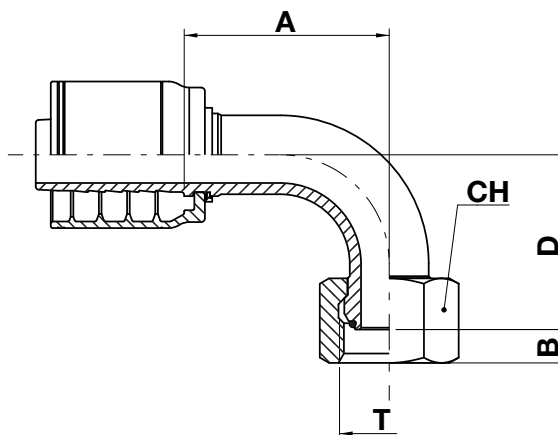


FO93K FO92K

BSP O-ring female swivel 60° cone - 90° elbow

NO SKIVE

ISO 8434-6 / BS 5200

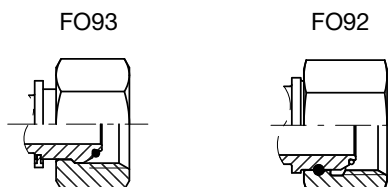


FITTING

- NPTF-NPSM
- JIC
- ORFS
- SAE
- GREASE
- JIS
- BSP-BSPT**
- METRIC
- SAE 3000 CODE 61
- STAPLE LOCK

code	ø hose			T	A		B		D		CH		
	dn	inch	size		mm	in	mm	in	mm	in	mm	in	↗ in
FO93K-04-04	6	1/4"	04	1/4"-19	27,5	1,08	4,2	0,17	27,5	1,08	19,0	0,748	3/4"
FO93K-06-06	10	3/8"	06	3/8"-19	31,5	1,24	6,1	0,24	30,0	1,18	22,0	0,866	7/8"
FO93K-08-08	12	1/2"	08	1/2"-14	37,3	1,47	6,5	0,26	36,0	1,42	27,0	1,063	1.1/16"
FO92K-10-10	16	5/8"	10	5/8"-14	54,0	2,13	9,5	0,37	53,5	2,10	30,0	1,181	1.3/16"
FO92K-12-12	19	3/4"	12	3/4"-14	55,5	2,20	8,7	0,34	57,0	2,24	32,0	1,260	1.1/4"
FO92K-16-16	25	1"	16	1"-11	72,0	2,83	10,5	0,41	71,0	2,80	38,0	1,496	1.1/2"

Nut type

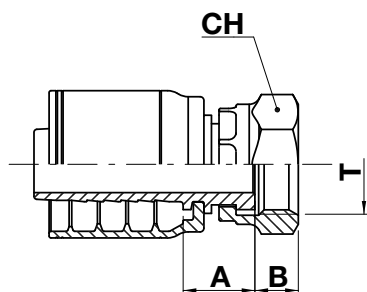


FP11K FP13K FP12K

K

BSP flat face female swivel

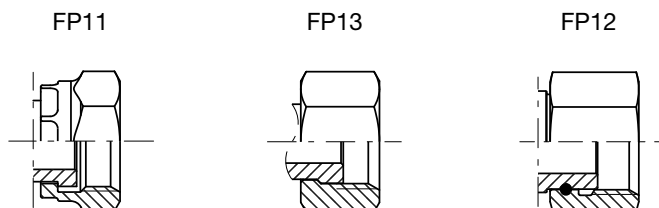
NO SKIVE



- FITTING**
- NPTF-NPSM
 - JIC
 - ORFS
 - SAE
 - GREASE
 - JIS
 - BSP-BSPT**
 - METRIC
 - SAE 3000 CODE 61
 - STAPLE LOCK

code	ø hose			T	A		B		CH		
	dn	inch	size		mm	in	mm	in	mm	in	↻ in
FP13K-04-04	06	1/4"	04	1/4"-19	21,5	0,85	6,5	0,26	19,0	0,748	3/4"
FP11K-06-06	10	3/8"	06	3/8"-19	15,5	0,61	9,0	0,35	22,0	0,866	7/8"
FP11K-06-08	10	3/8"	06	1/2"-14	16,0	0,63	10,5	0,41	27,0	1,063	1.1/16"
FP11K-08-08	12	1/2"	08	1/2"-14	16,5	0,65	10,5	0,41	27,0	1,063	1.1/16"
FP11K-08-12	12	1/2"	08	3/4"-14	21,5	0,85	11,5	0,45	32,0	1,260	1.1/4"
FP11K-12-12	19	3/4"	12	3/4"-14	19,0	0,75	11,5	0,45	32,0	1,260	1.1/4"
FP12K-16-16	25	1"	16	1"-11	26,0	1,02	13,0	0,51	38,0	1,496	1.1/2"

Nut type



BB10K**BSP banjo****NO SKIVE****FITTING**

NPTF-NPSM

JIC

ORFS

SAE

GREASE

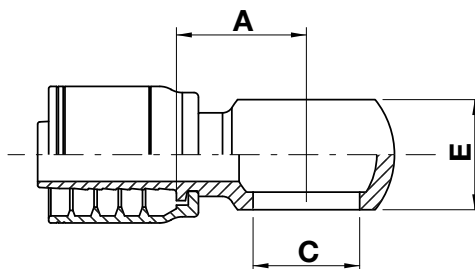
JIS

BSP-BSPT

METRIC

SAE 3000 CODE 61

STAPLE LOCK

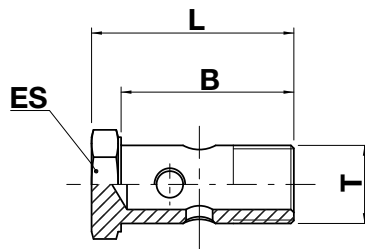


code	ø hose			flange	A		C		E	
	dn	inch	size		mm	in	mm	in	mm	in
BB10K-04-02	6	1/4"	04	1/8"-28	22,0	0,87	10,2	0,40	10,0	0,39
BB10K-04-04	6	1/4"	04	1/4"-19	22,0	0,87	13,3	0,52	14,0	0,55
BB10K-04-06	6	1/4"	04	3/8"-19	23,0	0,91	16,8	0,66	18,0	0,71
BB10K-05-06	8	5/16"	05	3/8"-19	23,0	0,91	16,8	0,66	18,0	0,71
BB10K-06-06	10	3/8"	06	3/8"-19	24,0	0,94	16,8	0,66	18,0	0,71
BB10K-06-08	10	3/8"	06	1/2"-14	26,0	1,02	21,0	0,83	22,0	0,87
BB10K-08-08	12	1/2"	08	1/2"-14	27,0	1,06	21,0	0,83	22,0	0,87
BB10K-10-10	16	5/8"	10	5/8"-14	28,0	1,10	23,1	0,91	24,0	0,94
BB10K-12-12	19	3/4"	12	3/4"-14	36,5	1,44	26,5	1,04	29,0	1,14
BB10K-16-16	25	1"	16	1"-11	44,5	1,75	33,5	1,32	37,0	1,46

VB10B

BSP banjo bolt

NO SKIVE



FITTING

- NPTF-NPSM
- JIC
- ORFS
- SAE
- GREASE
- JIS
- BSP-BSPT**
- METRIC
- SAE 3000 CODE 61
- STAPLE LOCK

code	T	B		L		ES		
		mm	in	mm	in	mm	in	in
VB10B-02	1/8"-28	19,0	0,75	24,0	0,94	14,0	0,551	9/16"
VB10B-04	1/4"-19	25,0	0,98	32,0	1,26	19,0	0,748	3/4"
VB10B-06	3/8"-19	31,0	1,22	38,0	1,50	22,0	0,866	7/8"
VB10B-08	1/2"-14	38,0	1,50	46,0	1,81	27,0	1,063	1.1/16"
VB10B-10	5/8"-14	41,0	1,61	49,0	1,93	30,0	1,181	1.3/16"
VB10B-12	3/4"-14	46,0	1,81	56,0	2,20	32,0	1,260	1.1/4"
VB10B-16	1"-11	58,0	2,28	69,0	2,72	41,0	1,614	1.5/8"

K

For wire braid hoses

KW15K

Jet wash female swivel "K" type

NO SKIVE

FITTING

NPTF-NPSM

JIC

ORFS

SAE

GREASE

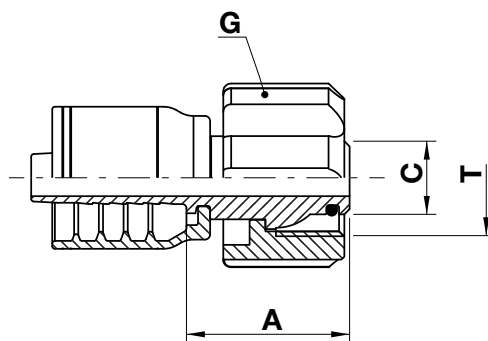
JIS

BSP-BSPT

METRIC

SAE 3000 CODE 61

STAPLE LOCK

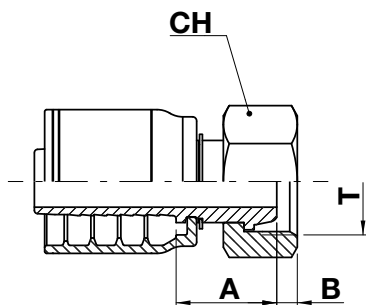


code	ø hose			T	A		C		G	
	dn	inch	size		mm	in	mm	in	mm	in
KW15K-04-22	6	1/4"	04	M22X1,5	31,0	1,22	14,0	0,55	36,0	1,42
KW15K-05-22	8	5/16"	05	M22X1,5	31,0	1,22	14,0	0,55	36,0	1,42
KW15K-06-22	10	3/8"	06	M22X1,5	31,0	1,22	14,0	0,55	36,0	1,42

FQ13K

Metric female swivel (multiseal 24°/60° cone seat)

NO SKIVE



FITTING

NPTF-NPSM
 JIC
 ORFS
 SAE
 GREASE
 JIS
 BSP-BSPT
METRIC
 SAE 3000 CODE 61
 STAPLE LOCK

code	ø hose			T	A		B		CH		
	dn	inch	size		mm	in	mm	in	mm	in	in
FQ13K-04-14	6	1/4"	04	M14X1,5	20,5	0,81	3,5	0,14	17,0	0,669	11/16"
FQ13K-04-16	6	1/4"	04	M16X1,5	22,0	0,87	5,0	0,20	19,0	0,748	3/4"
FQ13K-05-16	8	5/16"	05	M16X1,5	21,0	0,83	5,0	0,20	19,0	0,748	3/4"
FQ13K-05-18	8	5/16"	05	M18X1,5	21,0	0,83	5,0	0,20	22,0	0,866	7/8"
FQ13K-06-16	10	3/8"	06	M16X1,5	21,6	0,85	5,0	0,20	22,0	0,866	7/8"
FQ13K-06-18	10	3/8"	06	M18X1,5	21,0	0,83	5,0	0,20	22,0	0,866	7/8"
FQ13K-08-22	12	1/2"	08	M22X1,5	24,5	0,96	5,0	0,20	27,0	1,063	1.1/16"
FQ13K-10-26	16	5/8"	10	M26X1,5	24,5	0,96	6,0	0,24	32,0	1,260	1.1/4"

FQ93K

Metric female swivel - 90° elbow (multiseal 24°/60° cone seat)

NO SKIVE

FITTING

NPTF-NPSM

JIC

ORFS

SAE

GREASE

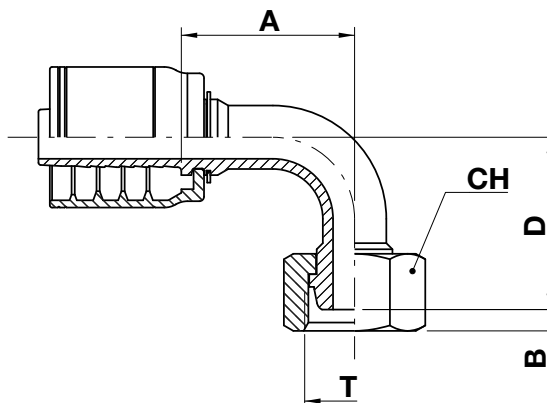
JIS


BSP-BSPT

METRIC

SAE 3000 CODE 61

STAPLE LOCK



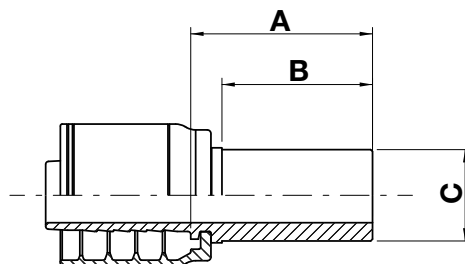
code	ø hose			T	A		B		D		CH		
	dn	inch	size		mm	in	mm	in	mm	in	mm	in	 in
FQ93K-04-14	6	1/4"	04	M14X1,5	28,0	1,10	3,5	0,14	29,5	1,16	17,0	0,669	11/16"
FQ93K-04-16	6	1/4"	04	M16X1,5	29,5	2,03	5,0	0,20	30,0	1,18	19,0	0,748	3/4"
FQ93K-05-16	8	5/16"	05	M16X1,5	31,5	1,24	5,0	0,20	33,0	1,30	19,0	0,748	3/4"
FQ93K-06-16	10	3/8"	06	M16X1,5	35,5	1,39	5,0	0,20	33,5	1,31	22,0	0,866	7/8"
FQ93K-06-18	10	3/8"	06	M18X1,5	30,5	1,20	5,0	0,20	33,5	1,32	22,0	0,866	7/8"
FQ93K-08-22	12	1/2"	08	M22X1,5	38,2	1,50	5,0	0,20	38,0	1,50	27,0	1,063	1.1/16"
FQ93K-10-26	16	5/8"	10	M26X1,5	54,0	2,13	6,0	0,24	52,5	2,07	32,0	1,260	1.1/4"

SM10K

Metric standpipe

NO SKIVE

ISO 8434-1 / (DIN 2353)

**K****FITTING**

NPTF-NPSM

JIC

ORFS

SAE

GREASE

JIS

BSP-BSPT

METRIC

SAE 3000 CODE 61

STAPLE LOCK

code	ø hose			C		A		B	
	dn	inch	size	mm	in	mm	in	mm	in
SM10K-04-06	6	1/4"	04	6,0	0,24	28,0	1,10	22,0	0,87
SM10K-04-08	6	1/4"	04	8,0	0,31	29,5	1,16	23,0	0,91
SM10K-04-10	6	1/4"	04	10,0	0,39	33,0	1,30	27,0	1,06
SM10K-05-10	8	5/16"	05	10,0	0,39	30,5	1,20	24,0	0,94
SM10K-06-10	10	3/8"	06	10,0	0,39	30,5	1,20	24,0	0,94
SM10K-06-12	10	3/8"	06	12,0	0,47	30,5	1,20	24,0	0,94
SM10K-08-15	12	1/2"	08	15,0	0,59	32,0	1,26	25,0	0,98
SM10K-08-16	12	1/2"	08	16,0	0,63	37,0	1,46	30,0	1,18
SM10K-10-18	16	5/8"	10	18,0	0,71	34,0	1,34	27,0	1,06
SM10K-10-20	16	5/8"	10	20,0	0,79	43,0	1,69	36,0	1,42
SM10K-12-18	19	3/4"	12	18,0	0,71	34,5	1,36	27,0	1,06
SM10K-12-20	19	3/4"	12	20,0	0,79	44,5	1,75	36,0	1,42
SM10K-12-22	19	3/4"	12	22,0	0,87	36,5	1,44	28,0	1,10
SM10K-12-25	19	3/4"	12	25,0	0,98	49,5	1,95	41,0	1,61
SM10K-16-25	25	1"	16	25,0	0,98	51,0	2,01	41,0	1,61
SM10K-16-28	25	1"	16	28,0	1,10	40,0	1,57	30,0	1,18
SM10K-16-30	25	1"	16	30,0	1,18	54,0	2,13	44,0	1,73

SM40K

Metric standpipe - 45° elbow

NO SKIVE

ISO 8434-1 / (DIN 2353)

FITTING

NPTF-NPSM

JIC

ORFS

SAE

GREASE

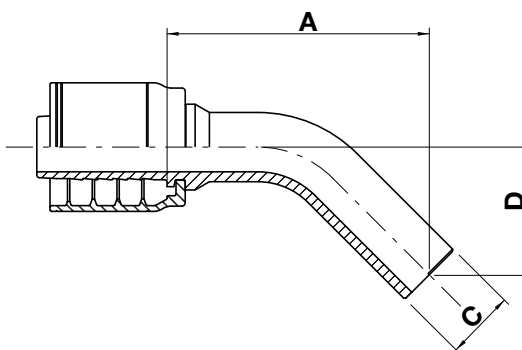
JIS

BSP-BSPT

METRIC

SAE 3000 CODE 61

STAPLE LOCK



code	ø hose			C		A		D	
	dn	inch	size	mm	in	mm	in	mm	in
SM40K-04-06	6	1/4"	04	6,0	0,24	45,0	1,77	22,0	0,87
SM40K-04-08	6	1/4"	04	8,0	0,31	41,5	1,63	22,6	0,89
SM40K-04-10	6	1/4"	04	10,0	0,39	58,0	2,28	25,8	1,02
SM40K-05-10	8	5/16"	05	10,0	0,39	57,0	2,24	24,5	0,96
SM40K-05-12	8	5/16"	05	12,0	0,47	56,0	2,20	29,0	1,14
SM40K-06-10	10	3/8"	06	10,0	0,39	45,5	1,79	22,0	0,87
SM40K-06-12	10	3/8"	06	12,0	0,47	56,0	2,20	29,0	1,14
SM40K-08-15	12	1/2"	08	15,0	0,59	60,5	2,38	28,0	1,10
SM40K-08-16	12	1/2"	08	16,0	0,63	53,0	2,09	34,0	1,34
SM40K-10-18	16	5/8"	10	18,0	0,71	72,0	2,83	35,4	1,39
SM40K-10-20	16	5/8"	10	20,0	0,79	87,9	3,46	46,0	1,81
SM40K-12-22	19	3/4"	12	22,0	0,87	77,4	3,05	37,7	1,48
SM40K-12-25	19	3/4"	12	25,0	0,98	88,5	3,48	47,0	1,85
SM40K-16-28	25	1"	16	28,0	1,10	95,0	3,74	45,5	1,79
SM40K-16-30	25	1"	16	30,0	1,18	96,0	3,78	47,2	1,86

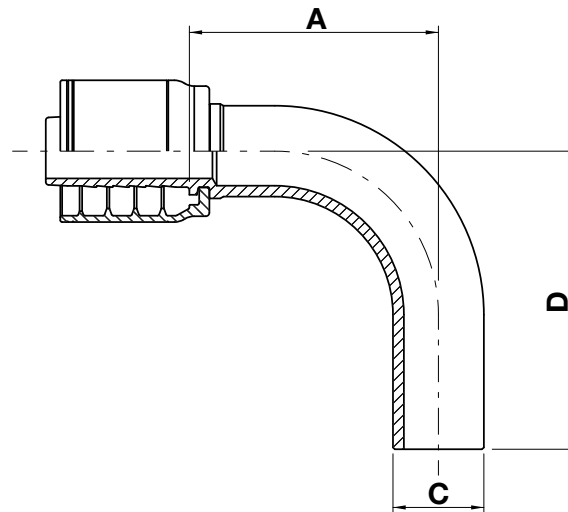
SM90K

K

Metric standpipe - 90° elbow

NO SKIVE

ISO 8434-1 / (DIN 2353)



FITTING

- NPTF-NPSM
- JIC
- ORFS
- SAE
- GREASE
- JIS
- BSP-BSPT
- METRIC**
- SAE 3000 CODE 61
- STAPLE LOCK

code	ø hose			C		A		D	
	dn	inch	size	mm	in	mm	in	mm	in
SM90K-04-06	6	1/4"	04	6,0	0,24	26,0	1,02	34,0	1,34
SM90K-04-08	6	1/4"	04	8,0	0,31	26,0	1,02	39,0	1,54
SM90K-04-10	6	1/4"	04	10,0	0,39	45,5	1,77	36,0	1,42
SM90K-05-10	8	5/16"	05	10,0	0,39	36,0	1,42	39,0	1,54
SM90K-06-10	10	3/8"	06	10,0	0,39	37,0	1,46	50,0	1,97
SM90K-06-12	10	3/8"	06	12,0	0,47	32,5	1,28	47,0	1,85
SM90K-08-15	12	1/2"	08	15,0	0,59	43,5	1,71	54,0	2,13
SM90K-08-16	12	1/2"	08	16,0	0,63	42,5	1,67	53,5	2,11
SM90K-10-18	16	5/8"	10	18,0	0,71	58,5	2,30	63,0	2,48
SM90K-10-20	16	5/8"	10	20,0	0,79	59,5	2,34	68,0	2,68
SM90K-12-20	19	3/4"	12	20,0	0,79	55,5	2,19	77,0	3,03
SM90K-12-22	19	3/4"	12	22,0	0,87	53,0	2,09	70,5	2,78
SM90K-12-25	19	3/4"	12	25,0	0,98	68,5	2,70	82,0	3,23
SM90K-16-25	25	1"	16	25,0	0,98	68,5	2,70	89,0	3,50
SM90K-16-28	25	1"	16	28,0	1,10	68,0	2,68	89,0	3,50

BM10K

Metric banjo

NO SKIVE

FITTING

NPTF-NPSM

JIC

ORFS

SAE

GREASE

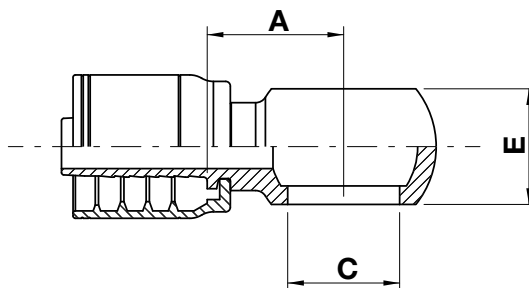
JIS

BSP-BSPT

METRIC

SAE 3000 CODE 61

STAPLE LOCK



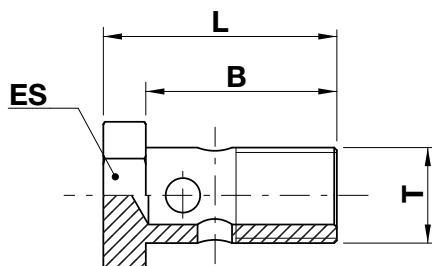
code	ø hose			T	A		C		E	
	dn	inch	size		mm	in	mm	in	mm	in
BM10K-04-10	6	1/4"	04	M10X1	22,0	0,87	10,2	0,40	10,0	0,39
BM10K-04-12	6	1/4"	04	M12X1,5	21,0	0,83	12,2	0,48	12,0	0,47
BM10K-04-14	6	1/4"	04	M14X1,5	21,0	0,83	14,2	0,56	14,0	0,55
BM10K-04-16	6	1/4"	04	M16X1,5	23,0	0,91	16,2	0,63	18,0	0,71
BM10K-05-12	8	5/16"	05	M12X1,5	21,0	0,83	12,2	0,47	12,0	0,47
BM10K-05-14	8	5/16"	05	M14X1,5	23,2	0,91	14,2	0,56	14,0	0,55
BM10K-05-16	8	5/16"	05	M16X1,5	23,0	0,91	16,2	0,64	18,0	0,71
BM10K-06-14	10	3/8"	06	M14X1,5	24,5	0,96	14,2	0,56	14,0	0,55
BM10K-06-16	10	3/8"	06	M16X1,5	24,0	0,94	16,2	0,64	18,0	0,71
BM10K-06-18	10	3/8"	06	M18X1,5	27,5	1,08	18,2	0,72	20,0	0,79
BM10K-06-22	10	3/8"	06	M22X1,5	26,5	1,04	22,2	0,87	22,0	0,87
BM10K-08-16	12	1/2"	08	M16X1,5	24,5	0,96	16,2	0,63	18,0	0,71
BM10K-08-18	12	1/2"	08	M18X1,5	28,1	1,11	18,2	0,72	20,0	0,79
BM10K-08-22	12	1/2"	08	M22X1,5	27,0	1,06	22,2	0,87	22,0	0,87
BM10K-08-24	12	1/2"	08	M24X1,5	29,5	1,16	24,2	0,94	25,0	0,98
BM10K-10-22	16	5/8"	10	M22X1,5	28,0	1,10	22,2	0,87	22,0	0,87
BM10K-12-26	19	3/4"	12	M26X1,5	36,5	1,44	26,2	1,03	29,0	1,14
BM10K-16-30	25	1"	16	M30X1,5	44,5	1,75	30,2	1,19	37,0	1,46

VM10B

Metric banjo bolt

NO SKIVE

DIN 7643



K

FITTING

NPTF-NPSM
 JIC
 ORFS
 SAE
 GREASE
 JIS
 BSP-BSPT
METRIC
 SAE 3000 CODE 61
 STAPLE LOCK

code	T	B		L		ES		
		mm	in	mm	in	mm	in	↻ in
VM10B-08	M8X1	16	0,63	21,0	0,83	12,0	0,472	1/2"
VM10B-10	M10X1	19	0,75	24,0	0,94	14,0	0,551	9/16"
VM10B-12	M12X1,5	23	0,91	28,0	1,10	17,0	0,669	11/16"
VM10B-14	M14X1,5	25	0,98	32,0	1,26	19,0	0,748	3/4"
VM10B-16	M16X1,5	31	1,22	37,0	1,46	22,0	0,866	7/8"
VM10B-18	M18X1,5	36	1,42	44,0	1,73	24,0	0,945	15/16"
VM10B-22	M22X1,5	38	1,50	46,0	1,81	27,0	1,063	1.1/16"
VM10B-24	M24X1,5	41	1,61	49,0	1,93	30,0	1,181	1.3/16"
VM10B-26	M26X1,5	46	1,81	56,0	2,20	32,0	1,260	1.1/4"
VM10B-30	M30X1,5	58	2,28	69,0	2,72	38,0	1,496	1.1/2"

ML10K

Metric light male (24° cone seat)

NO SKIVE

ISO 8434-1 / DIN 3865

FITTING

NPTF-NPSM

JIC

ORFS

SAE

GREASE

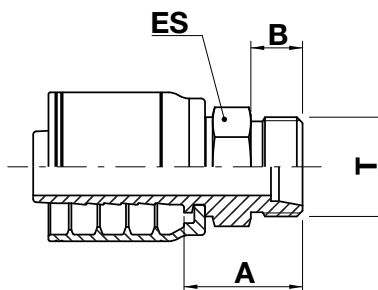
JIS

BSP-BSPT

METRIC

SAE 3000 CODE 61

STAPLE LOCK



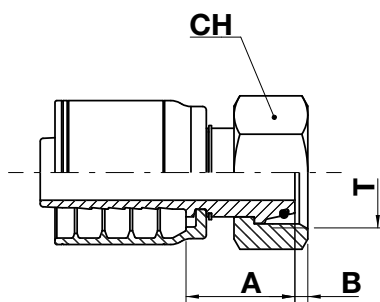
code	ø hose			T	pipe	A		B		ES		
	dn	inch	size			mm	in	mm	in	mm	in	↻ in
ML10K-04-12	6	1/4"	04	M12X1,5	L6	22,5	0,89	10,0	0,39	14,0	0,551	9/16"
ML10K-04-14	6	1/4"	04	M14X1,5	L8	22,5	0,89	10,0	0,39	14,0	0,551	9/16"
ML10K-04-16	6	1/4"	04	M16X1,5	L10	24,5	0,96	11,0	0,43	17,0	0,669	11/16"
ML10K-05-16	8	5/16"	05	M16X1,5	L10	24,5	0,96	11,0	0,43	17,0	0,669	11/16"
ML10K-05-18	8	5/16"	05	M18X1,5	L12	25,0	0,98	11,0	0,43	19,0	0,748	3/4"
ML10K-06-16	10	3/8"	06	M16X1,5	L10	24,5	0,96	11,0	0,43	17,0	0,669	11/16"
ML10K-06-18	10	3/8"	06	M18X1,5	L12	25,0	0,98	11,0	0,43	19,0	0,748	3/4"
ML10K-06-22	10	3/8"	06	M22X1,5	L15	26,0	1,02	12,0	0,47	22,0	0,866	7/8"
ML10K-08-18	12	1/2"	08	M18X1,5	L12	25,5	1,00	11,0	0,43	19,0	0,748	3/4"
ML10K-08-22	12	1/2"	08	M22X1,5	L15	26,5	1,04	12,0	0,47	22,0	0,866	7/8"
ML10K-08-26	12	1/2"	08	M26X1,5	L18	29,0	1,14	12,0	0,47	27,0	1,063	1.1/16"
ML10K-10-26	16	5/8"	10	M26X1,5	L18	29,0	1,14	12,0	0,47	27,0	1,063	1.1/16"
ML10K-12-26	19	3/4"	12	M26X1,5	L18	29,5	1,16	12,0	0,47	27,0	1,063	1.1/16"
ML10K-12-30	19	3/4"	12	M30X2	L22	31,5	1,24	14,0	0,55	30,0	1,181	1.3/16"
ML10K-16-36	25	1"	16	M36X2	L28	34,0	1,34	14,0	0,55	36,0	1,417	1.7/16"

FL13K FL11K FL12K

Metric light female swivel (24° cone seat)

NO SKIVE

ISO 8434-1 / DIN 3865

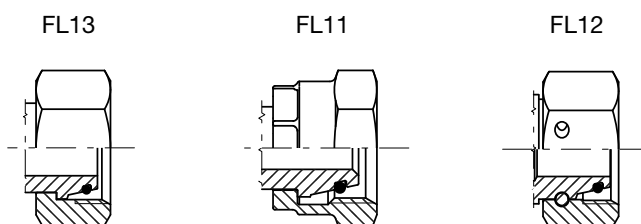


FITTING

-
- NPTF-NPSM
- JIC
- ORFS
- SAE
- GREASE
- JIS
- BSP-BSPT
- METRIC**
- SAE 3000 CODE 61
- STAPLE LOCK

code	ø hose			T	pipe	A		B		CH		
	dn	inch	size			mm	in	mm	in	mm	in	↗ in
FL11K-04-12	6	1/4"	04	M12X1,5	L6	20,9	0,82	2,6	0,10	16,0	0,630	-
FL13K-04-14	6	1/4"	04	M14X1,5	L8	25,0	0,98	1,5	0,06	17,0	0,669	11/16"
FL13K-04-16	6	1/4"	04	M16X1,5	L10	27,5	1,08	1,5	0,06	19,0	0,748	3/4"
FL13K-04-18	6	1/4"	04	M18X1,5	L12	26,0	1,02	1,5	0,06	22,0	0,866	7/8"
FL13K-05-16	8	5/16"	05	M16X1,5	L10	27,5	1,08	1,5	0,06	19,0	0,748	3/4"
FL13K-05-18	8	5/16"	05	M18X1,5	L12	26,0	1,02	1,5	0,06	22,0	0,866	7/8"
FL12K-06-16	10	3/8"	06	M16X1,5	L10	23,0	0,91	3,5	0,14	19,0	0,748	3/4"
FL13K-06-18	10	3/8"	06	M18X1,5	L12	26,0	1,02	1,5	0,06	22,0	0,866	7/8"
FL13K-06-22	10	3/8"	06	M22X1,5	L15	28,5	1,12	2,5	0,10	27,0	1,063	1.1/16"
FL13K-08-22	12	1/2"	08	M22X1,5	L15	28,5	1,12	2,5	0,10	27,0	1,063	1.1/16"
FL13K-08-26	12	1/2"	08	M26X1,5	L18	30,0	1,18	2,0	0,08	32,0	1,260	1.1/4"
FL13K-10-26	16	5/8"	10	M26X1,5	L18	29,0	1,14	2,0	0,08	32,0	1,260	1.1/4"
FL13K-12-30	19	3/4"	12	M30X2	L22	29,5	1,16	3,5	0,14	36,0	1,417	1.7/16"
FL13K-16-36	25	1"	16	M36X2	L28	32,0	1,26	3,5	0,14	41,0	1,614	1.5/8"

Nut type

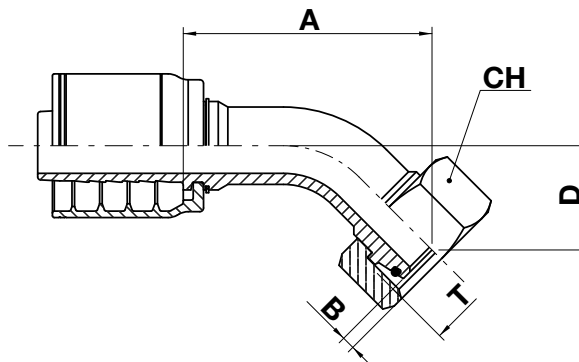


FL43K FL41K FL42K

Metric light female swivel - 45° elbow (24° cone seat)

NO SKIVE

ISO 8434-1 / DIN 3865



FITTING

NPTF-NPSM

JIC

ORFS

SAE

GREASE

JIS

BSP-BSPT

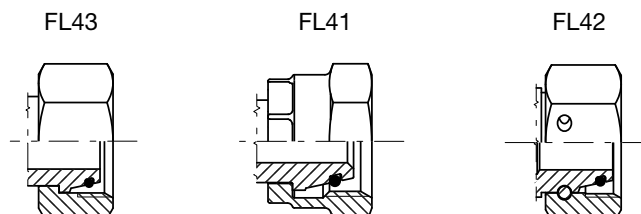
METRIC

SAE 3000 CODE 61

STAPLE LOCK

code	ø hose			T	pipe	A		B		D		CH		
	dn	inch	size			mm	in	mm	in	mm	in	mm	in	↗ in
FL41K-04-12	6	1/4"	04	M12X1,5	L6	39,0	1,54	2,6	0,10	14,8	0,58	16,0	0,630	-
FL43K-04-14	6	1/4"	04	M14X1,5	L8	35,2	1,39	1,5	0,06	15,5	0,61	17,0	0,669	11/16"
FL43K-04-16	6	1/4"	04	M16X1,5	L10	36,3	1,43	1,5	0,06	16,6	0,65	19,0	0,748	3/4"
FL43K-04-18	6	1/4"	04	M18X1,5	L12	42,5	1,67	1,5	0,06	18,0	0,71	22,0	0,866	7/8"
FL43K-05-16	8	5/16"	05	M16X1,5	L10	39,0	1,54	1,5	0,06	17,1	0,67	19,0	0,748	3/4"
FL42K-06-16	10	3/8"	06	M16X1,5	L10	44,6	1,76	3,5	0,14	21,7	0,86	19,0	0,748	3/4"
FL43K-06-18	10	3/8"	06	M18X1,5	L12	42,6	1,68	1,5	0,06	19,2	0,76	22,0	0,866	7/8"
FL43K-06-22	10	3/8"	06	M22X1,5	L15	45,0	1,77	2,5	0,10	22,1	0,87	27,0	1,063	1.1/16"
FL43K-08-22	12	1/2"	08	M22X1,5	L15	48,2	1,90	2,5	0,10	20,8	0,82	27,0	1,063	1.1/16"
FL43K-08-26	12	1/2"	08	M26X1,5	L18	69,0	2,72	2,0	0,08	27,2	1,07	32,0	1,260	1,1/4"
FL43K-10-26	16	5/8"	10	M26X1,5	L18	62,5	2,46	2,0	0,08	25,5	1,00	32,0	1,260	1.1/4"
FL43K-12-30	19	3/4"	12	M30X2	L22	67,5	2,66	3,5	0,14	28,3	1,11	36,0	1,417	1.7/16"
FL43K-16-36	25	1"	16	M36X2	L28	85,0	3,35	3,5	0,14	33,1	1,30	41,0	1,614	1.5/8"

Nut type

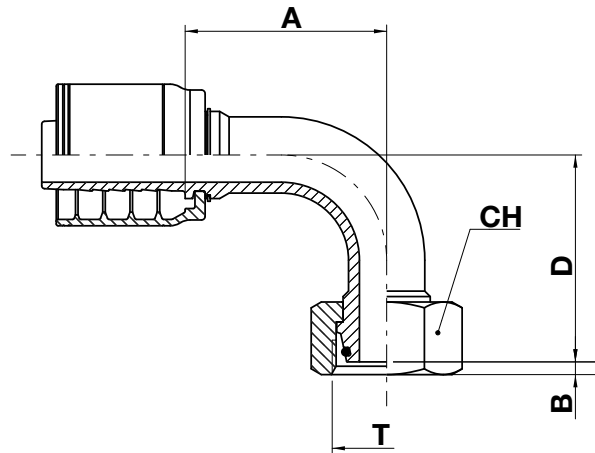


FL93K FL91K FL92K

Metric light female swivel - 90° elbow (24° cone seat)

NO SKIVE

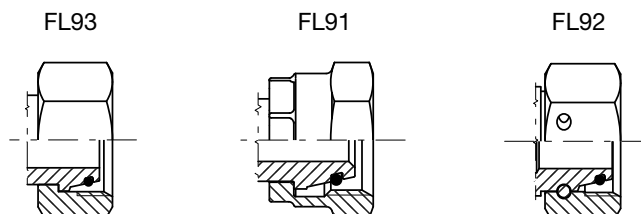
ISO 8434-1 / DIN 3865



- FITTING**
- NPTF-NPSM
 - JIC
 - ORFS
 - SAE
 - GREASE
 - JIS
 - BSP-BSPT
 - METRIC**
 - SAE 3000 CODE 61
 - STAPLE LOCK

code	ø hose			T	pipe	A		B		D		CH		
	dn	inch	size			mm	in	mm	in	mm	in	mm	in	↗ in
FL91K-04-12	6	1/4"	04	M12X1,5	L6	30,7	1,21	2,6	0,10	30,0	1,18	16,0	0,630	-
FL93K-04-14	6	1/4"	04	M14X1,5	L8	28,0	1,10	1,5	0,06	31,0	1,22	17,0	0,669	11/16"
FL93K-04-16	6	1/4"	04	M16X1,5	L10	28,2	1,11	1,5	0,06	32,5	1,28	19,0	0,748	3/4"
FL93K-04-18	6	1/4"	04	M18X1,5	L12	29,5	1,16	1,5	0,06	34,5	1,35	22,0	0,866	7/8"
FL93K-05-16	8	5/16"	05	M16X1,5	L10	30,5	1,20	1,5	0,06	33,0	1,30	19,0	0,748	3/4"
FL93K-05-18	8	5/16"	05	M18X1,5	L12	31,5	1,24	1,5	0,06	36,0	1,42	22,0	0,866	7/8"
FL92K-06-16	10	3/8"	06	M16X1,5	L10	34,0	1,34	3,5	0,14	39,5	1,56	19,0	0,748	3/4"
FL93K-06-18	10	3/8"	06	M18X1,5	L12	30,5	1,20	1,5	0,06	36,0	1,42	22,0	0,866	7/8"
FL93K-06-22	10	3/8"	06	M22X1,5	L15	31,5	1,24	2,5	0,10	40,0	1,57	27,0	1,063	1.1/16"
FL93K-08-22	12	1/2"	08	M22X1,5	L15	38,2	1,50	2,5	0,10	40,0	1,57	27,0	1,063	1.1/16"
FL93K-08-26	12	1/2"	08	M26X1,5	L18	39,0	1,54	2,0	0,08	49,0	1,93	32,0	1,260	1,1/4"
FL93K-10-26	16	5/8"	10	M26X1,5	L18	54,0	2,13	2,0	0,08	53,0	2,09	32,0	1,260	1,1/4"
FL93K-12-30	19	3/4"	12	M30X2	L22	55,5	2,19	3,5	0,14	57,0	2,24	36,0	1,417	1.7/16"
FL93K-16-36	25	1"	16	M36X2	L28	74,0	2,91	3,5	0,14	69,0	2,72	41,0	1,614	1.5/8"

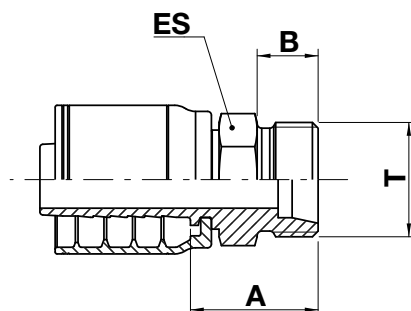
Nut type



MS10K

Metric heavy male (24° cone seat)
NO SKIVE

ISO 8434-1 / DIN 3865


FITTING

NPTF-NPSM

JIC

ORFS

SAE

GREASE

JIS

BSP-BSPT

METRIC

SAE 3000 CODE 61

STAPLE LOCK

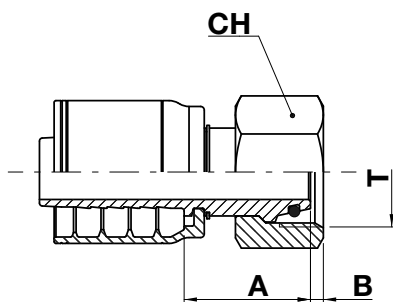
code	ø hose			T	pipe	A		B		ES		
	dn	inch	size			mm	in	mm	in	mm	in	↗ in
MS10K-04-14	6	1/4"	04	M14X1,5	S6	24,5	0,96	12,0	0,47	14,0	0,551	9/16"
MS10K-04-16	6	1/4"	04	M16X1,5	S8	26,0	1,02	12,0	0,47	17,0	0,669	11/16"
MS10K-04-18	6	1/4"	04	M18X1,5	S10	26,0	1,02	12,0	0,47	19,0	0,748	3/4"
MS10K-04-20	6	1/4"	04	M20X1,5	S12	26,0	1,02	12,0	0,47	22,0	0,866	7/8"
MS10K-05-18	8	5/16"	05	M18X1,5	S10	26,0	1,02	12,0	0,47	19,0	0,748	3/4"
MS10K-05-20	8	5/16"	05	M20X1,5	S12	26,0	1,02	12,0	0,47	22,0	0,866	7/8"
MS10K-06-18	10	3/8"	06	M18X1,5	S10	26,0	1,02	12,0	0,47	19,0	0,748	3/4"
MS10K-06-20	10	3/8"	06	M20X1,5	S12	26,0	1,02	12,0	0,47	22,0	0,866	7/8"
MS10K-06-22	10	3/8"	06	M22X1,5	S14	28,0	1,10	14,0	0,55	22,0	0,866	7/8"
MS10K-06-24	10	3/8"	06	M24X1,5	S16	28,0	1,10	14,0	0,55	24,0	0,945	15/16"
MS10K-08-24	12	1/2"	08	M24X1,5	S16	28,5	1,12	14,0	0,55	24,0	0,945	15/16"
MS10K-10-30	16	5/8"	10	M30X2	S20	33,0	1,30	16,0	0,63	30,0	1,181	1.3/16"
MS10K-12-30	19	3/4"	12	M30X2	S20	33,5	1,32	16,0	0,63	30,0	1,181	1.3/16"
MS10K-12-36	19	3/4"	12	M36X2	S25	36,5	1,44	18,0	0,71	36,0	1,417	1.7/16"
MS10K-16-36	25	1"	16	M36X2	S25	38,0	1,50	18,0	0,71	36,0	1,417	1.7/16"
MS10K-16-42	25	1"	16	M42X2	S30	41,0	1,61	20,0	0,79	46,0	1,811	1.13/16"

FS13K FS12K

Metric heavy female swivel (24° cone seat)

NO SKIVE

ISO 8434-1 / DIN 3865

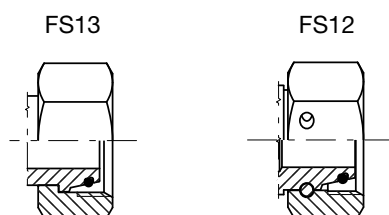


FITTING

- NPTF-NPSM
- JIC
- ORFS
- SAE
- GREASE
- JIS
- BSP-BSPT
- METRIC**
- SAE 3000 CODE 61
- STAPLE LOCK

code	ø hose			T	pipe	A		B		CH		
	dn	inch	size			mm	in	mm	in	mm	in	↻ in
FS13K-04-14	6	1/4"	04	M14X1,5	S6	22,0	0,87	2,5	0,10	17,0	0,669	11/16"
FS13K-04-16	6	1/4"	04	M16X1,5	S8	26,5	1,04	2,5	0,10	19,0	0,748	3/4"
FS13K-04-18	6	1/4"	04	M18X1,5	S10	33,5	1,32	2,0	0,08	22,0	0,866	7/8"
FS13K-05-20	8	5/16"	05	M20X1,5	S12	26,5	1,04	2,0	0,08	24,0	0,945	15/16"
FS12K-06-18	10	3/8"	06	M18X1,5	S10	24,0	0,94	2,0	0,08	22,0	0,866	7/8"
FS13K-06-18	10	3/8"	06	M18X1,5	S10	24,0	0,94	2,0	0,08	22,0	0,866	7/8"
FS13K-06-20	10	3/8"	06	M20X1,5	S12	26,5	1,04	2,0	0,08	24,0	0,945	15/16"
FS13K-06-22	10	3/8"	06	M22X1,5	S14	29,5	1,16	4,0	0,16	27,0	1,063	1.1/16"
FS13K-08-24	12	1/2"	08	M24X1,5	S16	33,0	1,30	3,0	0,12	30,0	1,181	1.3/16"
FS13K-10-30	16	5/8"	10	M30X2	S20	34,0	1,34	3,5	0,14	36,0	1,417	1.7/16"
FS13K-12-30	19	3/4"	12	M30X2	S20	34,5	1,36	3,5	0,14	36,0	1,417	1.7/16"
FS13K-12-36	19	3/4"	12	M36X2	S25	39,5	1,56	3,0	0,12	46,0	1,811	1.13/16"
FS13K-16-36	25	1"	16	M36X2	S25	42,0	1,65	3,0	0,12	46,0	1,811	1.13/16"
FS13K-16-42	25	1"	16	M42X2	S30	43,0	1,69	6,0	0,24	50,0	1,969	2"

Nut type

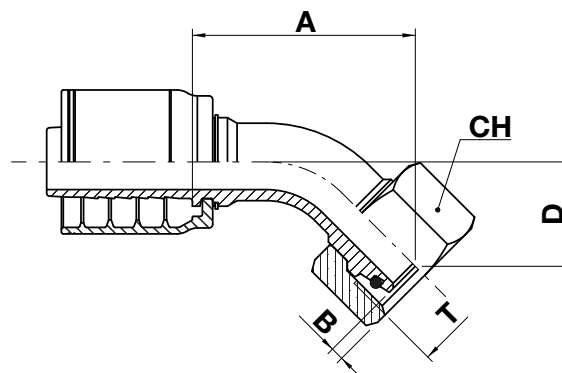


FS43K

Metric heavy female swivel - 45° elbow (24° cone seat)

NO SKIVE

ISO 8434-1 / DIN 3865



FITTING

NPTF-NPSM

JIC

ORFS

SAE

GREASE

JIS

BSP-BSPT

METRIC

SAE 3000 CODE 61

STAPLE LOCK

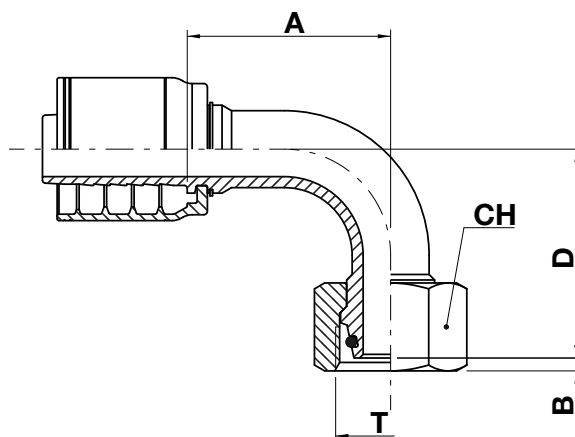
code	ø hose			T	pipe	A		B		D		CH		
	dn	inch	size			mm	in	mm	in	mm	in	mm	in	↻ in
FS43K-04-14	6	1/4"	04	M14X1,5	S6	35,6	1,40	2,5	0,10	16,0	0,63	17,0	0,669	11/16"
FS43K-04-16	6	1/4"	04	M16X1,5	S8	36,3	1,43	2,5	0,10	16,6	0,65	19,0	0,748	3/4"
FS43K-04-18	6	1/4"	04	M18X1,5	S10	37,7	1,48	2,0	0,08	18,0	0,71	22,0	0,866	7/8"
FS43K-05-20	8	5/16"	05	M20X1,5	S12	41,0	1,61	2,0	0,08	19,2	0,76	24,0	0,945	15/16"
FS43K-06-20	10	3/8"	06	M20X1,5	S12	42,0	1,65	2,0	0,08	19,2	0,76	24,0	0,945	15/16"
FS43K-06-22	10	3/8"	06	M22X1,5	S14	45,0	1,77	4,0	0,16	22,0	0,87	27,0	1,063	1.1/16"
FS43K-08-24	12	1/2"	08	M24X1,5	S16	50,0	1,97	3,0	0,12	22,6	0,89	30,0	1,181	1.3/16"
FS43K-10-30	16	5/8"	10	M30X2	S20	64,0	2,52	3,5	0,14	26,9	1,06	36,0	1,417	1.7/16"
FS43K-12-30	19	3/4"	12	M30X2	S20	60,4	2,38	3,5	0,14	28,3	1,11	36,0	1,417	1.7/16"
FS43K-12-36	19	3/4"	12	M36X2	S25	68,9	2,71	3,0	0,12	30,4	1,20	46,0	1,811	1.13/16"
FS43K-16-36	25	1"	16	M36X2	S25	87,0	3,43	3,0	0,12	34,8	1,37	46,0	1,811	1.13/16"
FS43K-16-42	25	1"	16	M42X2	S30	89,0	3,50	6,0	0,24	37,3	1,47	50,0	1,969	2"

FS93K

Metric heavy female swivel - 90° elbow (24° cone seat)

NO SKIVE

ISO 8434-1 / DIN 3865



FITTING

NPTF-NPSM

JIC

ORFS

SAE

GREASE

JIS

BSP-BSPT

METRIC

SAE 3000 CODE 61

STAPLE LOCK

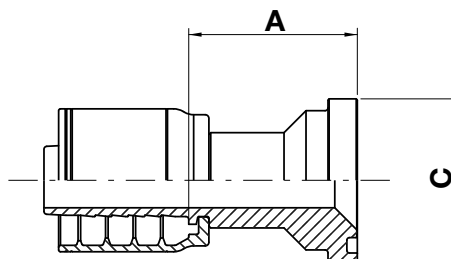
code	ø hose			T	pipe	A		B		D		CH		
	dn	inch	size			mm	in	mm	in	mm	in	mm	in	↻ in
FS93K-04-14	6	1/4"	04	M14X1,5	S6	28,0	1,10	2,5	0,10	31,8	1,25	17,0	0,669	11/16"
FS93K-04-16	6	1/4"	04	M16X1,5	S8	28,2	1,11	2,5	0,10	32,5	1,28	19,0	0,748	3/4"
FS93K-04-18	6	1/4"	04	M18X1,5	S10	28,2	1,11	2,0	0,08	34,5	1,36	22,0	0,866	7/8"
FS93K-05-20	8	5/16"	05	M20X1,5	S12	30,5	1,20	2,0	0,08	36,0	1,42	24,0	0,945	15/16"
FS93K-06-18	10	3/8"	06	M18X1,5	S10	30,5	1,20	2,0	0,08	36,0	1,42	22,0	0,866	7/8"
FS93K-06-20	10	3/8"	06	M20X1,5	S12	30,5	1,20	2,0	0,08	36,0	1,42	24,0	0,945	15/16"
FS93K-06-22	10	3/8"	06	M22X1,5	S14	31,5	1,24	4,0	0,16	41,0	1,61	27,0	1,063	1.1/16"
FS93K-08-24	12	1/2"	08	M24X1,5	S16	38,2	1,50	3,0	0,12	42,5	1,67	30,0	1,181	1.3/16"
FS93K-10-30	16	5/8"	10	M30X2	S20	54,0	2,13	3,5	0,14	55,0	2,17	36,0	1,417	1.7/16"
FS93K-12-30	19	3/4"	12	M30X2	S20	55,5	2,19	3,5	0,14	57,0	2,24	36,0	1,417	1.7/16"
FS93K-12-36	19	3/4"	12	M36X2	S25	55,5	2,19	3,0	0,12	60,0	2,36	46,0	1,811	1.13/16"
FS93K-16-36	25	1"	16	M36X2	S25	74,0	2,91	3,0	0,12	75,0	2,95	46,0	1,811	1.13/16"
FS93K-16-42	25	1"	16	M42X2	S30	74,0	2,91	6,0	0,24	75,0	2,95	50,0	1,969	2"

AX10K

SAE 3000 code 61 straight flange

NO SKIVE

ISO 6162-1 / SAE J518-1

**FITTING**

NPTF-NPSM

JIC

ORFS

SAE

GREASE

JIS

BSP-BSPT

METRIC

SAE 3000 CODE 61

STAPLE LOCK

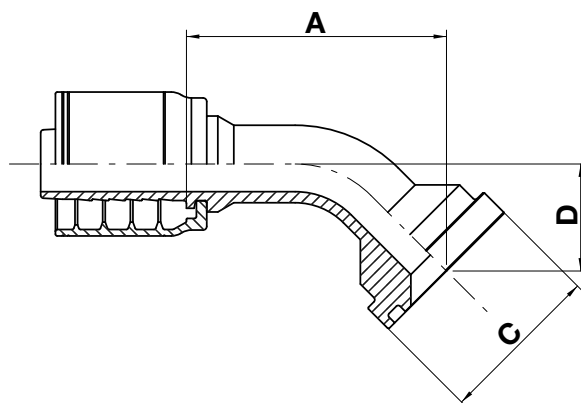
code	ø hose			flange	A		C	
	dn	inch	size		mm	in	mm	in
AX10K-08-08	12	1/2"	08	1/2"	38,0	1,50	30,2	1,19
AX10K-08-12	12	1/2"	08	3/4"	39,0	1,54	38,1	1,50
AX10K-10-12	16	5/8"	10	3/4"	39,0	1,54	38,1	1,50
AX10K-12-12	19	3/4"	12	3/4"	39,5	1,56	38,1	1,50
AX10K-12-16	19	3/4"	12	1"	46,0	1,81	44,5	1,75
AX10K-16-16	25	1"	16	1"	47,6	1,87	44,5	1,75
AX10K-16-20	25	1"	16	1.1/4"	48,5	1,91	50,0	2,00

AX40K

SAE 3000 code 61 - 45° elbow flange

NO SKIVE

ISO 6162-1 / SAE J518-1



FITTING
 NPTF-NPSM
 JIC
 ORFS
 SAE
 GREASE
 JIS
 BSP-BSPT
 METRIC
SAE 3000 CODE 61
 STAPLE LOCK

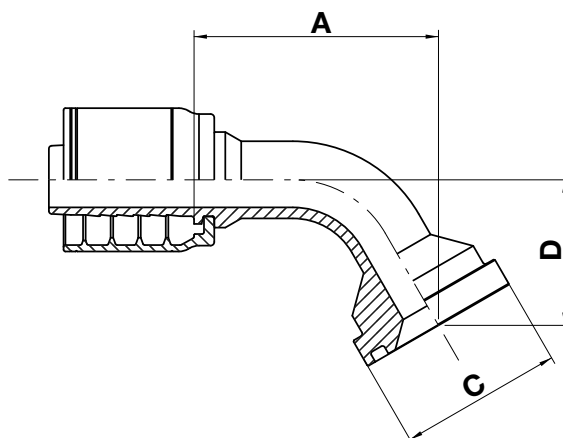
code	ø hose			flange	A		C		D	
	dn	inch	size		mm	in	mm	in	mm	in
AX40K-08-08	12	1/2"	08	1/2"	55,2	2,17	30,2	1,19	21,9	0,86
AX40K-08-12	12	1/2"	08	3/4"	60,1	2,37	38,1	1,50	24,3	0,96
AX40K-10-12	16	5/8"	10	3/4"	66,0	2,60	38,1	1,50	26,9	1,06
AX40K-12-12	19	3/4"	12	3/4"	68,5	2,70	38,1	1,50	27,9	1,10
AX40K-12-16	19	3/4"	12	1"	70,5	2,77	44,5	1,75	29,0	1,14
AX40K-16-16	25	1"	16	1"	74,4	2,93	44,5	1,75	27,0	1,06
AX40K-16-20	25	1"	16	1.1/4"	76,2	3,00	50,8	2,00	29,0	1,14

AX60K

SAE 3000 code 61 - 60° elbow flange

NO SKIVE

ISO 6162-1 / SAE J518-1

**FITTING**

NPTF-NPSM

JIC

ORFS

SAE

GREASE

JIS

BSP-BSPT

METRIC

SAE 3000 CODE 61

STAPLE LOCK

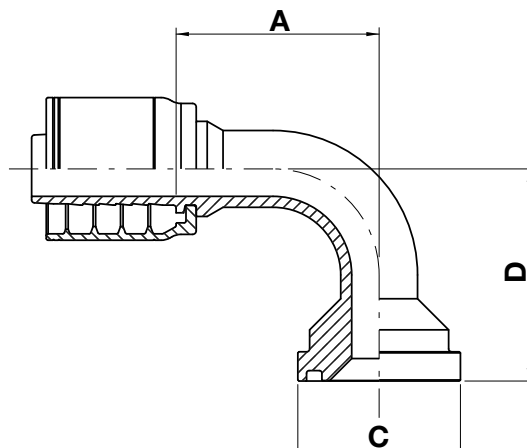
code	ø hose			flange	A		C		D	
	dn	inch	size		mm	in	mm	in	mm	in
AX60K-12-12	19	3/4"	12	3/4"	69,3	2,73	38,1	1,50	38,3	1,51
AX60K-12-16	19	3/4"	12	1"	66,5	2,62	44,5	1,75	39,6	1,56
AX60K-16-16	25	1"	16	1"	78,7	3,10	44,5	1,75	40,0	1,58
AX60K-16-20	25	1"	16	1.1/4"	84,0	3,31	50,8	2,00	40,0	1,57

AX90K

SAE 3000 code 61 - 90° elbow flange

NO SKIVE

ISO 6162-1 / SAE J518-1



FITTING
 NPTF-NPSM
 JIC
 ORFS
 SAE
 GREASE
 JIS
 BSP-BSPT
 METRIC
SAE 3000 CODE 61
 STAPLE LOCK

code	ø hose			flange	A		C		D	
	dn	inch	size		mm	in	mm	in	mm	in
AX90K-08-08	12	1/2"	08	1/2"	46,5	1,83	30,2	1,19	45,0	1,77
AX90K-08-12	12	1/2"	08	3/4"	49,0	1,93	38,1	1,50	49,5	1,95
AX90K-10-12	16	5/8"	10	3/4"	55,5	2,19	38,1	1,50	55,0	2,17
AX90K-12-12	19	3/4"	12	3/4"	55,5	2,19	38,1	1,50	56,5	2,22
AX90K-12-16	19	3/4"	12	1"	55,5	2,19	44,5	1,75	58,0	2,28
AX90K-16-16	25	1"	16	1"	70,0	2,76	44,5	1,75	61,0	2,40
AX90K-16-20	25	1"	16	1.1/4"	69,9	2,75	50,8	2,00	61,0	2,40

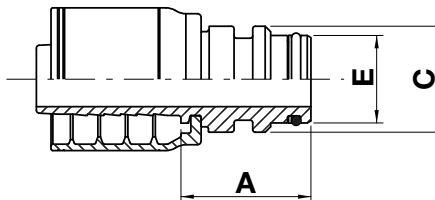
ST11K

Staple lock male

NO SKIVE

FITTING

NPTF-NPSM
 JIC
 ORFS
 SAE
 GREASE
 JIS
 BSP-BSPT
 METRIC
 SAE 3000 CODE 61

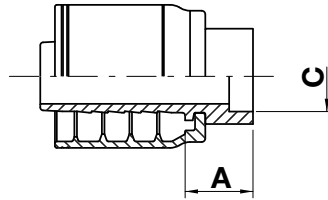
STAPLE LOCK

code	ø hose			A		C		E	
	dn	inch	size	mm	in	mm	in	mm	in
ST11K-04-04	6	1/4"	04	35,5	1,40	14,9	0,59	9,9	0,39
ST11K-04-06	6	1/4"	04	34,5	1,36	19,9	0,78	13,9	0,55
ST11K-06-06	10	3/8"	06	34,5	1,36	19,9	0,79	13,9	0,55
ST11K-08-08	12	1/2"	08	35,0	1,38	23,9	0,94	17,9	0,70
ST11K-10-10	16	5/8"	10	36,0	1,42	25,9	1,02	20,9	0,82
ST11K-12-12	19	3/4"	12	35,5	1,40	28,9	1,14	23,9	0,94
ST11K-16-16	25	1"	16	44,0	1,73	38,8	1,53	30,9	1,22

WO10K

Brazing tail

NO SKIVE



FITTING

- NPTF-NPSM
- JIC
- ORFS
- SAE
- GREASE
- JIS
- BSP-BSPT
- METRIC
- SAE 3000 CODE 61
- STAPLE LOCK

code	ø hose			A		C	
	dn	inch	size	mm	in	mm	in
WO10K-04-04	6	1/4"	04	14,5	0,57	6,5	0,26
WO10K-06-06	10	3/8"	06	16,5	0,65	9,5	0,38
WO10K-08-08	12	1/2"	08	17,0	0,67	12,8	0,51
WO10K-08-10	12	1/2"	08	20,0	0,79	16,0	0,63
WO10K-10-10	16	5/8"	10	17,0	0,67	16,0	0,63
WO10K-12-12	19	3/4"	12	18,5	0,73	19,2	0,76
WO10K-16-16	25	1"	16	23	0,91	25,6	1,01

LubeTeam Hydraulic S.r.l.

Administration and Headquarter:

Via Tufara Scautieri, 6

83018 - San Martino Valle Caudina (AV)

Office and Warehouse:

S.S. 7 Appia, Km. 237,00

82011 - Airola BN

ITALY

Tel. +39 0823 950 994

Fax +39 0823 412 546

www.lubeteam.it info@lubeteam.it

Italian VAT / C.F. e P.IVA: 01251720627

Follow us



This document is the property of LubeTeam Hydraulic S.r.l. All data reported here are for the exclusive use of the Receiver. Reproduction is not authorized without writing permission, in all or in part of the content of this document, in accordance to Law 633 art. 171, dated April 22, 1941.

Il presente documento è di proprietà della LubeTeam Hydraulic S.r.l. I dati riportati sono per esclusivo del destinatario. La riproduzione, di tutto o in parte, non è autorizzata senza permesso scritto secondo l'art. 171 della L. 633 del 22 Aprile 1941.