



INTERTRACO  
Raccordi per Tubi Flessibili  
Serie B



 HYDRAULIC  
COMPONENTS  
& FLUID CONTAMINATION  
CONTROL



All trademarks belong to their respective owners; third party trademarks, product names, trade names, corporate names and company names mentioned may be trademarks of their respective owners or registered trademarks of other companies and are used for instructional purposes and for the benefit of the owner, without any end of Copyright infringement in force.

Tutti i marchi riportati appartengono ai legittimi proprietari; marchi di terzi, nomi di prodotti, nomi commerciali, nomi corporativi e società citati possono essere di proprietà dei rispettivi titolari o registrati da altre società e sono stati utilizzati a puro scopo esplicativo e a beneficio del possessore, senza alcun fine di violazione dei diritti di Copyright vigenti.

# B

**SERIES**

---

**Two piece fittings -  
Universal series  
for wire braided and 4  
spiral hydraulic hoses.  
No skive / Ext. skive**



product	standard	code	description	page
Ferrule	-	S0210	Skive ferrule for: EN 853 1SN / SAE 100 R1AT / EN857 2SC / SAE 100 R16 / SAE 100 R17 / SAE 100 R19	17
		S0420	Skive ferrule for: EN 853 2SN / SAE 100 R2AT / EN856 4SP / SAE 100 R12 / EN 856 4SH / ISO 18752 / SAE 100 R15	18
		SN03T	No skive ferrule for: EN 853 1SN / SAE 100 R1AT / EN 853 2SN / SAE 100 R2AT / EN 857 2SC / SAE 100 R16 / SAE 100 R17 / SAE 100 R19 / SAE 100 R4	19
		SCX0T	No skive ferrule for: EN 853 1SN / SAE 100 R1AT / EN 853 2SN / SAE 100 R2AT / EN 857 1SC / SAE 100 R17 / EN 857 2SC / SAE 100 R16 / SAE 100 R19	20
		S312T	No skive ferrule for: EN 856 4SP / SAE 100 R12 / EN 856 4SH / ISO 18752 / SAE 100 R15	21
		S00TK	No skive ferrule for: SAE 100 R6 / SAE 100 R7	22
		S014T	No skive ferrule for Intertraco hose type: FlexIT T14	23
Fitting	BSP BSPT	MT10B	BSPT tapered male 60° cone	24
		MP10B	BSP flat face male	25
		MB10B	BSP male 60° cone	26
		FB13B	BSP female swivel 60° cone	28
		FB43B	BSP female swivel 60° cone - 45° elbow	30
		FB93B	BSP female swivel 60° cone - 90° elbow	32
		KM91B	BSP female swivel 60° cone - 90° compact elbow	34
		FO13B	BSP O-ring female swivel 60° cone	35
		FO43B	BSP O-ring female swivel 60° cone - 45° elbow	36
		FO93B	BSP O-ring female swivel 60° cone - 90° elbow	37
		KO92B	BSP O-ring female swivel 60° cone - 90° compact elbow	38
		FP11B	BSP flat face female swivel	39
	BB10B	BSP banjo	40	
	VB10B	BSP banjo bolt	41	
	METRIC	KW15B	Jet wash female swivel "K" type	42
		FQ13B	Metric female swivel (multiseal 24°/60° cone seat)	43
		FQ93B	Metric female swivel - 90° elbow (multiseal 24°/60° cone seat)	44
		FM13B	Metric female swivel (60° cone seat)	45
		FM93B	Metric female swivel - 90° elbow (60° cone seat)	46
		SM10B	Metric standpipe	47
SM40B		Metric standpipe - 45° elbow	48	
SM90B		Metric standpipe - 90° elbow	49	
BM10B	Metric banjo	50		
VM10B	Metric banjo bolt	51		

product	standard	code	description	page
Fitting	METRIC	ML10B	Metric light male (24° cone seat)	52
		FL13B	Metric light female swivel (24° cone seat)	53
		FL43B	Metric light female swivel - 45° elbow (24° cone seat)	55
		FL93B	Metric light female swivel - 90° elbow (24° cone seat)	57
		MS10B	Metric heavy male (24° cone seat)	59
		FS13B	Metric heavy female swivel (24° cone seat)	60
		FS43B	Metric heavy female swivel - 45° elbow (24° cone seat)	62
		FS93B	Metric heavy female swivel - 90° elbow (24° cone seat)	64
	JIC	MJ10B	JIC 37° male	66
		FJ11B	JIC 37° female swivel	68
		FJH11B	JIC 37° female swivel (double hex)	70
		FJ41B	JIC 37° female swivel - 45° elbow	72
		FJ91B	JIC 37° female swivel - 90° elbow	74
		FJ91B-M	JIC 37° female swivel - 90° elbow (medium drop)	76
		FJ91B-L	JIC 37° female swivel - 90° elbow (long drop)	77
		KJ91B	JIC 37° female swivel - 90° compact elbow	79
	ORFS	OM19B	ORFS male	80
		OR13B	ORFS female swivel	81
		OR11B	ORFS short female swivel	83
		OR44B	ORFS female swivel - 45° elbow	84
		OR94B	ORFS female swivel - 90° elbow	86
		OR94B-M	ORFS female swivel - 90° elbow (medium drop)	88
		OR94B-L	ORFS female swivel - 90° elbow (long drop)	89
		SAE	MU10B	SAE 45° male
	FU11B		SAE 45° female swivel	91
	FU91B		SAE 45° female swivel - 90° elbow	92
	ME10B		O-ring boss male	93
	MV10B		O-ring boss male swivel	94
	MV40B		O-ring boss male swivel - 45° elbow	95
	MV90B		O-ring boss male swivel - 90° elbow	96
	KV91B		O-ring boss male swivel - 90° compact elbow	97
	MZ10B		SAE inverted flare male swivel	98
	MZ40B		SAE inverted flare male swivel - 45° elbow	99
MZ90B	SAE inverted flare male swivel - 90° elbow		100	

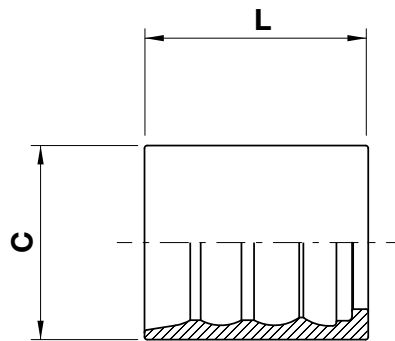
product	standard	code	description	page
Fitting	SAE	MFA10B	SAE flareless male assembly	101
	NPTF NPSM	MN10B	NPTF male (60° cone seat)	102
		MG10B	NPTF male swivel (60° cone seat)	104
		MG90B	NPTF male swivel - 90° elbow (60° cone seat)	105
		KG91B	NPTF male swivel - 90° compact elbow	106
		FN10B	NPTF female rigid	107
		FN11B	NPSM female swivel (60° cone seat)	108
		JIS	FT11B	JIS female swivel japanese "T" style termination 60° cone
	FK11B		Japanese "KOM" style termination female swivel 60° cone	110
	FK41B		Japanese "KOM" style termination female swivel 60° cone - 45° elbow	112
	FK91B		Japanese "KOM" style termination female swivel 60° cone - 90° elbow	113
	AK10B		Japanese "KOM" style termination straight flange (for metric O-ring)	114
	AK40B		Japanese "KOM" style termination - 45° elbow flange (for metric O-ring)	115
	AK90B		Japanese "KOM" style termination - 90° elbow flange (for metric O-ring)	116
	SAE 3000 CODE 61	AX10B	SAE 3000 code 61 straight flange	117
		AX20B	SAE 3000 code 61 - 22,5° elbow flange	118
		AX30B	SAE 3000 code 61 - 30° elbow flange	119
		AX40B	SAE 3000 code 61 - 45° elbow flange	120
		AX60B	SAE 3000 code 61 - 60° elbow flange	121
		AX70B	SAE 3000 code 61 - 67,5° elbow flange	122
		AX90B	SAE 3000 code 61 - 90° elbow flange	123
		AX90B-L	SAE 3000 code 61 - 90° elbow flange (long drop)	125
	SAE 6000 CODE 62	AY10B	SAE 6000 code 62 straight flange	126
		AY40B	SAE 6000 code 62 - 45° elbow flange	127
		AY90B	SAE 6000 code 62 - 90° elbow flange	128
	STAPLE LOCK	ST11B	Staple lock male	129
	-	WO10B	Brazing tale	130





# S0210

## Skive ferrule



FERRULE

**S0210**

S0420

SN03T

SCX0T

S312T

S00TK

S014T

FITTING

code	ø hose			C		L	
	dn	inch	size	mm	in	mm	in
S0210-04	6	1/4"	04	19,0	0,75	28,0	1,10
S0210-05	8	5/16"	05	20,0	0,79	28,6	1,13
S0210-06	10	3/8"	06	23,0	0,91	30,0	1,18
S0210-08	12	1/2"	08	27,0	1,06	32,0	1,26
S0210-10	16	5/8"	10	32,0	1,26	38,0	1,50
S0210-12	19	3/4"	12	36,0	1,42	41,5	1,63
S0210-16	25	1"	16	43,0	1,69	47,0	1,85
S0210-20	31	1.1/4"	20	52,0	2,05	57,0	2,24
S0210-24	38	1.1/2"	24	57,0	2,24	76,0	2,99
S0210-32	51	2"	32	70,0	2,76	80,0	3,15

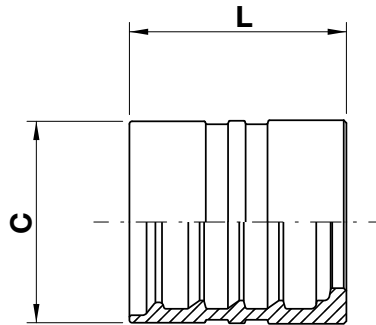
Please refer to our crimping charts for application details of each size

**Skive ferrule for:** EN 853 1SN / SAE 100 R1AT / EN857 2SC / SAE 100 R16 / SAE 100 R17 / SAE 100 R19

**Intertraco hose type:** FlexIT 1T, HT1, SC216, SK216, SK219

# S0420

## Skive ferrule



### FERRULE

S0210

**S0420**

SN03T

SCX0T

S312T

S00TK

S014T

### FITTING

code	ø hose			C		L	
	dn	inch	size	mm	in	mm	in
S0420-04	6	1/4"	04	22,0	0,87	30,0	1,18
S0420-05	8	5/16"	05	24,0	0,94	30,5	1,20
S0420-06	10	3/8"	06	26,0	1,02	32,0	1,26
S0420-08	12	1/2"	08	30,0	1,18	34,5	1,36
S0420-10	16	5/8"	10	33,0	1,30	38,0	1,50
S0420-12	19	3/4"	12	38,0	1,50	40,5	1,59
S0420-16	25	1"	16	46,0	1,81	53,0	2,09
S0420-20	31	1.1/4"	20	55,0	2,17	58,0	2,28
S0420-24	38	1.1/2"	24	62,0	2,44	71,0	2,80
S0420-32	51	2"	32	78,0	3,07	85,0	3,35

Please refer to our crimping charts for application details of each size

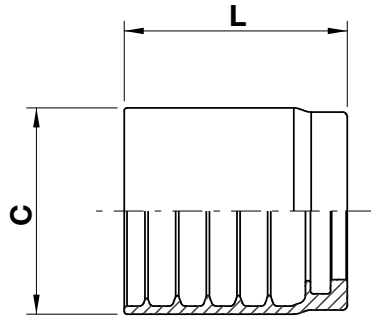
**Skive ferrule for:** EN 853 2SN / SAE 100 R2AT / EN856 4SP / SAE 100 R12 / EN 856 4SH / ISO 18752 / SAE 100 R15

**Intertraco hose type:** FlexIT 2T, HT2, 3T, R4, SHP, H4, F5000, F6000, 4ST, 4ST+

**Bridgestone hose type:** Bridgestone 4ST, 4ST+

# SN03T

## No skive ferrule



FERRULE

S0210  
S0420  
**SN03T**  
SCX0T  
S312T  
S00TK  
S014T

FITTING

code	ø hose			C		L	
	dn	inch	size	mm	in	mm	in
SN03T-03	5	3/16"	03	20,0	0,79	25,7	1,01
SN03T-04	6	1/4"	04	23,0	0,91	30,0	1,18
SN03T-05	8	5/16"	05	24,0	0,94	30,5	1,20
SN03T-06	10	3/8"	06	26,0	1,02	31,5	1,24
SN03T-08	12	1/2"	08	29,0	1,14	33,5	1,32
SN03T-10	16	5/8"	10	32,0	1,26	36,0	1,42
SN03T-12	19	3/4"	12	37,0	1,46	40,0	1,57
SN03T-16	25	1"	16	46,0	1,81	50,0	1,97
SN03T-20	31	1.1/4"	20	59,0	2,32	59,0	2,32
SN03T-24	38	1.1/2"	24	67,0	2,64	67,0	2,64
SN03T-32	51	2"	32	80,0	3,15	82,0	3,23
SN03T-40	63	2.1/2"	40	88,3	3,48	80,0	3,15
SN03T-48	76	3"	48	103,0	4,06	87,5	3,44

Please refer to our crimping charts for application details of each size

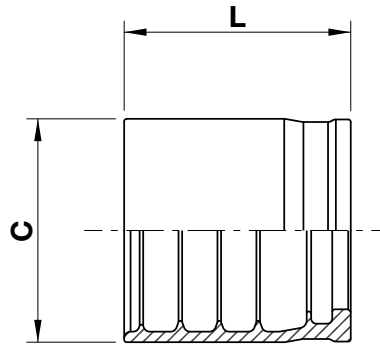
**No skive ferrule for:** EN 853 1SN / SAE 100 R1AT / EN 853 2SN / SAE 100 R2AT / EN 857 2SC / SAE 100 R16 / SAE 100 R17 / SAE 100 R19 / SAE 100 R4

**Intertraco hose type:** FlexIT 1T, 2T, HT1, HT2, SC216, SK216, SK219, JF10K, R4, JW2K

**Bridgestone hose type:** Bridgestone R2K

# SCX0T

## No skive ferrule



### FERRULE

S0210

S0420

SN03T

**SCX0T**

S312T

S00TK

S014T

### FITTING

code	ø hose			C		L	
	dn	inch	size	mm	in	mm	in
SCX0T-04	6	1/4"	04	20,0	0,79	23,5	0,92
SCX0T-05	8	5/16"	05	22,0	0,87	24,3	0,96
SCX0T-06	10	3/8"	06	24,0	0,94	25,0	0,98
SCX0T-08	12	1/2"	08	28,0	1,10	28,0	1,10
SCX0T-10	16	5/8"	10	32,0	1,26	31,0	1,22
SCX0T-12	19	3/4"	12	35,0	1,38	35,5	1,40
SCX0T-16	25	1"	16	44,0	1,73	48,0	1,89

Please refer to our crimping charts for application details of each size

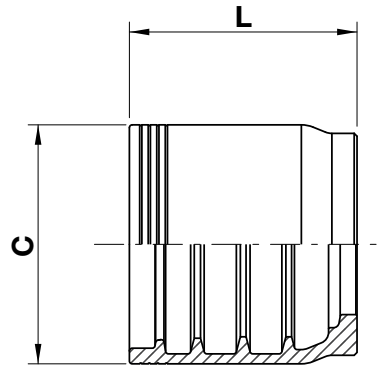
**No skive ferrule for:** EN 853 1SN / SAE 100 R1AT / EN 853 2SN / SAE 100 R2AT / EN 857 1SC / SAE 100 R17 / EN 857 2SC / SAE 100 R16 / SAE 100 R19

**Intertraco hose type:** FlexIT 1T, HT2, SC117, SK117, SC216, SK216, SK119, SK219, PT, JW1K

**Bridgestone hose type:** Bridgestone R1K

# S312T

## No skive ferrule



FERRULE

- S0210
- S0420
- SN03T
- SCX0T
- S312T**
- S00TK
- S014T

FITTING

code	ø hose			C		L	
	dn	inch	size	mm	in	mm	in
S312T-06	10	3/8"	06	29,0	1,14	30,0	1,18
S312T-08	12	1/2"	08	33,0	1,30	33,5	1,32
S312T-10	16	5/8"	10	37,0	1,46	35,5	1,40
S312T-12	19	3/4"	12	42,0	1,65	40,0	1,57
S312T-16	25	1"	16	50,0	1,97	55,0	2,16
S312T-20	31	1.1/4"	20	61,0	2,40	61,0	2,40
S312T-24	38	1.1/2"	24	70,0	2,75	71,0	2,79
S312T-32	51	2"	32	85,0	3,35	88,0	3,46

Please refer to our crimping charts for application details of each size

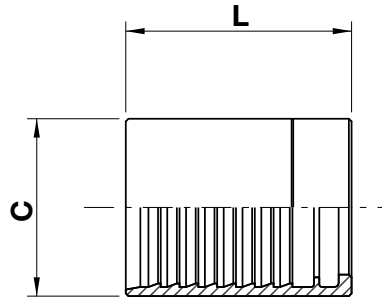
**No skive ferrule for:** EN 856 4SP / SAE 100 R12 / EN 856 4SH / ISO 18752 / SAE 100 R15

**Intertraco hose type:** FlexIT 3T, SHP, H4, F5000, F6000, 4ST, 4ST+

**Bridgestone hose type:** Bridgestone 4ST, 4ST+

# S00TK

## No skive ferrule



### FERRULE

S0210

S0420

SN03T

SCX0T

S312T

**S00TK**

S014T

### FITTING

code	ø hose			C		L	
	dn	inch	size	mm	in	mm	in
S00TK-03	5	3/16"	03	14,0	0,55	25,4	1,00
S00TK-04	6	1/4"	04	16,0	0,63	29,5	1,16
S00TK-05	8	5/16"	05	19,0	0,75	29,5	1,16
S00TK-06	10	3/8"	06	21,0	0,83	32,1	1,26
S00TK-08	12	1/2"	08	26,0	1,02	32,7	1,29
S00TK-10	16	5/8"	10	30,0	1,18	37,0	1,46
S00TK-12	19	3/4"	12	33,0	1,30	42,0	1,65
S00TK-16	25	1"	16	40,0	1,57	52,0	2,05

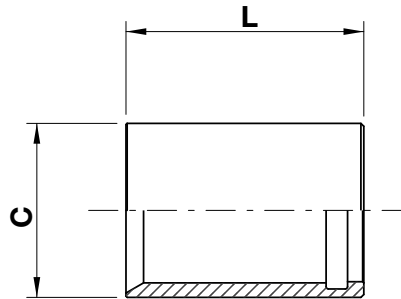
Please refer to our crimping charts for application details of each size

**No skive ferrule for:** SAE 100 R6 / SAE 100 R7

**Intertraco hose type:** FlexIT PT, EZ-LOCK, T7

# S014T

## No skive ferrule



FERRULE

- S0210
- S0420
- SN03T
- SCX0T
- S312T
- S00TK
- S014T**

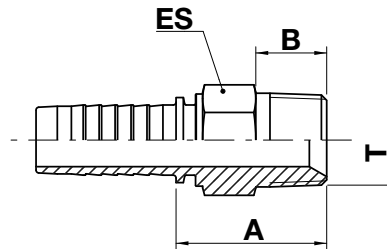
FITTING

code	ø hose			C		L	
	dn	inch	size	mm	in	mm	in
S014T-02	3	1/8"	02	14,0	0,55	17,0	0,67
S014T-03	5	3/16"	03	14,0	0,55	26,0	1,02
S014T-04	6	1/4"	04	15,0	0,59	30,0	1,18
S014T-05	8	5/16"	05	17,0	0,67	30,0	1,18
S014T-06	10	3/8"	06	19,0	0,75	32,0	1,26
S014T-08	12	1/2"	08	24,0	0,94	34,0	1,34
S014T-10	16	5/8"	10	28,0	1,10	37,0	1,46
S014T-12	19	3/4"	12	30,0	1,18	41,0	1,61
S014T-16	25	1"	16	38,0	1,50	45,0	1,77

Please refer to our crimping charts for application details of each size

No skive ferrule for Intertraco hose type: FlexIT T14

# MT10B

**BSPT tapered male 60° cone**
**NO SKIVE / EXTERNAL SKIVE**


FERRULE

**FITTING**
**BSP-BSPT**

METRIC

JIC

ORFS

SAE

NPTF-NPSM

JIS

SAE 3000 CODE 61

SAE 6000 CODE 62

STAPLE LOCK

code	ø hose			T	A		B		ES		
	dn	inch	size		mm	in	mm	in	mm	in	↻ in
MT10B-03-02	5	3/16"	03	1/8"-28	23,0	0,90	12,0	0,47	12,0	0,472	1/2"
MT10B-03-04	5	3/16"	03	1/4"-19	25,5	1,00	14,0	0,55	14,0	0,551	9/16"
MT10B-04-02	6	1/4"	04	1/8"-28	24,5	0,96	12,0	0,47	12,0	0,472	1/2"
MT10B-04-04	6	1/4"	04	1/4"-19	26,5	1,04	14,0	0,55	14,0	0,551	9/16"
MT10B-04-06	6	1/4"	04	3/8"-19	29,0	1,14	15,0	0,59	19,0	0,748	3/4"
MT10B-05-06	8	5/16"	05	3/8"-19	29,0	1,14	15,0	0,59	19,0	0,748	3/4"
MT10B-06-04	10	3/8"	06	1/4"-19	24,5	0,96	14,0	0,55	14,0	0,551	9/16"
MT10B-06-06	10	3/8"	06	3/8"-19	29,0	1,14	15,0	0,59	19,0	0,748	3/4"
MT10B-06-08	10	3/8"	06	1/2"-14	32,0	1,26	18,0	0,71	22,0	0,866	7/8"
MT10B-08-06	12	1/2"	08	3/8"-19	27,5	1,08	15,0	0,59	19,0	0,748	3/4"
MT10B-08-08	12	1/2"	08	1/2"-14	32,5	1,28	18,0	0,71	22,0	0,866	7/8"
MT10B-08-12	12	1/2"	08	3/4"-14	37,0	1,46	20,0	0,79	27,0	1,063	1.1/16"
MT10B-10-10	16	5/8"	10	5/8"-14	36,0	1,42	19,0	0,75	24,0	0,945	15/16"
MT10B-10-12	16	5/8"	10	3/4"-14	42,0	1,65	20,0	0,79	27,0	1,063	1.1/16"
MT10B-12-12	19	3/4"	12	3/4"-14	42,5	1,67	20,0	0,79	27,0	1,063	1.1/16"
MT10B-12-16	19	3/4"	12	1"-11	45,5	1,79	23,0	0,91	36,0	1,417	1.7/16"
MT10B-16-16	25	1"	16	1"-11	47,0	1,85	23,0	0,91	36,0	1,417	1.7/16"
MT10B-20-20	31	1.1/4"	20	1.1/4"-11	50,0	1,97	25,0	0,98	46,0	1,811	1.13/16"
MT10B-24-24	38	1.1/2"	24	1.1/2"-11	53,0	2,10	28,0	1,10	50,0	1,969	2"
MT10B-32-32	51	2"	32	2"-11	60,0	2,36	28,0	1,10	60,0	2,362	2.3/8"

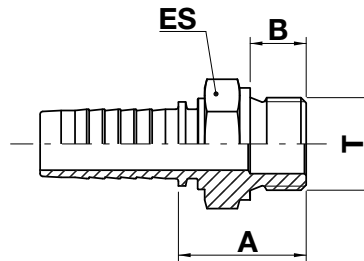


# MP10B

**BSP flat face male**

**NO SKIVE / EXTERNAL SKIVE**

DIN 3852-2



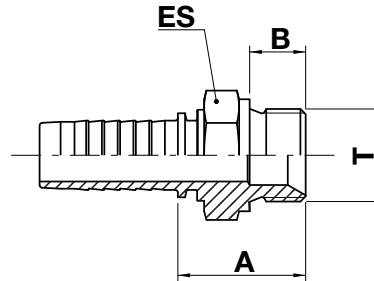
.....  
FERRULE  
.....  
**FITTING**  
**BSP-BSPT**  
METRIC  
JIC  
ORFS  
SAE  
NPTF-NPSM  
JIS  
SAE 3000 CODE 61  
SAE 6000 CODE 62  
STAPLE LOCK

code	ø hose			T	A		B		ES		
	dn	inch	size		mm	in	mm	in	mm	in	in
MP10B-04-04	6	1/4"	04	1/4"-19	26,5	1,04	11,0	0,43	19,0	0,748	3/4"
MP10B-06-06	10	3/8"	06	3/8"-19	28,5	1,12	12,0	0,47	22,0	0,866	7/8"
MP10B-06-08	10	3/8"	06	1/2"-14	33,5	1,32	14,0	0,55	27,0	1,063	1.1/16"
MP10B-08-06	12	1/2"	08	3/8"-19	28,0	1,10	12,0	0,47	24,0	0,945	15/16"
MP10B-08-08	12	1/2"	08	1/2"-14	32,0	1,26	14,0	0,55	27,0	1,063	1.1/16"
MP10B-08-12	12	1/2"	08	3/4"-14	33,0	1,30	16,0	0,63	32,0	1,260	1.1/4"
MP10B-10-10	16	5/8"	10	5/8"-14	33,5	1,32	14,0	0,55	27,0	1,063	1.1/16"
MP10B-12-12	19	3/4"	12	3/4"-14	36,5	1,44	16,0	0,63	32,0	1,260	1.1/4"
MP10B-16-16	25	1"	16	1"-11	42,0	1,65	19,0	0,74	41,0	1,614	1.1/2"

# MB10B

**BSP male 60° cone****NO SKIVE / EXTERNAL SKIVE**

ISO 8434-6 / BS 5200



FERRULE

FITTING

**BSP-BSPT**

METRIC

JIC

ORFS

SAE

NPTF-NPSM

JIS

SAE 3000 CODE 61


SAE 6000 CODE 62

STAPLE LOCK

code	ø hose			T	A		B		ES		
	dn	inch	size		mm	in	mm	in	mm	in	 in
MB10B-03-02	5	3/16"	03	1/8"-28	21,5	0,85	8,0	0,31	14,0	0,551	9/16"
MB10B-03-04	5	3/16"	03	1/4"-19	30,5	1,20	11,0	0,43	19,0	0,748	3/4"
MB10B-04-02	6	1/4"	04	1/8"-28	22,0	0,87	8,0	0,31	14,0	0,551	9/16"
MB10B-04-04	6	1/4"	04	1/4"-19	26,5	1,04	11,0	0,43	19,0	0,748	3/4"
MB10B-04-06	6	1/4"	04	3/8"-19	28,0	1,10	12,0	0,47	22,0	0,866	7/8"
MB10B-04-08	6	1/4"	04	1/2"-14	35,5	1,40	14,0	0,55	27,0	1,063	1.1/16"
MB10B-05-04	8	5/16"	05	1/4"-19	26,0	1,02	11,0	0,43	19,0	0,748	3/4"
MB10B-05-06	8	5/16"	05	3/8"-19	28,5	1,12	12,0	0,47	22,0	0,866	7/8"
MB10B-05-08	8	5/16"	05	1/2"-14	33,0	1,30	14,0	0,55	27,0	1,063	1.1/16"
MB10B-06-04	10	3/8"	06	1/4"-19	26,5	1,04	11,0	0,43	19,0	0,748	3/4"
MB10B-06-06	10	3/8"	06	3/8"-19	28,5	1,12	12,0	0,47	22,0	0,866	7/8"
MB10B-06-08	10	3/8"	06	1/2"-14	33,5	1,32	14,0	0,55	27,0	1,063	1.1/16"
MB10B-08-06	12	1/2"	08	3/8"-19	29,0	1,14	12,0	0,47	22,0	0,866	7/8"
MB10B-08-08	12	1/2"	08	1/2"-14	34,0	1,34	14,0	0,55	27,0	1,063	1.1/16"
MB10B-08-10	12	1/2"	08	5/8"-14	36,5	1,44	16,0	0,63	30,0	1,181	1.3/16"
MB10B-08-12	12	1/2"	08	3/4"-14	39,0	1,53	16,0	0,63	32,0	1,260	1.1/4"
MB10B-10-08	16	5/8"	10	1/2"-14	33,0	1,30	14,0	0,55	27,0	1,063	1.1/16"
MB10B-10-10	16	5/8"	10	5/8"-14	33,5	1,32	16,0	0,63	30,0	1,181	1.3/16"
MB10B-10-12	16	5/8"	10	3/4"-14	36,0	1,42	16,0	0,63	32,0	1,260	1.1/4"



← **MB10B**

code	ø hose			T	A		B		ES		
	dn	inch	size		mm	in	mm	in	mm	in	 in
MB10B-12-08	19	3/4"	12	1/2"-14	34,5	1,36	14,0	0,55	27,0	1,063	1.1/16"
MB10B-12-12	19	3/4"	12	3/4"-14	36,5	1,44	16,0	0,63	32,0	1,260	1.1/4"
MB10B-12-16	19	3/4"	12	1"-11	40,5	1,59	19,0	0,75	41,0	1,614	1.5/8"
MB10B-16-16	25	1"	16	1"-11	42,0	1,65	19,0	0,75	41,0	1,614	1.5/8"
MB10B-16-20	25	1"	16	1.1/4"-11	47,0	1,85	20,0	0,79	50,0	1,969	2"
MB10B-20-20	31	1.1/4"	20	1.1/4"-11	48,0	1,89	20,0	0,79	50,0	1,969	2"
MB10B-24-24	38	1.1/2"	24	1.1/2"-11	50,0	1,97	22,0	0,87	55,0	2,165	2.3/16"
MB10B-32-32	51	2"	32	2"-11	63,5	2,5	25,0	0,98	70,0	2,756	2.3/4"

- .....
- FERRULE
- .....
- FITTING**
- BSP-BSPT**
- METRIC
- JIC
- ORFS
- SAE
- NPTF-NPSM
- JIS
- SAE 3000 CODE 61
- SAE 6000 CODE 62
- STAPLE LOCK



**FB13B** FB11B FB12B**BSP female swivel 60° cone**

NO SKIVE / EXTERNAL SKIVE

ISO 8434-6 / BS 5200

FERRULE

**FITTING****BSP-BSPT**

METRIC

JIC

ORFS

SAE

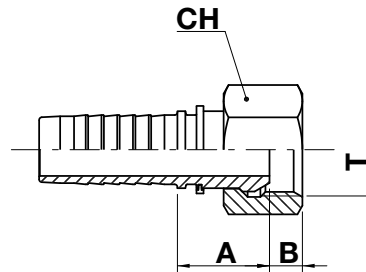
NPTF-NPSM

JIS

SAE 3000 CODE 61

SAE 6000 CODE 62


STAPLE LOCK



code	ø hose			T	A		B		CH		
	dn	inch	size		mm	in	mm	in	mm	in	in
FB11B-03-02	5	3/16"	03	1/8"-28	14,3	0,56	5,5	0,28	14,0	0,551	9/16"
FB13B-03-04	5	3/16"	03	1/4"-19	16,8	0,66	4,2	0,17	19,0	0,748	3/4"
FB11B-04-02	6	1/4"	04	1/8"-28	15,0	0,59	5,5	0,22	14,0	0,551	9/16"
FB11B-04-04	6	1/4"	04	1/4"-19	18,0	0,71	4,2	0,17	19,0	0,748	3/4"
FB13B-04-04	6	1/4"	04	1/4"-19	17,5	0,69	4,2	0,17	19,0	0,748	3/4"
FB11B-04-06	6	1/4"	04	3/8"-19	20,5	0,81	6,0	0,24	22,0	0,866	7/8"
FB13B-04-06	6	1/4"	04	3/8"-19	18,5	0,73	6,0	0,24	22,0	0,866	7/8"
FB11B-05-04	8	5/16"	05	1/4"-19	17,8	0,70	4,2	0,17	19,0	0,748	3/4"
FB13B-05-06	8	5/16"	05	3/8"-19	18,5	0,73	6,0	0,24	22,0	0,866	7/8"
FB11B-05-08	8	5/16"	05	1/2"-14	21,5	0,85	7,0	0,28	27,0	1,063	1.1/16"
FB11B-06-04	10	3/8"	06	1/4"-19	17,5	0,69	4,2	0,17	19,0	0,748	3/4"
FB11B-06-06	10	3/8"	06	3/8"-19	18,5	0,73	6,0	0,24	22,0	0,866	7/8"
FB13B-06-06	10	3/8"	06	3/8"-19	18,5	0,73	6,0	0,24	22,0	0,866	7/8"
FB13B-06-08	10	3/8"	06	1/2"-14	20,5	0,81	6,5	0,26	27,0	1,063	1.1/16"
FB11B-08-06	12	1/2"	08	3/8"-19	19,0	0,75	6,0	0,24	22,0	0,866	7/8"
FB11B-08-08	12	1/2"	08	1/2"-14	20,0	0,79	7,0	0,28	27,0	1,063	1.1/16"
FB13B-08-08	12	1/2"	08	1/2"-14	21,0	0,83	6,5	0,26	27,0	1,063	1.1/16"
FB11B-08-10	12	1/2"	08	5/8"-14	18,0	0,71	9,5	0,37	27,0	1,063	1.1/16"
FB11B-08-12	12	1/2"	08	3/4"-14	23,0	0,91	8,7	0,34	32,0	1,260	1.1/4"

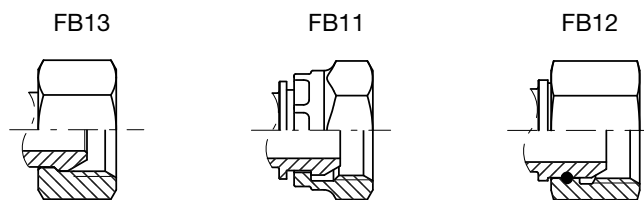


← **FB13B FB11B FB12B**

code	ø hose			T	A		B		CH		
	dn	inch	size		mm	in	mm	in	mm	in	 in
FB11B-10-10	16	5/8"	10	5/8"-14	18,0	0,71	9,5	0,37	27,0	1,063	1.1/16"
FB11B-10-12	16	5/8"	10	3/4"-14	21,3	0,84	8,7	0,34	32,0	1,260	1.1/4"
FB11B-12-12	19	3/4"	12	3/4"-14	21,8	0,86	8,7	0,34	32,0	1,260	1.1/4"
FB12B-12-16	19	3/4"	12	1"-11	27,0	1,06	10,5	0,41	38,0	1,496	1.1/2"
FB12B-16-16	25	1"	16	1"-11	28,5	1,12	10,5	0,41	38,0	1,496	1.1/2"
FB12B-16-20	25	1"	16	1.1/4"-11	37,0	1,46	10,0	0,39	50,0	1,969	2"
FB12B-20-20	31	1.1/4"	20	1.1/4"-11	36,0	1,42	10,0	0,39	50,0	1,969	2"
FB12B-20-24	31	1.1/4"	20	1.1/2"-11	37,5	1,48	12,0	0,47	55,0	2,165	2.3/16"
FB12B-24-24	38	1.1/2"	24	1.1/2"-11	35,8	1,41	12,0	0,47	55,0	2,165	2.3/16"
FB12B-32-24	51	2"	32	1.1/2"-11	39,0	1,53	12,0	0,47	55,0	2,165	2.3/16"
FB12B-32-32	51	2"	32	2"-11	40,0	1,57	16,0	0,63	70,0	2,756	2.3/4"

.....  
 FERRULE  
 .....  
**FITTING**  
**BSP-BSPT**  
 METRIC  
 JIC  
 ORFS  
 SAE  
 NPTF-NPSM  
 JIS  
 SAE 3000 CODE 61  
 SAE 6000 CODE 62  
 STAPLE LOCK

**Nut type**



# FB43B

FB41B FB42B



## BSP female swivel 60° cone - 45° elbow

NO SKIVE / EXTERNAL SKIVE

ISO 8434-6 / BS 5200

FERRULE

### FITTING

**BSP-BSPT**

METRIC

JIC

ORFS

SAE

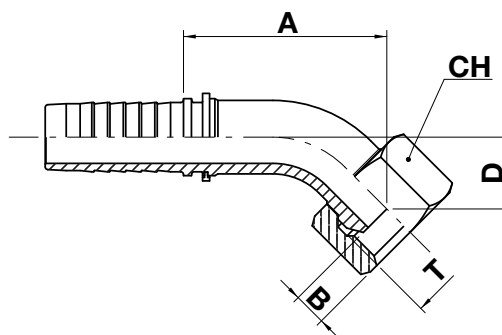
NPTF-NPSM

JIS

SAE 3000 CODE 61

SAE 6000 CODE 62

STAPLE LOCK



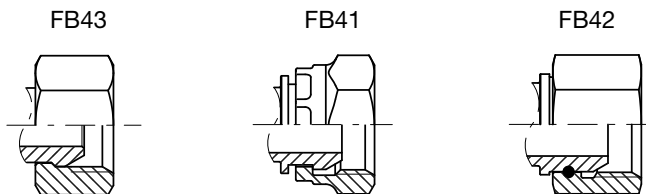
code	ø hose			T	A		B		D		CH		
	dn	inch	size		mm	in	mm	in	mm	in	mm	in	↻ in
FB41B-03-02	5	3/16"	03	1/8"-28	33,5	1,32	5,5	0,22	13,7	0,54	14,0	0,551	9/16"
FB41B-04-04	6	1/4"	04	1/4"-19	34,0	1,34	4,2	0,17	15,0	0,59	19,0	0,748	3/4"
FB43B-04-04	6	1/4"	04	1/4"-19	32,5	1,28	4,2	0,17	13,0	0,51	19,0	0,748	3/4"
FB43B-04-06	6	1/4"	04	3/8"-19	34,2	1,34	6,0	0,24	14,4	0,57	22,0	0,866	7/8"
FB41B-05-06	8	5/16"	05	3/8"-19	42,5	1,67	6,0	0,24	19,0	0,75	22,0	0,866	7/8"
FB41B-06-06	10	3/8"	06	3/8"-19	41,0	1,61	6,0	0,24	17,0	0,67	22,0	0,866	7/8"
FB43B-06-06	10	3/8"	06	3/8"-19	37,6	1,48	6,0	0,24	14,6	0,58	22,0	0,866	7/8"
FB43B-06-08	10	3/8"	06	1/2"-14	38,6	1,52	6,5	0,26	15,8	0,62	27,0	1,063	1.1/16"
FB41B-08-08	12	1/2"	08	1/2"-14	48,0	1,89	7,0	0,28	20,0	0,79	27,0	1,063	1.1/16"
FB43B-08-08	12	1/2"	08	1/2"-14	45,9	1,81	6,5	0,26	18,0	0,71	27,0	1,063	1.1/16"
FB41B-10-10	16	5/8"	10	5/8"-14	60,5	2,38	9,5	0,37	23,3	0,92	30,0	1,181	1.3/16"
FB41B-10-12	16	5/8"	10	3/4"-14	64,0	2,52	8,7	0,34	26,9	1,06	32,0	1,260	1.1/4"
FB41B-12-12	19	3/4"	12	3/4"-14	67,4	2,66	8,7	0,34	26,9	1,06	32,0	1,260	1.1/4"
FB42B-12-16	19	3/4"	12	1"-11	73,8	2,91	10,5	0,41	33,2	1,31	38,0	1,496	1.1/2"
FB42B-16-16	25	1"	16	1"-11	83,6	3,29	10,5	0,41	33,8	1,33	38,0	1,496	1.1/2"
FB42B-16-20	25	1"	16	1.1/4"-11	92,3	3,63	10,0	0,39	41,7	1,64	50,0	1,969	2"
FB42B-20-20	31	1.1/4"	20	1.1/4"-11	97,0	3,82	10,0	0,39	37,5	1,48	50,0	1,969	2"
FB42B-20-24	31	1.1/4"	20	1.1/2"-11	102,0	4,02	12,0	0,47	42,1	1,66	55,0	2,165	2.3/16"



← **FB43B FB41B FB42B**

code	ø hose			T	A		B		D		CH		
	dn	inch	size		mm	in	mm	in	mm	in	mm	in	↻ in
FB42B-24-24	38	1.1/2"	24	1.1/2"-11	119,0	4,69	12,0	0,47	49,2	1,94	55,0	2,165	2.3/16"
FB42B-32-32	51	2"	32	2"-11	149,8	5,9	16,0	0,63	60,0	2,36	70,0	2,756	2.3/4"

**Nut type**



- .....
- FERRULE
- .....
- FITTING**
- BSP-BSPT**
- METRIC
- JIC
- ORFS
- SAE
- NPTF-NPSM
- JIS
- SAE 3000 CODE 61
- SAE 6000 CODE 62
- STAPLE LOCK



# FB93B

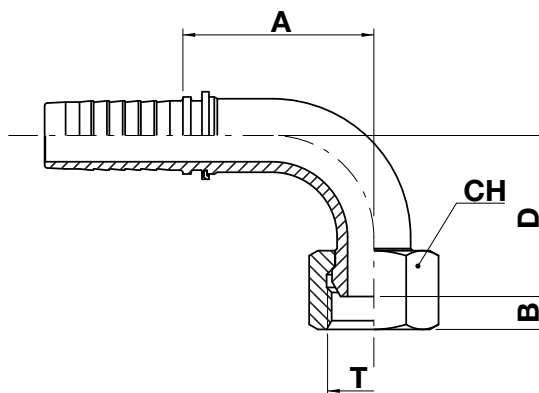
FB91B FB92B



## BSP female swivel 60° cone - 90° elbow

NO SKIVE / EXTERNAL SKIVE

ISO 8434-6 / BS 5200



FERRULE

## FITTING

**BSP-BSPT**

METRIC

JIC

ORFS

SAE

NPTF-NPSM

JIS

SAE 3000 CODE 61

SAE 6000 CODE 62

STAPLE LOCK

code	ø hose			T	A		B		D		CH		
	dn	inch	size		mm	in	mm	in	mm	in	mm	in	↻ in
FB91B-03-02	5	3/16"	03	1/8"-28	27,5	1,08	5,5	0,22	28,5	1,12	14,0	0,551	9/16"
FB91B-04-02	6	1/4"	04	1/8"-28	31,5	1,24	5,5	0,22	28,5	1,12	14,0	0,551	9/16"
FB91B-04-04	6	1/4"	04	1/4"-19	25,5	1,00	4,2	0,17	29,0	1,14	19,0	0,748	3/4"
FB93B-04-04	6	1/4"	04	1/4"-19	27,6	1,09	4,2	0,17	27,5	1,08	19,0	0,748	3/4"
FB93B-04-06	6	1/4"	04	3/8"-19	28,0	1,10	6,0	0,24	29,5	1,16	22,0	0,866	7/8"
FB93B-05-06	8	5/16"	05	3/8"-19	32,5	1,28	6,0	0,24	30,0	1,18	22,0	0,866	7/8"
FB91B-06-06	10	3/8"	06	3/8"-19	31,5	1,24	6,0	0,24	33,5	1,32	22,0	0,866	7/8"
FB93B-06-06	10	3/8"	06	3/8"-19	31,5	1,24	6,0	0,24	29,5	1,16	22,0	0,866	7/8"
FB93B-06-08	10	3/8"	06	1/2"-14	30,3	1,19	6,5	0,26	31,2	1,23	27,0	1,063	1.1/16"
FB91B-08-08	12	1/2"	08	1/2"-14	38,5	1,52	7,0	0,28	40,5	1,59	27,0	1,063	1.1/16"
FB93B-08-08	12	1/2"	08	1/2"-14	37,2	1,47	6,5	0,26	36,0	1,42	27,0	1,063	1.1/16"
FB91B-08-10	12	1/2"	08	5/8"-14	45,0	1,77	9,5	0,37	42,3	1,65	30,0	1,181	1.3/16"
FB91B-10-10	16	5/8"	10	5/8"-14	54,0	2,13	9,5	0,37	50,0	1,97	30,0	1,181	1.3/16"
FB91B-10-12	16	5/8"	10	3/4"-14	54,0	2,13	8,7	0,34	55,0	2,17	32,0	1,260	1.1/4"
FB91B-12-12	19	3/4"	12	3/4"-14	55,5	2,19	8,7	0,34	55,0	2,17	32,0	1,260	1.1/4"
FB92B-12-16	19	3/4"	12	1"-11	60,5	2,38	10,5	0,41	64,0	2,52	38,0	1,496	1.1/2"
FB91B-16-12	25	1"	16	3/4"-14	62,5	2,46	8,7	0,34	55,0	2,17	32,0	1,260	1.1/4"
FB92B-16-16	25	1"	16	1"-11	72,0	2,83	10,5	0,41	71,0	2,80	38,0	1,496	1.1/2"
FB92B-16-20	25	1"	16	1.1/4"-11	79,5	3,13	10,0	0,39	83,0	3,27	50,0	1,969	2"



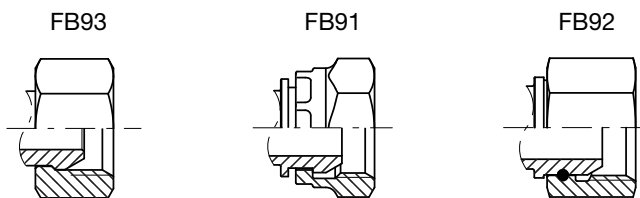


← **FB93B FB91B FB92B**

code	ø hose			T	A		B		D		CH		
	dn	inch	size		mm	in	mm	in	mm	in	mm	in	↻ in
FB92B-20-20	31	1.1/4"	20	1.1/4"-11	85,5	3,37	10,0	0,39	77,0	3,03	50,0	1,969	2"
FB92B-24-24	38	1.1/2"	24	1.1/2"-11	102,0	4,02	12,0	0,47	100,0	3,94	55,0	2,165	2.3/16"
FB92B-32-32	51	2"	32	2"-11	132,0	5,20	16,0	0,63	128,0	5,04	70,0	2,756	2.3/4"

- .....
- FERRULE
- .....
- FITTING**
- BSP-BSPT**
- METRIC
- JIC
- ORFS
- SAE
- NPTF-NPSM
- JIS
- SAE 3000 CODE 61
- SAE 6000 CODE 62
- STAPLE LOCK

**Nut type**



# KM91B

**BSP female swivel 60° cone - 90° compact elbow**

NO SKIVE / EXTERNAL SKIVE

ISO 8434-6 / BS 5200

FERRULE

FITTING

**BSP-BSPT**

METRIC

JIC

ORFS

SAE

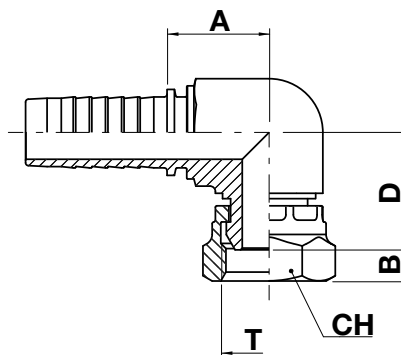
NPTF-NPSM

JIS

SAE 3000 CODE 61

SAE 6000 CODE 62

STAPLE LOCK



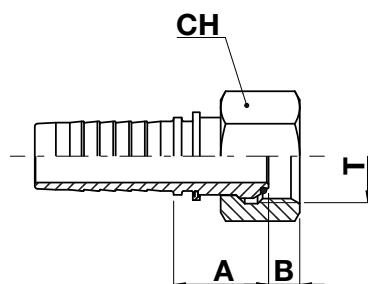
code	ø hose			T	A		B		D		CH		
	dn	inch	size		mm	in	mm	in	mm	in	mm	in	↻ in
KM91B-04-04	6	1/4"	04	1/4"-19	18,5	0,73	6,5	0,26	22,6	0,89	19,0	0,748	3/4"
KM91B-06-06	10	3/8"	06	3/8"-19	21,5	0,85	6,5	0,26	25,5	1,00	22,0	0,866	7/8"
KM91B-08-08	12	1/2"	08	1/2"-14	25,0	0,98	9,0	0,35	28,5	1,12	27,0	1,063	1.1/16"
KM91B-10-10	16	5/8"	10	5/8"-14	27,0	1,06	9,0	0,35	27,5	1,08	30,0	1,181	1.1/8"
KM91B-12-12	19	3/4"	12	3/4"-14	28,5	1,12	8,7	0,34	32,8	1,29	32,0	1,260	1.1/4"
KM91B-16-16	25	1"	16	1"-11	34,0	1,34	10,5	0,41	37,5	1,48	41,0	1,614	1.1/2"

# FO13B FO12B

## BSP O-ring female swivel 60° cone

NO SKIVE / EXTERNAL SKIVE

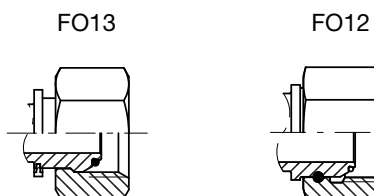
ISO 8434-6 / BS 5200



.....  
FERRULE  
.....  
**FITTING**  
**BSP-BSPT**  
METRIC  
JIC  
ORFS  
SAE  
NPTF-NPSM  
JIS  
SAE 3000 CODE 61  
SAE 6000 CODE 62  
STAPLE LOCK

code	ø hose			T	A		B		CH		
	dn	inch	size		mm	in	mm	in	mm	in	↻ in
FO13B-04-04	6	1/4"	04	1/4"-19	17,5	0,69	4,2	0,17	19,0	0,748	3/4"
FO13B-04-06	6	1/4"	04	3/8"-19	19,0	0,75	6,1	0,24	22,0	0,866	7/8"
FO13B-06-06	10	3/8"	06	3/8"-19	19,0	0,75	6,1	0,24	22,0	0,866	7/8"
FO13B-08-08	12	1/2"	08	1/2"-14	21,0	0,83	6,5	0,26	27,0	1,063	1.1/16"
FO12B-10-10	16	5/8"	10	5/8"-14	21,5	0,85	9,5	0,37	30,0	1,181	1.3/16"
FO12B-12-12	19	3/4"	12	3/4"-14	24,0	0,94	8,7	0,34	32,0	1,260	1.1/4"
FO12B-12-16	19	3/4"	12	1"-11	27,0	1,06	10,5	0,41	38,0	1,496	1.1/2"
FO12B-16-16	25	1"	16	1"-11	28,5	1,12	10,5	0,41	38,0	1,496	1.1/2"
FO12B-16-20	25	1"	16	1.1/4"-11	36,0	1,42	10,0	0,39	50,0	1,969	2"
FO12B-20-20	31	1.1/4"	20	1.1/4"-11	35,0	1,38	10,0	0,39	50,0	1,969	2"
FO12B-20-24	31	1.1/4"	20	1.1/2"-11	37,8	1,49	12,0	0,47	55,0	2,165	2.3/16"
FO12B-24-24	38	1.1/2"	24	1.1/2"-11	35,8	1,41	12,0	0,47	55,0	2,165	2.3/16"
FO12B-24-32	38	1.1/2"	24	2"-11	37,8	1,49	16,0	0,63	70,0	2,756	2.3/4"
FO12B-32-32	51	2"	32	2"-11	39,8	1,57	16,0	0,63	70,0	2,756	2.3/4"

### Nut type



## FO43B FO42B

### BSP O-ring female swivel 60° cone - 45° elbow

NO SKIVE / EXTERNAL SKIVE

ISO 8434-6 / BS 5200

FERRULE

FITTING

**BSP-BSPT**

METRIC

JIC

ORFS

SAE

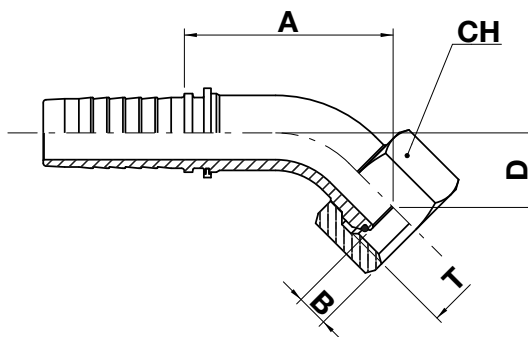
NPTF-NPSM

JIS

SAE 3000 CODE 61

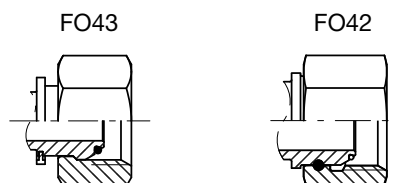
SAE 6000 CODE 62

STAPLE LOCK



code	ø hose			T	A		B		D		CH		
	dn	inch	size		mm	in	mm	in	mm	in	mm	in	↻ in
FO43B-04-04	6	1/4"	04	1/4"-19	32,5	1,28	4,2	0,17	13,0	0,51	19,0	0,748	3/4"
FO43B-06-06	10	3/8"	06	3/8"-19	37,7	1,48	6,1	0,24	15,0	0,59	22,0	0,866	7/8"
FO43B-08-08	12	1/2"	08	1/2"-14	46,0	1,81	6,5	0,26	18,0	0,71	27,0	1,063	1.1/16"
FO42B-10-10	16	5/8"	10	5/8"-14	63,0	2,48	9,5	0,37	26,0	1,02	30,0	1,181	1.3/16"
FO42B-12-12	19	3/4"	12	3/4"-14	68,9	2,71	8,7	0,34	28,3	1,11	32,0	1,260	1.1/4"
FO42B-16-16	25	1"	16	1"-11	83,6	3,29	10,5	0,41	33,8	1,33	38,0	1,496	1.1/2"
FO42B-20-20	31	1.1/4"	20	1.1/4"-11	97,0	3,82	10,0	0,39	37,5	1,48	50,0	1,969	2"
FO42B-24-24	38	1.1/2"	24	1.1/2"-11	119,0	4,69	12,0	0,47	49,2	1,94	55,0	2,165	2.3/16"
FO42B-32-32	51	2"	32	2"-11	142,2	5,60	16,0	0,63	59,6	2,35	70,0	2,756	2.3/4"

### Nut type

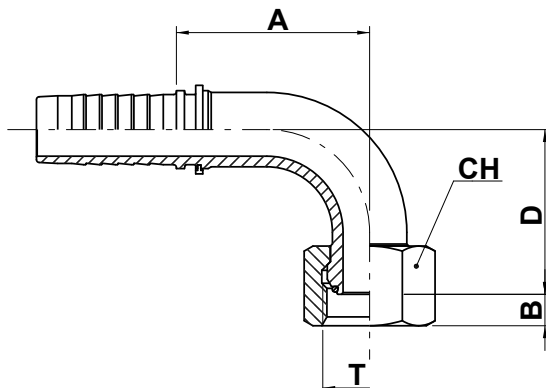


# FO93B FO92B

## BSP O-ring female swivel 60° cone - 90° elbow

NO SKIVE / EXTERNAL SKIVE

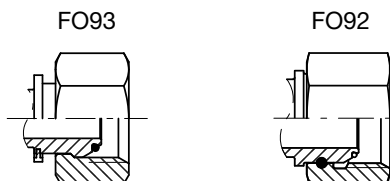
ISO 8434-6 / BS 5200



.....  
FERRULE  
.....  
**FITTING**  
**BSP-BSPT**  
METRIC  
JIC  
ORFS  
SAE  
NPTF-NPSM  
JIS  
SAE 3000 CODE 61  
SAE 6000 CODE 62  
STAPLE LOCK

code	ø hose			T	A		B		D		CH		
	dn	inch	size		mm	in	mm	in	mm	in	mm	in	↻ in
FO93B-04-04	6	1/4"	04	1/4"-19	27,5	1,08	4,2	0,17	27,5	1,08	19,0	0,748	3/4"
FO93B-06-06	10	3/8"	06	3/8"-19	31,5	1,24	6,1	0,24	30,0	1,18	22,0	0,866	7/8"
FO93B-08-08	12	1/2"	08	1/2"-14	37,3	1,47	6,5	0,26	36,0	1,42	27,0	1,063	1.1/16"
FO92B-10-10	16	5/8"	10	5/8"-14	54,0	2,13	9,5	0,37	53,5	2,10	30,0	1,181	1.3/16"
FO92B-12-12	19	3/4"	12	3/4"-14	55,5	2,20	8,7	0,34	56,0	2,20	32,0	1,260	1.1/4"
FO92B-16-16	25	1"	16	1"-11	72,0	2,83	10,5	0,41	71,0	2,80	38,0	1,496	1.1/2"
FO92B-20-20	31	1.1/4"	20	1.1/4"-11	85,5	3,37	10,0	0,39	77,0	3,03	50,0	1,969	2"
FO92B-24-24	38	1.1/2"	24	1.1/2"-11	102,0	4,02	12,0	0,47	100,0	3,94	55,0	2,165	2.3/16"
FO92B-32-32	51	2"	32	2"-11	132,0	5,20	16,0	0,63	128,0	5,04	70,0	2,756	2.3/4"

### Nut type

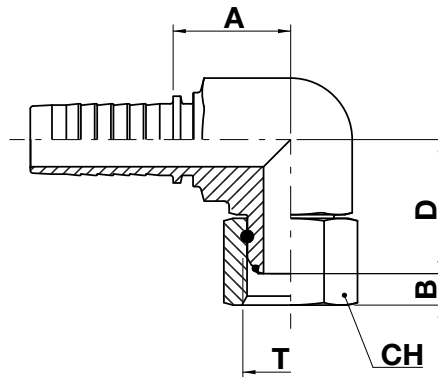


# KO92B

**BSP O-ring female swivel 60° cone - 90° compact elbow**

NO SKIVE / EXTERNAL SKIVE

ISO 8434-6 / BS 5200



FERRULE

**FITTING****BSP-BSPT**

METRIC

JIC

ORFS

SAE

NPTF-NPSM

JIS

SAE 3000 CODE 61

SAE 6000 CODE 62

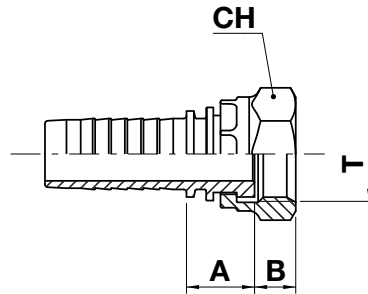
STAPLE LOCK

code	ø hose			T	A		B		D		CH		
	dn	inch	size		mm	in	mm	in	mm	in	mm	in	↻ in
KO92B-04-04	6	1/4"	04	1/4"-19	18,5	0,73	5,2	0,20	22,5	0,89	19,0	0,748	3/4"
KO92B-06-06	10	3/8"	06	3/8"-19	21,5	0,85	6,0	0,24	26,0	1,02	22,0	0,866	7/8"
KO92B-08-08	12	1/2"	08	1/2"-14	25,0	0,98	6,5	0,26	29,0	1,14	27,0	1,063	1.1/16"
KO92B-12-12	19	3/4"	12	3/4"-14	28,5	1,12	8,7	0,34	36,0	1,42	32,0	1,260	1.1/4"
KO92B-16-16	25	1"	16	1"-11	34,0	1,34	10,5	0,41	40,0	1,57	41,0	1,614	1.1/2"

# FP11B

## BSP flat face female swivel

NO SKIVE / EXTERNAL SKIVE



.....  
FERRULE  
.....  
**FITTING**  
**BSP-BSPT**  
METRIC  
JIC  
ORFS  
SAE  
NPTF-NPSM  
JIS  
SAE 3000 CODE 61  
SAE 6000 CODE 62  
STAPLE LOCK

code	ø hose			T	A		B		CH		
	dn	inch	size		mm	in	mm	in	mm	in	↻ in
FP11B-06-06	10	3/8"	06	3/8"-19	15,5	0,61	9,0	0,35	22,0	0,866	7/8"
FP11B-06-08	10	3/8"	06	1/2"-14	16,0	0,63	10,5	0,41	27,0	1,063	1.1/16"
FP11B-08-08	12	1/2"	08	1/2"-14	16,5	0,65	10,5	0,41	27,0	1,063	1.1/16"
FP11B-08-12	12	1/2"	08	3/4"-14	21,5	0,85	11,5	0,45	32,0	1,260	1.1/4"
FP11B-12-12	19	3/4"	12	3/4"-14	26,0	1,02	11,5	0,45	32,0	1,260	1.1/4"

# BB10B

**BSP banjo**

NO SKIVE / EXTERNAL SKIVE

FERRULE

FITTING

**BSP-BSPT**

METRIC

JIC

ORFS

SAE

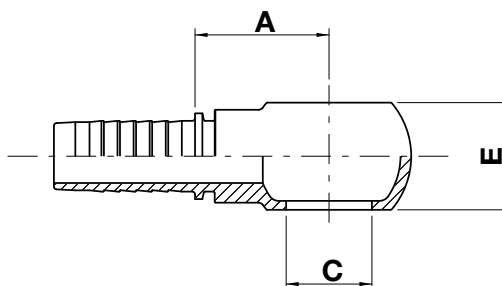
NPTF-NPSM

JIS

SAE 3000 CODE 61

SAE 6000 CODE 62

STAPLE LOCK



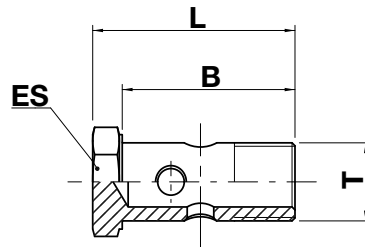
code	ø hose			T	A		C		E	
	dn	inch	size		mm	in	mm	in	mm	in
BB10B-04-02	6	1/4"	04	1/8"-28	22,0	0,87	10,2	0,40	10,0	0,39
BB10B-04-04	6	1/4"	04	1/4"-19	22,0	0,87	13,3	0,52	14,0	0,55
BB10B-04-06	6	1/4"	04	3/8"-19	23,0	0,91	16,8	0,66	18,0	0,71
BB10B-05-06	8	5/16"	05	3/8"-19	23,0	0,91	16,8	0,66	18,0	0,71
BB10B-06-06	10	3/8"	06	3/8"-19	24,0	0,94	16,8	0,66	18,0	0,71
BB10B-06-08	10	3/8"	06	1/2"-14	26,0	1,02	21,0	0,83	22,0	0,87
BB10B-08-08	12	1/2"	08	1/2"-14	27,0	1,06	21,0	0,83	22,0	0,87
BB10B-10-10	16	5/8"	10	5/8"-14	28,0	1,10	23,1	0,91	24,0	0,94
BB10B-12-12	19	3/4"	12	3/4"-14	36,5	1,44	26,5	1,04	29,0	1,14
BB10B-16-16	25	1"	16	1"-11	44,5	1,75	33,5	0,41	37,0	1,46



# VB10B

**BSP banjo bolt**

**NO SKIVE / EXTERNAL SKIVE**



.....  
FERRULE  
.....  
**FITTING**  
**BSP-BSPT**  
METRIC  
JIC  
ORFS  
SAE  
NPTF-NPSM  
JIS  
SAE 3000 CODE 61  
SAE 6000 CODE 62  
STAPLE LOCK

code	T	B		L		ES		
		mm	in	mm	in	mm	in	↻ in
VB10B-02	1/8"-28	19,0	0,75	24,0	0,94	14,0	0,551	9/16"
VB10B-04	1/4"-19	25,0	0,98	32,0	1,26	19,0	0,748	3/4"
VB10B-06	3/8"-19	31,0	1,22	38,0	1,50	22,0	0,866	7/8"
VB10B-08	1/2"-14	38,0	1,50	46,0	1,81	27,0	1,063	1.1/16"
VB10B-10	5/8"-14	41,0	1,61	49,0	1,93	30,0	1,181	1.3/16"
VB10B-12	3/4"-14	46,0	1,81	56,0	2,20	32,0	1,260	1.1/4"
VB10B-16	1"-11	58,0	2,28	69,0	2,72	41,0	1,614	1.5/8"

# KW15B

**Jet wash female swivel "K" type**

NO SKIVE / EXTERNAL SKIVE

FERRULE

**FITTING**

BSP-BSPT

**METRIC**

JIC

ORFS

SAE

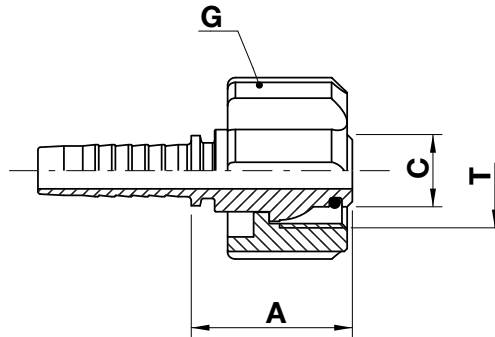
NPTF-NPSM

JIS

SAE 3000 CODE 61

SAE 6000 CODE 62

STAPLE LOCK

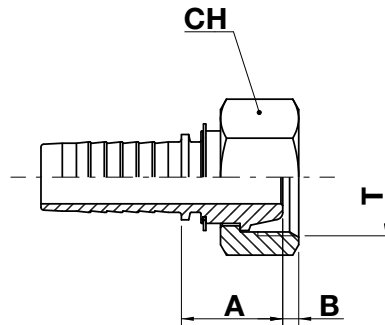


code	ø hose			T	A		C		G	
	dn	inch	size		mm	in	mm	in	mm	in
KW15B-04-22	6	1/4"	04	M22X1,5	31,0	1,22	14,0	0,55	36,0	1,42
KW15B-05-22	8	5/16"	05	M22X1,5	31,0	1,22	14,0	0,55	36,0	1,42
KW15B-06-22	10	3/8"	06	M22X1,5	31,0	1,22	14,0	0,55	36,0	1,42

# FQ13B

Metric female swivel (multiseal 24°/60° cone seat)

NO SKIVE / EXTERNAL SKIVE



.....  
FERRULE  
.....  
**FITTING**  
BSP-BSPT  
**METRIC**  
JIC  
ORFS  
SAE  
NPTF-NPSM  
JIS  
SAE 3000 CODE 61  
SAE 6000 CODE 62  
STAPLE LOCK

code	ø hose			T	A		B		CH		
	dn	inch	size		mm	in	mm	in	mm	in	↻ in
FQ13B-04-14	6	1/4"	04	M14X1,5	21,5	0,85	3,5	0,14	17,0	0,669	11/16"
FQ13B-05-16	8	5/16"	05	M16X1,5	21,0	0,83	5,0	0,20	19,0	0,748	3/4"
FQ13B-05-18	8	5/16"	05	M18X1,5	21,0	0,83	5,0	0,20	22,0	0,866	7/8"
FQ13B-06-16	10	3/8"	06	M16X1,5	21,6	0,85	5,0	0,20	22,0	0,866	7/8"
FQ13B-06-18	10	3/8"	06	M18X1,5	21,0	0,83	5,0	0,20	22,0	0,866	7/8"
FQ13B-08-22	12	1/2"	08	M22X1,5	24,5	0,96	5,0	0,20	20,0	0,790	1.1/16"
FQ13B-10-26	16	5/8"	10	M26X1,5	24,5	0,96	6,0	0,24	32,0	1,260	1.1/4"

# FQ93B

**Metric female swivel - 90° elbow (multiseal 24°/60° cone seat)**

NO SKIVE / EXTERNAL SKIVE

FERRULE

**FITTING**

BSP-BSPT

**METRIC**

JIC

ORFS

SAE

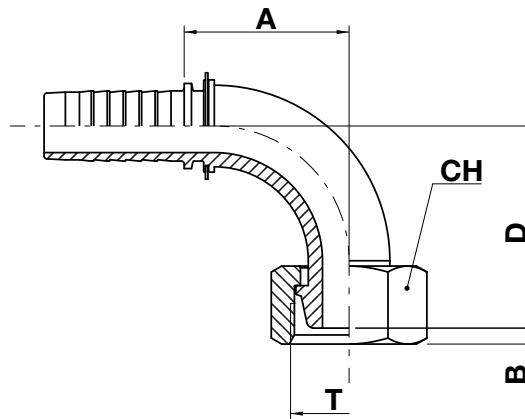
NPTF-NPSM

JIS

SAE 3000 CODE 61

SAE 6000 CODE 62

STAPLE LOCK



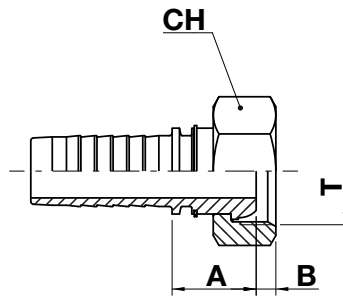
code	ø hose			T	A		B		D		CH		
	dn	inch	size		mm	in	mm	in	mm	in	mm	in	↻ in
FQ93B-04-14	6	1/4"	04	M14X1,5	28,0	1,10	3,5	0,14	29,5	1,16	17,0	0,669	11/16"
FQ93B-05-16	8	5/16"	05	M16X1,5	31,5	1,24	5,0	0,20	33,0	1,30	19,0	0,748	3/4"
FQ93B-06-18	10	3/8"	06	M18X1,5	30,5	1,20	5,0	0,20	33,5	1,32	22,0	0,866	7/8"
FQ93B-08-22	12	1/2"	08	M22X1,5	38,2	1,50	5,0	0,20	38,0	1,50	27,0	1,063	1.1/16"
FQ93B-10-26	16	5/8"	10	M26X1,5	54,0	2,13	6,0	0,24	52,5	2,07	32,0	1,260	1.1/4"

# FM13B


Metric female swivel (60° cone seat)

NO SKIVE / EXTERNAL SKIVE

DIN 3863



.....  
FERRULE  
.....  
**FITTING**  
BSP-BSPT  
**METRIC**  
JIC  
ORFS  
SAE  
NPTF-NPSM  
JIS  
SAE 3000 CODE 61  
SAE 6000 CODE 62  
STAPLE LOCK

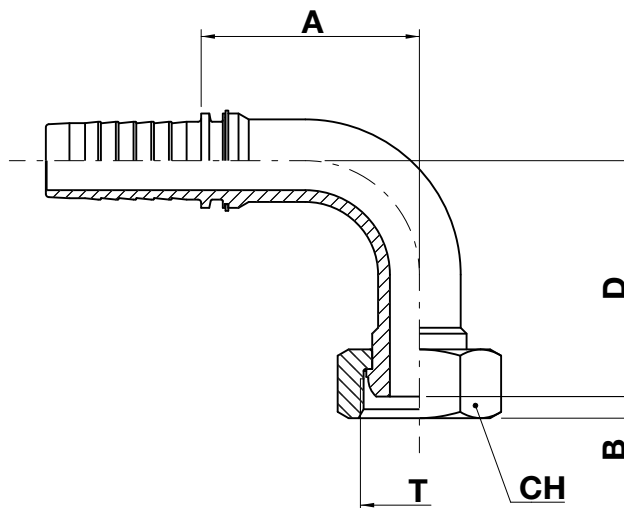
code	ø hose			T	A		B		CH		
	dn	inch	size		mm	in	mm	in	mm	in	 in
FM13B-12-30	19	3/4"	12	M30X1,5	23,5	0,93	5,0	0,20	36,0	1,417	1.7/16"
FM13B-16-38	25	1"	16	M38X1,5	27,6	1,09	5,0	0,20	46,0	1,811	1.13/16"

## FM93B

Metric female swivel - 90° elbow (60° cone seat)

NO SKIVE / EXTERNAL SKIVE

DIN 3863



FERRULE

FITTING

BSP-BSPT

**METRIC**

JIC

ORFS

SAE


NPTF-NPSM

JIS

SAE 3000 CODE 61

SAE 6000 CODE 62

STAPLE LOCK

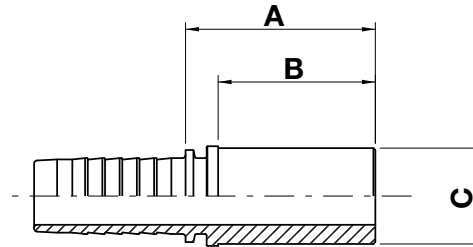
code	ø hose			T	A		B		D		CH		
	dn	inch	size		mm	in	mm	in	mm	in	mm	in	 in
FM93B-12-30	19	3/4"	12	M30X1,5	65,0	2,56	5,0	0,20	60,0	2,36	36,0	1,417	1.7/16"
FM93B-16-38	25	1"	16	M38X1,5	74,2	2,92	5,0	0,20	69,0	2,72	46,0	1,811	1.13/16"

# SM10B

## Metric standpipe

NO SKIVE / EXTERNAL SKIVE

ISO 8434-1 / (DIN 2353)

.....  
FERRULE.....  
**FITTING**

BSP-BSPT

**METRIC**

JIC

ORFS

SAE

NPTF-NPSM

JIS

SAE 3000 CODE 61

SAE 6000 CODE 62

STAPLE LOCK

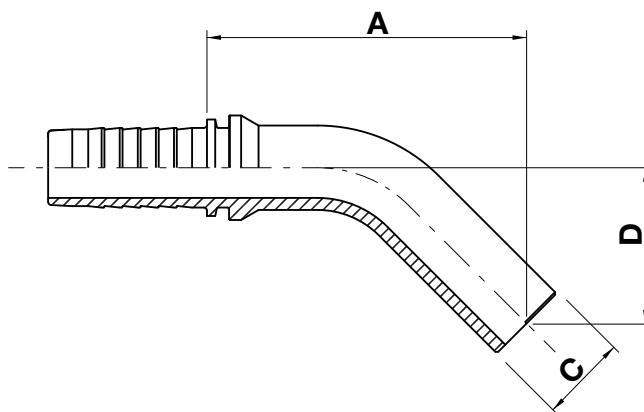
code	ø hose			C		A		B	
	dn	inch	size	mm	in	mm	in	mm	in
SM10B-03-06	5	3/16"	03	6,0	0,24	23,5	0,93	22,0	0,87
SM10B-04-06	6	1/4"	04	6,0	0,24	28,0	1,10	22,0	0,87
SM10B-04-08	6	1/4"	04	8,0	0,31	29,5	1,16	23,0	0,91
SM10B-04-10	6	1/4"	04	10,0	0,39	33,0	1,30	27,0	1,06
SM10B-04-12	6	1/4"	04	12,0	0,47	33,0	1,30	27,0	1,06
SM10B-05-12	8	5/16"	05	12,0	0,47	33,0	1,30	27,0	1,06
SM10B-06-10	10	3/8"	06	10,0	0,39	30,5	1,20	24,0	0,94
SM10B-06-12	10	3/8"	06	12,0	0,47	30,5	1,20	24,0	0,94
SM10B-08-12	12	1/2"	08	12,0	0,47	31,0	1,22	24,0	0,94
SM10B-08-14	12	1/2"	08	14,0	0,55	36,0	1,42	29,0	1,14
SM10B-08-15	12	1/2"	08	15,0	0,59	32,0	1,26	25,0	0,98
SM10B-08-16	12	1/2"	08	16,0	0,63	37,0	1,46	30,0	1,18
SM10B-10-18	16	5/8"	10	18,0	0,71	34,0	1,34	27,0	1,06
SM10B-10-20	16	5/8"	10	20,0	0,79	43,0	1,69	36,0	1,42
SM10B-12-18	19	3/4"	12	18,0	0,71	34,5	1,36	27,0	1,06
SM10B-12-20	19	3/4"	12	20,0	0,79	44,5	1,75	36,0	1,42
SM10B-12-22	19	3/4"	12	22,0	0,87	36,5	1,44	28,0	1,10
SM10B-12-25	19	3/4"	12	25,0	0,98	49,5	1,95	41,0	1,61
SM10B-16-25	25	1"	16	25,0	0,98	51,0	2,01	41,0	1,61
SM10B-16-28	25	1"	16	28,0	1,10	40,0	1,57	30,0	1,18
SM10B-16-30	25	1"	16	30,0	1,18	54,0	2,13	44,0	1,73

# SM40B

## Metric standpipe - 45° elbow

NO SKIVE / EXTERNAL SKIVE

ISO 8434-1 / (DIN 2353)



FERRULE

## FITTING

BSP-BSPT

**METRIC**

JIC

ORFS

SAE

NPTF-NPSM

JIS

SAE 3000 CODE 61

SAE 6000 CODE 62

STAPLE LOCK

code	ø hose			C		A		D	
	dn	inch	size	mm	in	mm	in	mm	in
SM40B-04-06	6	1/4"	04	6,0	0,24	45,0	1,77	22,0	0,87
SM40B-04-08	6	1/4"	04	8,0	0,31	41,5	1,63	23,3	0,92
SM40B-04-10	6	1/4"	04	10,0	0,39	58,0	2,28	25,8	1,02
SM40B-05-10	8	5/16"	05	10,0	0,39	57,0	2,24	24,5	0,96
SM40B-05-12	8	5/16"	05	12,0	0,47	56,0	2,20	29,0	1,14
SM40B-06-10	10	3/8"	06	10,0	0,39	45,5	1,79	22,0	0,87
SM40B-06-14	10	3/8"	06	14,0	0,55	56,0	2,20	29,0	1,14
SM40B-08-15	12	1/2"	08	15,0	0,59	60,5	2,38	28,0	1,10
SM40B-08-16	12	1/2"	08	16,0	0,63	53,0	2,09	34,0	1,34
SM40B-10-18	16	5/8"	10	18,0	0,71	72,0	2,83	35,4	1,39
SM40B-10-20	16	5/8"	10	20,0	0,79	87,9	3,46	46,0	1,81
SM40B-12-22	19	3/4"	12	22,0	0,87	79,5	3,13	38,7	1,52
SM40B-12-25	19	3/4"	12	25,0	0,98	88,5	3,48	47,0	1,85
SM40B-16-28	25	1"	16	28,0	1,10	95,0	3,74	45,5	1,79
SM40B-16-30	25	1"	16	30,0	1,18	96,0	3,78	47,2	1,86

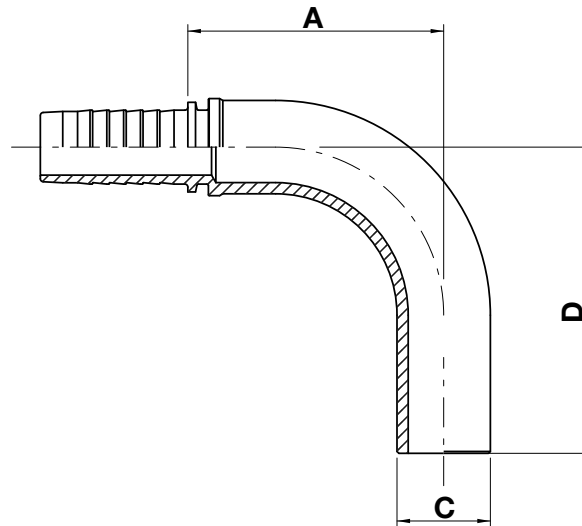


# SM90B

## Metric standpipe - 90° elbow

NO SKIVE / EXTERNAL SKIVE

ISO 8434-1 / (DIN 2353)



.....  
FERRULE  
.....  
**FITTING**  
BSP-BSPT  
**METRIC**  
JIC  
ORFS  
SAE  
NPTF-NPSM  
JIS  
SAE 3000 CODE 61  
SAE 6000 CODE 62  
STAPLE LOCK

code	ø hose			C		A		D	
	dn	inch	size	mm	in	mm	in	mm	in
SM90B-03-06	5	3/16"	03	6,0	0,24	33,3	1,31	40,0	1,57
SM90B-04-06	6	1/4"	04	6,0	0,24	26,0	1,02	38,5	1,52
SM90B-04-08	6	1/4"	04	8,0	0,31	26,0	1,02	40,0	1,57
SM90B-04-10	6	1/4"	04	10,0	0,39	29,5	1,16	45,5	1,79
SM90B-05-10	8	5/16"	05	10,0	0,39	36,0	1,42	39,0	1,54
SM90B-06-10	10	3/8"	06	10,0	0,39	37,0	1,46	50,0	1,97
SM90B-06-12	10	3/8"	06	12,0	0,47	32,5	1,28	47,0	1,85
SM90B-08-15	12	1/2"	08	15,0	0,59	38,0	1,50	50,0	1,97
SM90B-08-16	12	1/2"	08	16,0	0,63	38,0	1,50	55,0	2,17
SM90B-10-18	16	5/8"	10	18,0	0,71	58,5	2,30	63,0	2,48
SM90B-10-20	16	5/8"	10	20,0	0,79	59,5	2,34	68,0	2,68
SM90B-12-20	19	3/4"	12	20,0	0,79	55,5	2,19	77,0	3,03
SM90B-12-22	19	3/4"	12	22,0	0,87	60,5	2,38	73,5	2,89
SM90B-12-25	19	3/4"	12	25,0	0,98	68,5	2,70	82,0	3,23
SM90B-16-25	25	1"	16	25,0	0,98	68,5	2,70	89,0	3,50
SM90B-16-28	25	1"	16	28,0	1,10	68,0	2,68	89,0	3,50

# BM10B

## Metric banjo

NO SKIVE / EXTERNAL SKIVE

FERRULE

## FITTING

BSP-BSPT

**METRIC**

JIC

ORFS

SAE

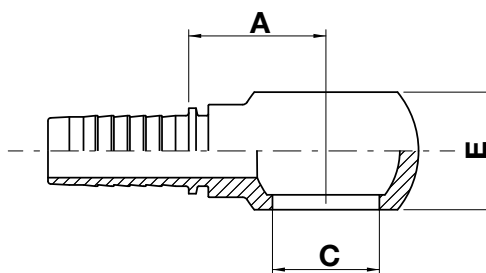
NPTF-NPSM

JIS

SAE 3000 CODE 61

SAE 6000 CODE 62

STAPLE LOCK



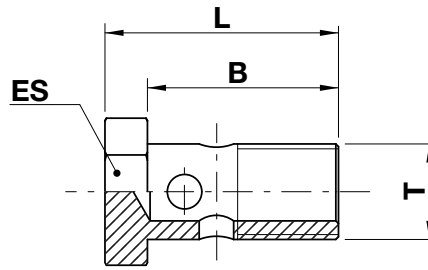
code	ø hose			T	A		C		E	
	dn	inch	size		mm	in	mm	in	mm	in
BM10B-04-10	6	1/4"	04	M10X1	22,0	0,87	10,2	0,40	10,0	0,39
BM10B-04-12	6	1/4"	04	M12X1,5	21,0	0,83	12,2	0,48	12,0	0,47
BM10B-04-14	6	1/4"	04	M14X1,5	21,0	0,83	14,2	0,56	14,0	0,55
BM10B-04-16	6	1/4"	04	M16X1,5	23,0	0,91	16,2	0,63	18,0	0,71
BM10B-05-12	8	5/16"	05	M12X1,5	21,0	0,83	12,2	0,47	12,0	0,47
BM10B-05-14	8	5/16"	05	M14X1,5	23,2	0,91	14,2	0,56	14,0	0,55
BM10B-05-16	8	5/16"	05	M16X1,5	23,0	0,91	16,2	0,64	18,0	0,71
BM10B-06-14	10	3/8"	06	M14X1,5	24,5	0,96	14,2	0,56	14,0	0,55
BM10B-06-16	10	3/8"	06	M16X1,5	24,0	0,94	16,2	0,64	18,0	0,71
BM10B-06-18	10	3/8"	06	M18X1,5	27,5	1,08	18,2	0,72	20,0	0,79
BM10B-06-22	10	3/8"	06	M22X1,5	26,5	1,04	22,2	0,87	22,0	0,87
BM10B-08-16	12	1/2"	08	M16X1,5	24,5	0,96	16,2	0,63	18,0	0,71
BM10B-08-18	12	1/2"	08	M18X1,5	28,1	1,11	18,2	0,72	20,0	0,79
BM10B-08-22	12	1/2"	08	M22X1,5	27,0	1,06	22,2	0,87	22,0	0,87
BM10B-08-24	12	1/2"	08	M24X1,5	29,5	1,16	24,2	0,94	25,0	0,98
BM10B-10-22	16	5/8"	10	M22X1,5	28,0	1,10	22,2	0,87	22,0	0,87
BM10B-12-26	19	3/4"	12	M26X1,5	36,5	1,44	26,2	1,03	29,0	1,14
BM10B-16-30	25	1"	16	M30X1,5	44,5	1,75	30,2	1,19	37,0	1,46

# VM10B

## Metric banjo bolt

NO SKIVE / EXTERNAL SKIVE

DIN 7643



.....  
FERRULE  
.....  
**FITTING**  
BSP-BSPT  
**METRIC**  
JIC  
ORFS  
SAE  
NPTF-NPSM  
JIS  
SAE 3000 CODE 61  
SAE 6000 CODE 62  
STAPLE LOCK

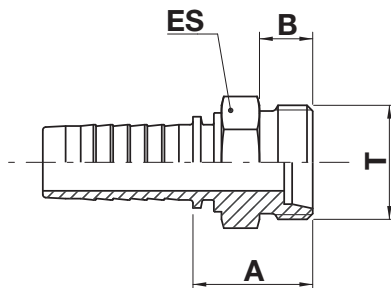
code	T	B		L		ES		
		mm	in	mm	in	mm	in	↻ in
VM10B-08	M8X1	16,0	0,63	21,0	0,83	12,0	0,472	1/2"
VM10B-10	M10X1	19,0	0,75	25,0	0,98	14,0	0,551	9/16"
VM10B-12	M12X1,5	23,0	0,91	28,0	1,10	17,0	0,669	11/16"
VM10B-14	M14X1,5	25,0	0,98	32,0	1,26	19,0	0,748	3/4"
VM10B-16	M16X1,5	31,0	1,22	37,0	1,46	22,0	0,866	7/8"
VM10B-18	M18X1,5	36,0	1,42	44,0	1,73	24,0	0,945	15/16"
VM10B-22	M22X1,5	38,0	1,5	46,0	1,81	27,0	1,063	1.1/16"
VM10B-24	M24X1,5	41,0	1,61	49,0	1,93	30,0	1,181	1.3/16"
VM10B-26	M26X1,5	46,0	1,81	56,0	2,20	32,0	1,260	1.1/4"
VM10B-30	M30X1,5	58,0	2,28	69,0	2,72	38,0	1,496	1.1/2"

# ML10B

Metric light male (24° cone seat)

NO SKIVE / EXTERNAL SKIVE

ISO 8434-1 / DIN 3865



FERRULE

FITTING

BSP-BSPT

**METRIC**

JIC

ORFS

SAE


NPTF-NPSM

JIS

SAE 3000 CODE 61

SAE 6000 CODE 62

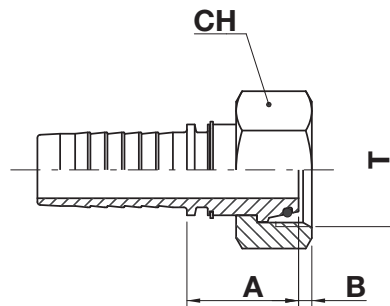
STAPLE LOCK

code	ø hose			T	pipe	A		B		ES		
	dn	inch	size			mm	in	mm	in	mm	in	 in
ML10B-04-12	6	1/4"	04	M12X1,5	L6	22,5	0,89	10,0	0,39	14,0	0,551	9/16"
ML10B-04-14	6	1/4"	04	M14X1,5	L8	22,5	0,89	10,0	0,39	14,0	0,551	9/16"
ML10B-04-16	6	1/4"	04	M16X1,5	L10	24,5	0,96	11,0	0,43	17,0	0,669	11/16"
ML10B-04-18	6	1/4"	04	M18X1,5	L12	27,0	1,06	11,0	0,43	19,0	0,748	3/4"
ML10B-05-16	8	5/16"	05	M16X1,5	L10	24,5	0,96	11,0	0,43	17,0	0,669	11/16"
ML10B-05-18	8	5/16"	05	M18X1,5	L12	25,0	0,98	11,0	0,43	19,0	0,748	3/4"
ML10B-06-16	10	3/8"	06	M16X1,5	L10	24,5	0,96	11,0	0,43	17,0	0,669	11/16"
ML10B-06-18	10	3/8"	06	M18X1,5	L12	25,0	0,98	11,0	0,43	19,0	0,748	3/4"
ML10B-06-22	10	3/8"	06	M22X1,5	L15	26,0	1,02	12,0	0,47	22,0	0,866	7/8"
ML10B-08-18	12	1/2"	08	M18X1,5	L12	25,5	1,00	11,0	0,43	19,0	0,748	3/4"
ML10B-08-22	12	1/2"	08	M22X1,5	L15	26,5	1,04	12,0	0,47	22,0	0,866	7/8"
ML10B-08-26	12	1/2"	08	M26X1,5	L18	29,0	1,14	12,0	0,47	27,0	1,063	1.1/16"
ML10B-10-22	16	5/8"	10	M22X1,5	L15	26,5	1,04	12,0	0,47	22,0	0,866	7/8"
ML10B-10-26	16	5/8"	10	M26X1,5	L18	29,0	1,14	12,0	0,47	27,0	1,063	1.1/16"
ML10B-12-26	19	3/4"	12	M26X1,5	L18	29,5	1,16	12,0	0,47	27,0	1,063	1.1/16"
ML10B-12-30	19	3/4"	12	M30X2	L22	31,5	1,24	14,0	0,55	30,0	1,181	1.3/16"
ML10B-16-36	25	1"	16	M36X2	L28	34,0	1,34	14,0	0,55	36,0	1,417	1.7/16"
ML10B-20-45	31	1.1/4"	20	M45X2	L35	41,0	1,61	16,0	0,63	46,0	1,811	1.13/16"
ML10B-24-52	38	1.1/2"	24	M52X2	L42	40,4	1,59	16,0	0,63	55,0	2,165	2.3/16"

**FL13B** FL11B FL12B**Metric light female swivel (24° cone seat)**

NO SKIVE / EXTERNAL SKIVE

ISO 8434-1 / DIN 3865

.....  
FERRULE.....  
**FITTING**

BSP-BSPT

**METRIC**

JIC

ORFS

SAE

NPTF-NPSM

JIS

SAE 3000 CODE 61

SAE 6000 CODE 62

STAPLE LOCK

code	ø hose			T	pipe	A		B		CH		
	dn	inch	size			mm	in	mm	in	mm	in	↻ in
FL13B-03-12	5	3/16"	03	M12X1,5	L6	19,5	0,77	2,0	0,08	14,0	0,551	9/16"
FL11B-04-12	6	1/4"	04	M12X1,5	L6	20,9	0,82	2,6	0,10	16,0	0,630	5/8"
FL13B-04-14	6	1/4"	04	M14X1,5	L8	25,0	0,98	1,5	0,06	17,0	0,669	11/16"
FL13B-04-16	6	1/4"	04	M16X1,5	L10	27,5	1,08	1,5	0,06	19,0	0,748	3/4"
FL13B-04-18	6	1/4"	04	M18X1,5	L12	26,0	1,02	1,5	0,06	22,0	0,866	7/8"
FL12B-05-14	8	5/16"	05	M14X1,5	L8	21,5	0,85	1,5	0,06	17,0	0,669	11/16"
FL13B-05-16	8	5/16"	05	M16X1,5	L10	27,5	1,08	1,5	0,06	19,0	0,748	3/4"
FL13B-05-18	8	5/16"	05	M18X1,5	L12	26,0	1,02	1,5	0,06	22,0	0,866	7/8"
FL12B-06-16	10	3/8"	06	M16X1,5	L10	23,0	0,91	3,5	0,14	19,0	0,748	3/4"
FL13B-06-18	10	3/8"	06	M18X1,5	L12	26,0	1,02	1,5	0,06	22,0	0,866	7/8"
FL13B-06-22	10	3/8"	06	M22X1,5	L15	28,5	1,12	2,5	0,01	27,0	1,063	1.1/16"
FL11B-08-18	12	1/2"	08	M18X1,5	L12	28,5	1,12	3,0	0,12	22,0	0,866	7/8"
FL13B-08-22	12	1/2"	08	M22X1,5	L15	28,5	1,12	2,5	0,01	27,0	1,063	1.1/16"
FL13B-08-26	12	1/2"	08	M26X1,5	L18	30,0	1,18	2,0	0,08	32,0	1,260	1.1/4"
FL13B-10-26	16	5/8"	10	M26X1,5	L18	29,0	1,14	2,0	0,08	32,0	1,260	1.1/4"
FL13B-10-27	16	5/8"	10	M27X1,5	L18	29,0	1,14	2,0	0,08	32,0	1,260	1.1/4"
FL13B-10-30	16	5/8"	10	M30X2	L22	29,4	1,16	3,5	0,14	36,0	1,417	1.7/16"
FL12B-12-26	19	3/4"	12	M26X1,5	L18	25,5	1,00	2,0	0,08	32,0	1,260	1.1/4"
FL13B-12-30	19	3/4"	12	M30X2	L22	29,5	1,16	3,5	0,14	36,0	1,417	1.7/16"



← **FL13B FL11B FL12B**

FERRULE

**FITTING**

BSP-BSPT

**METRIC**

JIC

ORFS

SAE

NPTF-NPSM

JIS

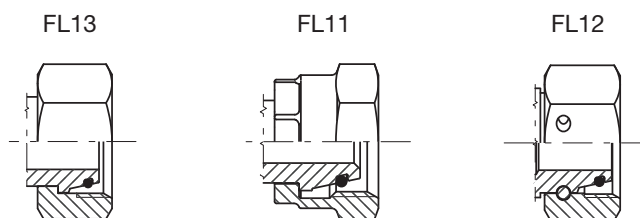
SAE 3000 CODE 61

SAE 6000 CODE 62

STAPLE LOCK

code	ø hose			T	pipe	A		B		CH		
	dn	inch	size			mm	in	mm	in	mm	in	↗ in
FL13B-12-36	19	3/4"	12	M36X2	L28	30,5	1,20	3,5	0,14	41,0	1,614	1.5/8"
FL12B-16-30	25	1"	16	M30X2	L22	29,0	1,14	3,5	0,14	36,0	1,417	1.7/16"
FL13B-16-36	25	1"	16	M36X2	L28	32,0	1,26	3,5	0,14	41,0	1,614	1.5/8"
FL13B-16-45	25	1"	16	M45X2	L35	37,0	1,46	3,0	0,12	50,0	1,969	2"
FL12B-20-36	31	1.1/4"	20	M36X2	L28	36,0	1,42	4,5	0,18	41,0	1,614	1.5/8"
FL13B-20-45	31	1.1/4"	20	M45X2	L35	39,5	1,56	2,0	0,08	50,0	1,969	2"
FL12B-24-45	38	1.1/2"	24	M45X2	L35	38,0	1,50	3,0	0,12	50,0	1,969	2"
FL13B-24-52	38	1.1/2"	24	M52X2	L42	39,5	1,56	3,0	0,12	60,0	2,362	2.3/8"
FL12B-32-52	51	2"	32	M52X2	L42	46,0	1,81	4,0	0,16	60,0	2,362	2.3/8"

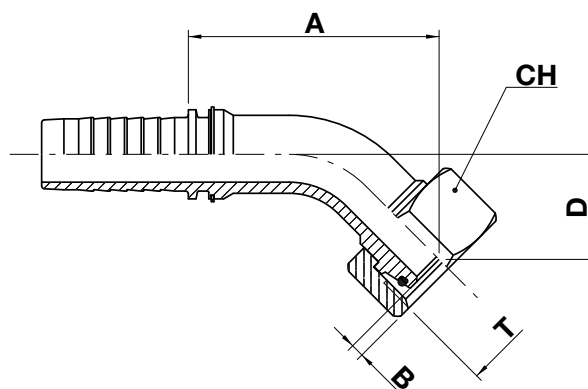
**Nut type**



**FL43B** FL41B FL42B**Metric light female swivel - 45° elbow (24° cone seat)**

NO SKIVE / EXTERNAL SKIVE

ISO 8434-1 / DIN 3865



.....  
FERRULE  
.....  
**FITTING**  
BSP-BSPT  
**METRIC**  
JIC  
ORFS  
SAE  
NPTF-NPSM  
JIS  
SAE 3000 CODE 61  
SAE 6000 CODE 62  
STAPLE LOCK

code	ø hose			T	pipe	A		B		D		CH		
	dn	inch	size			mm	in	mm	in	mm	in	mm	in	↻ in
FL41B-04-12	6	1/4"	04	M12X1,5	L6	39,0	1,54	2,6	0,10	14,8	0,58	16,0	0,630	5/8"
FL43B-04-14	6	1/4"	04	M14X1,5	L8	35,2	1,39	1,5	0,06	15,5	0,61	17,0	0,669	11/16"
FL43B-04-16	6	1/4"	04	M16X1,5	L10	36,3	1,43	1,5	0,06	16,6	0,65	19,0	0,748	3/4"
FL43B-04-18	6	1/4"	04	M18X1,5	L12	42,5	1,67	1,5	0,06	18,0	0,71	22,0	0,866	7/8"
FL43B-05-16	8	5/16"	05	M16X1,5	L10	39,0	1,54	1,5	0,06	17,1	0,67	19,0	0,748	3/4"
FL43B-05-18	8	5/16"	05	M18X1,5	L12	41,5	1,63	1,5	0,06	19,2	0,76	22,0	0,866	7/8"
FL42B-06-16	10	3/8"	06	M16X1,5	L10	44,6	1,76	3,5	0,14	21,7	0,85	19,0	0,748	3/4"
FL43B-06-18	10	3/8"	06	M18X1,5	L12	42,6	1,68	1,5	0,06	19,2	0,76	22,0	0,866	7/8"
FL43B-06-22	10	3/8"	06	M22X1,5	L15	45,0	1,77	2,5	0,10	22,1	0,87	27,0	1,063	1.1/16"
FL43B-08-22	12	1/2"	08	M22X1,5	L15	48,2	1,90	2,5	0,10	20,8	0,82	27,0	1,063	1.1/16"
FL42B-10-22	16	5/8"	10	M22X1,5	L15	64,2	2,52	2,5	0,10	27,2	1,07	27,0	1,063	1.1/16"
FL43B-10-26	16	5/8"	10	M26X1,5	L18	62,5	2,46	2,0	0,08	25,5	1,00	32,0	1,260	1.1/4"
FL43B-12-30	19	3/4"	12	M30X2	L22	67,5	2,66	3,5	0,14	28,3	1,11	36,0	1,417	1.7/16"
FL43B-16-36	25	1"	16	M36X2	L28	85,0	3,35	3,5	0,14	33,1	1,30	41,0	1,614	1.5/8"
FL43B-20-45	31	1.1/4"	20	M45X2	L35	102,5	4,04	2,0	0,08	41,7	1,64	50,0	1,969	2"
FL43B-24-52	38	1.1/2"	24	M52X2	L42	121,0	4,76	3,0	0,12	46,0	1,81	60,0	2,362	2.3/8"
FL42B-24-45	38	1.1/2"	24	M45X2	L35	117,5	4,62	3,0	0,12	42,4	1,66	50,0	1,969	2"



Two piece fittings - Universal series for wire braided and 4 spiral hydraulic hoses

← **FL43B FL41B FL42B**

---

FERRULE

**Nut type**

**FITTING**

BSP-BSPT

**METRIC**

JIC

ORFS

SAE

NPTF-NPSM

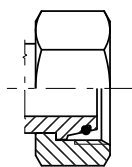
JIS

SAE 3000 CODE 61

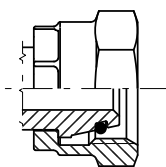
SAE 6000 CODE 62

STAPLE LOCK

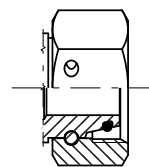
FL43



FL41



FL42



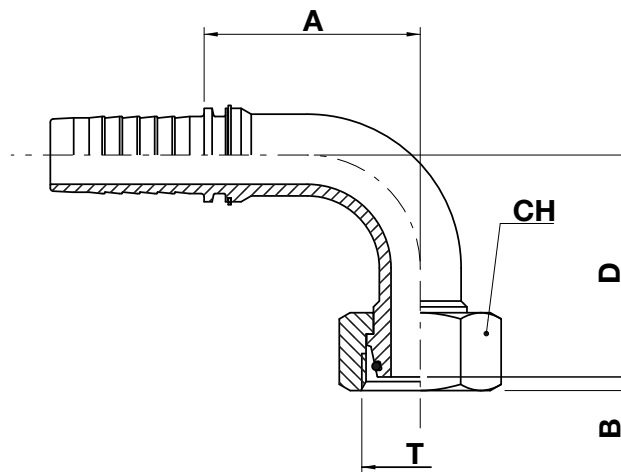
←



**FL93B** FL91B FL92B**Metric light female swivel - 90° elbow (24° cone seat)**

NO SKIVE / EXTERNAL SKIVE

ISO 8434-1 / DIN 3865

.....  
FERRULE.....  
**FITTING**

BSP-BSPT

**METRIC**

JIC

ORFS

SAE

NPTF-NPSM

JIS

SAE 3000 CODE 61

SAE 6000 CODE 62

STAPLE LOCK

code	ø hose			T	pipe	A		B		D		CH		
	dn	inch	size			mm	in	mm	in	mm	in	mm	in	↻ in
FL91B-04-12	6	1/4"	04	M12X1,5	L6	30,7	1,21	2,6	0,10	30,0	1,18	16,0	0,630	5/8"
FL93B-04-14	6	1/4"	04	M14X1,5	L8	28,0	1,10	1,5	0,06	31,0	1,22	17,0	0,669	11/16"
FL93B-04-16	6	1/4"	04	M16X1,5	L10	28,2	1,11	1,5	0,06	32,5	1,28	19,0	0,748	3/4"
FL93B-04-18	6	1/4"	04	M18X1,5	L12	29,5	1,16	1,5	0,06	34,5	1,36	22,0	0,866	7/8"
FL92B-05-14	8	5/16"	05	M14X1,5	L8	30,5	1,20	1,5	0,06	34,0	1,34	17,0	0,669	11/16"
FL93B-05-16	8	5/16"	05	M16X1,5	L10	30,5	1,20	1,5	0,06	33,0	1,30	19,0	0,748	3/4"
FL93B-05-18	8	5/16"	05	M18X1,5	L12	31,5	1,24	1,5	0,06	36,0	1,42	22,0	0,866	7/8"
FL92B-06-16	10	3/8"	06	M16X1,5	L10	34,0	1,34	3,5	0,14	39,5	1,56	19,0	0,748	3/4"
FL93B-06-18	10	3/8"	06	M18X1,5	L12	30,5	1,20	1,5	0,06	36,0	1,42	22,0	0,866	7/8"
FL93B-06-22	10	3/8"	06	M22X1,5	L15	31,5	1,24	2,5	0,10	40,0	1,57	27,0	1,063	1.1/16"
FL93B-08-22	12	1/2"	08	M22X1,5	L15	38,2	1,50	2,5	0,10	40,0	1,57	27,0	1,063	1.1/16"
FL93B-08-26	12	1/2"	08	M26X1,5	L18	39,0	1,53	2,0	0,08	49,0	1,93	32,0	1,260	1.1/4"
FL92B-10-22	16	5/8"	10	M22X1,5	L15	54,0	2,13	2,5	0,10	55,5	2,19	27,0	1,063	1.1/16"
FL93B-10-26	16	5/8"	10	M26X1,5	L18	54,0	2,13	2,0	0,08	53,0	2,09	32,0	1,260	1.1/4"
FL93B-10-27	16	5/8"	10	M27X1,5	L18	54,0	2,13	2,0	0,08	53,0	2,09	32,0	1,260	1.1/4"
FL93B-12-30	19	3/4"	12	M30X2	L22	55,5	2,19	3,5	0,14	57,0	2,24	36,0	1,417	1.7/16"
FL92B-16-30	25	1"	16	M30X2	L22	62,0	2,44	3,5	0,14	58,5	2,30	36,0	1,417	1.7/16"
FL93B-16-36	25	1"	16	M36X2	L28	74,0	2,91	3,5	0,14	69,0	2,72	41,0	1,614	1.5/8"
FL93B-16-45	25	1"	16	M45X2	L35	79,5	3,13	3,0	0,12	76,0	2,99	50,0	1,969	2"



← **FL93B FL91B FL92B**

FERRULE

**FITTING**

BSP-BSPT

**METRIC**

JIC

ORFS

SAE

NPTF-NPSM

JIS

SAE 3000 CODE 61

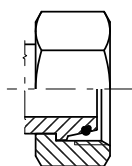
SAE 6000 CODE 62

STAPLE LOCK

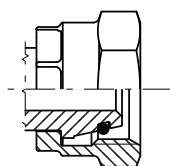
code	ø hose			T	pipe	A		B		D		CH		
	dn	inch	size			mm	in	mm	in	mm	in	mm	in	↗ in
FL92B-20-36	31	1.1/4"	20	M36X2	L28	83,0	3,27	4,5	0,18	72,0	2,83	41,0	1,614	1.5/8"
FL93B-20-45	31	1.1/4"	20	M45X2	L35	85,5	3,37	2,0	0,08	83,0	3,27	50,0	1,969	2"
FL93B-20-52	31	1.1/4"	20	M52X2	L42	85,5	3,37	4,0	0,16	88,0	3,46	60,0	2,362	2.3/8"
FL92B-24-45	38	1.1/2"	24	M45X2	L35	89,6	3,53	3,0	0,12	84,0	3,30	50,0	1,969	2"
FL93B-24-52	38	1.1/2"	24	M52X2	L42	103,0	4,05	3,0	0,12	95,5	3,76	60,0	2,362	2.3/8"

**Nut type**

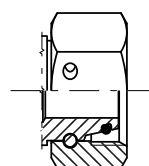
FL93



FL91



FL92

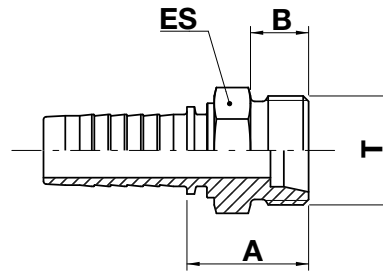


# MS10B


Metric heavy male (24° cone seat)

NO SKIVE / EXTERNAL SKIVE

ISO 8434-1 / DIN 3865



.....  
FERRULE  
.....  
**FITTING**  
BSP-BSPT  
**METRIC**  
JIC  
ORFS  
SAE  
NPTF-NPSM  
JIS  
SAE 3000 CODE 61  
SAE 6000 CODE 62  
STAPLE LOCK

code	ø hose			T	pipe	A		B		ES		
	dn	inch	size			mm	in	mm	in	mm	in	 in
MS10B-04-14	6	1/4"	04	M14X1,5	S6	24,5	0,96	12,0	0,47	14,0	0,551	9/16"
MS10B-04-16	6	1/4"	04	M16X1,5	S8	26,0	1,02	12,0	0,47	17,0	0,669	11/16"
MS10B-04-18	6	1/4"	04	M18X1,5	S10	26,0	1,02	12,0	0,47	19,0	0,748	3/4"
MS10B-04-20	6	1/4"	04	M20X1,5	S12	26,0	1,02	12,0	0,47	22,0	0,866	7/8"
MS10B-05-18	8	5/16"	05	M18X1,5	S10	26,0	1,02	12,0	0,47	19,0	0,748	3/4"
MS10B-05-20	8	5/16"	05	M20X1,5	S12	26,0	1,02	12,0	0,47	22,0	0,866	7/8"
MS10B-05-22	8	5/16"	05	M22X1,5	S14	28,0	1,10	14,0	0,55	22,0	0,866	7/8"
MS10B-06-18	10	3/8"	06	M18X1,5	S10	26,0	1,02	12,0	0,47	19,0	0,748	3/4"
MS10B-06-20	10	3/8"	06	M20X1,5	S12	26,0	1,02	12,0	0,47	22,0	0,866	7/8"
MS10B-06-22	10	3/8"	06	M22X1,5	S14	28,0	1,10	14,0	0,55	22,0	0,866	7/8"
MS10B-06-24	10	3/8"	06	M24X1,5	S16	28,0	1,10	14,0	0,55	24,0	0,945	15/16"
MS10B-08-22	12	1/2"	08	M22X1,5	S14	29,5	1,16	14,0	0,55	22,0	0,866	7/8"
MS10B-08-24	12	1/2"	08	M24X1,5	S16	28,5	1,12	14,0	0,55	24,0	0,945	15/16"
MS10B-10-30	16	5/8"	10	M30X2	S20	33,0	1,30	16,0	0,63	30,0	1,181	1.3/16"
MS10B-12-30	19	3/4"	12	M30X2	S20	33,5	1,32	16,0	0,63	30,0	1,181	1.3/16"
MS10B-12-36	19	3/4"	12	M36X2	S25	36,5	1,44	18,0	0,71	36,0	1,417	1.7/16"
MS10B-16-36	25	1"	16	M36X2	S25	38,0	1,50	18,0	0,71	36,0	1,417	1.7/16"
MS10B-16-42	25	1"	16	M42X2	S30	41,0	1,61	20,0	0,79	46,0	1,811	1.13/16"
MS10B-20-52	31	1.1/4"	20	M52X2	S38	50,0	1,97	22,0	0,87	55,0	2,165	2.3/16"
MS10B-24-52	38	1.1/2"	24	M52X2	S38	50,0	1,97	22,0	0,87	55,0	2,165	2.3/16"

# FS13B FS12B



## Metric heavy female swivel (24° cone seat)

NO SKIVE / EXTERNAL SKIVE

ISO 8434-1 / DIN 3865

FERRULE

## FITTING

BSP-BSPT

**METRIC**

JIC

ORFS

SAE

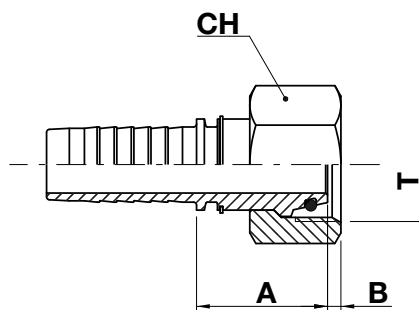
NPTF-NPSM

JIS

SAE 3000 CODE 61

SAE 6000 CODE 62


STAPLE LOCK



code	ø hose			T	pipe	A		B		CH		
	dn	inch	size			mm	in	mm	in	mm	in	↗ in
FS13B-04-14	6	1/4"	04	M14X1,5	S6	22,0	0,87	2,5	0,10	17,0	0,669	11/16"
FS13B-04-16	6	1/4"	04	M16X1,5	S8	26,5	1,04	2,5	0,10	19,0	0,748	3/4"
FS13B-04-18	6	1/4"	04	M18X1,5	S10	33,5	1,32	2,0	0,08	22,0	0,866	7/8"
FS13B-05-18	8	5/16"	05	M18X1,5	S10	24,0	0,94	2,0	0,08	22,0	0,866	7/8"
FS13B-05-20	8	5/16"	05	M20X1,5	S12	26,5	1,04	2,0	0,08	24,0	0,945	15/16"
FS12B-06-16	10	3/8"	06	M16X1,5	S8	24,0	0,94	2,5	0,10	19,0	0,748	3/4"
FS13B-06-18	10	3/8"	06	M18X1,5	S10	24,0	0,94	2,0	0,08	22,0	0,866	7/8"
FS13B-06-20	10	3/8"	06	M20X1,5	S12	26,5	1,04	2,0	0,08	24,0	0,945	15/16"
FS13B-06-22	10	3/8"	06	M22X1,5	S14	29,5	1,16	4,0	0,16	27,0	1,063	1.1/16"
FS13B-06-24	10	3/8"	06	M24X1,5	S16	32,5	1,28	3,0	0,12	30,0	1,181	1.3/16"
FS13B-08-24	12	1/2"	08	M24X1,5	S16	33,0	1,30	3,0	0,12	30,0	1,181	1.3/16"
FS13B-08-30	12	1/2"	08	M30X2	S20	36,0	1,42	3,5	0,14	36,0	1,417	1.7/16"
FS12B-10-24	16	5/8"	10	M24X1,5	S16	27,2	1,07	3,0	0,12	30,0	1,181	1.3/16"
FS13B-10-30	16	5/8"	10	M30X2	S20	34,0	1,34	3,5	0,14	36,0	1,417	1.7/16"
FS12B-12-24	19	3/4"	12	M24X1,5	S16	27,7	1,09	3,0	0,12	30,0	1,181	1.3/16"
FS13B-12-30	19	3/4"	12	M30X2	S20	34,5	1,36	3,5	0,14	36,0	1,417	1.7/16"
FS13B-12-36	19	3/4"	12	M36X2	S25	39,5	1,56	3,0	0,12	46,0	1,811	1.13/16"
FS13B-16-36	25	1"	16	M36X2	S25	42,0	1,65	3,0	0,12	46,0	1,811	1.13/16"
FS13B-16-42	25	1"	16	M42X2	S30	43,0	1,69	6,0	0,24	50,0	1,969	2"

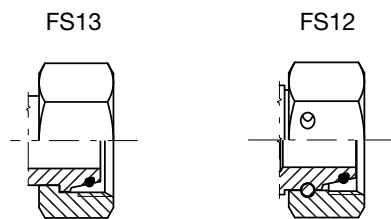


← **FS13B FS12B**

code	ø hose			T	pipe	A		B		CH		
	dn	inch	size			mm	in	mm	in	mm	in	 in
FS13B-20-42	31	1.1/4"	20	M42X2	S30	36,0	1,42	6,0	0,24	50,0	1,969	2"
FS12B-20-52	31	1.1/4"	20	M52X2	S38	48,0	1,89	6,5	0,26	60,0	2,362	2.3/8"
FS13B-24-52	38	1.1/2"	24	M52X2	S38	48,0	1,89	6,5	0,26	60,0	2,362	2.3/8"

- .....
- FERRULE
- .....
- FITTING**
- BSP-BSPT
- METRIC**
- JIC
- ORFS
- SAE
- NPTF-NPSM
- JIS
- SAE 3000 CODE 61
- SAE 6000 CODE 62
- STAPLE LOCK

**Nut type**



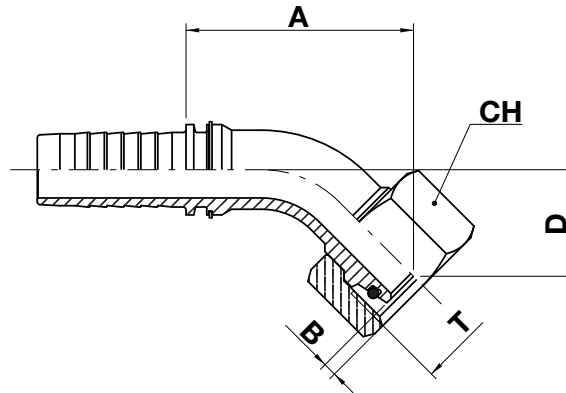
# FS43B FS42B



## Metric heavy female swivel - 45° elbow (24° cone seat)

NO SKIVE / EXTERNAL SKIVE

ISO 8434-1 / DIN 3865



FERRULE

## FITTING

BSP-BSPT

**METRIC**

JIC

ORFS

SAE

NPTF-NPSM

JIS

SAE 3000 CODE 61

SAE 6000 CODE 62

STAPLE LOCK

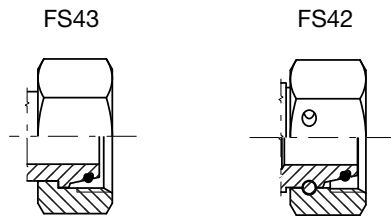
code	ø hose			T	pipe	A		B		D		CH		
	dn	inch	size			mm	in	mm	in	mm	in	mm	in	in
FS43B-04-14	6	1/4"	04	M14X1,5	S6	35,6	1,40	2,5	0,10	16,0	0,63	17,0	0,669	11/16"
FS43B-04-16	6	1/4"	04	M16X1,5	S8	36,3	1,43	2,5	0,10	16,6	0,65	19,0	0,748	3/4"
FS43B-04-18	6	1/4"	04	M18X1,5	S10	37,7	1,48	2,0	0,08	18,0	0,71	22,0	0,866	7/8"
FS43B-05-20	8	5/16"	05	M20X1,5	S12	41,0	1,61	2,0	0,08	19,2	0,76	24,0	0,945	15/16"
FS43B-06-18	10	3/8"	06	M18X1,5	S10	42,2	1,66	1,5	0,06	19,2	0,76	22,0	0,866	7/8"
FS43B-06-20	10	3/8"	06	M20X1,5	S12	42,0	1,65	2,0	0,08	19,2	0,76	24,0	0,945	15/16"
FS43B-06-22	10	3/8"	06	M22X1,5	S14	45,0	1,77	4,0	0,16	22,0	0,87	27,0	1,063	1.1/16"
FS43B-08-24	12	1/2"	08	M24X1,5	S16	50,0	1,97	3,0	0,12	22,6	0,89	30,0	1,181	1.3/16"
FS42B-10-24	16	5/8"	10	M24X1,5	S16	64,5	2,54	3,0	0,12	27,6	1,09	30,0	1,181	1.3/16"
FS43B-10-30	16	5/8"	10	M30X2	S20	64,0	2,52	3,5	0,14	26,9	1,06	36,0	1,417	1.7/16"
FS42B-12-24	19	3/4"	12	M24X1,5	S16	74,0	2,91	3,0	0,12	28,6	1,13	30,0	1,181	1.3/16"
FS43B-12-30	19	3/4"	12	M30X2	S20	60,4	2,38	3,5	0,14	28,3	1,11	36,0	1,417	1.7/16"
FS43B-12-36	19	3/4"	12	M36X2	S25	68,9	2,71	3,0	0,12	30,4	1,20	46,0	1,811	1.13/16"
FS43B-16-36	25	1"	16	M36X2	S25	87,0	3,43	3,0	0,12	34,8	1,37	46,0	1,811	1.13/16"
FS43B-16-42	25	1"	16	M42X2	S30	89,0	3,50	6,0	0,24	37,3	1,47	50,0	1,969	2"
FS42B-20-42	31	1.1/4"	20	M42X2	S30	102,5	4,04	6,0	0,24	41,7	1,64	50,0	1,969	2"
FS43B-20-52	31	1.1/4"	20	M52X2	S38	121,3	4,78	6,5	0,26	45,6	1,80	60,0	2,362	2.3/8"
FS43B-24-52	38	1.1/2"	24	M52X2	S38	121,0	4,76	6,5	0,26	50,2	1,98	60,0	2,362	2.3/8"



← **FS43B FS42B**

---

**Nut type**



- .....
- FERRULE
- .....
- FITTING**
- BSP-BSPT
- METRIC**
- JIC
- ORFS
- SAE
- NPTF-NPSM
- JIS
- SAE 3000 CODE 61
- SAE 6000 CODE 62
- STAPLE LOCK



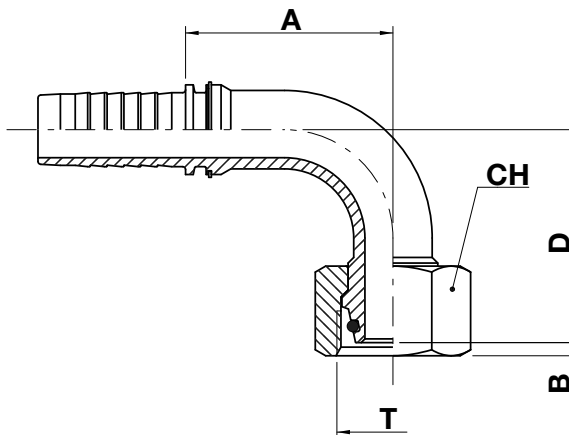
# FS93B FS92B



## Metric heavy female swivel - 90° elbow (24° cone seat)

NO SKIVE / EXTERNAL SKIVE

ISO 8434-1 / DIN 3865



FERRULE

## FITTING

BSP-BSPT

**METRIC**

JIC

ORFS

SAE

NPTF-NPSM

JIS

SAE 3000 CODE 61

SAE 6000 CODE 62

STAPLE LOCK

code	ø hose			T	pipe	A		B		D		CH		
	dn	inch	size			mm	in	mm	in	mm	in	mm	in	in
FS93B-04-14	6	1/4"	04	M14X1,5	S6	28,0	1,10	2,5	0,10	31,8	1,25	17,0	0,669	11/16"
FS93B-04-16	6	1/4"	04	M16X1,5	S8	28,2	1,11	2,5	0,10	32,5	1,28	19,0	0,748	3/4"
FS93B-04-18	6	1/4"	04	M18X1,5	S10	28,2	1,11	2,0	0,08	34,5	1,36	22,0	0,866	7/8"
FS93B-05-20	8	5/16"	05	M20X1,5	S12	30,5	1,20	2,0	0,08	36,0	1,42	24,0	0,945	15/16"
FS92B-06-18	10	3/8"	06	M18X1,5	S10	30,5	1,20	2,0	0,08	36,0	1,42	22,0	0,866	7/8"
FS93B-06-20	10	3/8"	06	M20X1,5	S12	30,5	1,20	2,0	0,08	36,0	1,42	24,0	0,945	15/16"
FS93B-06-22	10	3/8"	06	M22X1,5	S14	31,5	1,24	4,0	0,16	40,0	1,57	27,0	1,063	1.1/16"
FS93B-08-24	12	1/2"	08	M24X1,5	S16	38,2	1,50	3,0	0,12	42,5	1,67	30,0	1,181	1.3/16"
FS93B-10-30	16	5/8"	10	M30X2	S20	54,0	2,13	3,5	0,14	55,0	2,17	36,0	1,417	1.7/16"
FS93B-10-36	16	5/8"	10	M36X2	S25	56,0	2,20	3,0	0,12	60,0	2,36	46,0	1,811	1.13/16"
FS92B-12-24	19	3/4"	12	M24X1,5	S16	56,0	2,20	3,0	0,12	57,5	2,26	30,0	1,181	1.3/16"
FS93B-12-30	19	3/4"	12	M30X2	S20	55,5	2,19	3,5	0,14	57,0	2,24	36,0	1,417	1.7/16"
FS93B-12-36	19	3/4"	12	M36X2	S25	55,5	2,19	3,0	0,12	60,0	2,36	46,0	1,811	1.13/16"
FS93B-16-36	25	1"	16	M36X2	S25	74,0	2,91	3,0	0,12	71,5	2,81	46,0	1,811	1.13/16"
FS93B-16-42	25	1"	16	M42X2	S30	74,0	2,91	6,0	0,24	75,0	2,95	50,0	1,969	2"
FS92B-20-42	31	1.1/4"	20	M42X2	S30	85,5	3,37	6,0	0,24	83,0	3,27	50,0	1,969	2"
FS93B-20-52	31	1.1/4"	20	M52X2	S38	102,0	4,02	6,5	0,26	95,6	3,76	60,0	2,362	2.3/8"
FS93B-24-52	38	1.1/2"	24	M52X2	S38	103,0	4,06	6,5	0,26	101,5	4,00	60,0	2,362	2.3/8"

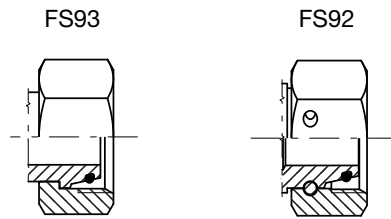




← **FS93B FS92B**

---

**Nut type**



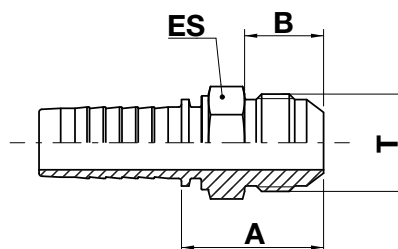
- .....
- FERRULE
- .....
- FITTING**
- BSP-BSPT
- METRIC**
- JIC
- ORFS
- SAE
- NPTF-NPSM
- JIS
- SAE 3000 CODE 61
- SAE 6000 CODE 62
- STAPLE LOCK



# MJ10B

**JIC 37° male****NO SKIVE / EXTERNAL SKIVE**

ISO 8434-2 / SAE J514



FERRULE

**FITTING**

BSP-BSPT

METRIC

**JIC**

ORFS

SAE


NPTF-NPSM

JIS

SAE 3000 CODE 61


SAE 6000 CODE 62

STAPLE LOCK

code	ø hose			T	A		B		ES		
	dn	inch	size		mm	in	mm	in	mm	in	 in
MJ10B-03-04	5	3/16"	03	7/16"-20	25,8	1,02	14,0	0,55	14,0	0,551	9/16"
MJ10B-04-04	6	1/4"	04	7/16"-20	26,5	1,04	14,0	0,55	14,0	0,551	9/16"
MJ10B-04-05	6	1/4"	04	1/2"-20	26,5	1,04	14,0	0,55	14,0	0,551	9/16"
MJ10B-04-06	6	1/4"	04	9/16"-18	27,5	1,08	14,0	0,55	17,0	0,669	11/16"
MJ10B-05-05	8	5/16"	05	1/2"-20	26,5	1,04	14,0	0,55	14,0	0,551	9/16"
MJ10B-05-06	8	5/16"	05	9/16"-18	27,5	1,08	14,1	0,56	17,0	0,669	11/16"
MJ10B-06-06	10	3/8"	06	9/16"-18	27,5	1,08	14,1	0,56	17,0	0,669	11/16"
MJ10B-06-08	10	3/8"	06	3/4"-16	30,2	1,19	16,7	0,66	19,0	0,748	3/4"
MJ10B-06-10	10	3/8"	06	7/8"-14	34,8	1,37	19,3	0,76	24,0	0,945	15/16"
MJ10B-08-06	12	1/2"	08	9/16"-18	28,1	1,11	14,1	0,56	19,0	0,748	3/4"
MJ10B-08-08	12	1/2"	08	3/4"-16	30,7	1,21	16,7	0,66	19,0	0,748	3/4"
MJ10B-08-10	12	1/2"	08	7/8"-14	35,0	1,38	19,3	0,76	24,0	0,945	15/16"
MJ10B-08-12	12	1/2"	08	1.1/16"-12	39,0	1,54	21,9	0,86	27,0	1,063	1.1/16"
MJ10B-10-08	16	5/8"	10	3/4"-16	33,5	1,32	16,7	0,66	24,0	0,945	15/16"
MJ10B-10-10	16	5/8"	10	7/8"-14	35,0	1,38	19,3	0,76	24,0	0,945	15/16"
MJ10B-10-12	16	5/8"	10	1.1/16"-12	39,0	1,54	21,9	0,86	27,0	1,063	1.1/16"
MJ10B-12-10	19	3/4"	12	7/8"-14	36,5	1,44	19,3	0,76	27,0	1,063	1.1/16"
MJ10B-12-12	19	3/4"	12	1.1/16"-12	39,4	1,55	21,9	0,86	27,0	1,063	1.1/16"
MJ10B-12-14	19	3/4"	12	1.3/16"-12	40,0	1,57	22,6	0,89	32,0	1,260	1.1/4"



## ← MJ10B

code	ø hose			T	A		B		ES		
	dn	inch	size		mm	in	mm	in	mm	in	 in
MJ10B-12-16	19	3/4"	12	1.5/16"-12	45,5	1,79	23,1	0,91	36,0	1,417	1.7/16"
MJ10B-16-16	25	1"	16	1.5/16"-12	47,1	1,85	23,1	0,91	36,0	1,417	1.7/16"
MJ10B-16-20	25	1"	16	1.5/8"-12	58,5	2,30	24,3	0,96	46,0	1,811	1.13/16"
MJ10B-20-20	31	1.1/4"	20	1.5/8"-12	62,8	2,47	24,3	0,96	46,0	1,811	1.13/16"
MJ10B-24-24	38	1.1/2"	24	1.7/8"-12	66,0	2,60	27,5	1,08	50,0	1,969	2"
MJ10B-32-32	51	2"	32	2.1/2"-12	86,5	3,40	33,9	1,33	65,0	2,559	2.9/16"

.....  
FERRULE.....  
**FITTING**

BSP-BSPT

METRIC

**JIC**

ORFS

SAE

NPTF-NPSM

JIS

SAE 3000 CODE 61

SAE 6000 CODE 62

STAPLE LOCK



**FJ11B** FJ13B FJ12B**JIC 37° female swivel**

NO SKIVE / EXTERNAL SKIVE

ISO 8434-2 / SAE J514

FERRULE

**FITTING**

BSP-BSPT

METRIC

**JIC**

ORFS

SAE

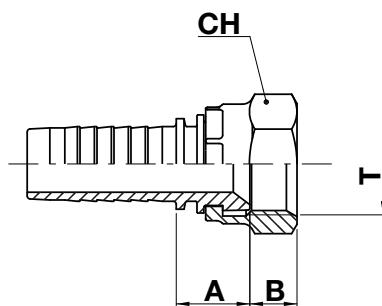
NPTF-NPSM

JIS

SAE 3000 CODE 61

SAE 6000 CODE 62


STAPLE LOCK



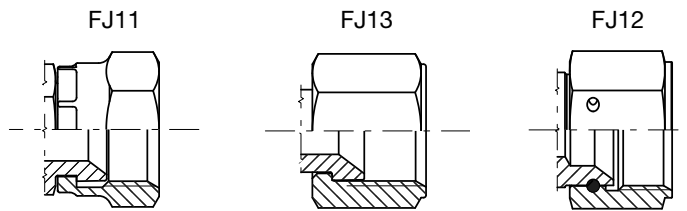
code	ø hose			T	A		B		CH		
	dn	inch	size		mm	in	mm	in	mm	in	in
FJ11B-04-04	6	1/4"	04	7/16"-20	14,5	0,57	9,7	0,38	14,0	0,551	9/16"
FJ11B-04-05	6	1/4"	04	1/2"-20	15,5	0,61	9,5	0,37	17,0	0,669	11/16"
FJ13B-04-06	6	1/4"	04	9/16"-18	15,5	0,61	9,5	0,37	19,0	0,748	3/4"
FJ13B-04-08	6	1/4"	04	3/4"-16	18,5	0,73	10,7	0,42	22,0	0,866	7/8"
FJ11B-05-05	8	5/16"	05	1/2"-20	15,5	0,61	9,5	0,37	17,0	0,669	11/16"
FJ11B-05-06	8	5/16"	05	9/16"-18	17,0	0,67	9,5	0,37	19,0	0,748	3/4"
FJ11B-06-06	10	3/8"	06	9/16"-18	17,0	0,67	9,5	0,37	19,0	0,748	3/4"
FJ13B-06-08	10	3/8"	06	3/4"-16	18,5	0,73	10,7	0,42	22,0	0,866	7/8"
FJ11B-08-08	12	1/2"	08	3/4"-16	18,5	0,73	10,7	0,42	22,0	0,866	7/8"
FJ13B-08-10	12	1/2"	08	7/8"-14	20,5	0,81	12,5	0,49	27,0	1,063	1.1/16"
FJ11B-08-12	12	1/2"	08	1.1/16"-12	23,0	0,91	14,3	0,56	32,0	1,260	1.1/4"
FJ11B-10-10	16	5/8"	10	7/8"-14	21,0	0,83	12,7	0,50	27,0	1,063	1.1/16"
FJ11B-10-12	16	5/8"	10	1.1/16"-12	22,2	0,87	14,3	0,56	32,0	1,260	1.1/4"
FJ11B-12-12	19	3/4"	12	1.1/16"-12	21,0	0,83	13,8	0,54	32,0	1,260	1.1/4"
FJ11B-12-16	19	3/4"	12	1.5/16"-12	28,5	1,12	15,1	0,59	38,0	1,496	1.1/2"
FJ11B-16-16	25	1"	16	1.5/16"-12	26,5	1,04	15,1	0,59	38,0	1,496	1.1/2"
FJ12B-16-20	25	1"	16	1.5/8"-12	30,0	1,18	16,0	0,63	50,0	1,969	2"
FJ11B-20-16	31	1.1/4"	20	1.5/16"-12	29,5	1,16	15,1	0,59	38,0	1,496	1.1/2"
FJ12B-20-20	31	1.1/4"	20	1.5/8"-12	29,0	1,14	16,0	0,63	50,0	1,969	2"



← **FJ11B FJ13B FJ12B**

code	ø hose			T	A		B		CH		
	dn	inch	size		mm	in	mm	in	mm	in	 in
FJ12B-20-24	31	1.1/4"	20	1.7/8"-12	31,4	1,24	18,5	0,73	55,0	2,165	2.3/16"
FJ12B-24-24	38	1.1/2"	24	1.7/8"-12	31,4	1,24	18,5	0,73	55,0	2,165	2.3/16"
FJ12B-32-32	51	2"	32	2.1/2"-12	38,0	1,50	24,0	0,94	75,0	2,953	-

**Nut type**



- .....
- FERRULE
- .....
- FITTING**
- BSP-BSPT
- METRIC
- JIC**
- ORFS
- SAE
- NPTF-NPSM
- JIS
- SAE 3000 CODE 61
- SAE 6000 CODE 62
- STAPLE LOCK



## FJH11B FJH16B FJH12B



**JIC 37° female swivel (double hex)**

**NO SKIVE / EXTERNAL SKIVE**

ISO 8434-2 / SAE J514

FERRULE

**FITTING**

BSP-BSPT

METRIC

**JIC**

ORFS

SAE

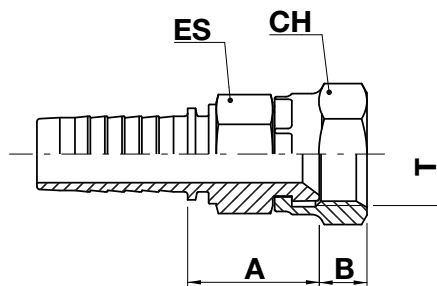
NPTF-NPSM

JIS

SAE 3000 CODE 61

SAE 6000 CODE 62



STAPLE LOCK



code	ø hose			T	A		B		ES			CH		
	dn	inch	size		mm	in	mm	in	mm	in	↗ in	mm	in	↗ in
FJH11B-03-04	5	3/16"	03	7/16"-20	19,5	0,77	8,5	0,33	11,11	0,437	7/16"	14,0	0,551	9/16"
FJH16B-03-05	5	3/16"	03	1/2"-20	20,8	0,82	9,5	0,37	14,0	0,551	9/16"	17,46	0,687	11/16"
FJH11B-04-04	6	1/4"	04	7/16"-20	20,8	0,82	8,5	0,33	14,0	0,551	9/16"	14,0	0,551	9/16"
FJH11B-04-05	6	1/4"	04	1/2"-20	21,5	0,85	9,5	0,37	14,0	0,551	9/16"	17,0	0,669	11/16"
FJH11B-04-06	6	1/4"	04	9/16"-18	23,0	0,91	9,5	0,37	14,0	0,551	9/16"	19,0	0,748	3/4"
FJH16B-04-06	6	1/4"	04	9/16"-18	23,0	0,91	9,5	0,37	14,0	0,551	9/16"	17,46	0,687	11/16"
FJH11B-05-06	8	5/16"	05	9/16"-18	21,0	0,83	9,5	0,37	14,0	0,551	9/16"	19,0	0,748	3/4"
FJH16B-05-06	8	5/16"	05	9/16"-18	21,0	0,83	9,5	0,37	14,0	0,551	9/16"	17,46	0,687	11/16"
FJH11B-06-04	10	3/8"	06	7/16"-20	22,0	0,87	8,5	0,33	17,0	0,669	11/16"	14,0	0,551	9/16"
FJH11B-06-05	10	3/8"	06	1/2"-20	22,5	0,89	9,5	0,37	17,0	0,669	11/16"	17,0	0,669	11/16"
FJH16B-06-05	10	3/8"	06	1/2"-20	22,5	0,89	9,5	0,37	17,46	0,687	11/16"	17,46	0,687	11/16"
FJH11B-06-06	10	3/8"	06	9/16"-18	24,0	0,94	9,5	0,37	17,0	0,669	11/16"	19,0	0,748	3/4"
FJH16B-06-06	10	3/8"	06	9/16"-18	24,0	0,94	9,5	0,37	17,0	0,669	11/16"	17,46	0,687	11/16"
FJH11B-06-08	10	3/8"	06	3/4"-16	26,0	1,02	10,7	0,42	19,0	0,748	3/4"	22,0	0,866	7/8"
FJH11B-06-10	10	3/8"	06	7/8"-14	28,5	1,12	12,7	0,50	22,0	0,866	7/8"	27,0	1,063	1.1/16"
FJH11B-06-12	10	3/8"	06	1.1/16"-12	33,5	1,32	14,3	0,56	27,0	1,063	1.1/16"	32,0	1,260	1.1/4"
FJH11B-08-06	12	1/2"	08	9/16"-18	26,5	1,04	9,5	0,37	19,0	0,748	3/4"	19,0	0,748	3/4"
FJH16B-08-06	12	1/2"	08	9/16"-18	26,5	1,04	9,5	0,37	19,0	0,748	3/4"	17,46	0,687	11/16"
FJH11B-08-08	12	1/2"	08	3/4"-16	26,5	1,04	10,7	0,42	19,0	0,748	3/4"	22,0	0,866	7/8"

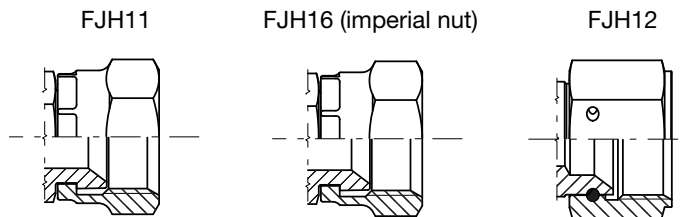


← **FJH11B FJH16B FJH12B**

code	ø hose			T	A		B		ES			CH		
	dn	inch	size		mm	in	mm	in	mm	in	 in	mm	in	 in
FJH11B-08-10	12	1/2"	08	7/8"-14	28,5	1,12	12,7	0,50	22,0	0,866	7/8"	27,0	1,063	1.1/16"
FJH11B-08-12	12	1/2"	08	1.1/16"-12	34,0	1,34	14,3	0,56	27,0	1,063	1.1/16"	32,0	1,260	1.1/4"
FJH11B-08-16	12	1/2"	08	1.5/16"-12	41,5	1,63	15,1	0,61	32,0	1,216	1.1/4"	38,0	1,496	1.1/2"
FJH11B-10-08	16	5/8"	10	3/4"-16	28,5	1,12	10,7	0,42	22,0	0,866	7/8"	22,0	0,866	7/8"
FJH11B-10-10	16	5/8"	10	7/8"-14	28,5	1,12	12,7	0,50	22,0	0,866	7/8"	27,0	1,063	1.1/16"
FJH11B-10-12	16	5/8"	10	1.1/16"-12	34,0	1,34	14,3	0,56	27,0	1,063	1.1/16"	32,0	1,260	1.1/4"
FJH11B-12-10	19	3/4"	12	7/8"-14	35,0	1,38	12,7	0,50	27,0	1,063	1.1/16"	27,0	1,063	1.1/16"
FJH11B-12-12	19	3/4"	12	1.1/16"-12	34,5	1,36	14,3	0,56	27,0	1,063	1.1/16"	32,0	1,260	1.1/4"
FJH11B-12-14	19	3/4"	12	1.3/16"-12	31,0	1,22	14,5	0,57	30,0	1,181	1.3/16"	36,0	1,417	1.7/16"
FJH11B-12-16	19	3/4"	12	1.5/16"-12	38,5	1,51	15,1	0,61	32,0	1,216	1.1/4"	38,0	1,496	1.1/2"
FJH11B-16-12	25	1"	16	1.1/16"-12	38,0	1,50	14,3	0,56	32,0	1,216	1.1/4"	32,0	1,260	1.1/4"
FJH11B-16-16	25	1"	16	1.5/16"-12	38,0	1,50	15,1	0,59	32,0	1,216	1.1/4"	38,0	1,496	1.1/2"
FJH12B-20-20	31	1.1/4"	20	1.5/8"-12	49,5	1,95	16,0	0,63	41,0	1,614	1.5/8"	50,0	1,969	2"
FJH12B-24-24	38	1.1/2"	24	1.7/8"-12	56,9	2,24	18,5	0,73	50,0	1,969	2"	55,0	2,165	2.3/16"
FJH12B-32-32	51	2"	32	2.1/2"-12	74,0	2,91	24,0	0,94	65,0	2,559	2.9/16"	75,0	2,953	1.1/4"

.....  
 FERRULE  
 .....  
**FITTING**  
 BSP-BSPT  
 METRIC  
**JIC**  
 ORFS  
 SAE  
 NPTF-NPSM  
 JIS  
 SAE 3000 CODE 61  
 SAE 6000 CODE 62  
 STAPLE LOCK

**Nut type**



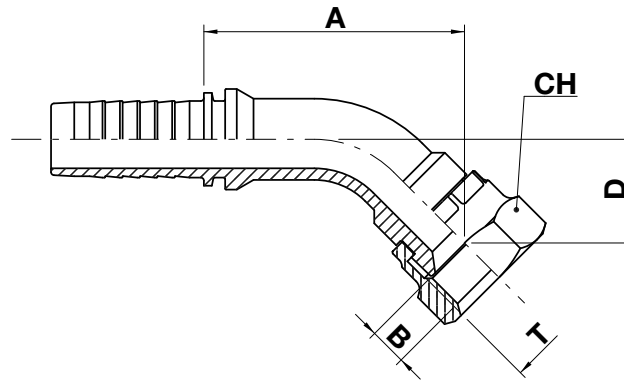
# FJ41B FJ46B FJ43B FJ42B



## JIC 37° female swivel - 45° elbow

NO SKIVE / EXTERNAL SKIVE

ISO 8434-2 / SAE J514



FERRULE

## FITTING

BSP-BSPT

METRIC

**JIC**

ORFS

SAE

NPTF-NPSM

JIS

SAE 3000 CODE 61

SAE 6000 CODE 62


STAPLE LOCK

code	ø hose			T	A		B		D		CH		
	dn	inch	size		mm	in	mm	in	mm	in	mm	in	in
FJ41B-03-04	5	3/16"	03	7/16"-20	35,3	1,39	8,7	0,34	14,1	0,55	14,0	0,551	9/16"
FJ41B-04-04	6	1/4"	04	7/16"-20	32,0	1,26	8,7	0,34	11,1	0,44	14,0	0,551	9/16"
FJ41B-04-05	6	1/4"	04	1/2"-20	34,5	1,36	9,5	0,37	14,8	0,58	17,0	0,669	11/16"
FJ43B-04-06	6	1/4"	04	9/16"-18	33,1	1,30	9,5	0,37	13,4	0,53	19,0	0,748	3/4"
FJ46B-04-06	6	1/4"	04	9/16"-18	33,1	1,30	9,5	0,37	13,4	0,53	17,46	0,687	11/16"
FJ41B-05-05	8	5/16"	05	1/2"-20	38,5	1,51	9,5	0,37	14,8	0,59	17,0	0,669	11/16"
FJ41B-05-06	8	5/16"	05	9/16"-18	30,9	1,22	9,5	0,37	12,1	0,48	19,0	0,748	3/4"
FJ46B-05-06	8	5/16"	05	9/16"-18	30,9	1,22	9,5	0,37	12,1	0,48	17,46	0,687	11/16"
FJ41B-06-05	10	3/8"	06	1/2"-20	38,5	1,51	9,5	0,37	14,8	0,59	17,0	0,669	11/16"
FJ41B-06-06	10	3/8"	06	9/16"-18	33,9	1,33	9,5	0,37	12,1	0,48	19,0	0,748	3/4"
FJ46B-06-06	10	3/8"	06	9/16"-18	33,9	1,33	9,5	0,37	12,1	0,48	17,46	0,687	11/16"
FJ43B-06-08	10	3/8"	06	3/4"-16	42,5	1,67	10,7	0,42	15,0	0,59	22,0	0,866	7/8"
FJ43B-06-10	10	3/8"	06	7/8"-14	50,5	1,99	12,5	0,49	19,4	0,76	27,0	1,063	1.1/16"
FJ41B-08-08	12	1/2"	08	3/4"-16	40,7	1,60	10,7	0,42	13,8	0,54	22,0	0,866	7/8"
FJ43B-08-10	12	1/2"	08	7/8"-14	44,0	1,73	12,5	0,49	16,0	0,63	27,0	1,063	1.1/16"
FJ41B-08-12	12	1/2"	08	1.1/16"-12	60,5	2,38	14,3	0,56	21,0	0,83	32,0	1,260	1.1/4"
FJ41B-10-10	16	5/8"	10	7/8"-14	54,0	2,13	12,7	0,50	16,0	0,63	27,0	1,063	1.1/16"
FJ41B-10-12	16	5/8"	10	1.1/16"-12	60,5	2,38	14,3	0,56	21,0	0,83	32,0	1,260	1.1/4"
FJ41B-12-12	19	3/4"	12	1.1/16"-12	64,5	2,54	14,3	0,56	21,0	0,83	32,0	1,260	1.1/4"



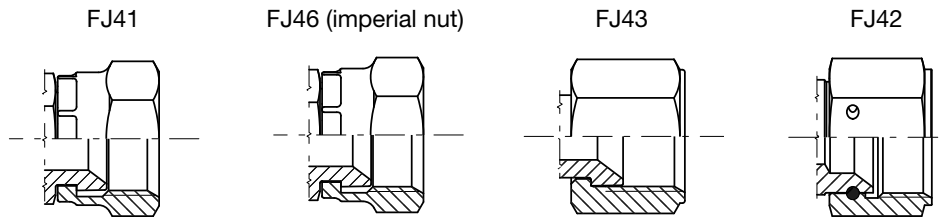


← **FJ41B FJ46B FJ43B FJ42B**

code	ø hose			T	A		B		D		CH		
	dn	inch	size		mm	in	mm	in	mm	in	mm	in	 in
FJ41B-12-16	19	3/4"	12	1.5/16"-12	71,5	2,81	15,1	0,61	31,8	1,25	38,0	1,496	1.1/2"
FJ41B-16-16	25	1"	16	1.5/16"-12	86,0	3,38	15,1	0,61	34,5	1,35	38,0	1,496	1.1/2"
FJ41B-20-16	31	1.1/4"	20	1.5/16"-12	97,0	3,81	15,1	0,61	34,5	1,35	38,0	1,496	1.1/2"
FJ42B-20-20	31	1.1/4"	20	1.5/8"-12	97,0	3,82	16,0	0,63	37,5	1,48	50,0	1,969	2"
FJ42B-24-24	38	1.1/2"	24	1.7/8"-12	119,0	4,69	18,5	0,73	49,2	1,94	55,0	2,165	2.3/16"
FJ42B-32-32	51	2"	32	2.1/2"-12	152,6	6,01	24,0	0,94	68,8	2,71	75,0	2,953	-

- .....
- FERRULE
- .....
- FITTING**
- BSP-BSPT
- METRIC
- JIC**
- ORFS
- SAE
- NPTF-NPSM
- JIS
- SAE 3000 CODE 61
- SAE 6000 CODE 62
- STAPLE LOCK

**Nut type**



# FJ91B

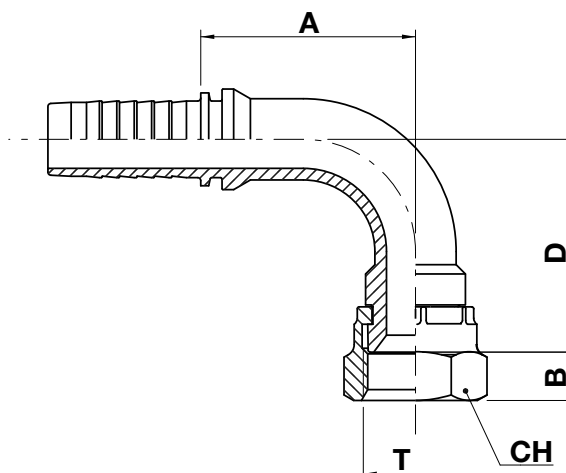
FJ96B FJ93B FJ92B



## JIC 37° female swivel - 90° elbow

NO SKIVE / EXTERNAL SKIVE

ISO 8434-2 / SAE J514



FERRULE

### FITTING

BSP-BSPT

METRIC

**JIC**

ORFS

SAE

NPTF-NPSM

JIS

SAE 3000 CODE 61

SAE 6000 CODE 62

STAPLE LOCK

code	ø hose			T	A		B		D		CH		
	dn	inch	size		mm	in	mm	in	mm	in	mm	in	in
FJ91B-03-04	5	3/16"	03	7/16"-20	26,5	1,04	8,7	0,34	21,0	0,83	14,0	0,551	9/16"
FJ91B-04-04	6	1/4"	04	7/16"-20	27,0	1,06	8,7	0,34	21,0	0,83	14,0	0,551	9/16"
FJ91B-04-05	6	1/4"	04	1/2"-20	30,8	1,21	9,5	0,37	30,0	1,18	17,0	0,669	11/16"
FJ96B-04-05	6	1/4"	04	1/2"-20	30,8	1,21	9,5	0,37	30,0	1,18	17,46	0,687	11/16"
FJ91B-04-06	6	1/4"	04	9/16"-18	28,5	1,12	9,5	0,37	23,0	0,91	19,0	0,748	3/4"
FJ93B-04-06	6	1/4"	04	9/16"-18	28,5	1,12	9,5	0,37	28,0	1,10	19,0	0,748	3/4"
FJ96B-04-06	6	1/4"	04	9/16"-18	28,5	1,12	9,5	0,37	23,0	0,91	17,46	0,687	11/16"
FJ91B-05-05	8	5/16"	05	1/2"-20	32,8	1,26	9,5	0,37	30,0	1,18	17,0	0,669	11/16"
FJ91B-05-06	8	5/16"	05	9/16"-18	26,8	1,06	9,5	0,37	23,0	0,91	19,0	0,748	3/4"
FJ96B-05-06	8	5/16"	05	9/16"-18	26,8	1,06	9,5	0,37	23,0	0,91	17,46	0,687	11/16"
FJ91B-06-05	10	3/8"	06	1/2"-20	33,0	1,26	9,5	0,37	30,0	1,18	17,0	0,669	11/16"
FJ91B-06-06	10	3/8"	06	9/16"-18	27,8	1,09	9,5	0,37	23,0	0,91	19,0	0,748	3/4"
FJ96B-06-06	10	3/8"	06	9/16"-18	27,8	1,09	9,5	0,37	23,0	0,91	17,46	0,687	11/16"
FJ93B-06-08	10	3/8"	06	3/4"-16	35,0	1,38	10,7	0,42	30,0	1,18	22,0	0,866	7/8"
FJ93B-06-10	10	3/8"	06	7/8"-14	37,1	1,46	12,5	0,49	38,0	1,50	27,0	1,063	1.1/16"
FJ91B-08-06	12	1/2"	08	9/16"-18	33,5	1,32	9,5	0,37	23,0	0,91	19,0	0,748	3/4"
FJ96B-08-06	12	1/2"	08	9/16"-18	33,5	1,32	9,5	0,37	23,0	0,91	17,46	0,687	11/16"
FJ91B-08-08	12	1/2"	08	3/4"-16	39,5	1,56	10,7	0,42	30,0	1,18	22,0	0,866	7/8"
FJ93B-08-10	12	1/2"	08	7/8"-14	44,0	1,73	12,5	0,49	32,0	1,26	27,0	1,063	1.1/16"

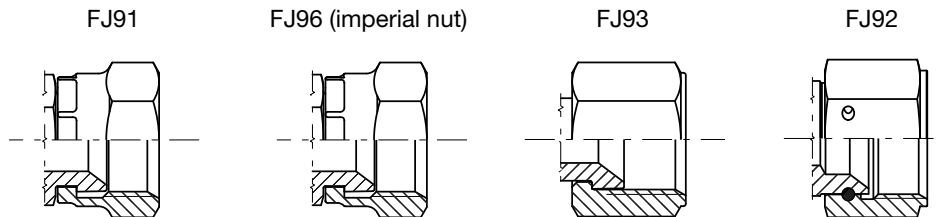


← **FJ91B FJ96B FJ93B FJ92B**

code	ø hose			T	A		B		D		CH		
	dn	inch	size		mm	in	mm	in	mm	in	mm	in	↻ in
FJ91B-08-12	12	1/2"	08	1.1/16"-12	44,0	1,73	14,3	0,56	48,0	1,89	32,0	1,260	1.1/4"
FJ91B-10-10	16	5/8"	10	7/8"-14	48,5	1,91	12,5	0,49	32,0	1,26	27,0	1,063	1.1/16"
FJ91B-10-12	16	5/8"	10	1.1/16"-12	56,0	2,20	14,3	0,56	48,0	1,89	32,0	1,260	1.1/4"
FJ91B-12-12	19	3/4"	12	1.1/16"-12	61,0	2,40	14,3	0,56	48,0	1,89	32,0	1,260	1.1/4"
FJ91B-12-16	19	3/4"	12	1.5/16"-12	55,5	2,19	15,1	0,61	62,0	2,44	38,0	1,496	1.1/2"
FJ91B-16-16	25	1"	16	1.5/16"-12	75,5	2,97	15,1	0,61	71,0	2,80	38,0	1,496	1.1/2"
FJ92B-16-20	25	1"	16	1.5/8"-12	79,5	3,13	16,0	0,63	79,5	3,13	50,0	1,969	2"
FJ91B-20-16	31	1.1/4"	20	1.5/16"-12	86,0	3,38	15,1	0,61	71,0	2,80	38,0	1,496	1.1/2"
FJ92B-20-20	31	1.1/4"	20	1.5/8"-12	85,5	3,37	16,0	0,63	77,0	3,03	50,0	1,969	2"
FJ92B-20-24	31	1.1/4"	20	1.7/8"-12	85,5	3,37	18,5	0,73	88,0	3,46	55,0	2,165	2.3/16"
FJ92B-24-24	38	1.1/2"	24	1.7/8"-12	102,0	4,02	18,5	0,73	100,0	3,94	55,0	2,165	2.3/16"
FJ92B-32-32	51	2"	32	2.1/2"-12	130,5	5,14	24,0	0,94	140,0	5,51	75,0	2,953	-

.....  
 FERRULE  
 .....  
**FITTING**  
 BSP-BSPT  
 METRIC  
**JIC**  
 ORFS  
 SAE  
 NPTF-NPSM  
 JIS  
 SAE 3000 CODE 61  
 SAE 6000 CODE 62  
 STAPLE LOCK

**Nut type**

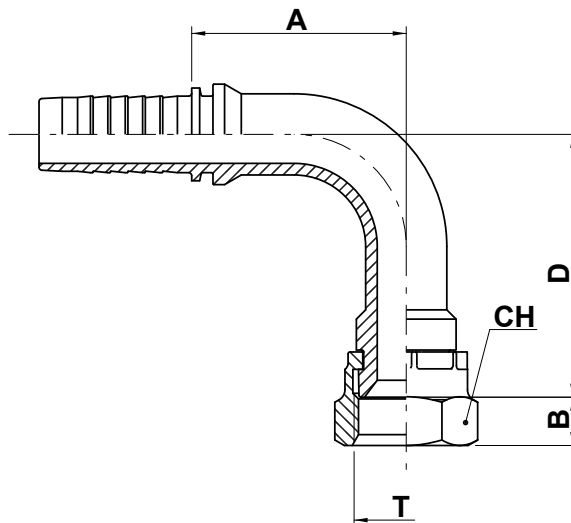


## FJ91B-M FJ93B-M

JIC 37° female swivel - 90° elbow (medium drop)

NO SKIVE / EXTERNAL SKIVE

ISO 8434-2 / SAE J514



FERRULE

**FITTING**

BSP-BSPT

METRIC

**JIC**

ORFS

SAE

NPTF-NPSM

JIS

SAE 3000 CODE 61

SAE 6000 CODE 62

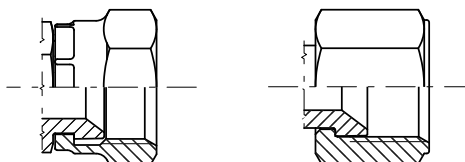
STAPLE LOCK

code	ø hose			T	A		B		D		CH		
	dn	inch	size		mm	in	mm	in	mm	in	mm	in	in
FJ91B-04-04-M	6	1/4"	04	7/16"-20	27,0	1,06	8,7	0,34	32,0	1,26	14,0	0,551	9/16"
FJ93B-04-06-M	6	1/4"	04	9/16"-18	28,5	1,12	9,5	0,37	38,0	1,50	19,0	0,748	3/4"
FJ91B-06-06-33	10	3/8"	06	9/16"-18	27,8	1,09	9,5	0,37	33,0	1,30	19,0	0,748	3/4"
FJ91B-06-06-M	10	3/8"	06	9/16"-18	27,8	1,09	9,5	0,37	38,0	1,50	19,0	0,748	3/4"
FJ93B-06-08-M	10	3/8"	06	3/4"-16	35,0	1,38	10,7	0,42	41,0	1,73	22,0	0,866	7/8"
FJ91B-08-08-M	12	1/2"	08	3/4"-16	39,5	1,56	10,7	0,42	41,0	1,73	22,0	0,866	7/8"
FJ93B-08-10-M	16	5/8"	10	7/8"-14	44,0	1,73	12,5	0,49	47,0	1,85	27,0	1,062	1.1/16"
FJ91B-08-12-M	12	1/2"	08	1.1/16"-12	46,5	1,83	14,3	0,56	58,0	2,28	32,0	1,260	1.1/4"
FJ91B-10-10-M	16	5/8"	10	7/8"-14	48,5	1,91	12,5	0,49	47,0	1,85	27,0	1,062	1.1/16"
FJ91B-10-12-M	16	5/8"	10	1.1/16"-12	55,0	2,17	14,3	0,56	58,0	2,28	32,0	1,260	1.1/4"
FJ91B-12-12-M	19	3/4"	12	1.1/16"-12	56,0	2,20	14,3	0,56	58,0	2,28	32,0	1,260	1.1/4"

**Nut type**

FJ91

FJ93



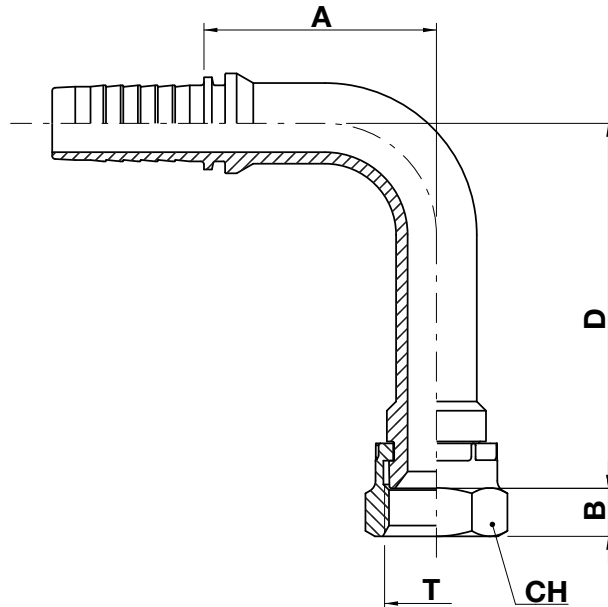
# FJ91B-L FJ96B-L FJ93B-L FJ92B-L



## JIC 37° female swivel - 90° elbow (long drop)

NO SKIVE / EXTERNAL SKIVE

ISO 8434-2 / SAE J514



- .....
- FERRULE
- .....
- FITTING**
- BSP-BSPT
- METRIC
- JIC**
- ORFS
- SAE
- NPTF-NPSM
- JIS
- SAE 3000 CODE 61
- SAE 6000 CODE 62
- STAPLE LOCK

code	ø hose			T	A		B		D		CH		
	dn	inch	size		mm	in	mm	in	mm	in	mm	in	↻ in
FJ91B-04-04-L	6	1/4"	04	7/16"-20	27,0	1,06	8,7	0,34	46,0	1,81	14,0	0,551	9/16"
FJ91B-04-05-L	6	1/4"	04	1/2"-20	30,8	1,21	9,5	0,37	46,0	1,81	17,0	0,669	11/16"
FJ96B-04-05-L	6	1/4"	04	1/2"-20	30,8	1,21	9,5	0,37	46,0	1,81	17,46	0,687	11/16"
FJ91B-04-06-L	6	1/4"	04	9/16"-18	28,5	1,12	9,5	0,37	56,0	2,20	19,0	0,748	3/4"
FJ93B-04-06-L	6	1/4"	04	9/16"-18	28,5	1,12	9,5	0,37	56,0	2,20	19,0	0,748	3/4"
FJ96B-04-06-L	6	1/4"	04	9/16"-18	28,5	1,12	9,5	0,37	56,0	2,20	17,46	0,687	11/16"
FJ91B-05-06-L	8	5/16"	05	9/16"-18	26,8	1,06	9,5	0,37	56,0	2,20	19,0	0,748	3/4"
FJ91B-06-06-L	10	3/8"	06	9/16"-18	27,8	1,09	9,5	0,37	56,0	2,20	19,0	0,748	3/4"
FJ93B-06-08-L	10	3/8"	06	3/4"-16	35,0	1,38	10,7	0,42	62,0	2,44	22,0	0,866	7/8"
FJ91B-08-08-L	12	1/2"	08	3/4"-16	39,5	1,56	10,7	0,42	62,0	2,44	22,0	0,866	7/8"
FJ91B-10-10-65	16	5/8"	10	7/8"-14	54,0	2,13	12,5	0,49	65,0	2,56	27,0	1,063	1.1/16"
FJ91B-10-10-L	16	5/8"	10	7/8"-14	54,0	2,13	12,5	0,49	70,0	2,76	27,0	1,063	1.1/16"
FJ91B-10-12-L	16	5/8"	10	1.1/16"-12	55,0	2,16	14,3	0,56	96,0	3,78	32,0	1,260	1.1/4"
FJ91B-12-12-L	19	3/4"	12	1.1/16"-12	55,5	2,19	14,3	0,56	96,0	3,78	32,0	1,260	1.1/4"
FJ91B-16-16-110	25	1"	16	1.5/16"-12	75,5	2,97	15,1	0,61	110,0	4,33	38,0	1,496	1.1/2"
FJ91B-16-16-L	25	1"	16	1.5/16"-12	75,5	2,97	15,1	0,61	114,0	4,33	38,0	1,496	1.1/2"
FJ92B-16-20-L	25	1"	16	1.5/8"-12	79,5	3,13	16,0	0,63	129,0	5,07	50,0	1,969	2"
FJ92B-20-20-95	31	1.1/4"	20	1.5/8"-12	85,5	3,37	16,0	0,63	95,0	3,74	50,0	1,969	2"
FJ92B-20-20-L	31	1.1/4"	20	1.5/8"-12	85,5	3,37	16,0	0,63	129,0	5,07	50,0	1,969	2"



← **FJ91B-L FJ96B-L FJ93B-L FJ92B-L**

FERRULE

**FITTING**

BSP-BSPT

METRIC

**JIC**

ORFS

SAE

NPTF-NPSM

JIS

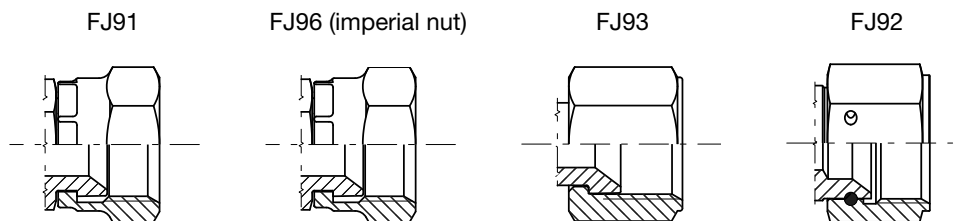
SAE 3000 CODE 61

SAE 6000 CODE 62

STAPLE LOCK

code	ø hose			T	A		B		D		CH		
	dn	inch	size		mm	in	mm	in	mm	in	mm	in	↻ in
FJ92B-20-24-L	31	1.1/4"	20	1.7/8"-12	85,5	3,37	18,5	0,73	141,0	5,55	55,0	2,165	2.3/16"
FJ92B-24-24-L	38	1.1/2"	24	1.7/8"-12	102,0	4,02	18,5	0,73	141,0	5,55	55,0	2,165	2.3/16"
FJ92B-32-32-L	51	2"	32	2.1/2"-12	130,5	5,14	24,0	0,94	222,0	8,74	75,0	2,953	-

**Nut type**

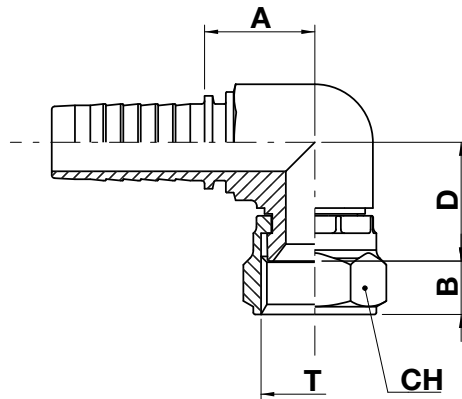


# KJ91B

## JIC 37° female swivel - 90° compact elbow

NO SKIVE / EXTERNAL SKIVE

ISO 8434-2 / SAE J514



.....  
FERRULE  
.....  
**FITTING**  
BSP-BSPT  
METRIC  
**JIC**  
ORFS  
SAE  
NPTF-NPSM  
JIS  
SAE 3000 CODE 61  
SAE 6000 CODE 62  
STAPLE LOCK

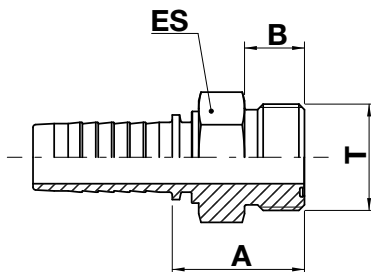
code	ø hose			T	A		B		D		CH		
	dn	inch	size		mm	in	mm	in	mm	in	mm	in	 in
KJ91B-04-04	6	1/4"	04	7/16"-20	18,5	0,73	8,5	0,33	19,6	0,77	14,0	0,551	9/16"
KJ91B-04-06	6	1/4"	04	9/16"-18	18,5	0,73	8,5	0,33	21,5	0,85	19,0	0,748	3/4"
KJ91B-06-06	10	3/8"	06	9/16"-18	21,5	0,85	8,5	0,33	23,0	0,91	19,0	0,748	3/4"
KJ91B-06-08	10	3/8"	06	3/4"-16	21,5	0,85	10,5	0,41	24,9	0,98	22,0	0,866	7/8"
KJ91B-08-08	12	1/2"	08	3/4"-16	25,0	0,98	9,5	0,37	26,9	1,06	22,0	0,866	7/8"
KJ91B-08-10	12	1/2"	08	7/8"-14	25,0	0,98	13,0	0,51	28,3	1,11	27,0	1,063	1.1/16"
KJ91B-10-10	16	5/8"	10	7/8"-14	26,0	1,02	13,0	0,51	27,7	1,09	27,0	1,063	1.1/16"
KJ91B-10-12	16	5/8"	10	1.1/16"-12	29,0	1,14	14,5	0,57	30,7	1,21	32,0	1,260	1.1/4"
KJ91B-12-12	19	3/4"	12	1.1/16"-12	28,5	1,12	14,5	0,57	30,7	1,21	32,0	1,260	1.1/4"
KJ91B-16-16	25	1"	16	1.5/16"-12	34,0	1,34	14,5	0,57	32,5	1,28	38,0	1,496	1.1/2"

# OM19B\*

## ORFS male

NO SKIVE / EXTERNAL SKIVE

ISO 8434-3 / SAE J1453



FERRULE

**FITTING**

BSP-BSPT

METRIC

JIC

**ORFS**

SAE


NPTF-NPSM

JIS

SAE 3000 CODE 61

SAE 6000 CODE 62

STAPLE LOCK

code	ø hose			T	A		B		ES		
	dn	inch	size		mm	in	mm	in	mm	in	 in
OM19B-04-04	6	1/4"	04	9/16"-18	25,3	1,00	10,0	0,40	15,0	0,591	5/8"
OM19B-04-06	6	1/4"	04	11/16"-16	26,5	1,04	11,2	0,44	19,0	0,748	3/4"
OM19B-06-06	10	3/8"	06	11/16"-16	26,5	1,04	11,2	0,44	19,0	0,748	3/4"
OM19B-06-08	10	3/8"	06	13/16"-16	29,0	1,14	13,2	0,52	22,0	0,866	7/8"
OM19B-08-08	12	1/2"	08	13/16"-16	29,5	1,16	13,2	0,52	22,0	0,866	7/8"
OM19B-08-10	12	1/2"	08	1"-14	34,0	1,34	15,7	0,62	27,0	1,063	1.1/16"
OM19B-08-12	12	1/2"	08	1.3/16"-12	37,0	1,46	17,0	0,67	32,0	1,260	1.1/4"
OM19B-10-08	16	5/8"	10	13/16"-16	29,5	1,16	13,2	0,52	22,0	0,866	7/8"
OM19B-10-10	16	5/8"	10	1"-14	34,0	1,34	15,7	0,62	27,0	1,063	1.1/16"
OM19B-10-12	16	5/8"	10	1.3/16"-12	37,0	1,46	17,0	0,67	32,0	1,260	1.1/4"
OM19B-12-10	19	3/4"	12	1"-14	34,5	1,36	15,7	0,62	27,0	1,063	1.1/16"
OM19B-12-12	19	3/4"	12	1.3/16"-12	37,5	1,48	17,0	0,67	32,0	1,260	1.1/4"
OM19B-12-16	19	3/4"	12	1.7/16"-12	40,0	1,57	17,5	0,69	41,0	1,614	1.5/8"
OM19B-16-16	25	1"	16	1.7/16"-12	41,5	1,63	17,5	0,69	41,0	1,614	1.5/8"
OM19B-16-20	25	1"	16	1.11/16"-12	41,5	1,63	17,5	0,69	46,0	1,811	1.13/16"
OM19B-20-16	31	1.1/4"	20	1.7/16"-12	43,5	1,71	17,5	0,69	41,0	1,614	1.5/8"
OM19B-20-20	31	1.1/4"	20	1.11/16"-12	43,5	1,71	17,5	0,69	46,0	1,811	1.13/16"
OM19B-20-24	31	1.1/4"	20	2"-12	42,5	1,67	17,5	0,69	55,0	2,165	2.3/16"
OM19B-24-24	38	1.1/2"	24	2"-12	42,5	1,67	17,5	0,69	55,0	2,165	2.3/16"

\* OM13B complete with O-ring



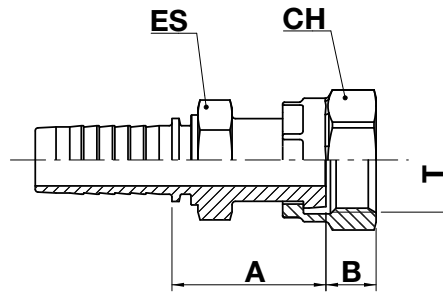
# OR13B OR12B



## ORFS female swivel

NO SKIVE / EXTERNAL SKIVE

ISO 8434-3 / SAE J1453



- .....
- FERRULE
- .....
- FITTING**
- BSP-BSPT
- METRIC
- JIC
- ORFS**
- SAE
- NPTF-NPSM
- JIS
- SAE 3000 CODE 61
- SAE 6000 CODE 62
- STAPLE LOCK

code	ø hose			T	A		B		ES			CH		
	dn	inch	size		mm	in	mm	in	mm	in	↻in	mm	in	↻in
OR13B-04-04	6	1/4"	04	9/16"-18	28,0	1,10	8,0	0,31	14,0	0,551	9/16"	17,0	0,669	11/16"
OR13B-04-06	6	1/4"	04	11/16"-16	31,5	1,24	9,5	0,37	17,0	0,669	11/16"	22,0	0,866	7/8"
OR13B-05-06	8	5/16"	05	11/16"-16	32,0	1,26	9,5	0,37	17,0	0,669	11/16"	22,0	0,866	7/8"
OR13B-06-04	10	3/8"	06	9/16"-18	30,5	1,20	8,0	0,31	17,0	0,669	11/16"	17,0	0,669	11/16"
OR13B-06-06	10	3/8"	06	11/16"-16	32,0	1,26	9,5	0,37	17,0	0,669	11/16"	22,0	0,866	7/8"
OR13B-06-08	10	3/8"	06	13/16"-16	36,5	1,44	11,0	0,43	19,0	0,748	3/4"	24,0	0,945	15/16"
OR13B-08-06	12	1/2"	08	11/16"-16	33,5	1,32	9,5	0,37	19,0	0,748	3/4"	22,0	0,866	7/8"
OR13B-08-08	12	1/2"	08	13/16"-16	37,0	1,46	11,0	0,43	19,0	0,748	3/4"	24,0	0,945	15/16"
OR13B-08-10	12	1/2"	08	1"-14	39,0	1,54	13,5	0,53	24,0	0,945	15/16"	30,0	1,181	1.3/16"
OR13B-08-12	12	1/2"	08	1.3/16"-12	47,0	1,85	14,5	0,57	30,0	1,181	1.3/16"	36,0	1,417	1.7/16"
OR13B-10-10	16	5/8"	10	1"-14	39,0	1,54	13,5	0,53	24,0	0,945	15/16"	30,0	1,181	1.3/16"
OR13B-10-12	16	5/8"	10	1.3/16"-12	44,0	1,73	14,5	0,57	30,0	1,181	1.3/16"	36,0	1,417	1.7/16"
OR13B-12-10	19	3/4"	12	1"-14	42,0	1,65	13,5	0,53	27,0	1,063	1.1/16"	30,0	1,181	1.3/16"
OR13B-12-12	19	3/4"	12	1.3/16"-12	44,6	1,76	14,5	0,57	30,0	1,181	1.3/16"	36,0	1,417	1.7/16"
OR13B-12-16	19	3/4"	12	1.7/16"-12	51,5	2,03	14,8	0,58	36,0	1,417	1.7/16"	41,0	1,614	1.5/8"
OR13B-16-12	25	1"	16	1.3/16"-12	51,0	2,01	14,5	0,57	36,0	1,417	1.7/16"	36,0	1,417	1.7/16"
OR13B-16-16	25	1"	16	1.7/16"-12	53,0	2,08	14,8	0,58	36,0	1,417	1.7/16"	41,0	1,614	1.5/8"
OR12B-16-20	25	1"	16	1.11/16"-12	55,0	2,17	14,8	0,58	41,0	1,614	1.5/8"	50,0	1,969	2"
OR12B-20-20	31	1.1/4"	20	1.11/16"-12	56,0	2,20	14,8	0,58	41,0	1,614	1.5/8"	50,0	1,969	2"



← **OR13B OR12B**

FERRULE

**FITTING**

BSP-BSPT

METRIC

JIC

**ORFS**

SAE

NPTF-NPSM

JIS

SAE 3000 CODE 61

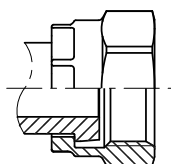
SAE 6000 CODE 62

STAPLE LOCK

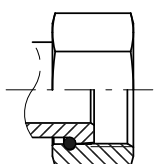
code	ø hose			T	A		B		ES			CH		
	dn	inch	size		mm	in	mm	in	mm	in	↗ in	mm	in	↗ in
OR12B-20-24	31	1.1/4"	20	2"-12	60,0	2,36	14,8	0,58	50,0	1,969	2"	60,0	2,362	2.3/8"
OR12B-24-24	38	1.1/2"	24	2"-12	61,0	2,40	14,8	0,58	50,0	1,969	2"	60,0	2,362	2.3/8"

**Nut type**

OR13



OR12

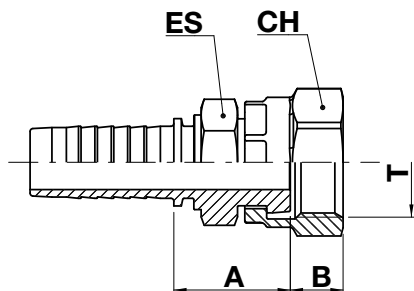


# OR11B

## ORFS short female swivel

NO SKIVE / EXTERNAL SKIVE

ISO 8434-3 / SAE J1453



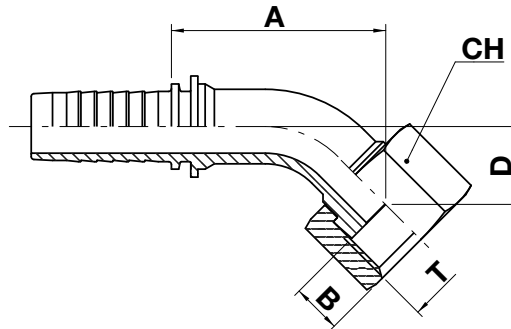
.....  
FERRULE  
.....  
**FITTING**  
BSP-BSPT  
METRIC  
JIC  
**ORFS**  
SAE  
NPTF-NPSM  
JIS  
SAE 3000 CODE 61  
SAE 6000 CODE 62  
STAPLE LOCK

code	ø hose			T	A		B		ES			CH		
	dn	inch	size		mm	in	mm	in	mm	in	↻in	mm	in	↻in
OR11B-04-04	6	1/4"	04	9/16"-18	22,0	0,87	8,0	0,31	14,0	0,551	9/16"	17,0	0,669	11/16"
OR11B-04-06	6	1/4"	04	11/16"-16	23,5	0,92	9,5	0,37	17,0	0,669	11/16"	22,0	0,866	7/8"
OR11B-06-04	10	3/8"	06	9/16"-18	23,0	0,90	8,0	0,31	17,0	0,669	11/16"	17,0	0,669	11/16"
OR11B-06-06	10	3/8"	06	11/16"-16	23,5	0,92	9,5	0,37	17,0	0,669	11/16"	22,0	0,866	7/8"
OR11B-06-08	10	3/8"	06	13/16"-16	27,0	1,06	11,0	0,43	19,0	0,748	3/4"	24,0	0,945	15/16"
OR11B-08-06	12	1/2"	08	11/16"-16	25,0	0,98	9,5	0,37	19,0	0,748	3/4"	22,0	0,866	7/8"
OR11B-08-08	12	1/2"	08	13/16"-16	27,5	1,08	11,0	0,43	19,0	0,748	3/4"	24,0	0,945	15/16"
OR11B-08-10	12	1/2"	08	1"-14	29,0	1,14	13,5	0,53	24,0	0,945	15/16"	30,0	1,181	1.3/16"
OR11B-10-08	16	5/8"	10	13/16"-16	28,5	1,12	11,0	0,43	24,0	0,945	15/16"	24,0	0,945	15/16"
OR11B-10-10	16	5/8"	10	1"-14	29,0	1,14	13,5	0,53	24,0	0,945	15/16"	30,0	1,181	1.3/16"
OR11B-10-12	16	5/8"	10	1.3/16"-12	31,5	1,24	14,5	0,57	30,0	1,181	1.3/16"	36,0	1,417	1.7/16"
OR11B-12-12	19	3/4"	12	1.3/16"-12	32,0	1,26	14,5	0,57	30,0	1,181	1.3/16"	36,0	1,417	1.7/16"
OR11B-12-16	19	3/4"	12	1.7/16"-12	38,5	1,52	14,8	0,58	36,0	1,417	1.7/16"	41,0	1,614	1.5/8"
OR11B-16-16	25	1"	16	1.7/16"-12	40,0	1,57	14,8	0,58	36,0	1,417	1.7/16"	41,0	1,614	1.5/8"

**OR44B** OR43B OR42B**ORFS female swivel - 45° elbow**

NO SKIVE / EXTERNAL SKIVE

ISO 8434-3 / SAE J1453



FERRULE

**FITTING**

BSP-BSPT

METRIC

JIC

**ORFS**

SAE

NPTF-NPSM

JIS

SAE 3000 CODE 61


SAE 6000 CODE 62

STAPLE LOCK

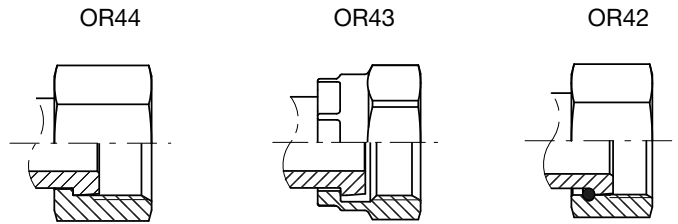
code	ø hose			T	A		B		D		CH		
	dn	inch	size		mm	in	mm	in	mm	in	mm	in	in
OR44B-04-04	6	1/4"	04	9/16"-18	29,5	1,16	8,0	0,31	10,0	0,39	17,0	0,669	11/16"
OR44B-04-06	6	1/4"	04	11/16"-16	29,0	1,14	9,5	0,37	11,0	0,43	22,0	0,866	7/8"
OR44B-05-06	8	5/16"	05	11/16"-16	35,5	1,40	9,5	0,37	11,0	0,43	22,0	0,866	7/8"
OR43B-06-04	10	3/8"	06	9/16"-18	32,5	1,28	8,0	0,31	10,0	0,39	17,0	0,669	11/16"
OR44B-06-06	10	3/8"	06	11/16"-18	35,5	1,40	9,5	0,37	11,0	0,43	22,0	0,866	7/8"
OR44B-06-08	10	3/8"	06	13/16"-16	38,5	1,51	11,0	0,43	15,0	0,59	24,0	0,945	15/16"
OR43B-08-06	12	1/2"	08	11/16"-16	38,5	1,51	9,5	0,37	11,0	0,43	22,0	0,866	7/8"
OR44B-08-08	12	1/2"	08	13/16"-16	43,0	1,69	11,0	0,43	15,0	0,59	24,0	0,945	15/16"
OR44B-08-10	12	1/2"	08	1"-14	43,5	1,71	13,5	0,53	16,0	0,63	30,0	1,181	1.3/16"
OR43B-08-12	12	1/2"	08	1.3/16"-12	56,5	2,22	14,5	0,57	18,9	0,74	36,0	1,417	1.7/16"
OR44B-10-10	16	5/8"	10	1"-14	51,5	2,03	13,5	0,53	14,3	0,56	30,0	1,181	1.3/16"
OR44B-10-12	16	5/8"	10	1.3/16"-12	60,5	2,38	14,5	0,57	21,0	0,83	36,0	1,417	1.7/16"
OR43B-12-10	19	3/4"	12	1"-14	67,5	2,65	13,5	0,53	15,0	0,59	30,0	1,181	1.3/16"
OR44B-12-12	19	3/4"	12	1.3/16"-12	62,0	2,44	14,5	0,57	21,0	0,83	36,0	1,417	1.7/16"
OR44B-12-16	19	3/4"	12	1.7/16"-12	63,0	2,48	14,8	0,58	24,0	0,94	41,0	1,614	1.5/8"
OR43B-16-12	25	1"	16	1.3/16"-12	71,0	2,79	14,5	0,57	22,0	0,87	36,0	1,417	1.7/16"
OR44B-16-16	25	1"	16	1.7/16"-12	73,0	2,87	14,8	0,58	24,0	0,94	41,0	1,614	1.5/8"
OR42B-16-20	25	1"	16	1.11/16"-12	91,5	3,60	14,8	0,58	37,0	1,45	50,0	1,969	2"



← **OR44B OR43B OR42B**

code	ø hose			T	A		B		D		CH		
	dn	inch	size		mm	in	mm	in	mm	in	mm	in	 in
OR42B-20-20	31	1.1/4"	20	1.11/16"-12	97,0	3,82	14,8	0,58	37,0	1,45	50,0	1,969	2"
OR42B-24-24	38	1.1/2"	24	2"-12	120,5	4,74	14,8	0,58	44,0	1,73	60,0	2,362	2.3/8"

**Nut type**



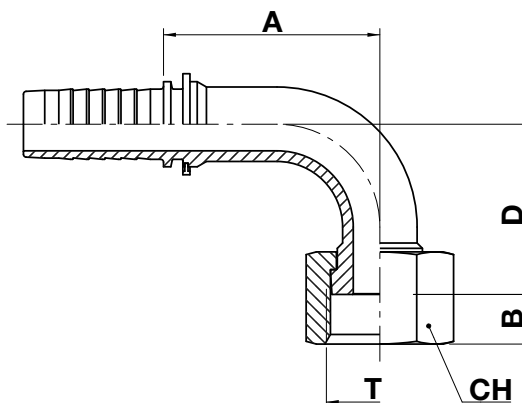
- .....
- FERRULE
- .....
- FITTING**
- BSP-BSPT
- METRIC
- JIC
- ORFS**
- SAE
- NPTF-NPSM
- JIS
- SAE 3000 CODE 61
- SAE 6000 CODE 62
- STAPLE LOCK



**OR94B** OR93B OR92B**ORFS female swivel - 90° elbow**

NO SKIVE / EXTERNAL SKIVE

ISO 8434-3 / SAE J1453



FERRULE

**FITTING**

BSP-BSPT

METRIC

JIC

**ORFS**

SAE

NPTF-NPSM

JIS

SAE 3000 CODE 61

SAE 6000 CODE 62

STAPLE LOCK

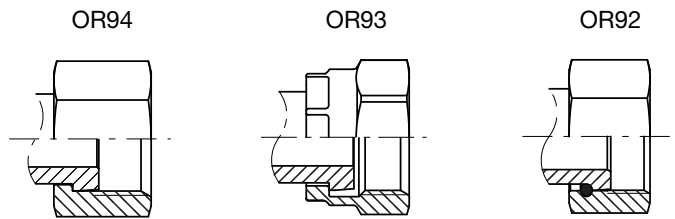
code	ø hose			T	A		B		D		CH		
	dn	inch	size		mm	in	mm	in	mm	in	mm	in	↻ in
OR94B-04-04	6	1/4"	04	9/16"-18	27,5	1,08	8,0	0,31	22,0	0,87	17,0	0,669	11/16"
OR94B-04-06	6	1/4"	04	11/16"-16	27,5	1,08	9,5	0,37	23,0	0,90	22,0	0,866	7/8"
OR94B-05-06	8	5/16"	05	11/16"-16	31,5	1,24	9,5	0,37	24,0	0,94	22,0	0,866	7/8"
OR93B-06-04	10	3/8"	06	9/16"-18	27,8	1,09	8,0	0,31	21,0	0,83	17,0	0,669	11/16"
OR94B-06-06	10	3/8"	06	11/16"-16	31,5	1,24	9,5	0,37	24,0	0,94	22,0	0,866	7/8"
OR94B-06-08	10	3/8"	06	13/16"-16	31,5	1,24	11,0	0,43	30,0	1,18	24,0	0,945	15/16"
OR93B-08-06	12	1/2"	08	11/16"-16	37,0	1,46	11,0	0,43	23,0	0,91	22,0	0,866	7/8"
OR94B-08-08	12	1/2"	08	13/16"-16	44,5	1,75	11,0	0,43	29,0	1,14	24,0	0,945	15/16"
OR94B-08-10	12	1/2"	08	1"-14	37,5	1,48	13,5	0,53	33,0	1,30	30,0	1,181	1.3/16"
OR94B-08-12	12	1/2"	08	1.3/16"-12	42,5	1,67	14,5	0,57	48,0	1,61	36,0	1,417	1.7/16"
OR93B-10-08	16	5/8"	10	13/16"-16	42,5	1,67	11,0	0,43	29,0	1,14	24,0	0,945	15/16"
OR94B-10-10	16	5/8"	10	1"-14	46,5	1,83	13,5	0,53	32,0	1,26	30,0	1,181	1.3/16"
OR94B-10-12	16	5/8"	10	1.3/16"-12	53,5	2,11	14,5	0,57	48,0	1,89	36,0	1,417	1.7/16"
OR93B-12-10	19	3/4"	12	1"-14	50,5	2,00	13,5	0,53	32,0	1,26	30,0	1,181	1.3/16"
OR94B-12-12	19	3/4"	12	1.3/16"-12	61,0	2,40	14,5	0,57	48,0	1,89	36,0	1,417	1.7/16"
OR94B-12-16	19	3/4"	12	1.7/16"-12	57,0	2,24	13,8	0,54	56,0	2,20	41,0	1,614	1.5/8"
OR93B-16-12	25	1"	16	1.3/16"-12	63,0	2,48	14,5	0,57	48,0	1,89	36,0	1,417	1.7/16"
OR94B-16-16	25	1"	16	1.7/16"-12	71,0	2,80	13,8	0,54	56,0	2,20	41,0	1,614	1.5/8"



← **OR94B OR93B OR92B**

code	ø hose			T	A		B		D		CH		
	dn	inch	size		mm	in	mm	in	mm	in	mm	in	 in
OR93B-20-16	31	1.1/4"	20	1.7/16"-12	79,0	3,11	14,5	0,57	56,0	2,16	41,0	1,614	1.5/8"
OR92B-20-20	31	1.1/4"	20	1.11/16"-12	82,0	3,22	14,8	0,58	66,0	2,60	50,0	1,969	2"
OR92B-24-24	38	1.1/2"	24	2"-12	105,0	4,13	14,8	0,58	94,0	3,70	60,0	2,362	2.3/8"

**Nut type**



- .....
- FERRULE
- .....
- FITTING**
- BSP-BSPT
- METRIC
- JIC
- ORFS**
- SAE
- NPTF-NPSM
- JIS
- SAE 3000 CODE 61
- SAE 6000 CODE 62
- STAPLE LOCK

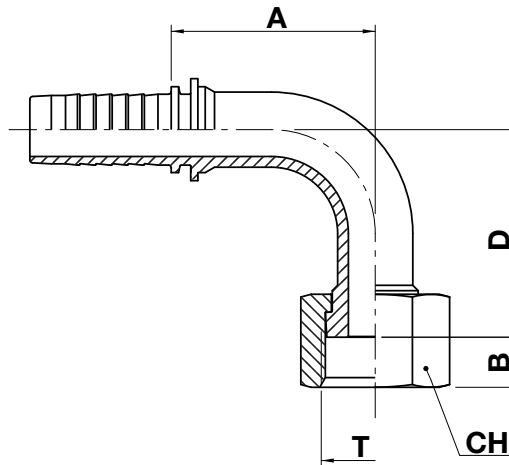


## OR94B-M OR92B-M

### ORFS female swivel - 90° elbow (medium drop)

NO SKIVE / EXTERNAL SKIVE

ISO 8434-3 / SAE J1453



FERRULE

#### FITTING

BSP-BSPT

METRIC

JIC

**ORFS**

SAE

NPTF-NPSM

JIS

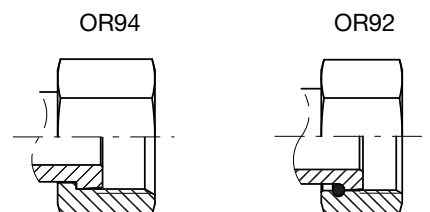
SAE 3000 CODE 61

SAE 6000 CODE 62

STAPLE LOCK

code	ø hose			T	A		B		D		CH		
	dn	inch	size		mm	in	mm	in	mm	in	mm	in	↻ in
OR94B-04-04-M	6	1/4"	04	9/16"-18	29,5	1,16	8,0	0,31	33,0	1,30	17,0	0,669	11/16"
OR94B-04-06-M	6	1/4"	04	11/16"-16	31,5	1,24	9,5	0,37	38,0	1,50	22,0	0,866	7/8"
OR94B-06-06-M	10	3/8"	06	11/16"-16	31,5	1,24	9,5	0,37	38,0	1,50	22,0	0,866	7/8"
OR94B-06-08-M	10	3/8"	06	13/16"-16	34,0	1,34	11,0	0,43	41,0	1,61	24,0	0,945	15/16"
OR94B-08-08-M	12	1/2"	08	13/16"-16	40,0	1,57	11,0	0,43	41,0	1,61	24,0	0,945	15/16"
OR94B-10-10-M	16	5/8"	10	1"-14	53,5	2,10	13,5	0,53	47,0	1,85	30,0	1,181	1.3/16"
OR94B-12-12-M	19	3/4"	12	1.3/16"-12	61,0	2,40	14,5	0,57	58,0	2,28	36,0	1,417	1.7/16"
OR94B-16-16-M	25	1"	16	1.7/16"-12	74,0	2,91	13,8	0,54	71,0	2,79	41,0	1,614	1.5/8"
OR92B-20-20-M	31	1.1/4"	20	1.11/16"-12	85,5	3,36	14,8	0,58	78,0	3,07	50,0	1,969	2"

#### Nut type



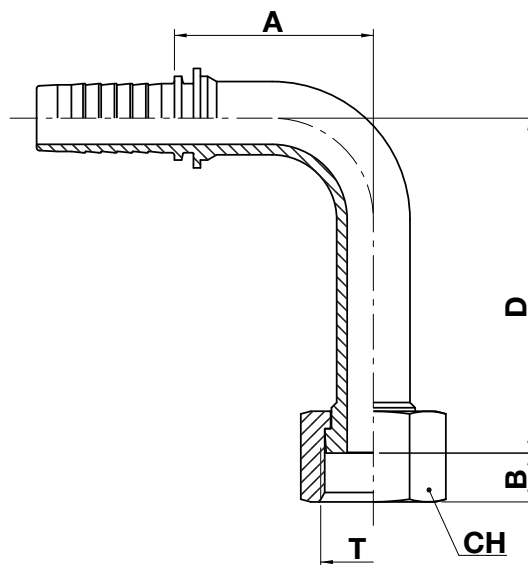


# OR94B-L OR92B-L

## ORFS female swivel - 90° elbow (long drop)

NO SKIVE / EXTERNAL SKIVE

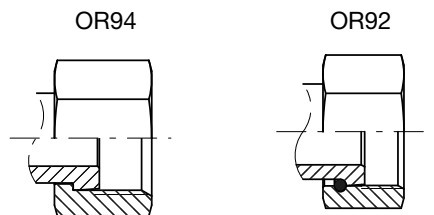
ISO 8434-3 / SAE J1453



.....  
FERRULE  
.....  
**FITTING**  
BSP-BSPT  
METRIC  
JIC  
**ORFS**  
SAE  
NPTF-NPSM  
JIS  
SAE 3000 CODE 61  
SAE 6000 CODE 62  
STAPLE LOCK

code	ø hose			T	A		B		D		CH		
	dn	inch	size		mm	in	mm	in	mm	in	mm	in	↻ in
OR94B-04-04-L	6	1/4"	04	9/16"-18	29,5	1,16	8,0	0,31	46,0	1,81	17,0	0,669	11/16"
OR94B-04-06-L	6	1/4"	04	11/16"-16	31,5	1,24	9,5	0,37	54,0	2,12	22,0	0,866	7/8"
OR94B-06-06-L	10	3/8"	06	11/16"-16	31,5	1,24	9,5	0,37	54,0	2,12	22,0	0,866	7/8"
OR94B-06-08-L	10	3/8"	06	13/16"-16	31,5	1,24	11,0	0,43	64,0	2,52	24,0	0,945	15/16"
OR94B-08-08-L	12	1/2"	08	13/16"-16	40,0	1,57	11,0	0,43	64,0	2,52	24,0	0,945	15/16"
OR94B-10-10-L	16	5/8"	10	1"-14	53,5	2,10	13,5	0,53	70,0	2,75	30,0	1,181	1.3/16"
OR94B-12-12-L	19	3/4"	12	1.3/16"-12	61,0	2,40	14,5	0,57	96,0	3,78	36,0	1,417	1.7/16"
OR94B-16-16-L	25	1"	16	1.7/16"-12	70,3	2,77	13,8	0,54	114,0	4,49	41,0	1,614	1.5/8"
OR92B-20-20-L	31	1.1/4"	20	1.11/16"-12	85,5	3,36	14,8	0,58	129,0	5,08	50,0	1,969	2"
OR92B-24-24-L	38	1.1/2"	24	2"-12	112,5	4,43	14,8	0,58	141,0	5,55	60,0	2,362	2.3/8"

### Nut type

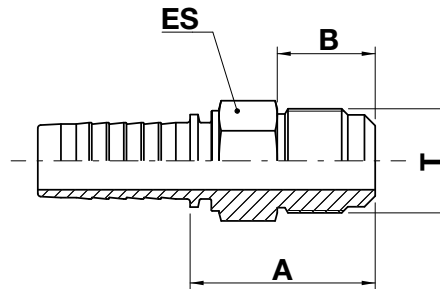


# MU10B

SAE 45° male

NO SKIVE / EXTERNAL SKIVE

SAE J512



FERRULE

## FITTING

BSP-BSPT

METRIC

JIC

ORFS

**SAE**


NPTF-NPSM

JIS

SAE 3000 CODE 61

SAE 6000 CODE 62

STAPLE LOCK

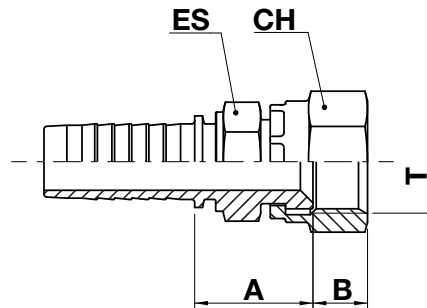
code	ø hose			T	A		B		ES		
	dn	inch	size		mm	in	mm	in	mm	in	 in
MU10B-04-04	6	1/4"	04	7/16"-20	25,0	0,98	12,7	0,50	14,0	0,551	9/16"
MU10B-06-06	10	3/8"	06	5/8"-18	29,0	1,14	15,7	0,62	17,0	0,669	11/16"
MU10B-08-08	12	1/2"	08	3/4"-16	33,5	1,32	19,0	0,75	19,0	0,748	3/4"
MU10B-08-10	12	1/2"	08	7/8"-14	38,5	1,52	22,4	0,88	24,0	0,945	15/16"
MU10B-10-10	16	5/8"	10	7/8"-14	39,5	1,55	22,4	0,88	24,0	0,945	15/16"
MU10B-12-12	19	3/4"	12	1.1/16"-14	48,0	1,89	25,4	1,00	27,0	1,063	1.1/16"

# FU11B

## SAE 45° female swivel

NO SKIVE / EXTERNAL SKIVE

SAE J512



.....  
FERRULE  
.....  
**FITTING**  
BSP-BSPT  
METRIC  
JIC  
ORFS  
**SAE**  
NPTF-NPSM  
JIS  
SAE 3000 CODE 61  
SAE 6000 CODE 62  
STAPLE LOCK

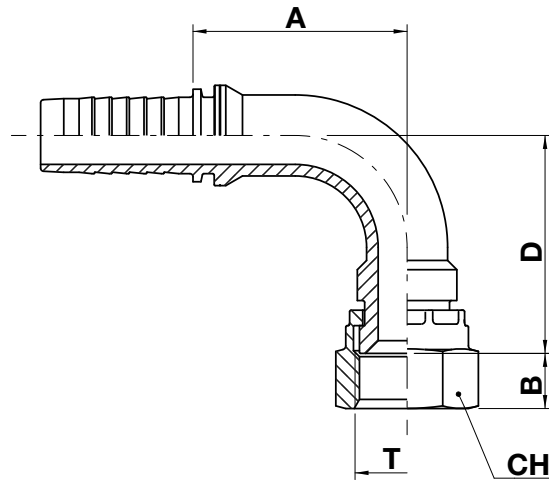
code	ø hose			T	A		B		ES			CH		
	dn	inch	size		mm	in	mm	in	mm	in	↗ in	mm	in	↗ in
FU11B-04-04	6	1/4"	04	7/16"-20	20,5	0,80	8,7	0,34	14,0	0,551	9/16"	14,0	0,551	9/16"
FU11B-04-05	6	1/4"	04	1/2"-20	21,5	0,85	9,5	0,37	14,0	0,551	9/16"	17,0	0,669	11/16"
FU11B-04-06	6	1/4"	04	5/8"-18	24,0	0,94	10,8	0,43	19,0	0,748	3/4"	22,0	0,866	7/8"
FU11B-05-06	8	5/16"	05	5/8"-18	24,0	0,94	10,8	0,43	19,0	0,748	3/4"	22,0	0,866	7/8"
FU11B-06-06	10	3/8"	06	5/8"-18	24,0	0,94	10,8	0,43	19,0	0,748	3/4"	22,0	0,866	7/8"
FU11B-06-08	10	3/8"	06	3/4"-16	26,5	1,04	10,8	0,43	19,0	0,748	3/4"	22,0	0,866	15/16"
FU11B-08-08	12	1/2"	08	3/4"-16	28,0	1,10	10,8	0,43	19,0	0,748	3/4"	22,0	0,866	15/16"
FU11B-08-10	12	1/2"	08	7/8"-14	28,5	1,12	12,7	0,5	22,0	0,866	7/8"	27,0	1,063	1.1/16"
FU11B-10-10	16	5/8"	10	7/8"-14	29,5	1,16	12,7	0,5	22,0	0,866	7/8"	27,0	1,063	1.1/16"
FU11B-10-12	16	5/8"	10	1.1/16"-14	30,5	1,20	14,4	0,57	27,0	1,063	1.1/16"	32,0	1,260	1.1/4"
FU11B-12-12	19	3/4"	12	1.1/16"-14	31,0	1,22	14,4	0,57	27,0	1,063	1.1/16"	32,0	1,260	1.1/4"

# FU91B

SAE 45° female swivel - 90° elbow

NO SKIVE / EXTERNAL SKIVE

SAE J512



FERRULE

**FITTING**

BSP-BSPT

METRIC

JIC

ORFS

**SAE**

NPTF-NPSM

JIS

SAE 3000 CODE 61

SAE 6000 CODE 62

STAPLE LOCK

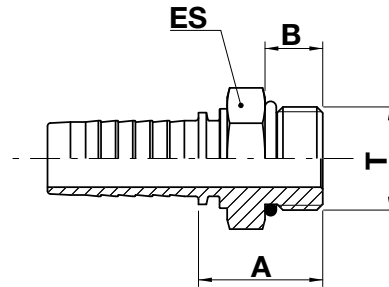
code	ø hose			T	A		B		D		CH		
	dn	inch	size		mm	in	mm	in	mm	in	mm	in	↗ in
FU91B-05-06	8	5/16"	05	5/8"-18	30,5	1,20	10,8	0,43	32,0	1,26	22,0	0,866	7/8"
FU91B-06-06	10	3/8"	06	5/8"-18	37,0	1,46	10,8	0,43	37,0	1,46	22,0	0,866	7/8"
FU91B-12-12	19	3/4"	12	1.1/16"-14	55,5	2,19	14,4	0,57	56,5	2,22	32,0	1,260	1.1/4"

# ME10B\*

## O-ring boss male

NO SKIVE / EXTERNAL SKIVE

SAE J1926



.....  
FERRULE  
.....  
**FITTING**  
BSP-BSPT  
METRIC  
JIC  
ORFS  
**SAE**  
NPTF-NPSM  
JIS  
SAE 3000 CODE 61  
SAE 6000 CODE 62  
STAPLE LOCK

code	ø hose			T	A		B		ES		
	dn	inch	size		mm	in	mm	in	mm	in	in
ME10B-04-04	6	1/4"	04	7/16"-20	22,0	0,87	9,2	0,36	14,0	0,551	9/16"
ME10B-04-05	6	1/4"	04	1/2"-20	23,5	0,93	9,2	0,36	17,0	0,669	11/16"
ME10B-04-06	6	1/4"	04	9/16"-18	24,5	0,96	10,0	0,39	17,0	0,669	11/16"
ME10B-05-05	8	5/16"	05	1/2"-20	23,5	0,93	9,2	0,36	17,0	0,669	11/16"
ME10B-06-05	10	3/8"	06	1/2"-20	23,5	0,93	9,2	0,36	17,0	0,669	11/16"
ME10B-06-06	10	3/8"	06	9/16"-18	24,5	0,96	9,9	0,39	17,0	0,669	11/16"
ME10B-06-08	10	3/8"	06	3/4"-16	26,5	1,04	11,1	0,44	22,0	0,866	7/8"
ME10B-06-10	10	3/8"	06	7/8"-14	28,5	1,12	12,7	0,50	27,0	1,063	1.1/16"
ME10B-08-08	12	1/2"	08	3/4"-16	27,0	1,06	11,1	0,44	22,0	0,866	7/8"
ME10B-08-10	12	1/2"	08	7/8"-14	29,0	1,14	12,7	0,50	27,0	1,063	1.1/16"
ME10B-08-12	12	1/2"	08	1.1/16"-12	32,0	1,26	15,1	0,59	32,0	1,260	1.1/4"
ME10B-10-08	16	5/8"	10	3/4"-16	27,5	1,08	11,1	0,44	24,0	0,945	15/16"
ME10B-10-10	16	5/8"	10	7/8"-14	29,0	1,14	12,7	0,50	27,0	1,063	1.1/16"
ME10B-10-12	16	5/8"	10	1.1/16"-12	32,0	1,26	15,1	0,59	32,0	1,260	1.1/4"
ME10B-12-10	19	3/4"	12	7/8"-14	29,5	1,16	12,7	0,50	27,0	1,063	1.1/16"
ME10B-12-12	19	3/4"	12	1.1/16"-12	32,5	1,28	15,1	0,59	32,0	1,260	1.1/4"
ME10B-12-14	19	3/4"	12	1.3/16"-12	37,5	1,48	15,1	0,59	36,0	1,417	1.7/16"
ME10B-12-16	19	3/4"	12	1.5/16"-12	38,5	1,52	15,1	0,59	38,0	1,496	1.1/2"
ME10B-16-16	25	1"	16	1.5/16"-12	39,1	1,54	15,1	0,59	38,0	1,496	1.1/2"

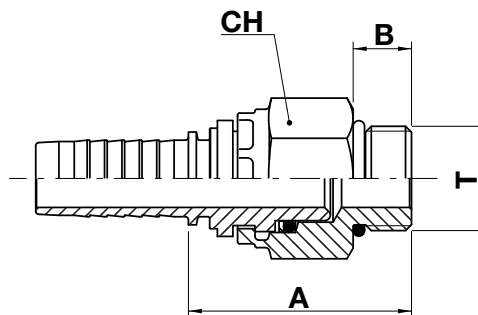
\* Complete with O-ring

## MV10B MV16B

### O-ring boss male swivel

NO SKIVE / EXTERNAL SKIVE

SAE J1926



FERRULE

#### FITTING

BSP-BSPT

METRIC

JIC

ORFS

**SAE**

NPTF-NPSM

JIS

SAE 3000 CODE 61

SAE 6000 CODE 62

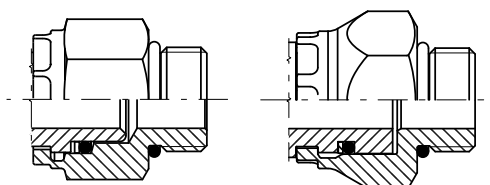
STAPLE LOCK

code	ø hose			T	A		B		CH		
	dn	inch	size		mm	in	mm	in	mm	in	in
MV10B-04-04	6	1/4"	04	7/16"-20	36,5	1,44	9,1	0,36	17,0	0,669	11/16"
MV16B-04-06	6	1/4"	04	9/16"-18	44,5	1,75	9,9	0,39	19,0	0,750	3/4"
MV16B-05-06	8	5/16"	05	3/8"-18	44,5	1,75	9,9	0,39	19,0	0,750	3/4"
MV16B-06-06	10	3/8"	06	9/16"-18	42,5	1,67	9,9	0,39	19,0	0,750	3/4"
MV10B-06-08	10	3/8"	06	3/4"-16	47,5	1,87	11,1	0,44	27,0	1,063	1.1/16"
MV10B-08-08	12	1/2"	08	3/4"-16	48,0	1,89	11,1	0,44	27,0	1,063	1.1/16"
MV10B-08-10	12	1/2"	08	7/8"-14	51,0	2,01	12,7	0,50	27,0	1,063	1.1/16"
MV10B-08-12	12	1/2"	08	1.1/16"-12	57,5	2,26	15,1	0,59	36,0	1,417	1.7/16"
MV10B-10-10	16	5/8"	10	7/8"-14	51,0	2,01	12,7	0,50	27,0	1,063	1.1/16"
MV10B-12-12	19	3/4"	12	1.1/16"-12	57,5	2,26	15,1	0,59	36,0	1,417	1.7/16"

#### Nut type

MV10

MV16

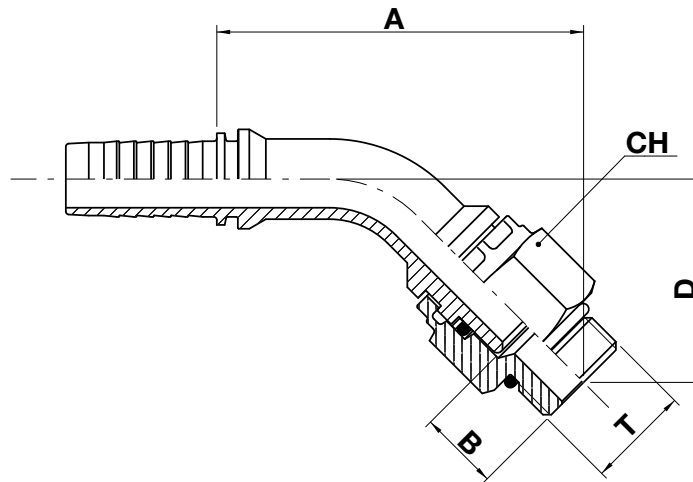


# MV40B MV46B

## O-ring boss male swivel - 45° elbow

NO SKIVE / EXTERNAL SKIVE

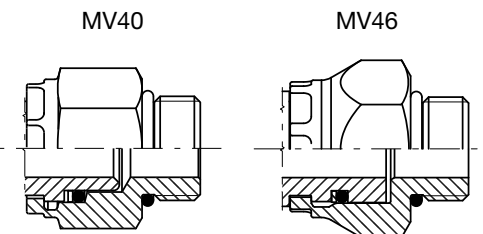
SAE J1926



.....  
FERRULE  
.....  
**FITTING**  
BSP-BSPT  
METRIC  
JIC  
ORFS  
**SAE**  
NPTF-NPSM  
JIS  
SAE 3000 CODE 61  
SAE 6000 CODE 62  
STAPLE LOCK

code	ø hose			T	A		B		D		CH		
	dn	inch	size		mm	in	mm	in	mm	in	mm	in	↻ in
MV40B-04-04	6	1/4"	04	7/16"-20	58,5	2,30	9,1	0,36	27,5	1,08	17,0	0,67	11/16"
MV46B-04-06	6	1/4"	04	9/16"-18	65,8	2,59	9,9	0,39	35,2	1,38	19,0	0,750	3/4"
MV46B-06-06	10	3/8"	06	9/16"-18	72,5	2,85	9,9	0,39	35,2	1,38	19,0	0,750	3/4"
MV40B-06-08	10	3/8"	6	3/4"-16	73,0	2,87	11,1	0,44	38,5	1,52	27,0	1,06	1.1/16"
MV40B-06-10	10	3/8"	6	7/8"-14	74,0	2,91	12,7	0,50	39,5	1,56	27,0	1,06	1.1/16"
MV40B-08-08	12	1/2"	8	3/4"-16	81,8	3,22	11,1	0,44	40,7	1,60	27,0	1,06	1.1/16"
MV40B-08-10	12	1/2"	8	7/8"-14	83,0	3,27	12,7	0,50	42,0	1,65	27,0	1,06	1.1/16"
MV40B-08-12	12	1/2"	8	1.1/16"-12	103,0	4,06	15,1	0,59	51,7	2,04	36,0	1,42	1.7/16"
MV40B-12-12	19	3/4"	12	1.1/16"-12	117,0	4,61	15,1	0,59	49,0	1,93	36,0	1,42	1.7/16"

### Nut type

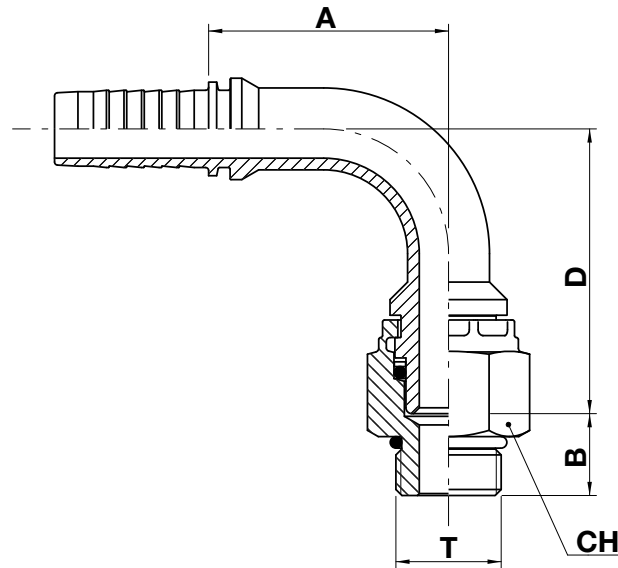


## MV90B MV96B

### O-ring boss male swivel - 90° elbow

NO SKIVE / EXTERNAL SKIVE

SAE J1926



FERRULE

#### FITTING

BSP-BSPT

METRIC

JIC

ORFS

**SAE**

NPTF-NPSM

JIS

SAE 3000 CODE 61

SAE 6000 CODE 62

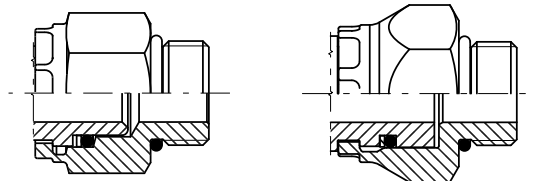
STAPLE LOCK

code	ø hose			T	A		B		D		CH		
	dn	inch	size		mm	in	mm	in	mm	in	mm	in	↻ in
MV90B-04-04	6	1/4"	04	7/16"-20	28,0	1,10	9,1	0,36	38,5	1,52	17,0	0,669	11/16"
MV96B-04-06	6	1/4"	04	9/16"-18	28,0	1,10	9,9	0,39	48,3	1,90	19,0	0,750	3/4"
MV96B-06-06	10	3/8"	06	9/16"-18	34,5	1,36	9,9	0,39	49,3	1,94	19,0	0,750	3/4"
MV90B-06-08	10	3/8"	06	3/4"-16	31,5	1,24	11,1	0,44	52,0	2,05	27,0	1,063	1.1/16"
MV90B-06-10	10	3/8"	06	7/8"-14	31,5	1,24	12,7	0,50	52,0	2,05	27,0	1,063	1.1/16"
MV90B-08-08	12	1/2"	08	3/4"-16	37,5	1,48	11,1	0,44	57,0	2,24	27,0	1,063	1.1/16"
MV90B-08-10	12	1/2"	08	7/8"-14	37,5	1,48	12,7	0,50	57,0	2,24	27,0	1,063	1.1/16"
MV90B-08-12	12	1/2"	08	1.1/16"-12	46,5	1,83	15,1	0,59	72,0	2,83	36,0	1,417	1.7/16"
MV90B-12-12	19	3/4"	12	1.1/16"-12	61,5	2,42	15,1	0,59	73,0	2,88	36,0	1,417	1.7/16"

#### Nut type

MV90

MV96



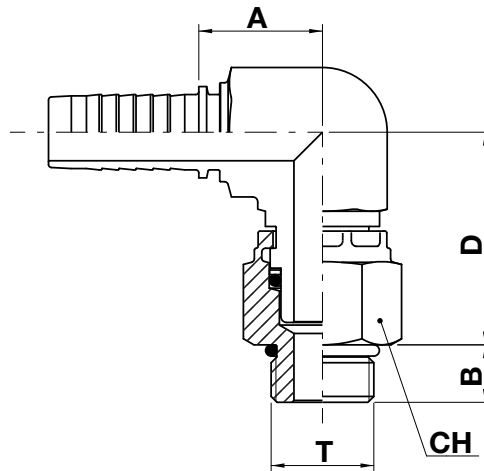


# KV91B KV96B

## O-ring boss male swivel - 90° compact elbow

NO SKIVE / EXTERNAL SKIVE

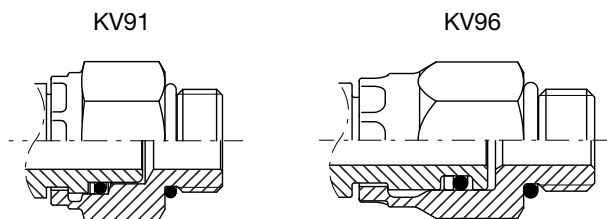
SAE J1926



.....  
FERRULE  
.....  
**FITTING**  
BSP-BSPT  
METRIC  
JIC  
ORFS  
**SAE**  
NPTF-NPSM  
JIS  
SAE 3000 CODE 61  
SAE 6000 CODE 62  
STAPLE LOCK

code	ø hose			T	A		B		D		CH		
	dn	inch	size		mm	in	mm	in	mm	in	mm	in	↻ in
KV91B-04-04	6	1/4"	4	7/16"-20	18,5	0,73	9,15	0,36	32,8	1,29	17,0	0,669	11/16"
KV96B-04-06	6	1/4"	4	9/16"-18	19,5	0,77	9,95	0,39	39,0	1,54	19,0	0,748	3/4"
KV96B-06-06	10	3/8"	6	9/16"-18	21,5	0,85	9,95	0,39	42,0	1,65	19,0	0,748	3/4"
KV91B-06-08	10	3/8"	6	3/4"-16	25,0	0,98	11,1	0,44	47,4	1,87	27,0	1,063	1.1/16"
KV91B-06-10	10	3/8"	6	7/8"-14	25,0	0,98	12,7	0,50	48,8	1,92	27,0	1,063	1.1/16"
KV91B-08-08	12	1/2"	8	3/4"-16	26,5	1,04	11,1	0,44	47,4	1,87	27,0	1,063	1.1/16"
KV91B-08-10	12	1/2"	8	7/8"-14	26,5	1,04	12,7	0,50	48,8	1,92	27,0	1,063	1.1/16"
KV91B-12-12	19	3/4"	12	1.1/16"-12	32,5	1,28	15,1	0,59	55,9	2,20	36,0	1,417	1.7/16"

### Nut type



# MZ10B

## SAE inverted flare male swivel

NO SKIVE / EXTERNAL SKIVE

SAE J512

FERRULE

**FITTING**

BSP-BSPT

METRIC

JIC

ORFS

**SAE**

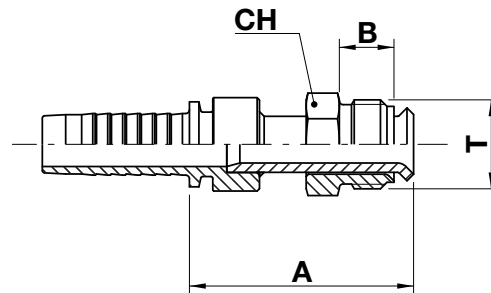
NPTF-NPSM


JIS

SAE 3000 CODE 61

SAE 6000 CODE 62

STAPLE LOCK



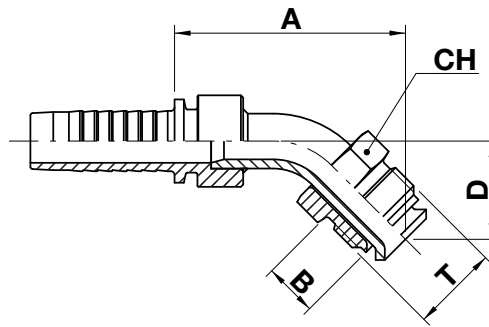
code	ø hose			T	A		B		CH		
	dn	inch	size		mm	in	mm	in	mm	in	 in
MZ10B-04-04	6	1/4"	04	7/16"-24	48,0	1,89	9,1	0,36	11,0	0,433	7/16"
MZ10B-04-05	6	1/4"	04	1/2"-20	48,0	1,89	10,2	0,40	16,0	0,630	5/8"
MZ10B-06-05	10	3/8"	06	1/2"-20	48,0	1,89	10,2	0,40	16,0	0,630	5/8"
MZ10B-06-06	10	3/8"	06	5/8"-18	48,0	1,89	10,2	0,40	16,0	0,630	5/8"
MZ10B-08-08	12	1/2"	08	3/4"-18	48,0	1,89	11,7	0,46	19,0	0,748	3/4"

# MZ40B

SAE inverted flare male swivel - 45° elbow

NO SKIVE / EXTERNAL SKIVE

SAE J512



.....  
FERRULE  
.....  
**FITTING**  
BSP-BSPT  
METRIC  
JIC  
ORFS  
**SAE**  
NPTF-NPSM  
JIS  
SAE 3000 CODE 61  
SAE 6000 CODE 62  
STAPLE LOCK

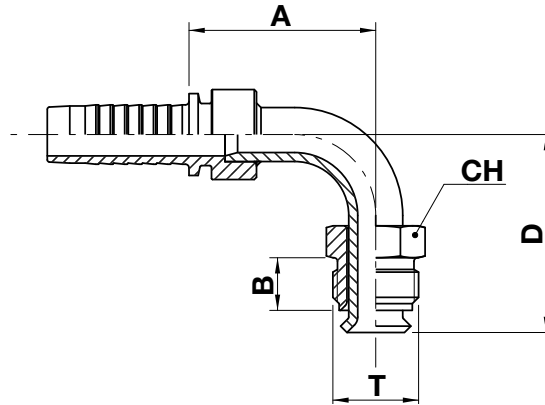
code	ø hose			T	A		B		D		CH		
	dn	inch	size		mm	in	mm	in	mm	in	mm	in	↻ in
MZ40B-04-04	6	1/4"	04	7/16"-24	40,1	1,58	9,1	0,36	14,7	0,58	11,0	0,433	7/16"
MZ40B-04-05	6	1/4"	04	1/2"-20	44,0	1,73	10,2	0,40	18,0	0,71	16,0	0,630	5/8"
MZ40B-06-05	10	3/8"	06	1/2"-20	44,0	1,73	10,2	0,40	18,0	0,71	16,0	0,630	5/8"
MZ40B-06-06	10	3/8"	06	5/8"-18	47,5	1,87	10,2	0,40	19,0	0,75	16,0	0,630	5/8"
MZ40B-08-08	12	1/2"	08	3/4"-18	50,5	1,99	11,7	0,46	21,5	0,85	19,0	0,748	3/4"

# MZ90B

SAE inverted flare male swivel - 90° elbow

NO SKIVE / EXTERNAL SKIVE

SAE J512



FERRULE

**FITTING**

BSP-BSPT

METRIC

JIC

ORFS

**SAE**

NPTF-NPSM

JIS

SAE 3000 CODE 61

SAE 6000 CODE 62

STAPLE LOCK

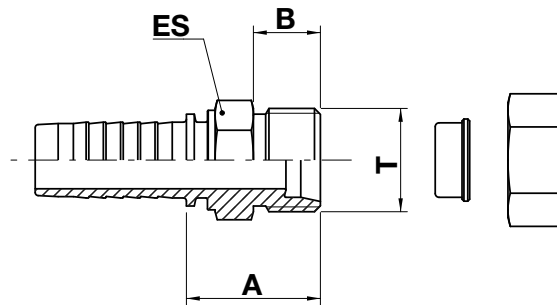
code	ø hose			T	A		B		D		CH		
	dn	inch	size		mm	in	mm	in	mm	in	mm	in	↻ in
MZ90B-04-04	6	1/4"	04	7/16"-24	30,0	1,18	9,1	0,36	26,0	1,02	11,0	0,433	7/16"
MZ90B-04-05	6	1/4"	04	1/2"-20	31,0	1,22	10,2	0,40	32,0	1,26	16,0	0,630	5/8"
MZ90B-06-05	10	3/8"	06	1/2"-20	31,0	1,22	10,2	0,40	32,0	1,26	16,0	0,630	5/8"
MZ90B-06-06	10	3/8"	06	5/8"-18	36,0	1,42	10,2	0,40	35,0	1,38	16,0	0,630	5/8"
MZ90B-08-08	12	1/2"	08	3/4"-18	41,5	1,63	11,7	0,46	44,0	1,73	19,0	0,748	3/4"

# MFA10B


## SAE flareless male assembly

NO SKIVE / EXTERNAL SKIVE

SAE J514

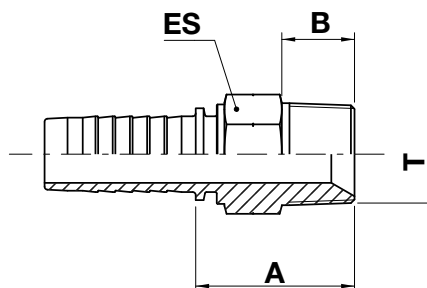


.....  
FERRULE  
.....  
**FITTING**  
BSP-BSPT  
METRIC  
JIC  
ORFS  
**SAE**  
NPTF-NPSM  
JIS  
SAE 3000 CODE 61  
SAE 6000 CODE 62  
STAPLE LOCK

code	ø hose			T	A		B		ES		
	dn	inch	size		mm	in	mm	in	mm	in	 in
MFA10B-04-04	6	1/4"	04	7/16"-20	24,0	0,94	11,5	0,45	14,0	0,551	9/16"
MFA10B-04-05	6	1/4"	04	1/2"-20	25,0	0,98	11,5	0,45	17,0	0,669	11/16"
MFA10B-06-05	10	3/8"	06	1/2"-20	25,0	0,98	11,5	0,45	17,0	0,669	11/16"
MFA10B-06-06	10	3/8"	06	9/16"-18	25,5	1,00	11,9	0,47	17,0	0,669	11/16"
MFA10B-06-08	10	3/8"	06	3/4"-16	27,8	1,09	14,3	0,56	19,0	0,748	3/4"
MFA10B-08-08	12	1/2"	08	3/4"-16	28,5	1,12	14,3	0,56	19,0	0,748	3/4"
MFA10B-08-10	12	1/2"	08	7/8"-14	32,0	1,26	15,9	0,63	24,0	0,945	15/16"
MFA10B-12-12	19	3/4"	12	1.1/16"-12	35,0	1,38	17,5	0,69	27,0	1,063	1.1/16"
MFA10B-16-16	25	1"	16	1.5/16"-12	41,5	1,63	17,5	0,69	36,0	1,417	1.7/16"

**MN10B** MNA10B**NPTF male (60° cone seat)****NO SKIVE / EXTERNAL SKIVE**

SAE J514



FERRULE

**FITTING**

BSP-BSPT

METRIC

JIC

ORFS

SAE

**NPTF-NPSM**

JIS

SAE 3000 CODE 61


SAE 6000 CODE 62

STAPLE LOCK

code	ø hose			T	A		B		ES		
	dn	inch	size		mm	in	mm	in	mm	in	in
MN10B-02-02	3	1/8"	02	1/8"-27	20,8	0,82	9,5	0,37	11,11	0,437	7/16"
MN10B-03-02	5	3/16"	03	1/8"-27	20,5	0,81	9,5	0,37	11,11	0,437	7/16"
MN10B-03-04	5	3/16"	03	1/4"-18	25,5	1,00	14,0	0,55	14,0	0,551	9/16"
MN10B-04-02	6	1/4"	04	1/8"-27	22,0	0,87	9,6	0,38	14,0	0,551	9/16"
MN10B-04-04	6	1/4"	04	1/4"-18	26,5	1,04	14,0	0,55	14,0	0,551	9/16"
MN10B-04-06	6	1/4"	04	3/8"-18	28,0	1,10	14,0	0,55	19,0	0,748	3/4"
MN10B-04-08	6	1/4"	04	1/2"-14	33,0	1,30	19,0	0,75	22,0	0,866	7/8"
MN10B-05-04	8	5/16"	05	1/4"-18	26,5	1,04	14,0	0,55	14,0	0,551	9/16"
MN10B-05-06	8	5/16"	05	3/8"-18	28,0	1,10	14,0	0,55	19,0	0,748	3/4"
MN10B-06-04	10	3/8"	06	1/4"-18	26,5	1,04	14,0	0,55	17,0	0,669	11/16"
MN10B-06-06	10	3/8"	06	3/8"-18	28,0	1,10	14,0	0,55	19,0	0,748	3/4"
MN10B-06-08	10	3/8"	06	1/2"-14	33,0	1,30	19,0	0,75	22,0	0,866	7/8"
MN10B-08-04	12	1/2"	08	1/4"-18	28,5	1,12	14,0	0,55	22,0	0,866	7/8"
MN10B-08-06	12	1/2"	08	3/8"-18	28,5	1,12	14,0	0,55	19,0	0,748	3/4"
MN10B-08-08	12	1/2"	08	1/2"-14	33,5	1,32	19,0	0,75	22,0	0,866	7/8"
MN10B-08-12	12	1/2"	08	3/4"-14	34,0	1,34	19,0	0,75	27,0	1,063	1.1/16"
MN10B-10-08	16	5/8"	10	1/2"-14	33,5	1,32	19,0	0,75	24,0	0,945	15/16"
MN10B-10-12	16	5/8"	10	3/4"-14	41,0	1,61	19,0	0,75	27,0	1,063	1.1/16"
MN10B-12-08	19	3/4"	12	1/2"-14	34,5	1,36	19,0	0,75	27,0	1,063	1.1/16"

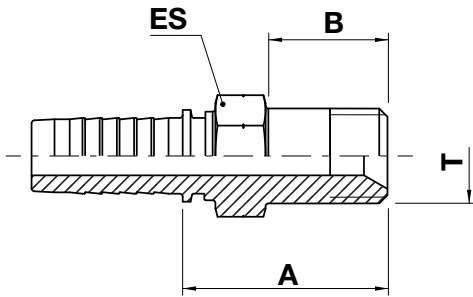


← **MN10B MNA10B**

code	ø hose			T	A		B		ES		
	dn	inch	size		mm	in	mm	in	mm	in	 in
MN10B-12-12	19	3/4"	12	3/4"-14	41,5	1,63	19,0	0,75	27,0	1,063	1.1/16"
MN10B-12-16	19	3/4"	12	1"-11.1/2	46,5	1,83	24,0	0,94	36,0	1,417	1.7/16"
MN10B-16-12	25	1"	16	3/4"	43,0	1,69	19,0	0,75	32,0	1,260	1.1/4"
MN10B-16-16	25	1"	16	1"-11.1/2	48,0	1,89	24,0	0,94	36,0	1,417	1.7/16"
MN10B-20-20	31	1.1/4"	20	1 1/4"-11.1/2	63,0	2,48	24,5	0,96	46,0	1,811	1.13/16"
MN10B-24-24	38	1.1/2"	24	1 1/2"-11.1/2	64,0	2,52	25,5	1,00	50,0	1,969	2"
MN10B-32-32	51	2"	32	2"-11.1/2	79,0	3,11	26,0	1,02	65,0	2,559	2.9/16"
MNA10B-32-32*	51	2"	32	2"-11.1/2	111,0	4,37	51,0	2,01	65,0	2,559	2.9/16"

- .....
- FERRULE
- .....
- FITTING**
- BSP-BSPT
- METRIC
- JIC
- ORFS
- SAE
- NPTF-NPSM**
- JIS
- SAE 3000 CODE 61
- SAE 6000 CODE 62
- STAPLE LOCK

\* MNA10B long nose "API" style version

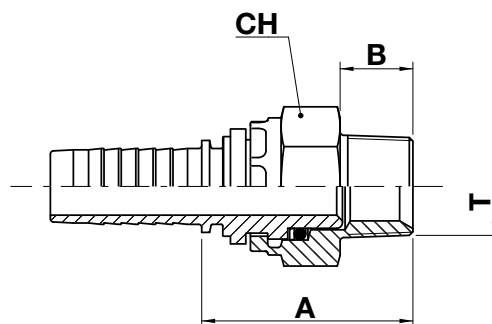


## MG10B MG16B

**NPTF male swivel (60° cone seat)**

NO SKIVE / EXTERNAL SKIVE

SAE J514



FERRULE

**FITTING**

BSP-BSPT

METRIC

JIC

ORFS

SAE

**NPTF-NPSM**

JIS

SAE 3000 CODE 61

SAE 6000 CODE 62

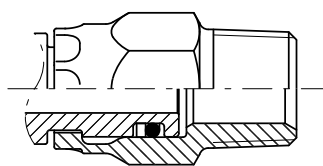
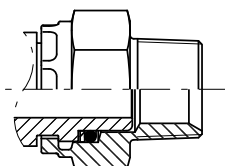
STAPLE LOCK

code	ø hose			T	A		B		CH		
	dn	inch	size		mm	in	mm	in	mm	in	↻ in
MG10B-04-02	6	1/4"	04	1/8"-27	36,5	1,44	9,5	0,37	17,0	0,669	11/16"
MG10B-04-04	6	1/4"	04	1/4"-18	36,5	1,44	14,0	0,55	17,0	0,669	11/16"
MG16B-04-06	6	1/4"	04	3/8"-18	46,5	1,83	14,0	0,55	19,0	0,750	3/4"
MG16B-05-06	8	5/16"	05	3/8"-18	46,5	1,83	14,0	0,55	19,0	0,750	3/4"
MG10B-06-04	10	3/8"	06	1/4"-18	36,5	1,44	14,0	0,55	17,0	0,669	11/16"
MG16B-06-06	10	3/8"	06	3/8"-18	46,5	1,83	14,0	0,55	19,0	0,750	3/4"
MG10B-06-08	10	3/8"	06	1/2"-14	53,5	2,11	19,0	0,75	27,0	1,063	1.1/16"
MG10B-08-06	12	1/2"	08	3/8"-18	41,7	1,64	14,0	0,55	22,0	0,866	7/8"
MG16B-08-06	12	1/2"	08	3/8"-18	48,0	1,89	14,0	0,55	19,0	0,750	3/4"
MG10B-08-08	12	1/2"	08	1/2"-14	54,0	2,13	19,0	0,75	27,0	1,063	1.1/16"
MG10B-10-12	16	5/8"	10	3/4"-14	55,4	2,18	19,0	0,75	36,0	1,417	1.7/16"
MG10B-12-08	19	3/4"	12	1/2"-14	56,5	2,22	19,0	0,75	27,0	1,063	1.1/16"
MG10B-12-12	19	3/4"	12	3/4"-14	55,1	2,17	19,0	0,75	36,0	1,417	1.7/16"
MG10B-16-16	25	1"	16	1"-11 1/2	62,9	2,48	24,0	0,94	38,0	1,496	1.1/2"

**Nut type**

MG10

MG16



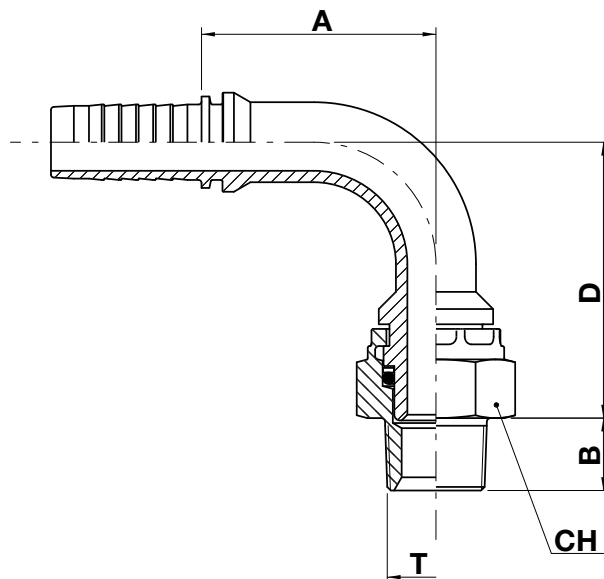


# MG90B MG96B

**NPTF male swivel - 90° elbow (60° cone seat)**

NO SKIVE / EXTERNAL SKIVE

SAE J514



.....  
FERRULE

.....  
**FITTING**

BSP-BSPT

METRIC

JIC

ORFS

SAE

**NPTF-NPSM**

JIS

SAE 3000 CODE 61

SAE 6000 CODE 62

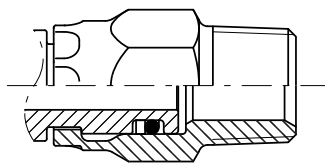
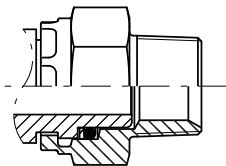
STAPLE LOCK

code	ø hose			T	A		B		D		CH		
	dn	inch	size		mm	in	mm	in	mm	in	mm	in	↻ in
MG90B-04-04	6	1/4"	04	1/4"-18	28,0	1,10	14,0	0,55	51,0	2,01	17,0	0,669	11/16"
MG96B-04-06	6	1/4"	04	3/8"-18	28,0	1,10	14,0	0,55	46,2	1,82	19,0	0,750	3/4"
MG96B-06-06	10	3/8"	06	3/8"-18	34,5	1,36	14,0	0,55	47,7	1,88	19,0	0,750	3/4"
MG90B-06-08	10	3/8"	06	1/2"-14	34,5	1,36	19,0	0,75	73,5	2,89	27,0	1,063	1.1/16"
MG90B-08-08	12	1/2"	08	1/2"-14	44,5	1,75	19,0	0,75	78,5	3,09	27,0	1,063	1.1/16"
MG90B-12-12	19	3/4"	12	3/4"-14	61,5	2,42	19,4	0,76	91,4	3,60	36,0	1,417	1.7/16"

**Nut type**

MG90

MG96

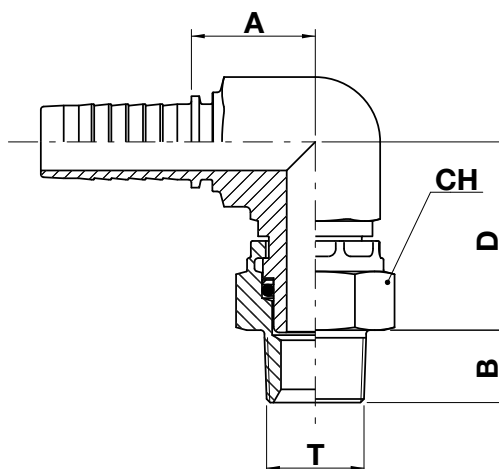


## KG91B KG96B

NPTF male swivel - 90° compact elbow

NO SKIVE / EXTERNAL SKIVE

SAE J514



FERRULE

### FITTING

BSP-BSPT

METRIC

JIC

ORFS

SAE

**NPTF-NPSM**

JIS

SAE 3000 CODE 61

SAE 6000 CODE 62

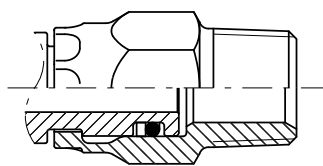
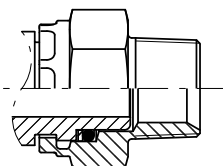
STAPLE LOCK

code	ø hose			T	A		B		D		CH		
	dn	inch	size		mm	in	mm	in	mm	in	mm	in	↻ in
KG91B-04-04	6	1/4"	4	1/4"-18	18,5	0,73	14,0	0,55	28,0	11,0	17,0	0,669	11/16"
KG96B-04-06	6	1/4"	4	3/8"-18	19,5	0,77	14,0	0,55	37,0	14,6	19,0	0,748	3/4"
KG96B-06-06	10	3/8"	6	3/8"-18	21,5	0,85	14,0	0,55	40,0	15,7	19,0	0,748	3/4"
KG91B-06-08	10	3/8"	6	1/2"-14	25,0	0,98	19,0	0,75	45,5	17,9	27,0	1,063	1.1/16"
KG91B-08-08	12	1/2"	8	1/2"-14	26,5	1,04	19,0	0,75	45,5	17,9	27,0	1,063	1.1/16"
KG91B-12-12	19	3/4"	12	3/4"-14	32,5	1,28	19,0	0,75	49,5	19,5	36,0	1,417	1.7/16"

### Nut type

KG91

KG96

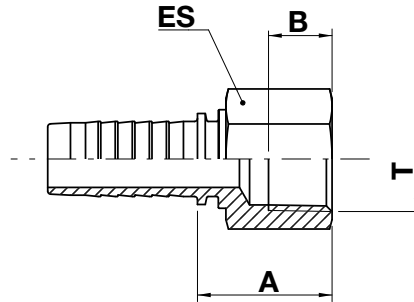


# FN10B


NPTF female rigid

NO SKIVE / EXTERNAL SKIVE

SAE J514



- .....
- FERRULE
- .....
- FITTING**
- BSP-BSPT
- METRIC
- JIC
- ORFS
- SAE
- NPTF-NPSM**
- JIS
- SAE 3000 CODE 61
- SAE 6000 CODE 62
- STAPLE LOCK

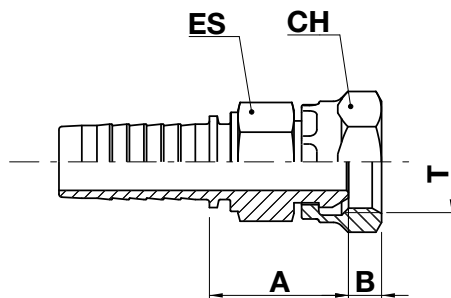
code	ø hose			T	A		B		ES		
	dn	inch	size		mm	in	mm	in	mm	in	 in
FN10B-04-02	6	1/4"	04	1/8"-27	21,5	0,85	7,9	0,31	17,0	0,669	11/16"
FN10B-04-04	6	1/4"	04	1/4"-18	26,5	1,04	12,0	0,47	19,0	0,748	3/4"
FN10B-04-06	6	1/4"	04	3/8"-18	28,0	1,10	12,7	0,50	22,0	0,866	7/8"
FN10B-06-04	10	3/8"	06	1/4"-18	26,5	1,04	12,0	0,47	19,0	0,748	3/4"
FN10B-06-06	10	3/8"	06	3/8"-18	28,0	1,10	12,7	0,50	22,0	0,866	7/8"
FN10B-06-08	10	3/8"	06	1/2"-14	33,0	1,30	16,8	0,66	27,0	1,063	1.1/16"
FN10B-08-06	12	1/2"	08	3/8"-18	28,5	1,12	12,7	0,50	22,0	0,866	7/8"
FN10B-08-08	12	1/2"	08	1/2"-14	33,5	1,32	17,0	0,67	27,0	1,063	1.1/16"
FN10B-12-12	19	3/4"	12	3/4"-14	35,5	1,40	16,8	0,66	32,0	1,260	1.1/4"

## FN11B FN12B

### NPSM female swivel (60° cone seat)

NO SKIVE / EXTERNAL SKIVE

SAE J514



FERRULE

#### FITTING

BSP-BSPT

METRIC

JIC

ORFS

SAE

**NPTF-NPSM**

JIS

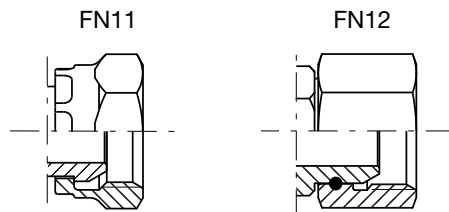
SAE 3000 CODE 61

SAE 6000 CODE 62

STAPLE LOCK

code	ø hose			T	A		B		ES			CH		
	dn	inch	size		mm	in	mm	in	mm	in	↻ in	mm	in	↻ in
FN11B-04-04	6	1/4"	04	1/4"-18	24,0	0,94	4,2	0,17	14,0	0,551	9/16"	19,0	0,748	3/4"
FN11B-04-06	6	1/4"	04	3/8"-18	26,5	1,04	5,7	0,22	22,0	0,866	7/8"	22,0	0,866	7/8"
FN11B-05-04	8	5/16"	05	1/4"-18	24,0	0,94	4,2	0,17	19,0	0,748	3/4"	19,0	0,748	3/4"
FN11B-06-06	10	3/8"	06	3/8"-18	26,5	1,04	5,7	0,22	22,0	0,866	7/8"	22,0	0,866	7/8"
FN11B-06-08	10	3/8"	06	1/2"-14	28,5	1,12	6,9	0,27	22,0	0,866	7/8"	27,0	1,063	1.1/16"
FN11B-08-08	12	1/2"	08	1/2"-14	29,0	1,14	6,9	0,27	22,0	0,866	7/8"	27,0	1,063	1.1/16"
FN11B-08-12	12	1/2"	08	3/4"-14	37,0	1,46	8,7	0,34	27,0	1,063	1.1/16"	32,0	1,260	1.1/4"
FN11B-12-12	19	3/4"	12	3/4"-14	36,8	1,45	8,7	0,34	27,0	1,063	1.1/16"	32,0	1,260	1.1/4"
FN12B-16-16	25	1"	16	1"-11.1/2	40,5	1,59	10,5	0,41	32,0	1,260	1.1/4"	38,0	1,496	1.1/2"

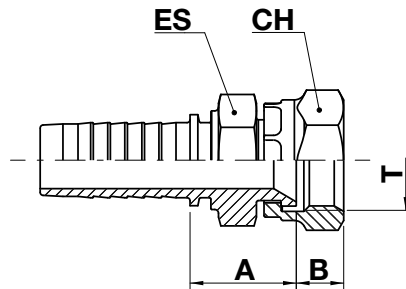
#### Nut type



# FT11B

JIS female swivel japanese "T" style termination 60° cone

NO SKIVE / EXTERNAL SKIVE



.....  
FERRULE  
.....  
**FITTING**  
BSP-BSPT  
METRIC  
JIC  
ORFS  
SAE  
NPTF-NPSM  
**JIS**  
SAE 3000 CODE 61  
SAE 6000 CODE 62  
STAPLE LOCK

code	ø hose			T	A		B		ES			CH		
	dn	inch	size		mm	in	mm	in	mm	in	↻ in	mm	in	↻ in
FT11B-04-04	6	1/4"	04	1/4"-19	21,0	0,83	8,0	0,31	19,0	0,748	3/4"	19,0	0,748	3/4"
FT11B-06-06	10	3/8"	06	3/8"-19	22,0	0,87	9,5	0,37	19,0	0,748	3/4"	22,0	0,866	7/8"
FT11B-08-08	12	1/2"	08	1/2"-14	25,0	0,98	11,0	0,43	22,0	0,866	7/8"	27,0	1,063	1.1/16"
FT11B-10-10	16	5/8"	10	5/8"-14	28,5	1,12	9,5	0,37	24,0	0,945	15/16"	27,0	1,063	1.1/16"
FT11B-12-12	19	3/4"	12	3/4"-14	28,0	1,10	12,5	0,49	30,0	1,181	1.3/16"	32,0	1,260	1.1/4"
FT11B-16-16	25	1"	16	1"-11	33,0	1,30	14,0	0,55	32,0	1,260	1.1/4"	38,0	1,496	1.1/2"

**FK11B** FK12B

Japanese "KOM" style termination female swivel 60° cone

NO SKIVE / EXTERNAL SKIVE

FERRULE

**FITTING**

BSP-BSPT

METRIC

JIC

ORFS

SAE

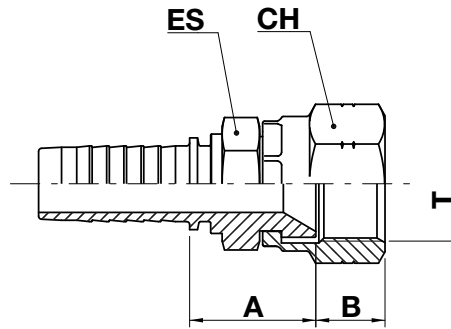
NPTF-NPSM

**JIS**

SAE 3000 CODE 61

SAE 6000 CODE 62

STAPLE LOCK



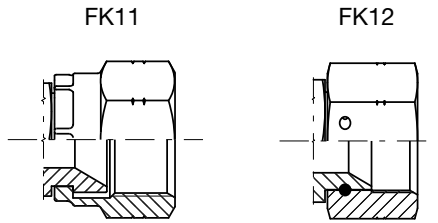
code	ø hose			T	A		B		ES			CH		
	dn	inch	size		mm	in	mm	in	mm	in	↻ in	mm	in	↻ in
FK11B-04-12	6	1/4"	04	M12X1,5	23,0	0,91	8,7	0,34	14,0	0,551	9/16"	17,0	0,669	11/16"
FK11B-04-14	6	1/4"	04	M14X1,5	24,0	0,94	10,0	0,39	19,0	0,748	3/4"	19,0	0,748	3/4"
FK11B-04-18	6	1/4"	04	M18X1,5	24,0	0,94	11,5	0,45	19,0	0,748	3/4"	24,0	0,944	15/16"
FK11B-06-14	10	3/8"	06	M14X1,5	25,0	0,98	10,0	0,39	19,0	0,748	3/4"	19,0	0,748	3/4"
FK11B-06-16	10	3/8"	06	M16X1,5	23,0	0,91	9,3	0,37	19,0	0,748	3/4"	22,0	0,866	7/8"
FK11B-06-18	10	3/8"	06	M18X1,5	24,0	0,94	11,5	0,45	19,0	0,748	3/4"	24,0	0,945	15/16"
FK11B-06-20	10	3/8"	06	M20X1,5	25,5	1,00	11,2	0,44	19,0	0,748	3/4"	27,0	1,063	1.1/16"
FK11B-06-22	10	3/8"	06	M22X1,5	25,5	1,00	14,0	0,55	19,0	0,748	3/4"	27,0	1,063	1.1/16"
FK11B-08-18	12	1/2"	08	M18X1,5	22,5	0,89	11,5	0,45	19,0	0,748	3/4"	24,0	0,945	15/16"
FK11B-08-22	12	1/2"	08	M22X1,5	27,0	1,06	14,0	0,55	22,0	0,866	7/8"	27,0	1,063	1.1/16"
FK11B-08-24	12	1/2"	08	M24X1,5	28,5	1,12	15,1	0,59	24,0	0,944	15/16"	32,0	1,260	1.1/4"
FK11B-10-24	16	5/8"	10	M24X1,5	28,5	1,12	15,1	0,59	24,0	0,944	15/16"	32,0	1,260	1.1/4"
FK11B-12-30	19	3/4"	12	M30X1,5	33,0	1,30	18,3	0,72	30,0	1,181	1.3/16"	36,0	1,417	1.7/16"
FK11B-12-33	19	3/4"	12	M33X1,5	32,0	1,26	21,3	0,84	32,0	1,260	1.1/4"	41,0	1,614	1.5/8"
FK11B-16-33	25	1"	16	M33X1,5	34,7	1,37	21,3	0,84	32,0	1,260	1.1/4"	41,0	1,614	1.5/8"
FK11B-16-36	25	1"	16	M36X1,5	36,0	1,42	16,0	0,63	41,0	1,614	1.5/8"	46,0	1,811	1.13/16"
FK12B-24-42	38	1.1/2"	24	M42X1,5	44,0	1,73	18,8	0,74	50,0	1,969	2"	55,0	2,165	2.3/16"



← **FK11B FK12B**

---

**Nut type**



.....  
FERRULE  
.....

**FITTING**

BSP-BSPT

METRIC

JIC

ORFS

SAE

NPTF-NPSM

**JIS**

SAE 3000 CODE 61

SAE 6000 CODE 62

STAPLE LOCK



# FK41B

Japanese "KOM" style termination female swivel 60° cone - 45° elbow

NO SKIVE / EXTERNAL SKIVE

FERRULE

FITTING

BSP-BSPT

METRIC

JIC

ORFS

SAE

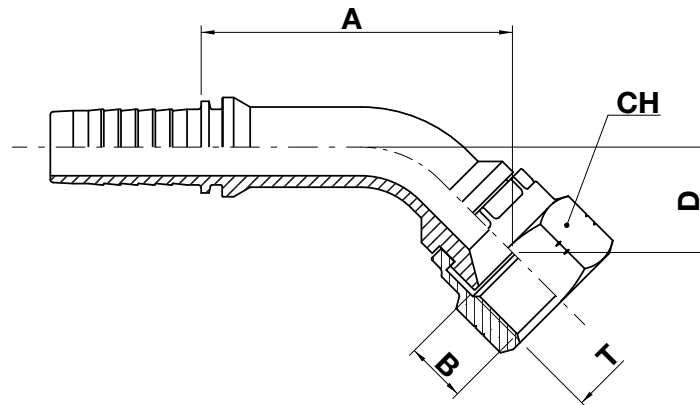
NPTF-NPSM

**JIS**

SAE 3000 CODE 61

SAE 6000 CODE 62

STAPLE LOCK



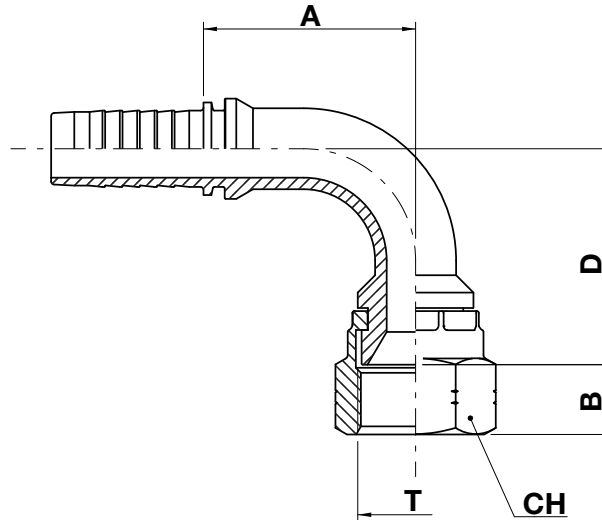
code	ø hose			T	A		B		D		CH		
	dn	inch	size		mm	in	mm	in	mm	in	mm	in	↻ in
FK41B-04-14	06	1/4"	4	M14X1,5	42,5	1,67	10,0	0,39	16,1	0,63	19,0	0,748	3/4"
FK41B-06-18	10	3/8"	6	M18X1,5	51,5	2,03	11,5	0,45	19,5	0,77	24,0	0,945	15/16"
FK41B-08-22	12	1/2"	8	M22X1,5	54,0	2,13	14,0	0,55	20,0	0,79	27,0	1,063	1.1/16"
FK41B-10-24	16	5/8"	10	M24X1,5	70,5	2,78	15,1	0,59	27,0	1,06	32,0	1,260	1.1/4"
FK41B-12-30	19	3/4"	12	M30X1,5	81,5	3,21	18,3	0,72	27,6	1,09	36,0	1,417	1.7/16"



# FK91B

Japanese "KOM" style termination female swivel 60° cone - 90° elbow

NO SKIVE / EXTERNAL SKIVE



.....  
FERRULE  
.....  
**FITTING**  
BSP-BSPT  
METRIC  
JIC  
ORFS  
SAE  
NPTF-NPSM  
**JIS**  
SAE 3000 CODE 61  
SAE 6000 CODE 62  
STAPLE LOCK

code	ø hose			T	A		B		D		CH		
	dn	inch	size		mm	in	mm	in	mm	in	mm	in	↻ in
FK91B-04-14	6	1/4"	04	M14X1,5	29,0	1,14	10,0	0,39	31,5	1,24	19,0	0,748	3/4"
FK91B-04-16	6	1/4"	04	M16X1,5	29,5	1,16	9,30	0,37	37,0	1,46	22,0	0,866	7/8"
FK91B-06-18	10	3/8"	06	M18X1,5	35,5	1,40	11,5	0,45	38,0	1,50	24,0	0,945	15/16"
FK91B-08-22	12	1/2"	08	M22X1,5	47,5	1,87	14,0	0,55	43,0	1,69	27,0	1,063	1.1/16"
FK91B-10-24	16	5/8"	10	M24X1.5	55,5	2,19	15,1	0,59	55,0	2,17	32,0	1,260	1.1/4"
FK91B-12-30	19	3/4"	12	M30X1,5	55,0	2,17	18,3	0,72	56,0	2,20	36,0	1,417	1.7/16"

# AK10B

Japanese "KOM" style termination straight flange (for metric O-ring)

NO SKIVE / EXTERNAL SKIVE

FERRULE

**FITTING**

BSP-BSPT

METRIC

JIC

ORFS

SAE

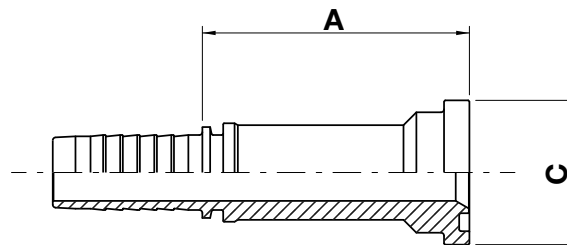
NPTF-NPSM

**JIS**

SAE 3000 CODE 61

SAE 6000 CODE 62

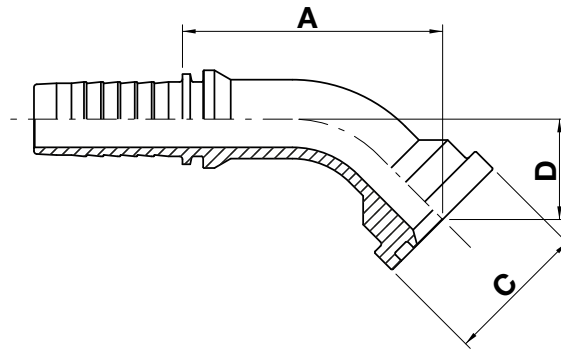
STAPLE LOCK



code	ø hose			flange	A		C	
	dn	inch	size		mm	in	mm	in
AK10B-10-10	16	5/8"	10	5/8"	65,0	2,56	34,2	1,35
AK10B-12-12	19	3/4"	12	3/4"	70,5	2,78	38,1	1,50
AK10B-16-16	25	1"	16	1"	73,0	2,87	44,5	1,75
AK10B-24-24	38	1.1/2"	24	1.1/2"	91,0	3,58	60,3	2,37
AK10B-32-32	51	2"	32	2"	125,0	4,92	71,4	2,81

# AK40B

Japanese "KOM" style termination - 45° elbow flange (for metric O-ring) NO SKIVE / EXTERNAL SKIVE

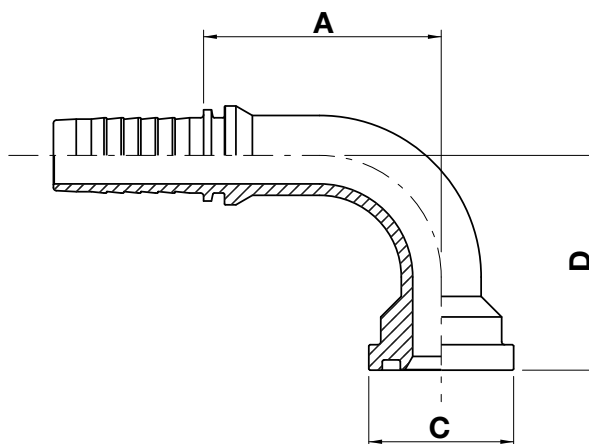


.....  
FERRULE  
.....  
**FITTING**  
BSP-BSPT  
METRIC  
JIC  
ORFS  
SAE  
NPTF-NPSM  
**JIS**  
SAE 3000 CODE 61  
SAE 6000 CODE 62  
STAPLE LOCK

code	ø hose			flange	A		C		D	
	dn	inch	size		mm	in	mm	in	mm	in
AK40B-10-10	16	5/8"	10	5/8"	66,5	2,62	34,2	1,35	25,0	0,98
AK40B-12-12	19	3/4"	12	3/4"	69,2	2,72	38,0	1,50	26,7	1,05
AK40B-16-16	25	1"	16	1"	83,0	3,27	44,5	1,75	29,0	1,14
AK40B-24-24	38	1.1/2"	24	1.1/2"	105,0	4,13	60,3	2,37	39,4	1,55
AK40B-32-32	51	2"	32	2"	164,0	6,46	71,4	2,81	52,5	2,07

# AK90B

Japanese "KOM" style termination - 90° elbow flange (for metric O-ring) NO SKIVE / EXTERNAL SKIVE



FERRULE

## FITTING

BSP-BSPT

METRIC

JIC

ORFS

SAE

NPTF-NPSM

**JIS**

SAE 3000 CODE 61

SAE 6000 CODE 62

STAPLE LOCK

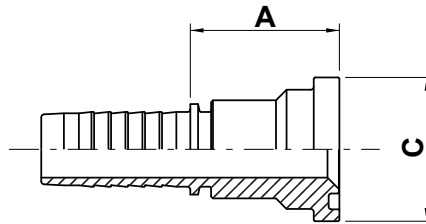
code	ø hose			flange	A		C		D	
	dn	inch	size		mm	in	mm	in	mm	in
AK90B-10-10	16	5/8"	10	5/8"	60,5	2,38	34,2	1,35	55,0	2,17
AK90B-12-12	19	3/4"	12	3/4"	62,5	2,46	38,0	1,50	56,5	2,22
AK90B-16-16	25	1"	16	1"	70,6	2,78	44,4	1,75	70,0	2,76
AK90B-24-24	38	1.1/2"	24	1.1/2"	118,0	4,65	60,3	2,37	110,0	4,33
AK90B-32-32	51	2"	32	2"	154,0	6,06	71,4	2,81	140,0	5,51

# AX10B

## SAE 3000 code 61 straight flange

NO SKIVE / EXTERNAL SKIVE

ISO 6162-1 / SAE J518-1

.....  
FERRULE.....  
**FITTING**

BSP-BSPT

METRIC

JIC

ORFS

SAE

NPTF-NPSM

JIS

**SAE 3000 CODE 61**

SAE 6000 CODE 62

STAPLE LOCK

code	ø hose			flange	A		C	
	dn	inch	size		mm	in	mm	in
AX10B-08-08	12	1/2"	08	1/2"	38,0	1,50	30,2	1,19
AX10B-08-12	12	1/2"	08	3/4"	39,0	1,54	38,1	1,50
AX10B-10-12	16	5/8"	10	3/4"	39,0	1,54	38,1	1,50
AX10B-12-12	19	3/4"	12	3/4"	39,5	1,56	38,1	1,50
AX10B-12-16	19	3/4"	12	1"	46,0	1,81	44,5	1,75
AX10B-12-20	19	3/4"	12	1.1/4"	47,0	1,85	50,8	2,00
AX10B-16-16	25	1"	16	1"	47,6	1,87	44,5	1,75
AX10B-16-20	25	1"	16	1.1/4"	48,5	1,91	50,8	2,00
AX10B-20-16	31	1.1/4"	20	1"	58,5	2,30	44,5	1,75
AX10B-20-20	31	1.1/4"	20	1.1/4"	49,5	1,95	50,8	2,00
AX10B-20-24	31	1.1/4"	20	1.1/2"	53,0	2,09	60,3	2,37
AX10B-24-20	38	1.1/2"	24	1.1/4"	57,5	2,26	50,8	2,00
AX10B-24-24	38	1.1/2"	24	1.1/2"	53,1	2,09	60,3	2,37
AX10B-24-32	38	1.1/2"	24	2"	74,5	2,93	71,4	2,81
AX10B-32-24	51	2"	32	1.1/2"	89,0	3,50	60,3	2,37
AX10B-32-32	51	2"	32	2"	78,5	3,09	71,4	2,81
AX10B-32-40	51	2"	32	2.1/2"	78,5	3,09	84,1	3,31
AX10B-40-40	63	2.1/2"	40	2.1/2"	90,0	3,54	84,1	3,31
AX10B-40-48	63	2.1/2"	40	3"	90,0	3,54	101,6	4,00
AX10B-48-48	76	3"	48	3"	64,5	2,54	101,6	4,00

# AX20B

**SAE 3000 code 61 - 22,5° elbow flange**

NO SKIVE / EXTERNAL SKIVE

ISO 6162-1 / SAE J518-1

FERRULE

**FITTING**

BSP-BSPT

METRIC

JIC

ORFS

SAE

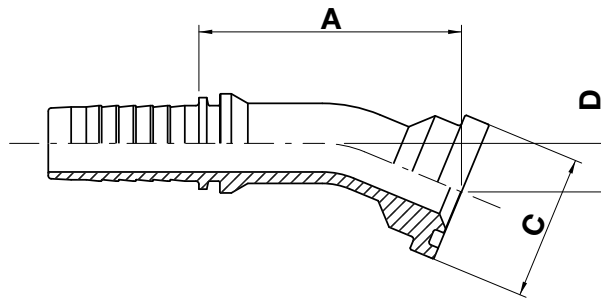
NPTF-NPSM

JIS

**SAE 3000 CODE 61**

SAE 6000 CODE 62

STAPLE LOCK



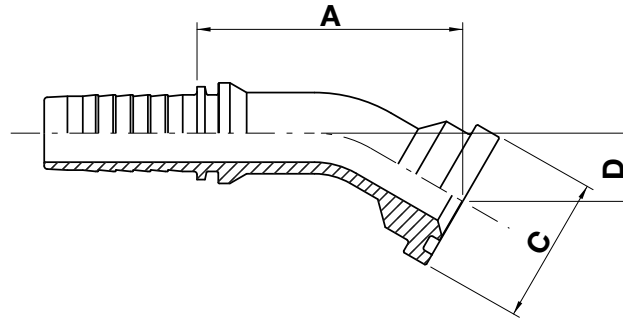
code	ø hose			flange	A		C		D	
	dn	inch	size		mm	in	mm	in	mm	in
AX20B-12-12	19	3/4"	12	3/4"	68,9	2,71	38,1	1,50	12,7	0,50
AX20B-16-16	25	1"	16	1"	72,0	2,83	44,5	1,75	11,5	0,45
AX20B-20-20	31	1.1/4"	20	1.1/4"	96,5	3,80	50,8	2,00	13,5	0,53
AX20B-24-24	38	1.1/2"	24	1.1/2"	99,0	3,90	60,3	2,37	17,2	0,68
AX20B-24-32	38	1.1/2"	24	2"	99,0	3,90	71,4	2,81	17,2	0,68
AX20B-32-32	51	2"	32	2"	133,3	5,25	71,4	2,81	23,0	0,91
AX20B-40-40	63	2.1/2"	40	2.1/2"	105,0	4,13	84,1	3,31	18,6	0,73
AX20B-40-48	63	2.1/2"	40	3"	105,0	4,13	101,6	4,00	18,6	0,73

# AX30B

SAE 3000 code 61 - 30° elbow flange

NO SKIVE / EXTERNAL SKIVE

ISO 6162-1 / SAE J518-1



.....  
FERRULE  
.....  
**FITTING**  
BSP-BSPT  
METRIC  
JIC  
ORFS  
SAE  
NPTF-NPSM  
JIS

**SAE 3000 CODE 61**  
SAE 6000 CODE 62  
STAPLE LOCK

code	ø hose			flange	A		C		D	
	dn	inch	size		mm	in	mm	in	mm	in
AX30B-12-12	19	3/4"	12	3/4"	68,7	2,70	38,1	1,50	17,6	0,69
AX30B-16-16	25	1"	16	1"	77,0	3,03	44,5	1,75	16,5	0,65
AX30B-20-20	31	1.1/4"	20	1.1/4"	94,5	3,72	50,8	2,00	19,0	0,75
AX30B-24-24	38	1.1/2"	24	1.1/2"	103,0	4,06	60,3	2,37	24,2	0,95
AX30B-24-32	38	1.1/2"	24	2"	103,0	4,06	71,4	2,81	24,2	0,95
AX30B-32-32	51	2"	32	2"	140,3	5,52	71,4	2,81	32,0	1,26
AX30B-40-40	63	2.1/2"	40	2.1/2"	114,4	4,50	84,1	3,31	27,7	1,09
AX30B-40-48	63	2.1/2"	40	3"	114,4	4,50	101,6	4,00	27,7	1,09

# AX40B

## SAE 3000 code 61 - 45° elbow flange

NO SKIVE / EXTERNAL SKIVE

ISO 6162-1 / SAE J518-1

FERRULE

**FITTING**

BSP-BSPT

METRIC

JIC

ORFS

SAE

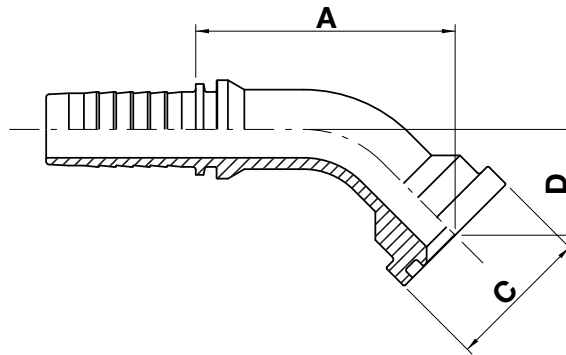
NPTF-NPSM

JIS

**SAE 3000 CODE 61**

SAE 6000 CODE 62

STAPLE LOCK



code	ø hose			flange	A		C		D	
	dn	inch	size		mm	in	mm	in	mm	in
AX40B-08-08	12	1/2"	08	1/2"	55,2	2,17	30,2	1,19	21,9	0,86
AX40B-08-12	12	1/2"	08	3/4"	60,1	2,37	38,1	1,50	24,3	0,96
AX40B-10-12	16	5/8"	10	3/4"	66,0	2,60	38,1	1,50	26,9	1,06
AX40B-12-12	19	3/4"	12	3/4"	68,5	2,70	38,1	1,50	27,9	1,10
AX40B-12-16	19	3/4"	12	1"	70,5	2,77	44,5	1,75	29,0	1,14
AX40B-16-16	25	1"	16	1"	74,4	2,93	44,5	1,75	27,0	1,06
AX40B-16-20	25	1"	16	1.1/4"	76,2	3,00	50,8	2,00	29,0	1,14
AX40B-20-20	31	1.1/4"	20	1.1/4"	88,0	3,46	50,8	2,00	31,1	1,22
AX40B-20-24	31	1.1/4"	20	1.1/2"	90,0	3,54	60,3	2,37	31,0	1,22
AX40B-24-24	38	1.1/2"	24	1.1/2"	100,0	3,94	60,3	2,37	39,4	1,55
AX40B-24-32	38	1.1/2"	24	2"	105,0	4,13	71,4	2,81	39,4	1,55
AX40B-32-24	51	2"	32	1.1/2"	122,3	4,81	60,3	2,37	39,4	1,55
AX40B-32-32	51	2"	32	2"	142,3	5,60	71,4	2,81	53,0	2,09
AX40B-32-40	51	2"	32	2.1/2"	164,0	6,46	84,1	3,31	61,0	2,40
AX40B-40-40	63	2.1/2"	40	2.1/2"	134,4	5,29	84,1	3,31	49,0	1,93
AX40B-40-48	63	2.1/2"	40	3"	137,9	5,43	101,6	4,00	52,5	2,07
AX40B-48-48	76	3"	48	3"	123,2	4,85	101,6	4,00	41,3	1,63

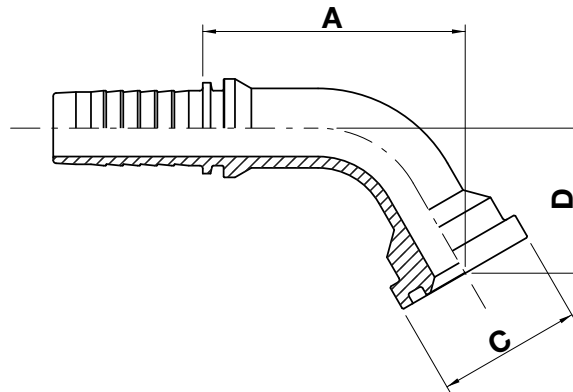


# AX60B

SAE 3000 code 61 - 60° elbow flange

NO SKIVE / EXTERNAL SKIVE

ISO 6162-1 / SAE J518-1



.....  
FERRULE  
.....  
**FITTING**  
BSP-BSPT  
METRIC  
JIC  
ORFS  
SAE  
NPTF-NPSM  
JIS

**SAE 3000 CODE 61**  
SAE 6000 CODE 62  
STAPLE LOCK

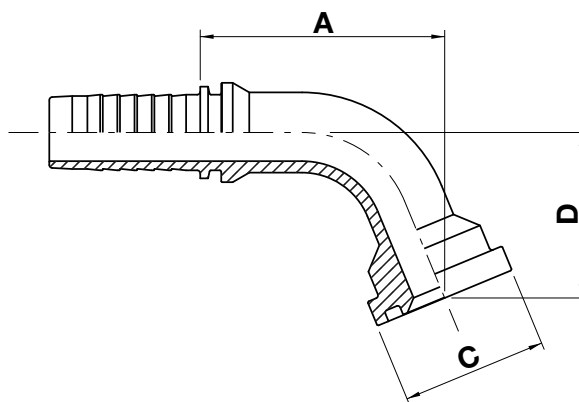
code	ø hose			flange	A		C		D	
	dn	inch	size		mm	in	mm	in	mm	in
AX60B-12-12	19	3/4"	12	3/4"	69,3	2,73	38,1	1,50	38,3	1,51
AX60B-16-16	25	1"	16	1"	78,7	3,10	44,5	1,75	40,0	1,58
AX60B-20-20	31	1.1/4"	20	1.1/4"	94,6	3,72	50,8	2,00	43,9	1,73
AX60B-24-24	38	1.1/2"	24	1.1/2"	114,0	4,49	60,3	2,37	52,0	2,05
AX60B-24-32	38	1.1/2"	24	2"	114,0	4,49	71,4	2,81	55,3	2,18
AX60B-32-32	51	2"	32	2"	157,3	6,19	71,4	2,81	76,0	2,99
AX60B-40-40	63	2.1/2"	40	2.1/2"	138,3	5,44	84,1	3,31	73,4	2,89
AX60B-40-48	63	2.1/2"	40	3"	138,3	5,44	101,6	4,00	73,4	2,89

# AX70B

**SAE 3000 code 61 - 67,5° elbow flange**

NO SKIVE / EXTERNAL SKIVE

ISO 6162-1 / SAE J518-1



FERRULE

**FITTING**

BSP-BSPT

METRIC

JIC

ORFS

SAE

NPTF-NPSM

JIS

**SAE 3000 CODE 61**

SAE 6000 CODE 62

STAPLE LOCK

code	ø hose			flange	A		C		D	
	dn	inch	size		mm	in	mm	in	mm	in
AX70B-12-12	19	3/4"	12	3/4"	64,0	2,52	38,1	1,50	43,3	1,70
AX70B-16-16	25	1"	16	1"	76,0	2,99	44,5	1,75	46,0	1,81
AX70B-20-20	31	1.1/4"	20	1.1/4"	93,5	3,68	50,8	2,00	50,3	1,98
AX70B-24-24	38	1.1/2"	24	1.1/2"	108,5	4,27	60,3	2,37	59,5	2,34
AX70B-24-32	38	1.1/2"	24	2"	111,0	4,37	71,4	2,81	63,0	2,48
AX70B-32-32	51	2"	32	2"	155,3	6,11	71,4	2,81	87,5	3,44
AX70B-40-40	63	2.1/2"	40	2.1/2"	140,4	5,53	84,1	3,31	86,3	3,40
AX70B-40-48	63	2.1/2"	40	3"	140,4	5,53	101,6	4,00	86,3	3,40

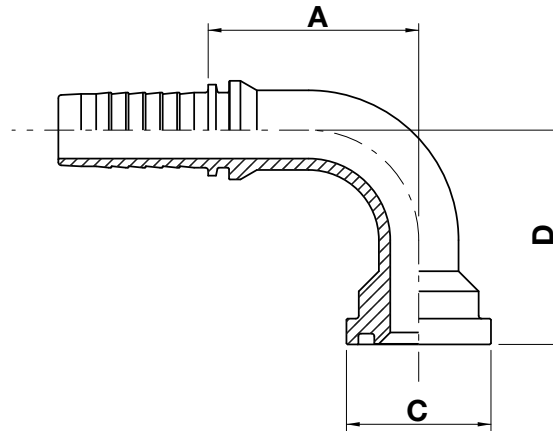
# AX90B



## SAE 3000 code 61 - 90° elbow flange

NO SKIVE / EXTERNAL SKIVE

ISO 6162-1 / SAE J518-1

.....  
FERRULE.....  
**FITTING**

BSP-BSPT

METRIC

JIC

ORFS

SAE

NPTF-NPSM

JIS

**SAE 3000 CODE 61**

SAE 6000 CODE 62

STAPLE LOCK

code	ø hose			flange	A		C		D	
	dn	inch	size		mm	in	mm	in	mm	in
AX90B-06-08	10	3/8"	06	1/2"	52,0	2,05	30,2	1,19	45,0	1,77
AX90B-08-08	12	1/2"	08	1/2"	46,5	1,83	30,2	1,19	45,0	1,77
AX90B-08-12	12	1/2"	08	3/4"	49,0	1,93	38,1	1,50	49,5	1,95
AX90B-10-12	16	5/8"	10	3/4"	55,5	2,19	38,1	1,50	55,0	2,17
AX90B-12-12	19	3/4"	12	3/4"	55,5	2,19	38,1	1,50	56,5	2,22
AX90B-12-16	19	3/4"	12	1"	55,5	2,19	44,5	1,75	58,0	2,28
AX90B-12-20	19	3/4"	12	1.1/4"	62,2	2,45	50,8	2,00	62,0	2,44
AX90B-16-12	25	1"	16	3/4"	63,0	2,48	38,0	1,50	56,5	2,22
AX90B-16-16	25	1"	16	1"	70,0	2,76	44,5	1,75	61,0	2,40
AX90B-16-20	25	1"	16	1.1/4"	69,9	2,75	50,8	2,00	61,0	2,40
AX90B-16-24	25	1"	16	1.1/2"	79,0	3,01	60,3	2,37	73,0	2,87
AX90B-20-16	31	1.1/4"	20	1"	102,0	4,02	44,5	1,75	93,0	3,66
AX90B-20-20	31	1.1/4"	20	1.1/4"	86,8	3,42	50,8	2,00	69,2	2,72
AX90B-20-24	31	1.1/4"	20	1.1/2"	85,0	3,35	60,3	2,37	69,2	2,72
AX90B-24-20	38	1.1/2"	24	1.1/4"	91,5	3,60	50,8	2,00	69,2	2,72
AX90B-24-24	38	1.1/2"	24	1.1/2"	104,0	4,09	60,3	2,37	81,0	3,19
AX90B-24-32	38	1.1/2"	24	2"	102,0	4,02	71,4	2,81	85,0	3,35
AX90B-32-24	51	2"	32	1.1/2"	115,0	4,53	60,3	2,37	81,0	3,19
AX90B-32-32	51	2"	32	2"	132,3	5,21	71,4	2,81	123,0	4,84



## ← AX90B

FERRULE

## FITTING

BSP-BSPT

METRIC

JIC

ORFS

SAE

NPTF-NPSM

JIS

**SAE 3000 CODE 61**

SAE 6000 CODE 62

STAPLE LOCK

code	ø hose			flange	A		C		D	
	dn	inch	size		mm	in	mm	in	mm	in
AX90B-32-40	51	2"	32	2.1/2"	151,0	5,94	84,1	3,31	132,0	5,20
AX90B-40-40	63	2.1/2"	40	2.1/2"	136,2	5,36	84,1	3,31	125,0	4,92
AX90B-40-48	63	2.1/2"	40	3"	136,2	5,36	101,6	4,00	125,0	4,92
AX90B-48-48	76	3"	48	3"	132,7	5,22	101,6	4,00	114,2	4,50

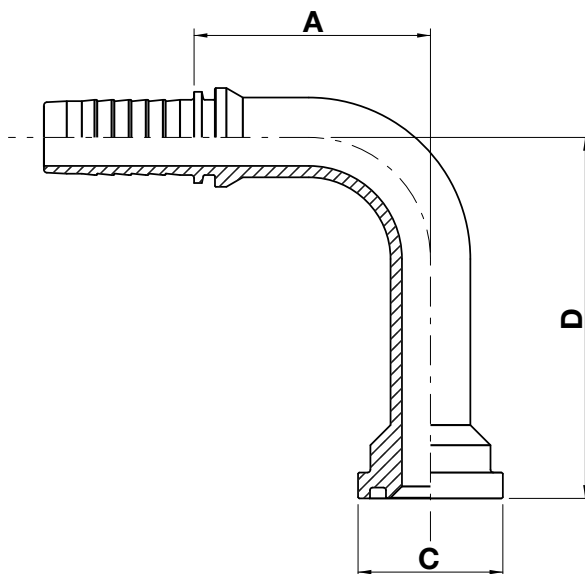


# AX90B-L

SAE 3000 code 61 - 90° elbow flange (long drop)

NO SKIVE / EXTERNAL SKIVE

ISO 6162-1 / SAE J518-1



.....  
FERRULE  
.....  
**FITTING**  
BSP-BSPT  
METRIC  
JIC  
ORFS  
SAE  
NPTF-NPSM  
JIS  
**SAE 3000 CODE 61**  
SAE 6000 CODE 62  
STAPLE LOCK

code	ø hose			flange	A		C		D	
	dn	inch	size		mm	in	mm	in	mm	in
AX90B-12-12-95	19	3/4"	12	3/4"	62,2	2,45	38,0	1,50	95,0	3,74
AX90B-12-16-100	19	3/4"	12	1"	61,2	2,41	44,5	1,75	100,0	3,94
AX90B-16-16-80	25	1"	16	1"	67,0	2,64	44,5	1,75	80,0	3,15
AX90B-16-16-115	25	1"	16	1"	79,0	3,11	44,5	1,75	115,0	4,53
AX90B-24-24-150	38	1.1/2"	24	1.1/2"	104,0	4,09	60,3	2,37	150,0	5,91
AX90B-32-32-100	51	2"	32	2"	137,0	5,39	71,4	2,81	105,0	4,13
AX90B-32-32-203	51	2"	32	2"	132,3	5,21	71,4	2,81	203,0	7,99

# AY10B

**SAE 6000 code 62 straight flange**

NO SKIVE / EXTERNAL SKIVE

ISO 6162-2 / SAE J518-2

FERRULE

**FITTING**

BSP-BSPT

METRIC

JIC

ORFS

SAE

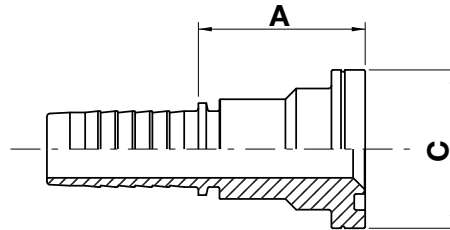
NPTF-NPSM

JIS

SAE 3000 CODE 61

**SAE 6000 CODE 62**

STAPLE LOCK



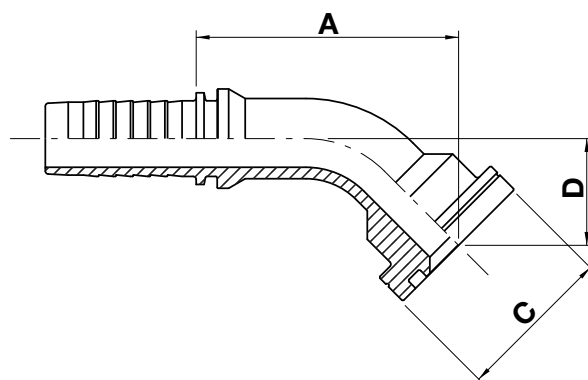
code	ø hose			flange	A		C	
	dn	inch	size		mm	in	mm	in
AY10B-08-08	12	1/2"	08	1/2"	46,0	1,81	31,7	1,25
AY10B-08-12	12	1/2"	08	3/4"	43,0	1,69	41,3	1,63
AY10B-10-08	16	5/8"	10	1/2"	42,5	1,67	31,7	1,25
AY10B-10-12	16	5/8"	10	3/4"	43,0	1,69	41,3	1,63
AY10B-12-12	19	3/4"	12	3/4"	43,5	1,71	41,3	1,63
AY10B-12-16	19	3/4"	12	1"	59,0	2,32	47,6	1,88
AY10B-16-12	25	1"	16	3/4"	56,0	2,20	41,3	1,63
AY10B-16-16	25	1"	16	1"	60,5	2,38	47,6	1,88
AY10B-16-20	25	1"	16	1.1/4"	67,5	2,66	54,0	2,13
AY10B-20-16	31	1.1/4"	20	1"	67,0	2,64	47,6	1,88
AY10B-20-20	31	1.1/4"	20	1.1/4"	70,0	2,76	54,0	2,13
AY10B-20-24	31	1.1/4"	20	1.1/2"	76,0	2,99	63,5	2,50
AY10B-24-24	38	1.1/2"	24	1.1/2"	76,0	2,99	63,5	2,50
AY10B-24-32	38	1.1/2"	24	2"	78,0	3,07	79,4	3,13
AY10B-32-24	51	2"	32	1.1/2"	130,0	5,12	63,5	2,50
AY10B-32-32	51	2"	32	2"	88,5	3,48	79,4	3,13

# AY40B

SAE 6000 code 62 - 45° elbow flange

NO SKIVE / EXTERNAL SKIVE

ISO 6162-2 / SAE J518-2



.....  
FERRULE  
.....  
**FITTING**  
BSP-BSPT  
METRIC  
JIC  
ORFS  
SAE  
NPTF-NPSM  
JIS  
SAE 3000 CODE 61  
**SAE 6000 CODE 62**  
STAPLE LOCK

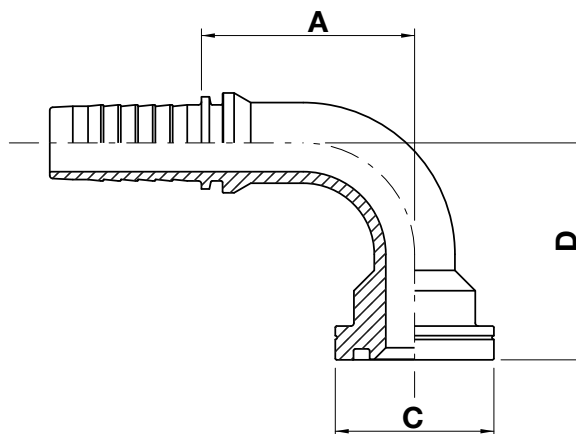
code	ø hose			flange	A		C		D	
	dn	inch	size		mm	in	mm	in	mm	in
AY40B-08-08	12	1/2"	08	1/2"	56,0	2,20	31,7	1,25	23,3	0,92
AY40B-08-12	12	1/2"	08	3/4"	66,5	2,62	41,3	1,63	30,0	1,18
AY40B-10-08	16	5/8"	10	1/2"	70,0	2,76	31,7	1,25	24,8	0,98
AY40B-10-12	16	5/8"	10	3/4"	68,0	2,68	41,3	1,63	29,0	1,14
AY40B-12-12	19	3/4"	12	3/4"	68,7	2,70	41,3	1,63	27,9	1,10
AY40B-12-16	19	3/4"	12	1"	74,7	2,94	47,6	1,88	33,9	1,34
AY40B-16-16	25	1"	16	1"	78,9	3,11	47,6	1,88	30,8	1,21
AY40B-16-20	25	1"	16	1.1/4"	92,0	3,62	54,0	2,13	39,9	1,57
AY40B-20-16	31	1.1/4"	20	1"	106,0	4,18	47,6	1,88	38,0	1,50
AY40B-20-20	31	1.1/4"	20	1.1/4"	111,3	4,38	54,0	2,13	43,8	1,72
AY40B-20-24	31	1.1/4"	20	1.1/2"	115,0	4,53	63,5	2,50	48,0	1,89
AY40B-24-20	38	1.1/2"	24	1.1/4"	114,2	4,50	54,0	2,13	43,8	1,72
AY40B-24-24	38	1.1/2"	24	1.1/2"	126,0	4,96	63,5	2,50	47,4	1,87
AY40B-24-32	38	1.1/2"	24	2"	133,8	5,27	79,4	3,13	57,7	2,27
AY40B-32-24	51	2"	32	1.1/2"	150,4	5,92	63,5	2,50	47,4	1,87
AY40B-32-32	51	2"	32	2"	169,0	6,65	79,4	3,13	63,9	2,52

# AY90B

**SAE 6000 code 62 - 90° elbow flange**

NO SKIVE / EXTERNAL SKIVE

ISO 6162-2 / SAE J518-2



FERRULE

**FITTING**

BSP-BSPT

METRIC

JIC

ORFS

SAE

NPTF-NPSM

JIS

SAE 3000 CODE 61

**SAE 6000 CODE 62**

STAPLE LOCK

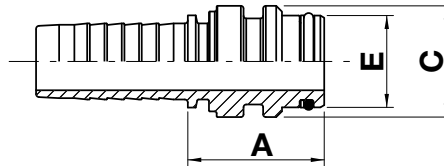
code	ø hose			flange	A		C		D	
	dn	inch	size		mm	in	mm	in	mm	in
AY90B-08-08	12	1/2"	08	1/2"	46,5	1,83	31,7	1,25	47,0	1,85
AY90B-08-12	12	1/2"	08	3/4"	50,5	1,99	41,3	1,63	56,0	2,20
AY90B-10-08	16	5/8"	10	1/2"	55,0	2,17	31,7	1,25	52,0	2,05
AY90B-10-12	16	5/8"	10	3/4"	53,5	2,11	41,3	1,63	58,0	2,28
AY90B-10-16	16	5/8"	10	1/2"	57,5	2,26	47,6	1,88	66,0	2,60
AY90B-12-12	19	3/4"	12	3/4"	55,5	2,19	41,3	1,63	56,5	2,22
AY90B-12-16	19	3/4"	12	1"	55,5	2,19	47,6	1,88	78,0	3,07
AY90B-16-16	25	1"	16	1"	76,0	2,99	47,6	1,88	66,0	2,60
AY90B-16-20	25	1"	16	1.1/4"	78,0	3,07	54,0	2,13	80,5	3,17
AY90B-20-16	31	1.1/4"	20	1"	96,0	3,78	47,6	1,88	85,0	3,35
AY90B-20-20	31	1.1/4"	20	1.1/4"	101,7	4,00	54,0	2,13	86,0	3,39
AY90B-20-24	31	1.1/4"	20	1.1/2"	102,3	4,03	63,5	2,50	98,0	3,86
AY90B-24-24	38	1.1/2"	24	1.1/2"	111,0	4,37	63,5	2,50	104,0	4,09
AY90B-24-32	38	1.1/2"	24	2"	113,0	4,45	79,4	3,13	119,5	4,70
AY90B-32-32	51	2"	32	2"	149,3	5,88	79,4	3,13	134,0	5,28



# ST11B

## Staple lock male

NO SKIVE / EXTERNAL SKIVE



FERRULE

FITTING

BSP-BSPT

METRIC

JIC

ORFS

SAE

NPTF-NPSM

JIS

SAE 3000 CODE 61

SAE 6000 CODE 62

**STAPLE LOCK**

code	ø hose			A		C		E	
	dn	inch	size	mm	in	mm	in	mm	in
ST11B-04-04	6	1/4"	04	35,5	1,40	14,9	0,59	9,9	0,39
ST11B-04-06	6	1/4"	04	34,5	1,36	19,9	0,78	13,9	0,55
ST11B-06-06	10	3/8"	06	34,5	1,36	19,9	0,79	13,9	0,55
ST11B-08-08	12	1/2"	08	35,0	1,38	23,9	0,94	17,9	0,70
ST11B-10-10	16	5/8"	10	36,0	1,42	25,9	1,02	20,9	0,82
ST11B-12-12	19	3/4"	12	35,5	1,40	28,9	1,14	23,9	0,94
ST11B-16-16	25	1"	16	44,0	1,73	38,9	1,53	30,9	1,22
ST11B-20-20	31	1.1/4"	20	47,0	1,85	45,9	1,81	37,9	1,49
ST11B-24-24	38	1.1/2"	24	51,0	2,01	54,9	2,16	46,9	1,85
ST11B-32-32	51	2"	32	57,0	2,24	63,9	2,52	55,9	2,20
ST11B-40-40	63	2.1/2"	40	100,5	3,96	80,9	3,19	79,0	3,11

# WO10B

## Brazing tail

FERRULE

### FITTING

BSP-BSPT

METRIC

JIC

ORFS

SAE

NPTF-NPSM

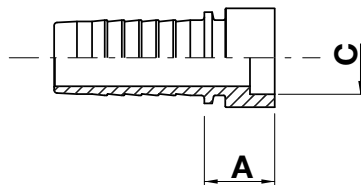
GREASE

JIS

SAE 3000 CODE 61

SAE 6000 CODE 62

STAPLE LOCK



code	ø hose			A		C	
	dn	inch	size	mm	in	mm	in
WO10B-04-04	6	1/4"	04	14,5	0,57	6,5	0,26
WO10B-06-06	10	3/8"	06	16,5	0,65	9,5	0,38
WO10B-08-08	12	1/2"	08	17,0	0,67	12,8	0,51
WO10B-10-10	16	5/8"	10	17,0	0,67	16,0	0,63
WO10B-12-12	19	3/4"	12	18,5	0,73	19,2	0,76
WO10B-16-16	25	1"	16	23,0	0,91	25,6	1,01



## LubeTeam Hydraulic S.r.l.

*Administration and Headquarter:*

Via Tufara Scautieri, 6

83018 - San Martino Valle Caudina (AV)

*Office and Warehouse:*

S.S. 7 Appia, Km. 237,00

82011 - Airola BN

ITALY

Tel. +39 0823 950 994

Fax +39 0823 412 546

[www.lubeteam.it](http://www.lubeteam.it) [info@lubeteam.it](mailto:info@lubeteam.it)

Italian VAT / C.F. e P.IVA: 01251720627

Follow us



This document is the property of LubeTeam Hydraulic S.r.l. All data reported here are for the exclusive use of the Receiver. Reproduction is not authorized without writing permission, in all or in part of the content of this document, in accordance to Law 633 art. 171, dated April 22, 1941.

Il presente documento è di proprietà della LubeTeam Hydraulic S.r.l. I dati riportati sono per esclusivo del destinatario. La riproduzione, di tutto o in parte, non è autorizzata senza permesso scritto secondo l'art. 171 della L. 633 del 22 Aprile 1941.