



INTERTRACO  
Raccordi per Tubi Flessibili  
Serie I



 HYDRAULIC  
COMPONENTS  
& FLUID CONTAMINATION  
CONTROL



All trademarks belong to their respective owners; third party trademarks, product names, trade names, corporate names and company names mentioned may be trademarks of their respective owners or registered trademarks of other companies and are used for instructional purposes and for the benefit of the owner, without any end of Copyright infringement in force.

Tutti i marchi riportati appartengono ai legittimi proprietari; marchi di terzi, nomi di prodotti, nomi commerciali, nomi corporativi e società citati possono essere di proprietà dei rispettivi titolari o registrati da altre società e sono stati utilizzati a puro scopo esplicativo e a beneficio del possessore, senza alcun fine di violazione dei diritti di Copyright vigenti.



**SERIES**

---

**Interlock fittings for  
4 and 6 spiral hoses**

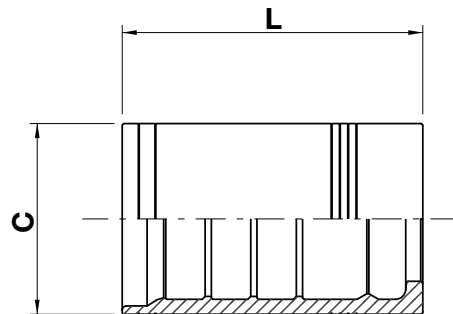


| product  | standard            | code  | description   | page |
|----------|---------------------|---|---|------|
| Ferrule  | -                   | S004I   | Interlock ferrule for: EN 856 4SH / ISO 18752 / SAE 100 R15 | 137  |
|          |                     | S006I   | Interlock ferrule for: ISO 18752 / SAE 100 R15              | 138  |
|          |                     | S007I   | Interlock ferrule for: ISO 18752                            | 139  |
| Fittings | BSP-BSPT            | MT10I   | BSPT tapered male 60° cone                                  | 140  |
|          |                     | MB10I   | BSP male 60° cone   | 141  |
|          |                     | FO12I   | BSP O-ring female swivel 60° cone                           | 142  |
|          |                     | FO42I   | BSP O-ring female swivel 60° cone - 45° elbow               | 143  |
|          |                     | FO92I   | BSP O-ring female swivel 60° cone - 90° elbow               | 144  |
|          | METRIC              | MS10I   | Metric heavy male (24° cone seat)                           | 145  |
|          |                     | FS13I   | Metric heavy female swivel (24° cone seat)                  | 146  |
|          |                     | FS43I   | Metric heavy female swivel - 45° elbow (24° cone seat)      | 147  |
|          |                     | FS93I   | Metric heavy female swivel - 90° elbow (24° cone seat)      | 148  |
|          | JIC                 | MJ10I   | JIC 37° male  | 149  |
|          |                     | FJ12I   | JIC 37° female swivel                                       | 150  |
|          |                     | FJ42I   | JIC 37° female swivel - 45° elbow                           | 151  |
|          |                     | FJ92I   | JIC 37° female swivel - 90° elbow                           | 152  |
|          | ORFS                | OR13I   | ORFS female swivel  | 153  |
|          |                     | OR44I   | ORFS female swivel - 45° elbow                              | 154  |
|          |                     | OR94I   | ORFS female swivel - 90° elbow                              | 155  |
|          | NPTF                | MN10I   | NPTF male (60° cone seat)                                   | 156  |
|          | SAE 3000<br>CODE 61 | AX10I   | SAE 3000 code 61 straight flange                            | 157  |
|          |                     | AX30I   | SAE 3000 code 61 - 30° elbow flange                         | 158  |
|          |                     | AX40I   | SAE 3000 code 61 - 45° elbow flange                         | 159  |
|          |                     | AX60I   | SAE 3000 code 61 - 60° elbow flange                         | 160  |
|          |                     | AX90I   | SAE 3000 code 61 - 90° elbow flange                         | 161  |
|          | SAE 6000<br>CODE 62 | AY10I   | SAE 6000 code 62 straight flange                            | 162  |
|          |                     | AY10I-L   | SAE 6000 code 62 straight flange (long reach version)       | 163  |
|          |                     | AY30I   | SAE 6000 code 62 - 30° elbow flange                         | 164  |
|          |                     | AY40I   | SAE 6000 code 62 - 45° elbow flange                         | 165  |
|          |                     | AY40I-L   | SAE 6000 code 62 - 45° elbow flange (long drop)             | 166  |
|          |                     | AY60I   | SAE 6000 code 62 - 60° elbow flange                         | 167  |
| AY90I    |                     | SAE 6000 code 62 - 90° elbow flange             | 168   |      |
| AY90I-L  |                     | SAE 6000 code 62 - 90° elbow flange (long drop) | 169   |      |

| product  | standard                               | code  | description                           | page |
|----------|--|-------|---------------------------------------|------|
| Fittings | TAPERED<br>SAE<br>FLANGE               | AL13I | Tapered SAE straight flange           | 170  |
|          |  | AL43I | Tapered SAE - 45° elbow flange        | 171  |
|          |  | AL93I | Tapered SAE - 90° elbow flange        | 172  |
|          | "SUPERCAT"<br>STYLE<br>H. P.<br>FLANGE | AY1CI | "SUPERCAT" style straight flange      | 173  |
|          |  | AY2CI | "SUPERCAT" style - 22,5° elbow flange | 174  |
|          |  | AY3CI | "SUPERCAT" style - 30° elbow flange   | 175  |
|          |  | AY4CI | "SUPERCAT" style - 45° elbow flange   | 176  |
|          |  | AY6CI | "SUPERCAT" style - 60° elbow flange   | 177  |
|          |  | AY9CI | "SUPERCAT" style - 90° elbow flange   | 178  |

# S004I

## Interlock ferrule



.....  
**FERRULE**  
**S004I**  
 S006I  
 S007I  
 .....  
 FITTING

| code     | ø hose |        |      | C    |      | L    |      |
|----------|--------|--------|------|------|------|------|------|
|          | dn     | inch   | size | mm   | in   | mm   | in   |
| S004I-06 | 10     | 3/8"   | 06   | 27,0 | 1,06 | 49,0 | 1,93 |
| S004I-08 | 12     | 1/2"   | 08   | 30,0 | 1,18 | 52,5 | 2,07 |
| S004I-10 | 16     | 5/8"   | 10   | 34,0 | 1,34 | 57,5 | 2,26 |
| S004I-12 | 19     | 3/4"   | 12   | 38,0 | 1,50 | 60,0 | 2,36 |
| S004I-16 | 25     | 1"     | 16   | 46,0 | 1,81 | 72,5 | 2,85 |
| S004I-20 | 31     | 1.1/4" | 20   | 55,0 | 2,17 | 88,0 | 3,46 |
| S004I-24 | 38     | 1.1/2" | 24   | 62,0 | 2,44 | 94,0 | 3,70 |
| S004I-32 | 51     | 2"     | 32   | 78,0 | 3,07 | 99,0 | 3,90 |

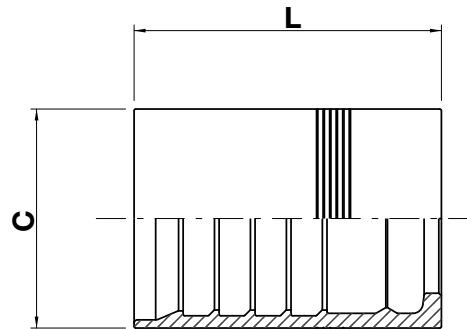
Please refer to our crimping charts for application details of each size

Interlock ferrule for: EN 856 4SH / ISO 18752 / SAE 100 R15

Intertraco/Bridgestone hose type: FlexIT H4, F5000, F6000, 4ST, 4ST+

# S006I

## Interlock ferrule



### FERRULE

S004I

**S006I**

S007I

### FITTING

| code     | ø hose |        |      | C     |      | L     |      |
|----------|--------|--------|------|-------|------|-------|------|
|          | dn     | inch   | size | mm    | in   | mm    | in   |
| S006I-20 | 31     | 1.1/4" | 20   | 60,0  | 2,36 | 88,0  | 3,46 |
| S006I-24 | 38     | 1.1/2" | 24   | 67,0  | 2,64 | 94,0  | 3,70 |
| S006I-32 | 51     | 2"     | 32   | 84,5  | 3,33 | 99,0  | 3,90 |
| S006I-40 | 63     | 2.1/2" | 40   | 103,0 | 4,06 | 133,0 | 5,24 |

Please refer to our crimping charts for application details of each size

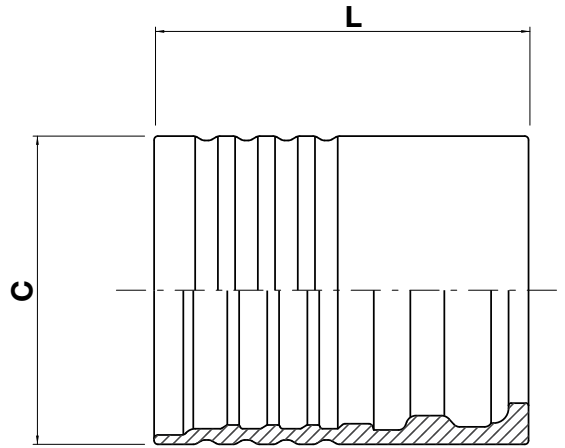
**Interlock ferrule for:** ISO 18752 / SAE 100 R15

**Intertraco/Bridgestone hose type:** FlexIT F5000, F6000, 6ST



# S007I

## Interlock ferrule



| FERRULE      |
|--------------|
| S004I        |
| S006I        |
| <b>S007I</b> |
| FITTING      |

| code     | ø hose |      |      | C     |      | L     |      |
|----------|--------|------|------|-------|------|-------|------|
|          | dn     | inch | size | mm    | in   | mm    | in   |
| S007I-48 | 76     | 3"   | 48   | 123,5 | 4,86 | 150,0 | 5,90 |

Please refer to our crimping charts for application details of each size

Interlock ferrule for: ISO 18752

Intertraco hose type: FlexIT F5000

# MT10I

BSPT tapered male 60° cone

INTERLOCK

FERRULE

FITTING

**BSP-BSPT**

METRIC

JIC

ORFS

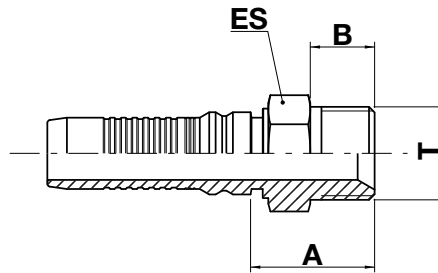
NPTF


SAE 3000 CODE 61

SAE 6000 CODE 62

TAPERED SAE

SUPERCAT STYLE

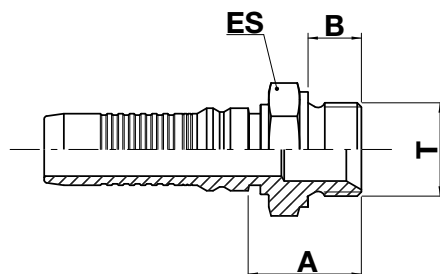


| code        | ø hose |        |      | T         | A    |      | B    |      | ES   |       |  |
|-------------|--------|--------|------|-----------|------|------|------|------|------|-------|--|
|             | dn     | inch   | size |           | mm   | in   | mm   | in   | mm   | in    |  in |
| MT10I-12-12 | 19     | 3/4"   | 12   | 3/4"-14   | 41,0 | 1,61 | 20,0 | 0,79 | 27,0 | 1,063 | 1.1/16"  |
| MT10I-16-16 | 25     | 1"     | 16   | 1"-11     | 44,0 | 1,73 | 23,0 | 0,91 | 36,0 | 1,417 | 1.7/16"  |
| MT10I-20-20 | 31     | 1.1/4" | 20   | 1.1/4"-11 | 47,2 | 1,86 | 25,0 | 0,98 | 46,0 | 1,811 | 1.13/16"   |
| MT10I-24-24 | 38     | 1.1/2" | 24   | 1.1/2"-11 | 50,5 | 1,99 | 28,0 | 1,10 | 50,0 | 1,969 | 2"   |
| MT10I-32-32 | 51     | 2"     | 32   | 2"-11     | 55,0 | 2,17 | 28,0 | 1,10 | 60,0 | 2,362 | 2.3/8"   |

# MB10I

**BSP male 60° cone****INTERLOCK**

ISO 8434-6 / BS 5200



.....  
FERRULE  
.....  
**FITTING**  
**BSP-BSPT**  
METRIC  
JIC  
ORFS  
NPTF  
SAE 3000 CODE 61  
SAE 6000 CODE 62  
TAPERED SAE  
SUPERCAT STYLE

| code        | ø hose |        |      | T         | A    |      | B    |      | ES   |       |         |
|-------------|--------|--------|------|-----------|------|------|------|------|------|-------|---------|
|             | dn     | inch   | size |           | mm   | in   | mm   | in   | mm   | in    | in      |
| MB10I-12-12 | 19     | 3/4"   | 12   | 3/4"-14   | 35,0 | 1,38 | 16,0 | 0,63 | 32,0 | 1,260 | 1.1/4"  |
| MB10I-12-16 | 19     | 3/4"   | 12   | 1"-11     | 39,0 | 1,53 | 19,0 | 0,75 | 41,0 | 1,614 | 1.5/8"  |
| MB10I-16-16 | 25     | 1"     | 16   | 1"-11     | 40,0 | 1,57 | 19,0 | 0,75 | 41,0 | 1,614 | 1.5/8"  |
| MB10I-16-20 | 25     | 1"     | 16   | 1.1/4"-11 | 43,0 | 1,69 | 20,0 | 0,79 | 50,0 | 1,969 | 2"      |
| MB10I-20-16 | 31     | 1.1/4" | 20   | 1"-11     | 47,2 | 1,86 | 19,0 | 0,75 | 41,0 | 1,614 | 1.5/8"  |
| MB10I-20-20 | 31     | 1.1/4" | 20   | 1.1/4"-11 | 45,2 | 1,78 | 20,0 | 0,79 | 50,0 | 1,969 | 2"      |
| MB10I-24-16 | 38     | 1.1/2" | 24   | 1"-11     | 47,5 | 1,87 | 19,0 | 0,75 | 50,0 | 1,969 | 2"      |
| MB10I-24-24 | 38     | 1.1/2" | 24   | 1.1/2"-11 | 48,5 | 1,91 | 22,0 | 0,87 | 55,0 | 2,165 | 2.3/16" |
| MB10I-32-32 | 51     | 2"     | 32   | 2"-11     | 58,5 | 2,30 | 25,0 | 0,98 | 70,0 | 2,756 | 2.3/4"  |

# FO12I

## BSP O-ring female swivel 60° cone

INTERLOCK

ISO 8434-6 / BS 5200

FERRULE

### FITTING

**BSP-BSPT**

METRIC

JIC

ORFS

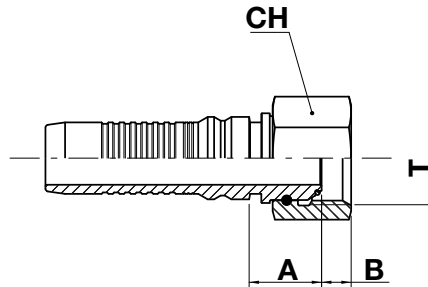
NPTF

SAE 3000 CODE 61

SAE 6000 CODE 62

TAPERED SAE

SUPERCAT STYLE



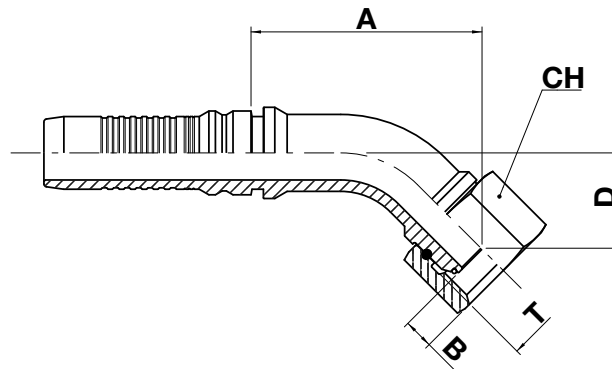
| code        | ø hose |        |      | T         | A    |      | B    |      | CH   |       |         |
|-------------|--------|--------|------|-----------|------|------|------|------|------|-------|---------|
|             | dn     | inch   | size |           | mm   | in   | mm   | in   | mm   | in    | ↻ in    |
| FO12I-12-12 | 19     | 3/4"   | 12   | 3/4"-14   | 23,3 | 0,92 | 9,0  | 0,35 | 32,0 | 1,260 | 1.1/4"  |
| FO12I-12-16 | 19     | 3/4"   | 12   | 1"-11     | 27,5 | 1,08 | 10,5 | 0,41 | 38,0 | 1,496 | 1.1/2"  |
| FO12I-16-16 | 25     | 1"     | 16   | 1"-11     | 26,5 | 1,04 | 10,5 | 0,41 | 38,0 | 1,496 | 1.1/2"  |
| FO12I-20-20 | 31     | 1.1/4" | 20   | 1.1/4"-11 | 33,7 | 1,33 | 10,0 | 0,39 | 50,0 | 1,969 | 2"      |
| FO12I-24-24 | 38     | 1.1/2" | 24   | 1.1/2"-11 | 32,5 | 1,28 | 12,0 | 0,47 | 55,0 | 2,165 | 2.3/16" |
| FO12I-32-32 | 51     | 2"     | 32   | 2"-11     | 34,9 | 1,37 | 16,0 | 0,63 | 70,0 | 2,756 | 2.3/4"  |

# FO42I

## BSP O-ring female swivel 60° cone - 45° elbow

INTERLOCK

ISO 8434-6 / BS 5200



.....  
FERRULE  
.....  
**FITTING**  
**BSP-BSPT**  
METRIC  
JIC  
ORFS  
NPTF  
SAE 3000 CODE 61  
SAE 6000 CODE 62  
TAPERED SAE  
SUPERCAT STYLE

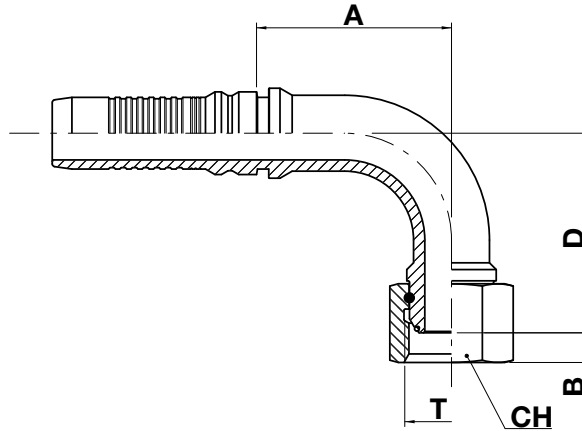
| code        | ø hose |        |      | T         | A     |      | B    |      | D    |      | CH   |       |         |
|-------------|--------|--------|------|-----------|-------|------|------|------|------|------|------|-------|---------|
|             | dn     | inch   | size |           | mm    | in   | mm   | in   | mm   | in   | mm   | in    | in      |
| FO42I-12-12 | 19     | 3/4"   | 12   | 3/4"-14   | 66,4  | 2,61 | 9,0  | 0,35 | 28,3 | 1,11 | 32,0 | 1,260 | 1.1/4"  |
| FO42I-16-16 | 25     | 1"     | 16   | 1"-11     | 80,7  | 3,18 | 10,5 | 0,41 | 33,8 | 1,33 | 38,0 | 1,496 | 1.1/2"  |
| FO42I-20-20 | 31     | 1.1/4" | 20   | 1.1/4"-11 | 94,7  | 3,73 | 10,0 | 0,39 | 37,5 | 1,48 | 50,0 | 1,969 | 2"      |
| FO42I-24-24 | 38     | 1.1/2" | 24   | 1.1/2"-11 | 116,5 | 4,59 | 12,0 | 0,47 | 49,2 | 1,94 | 55,0 | 2,165 | 2.3/16" |
| FO42I-32-32 | 51     | 2"     | 32   | 2"-11     | 137,3 | 5,41 | 16,0 | 0,63 | 60,3 | 2,37 | 70,0 | 2,756 | 2.3/4"  |

# FO92I

## BSP O-ring female swivel 60° cone - 90° elbow

INTERLOCK

ISO 8434-6 / BS 5200



FERRULE

**FITTING****BSP-BSPT**

METRIC

JIC

ORFS

NPTF

SAE 3000 CODE 61

SAE 6000 CODE 62

TAPERED SAE

SUPERCAT STYLE

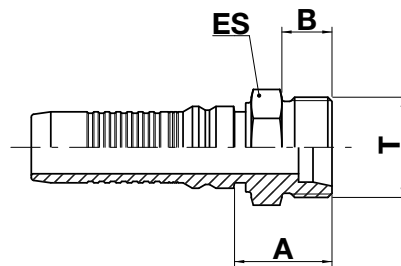
| code        | ø hose |        |      | T         | A     |      | B    |      | D     |      | CH   |       |         |
|-------------|--------|--------|------|-----------|-------|------|------|------|-------|------|------|-------|---------|
|             | dn     | inch   | size |           | mm    | in   | mm   | in   | mm    | in   | mm   | in    | ↻ in    |
| FO92I-12-12 | 19     | 3/4"   | 12   | 3/4"-14   | 53,0  | 2,09 | 9,0  | 0,35 | 57,0  | 2,24 | 32,0 | 1,260 | 1.1/4"  |
| FO92I-16-16 | 25     | 1"     | 16   | 1"-11     | 69,0  | 2,72 | 10,5 | 0,41 | 71,0  | 2,80 | 38,0 | 1,496 | 1.1/2"  |
| FO92I-20-20 | 31     | 1.1/4" | 20   | 1.1/4"-11 | 83,2  | 3,27 | 10,0 | 0,39 | 77,0  | 3,03 | 50,0 | 1,969 | 2"      |
| FO92I-20-24 | 31     | 1.1/4" | 20   | 1.1/2"-11 | 79,7  | 3,14 | 12,0 | 0,47 | 89,0  | 3,50 | 55,0 | 2,165 | 2.3/16" |
| FO92I-24-24 | 38     | 1.1/2" | 24   | 1.1/2"-11 | 99,5  | 3,92 | 12,0 | 0,47 | 100,0 | 3,94 | 55,0 | 2,165 | 2.3/16" |
| FO92I-32-32 | 51     | 2"     | 32   | 2"-11     | 127,0 | 5,00 | 16,0 | 0,63 | 128,0 | 5,04 | 70,0 | 2,756 | 2.3/4"  |

# MS10I


Metric heavy male (24° cone seat)

INTERLOCK

ISO 8434-1 / DIN 3865



.....  
FERRULE  
.....  
**FITTING**  
BSP-BSPT  
**METRIC**  
JIC  
ORFS  
NPTF  
SAE 3000 CODE 61  
SAE 6000 CODE 62  
TAPERED SAE  
SUPERCAT STYLE

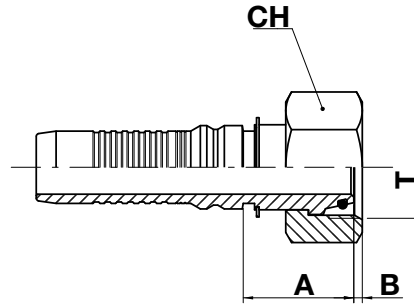
| code        | ø hose |        |      | T     | pipe | A    |      | B    |      | ES   |       |  |
|-------------|--------|--------|------|-------|------|------|------|------|------|------|-------|--|
|             | dn     | inch   | size |       |      | mm   | in   | mm   | in   | mm   | in    |  in |
| MS10I-10-30 | 16     | 5/8"   | 10   | M30X2 | S20  | 32,0 | 1,26 | 16,0 | 0,63 | 30,0 | 1,181 | 1.3/16"  |
| MS10I-12-36 | 19     | 3/4"   | 12   | M36X2 | S25  | 35,0 | 1,38 | 18,0 | 0,71 | 36,0 | 1,417 | 1.7/16"  |
| MS10I-16-36 | 25     | 1"     | 16   | M36X2 | S25  | 35,0 | 1,38 | 18,0 | 0,71 | 36,0 | 1,417 | 1.7/16"  |
| MS10I-16-42 | 25     | 1"     | 16   | M42X2 | S30  | 38,0 | 1,50 | 20,0 | 0,79 | 46,0 | 1,811 | 1.13/16"   |
| MS10I-20-52 | 31     | 1.1/4" | 20   | M52X2 | S38  | 47,2 | 1,86 | 22,0 | 0,87 | 55,0 | 2,165 | 2.3/16"  |
| MS10I-24-52 | 38     | 1.1/2" | 24   | M52X2 | S38  | 47,5 | 1,87 | 22,0 | 0,87 | 55,0 | 2,165 | 2.3/16"  |

# FS13I FS12I

## Metric heavy female swivel (24° cone seat)

INTERLOCK

ISO 8434-1 / DIN 3865



FERRULE

### FITTING

BSP-BSPT

**METRIC**

JIC

ORFS

NPTF

SAE 3000 CODE 61

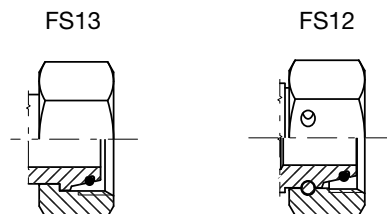
SAE 6000 CODE 62

TAPERED SAE

SUPERCAT STYLE

| code         | ø hose |        |      | T      | pipe | A     |      | B    |      | CH    |       |          |
|--------------|--------|--------|------|--------|------|-------|------|------|------|-------|-------|----------|
|              | dn     | inch   | size |        |      | mm    | in   | mm   | in   | mm    | in    | ↗ in     |
| FS13I-10-30  | 16     | 5/8"   | 10   | M30X2  | S20  | 34,0  | 1,34 | 3,5  | 0,14 | 36,0  | 1,417 | 1.7/16"  |
| FS13-12-30   | 19     | 3/4"   | 12   | M30X2  | S20  | 32,0  | 1,26 | 3,5  | 0,14 | 36,0  | 1,417 | 1.7/16"  |
| FS13I-12-36  | 19     | 3/4"   | 12   | M36X2  | S25  | 39,5  | 1,56 | 3,0  | 0,12 | 46,0  | 1,811 | 1.13/16" |
| FS13I-16-36  | 25     | 1"     | 16   | M36X2  | S25  | 39,0  | 1,54 | 3,0  | 0,12 | 46,0  | 1,811 | 1.13/16" |
| FS13I-16-42  | 25     | 1"     | 16   | M42X2  | S30  | 41,5  | 1,63 | 6,0  | 0,24 | 50,0  | 1,969 | 2"       |
| FS12I-20-42  | 31     | 1.1/4" | 20   | M42X2  | S30  | 33,2  | 1,31 | 6,0  | 0,24 | 50,0  | 1,969 | 2"       |
| FS13I-20-52  | 31     | 1.1/4" | 20   | M52X2  | S38  | 45,2  | 1,78 | 6,5  | 0,26 | 60,0  | 2,362 | 2.3/8"   |
| FS13I-24-52  | 38     | 1.1/2" | 24   | M52X2  | S38  | 45,5  | 1,79 | 6,5  | 0,26 | 60,0  | 2,362 | 2.3/8"   |
| FS13I-32-68  | 51     | 2"     | 32   | M68X2  | S54  | 67,0  | 2,64 | 6,0  | 0,24 | 80,0  | 3,150 | 3.3/16"  |
| FS13I-40-82  | 63     | 2.1/2" | 40   | M82X2  | S63  | 85,0  | 3,35 | 13,0 | 0,51 | 95,0  | 3,740 | 3.5/8"   |
| FS13I-48-100 | 76     | 3"     | 48   | M100X2 | S80  | 104,0 | 4,09 | 14,9 | 0,59 | 125,0 | 4,921 | 5"       |

### Nut type



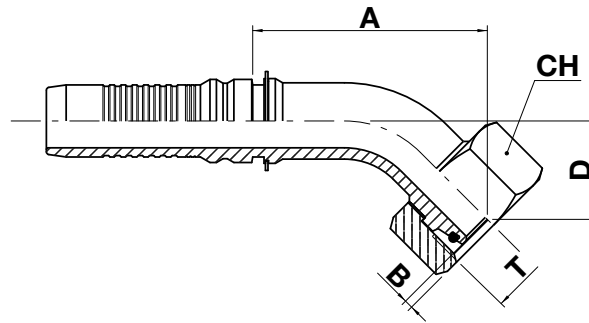


# FS43I


## Metric heavy female swivel - 45° elbow (24° cone seat)

INTERLOCK

ISO 8434-1 / DIN 3865



.....  
FERRULE  
.....  
**FITTING**  
BSP-BSPT  
**METRIC**  
JIC  
ORFS  
NPTF  
SAE 3000 CODE 61  
SAE 6000 CODE 62  
TAPERED SAE  
SUPERCAT STYLE

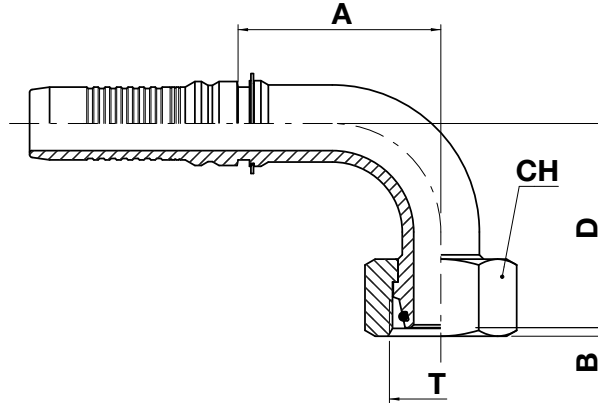
| code        | ø hose |        |      | T     | pipe | A     |      | B   |      | D    |      | CH   |       |  |
|-------------|--------|--------|------|-------|------|-------|------|-----|------|------|------|------|-------|--|
|             | dn     | inch   | size |       |      | mm    | in   | mm  | in   | mm   | in   | mm   | in    |  in |
| FS43I-10-30 | 16     | 5/8"   | 10   | M30X2 | S20  | 63,6  | 2,50 | 3,5 | 0,14 | 28,6 | 1,13 | 36,0 | 1,417 | 1.7/16"  |
| FS43I-12-36 | 19     | 3/4"   | 12   | M36X2 | S25  | 67,4  | 2,65 | 3,0 | 0,12 | 30,4 | 1,20 | 46,0 | 1,811 | 1.13/16"   |
| FS43I-16-42 | 25     | 1"     | 16   | M42X2 | S30  | 86,0  | 3,39 | 6,0 | 0,24 | 37,3 | 1,47 | 50,0 | 1,969 | 2"   |
| FS43I-20-52 | 31     | 1.1/4" | 20   | M52X2 | S38  | 115,1 | 4,53 | 6,5 | 0,26 | 45,7 | 1,80 | 60,0 | 2,362 | 2.3/8"   |
| FS43I-24-52 | 38     | 1.1/2" | 24   | M52X2 | S38  | 134,5 | 5,30 | 6,5 | 0,26 | 58,8 | 2,31 | 60,0 | 2,362 | 2.3/8"   |

# FS93I

## Metric heavy female swivel - 90° elbow (24° cone seat)

INTERLOCK

ISO 8434-1 / DIN 3865



FERRULE

### FITTING

BSP-BSPT

**METRIC**

JIC

ORFS

NPTF

SAE 3000 CODE 61

SAE 6000 CODE 62

TAPERED SAE

SUPERCAT STYLE

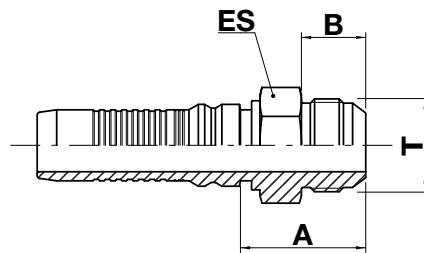
| code        | ø hose |        |      | T     | pipe | A     |      | B   |      | D     |      | CH   |       |          |
|-------------|--------|--------|------|-------|------|-------|------|-----|------|-------|------|------|-------|----------|
|             | dn     | inch   | size |       |      | mm    | in   | mm  | in   | mm    | in   | mm   | in    | ↗ in     |
| FS93I-10-30 | 16     | 5/8"   | 10   | M30X2 | S20  | 52,5  | 2,07 | 3,5 | 0,14 | 55,0  | 2,16 | 36,0 | 1,417 | 1.7/16"  |
| FS93I-12-36 | 19     | 3/4"   | 12   | M36X2 | S25  | 53,0  | 2,09 | 3,0 | 0,12 | 60,0  | 2,36 | 46,0 | 1,811 | 1.13/16" |
| FS93I-16-36 | 25     | 1"     | 16   | M36X2 | S25  | 71,0  | 2,80 | 3,0 | 0,12 | 71,5  | 2,81 | 46,0 | 1,811 | 1.13/16" |
| FS93I-16-42 | 25     | 1"     | 16   | M42X2 | S30  | 71,0  | 2,80 | 6,0 | 0,24 | 75,0  | 2,95 | 50,0 | 1,969 | 2"       |
| FS93I-20-52 | 31     | 1.1/4" | 20   | M52X2 | S38  | 88,3  | 3,48 | 6,5 | 0,26 | 95,7  | 3,77 | 60,0 | 2,362 | 2.3/8"   |
| FS93I-24-52 | 38     | 1.1/2" | 24   | M52X2 | S38  | 109,5 | 4,31 | 6,5 | 0,26 | 120,0 | 4,72 | 60,0 | 2,362 | 2.3/8"   |

# MJ10I

JIC 37° male

INTERLOCK

ISO 8434-2 / SAE J514



.....  
FERRULE  
.....  
**FITTING**  
BSP-BSPT  
METRIC  
**JIC**  
ORFS  
NPTF  
SAE 3000 CODE 61  
SAE 6000 CODE 62  
TAPERED SAE  
SUPERCAT STYLE

| code        | ø hose |        |      | T          | A    |      | B    |      | ES   |       |          |
|-------------|--------|--------|------|------------|------|------|------|------|------|-------|----------|
|             | dn     | inch   | size |            | mm   | in   | mm   | in   | mm   | in    | in       |
| MJ10I-12-12 | 19     | 3/4"   | 12   | 1.1/16"-12 | 35,5 | 1,40 | 21,9 | 0,86 | 32,0 | 1,260 | 1.1/4"   |
| MJ10I-16-16 | 25     | 1"     | 16   | 1.5/16"-12 | 45,0 | 1,77 | 23,1 | 0,91 | 36,0 | 1,417 | 1.7/16"  |
| MJ10I-16-20 | 25     | 1"     | 16   | 1.5/8"-12  | 56,8 | 2,24 | 24,3 | 0,96 | 46,0 | 1,811 | 1.13/16" |
| MJ10I-20-20 | 31     | 1.1/4" | 20   | 1.5/8"-12  | 59,7 | 2,35 | 24,3 | 0,96 | 46,0 | 1,811 | 1.13/16" |
| MJ10I-20-24 | 31     | 1.1/4" | 20   | 1.7/8"-12  | 63,2 | 2,49 | 27,5 | 1,08 | 50,0 | 1,969 | 2"       |
| MJ10I-24-24 | 38     | 1.1/2" | 24   | 1.7/8"-12  | 63,5 | 2,50 | 27,5 | 1,08 | 50,0 | 1,969 | 2"       |
| MJ10I-32-32 | 51     | 2"     | 32   | 2.1/2"-12  | 61,0 | 2,40 | 33,9 | 1,33 | 65,0 | 2,559 | 2.9/16"  |

# FJ12I

## JIC 37° female swivel

INTERLOCK

ISO 8434-2 / SAE J514

FERRULE

**FITTING**

BSP-BSPT

METRIC

**JIC**

ORFS

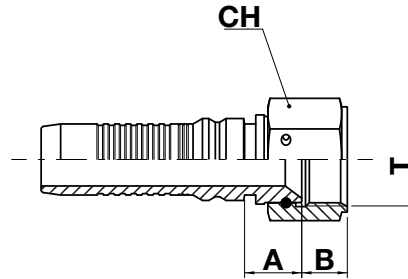
NPTF

SAE 3000 CODE 61

SAE 6000 CODE 62

TAPERED SAE

SUPERCAT STYLE



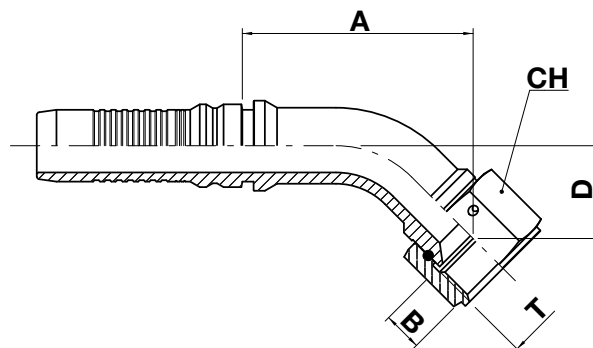
| code        | ø hose |        |      | T          | A    |      | B    |      | CH   |       |         |
|-------------|--------|--------|------|------------|------|------|------|------|------|-------|---------|
|             | dn     | inch   | size |            | mm   | in   | mm   | in   | mm   | in    | in      |
| FJ12I-10-10 | 16     | 5/8"   | 10   | 7/8"-14    | 21,0 | 0,83 | 13,8 | 0,54 | 27,0 | 1,063 | 1.1/16" |
| FJ12I-12-12 | 19     | 3/4"   | 12   | 1.1/16"-12 | 19,5 | 0,77 | 13,8 | 0,54 | 32,0 | 1,260 | 1.1/4"  |
| FJ12I-12-16 | 19     | 3/4"   | 12   | 1.5/16"-12 | 19,5 | 0,77 | 16,0 | 0,63 | 38,0 | 1,496 | 1.1/2"  |
| FJ12I-16-16 | 25     | 1"     | 16   | 1.5/16"-12 | 20,5 | 0,81 | 16,0 | 0,63 | 38,0 | 1,496 | 1.1/2"  |
| FJ12I-16-20 | 25     | 1"     | 16   | 1.5/8"-12  | 27,0 | 1,06 | 16,0 | 0,63 | 50,0 | 1,969 | 2"      |
| FJ12I-20-20 | 31     | 1.1/4" | 20   | 1.5/8"-12  | 25,2 | 0,99 | 16,0 | 0,63 | 50,0 | 1,969 | 2"      |
| FJ12I-24-24 | 38     | 1.1/2" | 24   | 1.7/8"-12  | 28,9 | 1,14 | 18,5 | 0,73 | 55,0 | 2,165 | 2.3/16" |
| FJ12I-32-32 | 51     | 2"     | 32   | 2.1/2"-12  | 33,0 | 1,30 | 24,0 | 0,94 | 75,0 | 2,953 | -       |

# FJ42I

## JIC 37° female swivel - 45° elbow

INTERLOCK

ISO 8434-2 / SAE J514



.....  
FERRULE  
.....  
**FITTING**  
BSP-BSPT  
METRIC  
**JIC**  
ORFS  
NPTF  
SAE 3000 CODE 61  
SAE 6000 CODE 62  
TAPERED SAE  
SUPERCAT STYLE

| code        | ø hose |        |      | T          | A     |      | B    |      | D    |      | CH   |       |         |
|-------------|--------|--------|------|------------|-------|------|------|------|------|------|------|-------|---------|
|             | dn     | inch   | size |            | mm    | in   | mm   | in   | mm   | in   | mm   | in    | ↻ in    |
| FJ42I-10-10 | 16     | 5/8"   | 10   | 7/8"-14    | 59,5  | 2,34 | 13,5 | 0,53 | 25,8 | 1,02 | 27,0 | 1,063 | 1.1/16" |
| FJ42I-12-12 | 19     | 3/4"   | 12   | 1.1/16"-12 | 65,3  | 2,57 | 13,8 | 0,54 | 26,9 | 1,06 | 32,0 | 1,260 | 1.1/4"  |
| FJ42I-16-16 | 25     | 1"     | 16   | 1.5/16"-12 | 81,0  | 3,19 | 16,0 | 0,63 | 32,0 | 1,26 | 38,0 | 1,496 | 1.1/2"  |
| FJ42I-16-20 | 25     | 1"     | 16   | 1.5/8"-12  | 89,2  | 3,51 | 16,0 | 0,63 | 39,2 | 1,54 | 50,0 | 1,969 | 2"      |
| FJ42I-20-20 | 31     | 1.1/4" | 20   | 1.5/8"-12  | 94,7  | 3,73 | 16,0 | 0,63 | 37,5 | 1,48 | 50,0 | 1,969 | 2"      |
| FJ42I-24-24 | 38     | 1.1/2" | 24   | 1.7/8"-12  | 116,5 | 4,59 | 18,5 | 0,73 | 49,2 | 1,94 | 55,0 | 2,165 | 2.3/16" |
| FJ42I-32-32 | 51     | 2"     | 32   | 2.1/2"-12  | 147,6 | 5,81 | 24,0 | 0,94 | 68,8 | 2,71 | 75,0 | 2,953 | -       |

# FJ92I

## JIC 37° female swivel - 90° elbow

INTERLOCK

ISO 8434-2 / SAE J514

FERRULE

**FITTING**

BSP-BSPT

METRIC

**JIC**

ORFS

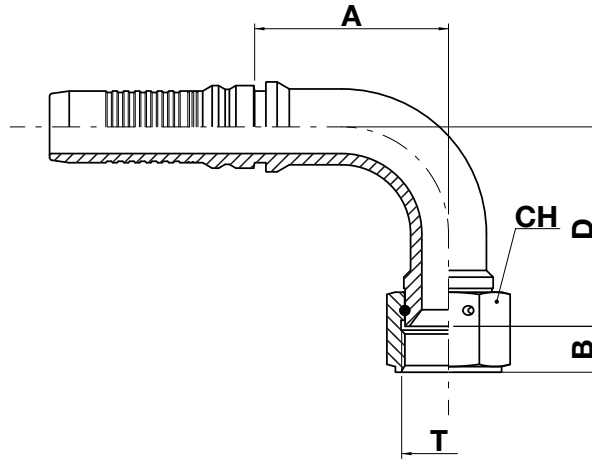
NPTF

SAE 3000 CODE 61

SAE 6000 CODE 62

TAPERED SAE

SUPERCAT STYLE



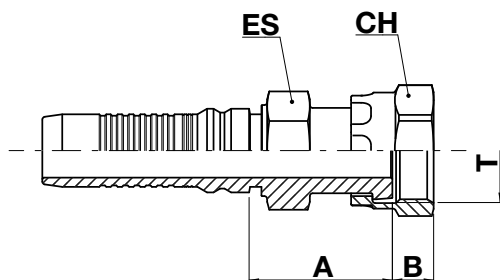
| code        | ø hose |        |      | T          | A     |      | B    |      | D     |      | CH   |       |         |
|-------------|--------|--------|------|------------|-------|------|------|------|-------|------|------|-------|---------|
|             | dn     | inch   | size |            | mm    | in   | mm   | in   | mm    | in   | mm   | in    | ↗ in    |
| FJ92I-10-10 | 16     | 5/8"   | 10   | 7/8"-14    | 53,7  | 2,11 | 13,8 | 0,54 | 53,5  | 2,11 | 27,0 | 1,063 | 1.1/16" |
| FJ92I-12-12 | 19     | 3/4"   | 12   | 1.1/16"-12 | 59,2  | 2,33 | 13,8 | 0,54 | 55,0  | 2,17 | 32,0 | 1,260 | 1.1/4"  |
| FJ92I-12-16 | 19     | 3/4"   | 12   | 1.5/16"-12 | 53,5  | 2,11 | 16,0 | 0,63 | 60,0  | 2,36 | 38,0 | 1,496 | 1.1/2"  |
| FJ92I-16-16 | 25     | 1"     | 16   | 1.5/16"-12 | 69,0  | 2,72 | 16,0 | 0,63 | 71,0  | 2,80 | 38,0 | 1,496 | 1.1/2"  |
| FJ92I-20-20 | 31     | 1.1/4" | 20   | 1.5/8"-12  | 83,2  | 3,27 | 16,0 | 0,63 | 77,0  | 3,03 | 50,0 | 1,969 | 2"      |
| FJ92I-24-24 | 38     | 1.1/2" | 24   | 1.7/8"-12  | 102,0 | 4,02 | 18,5 | 0,73 | 100,0 | 3,94 | 55,0 | 2,165 | 2.3/16" |
| FJ92I-32-32 | 51     | 2"     | 32   | 2.1/2"-12  | 122,0 | 4,80 | 24,0 | 0,94 | 140,0 | 5,51 | 75,0 | 2,953 | -       |

# OR13I OR12I

## ORFS female swivel

INTERLOCK

ISO 8434-3 / SAE J1453



.....  
FERRULE

.....  
**FITTING**

BSP-BSPT

METRIC

JIC

**ORFS**

NPTF

SAE 3000 CODE 61

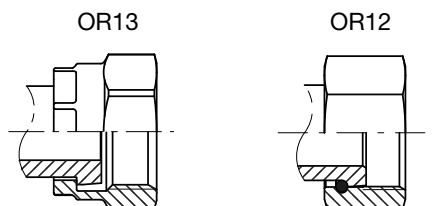
SAE 6000 CODE 62

TAPERED SAE

SUPERCAT STYLE

| code        | ø hose |        |      | T           | A    |      | B    |      | ES   |       |         | CH   |       |         |
|-------------|--------|--------|------|-------------|------|------|------|------|------|-------|---------|------|-------|---------|
|             | dn     | inch   | size |             | mm   | in   | mm   | in   | mm   | in    | ↗ in    | mm   | in    | ↗ in    |
| OR13I-12-12 | 19     | 3/4"   | 12   | 1.3/16"-12  | 42,0 | 1,65 | 14,5 | 0,57 | 30,0 | 1,180 | 1.3/16" | 36,0 | 1,417 | 1.7/16" |
| OR13I-16-16 | 25     | 1"     | 16   | 1.7/16"-12  | 50,0 | 1,97 | 14,8 | 0,58 | 36,0 | 1,420 | 1.7/16" | 41,0 | 1,614 | 1.5/8"  |
| OR12I-16-20 | 25     | 1"     | 16   | 1.11/16"-12 | 52,0 | 2,05 | 14,8 | 0,58 | 41,0 | 1,610 | 1.5/8"  | 50,0 | 1,969 | 2"      |
| OR12I-20-20 | 31     | 1.1/4" | 20   | 1.11/16"-12 | 51,2 | 2,02 | 14,8 | 0,58 | 41,0 | 1,610 | 1.5/8"  | 50,0 | 1,969 | 2"      |
| OR12I-20-24 | 31     | 1.1/4" | 20   | 2"-12       | 57,4 | 2,26 | 14,8 | 0,58 | 50,0 | 1,970 | 2"      | 60,0 | 2,362 | 2.3/8"  |
| OR12I-24-24 | 38     | 1.1/2" | 24   | 2"-12       | 58,7 | 2,31 | 14,8 | 0,58 | 50,0 | 1,969 | 2"      | 60,0 | 2,362 | 2.3/8"  |

### Nut type



# OR44I OR42I

## ORFS female swivel - 45° elbow

INTERLOCK

ISO 8434-3 / SAE J1453

FERRULE

### FITTING

BSP-BSPT

METRIC

JIC

**ORFS**

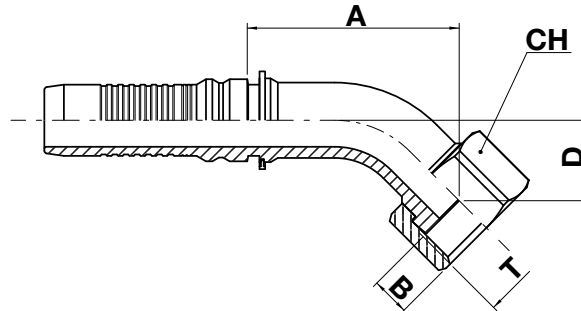
NPTF

SAE 3000 CODE 61

SAE 6000 CODE 62

TAPERED SAE

SUPERCAT STYLE

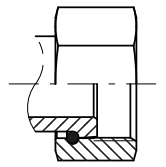
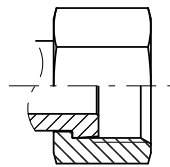


| code        | ø hose |        |      | T           | A    |      | B    |      | D    |      | CH   |       |         |
|-------------|--------|--------|------|-------------|------|------|------|------|------|------|------|-------|---------|
|             | dn     | inch   | size |             | mm   | in   | mm   | in   | mm   | in   | mm   | in    | ↻ in    |
| OR44I-12-12 | 19     | 3/4"   | 12   | 1.3/16"-12  | 57,4 | 2,26 | 14,5 | 0,57 | 21,9 | 0,86 | 36,0 | 1,417 | 1.7/16" |
| OR44I-16-16 | 25     | 1"     | 16   | 1.7/16"-12  | 75,5 | 2,97 | 14,8 | 0,58 | 29,0 | 1,14 | 41,0 | 1,614 | 1.5/8"  |
| OR42I-16-20 | 25     | 1"     | 16   | 1.11/16"-12 | 85,6 | 3,37 | 14,8 | 0,58 | 38,7 | 1,52 | 50,0 | 1,969 | 2"      |
| OR42I-20-20 | 31     | 1.1/4" | 20   | 1.11/16"-12 | 95,1 | 3,74 | 14,8 | 0,58 | 37,5 | 1,48 | 50,0 | 1,969 | 2"      |

### Nut type

OR44

OR42



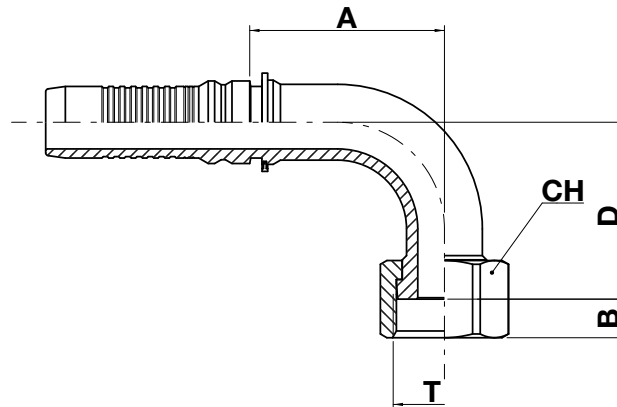


# OR94I OR92I

## ORFS female swivel - 90° elbow

INTERLOCK

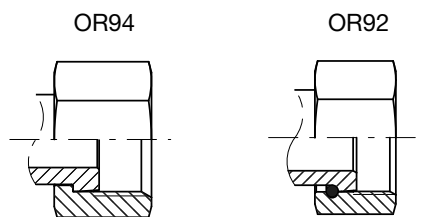
ISO 8434-3 / SAE J1453



.....  
FERRULE  
.....  
**FITTING**  
BSP-BSPT  
METRIC  
JIC  
**ORFS**  
NPTF  
SAE 3000 CODE 61  
SAE 6000 CODE 62  
TAPERED SAE  
SUPERCAT STYLE

| code        | ø hose |        |      | T           | A    |      | B    |      | D    |      | CH   |       |         |
|-------------|--------|--------|------|-------------|------|------|------|------|------|------|------|-------|---------|
|             | dn     | inch   | size |             | mm   | in   | mm   | in   | mm   | in   | mm   | in    | ↻ in    |
| OR94I-12-12 | 19     | 3/4"   | 12   | 1.3/16"-12  | 54,5 | 2,15 | 14,5 | 0,57 | 48,0 | 1,89 | 36,0 | 1,417 | 1.7/16" |
| OR94I-16-16 | 25     | 1"     | 16   | 1.7/16"-12  | 69,0 | 2,72 | 14,8 | 0,58 | 63,0 | 2,48 | 41,0 | 1,614 | 1.5/8"  |
| OR92I-16-20 | 25     | 1"     | 16   | 1.11/16"-12 | 69,0 | 2,72 | 14,8 | 0,58 | 77,0 | 3,03 | 50,0 | 1,969 | 2"      |
| OR92I-20-20 | 31     | 1.1/4" | 20   | 1.11/16"-12 | 83,6 | 3,29 | 14,8 | 0,58 | 77,0 | 3,03 | 50,0 | 1,969 | 2"      |

### Nut type



# MN10I

**NPTF male (60° cone seat)**

INTERLOCK

SAE J514

FERRULE

**FITTING**

BSP-BSPT

METRIC

JIC

ORFS

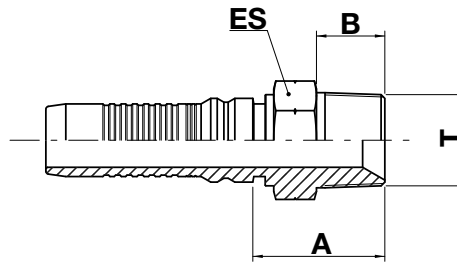
**NPTF**

SAE 3000 CODE 61

SAE 6000 CODE 62

TAPERED SAE

SUPERCAT STYLE



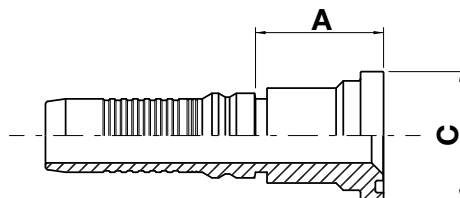
| code        | ø hose |        |      | T             | A    |      | B    |      | ES   |       |          |
|-------------|--------|--------|------|---------------|------|------|------|------|------|-------|----------|
|             | dn     | inch   | size |               | mm   | in   | mm   | in   | mm   | in    | in       |
| MN10I-12-12 | 19     | 3/4"   | 12   | 3/4"-14       | 40,0 | 1,57 | 19,0 | 0,75 | 30,0 | 1,181 | 1.3/16"  |
| MN10I-16-16 | 25     | 1"     | 16   | 1"-11.1/2     | 46,0 | 1,81 | 24,0 | 0,94 | 36,0 | 1,417 | 1.7/16"  |
| MN10I-20-20 | 31     | 1.1/4" | 20   | 1 1/4"-11.1/2 | 60,2 | 2,37 | 24,5 | 0,96 | 46,0 | 1,811 | 1.13/16" |
| MN10I-24-24 | 38     | 1.1/2" | 24   | 1 1/2"-11.1/2 | 61,5 | 2,42 | 25,5 | 1,00 | 50,0 | 1,969 | 2"       |
| MN10I-32-32 | 51     | 2"     | 32   | 2"-11.1/2     | 76,0 | 2,99 | 26,0 | 1,02 | 65,0 | 2,559 | 2.9/16"  |

# AX10I

## SAE 3000 code 61 straight flange

INTERLOCK

ISO 6162-1 / SAE J518-1



.....  
FERRULE  
.....  
**FITTING**  
BSP-BSPT  
METRIC  
JIC  
ORFS  
NPTF  
**SAE 3000 CODE 61**  
SAE 6000 CODE 62  
TAPERED SAE  
SUPERCAT STYLE

| code        | ø hose |        |      | flange | A    |      | C    |      |
|-------------|--------|--------|------|--------|------|------|------|------|
|             | dn     | inch   | size |        | mm   | in   | mm   | in   |
| AX10I-12-12 | 19     | 3/4"   | 12   | 3/4"   | 37,0 | 1,46 | 38,1 | 1,50 |
| AX10I-12-16 | 19     | 3/4"   | 12   | 1"     | 43,5 | 1,71 | 44,5 | 1,75 |
| AX10I-16-12 | 25     | 1"     | 16   | 3/4"   | 47,0 | 1,85 | 38,1 | 1,50 |
| AX10I-16-16 | 25     | 1"     | 16   | 1"     | 44,5 | 1,75 | 44,5 | 1,75 |
| AX10I-16-20 | 25     | 1"     | 16   | 1.1/4" | 44,0 | 1,73 | 50,8 | 2,00 |
| AX10I-20-16 | 31     | 1.1/4" | 20   | 1"     | 59,2 | 2,33 | 44,5 | 1,75 |
| AX10I-20-20 | 31     | 1.1/4" | 20   | 1.1/4" | 46,7 | 1,84 | 50,8 | 2,00 |
| AX10I-20-24 | 31     | 1.1/4" | 20   | 1.1/2" | 50,2 | 1,98 | 60,3 | 2,37 |
| AX10I-24-24 | 38     | 1.1/2" | 24   | 1.1/2" | 50,5 | 1,99 | 60,3 | 2,37 |
| AX10I-24-32 | 38     | 1.1/2" | 24   | 2"     | 72,0 | 2,83 | 71,4 | 2,81 |
| AX10I-32-32 | 51     | 2"     | 32   | 2"     | 73,5 | 2,89 | 71,4 | 2,81 |

# AX30I

SAE 3000 code 61 - 30° elbow flange

INTERLOCK

ISO 6162-1 / SAE J518-1

FERRULE

**FITTING**

BSP-BSPT

METRIC

JIC

ORFS

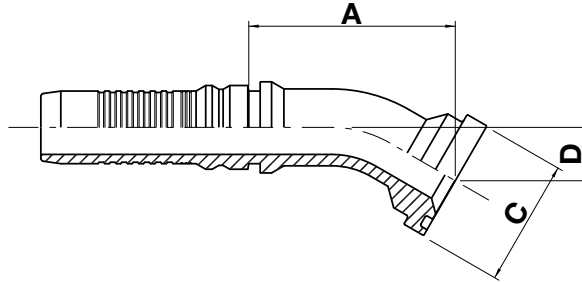
NPTF

**SAE 3000 CODE 61**

SAE 6000 CODE 62

TAPERED SAE

SUPERCAT STYLE

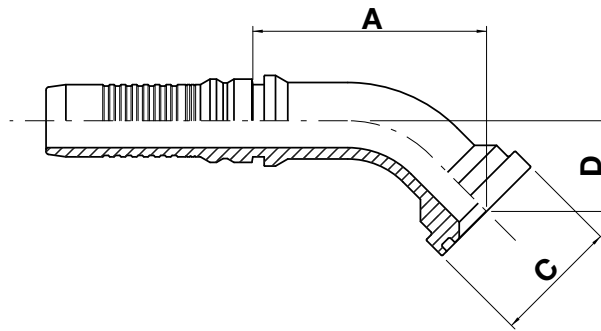


| code        | ø hose |        |      | T      | A     |      | C    |      | D    |      |
|-------------|--------|--------|------|--------|-------|------|------|------|------|------|
|             | dn     | inch   | size |        | mm    | in   | mm   | in   | mm   | in   |
| AX30I-16-16 | 25     | 1"     | 16   | 1"     | 78,9  | 3,10 | 44,5 | 1,75 | 19,6 | 0,77 |
| AX30I-20-20 | 31     | 1.1/4" | 20   | 1.1/4" | 83,7  | 3,30 | 50,8 | 2,00 | 19,0 | 0,75 |
| AX30I-20-24 | 31     | 1.1/4" | 20   | 1.1/2" | 85,3  | 3,36 | 60,3 | 2,37 | 19,0 | 0,75 |
| AX30I-24-24 | 38     | 1.1/2" | 24   | 1.1/2" | 116,0 | 4,57 | 60,3 | 2,37 | 28,3 | 1,11 |
| AX30I-24-32 | 38     | 1.1/2" | 24   | 2"     | 121,5 | 4,78 | 71,4 | 2,81 | 28,9 | 1,14 |
| AX30I-32-32 | 51     | 2"     | 32   | 2"     | 135,1 | 5,32 | 71,4 | 2,81 | 32,3 | 1,27 |

# AX40I

**SAE 3000 code 61 - 45° elbow flange****INTERLOCK**

ISO 6162-1 / SAE J518-1



.....  
FERRULE  
.....  
**FITTING**  
BSP-BSPT  
METRIC  
JIC  
ORFS  
NPTF  
**SAE 3000 CODE 61**  
SAE 6000 CODE 62  
TAPERED SAE  
SUPERCAT STYLE

| code        | ø hose |        |      | T      | A     |      | C    |      | D    |      |
|-------------|--------|--------|------|--------|-------|------|------|------|------|------|
|             | dn     | inch   | size |        | mm    | in   | mm   | in   | mm   | in   |
| AX40I-12-12 | 19     | 3/4"   | 12   | 3/4"   | 64,0  | 2,52 | 38,1 | 1,50 | 27,9 | 1,10 |
| AX40I-12-16 | 19     | 3/4"   | 12   | 1"     | 68,0  | 2,68 | 44,5 | 1,75 | 29,0 | 1,14 |
| AX40I-16-16 | 25     | 1"     | 16   | 1"     | 82,8  | 3,26 | 44,5 | 1,75 | 32,0 | 1,26 |
| AX40I-16-20 | 25     | 1"     | 16   | 1.1/4" | 83,0  | 3,27 | 50,8 | 2,00 | 33,2 | 1,31 |
| AX40I-20-20 | 31     | 1.1/4" | 20   | 1.1/4" | 87,9  | 3,46 | 50,8 | 2,00 | 31,1 | 1,22 |
| AX40I-20-24 | 31     | 1.1/4" | 20   | 1.1/2" | 87,1  | 3,43 | 60,3 | 2,37 | 31,1 | 1,22 |
| AX40I-24-24 | 38     | 1.1/2" | 24   | 1.1/2" | 123,0 | 4,84 | 60,3 | 2,37 | 46,5 | 1,83 |
| AX40I-24-32 | 38     | 1.1/2" | 24   | 2"     | 128,0 | 5,04 | 71,4 | 2,81 | 47,4 | 1,87 |
| AX40I-32-32 | 51     | 2"     | 32   | 2"     | 140,0 | 5,51 | 71,4 | 2,81 | 53,2 | 2,09 |

# AX60I

SAE 3000 code 61 - 60° elbow flange

INTERLOCK

ISO 6162-1 / SAE J518-1

FERRULE

**FITTING**

BSP-BSPT

METRIC

JIC

ORFS

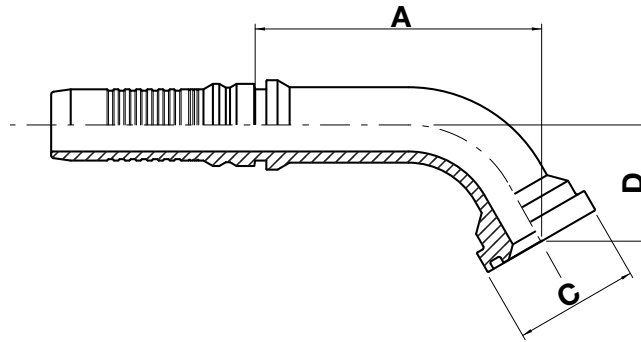
NPTF

**SAE 3000 CODE 61**

SAE 6000 CODE 62

TAPERED SAE

SUPERCAT STYLE



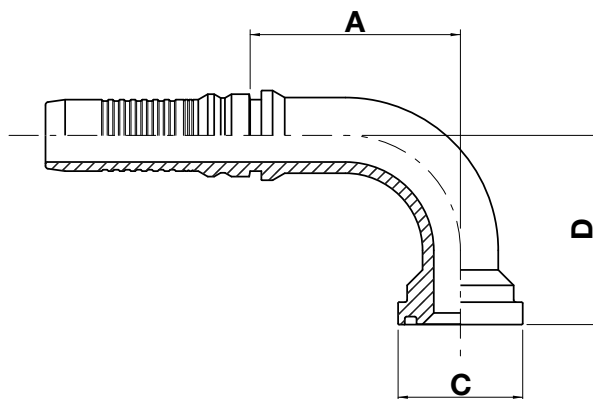
| code        | ø hose |        |      | T      | A     |      | C    |      | D    |      |
|-------------|--------|--------|------|--------|-------|------|------|------|------|------|
|             | dn     | inch   | size |        | mm    | in   | mm   | in   | mm   | in   |
| AX60I-16-16 | 25     | 1"     | 16   | 1"     | 102,5 | 4,04 | 44,5 | 1,75 | 41,6 | 1,64 |
| AX60I-20-20 | 31     | 1.1/4" | 20   | 1.1/4" | 93,7  | 3,69 | 50,8 | 2,00 | 43,9 | 1,73 |
| AX60I-20-24 | 31     | 1.1/4" | 20   | 1.1/2" | 93,1  | 3,67 | 60,3 | 2,37 | 44,0 | 1,73 |
| AX60I-24-24 | 38     | 1.1/2" | 24   | 1.1/2" | 149,9 | 5,90 | 60,3 | 2,37 | 66,1 | 2,60 |
| AX60I-32-32 | 51     | 2"     | 32   | 2"     | 198,5 | 7,81 | 71,4 | 2,81 | 76,3 | 3,00 |

# AX90I

## SAE 3000 code 61 - 90° elbow flange

INTERLOCK

ISO 6162-1 / SAE J518-1



.....  
FERRULE  
.....  
**FITTING**  
BSP-BSPT  
METRIC  
JIC  
ORFS  
NPTF  
**SAE 3000 CODE 61**  
SAE 6000 CODE 62  
TAPERED SAE  
SUPERCAT STYLE

| code        | ø hose |        |      | T      | A     |      | C    |      | D     |      |
|-------------|--------|--------|------|--------|-------|------|------|------|-------|------|
|             | dn     | inch   | size |        | mm    | in   | mm   | in   | mm    | in   |
| AX90I-12-12 | 19     | 3/4"   | 12   | 3/4"   | 53,0  | 2,09 | 38,1 | 1,50 | 56,5  | 2,22 |
| AX90I-12-16 | 19     | 3/4"   | 12   | 1"     | 53,0  | 2,09 | 44,5 | 1,75 | 58,0  | 2,28 |
| AX90I-16-16 | 25     | 1"     | 16   | 1"     | 75,0  | 2,95 | 44,5 | 1,75 | 67,5  | 2,66 |
| AX90I-16-20 | 25     | 1"     | 16   | 1.1/4" | 76,0  | 2,99 | 50,8 | 2,00 | 71,0  | 2,80 |
| AX90I-20-16 | 31     | 1.1/4" | 20   | 1"     | 99,2  | 3,91 | 44,5 | 1,75 | 93,0  | 3,66 |
| AX90I-20-20 | 31     | 1.1/4" | 20   | 1.1/4" | 83,7  | 3,30 | 50,8 | 2,00 | 69,2  | 2,72 |
| AX90I-20-24 | 31     | 1.1/4" | 20   | 1.1/2" | 82,7  | 3,26 | 60,3 | 2,37 | 69,2  | 2,72 |
| AX90I-24-24 | 38     | 1.1/2" | 24   | 1.1/2" | 109,5 | 4,31 | 60,3 | 2,37 | 103,0 | 4,06 |
| AX90I-24-32 | 38     | 1.1/2" | 24   | 2"     | 109,5 | 4,31 | 71,4 | 2,81 | 104,0 | 4,09 |
| AX90I-32-32 | 51     | 2"     | 32   | 2"     | 145,0 | 5,71 | 71,4 | 2,81 | 123,0 | 4,84 |

# AY10I

## SAE 6000 code 62 straight flange

INTERLOCK

ISO 6162-2 / SAE J518-2

FERRULE

**FITTING**

BSP-BSPT

METRIC

JIC

ORFS

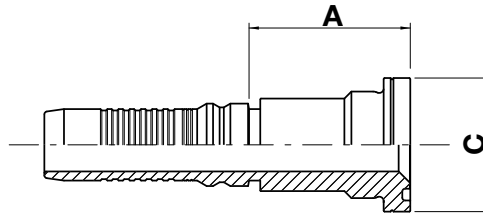
NPTF

SAE 3000 CODE 61

**SAE 6000 CODE 62**

TAPERED SAE

SUPERCAT STYLE



| code        | ø hose |        |      | flange | A     |      | C     |      |
|-------------|--------|--------|------|--------|-------|------|-------|------|
|             | dn     | inch   | size |        | mm    | in   | mm    | in   |
| AY10I-10-08 | 16     | 5/8"   | 10   | 1/2"   | 36,0  | 1,42 | 31,8  | 1,25 |
| AY10I-10-12 | 16     | 5/8"   | 10   | 3/4"   | 41,0  | 1,61 | 41,3  | 1,63 |
| AY10I-12-12 | 19     | 3/4"   | 12   | 3/4"   | 41,0  | 1,61 | 41,3  | 1,63 |
| AY10I-12-16 | 19     | 3/4"   | 12   | 1"     | 56,5  | 2,22 | 47,6  | 1,87 |
| AY10I-16-12 | 25     | 1"     | 16   | 3/4"   | 53,0  | 2,09 | 41,3  | 1,63 |
| AY10I-16-16 | 25     | 1"     | 16   | 1"     | 57,5  | 2,26 | 47,6  | 1,87 |
| AY10I-16-20 | 25     | 1"     | 16   | 1.1/4" | 64,5  | 2,54 | 54,0  | 2,13 |
| AY10I-20-16 | 31     | 1.1/4" | 20   | 1"     | 64,2  | 2,53 | 47,6  | 1,87 |
| AY10I-20-20 | 31     | 1.1/4" | 20   | 1.1/4" | 67,2  | 2,65 | 54,0  | 2,13 |
| AY10I-20-24 | 31     | 1.1/4" | 20   | 1.1/2" | 73,2  | 2,88 | 63,5  | 2,50 |
| AY10I-24-20 | 38     | 1.1/2" | 24   | 1.1/4" | 67,5  | 2,66 | 54,0  | 2,13 |
| AY10I-24-24 | 38     | 1.1/2" | 24   | 1.1/2" | 73,0  | 2,87 | 63,5  | 2,50 |
| AY10I-24-32 | 38     | 1.1/2" | 24   | 2"     | 83,0  | 3,27 | 79,4  | 3,13 |
| AY10I-32-24 | 51     | 2"     | 32   | 1.1/2" | 82,3  | 3,24 | 63,5  | 2,50 |
| AY10I-32-32 | 51     | 2"     | 32   | 2"     | 83,5  | 3,29 | 79,4  | 3,13 |
| AY10I-32-40 | 51     | 2"     | 32   | 2.1/2" | 119,0 | 4,69 | 107,7 | 4,24 |
| AY10I-40-40 | 63     | 2.1/2" | 40   | 2.1/2" | 136,5 | 5,37 | 107,7 | 4,24 |
| AY10I-48-48 | 76     | 3"     | 48   | 3"     | 219,5 | 8,64 | 131,7 | 5,18 |

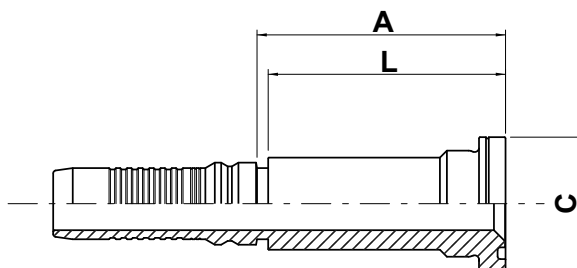


# AY10I-L

SAE 6000 code 62 straight flange (long reach version)

INTERLOCK

ISO 6162-2 / SAE J518-2



.....  
FERRULE  
.....  
**FITTING**  
BSP-BSPT  
METRIC  
JIC  
ORFS  
NPTF  
SAE 3000 CODE 61  
**SAE 6000 CODE 62**  
TAPERED SAE  
SUPERCAT STYLE

| code            | ø hose |        |      | flange | A     |      | C    |      | L     |      |
|-----------------|--------|--------|------|--------|-------|------|------|------|-------|------|
|                 | dn     | inch   | size |        | mm    | in   | mm   | in   | mm    | in   |
| AY10I-16-16-85  | 25     | 1"     | 16   | 1"     | 89,0  | 3,50 | 47,6 | 1,88 | 85,0  | 3,35 |
| AY10I-16-20-90  | 25     | 1"     | 16   | 1.1/4" | 94,0  | 3,70 | 54,0 | 2,13 | 90,0  | 3,54 |
| AY10I-20-20-90  | 31     | 1.1/4" | 20   | 1.1/4" | 95,2  | 3,75 | 54,0 | 2,13 | 90,0  | 3,54 |
| AY10I-24-24-100 | 38     | 1.1/2" | 24   | 1.1/2" | 105,5 | 4,15 | 63,5 | 2,50 | 100,0 | 3,94 |
| AY10I-32-32-120 | 51     | 2"     | 32   | 2"     | 127,0 | 5,00 | 79,4 | 3,13 | 120,0 | 4,72 |

# AY30I

## SAE 6000 code 62 - 30° elbow flange

INTERLOCK

ISO 6162-2 / SAE J518-2

FERRULE

### FITTING

BSP-BSPT

METRIC

JIC

ORFS

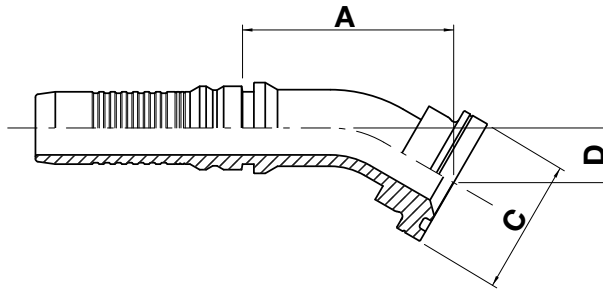
NPTF

SAE 3000 CODE 61

**SAE 6000 CODE 62**

TAPERED SAE

SUPERCAT STYLE

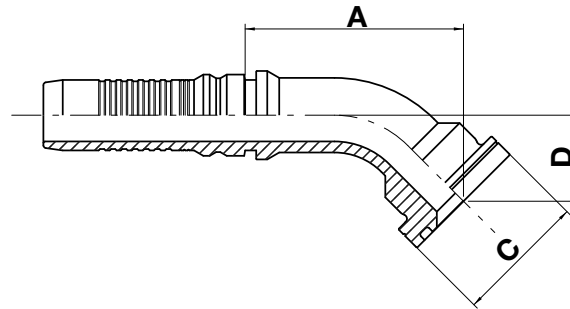


| code        | ø hose |        |      | flange | A     |      | C    |      | D    |      |
|-------------|--------|--------|------|--------|-------|------|------|------|------|------|
|             | dn     | inch   | size |        | mm    | in   | mm   | in   | mm   | in   |
| AY30I-16-16 | 25     | 1"     | 16   | 1"     | 78,9  | 3,11 | 44,5 | 1,75 | 19,6 | 0,77 |
| AY30I-16-20 | 25     | 1"     | 16   | 1.1/4" | 92,5  | 3,64 | 54,0 | 2,13 | 25,2 | 0,99 |
| AY30I-20-20 | 25     | 1"     | 16   | 1"     | 107,0 | 4,21 | 54,0 | 2,13 | 26,8 | 1,06 |
| AY30I-24-24 | 38     | 1.1/2" | 24   | 1.1/2" | 116,0 | 4,57 | 63,5 | 2,50 | 28,9 | 1,14 |

# AY40I

**SAE 6000 code 62 - 45° elbow flange****INTERLOCK**

ISO 6162-2 / SAE J518-2



.....  
FERRULE  
.....  
**FITTING**  
BSP-BSPT  
METRIC  
JIC  
ORFS  
NPTF  
SAE 3000 CODE 61  
**SAE 6000 CODE 62**  
TAPERED SAE  
SUPERCAT STYLE

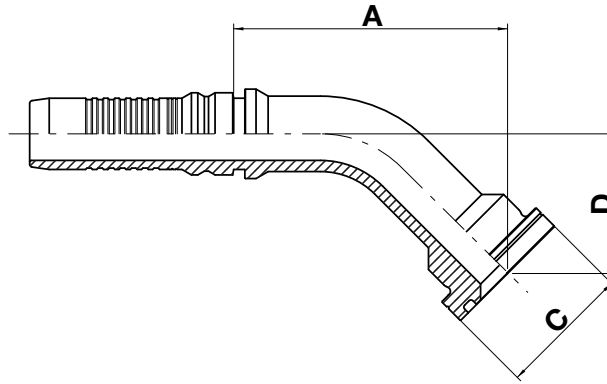
| code        | ø hose |        |      | flange | A     |      | C     |      | D     |      |
|-------------|--------|--------|------|--------|-------|------|-------|------|-------|------|
|             | dn     | inch   | size |        | mm    | in   | mm    | in   | mm    | in   |
| AY40I-10-12 | 16     | 5/8"   | 10   | 3/4"   | 72,5  | 2,85 | 41,3  | 1,60 | 29,0  | 1,14 |
| AY40I-12-12 | 19     | 3/4"   | 12   | 3/4"   | 63,7  | 2,51 | 41,3  | 1,60 | 27,9  | 1,10 |
| AY40I-12-16 | 19     | 3/4"   | 12   | 1"     | 72,0  | 2,83 | 47,6  | 1,88 | 33,9  | 1,33 |
| AY40I-16-12 | 25     | 1"     | 16   | 3/4"   | 78,9  | 3,11 | 41,3  | 1,60 | 31,8  | 1,25 |
| AY40I-16-16 | 25     | 1"     | 16   | 1"     | 79,0  | 3,11 | 47,6  | 1,90 | 31,1  | 1,22 |
| AY40I-16-20 | 25     | 1"     | 16   | 1.1/4" | 93,0  | 3,66 | 54,0  | 2,13 | 39,9  | 1,57 |
| AY40I-20-16 | 31     | 1.1/4" | 20   | 1"     | 110,8 | 4,36 | 47,6  | 1,90 | 38,1  | 1,50 |
| AY40I-20-20 | 25     | 1"     | 16   | 1"     | 111,7 | 4,40 | 54,0  | 2,10 | 43,5  | 1,71 |
| AY40I-20-24 | 31     | 1.1/4" | 20   | 1.1/2" | 116,6 | 4,59 | 63,5  | 2,50 | 47,3  | 1,86 |
| AY40I-24-20 | 38     | 1.1/2" | 24   | 1.1/4" | 129,5 | 5,10 | 54,0  | 2,13 | 53,8  | 2,12 |
| AY40I-24-24 | 38     | 1.1/2" | 24   | 1.1/2" | 122,0 | 4,80 | 63,5  | 2,50 | 47,4  | 1,87 |
| AY40I-24-32 | 38     | 1.1/2" | 24   | 2"     | 131,3 | 5,17 | 79,4  | 3,10 | 57,7  | 2,27 |
| AY40I-32-24 | 51     | 2"     | 32   | 1.1/2" | 148,0 | 5,82 | 63,5  | 2,50 | 47,4  | 1,87 |
| AY40I-32-32 | 51     | 2"     | 32   | 2"     | 164,6 | 6,48 | 79,4  | 3,13 | 63,9  | 2,52 |
| AY40I-32-40 | 51     | 2"     | 32   | 2.1/2" | 174,4 | 6,87 | 107,7 | 4,24 | 75,9  | 2,99 |
| AY40I-40-40 | 63     | 2.1/2" | 40   | 2.1/2" | 265,5 | 10,4 | 107,7 | 4,24 | 113,5 | 4,46 |

# AY40I-L

SAE 6000 code 62 - 45° elbow flange (long drop)

INTERLOCK

ISO 6162-2 / SAE J518-2



FERRULE

**FITTING**

- BSP-BSPT
- METRIC
- JIC
- ORFS
- NPTF
- SAE 3000 CODE 61
- SAE 6000 CODE 62**
- TAPERED SAE
- SUPERCAT STYLE

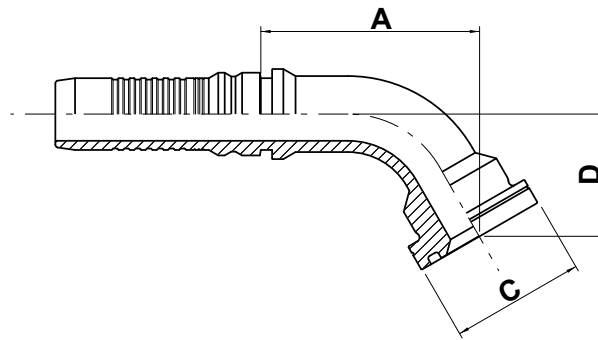
| code            | ø hose |        |      | flange | A     |      | C    |      | D     |      |
|-----------------|--------|--------|------|--------|-------|------|------|------|-------|------|
|                 | dn     | inch   | size |        | mm    | in   | mm   | in   | mm    | in   |
| AY40I-12-12-45  | 19     | 3/4"   | 12   | 3/4"   | 82,3  | 3,24 | 41,3 | 1,63 | 45,0  | 1,77 |
| AY40I-12-16-45  | 19     | 3/4"   | 12   | 1"     | 83,2  | 3,28 | 47,6 | 1,87 | 45,0  | 1,77 |
| AY40I-16-16-50  | 25     | 1"     | 16   | 1"     | 98,0  | 3,86 | 47,6 | 1,87 | 50,0  | 1,97 |
| AY40I-16-16-100 | 25     | 1"     | 16   | 1"     | 149,3 | 5,88 | 47,6 | 1,87 | 100,0 | 3,94 |
| AY40I-16-20-105 | 25     | 1"     | 16   | 1.1/4" | 155,0 | 6,10 | 54,0 | 2,13 | 105,0 | 4,13 |
| AY40I-20-20-130 | 31     | 1.1/4" | 20   | 1.1/4" | 195,0 | 7,68 | 54,0 | 2,13 | 130,0 | 5,12 |

# AY60I

SAE 6000 code 62 - 60° elbow flange

INTERLOCK

ISO 6162-2 / SAE J518-2



.....  
FERRULE  
.....  
**FITTING**  
BSP-BSPT  
METRIC  
JIC  
ORFS  
NPTF  
SAE 3000 CODE 61  
**SAE 6000 CODE 62**  
TAPERED SAE  
SUPERCAT STYLE

| code        | ø hose |        |      | flange | A     |      | C    |      | D    |      |
|-------------|--------|--------|------|--------|-------|------|------|------|------|------|
|             | dn     | inch   | size |        | mm    | in   | mm   | in   | mm   | in   |
| AY60I-16-16 | 25     | 1"     | 16   | 1"     | 79,0  | 3,11 | 47,6 | 1,87 | 43,4 | 1,71 |
| AY60I-20-20 | 31     | 1.1/4" | 20   | 1.1/4" | 107,7 | 4,24 | 54,0 | 2,13 | 55,1 | 2,17 |
| AY60I-24-24 | 38     | 1.1/2" | 24   | 1.1/2" | 136,0 | 5,35 | 63,5 | 2,50 | 67,0 | 2,64 |
| AY60I-32-32 | 51     | 2"     | 32   | 2"     | 166,1 | 6,54 | 79,4 | 3,13 | 90,0 | 3,54 |

# AY90I

## SAE 6000 code 62 - 90° elbow flange

INTERLOCK

ISO 6162-2 / SAE J518-2

FERRULE

**FITTING**

BSP-BSPT

METRIC

JIC

ORFS

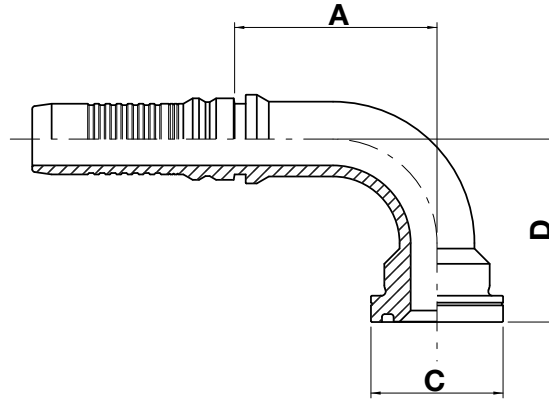
NPTF

SAE 3000 CODE 61

**SAE 6000 CODE 62**

TAPERED SAE

SUPERCAT STYLE

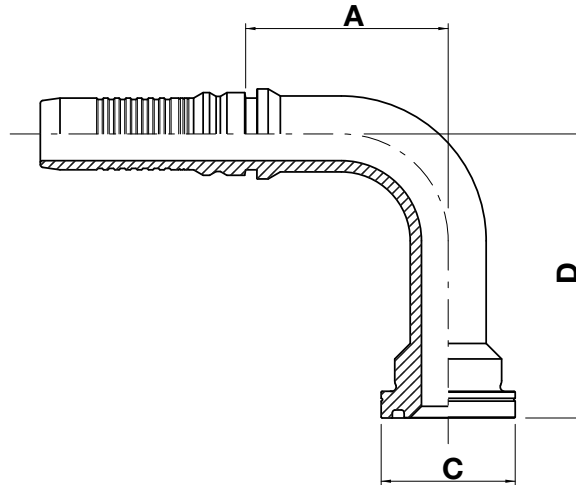


| code        | ø hose |        |      | flange | A     |       | C     |      | D     |      |
|-------------|--------|--------|------|--------|-------|-------|-------|------|-------|------|
|             | dn     | inch   | size |        | mm    | in    | mm    | in   | mm    | in   |
| AY90I-10-12 | 16     | 5/8"   | 10   | 3/4"   | 51,5  | 2,03  | 41,3  | 1,63 | 58,0  | 2,28 |
| AY90I-12-12 | 19     | 3/4"   | 12   | 3/4"   | 53,0  | 2,09  | 41,3  | 1,63 | 56,5  | 2,22 |
| AY90I-12-16 | 19     | 3/4"   | 12   | 1"     | 53,0  | 2,09  | 47,6  | 1,88 | 65,0  | 2,56 |
| AY90I-16-12 | 25     | 1"     | 16   | 3/4"   | 77,0  | 3,03  | 41,3  | 1,63 | 69,0  | 2,72 |
| AY90I-16-16 | 25     | 1"     | 16   | 1"     | 73,0  | 2,87  | 47,6  | 1,88 | 66,0  | 2,60 |
| AY90I-16-20 | 25     | 1"     | 16   | 1.1/4" | 75,0  | 2,95  | 54,0  | 2,13 | 80,5  | 3,17 |
| AY90I-16-24 | 25     | 1"     | 16   | 1.1/2" | 76,0  | 2,99  | 63,5  | 2,50 | 89,0  | 3,50 |
| AY90I-20-16 | 31     | 1.1/4" | 20   | 1"     | 91,7  | 3,61  | 47,6  | 1,87 | 85,0  | 3,35 |
| AY90I-20-20 | 31     | 1.1/4" | 20   | 1.1/4" | 97,2  | 3,83  | 54,0  | 2,13 | 86,0  | 3,39 |
| AY90I-20-24 | 31     | 1.1/4" | 20   | 1.1/2" | 100,3 | 3,95  | 63,5  | 2,50 | 98,0  | 3,86 |
| AY90I-24-20 | 38     | 1.1/2" | 24   | 1.1/4" | 116,5 | 4,59  | 54,0  | 2,13 | 113,0 | 4,45 |
| AY90I-24-24 | 38     | 1.1/2" | 24   | 1.1/2" | 108,0 | 4,25  | 63,5  | 2,50 | 104,0 | 4,09 |
| AY90I-24-32 | 38     | 1.1/2" | 24   | 2"     | 107,5 | 4,23  | 79,4  | 3,13 | 119,5 | 4,70 |
| AY90I-32-24 | 51     | 2"     | 32   | 1.1/2" | 117,0 | 4,61  | 63,5  | 2,50 | 104,0 | 4,09 |
| AY90I-32-32 | 51     | 2"     | 32   | 2"     | 145,0 | 5,71  | 79,4  | 3,13 | 134,0 | 5,28 |
| AY90I-40-40 | 63     | 2.1/2" | 40   | 2.1/2" | 225,5 | 8,87  | 107,7 | 4,24 | 225,0 | 8,85 |
| AY90I-48-48 | 76     | 3"     | 48   | 3"     | 276,0 | 10,87 | 131,7 | 5,18 | 250,0 | 9,84 |

# AY90I-L

**SAE 6000 code 62 - 90° elbow flange (long drop)****INTERLOCK**

ISO 6162-2 / SAE J518-2



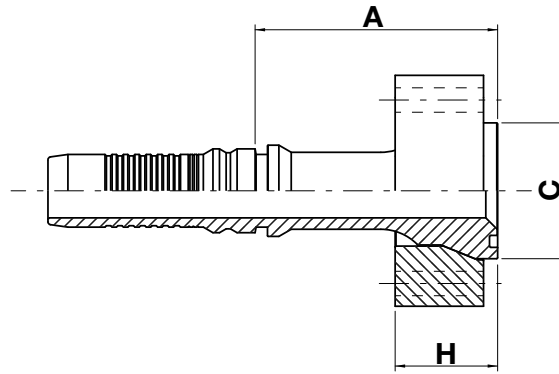
.....  
FERRULE  
.....  
**FITTING**  
BSP-BSPT  
METRIC  
JIC  
ORFS  
NPTF  
SAE 3000 CODE 61  
**SAE 6000 CODE 62**  
TAPERED SAE  
SUPERCAT STYLE

| code            | ø hose |        |      | flange | A     |      | C    |      | D     |      |
|-----------------|--------|--------|------|--------|-------|------|------|------|-------|------|
|                 | dn     | inch   | size |        | mm    | in   | mm   | in   | mm    | in   |
| AY90I-12-12-80  | 19     | 3/4"   | 12   | 3/4"   | 62,5  | 2,46 | 41,3 | 1,63 | 80,0  | 3,15 |
| AY90I-12-12-100 | 19     | 3/4"   | 12   | 3/4"   | 60,0  | 2,36 | 41,3 | 1,63 | 100,0 | 3,94 |
| AY90I-12-12-150 | 19     | 3/4"   | 12   | 3/4"   | 60,0  | 2,36 | 41,3 | 1,63 | 150,0 | 5,90 |
| AY90I-12-16-80  | 19     | 3/4"   | 12   | 1"     | 60,0  | 2,36 | 47,6 | 1,88 | 80,0  | 3,15 |
| AY90I-12-16-100 | 19     | 3/4"   | 12   | 1"     | 60,0  | 2,36 | 47,6 | 1,88 | 100,0 | 3,94 |
| AY90I-16-12-108 | 25     | 1"     | 16   | 3/4"   | 79,0  | 3,11 | 41,3 | 1,63 | 108,0 | 4,25 |
| AY90I-16-16-80  | 25     | 1"     | 16   | 1"     | 76,0  | 3,00 | 47,6 | 1,88 | 80,0  | 3,15 |
| AY90I-16-16-100 | 25     | 1"     | 16   | 1"     | 72,0  | 2,83 | 47,6 | 1,88 | 100,0 | 3,94 |
| AY90I-16-16-130 | 25     | 1"     | 16   | 1"     | 72,0  | 2,83 | 47,6 | 1,88 | 130,0 | 5,12 |
| AY90I-16-16-150 | 25     | 1"     | 16   | 1"     | 72,0  | 2,83 | 47,6 | 1,88 | 150,0 | 5,90 |
| AY90I-16-20-100 | 25     | 1"     | 16   | 1.1/4" | 76,0  | 3,00 | 54,0 | 2,13 | 100,0 | 3,94 |
| AY90I-20-16-150 | 31     | 1.1/4" | 20   | 1"     | 98,7  | 3,88 | 47,6 | 1,88 | 150,0 | 5,90 |
| AY90I-20-20-120 | 31     | 1.1/4" | 20   | 1.1/4" | 97,7  | 3,84 | 54,0 | 2,13 | 120,0 | 4,72 |
| AY90I-20-20-150 | 31     | 1.1/4" | 20   | 1.1/4" | 97,7  | 3,84 | 54,0 | 2,13 | 150,0 | 5,90 |
| AY90I-24-24-140 | 38     | 1.1/2" | 24   | 1.1/2" | 108,0 | 4,25 | 63,5 | 2,50 | 140,0 | 5,51 |
| AY90I-32-32-145 | 50     | 2"     | 32   | 2"     | 145,0 | 5,70 | 79,4 | 3,13 | 145,0 | 5,71 |

# AL13I

## Tapered SAE straight flange

INTERLOCK



FERRULE

### FITTING

BSP-BSPT

METRIC

JIC

ORFS

NPTF

SAE 3000 CODE 61

SAE 6000 CODE 62

**TAPERED SAE**

SUPERCAT STYLE

| code        | ø hose |        |      | flange | A     |      | C    |      | H    |      |
|-------------|--------|--------|------|--------|-------|------|------|------|------|------|
|             | dn     | inch   | size |        | mm    | in   | mm   | in   | mm   | in   |
| AL13I-16-16 | 25     | 1"     | 16   | 1"     | 77,0  | 3,03 | 47,6 | 1,87 | 36,0 | 1,42 |
| AL13I-20-20 | 32     | 1.1/4" | 20   | 1.1/4" | 77,2  | 3,04 | 54,0 | 2,12 | 43,0 | 1,69 |
| AL13I-24-24 | 38     | 1.1/2" | 24   | 1.1/2" | 109,0 | 4,29 | 63,5 | 2,50 | 52,6 | 2,07 |
| AL13I-32-32 | 51     | 2"     | 32   | 2"     | 124,0 | 4,89 | 79,4 | 3,12 | 63,0 | 2,48 |

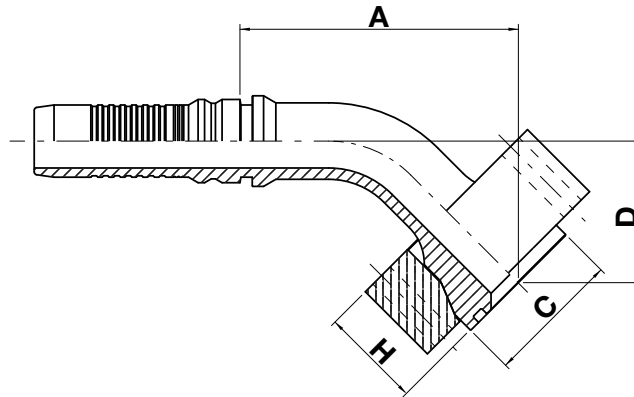
Heavy duty fitting compatible with ports according to SAE J518 code 62



# AL43I

## Tapered SAE - 45° elbow flange

INTERLOCK



.....  
FERRULE  
.....  
**FITTING**  
BSP-BSPT  
METRIC  
JIC  
ORFS  
NPTF  
SAE 3000 CODE 61  
SAE 6000 CODE 62  
**TAPERED SAE**  
SUPERCAT STYLE

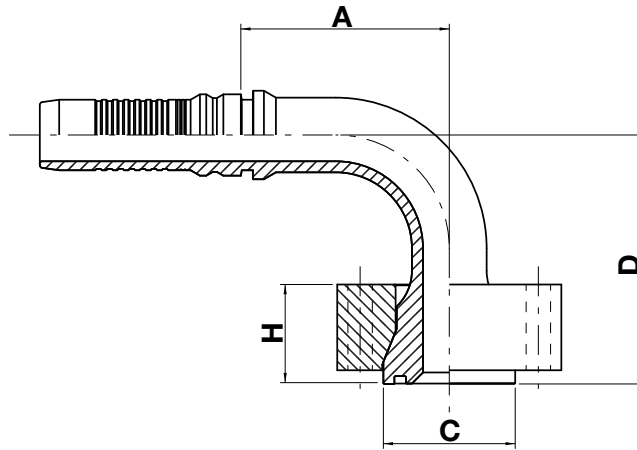
| code        | ø hose |        |      | flange | A     |      | D    |      | C    |      | H    |      |
|-------------|--------|--------|------|--------|-------|------|------|------|------|------|------|------|
|             | dn     | inch   | size |        | mm    | in   | mm   | in   | mm   | in   | mm   | in   |
| AL43I-16-16 | 25     | 1"     | 16   | 1"     | 98,0  | 3,86 | 50,0 | 1,97 | 47,6 | 1,87 | 36,0 | 1,42 |
| AL43I-20-20 | 32     | 1.1/4" | 20   | 1.1/4" | 125,0 | 4,92 | 60,0 | 2,36 | 54,0 | 2,12 | 43,0 | 1,69 |
| AL43I-24-24 | 38     | 1.1/2" | 24   | 1.1/2" | 157,0 | 6,18 | 80,0 | 3,15 | 63,5 | 2,50 | 52,6 | 2,07 |
| AL43I-32-32 | 51     | 2"     | 32   | 2"     | 186,5 | 7,34 | 90,0 | 3,12 | 79,4 | 3,12 | 63,0 | 2,48 |

Heavy duty fitting compatible with ports according to SAE J518 code 62

# AL93I

## Tapered SAE - 90° elbow flange

INTERLOCK



FERRULE

### FITTING

BSP-BSPT

METRIC

JIC

ORFS

NPTF

SAE 3000 CODE 61

SAE 6000 CODE 62

**TAPERED SAE**

SUPERCAT STYLE

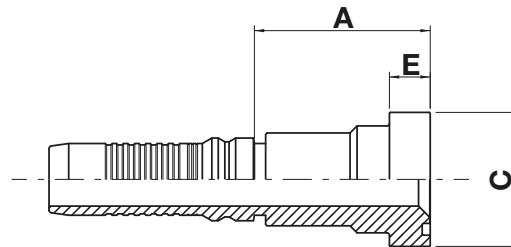
| code        | ø hose |        |      | flange | A     |      | D     |      | C    |      | H    |      |
|-------------|--------|--------|------|--------|-------|------|-------|------|------|------|------|------|
|             | dn     | inch   | size |        | mm    | in   | mm    | in   | mm   | in   | mm   | in   |
| AL93I-16-16 | 25     | 1"     | 16   | 1"     | 75,0  | 2,95 | 90,0  | 3,54 | 47,6 | 1,87 | 36,0 | 1,42 |
| AL93I-20-20 | 32     | 1.1/4" | 20   | 1.1/4" | 100,0 | 3,94 | 120,0 | 4,72 | 54,0 | 2,12 | 43,0 | 1,69 |
| AL93I-24-24 | 38     | 1.1/2" | 24   | 1.1/2" | 117,5 | 4,62 | 140,0 | 5,51 | 63,5 | 2,50 | 52,6 | 2,07 |
| AL93I-32-32 | 51     | 2"     | 32   | 2"     | 149,0 | 5,87 | 180,0 | 7,09 | 79,4 | 3,12 | 63,0 | 2,48 |

Heavy duty fitting compatible with ports according to SAE J518 code 62

# AY1CI

“SUPERCAT” style straight flange

INTERLOCK



.....  
FERRULE  
.....  
**FITTING**  
BSP-BSPT  
METRIC  
JIC  
ORFS  
NPTF  
SAE 3000 CODE 61  
SAE 6000 CODE 62  
TAPERED SAE  
**SUPERCAT STYLE**

| code        | ø hose |        |      | flange | A    |      | C    |      | E    |      |
|-------------|--------|--------|------|--------|------|------|------|------|------|------|
|             | dn     | inch   | size |        | mm   | in   | mm   | in   | mm   | in   |
| AY1CI-12-12 | 19     | 3/4"   | 12   | 3/4"   | 46,8 | 1,84 | 41,3 | 1,63 | 14,5 | 0,57 |
| AY1CI-12-16 | 19     | 3/4"   | 12   | 1"     | 61,5 | 2,42 | 47,6 | 1,87 | 14,5 | 0,57 |
| AY1CI-16-16 | 25     | 1"     | 16   | 1"     | 62,5 | 2,46 | 47,6 | 1,87 | 14,5 | 0,57 |
| AY1CI-16-20 | 25     | 1"     | 16   | 1.1/4" | 68,7 | 2,70 | 54,0 | 2,13 | 14,5 | 0,57 |
| AY1CI-20-20 | 31     | 1.1/4" | 20   | 1.1/4" | 71,4 | 2,81 | 54,0 | 2,13 | 14,5 | 0,57 |
| AY1CI-20-24 | 31     | 1.1/4" | 20   | 1.1/2" | 75,2 | 2,96 | 63,5 | 2,50 | 14,5 | 0,57 |
| AY1CI-24-24 | 38     | 1.1/2" | 24   | 1.1/2" | 75,0 | 2,95 | 63,5 | 2,50 | 14,5 | 0,57 |

# AY2CI

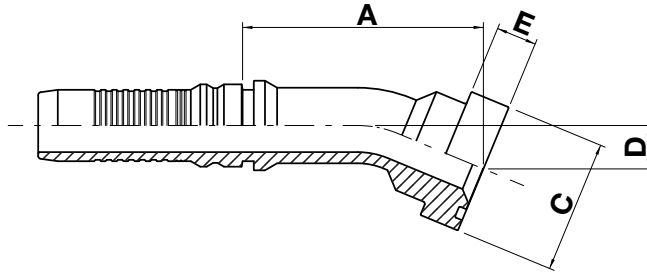
“SUPERCAT” style - 22,5° elbow flange

INTERLOCK

FERRULE

**FITTING**

- BSP-BSPT
- METRIC
- JIC
- ORFS
- NPTF
- SAE 3000 CODE 61
- SAE 6000 CODE 62
- TAPERED SAE
- SUPERCAT STYLE**

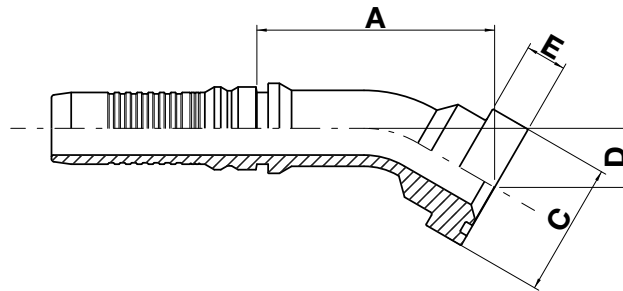


| code        | ø hose |        |      | flange | A     |      | C    |      | D    |      | E    |      |
|-------------|--------|--------|------|--------|-------|------|------|------|------|------|------|------|
|             | dn     | inch   | size |        | mm    | in   | mm   | in   | mm   | in   | mm   | in   |
| AY2CI-16-16 | 25     | 1"     | 16   | 1"     | 86,0  | 3,39 | 47,6 | 1,87 | 15,5 | 0,61 | 14,5 | 0,57 |
| AY2CI-16-20 | 25     | 1"     | 16   | 1.1/4" | 88,9  | 3,50 | 54,0 | 2,13 | 19,8 | 0,78 | 14,5 | 0,57 |
| AY2CI-20-20 | 31     | 1.1/4" | 20   | 1.1/4" | 126,7 | 4,99 | 54,0 | 2,13 | 20,7 | 0,81 | 14,5 | 0,57 |
| AY2CI-20-24 | 31     | 1.1/4" | 20   | 1.1/2" | 119,2 | 4,69 | 63,5 | 2,50 | 22,0 | 0,87 | 14,5 | 0,57 |
| AY2CI-24-24 | 38     | 1.1/2" | 24   | 1.1/2" | 128,0 | 5,04 | 63,5 | 2,50 | 21,2 | 0,83 | 14,5 | 0,57 |

# AY3CI

“SUPERCAT” style - 30° elbow flange

INTERLOCK



.....  
FERRULE  
.....  
**FITTING**  
BSP-BSPT  
METRIC  
JIC  
ORFS  
NPTF  
SAE 3000 CODE 61  
SAE 6000 CODE 62  
TAPERED SAE  
**SUPERCAT STYLE**

| code        | ø hose |        |      | flange | A     |      | C    |      | D    |      | E    |      |
|-------------|--------|--------|------|--------|-------|------|------|------|------|------|------|------|
|             | dn     | inch   | size |        | mm    | in   | mm   | in   | mm   | in   | mm   | in   |
| AY3CI-12-12 | 19     | 3/4"   | 12   | 3/4"   | 78,3  | 3,08 | 41,3 | 1,63 | 20,9 | 0,82 | 14,5 | 0,57 |
| AY3CI-12-16 | 19     | 3/4"   | 12   | 1"     | 84,3  | 3,32 | 47,6 | 1,87 | 24,4 | 0,96 | 14,5 | 0,57 |
| AY3CI-16-16 | 25     | 1"     | 16   | 1"     | 84,5  | 3,33 | 47,6 | 1,87 | 21,0 | 0,83 | 14,5 | 0,57 |
| AY3CI-16-20 | 25     | 1"     | 16   | 1.1/4" | 95,0  | 3,74 | 54,0 | 2,13 | 27,2 | 1,07 | 14,5 | 0,57 |
| AY3CI-20-20 | 31     | 1.1/4" | 20   | 1.1/4" | 123,5 | 4,86 | 54,0 | 2,13 | 28,9 | 1,14 | 14,5 | 0,57 |
| AY3CI-20-24 | 31     | 1.1/4" | 20   | 1.1/2" | 122,7 | 4,83 | 63,5 | 2,50 | 30,6 | 1,20 | 14,5 | 0,57 |
| AY3CI-24-24 | 38     | 1.1/2" | 24   | 1.1/2" | 133,0 | 5,24 | 63,5 | 2,50 | 29,9 | 1,18 | 14,5 | 0,57 |

# AY4CI

**“SUPERCAT” style - 45° elbow flange**

INTERLOCK

FERRULE

**FITTING**

BSP-BSPT

METRIC

JIC

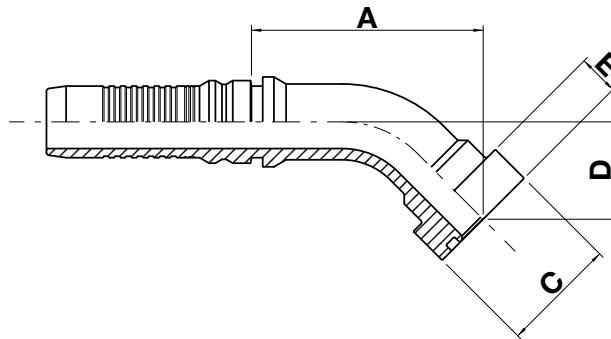
ORFS

NPTF

SAE 3000 CODE 61

SAE 6000 CODE 62

TAPERED SAE

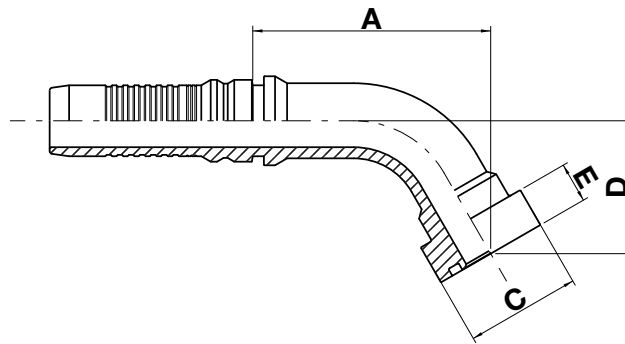
**SUPERCAT STYLE**

| code        | ø hose |        |      | flange | A     |      | C    |      | D    |      | E    |      |
|-------------|--------|--------|------|--------|-------|------|------|------|------|------|------|------|
|             | dn     | inch   | size |        | mm    | in   | mm   | in   | mm   | in   | mm   | in   |
| AY4CI-12-12 | 19     | 3/4"   | 12   | 3/4"   | 69,1  | 2,72 | 41,3 | 1,63 | 32,5 | 1,28 | 14,5 | 0,57 |
| AY4CI-12-16 | 19     | 3/4"   | 12   | 1"     | 75,7  | 2,98 | 47,6 | 1,87 | 37,5 | 1,48 | 14,5 | 0,57 |
| AY4CI-16-16 | 25     | 1"     | 16   | 1"     | 82,5  | 3,25 | 47,6 | 1,87 | 34,7 | 1,37 | 14,5 | 0,57 |
| AY4CI-16-20 | 25     | 1"     | 16   | 1.1/4" | 92,0  | 3,62 | 54,0 | 2,13 | 42,8 | 1,69 | 14,5 | 0,57 |
| AY4CI-20-20 | 31     | 1.1/4" | 20   | 1.1/4" | 113,7 | 4,48 | 54,0 | 2,13 | 46,3 | 1,82 | 14,5 | 0,57 |
| AY4CI-20-24 | 31     | 1.1/4" | 20   | 1.1/2" | 115,1 | 4,53 | 63,5 | 2,50 | 48,8 | 1,92 | 14,5 | 0,57 |
| AY4CI-24-24 | 38     | 1.1/2" | 24   | 1.1/2" | 123,0 | 4,84 | 63,5 | 2,50 | 48,9 | 1,93 | 14,5 | 0,57 |

# AY6CI

“SUPERCAT” style - 60° elbow flange

INTERLOCK



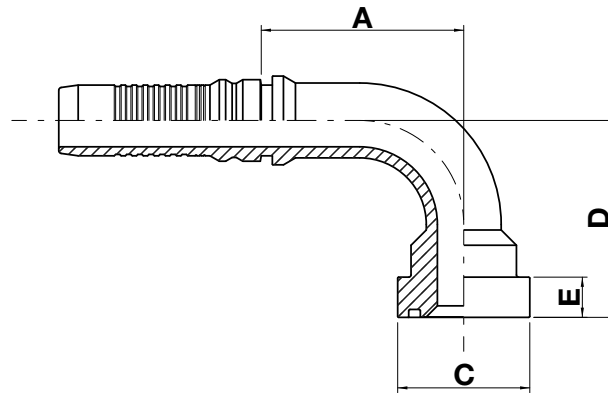
.....  
FERRULE  
.....  
**FITTING**  
BSP-BSPT  
METRIC  
JIC  
ORFS  
NPTF  
SAE 3000 CODE 61  
SAE 6000 CODE 62  
TAPERED SAE  
**SUPERCAT STYLE**

| code        | ø hose |        |      | flange | A     |      | C    |      | D    |      | E    |      |
|-------------|--------|--------|------|--------|-------|------|------|------|------|------|------|------|
|             | dn     | inch   | size |        | mm    | in   | mm   | in   | mm   | in   | mm   | in   |
| AY6CI-12-12 | 19     | 3/4"   | 12   | 3/4"   | 68,8  | 2,71 | 41,3 | 1,63 | 43,1 | 1,70 | 14,5 | 0,57 |
| AY6CI-12-16 | 19     | 3/4"   | 12   | 1"     | 72,8  | 2,87 | 47,6 | 1,88 | 50,0 | 1,97 | 14,5 | 0,57 |
| AY6CI-16-16 | 25     | 1"     | 16   | 1"     | 85,5  | 3,37 | 47,6 | 1,87 | 47,8 | 1,88 | 14,5 | 0,57 |
| AY6CI-16-20 | 25     | 1"     | 16   | 1.1/4" | 98,6  | 3,88 | 54,0 | 2,13 | 58,2 | 2,29 | 14,5 | 0,57 |
| AY6CI-20-20 | 31     | 1.1/4" | 20   | 1.1/4" | 136,3 | 5,37 | 54,0 | 2,13 | 58,5 | 2,30 | 14,5 | 0,57 |
| AY6CI-20-24 | 31     | 1.1/4" | 20   | 1.1/2" | 123,1 | 4,85 | 63,5 | 2,50 | 67,2 | 2,64 | 14,5 | 0,57 |
| AY6CI-24-24 | 38     | 1.1/2" | 24   | 1.1/2" | 136,0 | 5,35 | 63,5 | 2,50 | 68,7 | 2,70 | 14,5 | 0,57 |

# AY9CI

"SUPERCAT" style - 90° elbow flange

INTERLOCK



FERRULE

**FITTING**

BSP-BSPT

METRIC

JIC

ORFS

NPTF

SAE 3000 CODE 61

SAE 6000 CODE 62

TAPERED SAE

**SUPERCAT STYLE**

| code        | ø hose |        |      | flange | A     |      | C    |      | D     |      | E    |      |
|-------------|--------|--------|------|--------|-------|------|------|------|-------|------|------|------|
|             | dn     | inch   | size |        | mm    | in   | mm   | in   | mm    | in   | mm   | in   |
| AY9CI-12-12 | 19     | 3/4"   | 12   | 3/4"   | 53,0  | 2,09 | 41,3 | 1,63 | 62,0  | 2,44 | 14,5 | 0,57 |
| AY9CI-12-16 | 19     | 3/4"   | 12   | 1"     | 53,0  | 2,09 | 47,6 | 1,88 | 70,0  | 2,76 | 14,5 | 0,57 |
| AY9CI-16-16 | 25     | 1"     | 16   | 1"     | 73,0  | 2,87 | 47,6 | 1,87 | 71,0  | 2,80 | 14,5 | 0,57 |
| AY9CI-16-20 | 25     | 1"     | 16   | 1.1/4" | 75,0  | 2,95 | 54,0 | 2,13 | 84,5  | 3,33 | 14,5 | 0,57 |
| AY9CI-20-20 | 31     | 1.1/4" | 20   | 1.1/4" | 97,2  | 3,83 | 54,0 | 2,13 | 90,0  | 3,54 | 14,5 | 0,57 |
| AY9CI-20-24 | 31     | 1.1/4" | 20   | 1.1/2" | 99,9  | 3,93 | 63,5 | 2,50 | 100,0 | 3,94 | 14,5 | 0,57 |
| AY9CI-24-24 | 38     | 1.1/2" | 24   | 1.1/2" | 108,8 | 4,28 | 63,5 | 2,50 | 106,0 | 4,17 | 14,5 | 0,57 |





## LubeTeam Hydraulic S.r.l.

*Administration and Headquarter:*

Via Tufara Scautieri, 6

83018 - San Martino Valle Caudina (AV)

*Office and Warehouse:*

S.S. 7 Appia, Km. 237,00

82011 - Airola BN

ITALY

Tel. +39 0823 950 994

Fax +39 0823 412 546

[www.lubeteam.it](http://www.lubeteam.it) [info@lubeteam.it](mailto:info@lubeteam.it)

Italian VAT / C.F. e P.IVA: 01251720627

Follow us



This document is the property of LubeTeam Hydraulic S.r.l. All data reported here are for the exclusive use of the Receiver. Reproduction is not authorized without writing permission, in all or in part of the content of this document, in accordance to Law 633 art. 171, dated April 22, 1941.

Il presente documento è di proprietà della LubeTeam Hydraulic S.r.l. I dati riportati sono per esclusivo del destinatario. La riproduzione, di tutto o in parte, non è autorizzata senza permesso scritto secondo l'art. 171 della L. 633 del 22 Aprile 1941.