



Tierre  
SERIE OTR  
Innesti Rapidi



 HYDRAULIC  
COMPONENTS  
& FLUID CONTAMINATION  
CONTROL



All trademarks belong to their respective owners; third party trademarks, product names, trade names, corporate names and company names mentioned may be trademarks of their respective owners or registered trademarks of other companies and are used for instructional purposes and for the benefit of the owner, without any end of Copyright infringement in force.

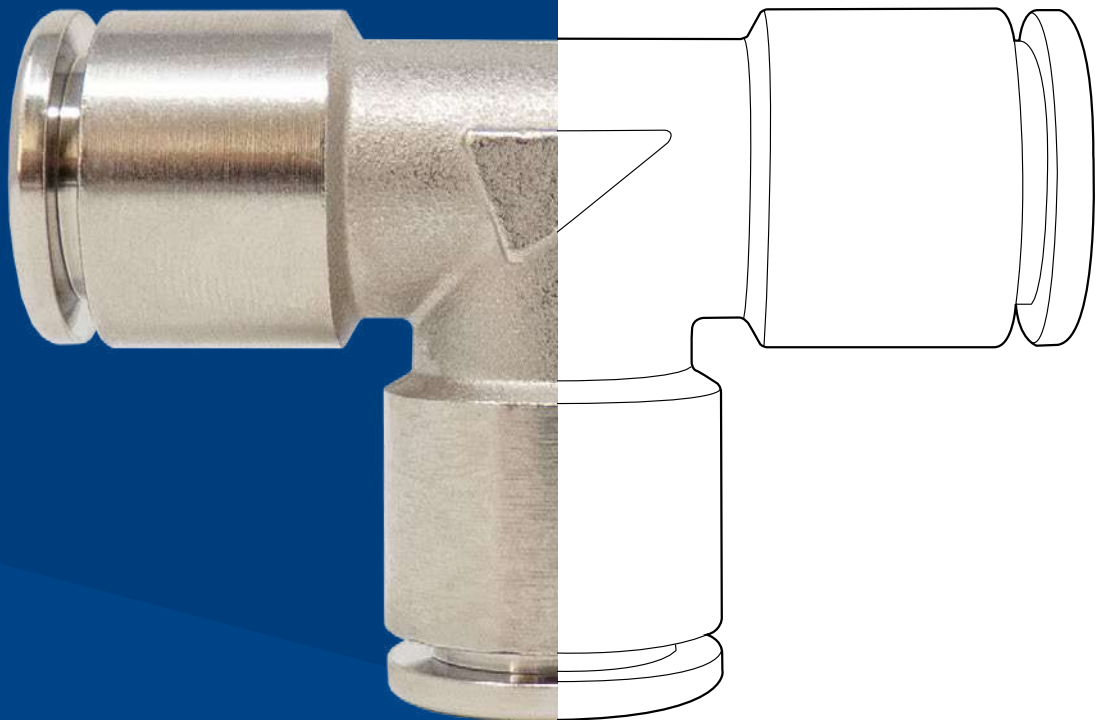
Tutti i marchi riportati appartengono ai legittimi proprietari; marchi di terzi, nomi di prodotti, nomi commerciali, nomi corporativi e società citati possono essere di proprietà dei rispettivi titolari o registrati da altre società e sono stati utilizzati a puro scopo esplicativo e a beneficio del possessore, senza alcun fine di violazione dei diritti di Copyright vigenti.

 **TierreFittings**<sup>®</sup>

# SERIE OTR



M A D E I N I T A L Y

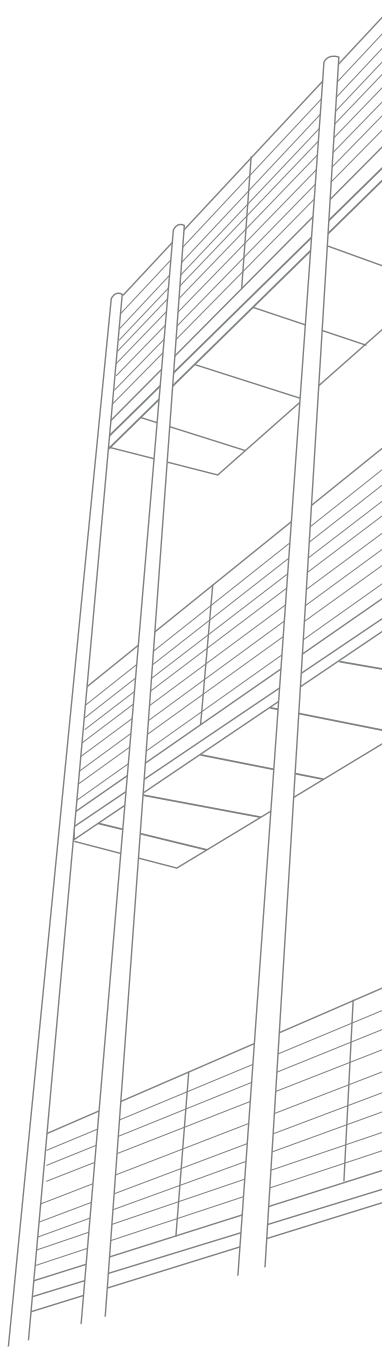


**25**  
anniversary

 **TierreGroup**<sup>®</sup>  
unici per visione







 **TierreGroup**®

 **TierreFittings**®

 **F-Line.PRO**

 **NET.Fit**®

 **INOX.Fit**®



# INNESTI RAPIDI SERIE OTR

## PLUS

Raccordi di facile utilizzo con  
**PRESTAZIONI ELEVATE**

**ROBUSTI** ma al tempo stesso  
**COMPATTI** per garantire la massima  
flessibilità di assemblaggio

**GAMMA COMPLETA** idonea  
all'utilizzo con tubi di diverse tipologie

**NICHELATI ELETTROLITICAMENTE** al  
fine di garantire la massima durata nel  
tempo

**SISTEMA PINZA STATICO** al fine di  
annullare i movimenti del tubo una volta  
inserito, garantendo una tenuta perfetta

Ogni raccordo è **STUDIATO**  
**PER GARANTIRE IL MASSIMO**  
**PASSAGGIO POSSIBILE** in funzione  
del diametro del tubo e dell'eventuale  
filettatura

Possibilità di sviluppo di **PRODOTTI**  
**PERSONALIZZATI SU SPECIFICA**  
**RICHIESTA**

M A D E I N I T A L Y







p. 79 / **OTRC-R**



p. 79 / **OTRC-G**



p. 80 / **OTRC-N**



p. 80 / **OTROC-G**



p. 80 / **OTROC-N**



p. 81 / **OTRCF-G**



p. 81 / **OTRMM**



p. 81 / **OTRME**



p. 82 / **OTRL-R**



p. 82 / **OTRL-G**



p. 83 / **OTRL-N**



p. 83 / **OTRLF-G**



p. 83 / **OTRT-R**



p. 84 / **OTRT-G**



p. 84 / **OTRT-N**



p. 85 / **OTRST-R**



p. 85 / **OTRST-G**



p. 86 / **OTRA-G**



p. 86 / **OTRUC**



p. 87 / **OTRUL**



p. 87 / **OTRUT**

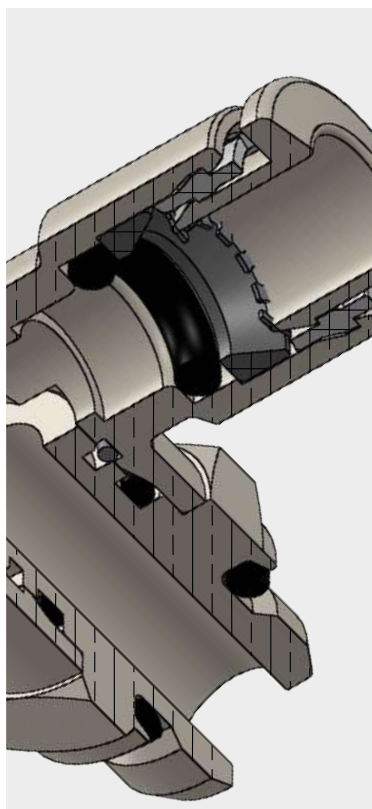


p. 88 / **OTRY**



p. 88 / **OTRGJ**





-20°C ÷ 80°C



**Pressione d'esercizio:**

20 Bar

**Pressione negativa:**

-0,95 Bar (- 95 Kpa)



Aria compressa & Vuoto



- Conica gas BSPT ISO 7 da R1/8" a R1/2"
- Cilindrica gas BSPP ISO 228 da G1/8" a G1/2"
- Metrica ISO 262 M5 e M7
- NPT ANSI B 1.20.1 da N1/8" a N1/2"
- UNF ANSI B 1.1 10-32 UF



Poliammide PA,  
Poliuretano PU,  
Polietilene PE

**Corpo:** Ottone nichelato  
UNI EN 12164 CW614N &  
UNI EN 12164 CW617N

**Collare:** POM

**Colletto:** Ottone nichelato  
UNI EN 12164 CW614N

**Pinza:** Acciaio inox AISI 301

**Distanziale:** PBT

**O-ring:** NBR senza silicone

**Guarnizione:** NBR senza silicone

**Anello di tenuta per sistemi girevoli:**  
Acciaio inox AISI 302

**SILICONE FREE**

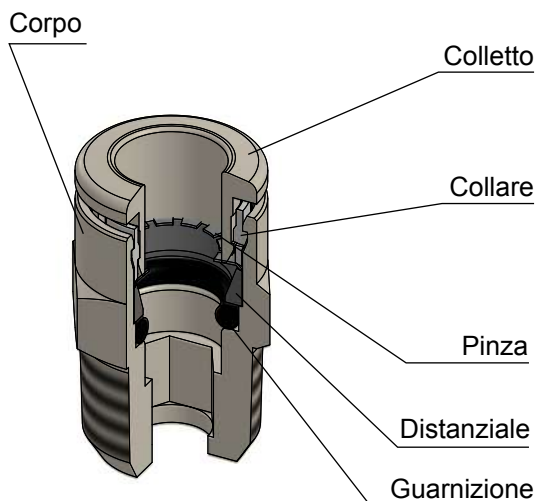
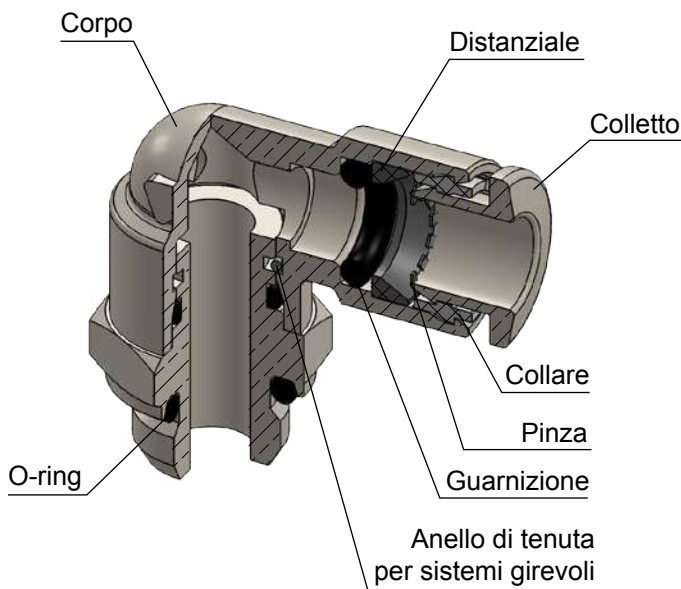


Prodotti conformi al regolamento CE 1907/2006

**RoHS3**

Prodotti conformi alla direttiva EU 2015/863

**DETTAGLI COSTRUTTIVI**



**COPPIA DI SERRAGGIO**

CONICA GAS BSPT ISO 7 & NPT ANSI B 1.20.1

FILETTO	1/8"	1/4"	3/8"	1/2"	1/8" NPT	1/4" NPT	3/8" NPT	1/2" NPT
Nm	10-12	14-16	16-18	18-20	3,5	4,5	7	12

**COPPIA DI SERRAGGIO**

CILINDRICA GAS BSPP ISO 228 & METRICA ISO 262

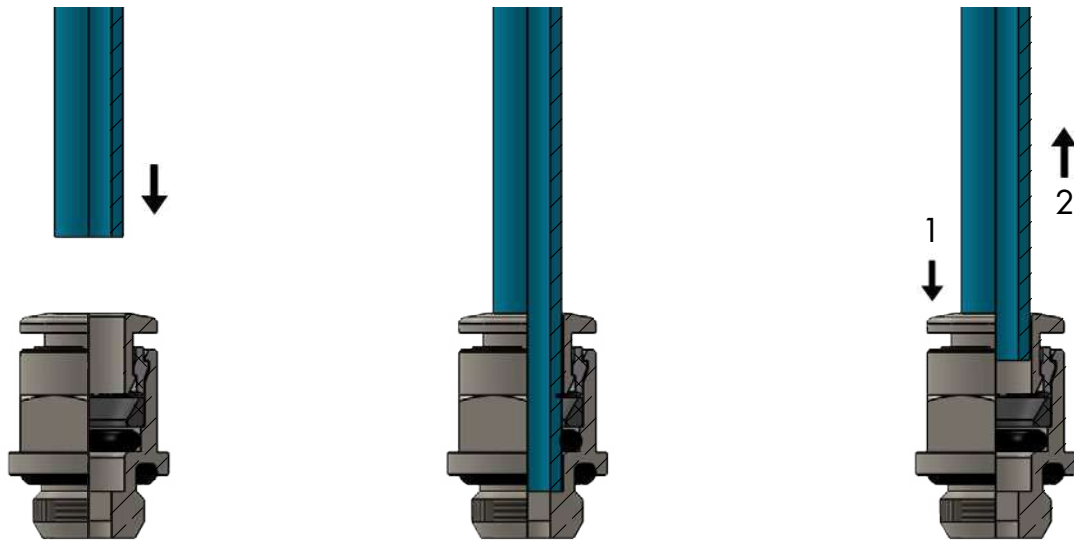
FILETTO	M5x0,8	M7x1,0	1/8"	1/4"	3/8"	1/2"
Nm	1 ± 20%	3 ± 20%	6 ± 20%	7,5 ± 20%	9 ± 20%	9 ± 20%

### CONNESSIONE DEL TUBO AL RACCORDO

- Assicurarsi che il tubo sia sempre inserito completamente fino a battuta.
- Tagliare il tubo a 90° mediante l'utilizzo di un apposito cutter, inserirlo fino a battuta e tirarlo con accortezza per accertare il corretto inserimento.
- Se ci sono danni o imperfezioni sulla superficie del tubo o se lo stesso risulta ovalizzato si possono verificare delle perdite od una imprevista disconnessione. Verificare il tutto scrupolosamente.
- Il diametro esterno del tubo in poliuretano si espande in base alla pressione applicata. Pertanto il reinserimento nel raccordo potrebbe non essere più possibile.
- Tagliare la parte di tubo agganciata al raccordo per poterlo riutilizzare.

### DISCONNESSIONE DEL TUBO DAL RACCORDO

- Accertarsi che il tubo non sia in pressione prima di disconnettere lo stesso dal raccordo.
- Per sganciare il tubo premere l'anello di sgancio (1), tirare ed estrarre il tubo (2) contemporaneamente.
- Tagliare la parte di tubo agganciata al raccordo per poterlo riutilizzare.



#### TOLLERANZA - TUBO METRICO

Ø TUBO (mm)	4	6	8	10	12
TOLLERANZA (mm)	± 0,1	± 0,1	± 0,1	± 0,15	± 0,15

#### INSERIMENTO - TUBO METRICO

Ø TUBO (mm)	4	6	8	10	12
LUNGHEZZA DI INSERIMENTO TUBO (mm)	14	15,5	17,5	19	21

#### TOLLERANZA - TUBO IN POLLICI

Ø TUBO	5/32"	1/4"	5/16"	3/8"	1/2"
TOLLERANZA (mm)	±0,1	±0,1	±0,1	± 0,15	± 0,15

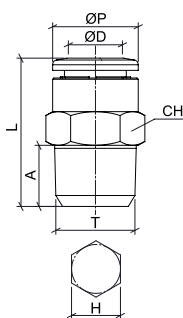
#### INSERIMENTO - TUBO IN POLLICI

Ø TUBO	5/32"	1/4"	5/16"	3/8"	1/2"
LUNGHEZZA DI INSERIMENTO TUBO (mm)	14	16	17,5	18,5	21,5



## OTRC-R

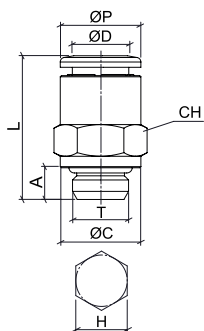
Diritto maschio conico BSPT nichelato per tubo metrico



CODICE	ØD	T	ØP	A	L	CH	H	g
OTRC04R01	4	R 1/8"	10	8	18,5	10	3	7,0
OTRC04R02		R 1/4"	10	10	20,0	14	3	15,4
OTRC06R01	6	R 1/8"	12	8	21,0	12	4	9,0
OTRC06R02		R 1/4"	12	10	20,5	14	4	14,0
OTRC08R01	8	R 1/8"	14	8	26,0	14	5	15,0
OTRC08R02		R 1/4"	14	10	24,0	14	6	15,0
OTRC08R03		R 3/8"	14	11	22,0	17	6	24,0
OTRC10R02	10	R 1/4"	16	10,5	30,0	16	7	22,0
OTRC10R03		R 3/8"	16	11	25,0	17	8	23,0
OTRC10R04		R 1/2"	16	14	25,5	22	8	45,0
OTRC12R02	12	R 1/4"	19	10	33,0	19	6	21,0
OTRC12R03		R 3/8"	19	11	29,5	19	10	27,0
OTRC12R04		R 1/2"	19	14	27,0	22	10	44,5

## OTRC-G

Diritto maschio cilindrico BSPP &amp; metrico nichelato per tubo metrico



CODICE	ØD	T	ØP	ØC	A	L	CH	H	g
OTRC04M5	4	M5x0,8	10	7	4	19,0	9	2,5	5,0
OTRC04G01		G 1/8"	10	14	5,5	18,0	10	3	8,0
OTRC04G02		G 1/4"	10	16	6,5	18,0	10	3	11,0
OTRC06M5	6	M5x0,8	12	7	4	21,0	11	2,5	8,0
OTRC06G01		G 1/8"	12	14	5,5	19,5	12	4	9,0
OTRC06G02		G 1/4"	12	16	6,5	19,5	12	4	12,0
OTRC08G01	8	G 1/8"	14	14	5,5	24,5	14	5	14,0
OTRC08G02		G 1/4"	14	16	6,5	21,5	14	6	13,5
OTRC08G03		G 3/8"	14	20	7,5	21,5	14	6	20,0
OTRC10G02	10	G 1/4"	16	16	6,5	27,5	16	7	19,0
OTRC10G03		G 3/8"	16	20	7,5	25,0	16	8	22,0
OTRC10G04		G 1/2"	16	25	9	25,0	16	8	33,0
OTRC12G02	12	G 1/4"	19	16	6,5	30,0	19	6	28,0
OTRC12G03		G 3/8"	19	22	7,5	29,5	19	10	30,0
OTRC12G04		G 1/2"	19	25	9	28,0	19	10	37,0

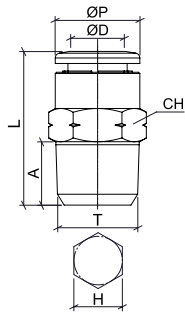
Diritto maschio cilindrico BSPP &amp; metrico nichelato per tubo in pollici

CODICE	ØD	T	ØP	ØC	A	L	CH	H	g
OTRC1-4M5	1/4"	M5x0,8	13	7	4	22,0	13	2,5	8,0
OTRC1-4G01		G 1/8"	13	13	5,5	20,0	13	4	9,0
OTRC38G03	3/8"	G 3/8"	16	20	7,5	25,0	16	8	22,0



**OTRC-N**

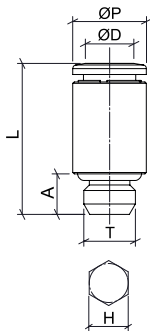
Diritto maschio NPT nichelato per tubo in pollici



CODICE	ØD	T	ØP	A	L	CH	H	g
OTRC532N01	5/32"	N 1/8"	10	8,5	19,0	7/16"	1/8"	9,0
OTRC532N02		N 1/4"	10	10,5	20,5	9/16"	1/8"	16,0
OTRC1-4N01	1/4"	N 1/8"	13	8,5	22,5	1/2"	3/16"	11,0
OTRC1-4N02		N 1/4"	13	10,5	22,5	9/16"	3/16"	15,0
OTRC516N01	5/16"	N 1/8"	14	8,5	27,0	9/16"	3/16"	15,5
OTRC516N02		N 1/4"	14	10,5	25,5	9/16"	1/4"	16,0
OTRC516N03		N 3/8"	14	11,5	23,5	11/16"	1/4"	25,0
OTRC38N01	3/8"	N 1/8"	16	8,5	29,0	11/16"	3/16"	21,5
OTRC38N02		N 1/4"	16	10,5	30,0	11/16"	1/4"	25,0
OTRC38N03		N 3/8"	16	11,5	26,0	11/16"	5/16"	24,0
OTRC38N04		N 1/2"	16	14,5	27,0	7/8"	5/16"	46,0
OTRC1-2N02	1/2"	N 1/4"	19	10,5	34,0	7/8"	1/4"	37,0
OTRC1-2N03		N 3/8"	19	11,5	34,5	7/8"	3/8"	39,0
OTRC1-2N04		N 1/2"	19	14,5	30,5	7/8"	3/8"	43,0

**OTROC-G**

Diritto maschio tondo metrico nichelato per tubo metrico

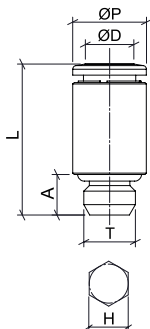


CODICE	ØD	T	ØP	A	L	H	g
OTROC04M5	4	M5x0,8	10	4	19,0	2,5	-
OTROC04M6	4	M6x1	10	4,5	20,0	2,5	-
OTROC04M7	4	M7x1	10	5,5	20,5	2,5	-
OTROC06M5	6	M5x0,8	12	4	21,1	2,5	-
* OTROC06M7C	6	M7x1	10	5,5	20,5	4	-

\* versione compatta

**OTROC-N**

Diritto maschio tondo UNF nichelato per tubo in pollici

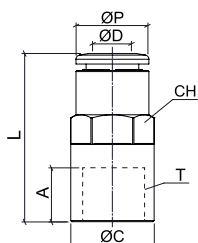


CODICE	ØD	T	ØP	A	L	H	g
OTROC532UF1032	5/32"	UNF 10-32	0,393	0,157	0,748	3/32"	12,0
OTROC1-4UF1032	1/4"	UNF 10-32	0,511	0,157	0,846	3/32"	16,0



**OTRCF-G**

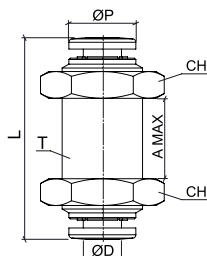
Diritto femmina cilindrico BSPP nichelato per tubo metrico



CODICE	ØD	T	ØP	ØC	A	L	CH	g
OTRCF04G01	4	G 1/8"	10	13	7,5	24,5	10	-
OTRCF04G02		G 1/4"	10	16	11	28,5	10	-
OTRCF06G01	6	G 1/8"	12	13	7,5	26,1	12	-
OTRCF06G02		G 1/4"	12	16	11	29,6	12	-
OTRCF08G01	8	G 1/8"	14	13	7,5	27,2	14	-
OTRCF08G02		G 1/4"	14	16	11	32,2	14	-

**OTRMM**

Passaparete nichelato per tubo metrico



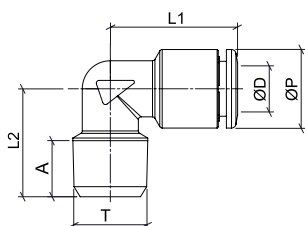
CODICE	ØD	T	ØP	L	A MAX	CH	g
OTRMM04-532	4	M12x1	10	30,0	12	16	23,0
OTRMM0600	6	M14x1	12	35,5	15	17	31,0
OTRMM08-516	8	M16x1	14	36,5	16	19	36,0
OTRMM1000	10	M20x1	16	43,0	19	24	70,0
OTRMM1200	12	M22x1,5	19	44,0	20	25	76,0

Passaparete nichelato per tubo in pollici

CODICE	ØD	T	ØP	L	A MAX	CH	g
OTRMM1-4	1/4"	M16x1	13	35,6	13	17	31,0
OTRMM38	3/8"	M20x1	16	42,5	17	24	70,0

**OTRME**

Gomito maschio fisso conico BSPT nichelato per tubo metrico

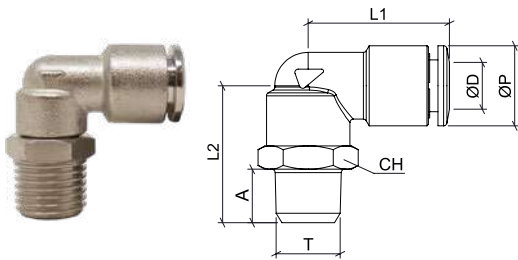


CODICE	ØD	T	ØP	A	L1	L2	g
OTRME04R01	4	R 1/8"	10	8	18,0	15,5	11,0
OTRME06R01	6	R 1/8"	12	8	19,5	15,5	15,0
OTRME06R02		R 1/4"	12	10	20,5	19,0	20,0
OTRME08R01	8	R 1/8"	14	8	22,5	16,5	20,0
OTRME08R02		R 1/4"	14	10	22,5	19,0	24,0



**OTRL-R**

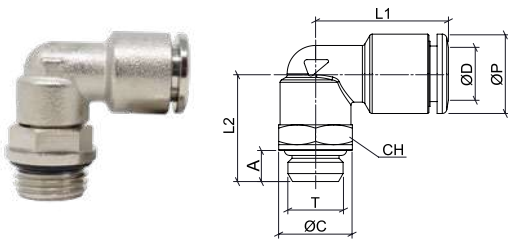
Gomito maschio girevole conico BSPT nichelato per tubo metrico



CODICE	ØD	T	ØP	A	L1	L2	CH	g
OTRL04R01	4	R 1/8"	10	8	19,5	20,5	13	20,0
OTRL04R02		R 1/4"	10	10	19,5	23,0	14	23,0
OTRL06R01	6	R 1/8"	12	8	21,0	20,5	13	20,0
OTRL06R02		R 1/4"	12	10	21,0	23,0	14	24,0
OTRL08R01	8	R 1/8"	14	8	23,0	20,5	13	22,0
OTRL08R02		R 1/4"	14	10	23,0	23,0	14	26,0
OTRL08R03		R 3/8"	14	11	23,0	24,5	17	32,0
OTRL10R02	10	R 1/4"	16	10	26,0	25,5	16	41,0
OTRL10R03		R 3/8"	16	11	26,0	27,0	17	45,0
OTRL10R04		R 1/2"	16	14	26,0	30,0	22	59,0
OTRL12R02	12	R 1/4"	19	10	31,0	28,0	20	56,0
OTRL12R03		R 3/8"	19	11	31,0	28,5	20	59,0
OTRL12R04		R 1/2"	19	14	31,0	31,5	22	70,0

**OTRL-G**

Gomito maschio girevole cilindrico BSPP &amp; metrico nichelato per tubo metrico



CODICE	ØD	T	ØP	ØC	A	L1	L2	CH	g
OTRL04M5	4	M5x0,8	10	7	4	18,0	15,0	8	5,0
OTRL04G01		G 1/8"	10	13	5,5	19,5	19,0	13	19,0
OTRL04G02		G 1/4"	10	16	6,5	19,5	21,5	13	22,0
OTRL06M5	6	M5x0,8	12	7	4	19,5	16,0	8	11,0
OTRL06G01		G 1/8"	12	13	5,5	21,0	19,0	13	20,0
OTRL06G02		G 1/4"	12	16	6,5	21,0	21,5	13	24,0
OTRL08G01	8	G 1/8"	14	13	5,5	23,0	19,0	13	22,0
OTRL08G02		G 1/4"	14	16	6,5	23,0	21,5	13	24,0
OTRL08G03		G 3/8"	14	20	7,5	23,0	23,0	13	28,0
OTRL10G02	10	G 1/4"	16	16	6,5	26,0	23,0	16	35,0
OTRL10G03		G 3/8"	16	20	7,5	26,0	26,0	16	43,5
OTRL10G04		G 1/2"	16	25	9	26,0	27,5	16	52,0
OTRL12G02	12	G 1/4"	19	16	6,5	31,0	25,5	20	55,0
OTRL12G03		G 3/8"	19	20	7,5	31,0	26,5	20	55,0
OTRL12G04		G 1/2"	19	25	9	31,0	29,0	20	63,0

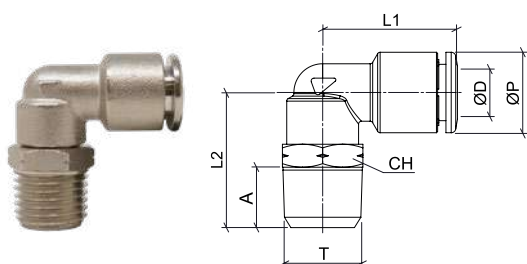
Gomito maschio girevole cilindrico BSPP nichelato per tubo in pollici

CODICE	ØD	T	ØP	ØC	A	L1	L2	CH	g
OTRL1-4G01	1/4"	G 1/8"	13	13	5,5	22,0	19,0	13	20,0
OTRL1-4G02		G 1/4"	13	16	6,5	22,0	21,5	13	24,0
OTRL38G02	3/8"	G 1/4"	16	16	6,5	26,0	23,0	16	35,0
OTRL38G03		G 3/8"	16	20	7,5	26,0	26,0	16	43,5



## OTRL-N

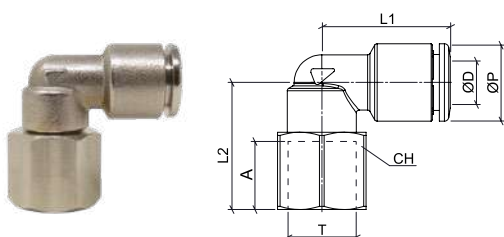
Gomito maschio girevole NPT &amp; UNF nichelato per tubo in pollici



CODICE	ØD	T	ØP	A	L1	L2	CH	g
OTRL532UF1032	5/32"	UNF 10/32"	10	4	18,0	15,0	3/8"	11,0
OTRL532N01		N 1/8"	10	8,5	19,5	21,0	9/16"	20,5
OTRL532N02		N 1/4"	10	10,5	19,5	23,5	9/16"	24,0
OTRL1-4N01	1/4"	N 1/8"	13	8,5	21,5	21,0	9/16"	23,0
OTRL1-4N02		N 1/4"	13	10,5	21,5	23,5	9/16"	26,0
OTRL516N01	5/16"	N 1/8"	14	8,5	23,5	21,0	9/16"	23,0
OTRL516N02		N 1/4"	14	10,5	23,5	23,5	9/16"	24,0
OTRL516N03		N 3/8"	14	11,5	23,5	25,0	11/16"	34,0
OTRL38N01	3/8"	N 1/8"	16	8,5	26,0	24,0	11/16"	40,0
OTRL38N02		N 1/4"	16	10,5	26,0	26,0	11/16"	43,0
OTRL38N03		N 3/8"	16	11,5	26,0	27,5	11/16"	47,0
OTRL38N04		N 1/2"	16	14,5	26,0	30,5	7/8"	60,0
OTRL1-2N02	1/2"	N 1/4"	19	10,5	31,0	28,5	7/8"	58,0
OTRL1-2N03		N 3/8"	19	11,5	31,0	29,5	7/8"	61,0
OTRL1-2N04		N 1/2"	19	14,5	31,0	32,5	7/8"	67,0

## OTRLF-G

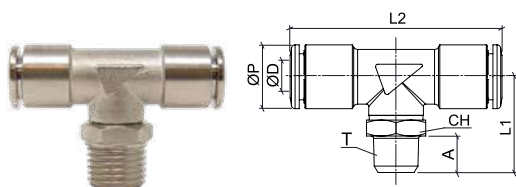
Gomito femmina girevole cilindrico BSPP nichelato per tubo metrico



CODICE	ØD	T	ØP	A	L1	L2	CH	g
OTRLF04G01	4	G 1/8"	10	7,5	19,5	19,2	13	-
OTRLF06G01	6	G 1/8"	12	7,5	21,1	19,0	13	-
OTRLF06G02		G 1/4"	12	11	21,1	23,0	16	-
OTRLF08G01	8	G 1/8"	14	7,5	23,2	19,0	13	-
OTRLF08G02		G 1/4"	14	11	23,2	23,0	16	-

## OTRT-R

T centrale maschio girevole conico BSPT nichelato per tubo metrico

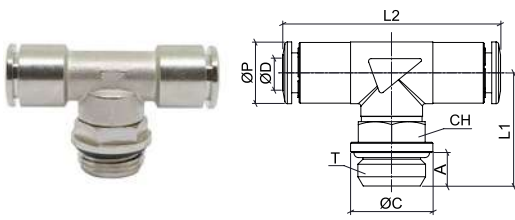


CODICE	ØD	T	ØP	A	L1	L2	CH	g
OTRT04R01	4	R 1/8"	10	8	21,0	39,0	13	27,0
OTRT04R02		R 1/4"	10	10	23,5	39,0	14	31,0
OTRT06R01	6	R 1/8"	12	8	21,0	42,0	13	30,0
OTRT06R02		R 1/4"	12	10	23,5	42,0	14	34,0
OTRT08R01	8	R 1/8"	14	8	21,0	46,5	13	34,0
OTRT08R02		R 1/4"	14	10	23,5	46,5	14	37,0
OTRT08R03		R 3/8"	14	11	24,0	46,5	17	44,0
OTRT10R02	10	R 1/4"	16	10	25,5	52,0	16	55,0
OTRT10R03		R 3/8"	16	11	27,0	52,0	17	58,5
OTRT10R04		R 1/2"	16	14	30,0	52,0	22	73,0
OTRT12R02	12	R 1/4"	19	10	28,0	62,0	20	77,0
OTRT12R03		R 3/8"	19	11	28,5	62,0	20	80,0
OTRT12R04		R 1/2"	19	14	31,5	62,0	22	81,0



**OTRT-G**

T centrale maschio girevole cilindrico BSPP & metrico nichelato per tubo metrico



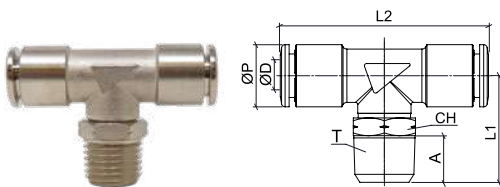
CODICE	ØD	T	ØP	ØC	A	L1	L2	CH	g
OTRT04M5	4	M5x0,8	10	7	4	17,0	32,0	8	17,0
OTRT04G01		G 1/8"	10	13	5,5	19,5	39,0	13	29,0
OTRT04G02		G 1/4"	10	16	6,5	22,0	39,0	13	29,0
OTRT06M5	6	M5x0,8	12	7	4	17,0	40,0	8	21,0
OTRT06G01		G 1/8"	12	13	5,5	19,5	42,0	13	29,0
OTRT06G02		G 1/4"	12	16	6,5	22,0	42,0	13	32,0
OTRT08G01	8	G 1/8"	14	13	5,5	19,5	46,5	13	33,0
OTRT08G02		G 1/4"	14	16	6,5	22,0	46,5	13	35,5
OTRT08G03		G 3/8"	14	20	7,5	23,5	46,5	13	39,0
OTRT10G02	10	G 1/4"	16	16	6,5	23,0	52,0	16	52,0
OTRT10G03		G 3/8"	16	20	7,5	26,0	52,0	16	56,0
OTRT10G04		G 1/2"	16	25	9	27,5	52,0	16	64,5
OTRT12G02	12	G 1/4"	19	16	6,5	25,5	62,0	20	75,0
OTRT12G03		G 3/8"	19	20	7,5	26,5	62,0	20	77,0
OTRT12G04		G 1/2"	19	25	9	29,0	62,0	20	82,0

T centrale maschio girevole cilindrico BSPP nichelato per tubo in pollici

CODICE	ØD	T	ØP	ØC	A	L1	L2	CH	g
OTRT1-4G01	1/4"	G 1/8"	13	13	5,5	19,5	42,5	13	29,0
OTRT1-4G02		G 1/4"	13	16	6,5	22,0	42,5	13	32,0
OTRT38G02	3/8"	G 1/4"	16	16	6,5	23,0	51,5	16	52,0
OTRT38G03		G 3/8"	16	20	7,5	26,0	51,5	16	56,0

**OTRT-N**

T centrale maschio girevole NPT & UNF nichelato per tubo in pollici

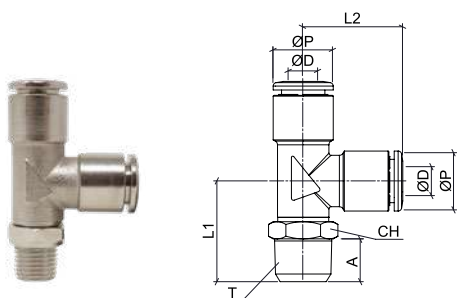


CODICE	ØD	T	ØP	A	L1	L2	CH	g
OTRT532UF1032	5/32"	UNF 10-32"	10	4	17,0	32,0	3/8"	17,0
OTRT532N01		N 1/8"	10	8,5	21,5	39,0	9/16"	28,0
OTRT532N02		N 1/4"	10	10,5	24,0	39,0	9/16"	31,0
OTRT1-4N01	1/4"	N 1/8"	13	8,5	21,5	42,5	9/16"	33,0
OTRT1-4N02		N 1/4"	13	10,5	24,0	42,5	9/16"	36,0
OTRT516N01	5/16"	N 1/8"	14	8,5	21,5	47,0	9/16"	34,0
OTRT516N02		N 1/4"	14	10,5	24,0	47,0	9/16"	37,0
OTRT38N02	3/8"	N 1/4"	16	10,5	26,0	51,5	11/16"	58,0
OTRT38N03		N 3/8"	16	11,5	27,5	51,5	11/16"	61,0
OTRT1-2N02	1/2"	N 1/4"	19	10,5	28,5	62,5	7/8"	75,0
OTRT1-2N03		N 3/8"	19	11,5	29,5	62,5	7/8"	78,0



**OTRST-R**

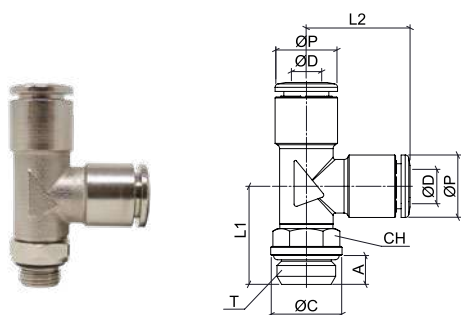
T laterale maschio girevole conico BSPT nichelato per tubo metrico



CODICE	ØD	T	ØP	A	L1	L2	CH
OTRST04R01	4	R 1/8"	10	8	21,0	19,5	13
OTRST04R02		R 1/4"	10	10	23,5	19,5	14
OTRST06R01	6	R 1/8"	12	8	21,0	21,0	13
OTRST06R02		R 1/4"	12	10	23,5	21,0	14
OTRST08R01	8	R 1/8"	14	8	21,0	23,0	13
OTRST08R02		R 1/4"	14	10	23,5	23,0	14
OTRST10R02	10	R 1/4"	16	10	25,5	26,0	16
OTRST10R03		R 3/8"	16	11	27,0	26,0	17
OTRST12R03	12	R 3/8"	19	11	37,0	29,0	20
OTRST12R04		R 1/2"	19	14	40,0	29,0	22

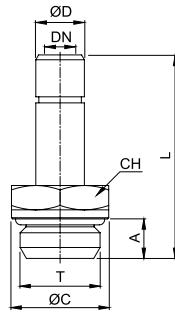
**OTRST-G**

T laterale maschio girevole cilindrico BSPP nichelato per tubo metrico



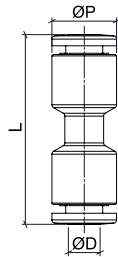
CODICE	ØD	T	ØP	ØC	A	L1	L2	CH
OTRST04G01	4	G 1/8"	10	13	5,5	19,5	19,5	13
OTRST04G02		G 1/4"	10	16	6,5	22,0	19,5	13
OTRST06G01	6	G 1/8"	12	13	5,5	19,5	21,0	13
OTRST06G02		G 1/4"	12	16	6,5	22,0	21,0	13
OTRST08G01	8	G 1/8"	14	13	5,5	19,5	23,0	13
OTRST08G02		G 1/4"	14	16	6,5	22,0	23,0	13
OTRST10G02	10	G 1/4"	16	16	6,5	23,0	26,0	16
OTRST10G03		G 3/8"	16	20	7,5	26,0	26,0	16
OTRST12G03	12	G 3/8"	19	20	7,5	35,0	29,0	20
OTRST12G04		G 1/2"	19	25	9	37,0	29,0	20



**OTRA-G**


Adattatore cilindrico BSPP &amp; metrico nichelato per tubo metrico

CODICE	ØD	T	ØC	A	L	CH	DN	g
OTRA04M5	4	M5x0,8	7	4	24,5	8	2,0	3,0
OTRA04M7		M7x1	10	5,5	27,0	10	2,0	5,0
OTRA04G01		G 1/8"	13	5,5	27,0	13	2,0	10,0
OTRA04G02		G 1/4"	16	6,5	29,5	13	2,0	11,0
OTRA06M5	6	M5x0,8	7	4	25,5	8	2,5	5,0
OTRA06M7		M7x1	10	5,5	27,0	10	4,0	7,0
OTRA06G01		G 1/8"	13	5,5	28,0	13	4,0	9,0
OTRA06G02	G 1/4"	16	6,5	30,5	13	4,0	13,0	
OTRA08G01	8	G 1/8"	13	5,5	29,5	13	6,0	10,0
OTRA08G02		G 1/4"	16	6,5	32,0	13	6,0	13,0
OTRA08G03		G 3/8"	20	7,5	33,5	13	6,0	21,0
OTRA10G01	10	G 1/8"	13	5,5	34,0	13	8,0	17,0
OTRA10G02		G 1/4"	16	6,5	36,5	13	8,0	15,0
OTRA10G03		G 3/8"	20	7,5	37,5	16	8,0	26,0
OTRA12G02	12	G 1/4"	16	6,5	37,5	13	8,5	22,0
OTRA12G03		G 3/8"	20	7,5	41,5	16	10,0	22,0
OTRA12G04		G 1/2"	25	9	43,0	20	10,0	35,0

**OTRUC**


Intermedio diritto nichelato per tubo metrico

CODICE	ØD	ØP	L	g
OTRUC04-532	4	10	29,0	9,0
OTRUC0600	6	12	32,0	12,0
OTRUC08-516	8	14	36,0	16,0
OTRUC1000	10	16	39,0	21,0
OTRUC1200	12	19	44,5	37,0

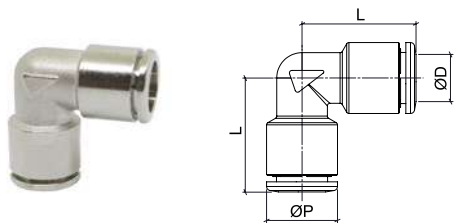
Intermedio diritto nichelato per tubo in pollici

CODICE	ØD	ØP	L	g
OTRUC04-532	5/32"	10	29,0	9,0
OTRUC1-4	1/4"	13	33,0	14,0
OTRUC08-516	5/16"	14	35,5	16,0
OTRUC38	3/8"	16	38,5	21,0
OTRUC1-2	1/2"	19	44,5	37,0



**OTRUL**

## Intermedio a gomito nichelato per tubo metrico



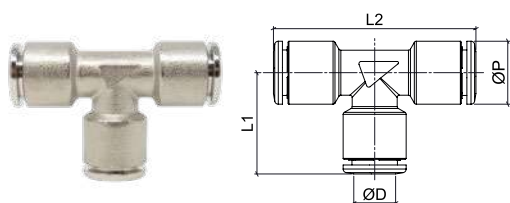
CODICE	ØD	ØP	L	g
OTRUL04-532	4	10	18,0	12,0
OTRUL0600	6	12	19,5	14,0
OTRUL08-516	8	14	22,5	20,0
OTRUL1000	10	16	25,5	26,0
OTRUL1200	12	19	29,0	49,0

## Intermedio a gomito nichelato per tubo in pollici

CODICE	ØD	ØP	L	g
OTRUL04-532	5/32"	10	18,0	12,0
OTRUL1-4	1/4"	13	21,0	19,0
OTRUL08-516	5/16"	14	22,5	20,0
OTRUL38	3/8"	16	25,0	28,0
OTRUL1-2	1/2"	19	29,0	49,0

**OTRUT**

## Intermedio a T nichelato per tubo metrico



CODICE	ØD	ØP	L1	L2	g
OTRUT04-532	4	10	18,0	36,0	17,0
OTRUT0600	6	12	19,5	39,0	20,0
OTRUT08-516	8	14	22,5	45,5	30,0
OTRUT1000	10	16	25,5	50,5	37,0
OTRUT1200	12	19	29,0	58,5	68,0

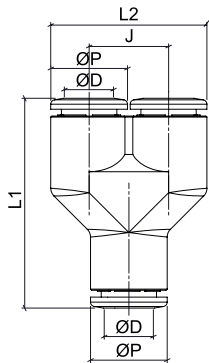
## Intermedio a T nichelato per tubo in pollici

CODICE	ØD	ØP	L1	L2	g
OTRUT04-532	5/32"	10	18,0	36,0	17,0
OTRUT1-4	1/4"	13	21,0	42,0	27,0
OTRUT08-516	5/16"	14	22,5	45,5	30,0
OTRUT38	3/8"	16	25,0	50,5	38,0
OTRUT1-2	1/2"	19	29,0	58,0	59,0



**OTRY**

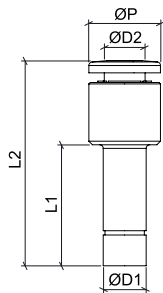
Intermedio a Y nichelato per tubo metrico



CODICE	ØD	ØP	J	L1	L2	g
OTRY04	4	10	10,5	32,0	20,5	
OTRY06	6	12	12,5	35,5	24,5	
OTRY08	8	14	14,5	38,5	28,5	
OTRY10	10	16	17,0	45,5	33,0	
OTRY12	12	19	20,0	52,5	39,0	

**OTRGJ**

Riduzione codolo nichelato per tubo metrico



CODICE	ØD1	ØD2	ØP	L1	L2	g
OTRGJ0604	6	4	10	18,0	30,0	6,0
OTRGJ0804	8	4	10	19,5	32,0	
OTRGJ0806	8	6	12	19,5	32,5	10,0
OTRGJ1006	10	6	12	24,0	37,0	
OTRGJ1008	10	8	14	24,0	38,0	13,0
OTRGJ1208	12	8	14	25,0	39,0	
OTRGJ1210	12	10	16	25,0	41,0	18,0















**Tierre Group S.p.a.**

via dell'Industria, 18 - 20032 Cormano (MI)

Tel. +39 02 663088.1 - Fax +39 02 66304172

[www.tierregroup.com](http://www.tierregroup.com) - [info@tierregroup.com](mailto:info@tierregroup.com)

C.F. e P.IVA 12437570158

Cap. Soc. Euro 120.000,00 i.v. - REA MI-1558390

Catalogo Serie OTR - Ed. 2.0 - 03/23



## LubeTeam Hydraulic S.r.l.

*Administration and Headquarter:*

Via Tufara Scautieri, 6

83018 - San Martino Valle Caudina (AV)

*Office and Warehouse:*

S.S. 7 Appia, Km. 237,00

82011 - Airola BN

ITALY

Tel. +39 0823 950 994

Fax +39 0823 412 546

[www.lubeteam.it](http://www.lubeteam.it) [info@lubeteam.it](mailto:info@lubeteam.it)

Italian VAT / C.F. e P.IVA: 01251720627

Follow us



This document is the property of LubeTeam Hydraulic S.r.l. All data reported here are for the exclusive use of the Receiver. Reproduction is not authorized without writing permission, in all or in part of the content of this document, in accordance to Law 633 art. 171, dated April 22, 1941.

Il presente documento è di proprietà della LubeTeam Hydraulic S.r.l. I dati riportati sono per esclusivo del destinatario. La riproduzione, di tutto o in parte, non è autorizzata senza permesso scritto secondo l'art. 171 della L. 633 del 22 Aprile 1941.