



MP Filter
FHM Series



 HYDRAULIC
COMPONENTS
& FLUID CONTAMINATION
CONTROL

FHM series

Maximum working pressure up to 32 MPa (320 bar) - Flow rate up to 400 l/min



INSTALLATION, SERVICE AND MAINTENANCE MANUAL AND SAFETY INSTRUCTIONS



Please scan or click the QR codes to get updated electronic version of the related document:



FHM006



FHM007



FHM010



FHM050



FHM065



FHM135



FHM320



FHM500

For all the QR codes: *Scan or click me!*

Description

Technical data

High Pressure filters

Manifold

Maximum working pressure up to 32 MPa (320 bar)

Flow rate up to 400 l/min

FHM is a range of high pressure filter for protection of sensitive components in high pressure hydraulic systems in the mobile machines. They are directly connected to the top of the manifold, through the proper flanged interface.

Available features:

- Manifold connections up to Ø30 mm, for a maximum flow rate of 400 l/min
- ISO 4401 CETOP 3 and CETOP 5 interface, for direct mounting on the CETOP valves
- Fine filtration rating, to get a good cleanliness level into the system
- Bypass valve, to relieve excessive pressure drop across the filter media
- Check valve, to protect the system against reverse flow
- Low collapse filter element "N", for use with filters provided with bypass valve
- High collapse filter element "H", for use with filters not provided with bypass valve
- High collapse filter element with external support "S", for filter element protection against the back pressure caused by the check valve in filters not provided with the bypass valve
- Visual, electrical and electronic differential clogging indicators

Common applications:

Delivery lines, in any high pressure industrial equipment

Filter housing materials

- Head
Phosphatized cast iron: FHM 006-007-010
Phosphatized steel: FHM 050-065-135-320-500

- Housing: Phosphatized steel

- Bypass valve: Steel

- Check valve: Steel

Pressure

- Test pressure: 48 MPa (480 bar)
- Min. Burst pressure: 96 MPa (960 bar)
- Pulse pressure fatigue test: 1 000 000 cycles with pressure from 0 to 32 MPa (320 bar)

Bypass valve

- Opening pressure 0.6 MPa (6 bar) ±10%
- Other opening pressures on request.

Filter element features

Filter FHM		Filter element HP	
Δp Element type			
Element media	Construction	Δp Series	Δp
A - Microfiber	Standard	N	20 bar
	High Δp	H	210 bar
	High Δp with external support	S	210 bar
M - Wire mesh	Standard	N	20 bar
<i>Please see ordering code tables to check element Δp series availability based on filter features.</i>			
Flow direction through the filter element:			
From OUT to IN			

Seals

- Standard NBR series A
- Optional FPM series V

Temperature

From -25 °C to +110 °C

Connections

Manifold mounting

Note

FHM filters are provided for vertical mounting

Weights [kg] and volumes [dm³]

Filter series	Weights [kg]					Volumes [dm ³]						
	Length	1	2	3	4	5	Length	1	2	3	4	5
FHM 006		2.17	-	-	-	-		0.12	-	-	-	-
FHM 007		-	4.74	5.95	-	-		-	0.30	0.50	-	-
FHM 010		-	4.74	5.95	-	-		-	0.30	0.50	-	-
FHM 050		5.31	5.68	6.09	6.56	7.74		0.29	0.38	0.48	0.60	0.89
FHM 065		5.47	5.83	7.04	-	-		0.27	0.34	0.56	-	-
FHM 135		8.78	10.38	11.43	-	-		0.49	0.82	1.03	-	-
FHM 320		19.80	21.93	24.22	26.70	-		1.04	1.76	2.53	3.36	-
FHM 500		35.00	39.17	42.69	54.70	60.50		1.63	2.35	2.96	5.11	6.44

Flow rates [l/min]

Filter series	Length	Filter element design - H Series					
		A03	A06	A10	A16	A25	M25
FHM 006	1	9	10	13	14	15	16
	2	13	13	15	16	16	16
FHM 007	3	15	15	16	16	17	17
	2	23	25	32	34	37	38
FHM 010	3	31	33	37	38	39	40

Filter series	Length	Filter element design - N Series						Filter element design - S Series				
		A03	A06	A10	A16	A25	M25	A03	A06	A10	A16	A25
FHM 050	1	38	37	65	67	81	101	28	36	50	52	62
	2	46	50	69	75	89	102	41	44	63	71	85
	3	57	59	76	81	93	103	51	53	71	77	90
	4	68	71	84	86	95	103	62	66	81	82	93
	5	82	83	93	95	98	105	73	75	83	89	97

Filter series	Length	Filter element design - N Series						Filter element design - H Series				
		A03	A06	A10	A16	A25	M25	A03	A06	A10	A16	A25
FHM 065	1	23	30	48	53	71	102	22	23	43	50	67
	2	30	45	59	64	81	103	30	34	56	62	76
	3	52	60	78	82	92	105	51	58	77	81	91
FHM 135	1	61	65	99	104	131	149	46	51	83	86	122
	2	91	96	118	119	155	167	79	92	109	111	134
	3	118	119	144	146	156	168	103	112	130	137	146
FHM 320	1	112	121	187	217	252	312	97	102	156	162	228
	2	200	214	281	293	320	328	161	181	237	241	282
	3	245	267	312	320	325	333	207	233	275	280	306
	4	267	281	315	325	336	341	232	247	279	283	309

Filter series	Length	Filter element design - N Series						Filter element design - S Series				
		A03	A06	A10	A16	A25	M25	A03	A06	A10	A16	A25
FHM 500	1	211	232	281	289	309	394	126	135	208	210	261
	2	242	262	303	308	330	397	187	206	258	266	285
	3	284	294	336	338	357	399	226	230	285	290	315
	4	302	325	346	350	361	401	251	273	314	315	341
	5	325	334	356	361	373	401	296	301	335	338	360

Maximum flow rate for a complete pressure filter with a pressure drop $\Delta p = 1.5$ bar.

The reference fluid has a kinematic viscosity of 30 mm²/s (cSt) and a density of 0.86 kg/dm³.

For different pressure drop or fluid viscosity we recommend to use our selection software available on www.mpfiltri.com.

You can also calculate the right size using the formulas present on the FILTER SIZING paragraph at the beginning of the full catalogue or at the beginning of the filter family brochure.

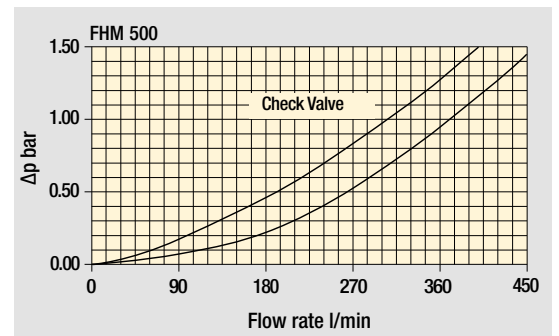
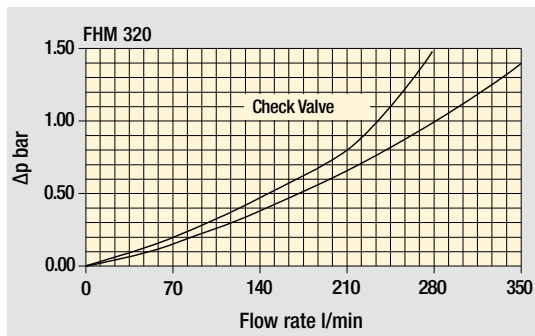
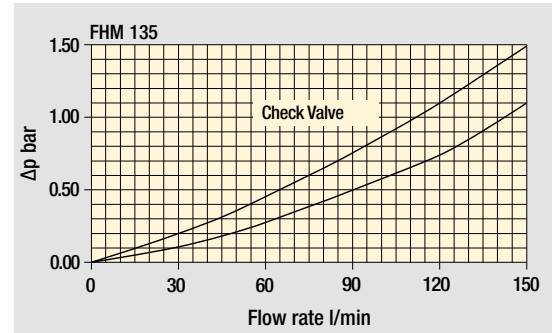
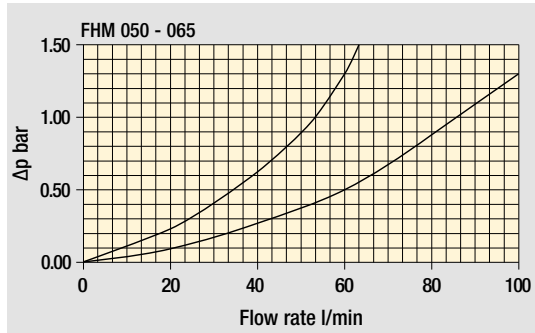
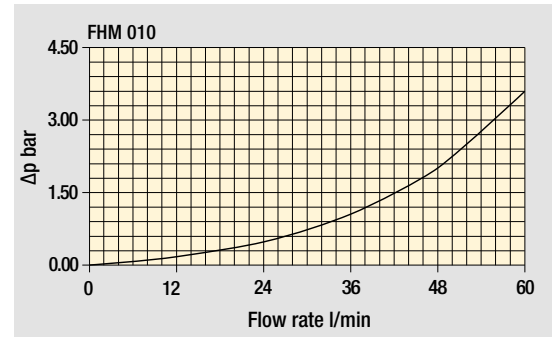
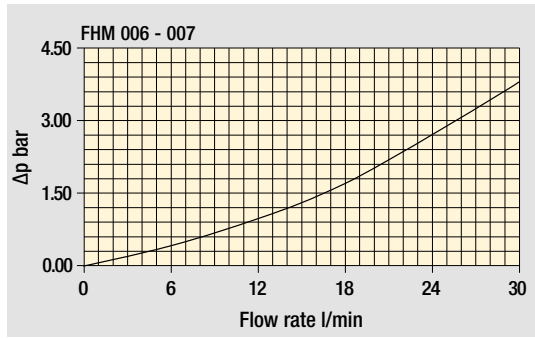
Please, contact our Sales Department for further additional information.

Hydraulic symbols

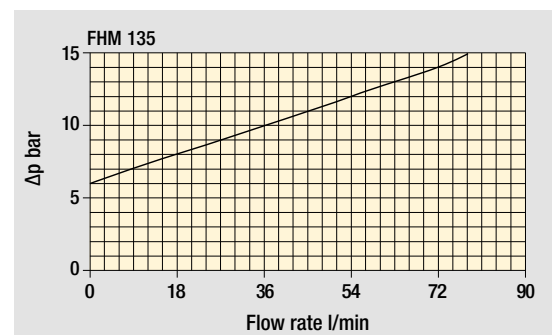
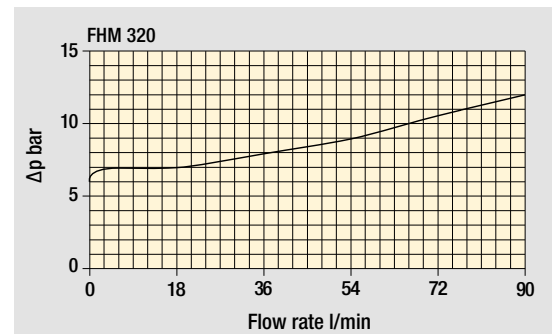
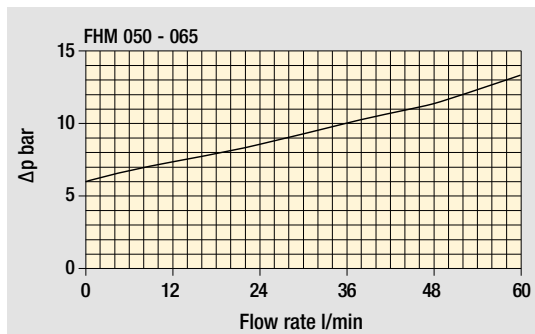
Filter series	Stile S	Stile S	Stile S	Stile B	Stile T	Stile D
FHM 006	•	-	-	-	-	-
FHM 007	•	-	-	-	-	-
FHM 010	-	•	-	-	-	-
FHM 050	-	-	•	•	•	•
FHM 065	-	-	•	•	•	•
FHM 135	-	-	•	•	•	•
FHM 320	-	-	•	•	•	•
FHM 500	-	-	•	•	•	•

Pressure drop

Filter housings Δp pressure drop



Bypass valve pressure drop



The curves are plotted using mineral oil with density of 0.86 kg/dm³ in compliance with ISO 3968. Δp varies proportionally with density.

Designation & Ordering code

COMPLETE FILTER

Series and size				Configuration example: FHM010 2 S V G1 A03 H P01						
FHM006 FHM007 FHM010										
Length	FHM006	FHM007	FHM010							
1	•	-	-							
2	-	•	•							
3	-	•	•							
Valves										
S Without bypass										
Seals										
A NBR										
V FPM										
Connections										
G1 Manifold side "A"										
G2 Manifold side "B"										
Filtration rating (filter media)										
A03 Inorganic microfiber	3 µm	A16 Inorganic microfiber	16 µm						Element Δp	Execution
A06 Inorganic microfiber	6 µm	A25 Inorganic microfiber	25 µm						H 210 bar	P01 MP Filtri standard
A10 Inorganic microfiber	10 µm	M25 Wire mesh	25 µm							Pxx Customized

FILTER ELEMENT

Element series and size				Configuration example: HP065 2 A03 A H P01							
HP011 HP065											
Element length	FHM006	FHM007	FHM010								
2	-	•	•								
3	•	•	•								
Filtration rating (filter media)											
A03 Inorganic microfiber	3 µm	A16 Inorganic microfiber	16 µm						Seals	Element Δp	Execution
A06 Inorganic microfiber	6 µm	A25 Inorganic microfiber	25 µm						A NBR	H 210 bar	P01 MP Filtri standard
A10 Inorganic microfiber	10 µm	M25 Wire mesh	25 µm						V FPM		Pxx Customized

CLOGGING INDICATORS

See page 721

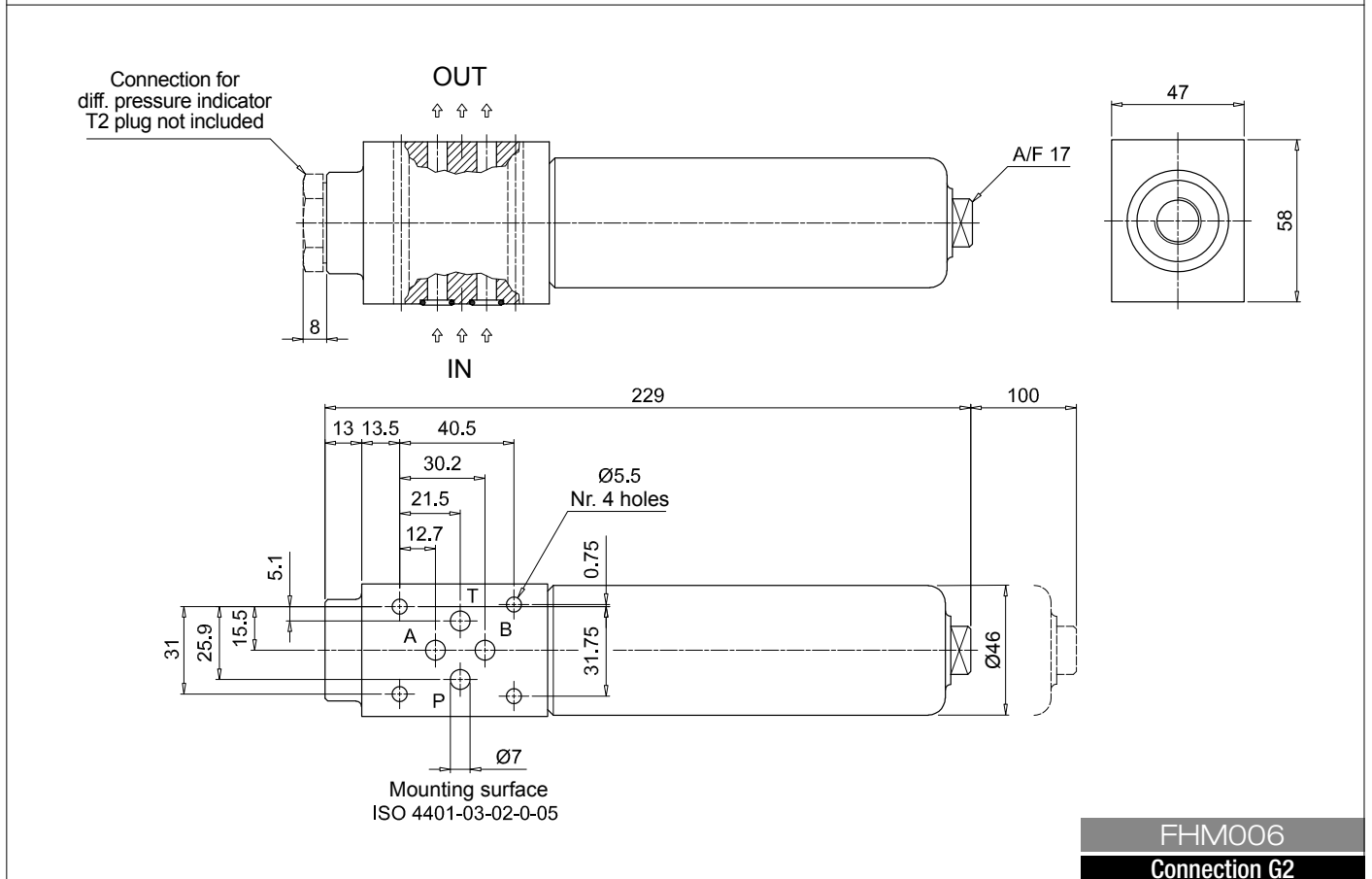
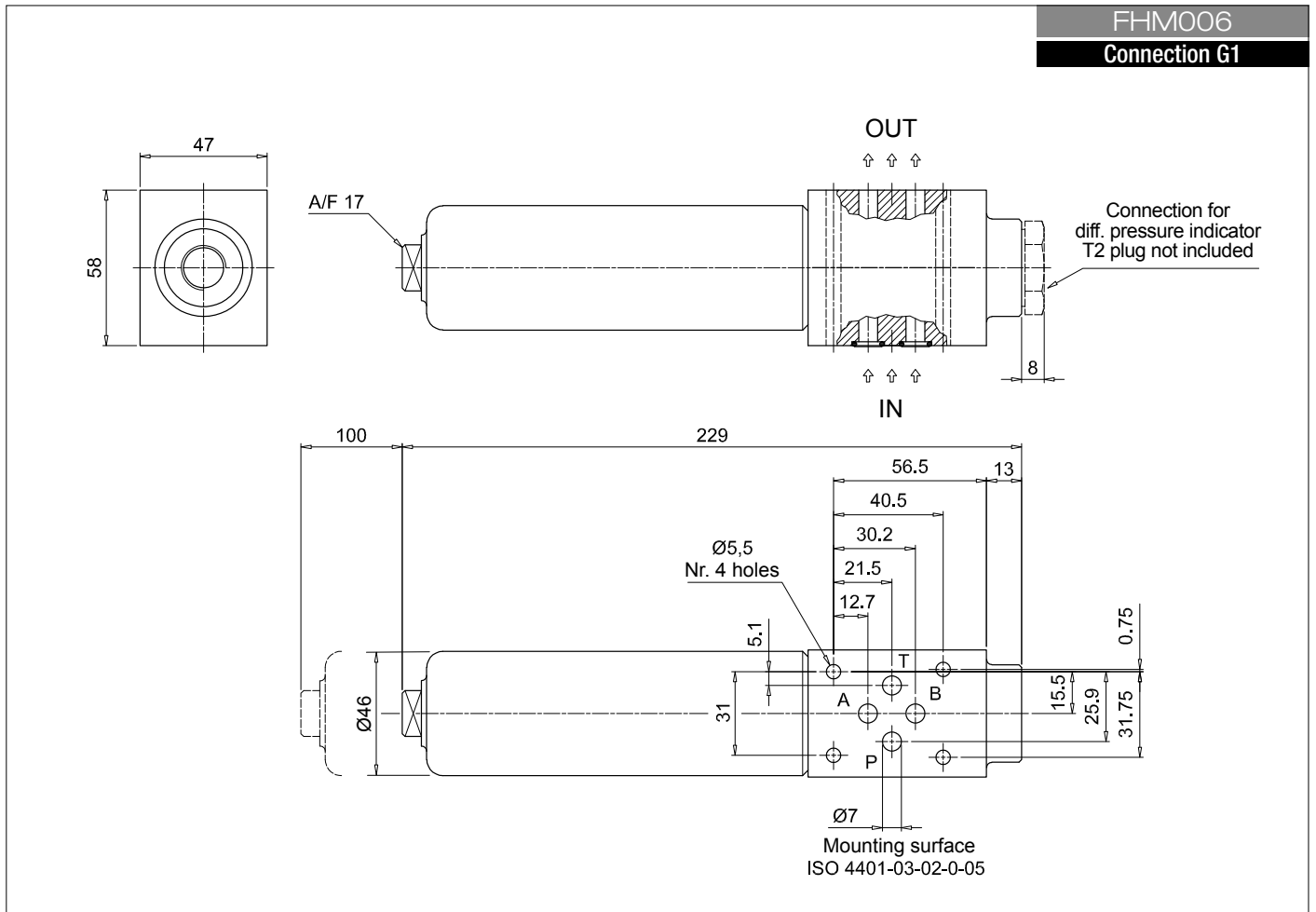
DEA Electrical differential pressure indicator	
DEM Electrical differential pressure indicator	
DEU Electrical differential pressure indicator	
DLA Electrical / visual differential pressure indicator	

DLE Electrical / visual differential pressure indicator	
DTA Electronic differential pressure indicator	
DVA Visual differential pressure indicator	
DVM Visual differential pressure indicator	

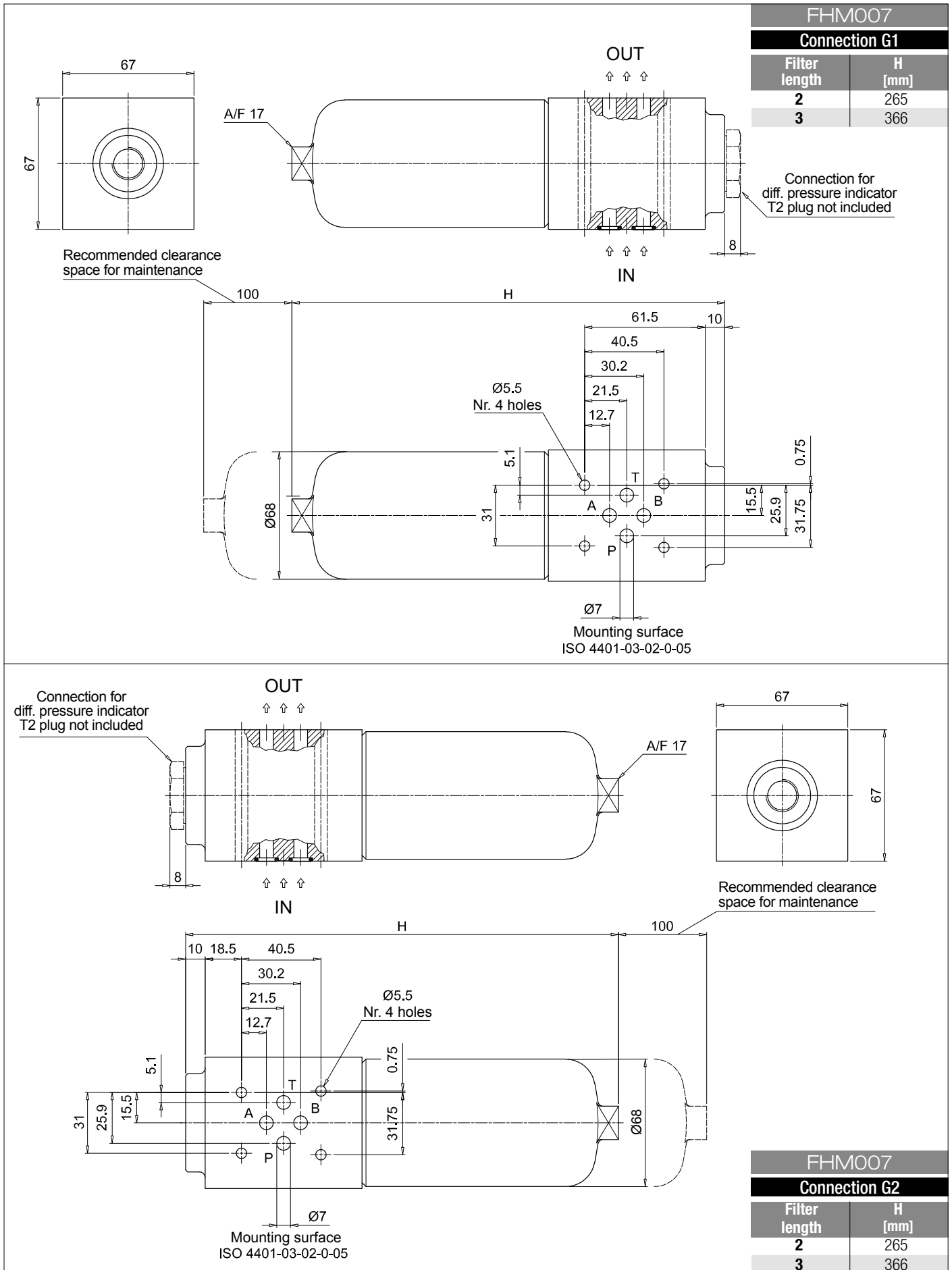
PLUGS

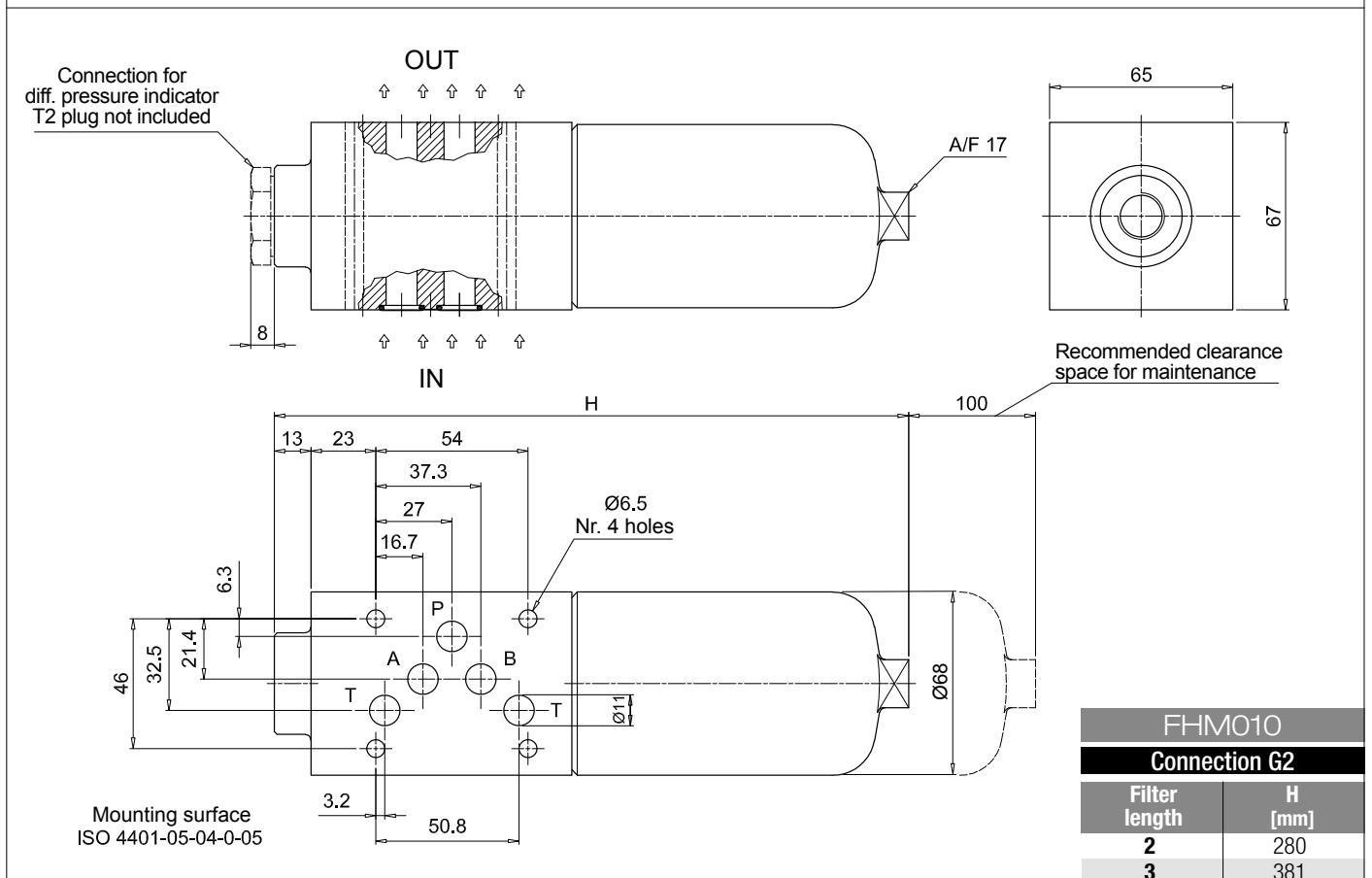
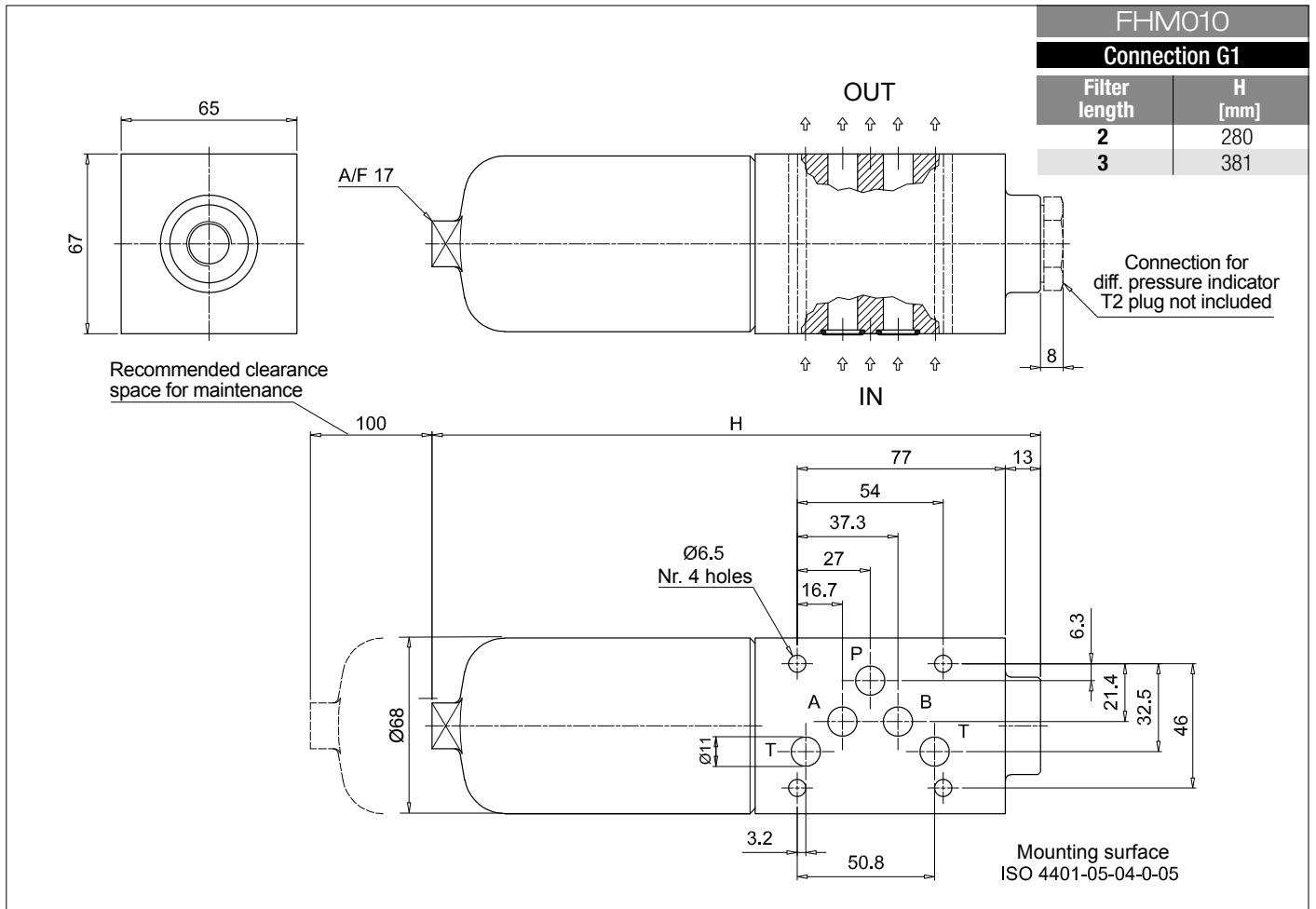
See page 741

T2 Plug (not included)	
-------------------------------	--



Dimensions





FHM FHM050 - FHM065 - FHM135

Designation & Ordering code

COMPLETE FILTER

Series and size				Configuration example: FHM135 3 S A F1 A10 H P01										
FHM050 FHM065 FHM135														
Length	FHM050	FHM065	FHM135											
1	•	•	•											
2	•	•	•											
3	•	•	•											
4	•	-	-											
5	•	-	-											
Valves														
S	Without bypass													
B	With bypass 6 bar													
T	With check valve, without bypass													
D	With check valve, with bypass 6 bar													
Seals														
A	NBR													
V	FPM													
Connections														
F1	Manifold													
Filtration rating (filter media)														
A03	Inorganic microfiber	3 µm												
A06	Inorganic microfiber	6 µm												
A10	Inorganic microfiber	10 µm												
A16	Inorganic microfiber	16 µm												
A25	Inorganic microfiber	25 µm												
M25	Wire mesh	25 µm												
				Valves: FHM050 FHM065-135								Execution		
				Element Δp	S	B	T	D	S	B	T	D	P01	MP Filtri standard
				N	20 bar	-	•	-	•	-	•	-	Pxx	Customized
				H	210 bar	-	-	-	•	-	•	-		
				S	210 bar	•	-	•	-	-	-	-		

FILTER ELEMENT

Element series and size				Configuration example: HP135 3 A10 A H P01											
HP050 HP065 HP135															
Element length	HP050	HP065	HP135												
1	•	•	•												
2	•	•	•												
3	•	•	•												
4	•	-	-												
5	•	-	-												
Filtration rating (filter media)															
A03	Inorganic microfiber	3 µm													
A06	Inorganic microfiber	6 µm													
A10	Inorganic microfiber	10 µm													
A16	Inorganic microfiber	16 µm													
A25	Inorganic microfiber	25 µm													
M25	Wire mesh	25 µm													
				Seals								Execution			
				A	NBR								P01	MP Filtri standard	
				V	FPM								Pxx	Customized	
				Element Δp	HP050	HP065	HP135								
				N	20 bar	•	•	•							
				H	210 bar	-	•	•							
				S	210 bar	•	-	-							

CLOGGING INDICATORS

See page 721

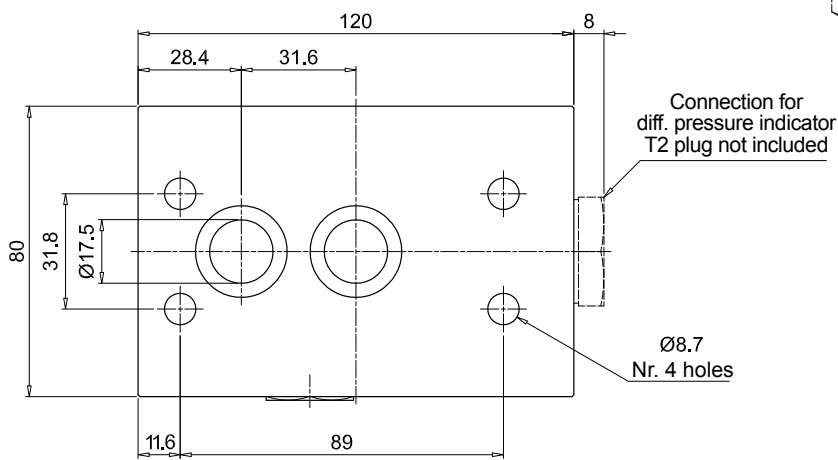
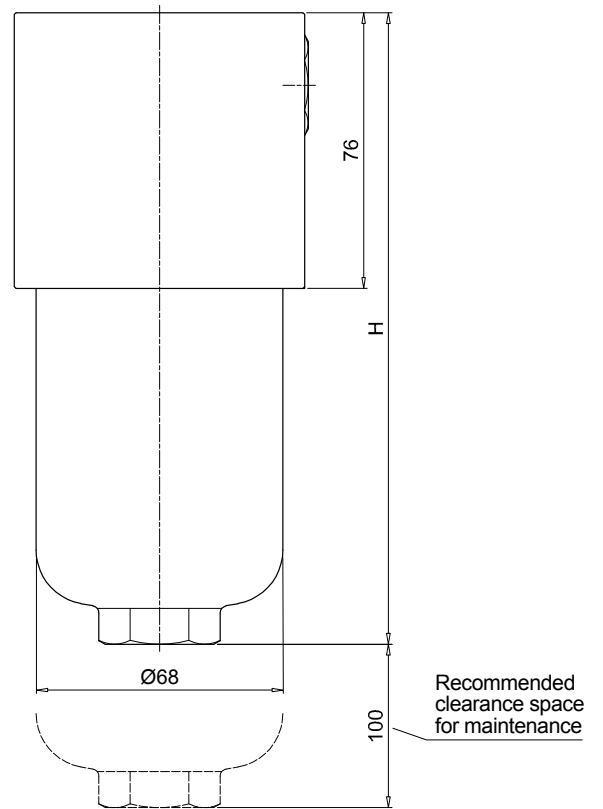
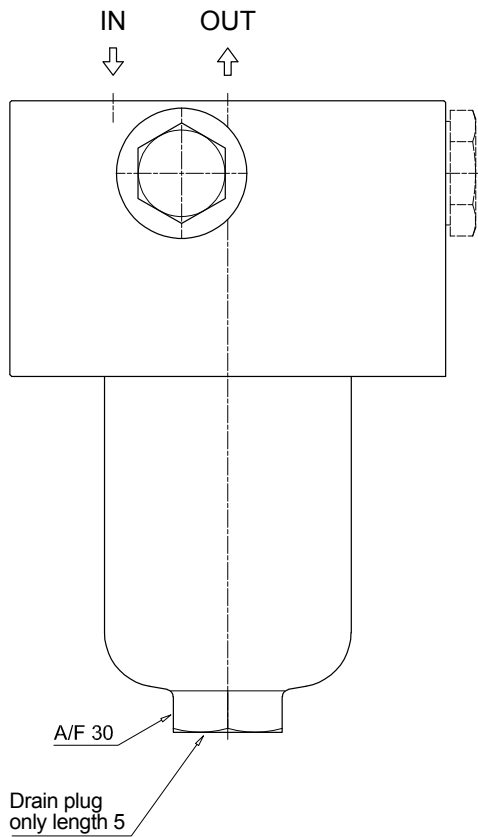
DEA	Electrical differential pressure indicator	DLE	Electrical / visual differential pressure indicator
DEM	Electrical differential pressure indicator	DTA	Electronic differential pressure indicator
DEU	Electrical differential pressure indicator	DVA	Visual differential pressure indicator
DLA	Electrical / visual differential pressure indicator	DVM	Visual differential pressure indicator

PLUGS

See page 741

T2	Plug (not included)
-----------	---------------------

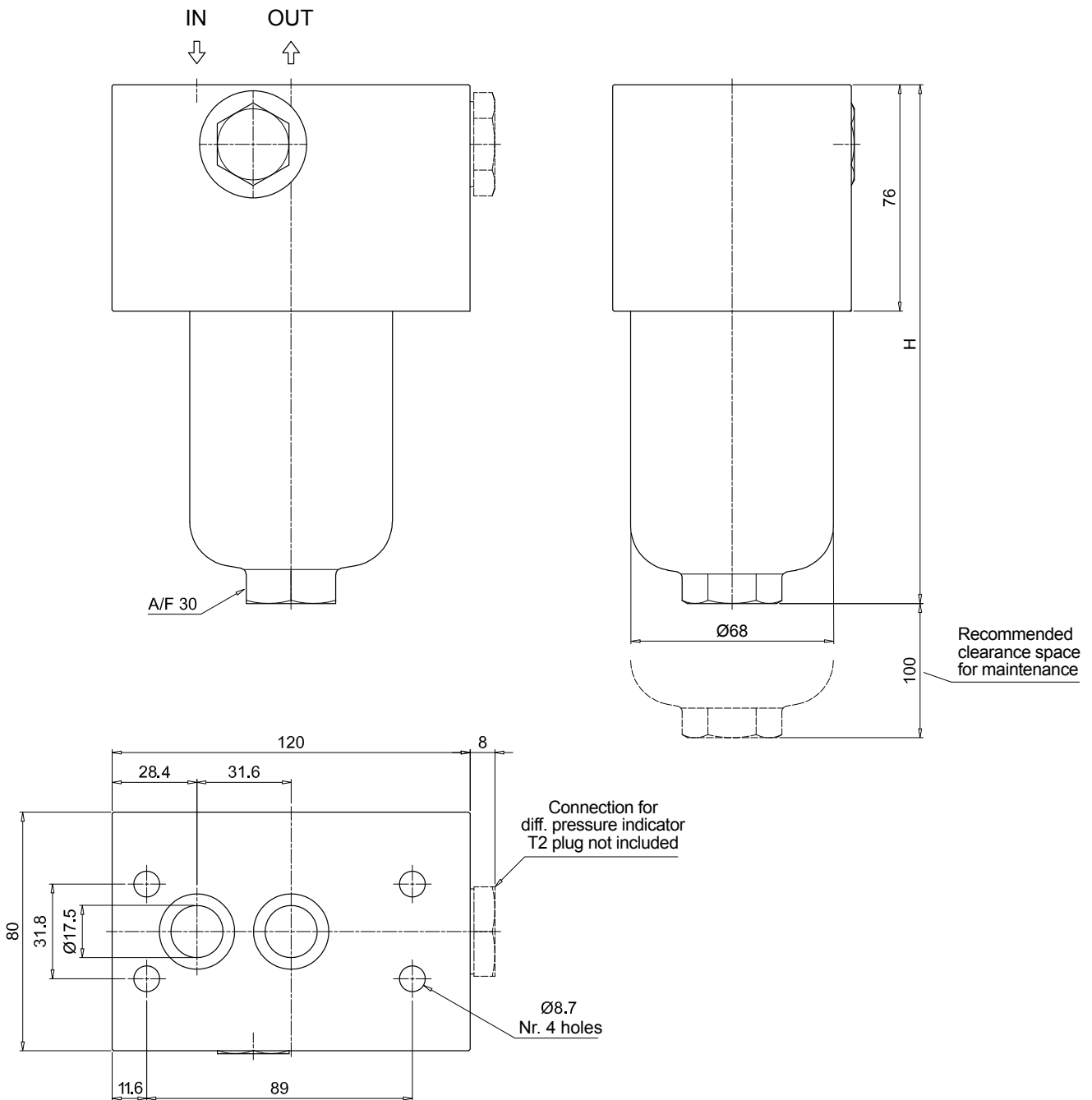
FHM050	
Filter length	H [mm]
1	154
2	191
3	233
4	281
5	403



Dimensions

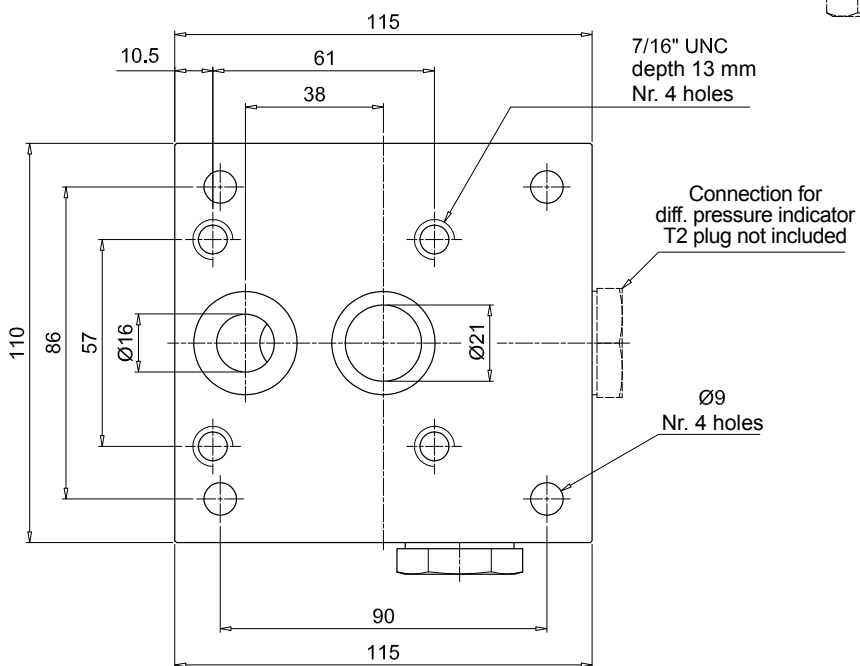
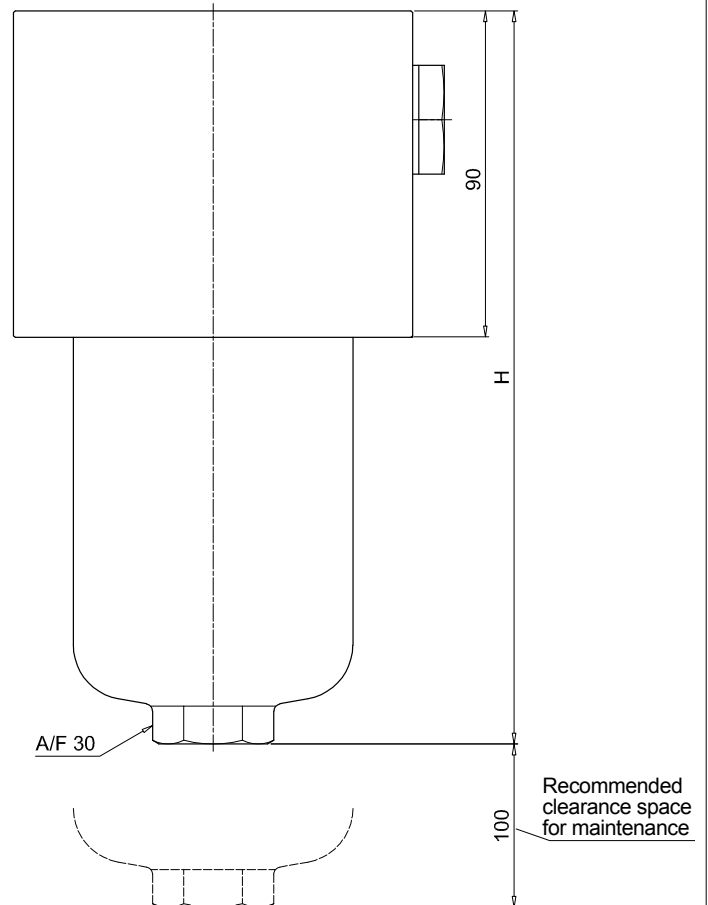
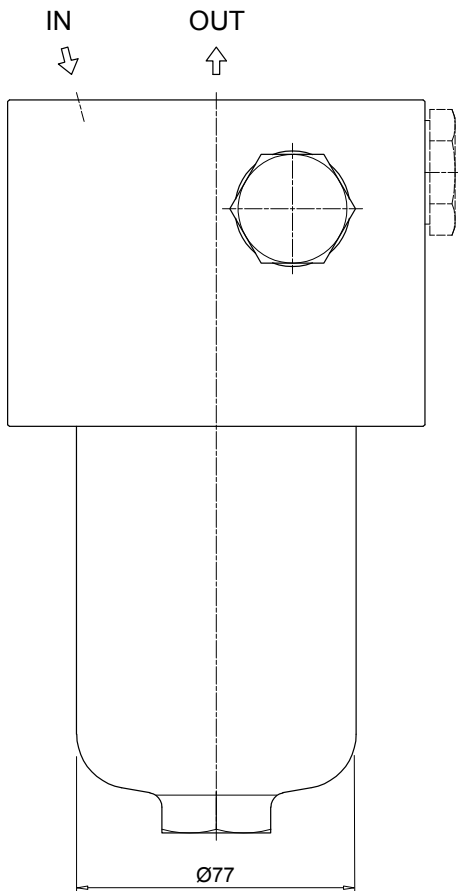
FHM065

Filter length	H [mm]
1	162
2	193
3	295



FHM135

Filter length	H [mm]
1	202
2	315
3	390



FHM FHM320 - FHM500

Designation & Ordering code

COMPLETE FILTER

Series and size FHM320 FHM500			Configuration example: FHM320 4 D A F1 A06 N P01							
Length	FHM320	FHM500								
1	•	•								
2	•	•								
3	•	•								
4	•	•								
5	-	•								
Valves										
S	Without bypass									
B	With bypass 6 bar									
T	With check valve, without bypass									
D	With check valve, with bypass 6 bar									
Seals										
A	NBR									
V	FPM									
Connections										
F1	Manifold									
Filtration rating (filter media)										
A03	Inorganic microfiber	3 µm	A16	Inorganic microfiber	16 µm					
A06	Inorganic microfiber	6 µm	A25	Inorganic microfiber	25 µm					
A10	Inorganic microfiber	10 µm	M25	Wire mesh	25 µm					

Element Δp	Valves:	FHM320				FHM500				Filter length				
		S	B	T	D	S	B	T	D	1	2	3	4	5
N 20 bar	-	•	-	•	-	•	-	•		•	•	•	•	•
H 210 bar	•	-	•	-	-	-	-	-					•	•
S 210 bar	-	-	-	-	•	-	•	-						

Execution	1	2	3	4	5
P01 MP Filtri standard	•	•	•	•	•
P02 Maintenance from the bottom of the housing				•	•
Pxx Customized					

FILTER ELEMENT

Element series and size HP320 HP500			Configuration example: HP320 4 A06 A N P01						
Element length	HP320	HP500							
1	•	•							
2	•	•							
3	•	•							
4	•	•							
5		•							
Filtration rating (filter media)									
A03	Inorganic microfiber	3 µm							
A06	Inorganic microfiber	6 µm							
A10	Inorganic microfiber	10 µm							
A16	Inorganic microfiber	16 µm							
A25	Inorganic microfiber	25 µm							
M25	Wire mesh	25 µm							
Seals			Element Δp				Execution		
A	NBR		N 20 bar	•	•	P01 MP Filtri standard			
V	FPM		H 210 bar	•	-	Pxx Customized			
			S 210 bar	-	•				

CLOGGING INDICATORS

See page 721

DEA Electrical differential pressure indicator	DLE Electrical / visual differential pressure indicator
DEM Electrical differential pressure indicator	DTA Electronic differential pressure indicator
DEU Electrical differential pressure indicator	DVA Visual differential pressure indicator
DLA Electrical / visual differential pressure indicator	DVM Visual differential pressure indicator

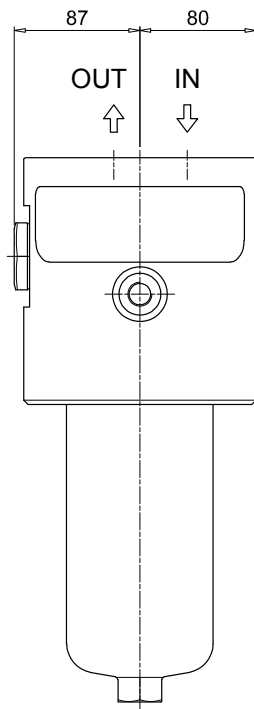
PLUGS

See page 741

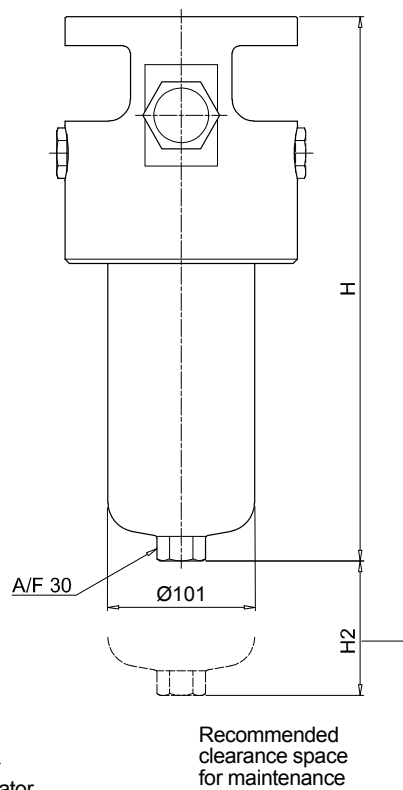
T2 Plug (not included)

FHM320

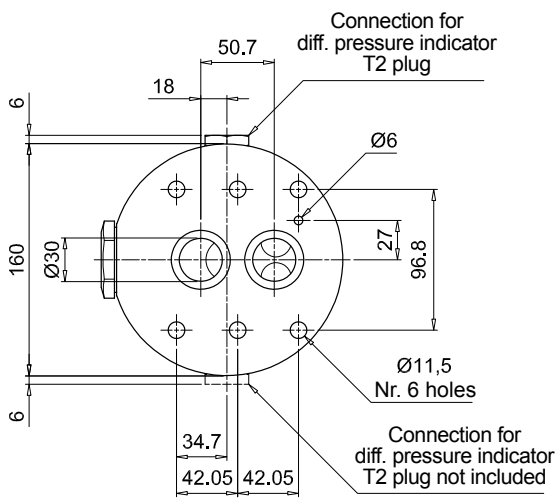
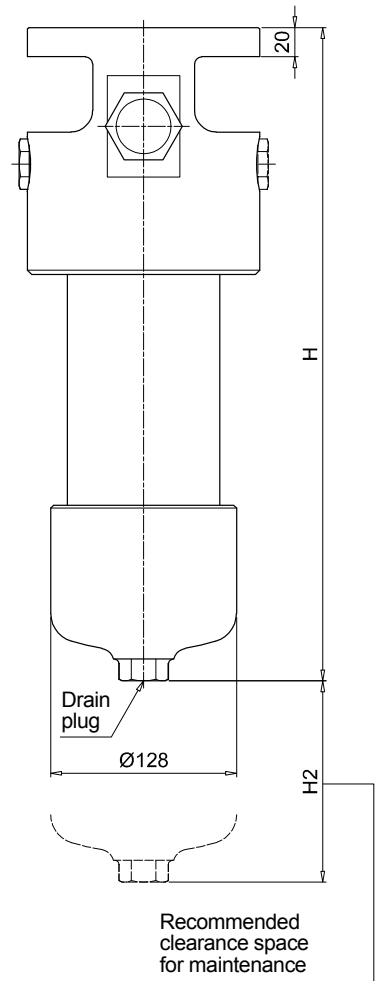
Filter length	H [mm]	H2 [mm]	
		Execution P01	Execution P02
1	293	150	-
2	416	150	-
3	548	150	-
4	702	150	550



Length 1 - 2 - 3

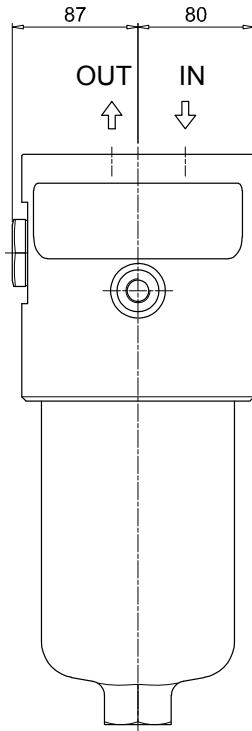


Length 4

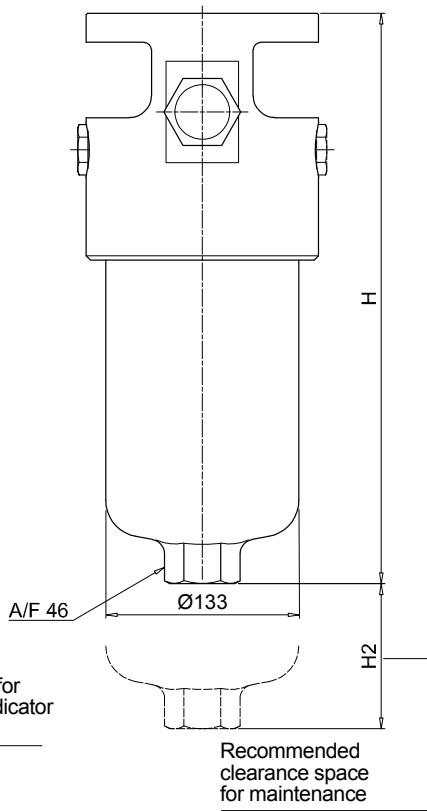


FHM500

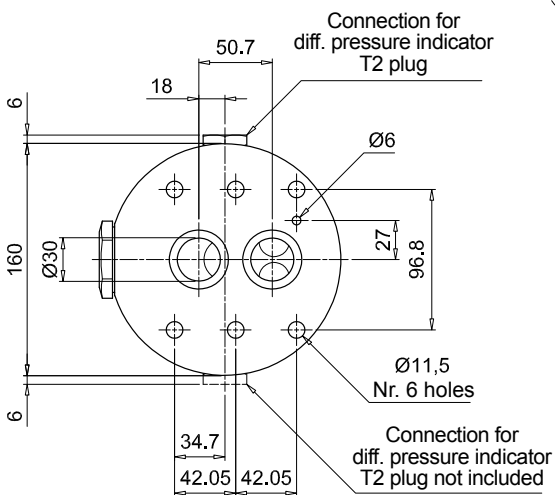
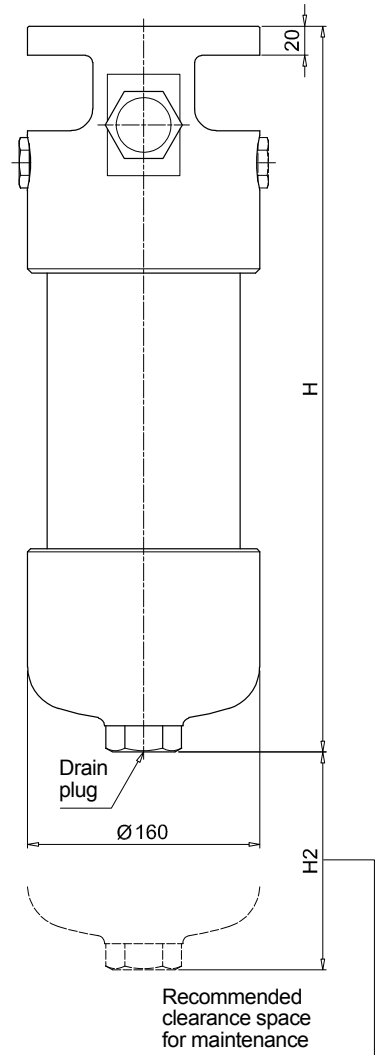
Filter length	H [mm]	H2 [mm]	
		Execution P01	Execution P02
1	355	150	-
2	445	150	-
3	521	150	-
4	679	150	480
5	845	150	650



Length 1 - 2 - 3



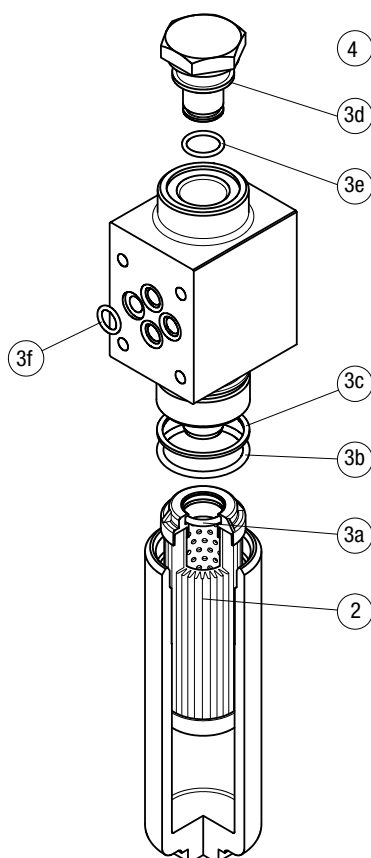
Length 4 - 5



FHM SPARE PARTS

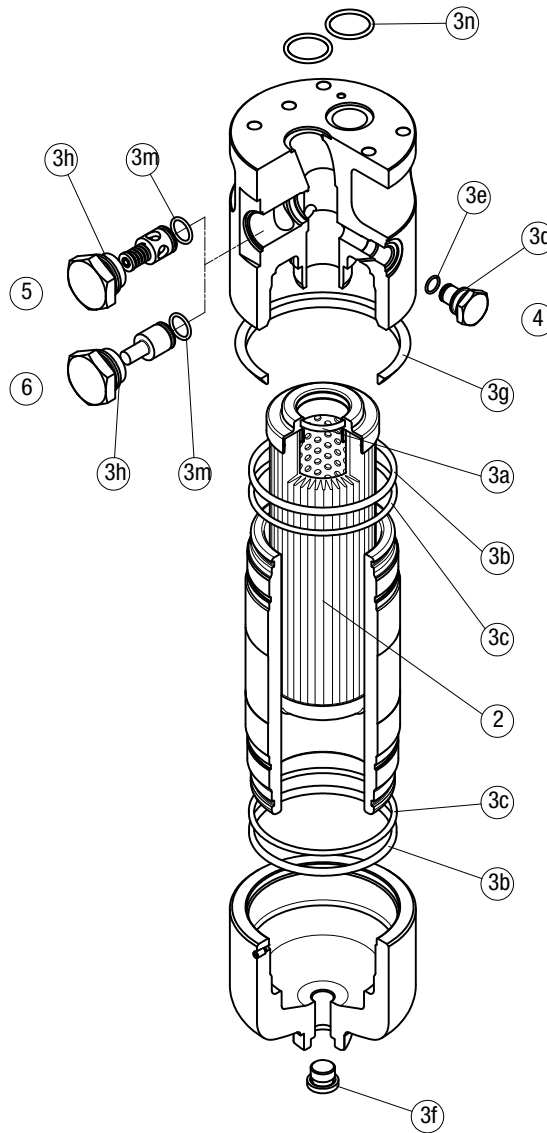
Order number for spare parts

FHM 006 - 007 - 010



Item:	Q.ty: 1 pc. ②	Q.ty: 1 pc. ③ (3a ÷ 3f)		Q.ty: 1 pc. ④	
Filter series	Filter element	Seal Kit code number		Indicator connection plug	
		NBR	FPM	NBR	FPM
FHM 006	See order table	02050324	02050325	T2H	T2V
FHM 007		02050600	02050601		
FHM 010		02050320	02050321		

FHM 050 - 065 - 135 - 320 - 500



Item:	Q.ty: 1 pc.	Q.ty: 1 pc.		Q.ty: 1 pc.		Q.ty: 1 pc.		Q.ty: 1 pc.	
Filter series	Filter element	Seal Kit code number		Indicator connection plug		Bypass assembly		Non-bypass assembly	
		NBR	FPM	NBR	FPM	NBR	FPM	NBR	FPM
FHM 050	See order table	02050410	02050411			02001400	02001401	02001402	02001403
FHM 065		02050268	02050279			02001400	02001401	02001402	02001403
FHM 135		02050271	02050282	T2H	T2V	02001404	02001405	02001406	02001407
FHM 320		02050275	02050286			02001408	02001409	02001410	02001411
FHM 500		02050332	02050333			02001408	02001409	02001410	02001411

LubeTeam Hydraulic S.r.l.

Administration and Headquarter:

Via Tufara Scautieri, 6

83018 - San Martino Valle Caudina (AV)

Office and Warehouse:

S.S. 7 Appia, Km. 237,00

82011 - Airola BN

ITALY

Tel. +39 0823 950 994

Fax +39 0823 412 546

www.lubeteam.it info@lubeteam.it

Italian VAT / C.F. e P.IVA: 01251720627

Follow us



This document is the property of LubeTeam Hydraulic S.r.l. All data reported here are for the exclusive use of the Receiver. Reproduction is not authorized without writing permission, in all or in part of the content of this document, in accordance to Law 633 art. 171, dated April 22, 1941.

Il presente documento è di proprietà della LubeTeam Hydraulic S.r.l. I dati riportati sono per esclusivo del destinatario. La riproduzione, di tutto o in parte, non è autorizzata senza permesso scritto secondo l'art. 171 della L. 633 del 22 Aprile 1941.