



MP Filter
LMD 211
Series



 HYDRAULIC
COMPONENTS
& FLUID CONTAMINATION
CONTROL

LMD 211 series

Maximum working pressure up to 6 MPa (60 bar) - Flow rate up to 200 l/min



LMD 211 GENERAL INFORMATION

Description

Technical data

Low & Medium Pressure filters

Duplex

Maximum working pressure up to 6 MPa (60 bar)

Flow rate up to 200 l/min

LMD211 is a range of versatile low pressure duplex filter with integrated changeover function to allow the filter element replacement without the system shut-down.

They are directly connected to the lines of the system through the hydraulic fittings.

Available features:

- Female threaded connections up to 1 1/2" and flanged connections up to 1 1/2", for a maximum flow rate of 200 l/min
- Fine filtration rating, to get a good cleanliness level into the system
- Water removal elements, to remove the free water from the hydraulic fluid. For further information, see the Contamination Management document and the dedicate leaflet.
- Balancing valve integrated in the changeover lever, to equalize the housing pressure before the switch
- Bypass valve, to relieve excessive pressure drop across the filter media
- Vent ports, to avoid air trapped into the filter going into the system
- Drain ports, to remove the fluid from the housing prior the maintenance work
- Optional sampling ports, to get samples of fluid or to connect additional instrument to the system
- Visual, electrical and electronic differential clogging indicators

Common applications:

- Systems where shut-down causes high costs
- Systems where shut-down causes safety issues

Filter housing materials

- Head: Aluminium
- Bowl: Cataphoretic painted steel
- Bypass valve: AISI 304 - Polyamide

Pressure

- Test pressure: 9 MPa (90 bar)
- Min. Burst pressure: 18 MPa (180 bar)
- Pulse pressure fatigue test: 1 000 000 cycles with pressure from 0 to 6 MPa (60 bar)

Bypass valve

- Opening pressure 0.35 MPa (3.5 bar) $\pm 10\%$
- Other opening pressures on request.

Filter element features

Filter LMD211		Filter element CU	
Δp Element type			
Element media	Construction	Δp Series	Δp
A - Microfiber	Standard	N	20 bar
WA - Water absorber microfiber	Standard	N	20 bar
M - Wire mesh	Standard	N	20 bar
P - Paper	Standard	N	20 bar

Please see ordering code tables to check element Δp series availability based on filter features.

Flow direction through the filter element:
From OUT to IN

Seals

- Standard NBR series A
- Optional FPM series V

Connections

Inlet/Outlet In-Line

Temperature

From -25° C to +110° C

Note

LMD 211 filters are provided for vertical mounting

Weights [kg] and volumes [dm³]

Filter series	Weights [kg]			Volumes [dm ³]				
	Length	1	2	3	Length	1	2	3
LMD 211		9.5	11.2	12.8		4.1	4.6	5.3

GENERAL INFORMATION LMD 211

Flow rates [l/min]

Filter series	Length	Filter element design - N Series									
		A03	A06	A10	A16	A25	M25	M60	M90	P10	P25
LMD 211	1	90	95	140	147	156	191	192	192	177	181
	2	113	121	158	162	173	192	192	193	181	183
	3	131	146	166	169	177	193	194	194	184	187

Maximum flow rate for a complete low and medium pressure filter with a pressure drop $\Delta p = 0.7$ bar.

The reference fluid has a kinematic viscosity of 30 mm²/s (cSt) and a density of 0.86 kg/dm³.

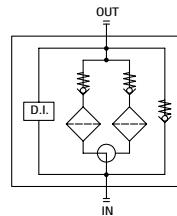
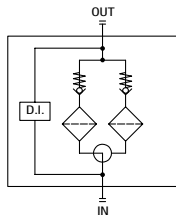
For different pressure drop or fluid viscosity we recommend to use our selection software available on www.mpfiltri.com.

You can also calculate the right size using the formulas present on the FILTER SIZING paragraph at the beginning of the full catalogue or at the beginning of the filter family brochure.

Please, contact our Sales Department for further additional information.

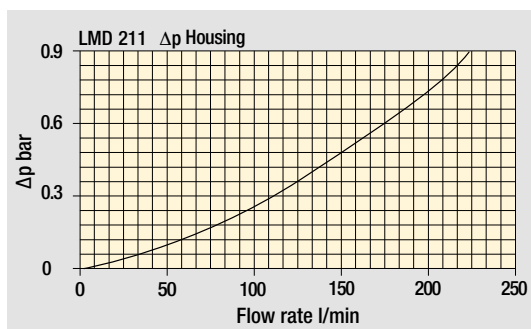
Hydraulic symbols

Filter series	Style S	Style B
LMD 211	•	•

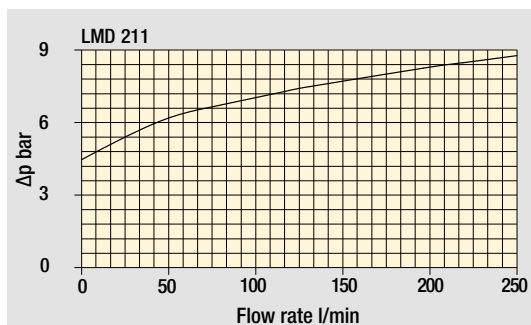


Pressure drop

Filter housings Δp pressure drop



Bypass valve pressure drop



The curves are plotted using mineral oil with density of 0.86 kg/dm³ in compliance with ISO 3968. Δp varies proportionally with density.

LMD 211

Designation & Ordering code

COMPLETE FILTER

Series and size **LMD211** Configuration example: **LMD211** **3** **B** **A** **C** **6** **A10** **N** **P01**

Length
1 | **2** | **3** |

Bypass valve
S Without bypass | **B** With bypass 3.5 bar

Seals and treatments
A NBR
V FPM

Connections
C G 1 1/2"
F 1 1/2" NPT
I SAE 24 - 1 7/8" - 12 UN
L 1 1/2" SAE 3000 psi/M + G 1 1/4"
M 1 1/2" SAE 3000 psi/UNC + 1 1/4" NPT
N 1 1/2" SAE 3000 psi/UNC + SAE 20 - 1 5/8" UN

Connection for differential pressure indicator
6 With plugged connection

Filtration rating (filter media)

A03 Inorganic microfiber 3 µm	M25 Wire mesh 25 µm
A06 Inorganic microfiber 6 µm	M60 Wire mesh 60 µm
A10 Inorganic microfiber 10 µm	M90 Wire mesh 90 µm
A16 Inorganic microfiber 16 µm	P10 Resin impregnated paper 10 µm
A25 Inorganic microfiber 25 µm	P25 Resin impregnated paper 25 µm

WA025 Water absorber inorganic microfiber 25 µm

Element Δp
N 20 bar

Execution
P01 MP Filtri standard
Pxx Customized

FILTER ELEMENT

Element series and size **CU210** Configuration example: **CU210** **3** **A10** **A** **N** **P01**

Element length
1 | **2** | **3** |

Filtration rating (filter media)

A03 Inorganic microfiber 3 µm	M25 Wire mesh 25 µm
A06 Inorganic microfiber 6 µm	M60 Wire mesh 60 µm
A10 Inorganic microfiber 10 µm	M90 Wire mesh 90 µm
A16 Inorganic microfiber 16 µm	P10 Resin impregnated paper 10 µm
A25 Inorganic microfiber 25 µm	P25 Resin impregnated paper 25 µm

WA025 Water absorber inorganic microfiber 25 µm

Seals and treatments
A NBR
V FPM

Element Δp
N 20 bar

Execution
P01 MP Filtri standard
Pxx Customized

CLOGGING INDICATORS

See page 720

DEA Electrical differential pressure indicator

DEM Electrical differential pressure indicator

DEU Electrical differential pressure indicator

DLA Electrical / visual differential pressure indicator

DLE Electrical / visual differential pressure indicator

DTA Electronic differential pressure indicator

DVA Visual differential pressure indicator

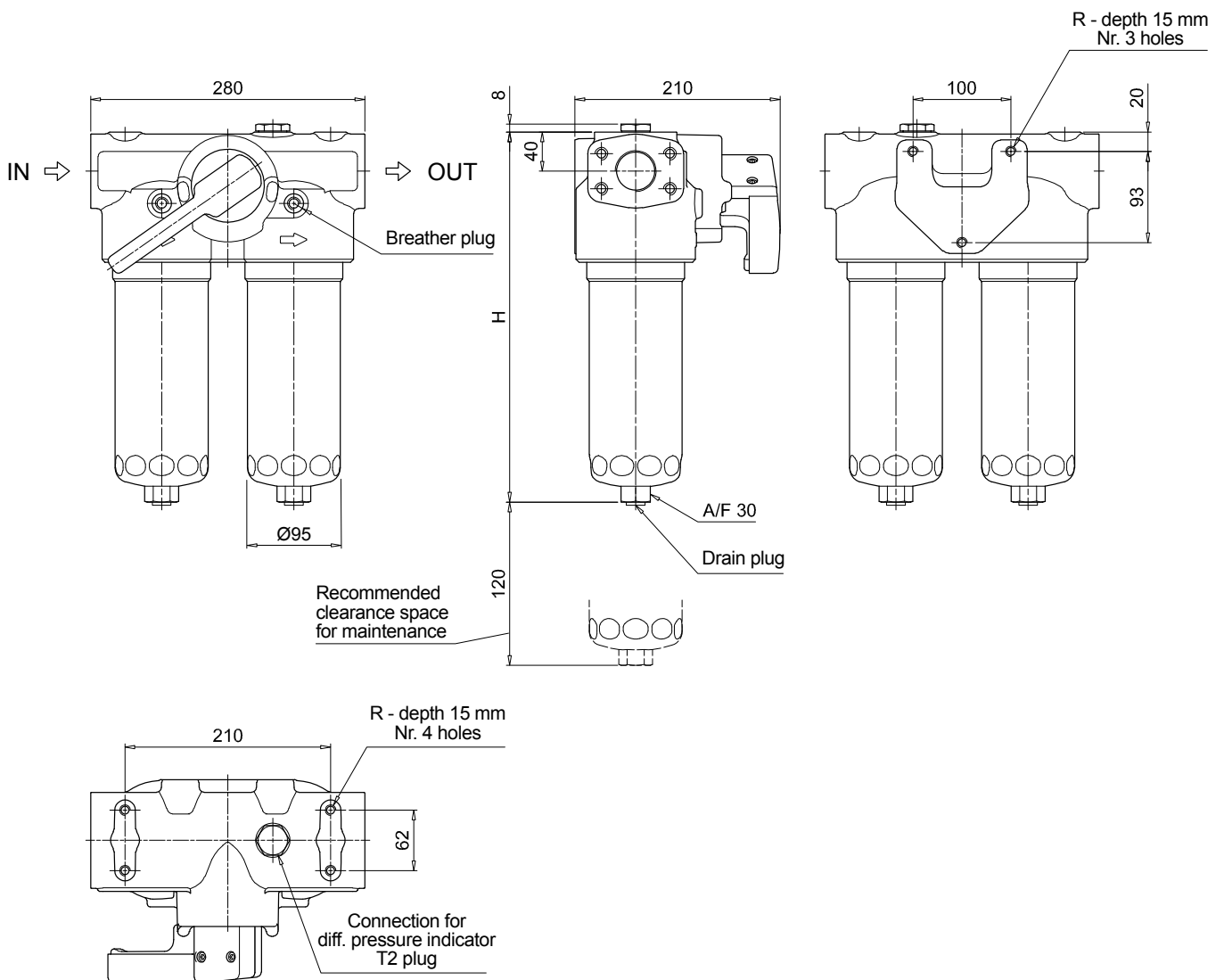
DVM Visual differential pressure indicator

PLUGS

See page 741

T2 Plug

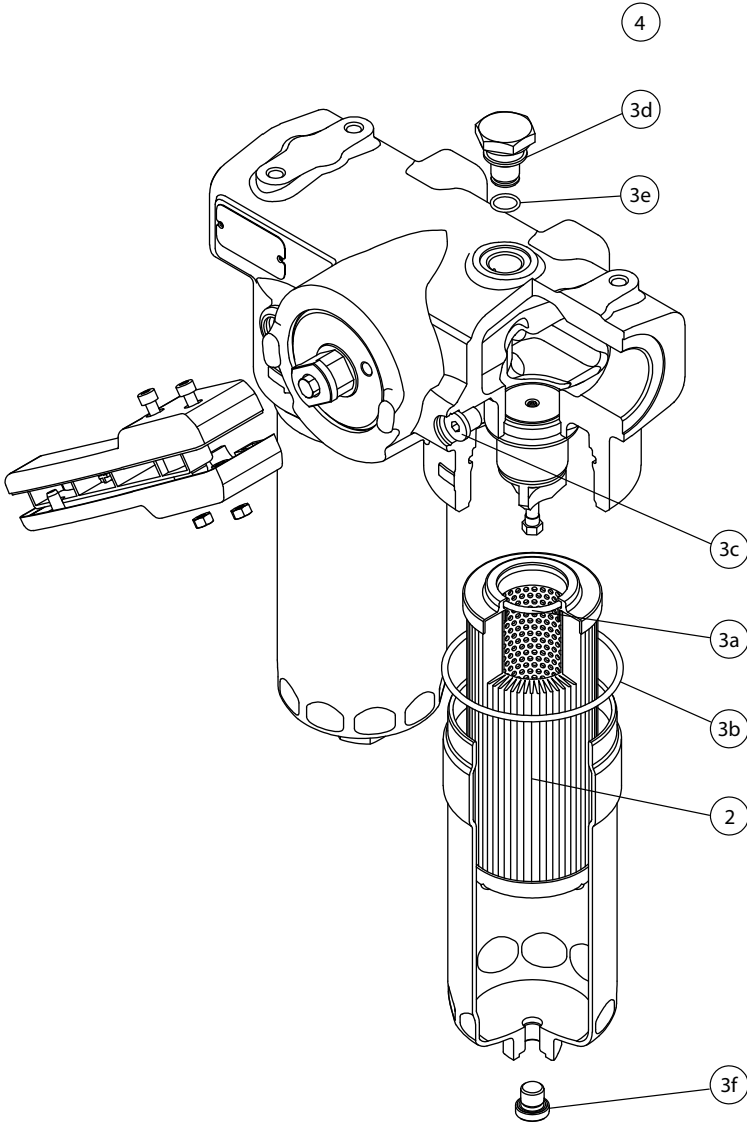
LMD211	
Filter length	H [mm]
1	383
2	513
3	651
Connections	R
C	M10
F - I	3/8" UNC
L	M10
M - N	3/8" UNC



LMD 211 SPARE PARTS

Order number for spare parts

LMD 211



Item:	Q.ty: 1 pc.		Q.ty: 1 pc.		Q.ty: 2 pcs.	
Filter series	Filter element	Seal Kit code number		Indicator connection plug		
		NBR	FPM	NBR	FPM	
LDD	See order table	02050671	02050672	T2H	T2V	

LubeTeam Hydraulic S.r.l.

Administration and Headquarter:

Via Tufara Scautieri, 6
83018 - San Martino Valle Caudina (AV)

Office and Warehouse:

S.S. 7 Appia, Km. 237,00

82011 - Airola BN

ITALY

Tel. +39 0823 950 994

Fax +39 0823 412 546

www.lubeteam.it info@lubeteam.it

Italian VAT / C.F. e P.IVA: 01251720627

Follow us



This document is the property of LubeTeam Hydraulic S.r.l. All data reported here are for the exclusive use of the Receiver. Reproduction is not authorized without writing permission, in all or in part of the content of this document, in accordance to Law 633 art. 171, dated April 22, 1941.

Il presente documento è di proprietà della LubeTeam Hydraulic S.r.l. I dati riportati sono per esclusivo del destinatario. La riproduzione, di tutto o in parte, non è autorizzata senza permesso scritto secondo l'art. 171 della L. 633 del 22 Aprile 1941.