



MP Filter  
LMP 400-401  
Series



 HYDRAULIC  
COMPONENTS  
& FLUID CONTAMINATION  
CONTROL

# LMP 400-401 series

Maximum working pressure up to 6 MPa (60 bar) - Flow rate up to 780 l/min



## Description

### Low & Medium Pressure filters

**Maximum working pressure up to 6 MPa (60 bar)**  
**Flow rate up to 780 l/min**

LMP400 is a range of low pressure filter with large filtration surface mainly suitable for lubrication, off-line filtration of the reservoirs and filtration equipment.

They are directly connected to the lines of the system through the hydraulic fittings.

#### Available features:

- Female threaded connections up to 2" and flanged connections up to 2 1/2", for a maximum flow rate of 780 l/min
- In line or 90° connections, to meet any type of application
- Base-mounting design also available, for ease of the replacement of the filter element
- Fine filtration rating, to get a good cleanliness level into the system
- Water removal elements, to remove the free water from the hydraulic fluid. For further information, see the Contamination Management document and the dedicate leaflet.
- Bypass valve, to relieve excessive pressure drop across the filter media
- Vent ports, to avoid air trapped into the filter going into the system
- Drain ports, to remove the fluid from the housing prior the maintenance work
- Visual, electrical and electronic differential clogging indicators

#### Common applications:

- Off-line filtration of reservoirs
- Filtration systems

## Technical data

### Filter housing materials

- Head: Anodized Aluminium
- Housing: Anodized Aluminium
- Bypass valve: Steel

### Pressure LMP 400-401 length 2 -3 - 4

- Working pressure: 6 MPa (60 bar)
- Test pressure: 9 MPa (90 bar)
- Min. Burst pressure: 18 MPa (180 bar)
- Pulse pressure fatigue test: 1 000 000 cycles with pressure from 0 to 6 MPa (60 bar)

### Pressure LMP 400-401 length 5 - 6

- Working pressure: 5 MPa (50 bar)
- Test pressure: 7.5 MPa (75 bar)
- Min. Burst pressure: 15 MPa (150 bar)
- Pulse pressure fatigue test: 1 000 000 cycles with pressure from 0 to 5 MPa (50 bar)

### Bypass valve

- Opening pressure 0.35 MPa (3.5 bar) ±10%
- Other opening pressures on request.

### Filter element features

Filter LMP 400-401		Filter element CU	
Δp Element type			
Element media	Construction	Δp Series	Δp
A - Microfiber	Standard	N	20 bar
M - Wire mesh	Standard	N	20 bar
P - Paper	Standard	N	20 bar

*Please see ordering code tables to check element Δp series availability based on filter features.*

**Flow direction through the filter element:**  
From OUT to IN

### Seals

- Standard NBR series A
- Optional FPM series V

### Connections

- LMP 400: In-line Inlet/Outlet
- LMP 401: 90° Inlet/Outlet

### Temperature

From -25 °C to +110 °C

### Note

LMP 400 filters are provided for vertical mounting

## Weights [kg] and volumes [dm<sup>3</sup>]

Filter series	Weights [kg]					Volumes [dm <sup>3</sup> ]						
	Length	2	3	4	5	6	Length	2	3	4	5	6
<b>LMP 400-401</b>		7.20	8.10	8.80	11.90	14.40		3.50	5.00	6.50	9.50	13.50

Flow rates [l/min]

Filter series	Length	Filter element design - N Series							
		A03	A06	A10	A16	A25	M25 M60 M90	P10	P25
LMP 400	2	205	244	370	411	515	720	524	556
	3	280	333	474	515	602	760	637	660
	4	347	400	535	564	637	769	660	688
	5	459	501	610	660	717	781	700	721
	6	504	575	676	689	728	783	708	727
LMP 401	2	200	236	347	382	468	628	475	501
	3	268	315	434	468	537	659	565	582
	4	328	373	484	507	565	665	582	603
	5	423	456	544	582	626	674	613	629
	6	459	516	594	604	634	676	619	633

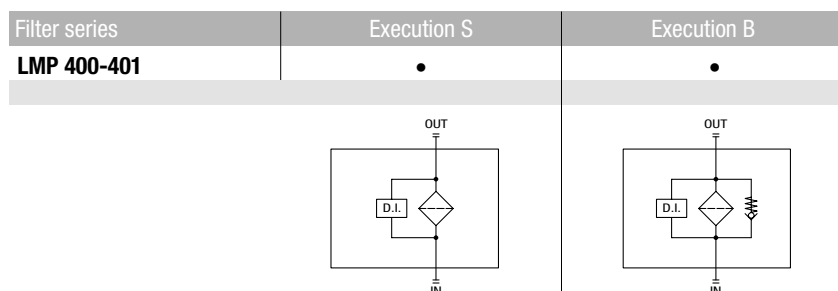
**Maximum flow rate for a complete low and medium pressure filter with a pressure drop  $\Delta p = 0.7$  bar.**

The reference fluid has a kinematic viscosity of 30 mm<sup>2</sup>/s (cSt) and a density of 0.86 kg/dm<sup>3</sup>.

For different pressure drop or fluid viscosity we recommend to use our selection software available on [www.mpfiltri.com](http://www.mpfiltri.com).

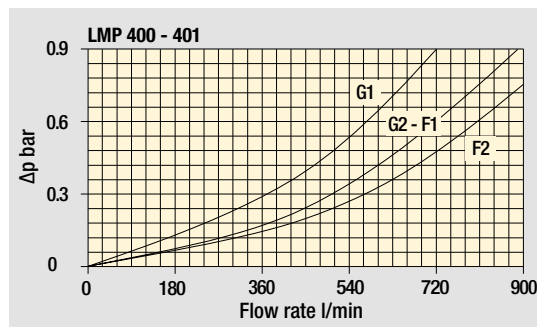
You can also calculate the right size using the formulas present on the FILTER SIZING paragraph at the beginning of the full catalogue or at the beginning of the filter family brochure. Please, contact our Sales Department for further additional information.

Hydraulic symbols

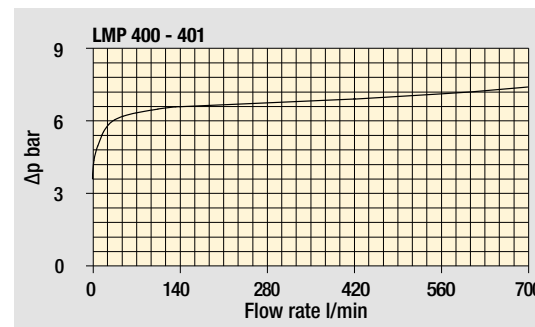


Pressure drop

Filter housings  $\Delta p$  pressure drop



Bypass valve pressure drop



The curves are plotted using mineral oil with density of 0.86 kg/dm<sup>3</sup> in compliance with ISO 3968.  $\Delta p$  varies proportionally with density.

# LMP 400-401

## Designation & Ordering code

### COMPLETE FILTER

Series and size **LMP400 | LMP401** Configuration example: **LMP401** **3** **B** **A** **G1** **A10** **N** **P01**

Length **2** | **3** | **4** | **5** | **6** |

Bypass valve **S** Without bypass **B** With bypass 3.5 bar

Seals and treatments	Filtration rating		
	Axx	Mxx	Pxx
<b>A</b> NBR	•	•	•
<b>V</b> FPM	•	•	•
<b>W</b> NBR with surface-treatment on filter element's tube	•	•	-

Connections

<b>G1</b> G 1 1/2"	<b>F1</b> 2" SAE 3000 psi/M
<b>G2</b> G 2"	<b>F2</b> 2 1/2" SAE 3000 psi/M
<b>G3</b> 1 1/2" NPT	<b>F3</b> 2" SAE 3000 psi/UNC
<b>G4</b> 2" NPT	<b>F4</b> 2 1/2" SAE 3000 psi/UNC
<b>G5</b> SAE 24 - 1 7/8" - 12 UN	
<b>G6</b> SAE 32 - 2 1/2" - 12 UN	

Filtration rating (filter media)	
<b>A03</b> Inorganic microfiber 3 µm	<b>M25</b> Wire mesh 25 µm
<b>A06</b> Inorganic microfiber 6 µm	<b>M60</b> Wire mesh 60 µm
<b>A10</b> Inorganic microfiber 10 µm	<b>M90</b> Wire mesh 90 µm
<b>A16</b> Inorganic microfiber 16 µm	<b>P10</b> Resin impregnated paper 10 µm
<b>A25</b> Inorganic microfiber 25 µm	<b>P25</b> Resin impregnated paper 25 µm
<b>WA025</b> Water absorber inorganic microfiber 25 µm	

Element Δp	Filter length					
	2	3	4	5	6	
<b>N</b> 20 bar						
<b>P01</b> MP Filtri standard	•	•	•	•	•	
<b>P02</b> Maintenance from the bottom of the housing						• •
<b>Pxx</b> Customized						

### FILTER ELEMENT

Element series and size **CU400** Configuration example: **CU400** **3** **A10** **A** **N** **P01**

Element length **2** | **3** | **4** | **5** | **6** |

Filtration rating (filter media)	
<b>A03</b> Inorganic microfiber 3 µm	<b>M25</b> Wire mesh 25 µm
<b>A06</b> Inorganic microfiber 6 µm	<b>M60</b> Wire mesh 60 µm
<b>A10</b> Inorganic microfiber 10 µm	<b>M90</b> Wire mesh 90 µm
<b>A16</b> Inorganic microfiber 16 µm	<b>P10</b> Resin impregnated paper 10 µm
<b>A25</b> Inorganic microfiber 25 µm	<b>P25</b> Resin impregnated paper 25 µm
<b>WA025</b> Water absorber inorganic microfiber 25 µm	

Seals	Filtration rating		
	Axx	Mxx	Pxx
<b>A</b> NBR	•	•	•
<b>V</b> FPM	•	•	•
<b>W</b> NBR with surface-treatment on tube	•	•	-

Element Δp	Execution	
	P01	Pxx
<b>N</b> 20 bar	MP Filtri standard	Customized

### CLOGGING INDICATORS

See page 720

**DEA** Electrical differential pressure indicator

**DEM** Electrical differential pressure indicator

**DEU** Electrical differential pressure indicator

**DLA** Electrical / visual differential pressure indicator

**DLE** Electrical / visual differential pressure indicator

**DTA** Electronic differential pressure indicator

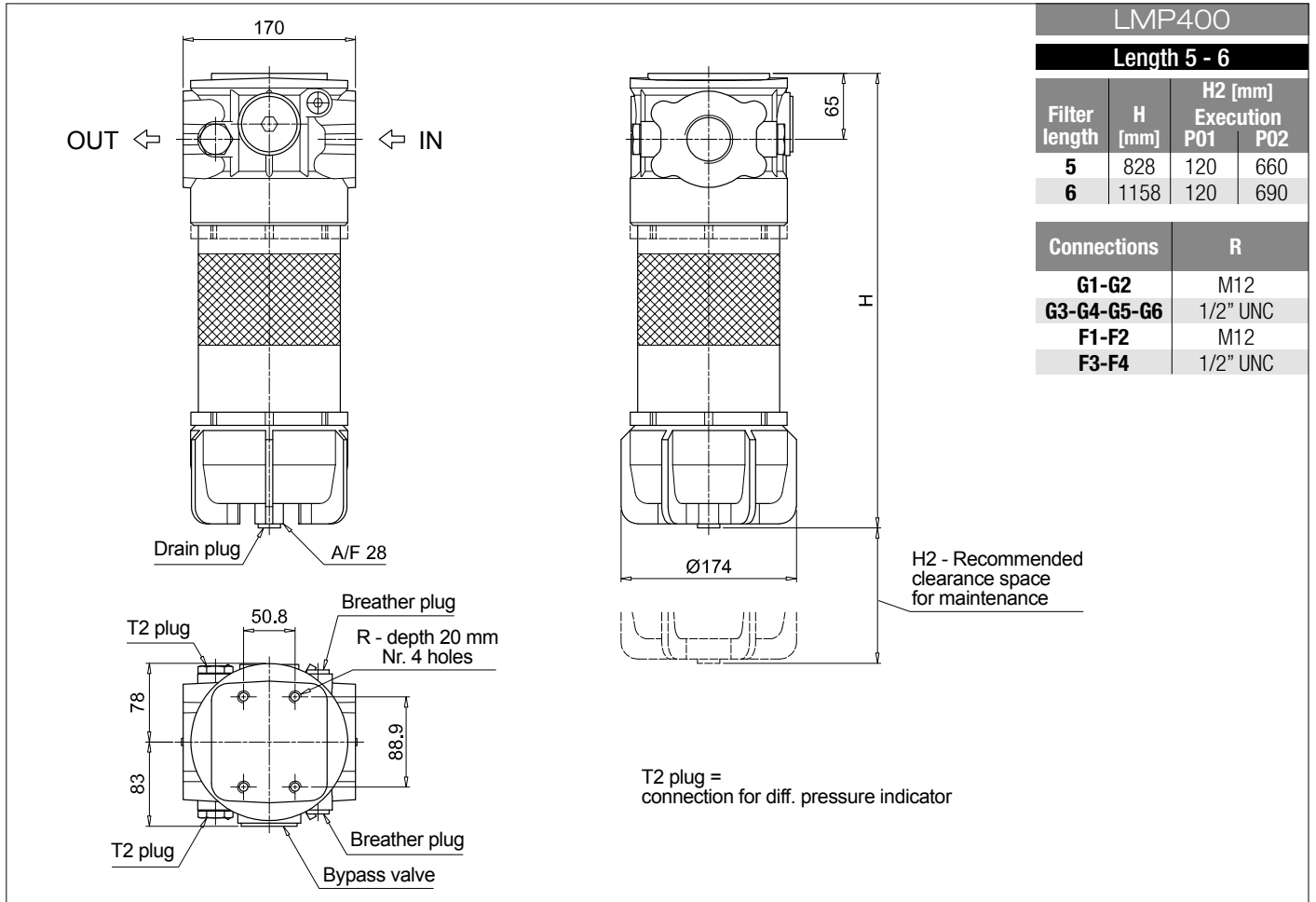
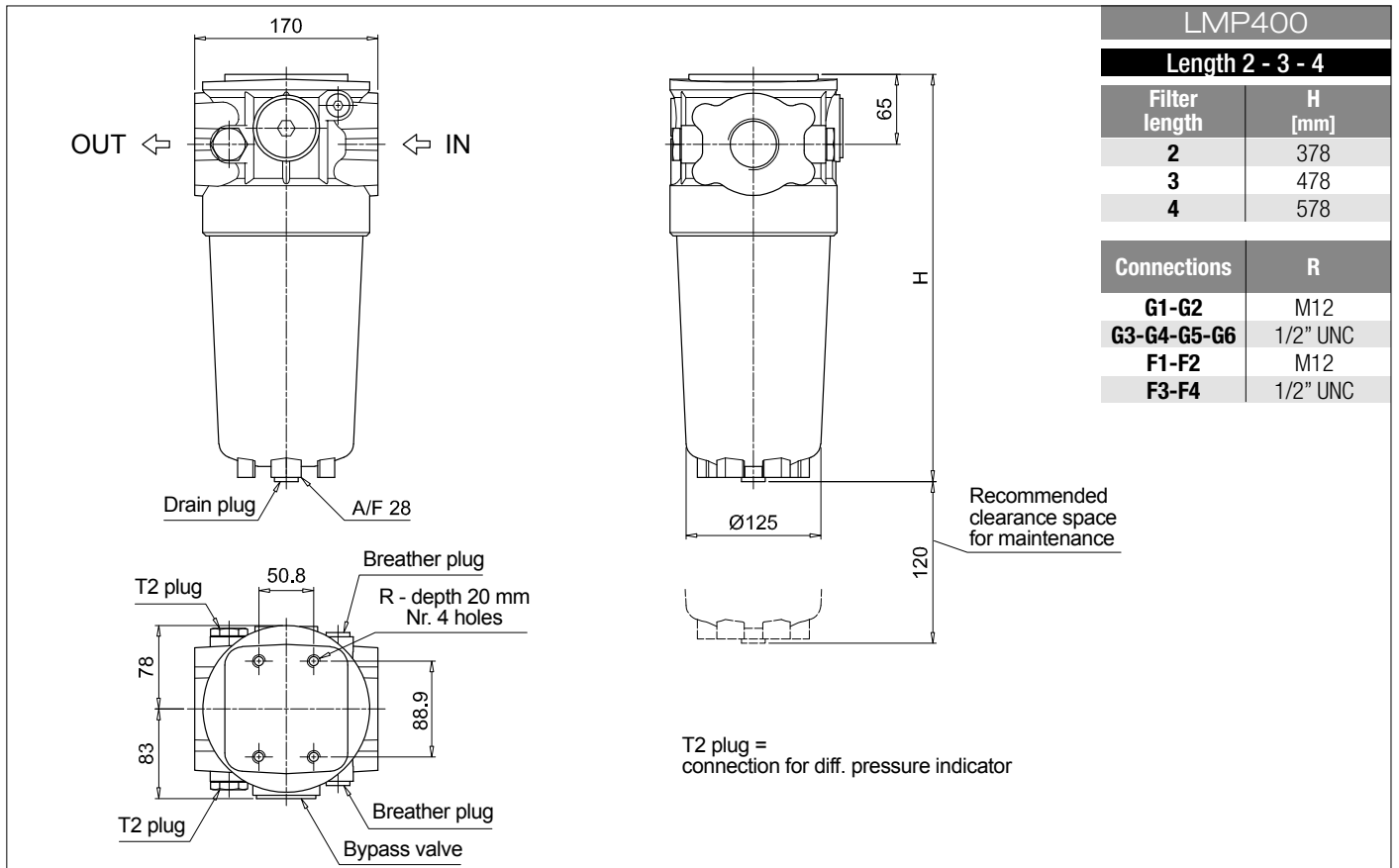
**DVA** Visual differential pressure indicator

**DVM** Visual differential pressure indicator

### PLUGS

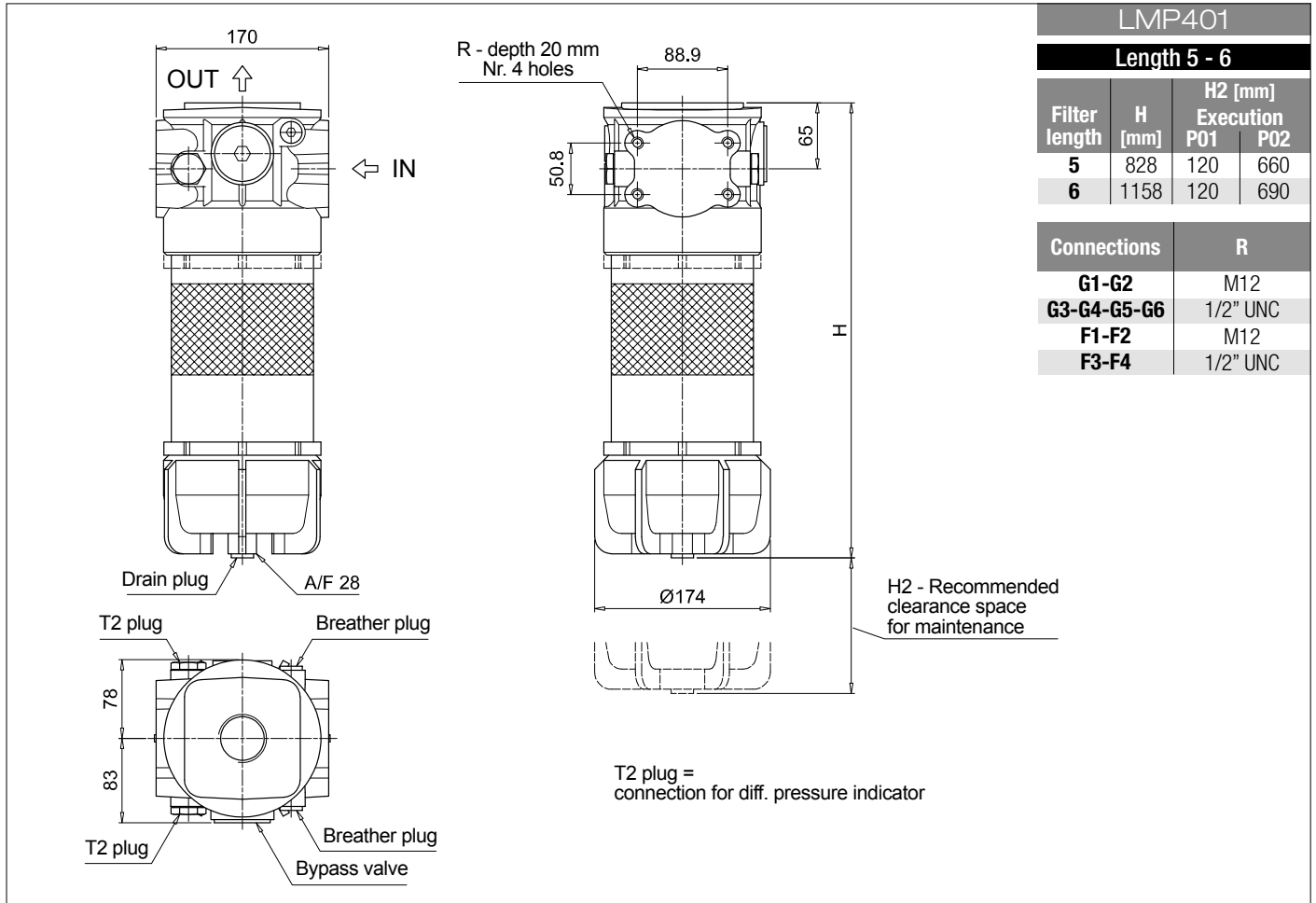
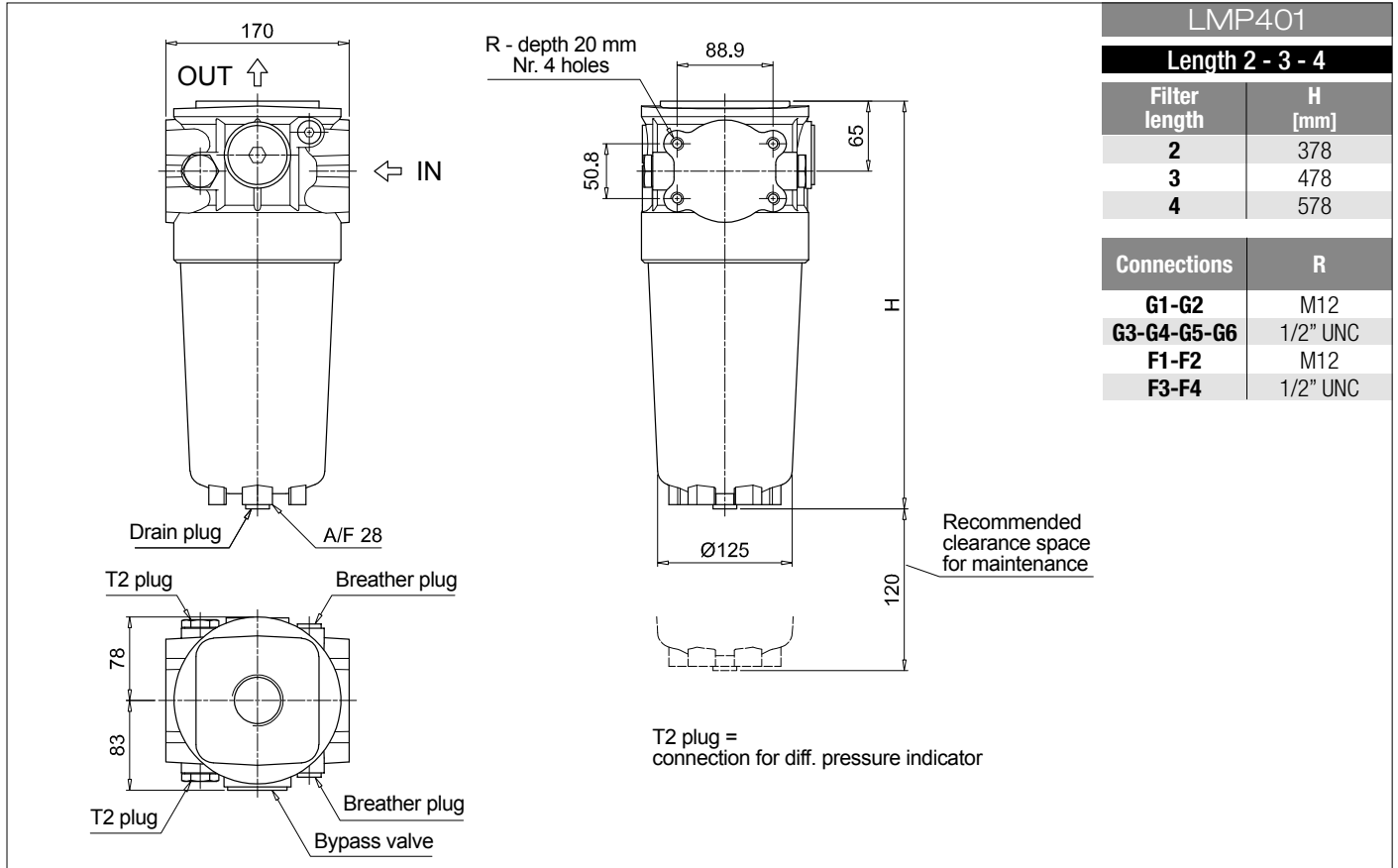
See page 741

**T2** Plug



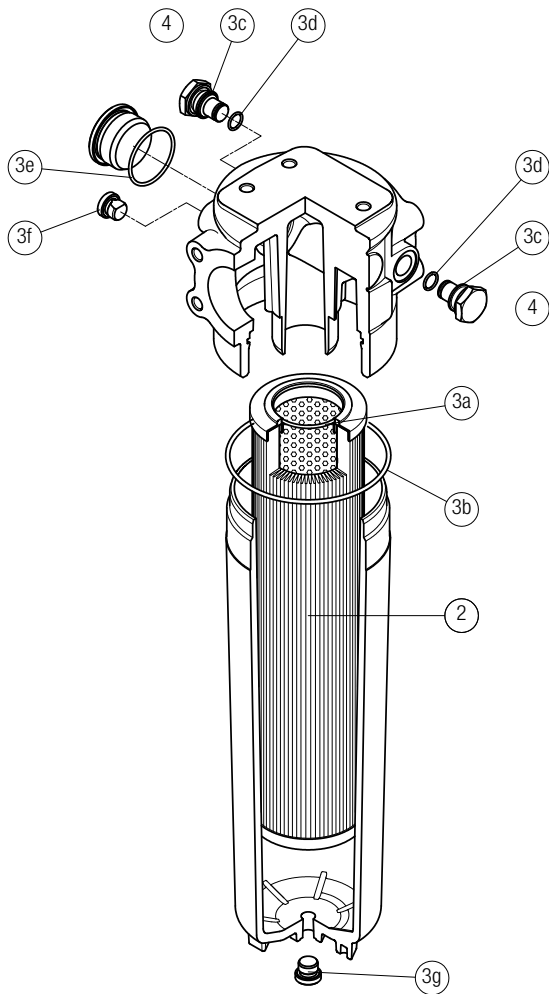
# LMP 400-401

## Dimensions

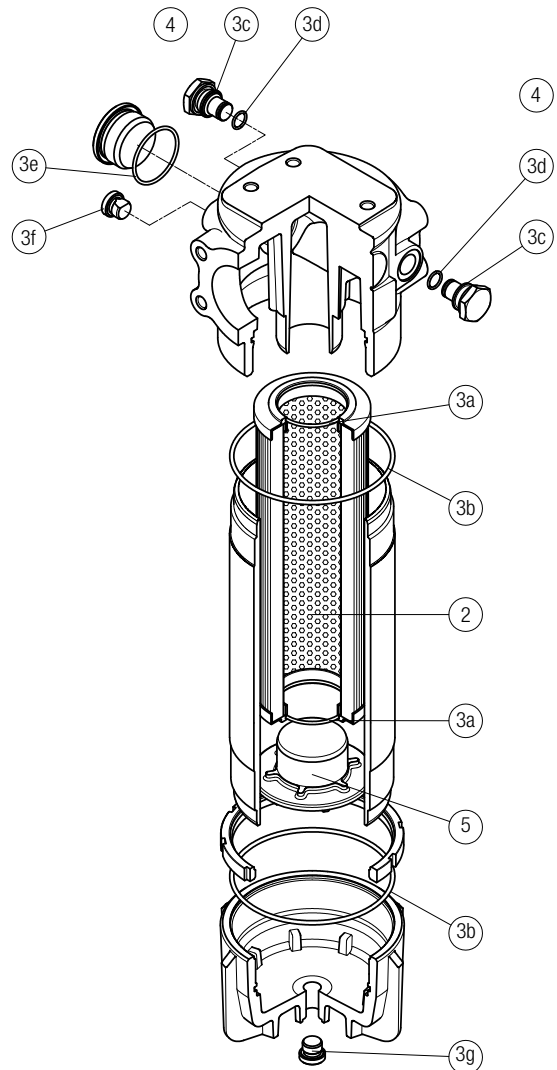


LMP 400 - 401

length 2 - 3 - 4



length 5 - 6



Item:	Q.ty: 1 pc. 2	Q.ty: 1 pc. 3 (3a ÷ 3g)	Q.ty: 2 pcs. 4	Q.ty: 2 pcs. 5
Filter series	Filter element	Seal Kit code number NBR FPM	Indicator connection plug NBR FPM	Housing spigot no bypass
LMP 400-401 length 2-3-4	See order table	02050391 02050392	T2H T2V	-
LMP 400-401 length 5-6		02050393 02050394		01044108

## LubeTeam Hydraulic S.r.l.

*Administration and Headquarter:*

Via Tufara Scautieri, 6

83018 - San Martino Valle Caudina (AV)

*Office and Warehouse:*

S.S. 7 Appia, Km. 237,00

82011 - Airola BN

ITALY

Tel. +39 0823 950 994

Fax +39 0823 412 546

[www.lubeteam.it](http://www.lubeteam.it) [info@lubeteam.it](mailto:info@lubeteam.it)

Italian VAT / C.F. e P.IVA: 01251720627

Follow us



This document is the property of LubeTeam Hydraulic S.r.l. All data reported here are for the exclusive use of the Receiver. Reproduction is not authorized without writing permission, in all or in part of the content of this document, in accordance to Law 633 art. 171, dated April 22, 1941.

Il presente documento è di proprietà della LubeTeam Hydraulic S.r.l. I dati riportati sono per esclusivo del destinatario. La riproduzione, di tutto o in parte, non è autorizzata senza permesso scritto secondo l'art. 171 della L. 633 del 22 Aprile 1941.