



MP Filtri
Indicator plugs



 HYDRAULIC
COMPONENTS
& FLUID CONTAMINATION
CONTROL

PLUGS

**CLOGGING
INDICATORS**



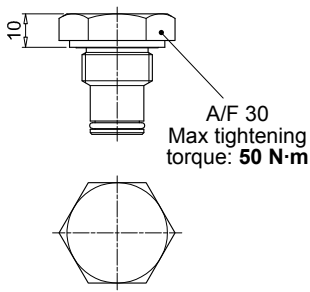


Plugs

| T2 | |
|-------------|---------------|
| Plug | |
| Seal | Ordering code |
| HNBR | T2 H |
| FPM | T2 V |

Materials

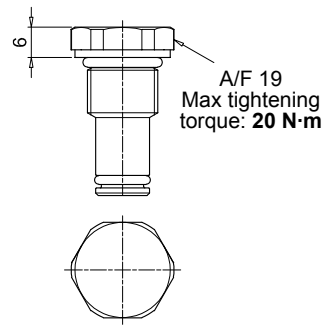
- Body: Phosphatized steel
- Seal: HNBR / FPM



| T4 | |
|-------------|---------------|
| Plug | |
| Seal | Ordering code |
| NBR | T4 A |

Materials

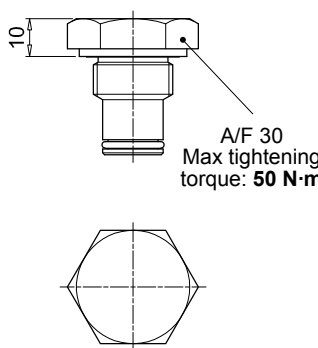
- Body: Anodized aluminium
- Seal: NBR



| X2 | |
|-------------------------------------|---------------|
| Stainless Steel plug 420 bar | |
| Seal | Ordering code |
| HNBR | X2 H |
| FPM | X2 V |
| MFQ | X2 F |

Materials

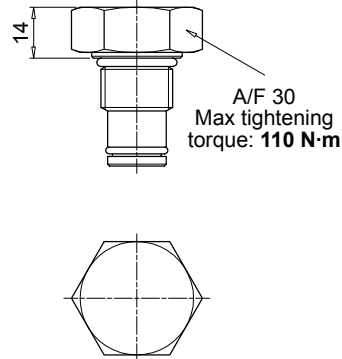
- Body: AISI 316L
- Seal: HNBR / FPM / MFQ



| X3 | |
|--|---------------|
| Stainless Steel plug 700 bar (only for FZH) | |
| Seal | Ordering code |
| HNBR | X3 H |
| FPM | X3 V |
| MFQ | X3 F |

Materials

- Body: AISI 316L
- Seal: HNBR / FPM / MFQ



All data, details and words contained in this publication are provided for use by technically qualified personnel at their discretion, without warranty of any kind.

MP Filtri reserves the right to make modifications to the models and versions of the described products at any time for both technical and/or commercial reasons.

For updated information please visit our website: www.mpfiltri.com

The colors and the pictures of the products are purely indicative.

Any reproduction, partial or total, of this document is strictly forbidden.

All rights are strictly reserved

WORLDWIDE NETWORK

CANADA ● CHINA ● FRANCE ● GERMANY ● INDIA ● SINGAPORE
UNITED ARAB EMIRATES ● UNITED KINGDOM ● USA



PASSION  PERFORM

in @ o f



mpfiltri.com

Scan or click me!

MP Filtri reserves the right to make modifications to the models and ranges of the described products at any time for both technical and/or commercial reasons. For updated information please visit our website www.mpfiltri.com. The colors and the graphics of the products are purely indicative. Any reprint, edition, partial or total, of this document is strictly forbidden. All rights are strictly reserved.

LubeTeam Hydraulic S.r.l.

Administration and Headquarter:

Via Tufara Scautieri, 6

83018 - San Martino Valle Caudina (AV)

Office and Warehouse:

S.S. 7 Appia, Km. 237,00

82011 - Airola BN

ITALY

Tel. +39 0823 950 994

Fax +39 0823 412 546

www.lubeteam.it info@lubeteam.it

Italian VAT / C.F. e P.IVA: 01251720627

Follow us



This document is the property of LubeTeam Hydraulic S.r.l. All data reported here are for the exclusive use of the Receiver. Reproduction is not authorized without writing permission, in all or in part of the content of this document, in accordance to Law 633 art. 171, dated April 22, 1941.

Il presente documento è di proprietà della LubeTeam Hydraulic S.r.l. I dati riportati sono per esclusivo del destinatario. La riproduzione, di tutto o in parte, non è autorizzata senza permesso scritto secondo l'art. 171 della L. 633 del 22 Aprile 1941.